

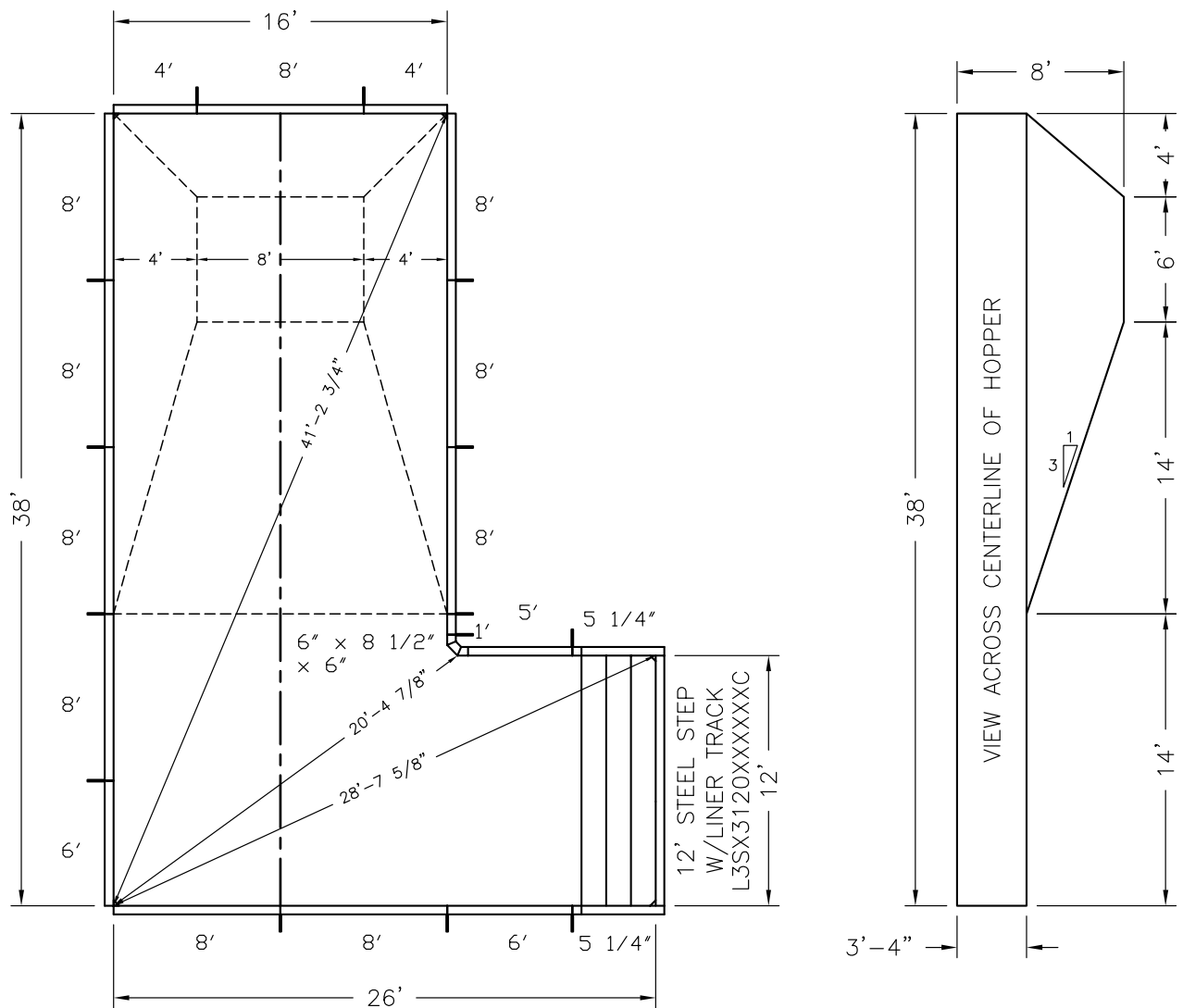


Pool Size: 16' X 38' X 12' X 26'
Pool Shape: TRUE ELL **Approx Gal:** 26,485
Pool Number: 16381226TE - 6 (STEEL L3)

250 Route 61 South, Schuylkill Haven, PA 17972 • 570-385-4733 • fax: 570-385-1318 • CustomerService@CardinalSystemsInc.com

Bill of Materials

PART NO.	QUANTITY	DESCRIPTION
"A" FRAME	14	"A" FRAME ASSEMBLY
CS902SA	3	90 DEG CORNER ANGLE
CS902SB	3	6" RAD CORNER FILLER "BIG VEE"
L3SX3120XXXXXC	1	12' STEEL STEP W/LINER TRACK
5D42060084060	1	6" x 8 1/2" x 6"
5S42052XXX0	2	5 1/4" Straight PANEL W/0 Z
5S42100XXX0	1	1' Straight PANEL W/0 Z
5S42400XXX0	2	4' Straight PANEL W/0 Z
5S42500XXX0	1	5' Straight PANEL W/0 Z
5S42600XXX1	2	6' Straight PANEL W/1 Z
5S42800XXX2	10	8' Straight PANEL W/2 Z



Date: 5/10/2022

Perimeter: 127'-8 1/2"

Drawn By: JESSE H

Area: 728.1 SQ. FT.

Scale: 1/8" = 1'-0"

Notes: - - - -



cardinalpools.com

This Information Is the confidential property of Cardinal Systems, Inc. Disclosure or duplication without proper written approval Is strictly prohibited. Acceptance and use of this drawing constitutes knowledge and acceptance by the user of the terms and conditions set forth in the notice and warning which accompanied this drawing Is Incorporated herein and made part hereof and Is found on Cardinal Systems, Inc's website at www.CardinalSystemsInc.com

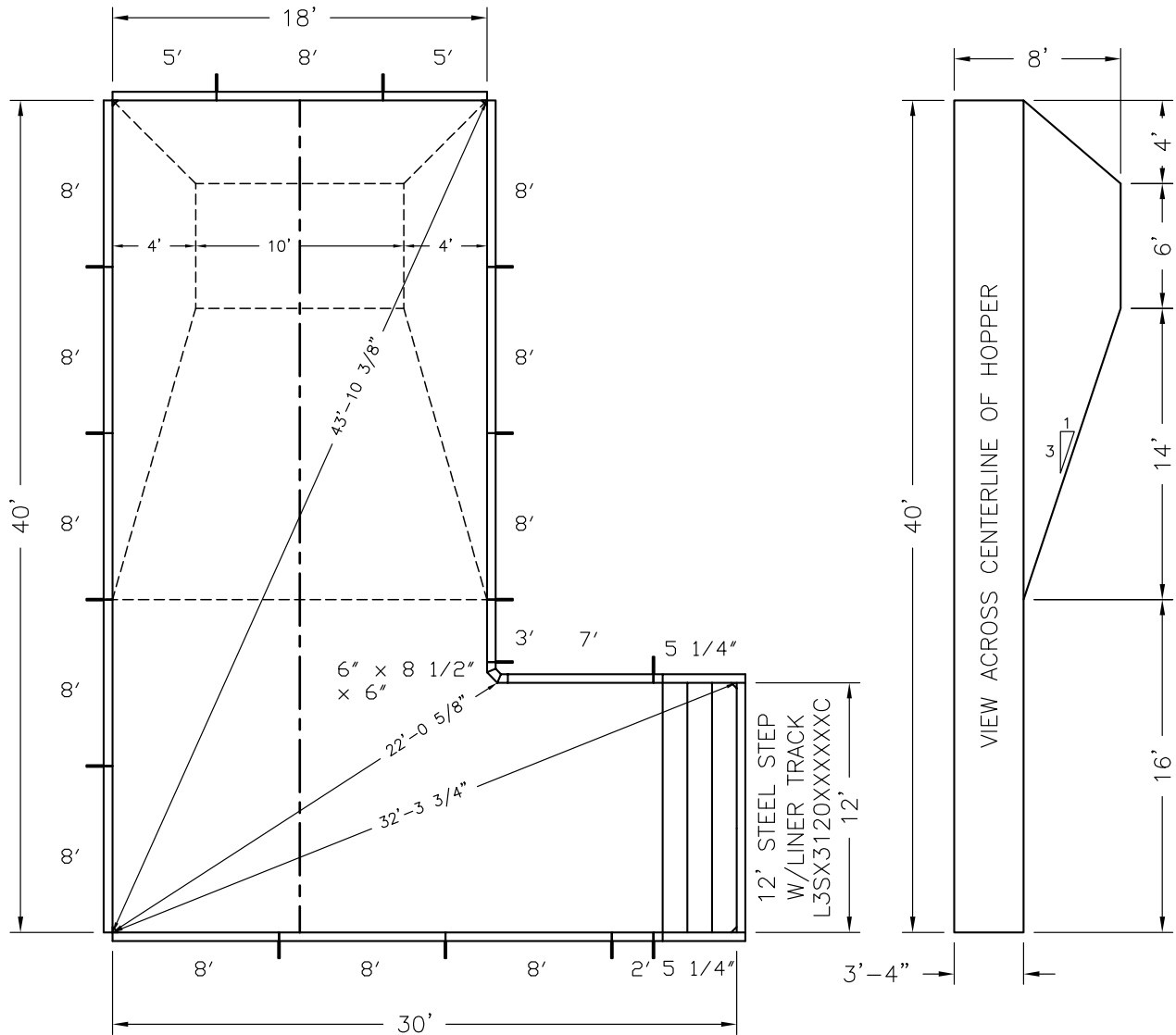



Pool Size: 18' X 40' X 12' X 30'
Pool Shape: TRUE ELL **Approx Gal:** 31,432
Pool Number: 18401230TE - 6 (STEEL L3)

250 Route 61 South, Schuylkill Haven, PA 17972 • 570-385-4733 • fax: 570-385-1318 • CustomerService@CardinalSystemsinc.com

Bill of Materials

PART NO.	QUANTITY	DESCRIPTION
"A" FRAME	15	"A" FRAME ASSEMBLY
CS902SA	3	90 DEG CORNER ANGLE
CS902SB	3	6" RAD CORNER FILLER "BIG VEE"
L3SX3120XXXXXC	1	12' STEEL STEP W/LINER TRACK
5D42060084060	1	6" x 8 1/2" x 6"
5S42052XXX0	2	5 1/4" Straight PANEL W/0 Z
5S42200XXX0	1	2' Straight PANEL W/0 Z
5S42300XXX0	1	3' Straight PANEL W/0 Z
5S42500XXX0	2	5' Straight PANEL W/0 Z
5S42700XXX2	1	7' Straight PANEL W/2 Z
5S42800XXX2	12	8' Straight PANEL W/2 Z



Date: 5/10/2022	Perimeter: 139'-8 1/2"	 <small>cardinalpools.com</small>
Drawn By: JESSE H	Area: 864.1 SQ. FT.	
Scale: 1/8" = 1'-0"	Notes: - - - -	

This information is the confidential property of Cardinal Systems, Inc. Disclosure or duplication without proper written approval is strictly prohibited. Acceptance and use of this drawing constitutes knowledge and acceptance by the user of the terms and conditions set forth in the notice and warning which accompanied this drawing is incorporated herein and made part hereof and is found on Cardinal Systems, Inc.'s website at www.CardinalSystemsInc.com

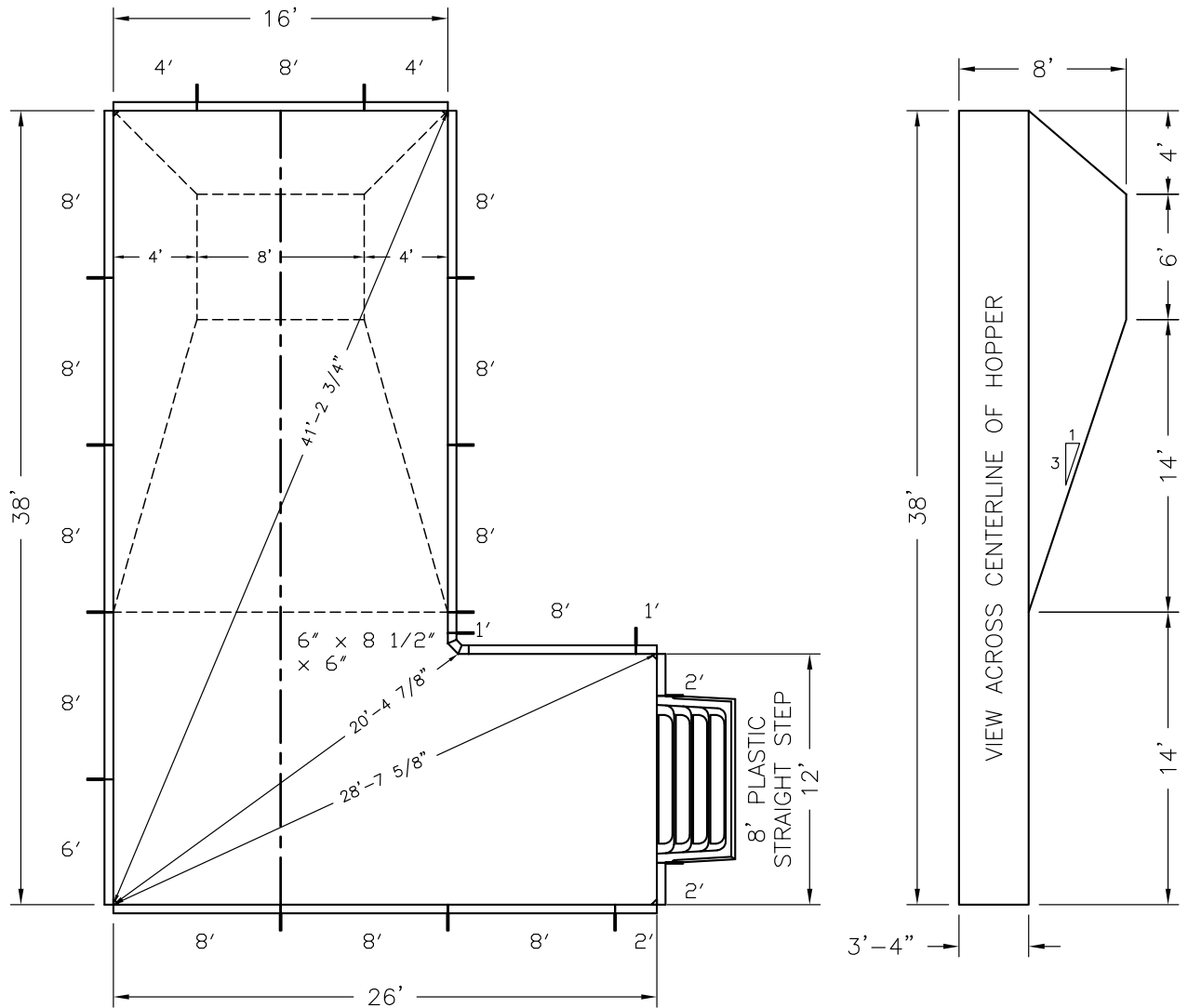



Pool Size: 16' X 38' X 12' X 26'
Pool Shape: TRUE ELL **Approx Gal:** 26,485
Pool Number: 16381226TE – 6 (PLASTIC)

250 Route 61 South, Schuylkill Haven, PA 17972 • 570-385-4733 • fax: 570-385-1318 • CustomerService@CardinalSystemsinc.com

Bill of Materials

PART NO.	QUANTITY	DESCRIPTION
"A" FRAME	16	"A" FRAME ASSEMBLY
CS902SA	5	90 DEG CORNER ANGLE
CS902SB	5	6" RAD CORNER FILLER "BIG VEE"
5D42060084060	1	6" x 8 1/2" x 6"
5S42100XXX0	2	1' Straight PANEL W/0 Z
5S42200XXX0	2	2' Straight PANEL W/0 Z
5S42400XXX0	2	4' Straight PANEL W/0 Z
5S42600XXX1	1	6' Straight PANEL W/1 Z
5S42800XXX2	12	8' Straight PANEL W/2 Z



Date: 5/10/2022	Perimeter: 127' - 8 1/2"	 cardinalpools.com
Drawn By: JESSE H	Area: 728.1 SQ. FT.	
Scale: 1/8" = 1'-0"	Notes: - - - -	

This information is the confidential property of Cardinal Systems, Inc. Disclosure or duplication without proper written approval is strictly prohibited. Acceptance and use of this drawing constitutes knowledge and acceptance by the user of the terms and conditions set forth in the notice and warning which accompanied this drawing is incorporated herein and made part hereof and is found on Cardinal Systems, Inc's website at www.CardinalSystemsInc.com

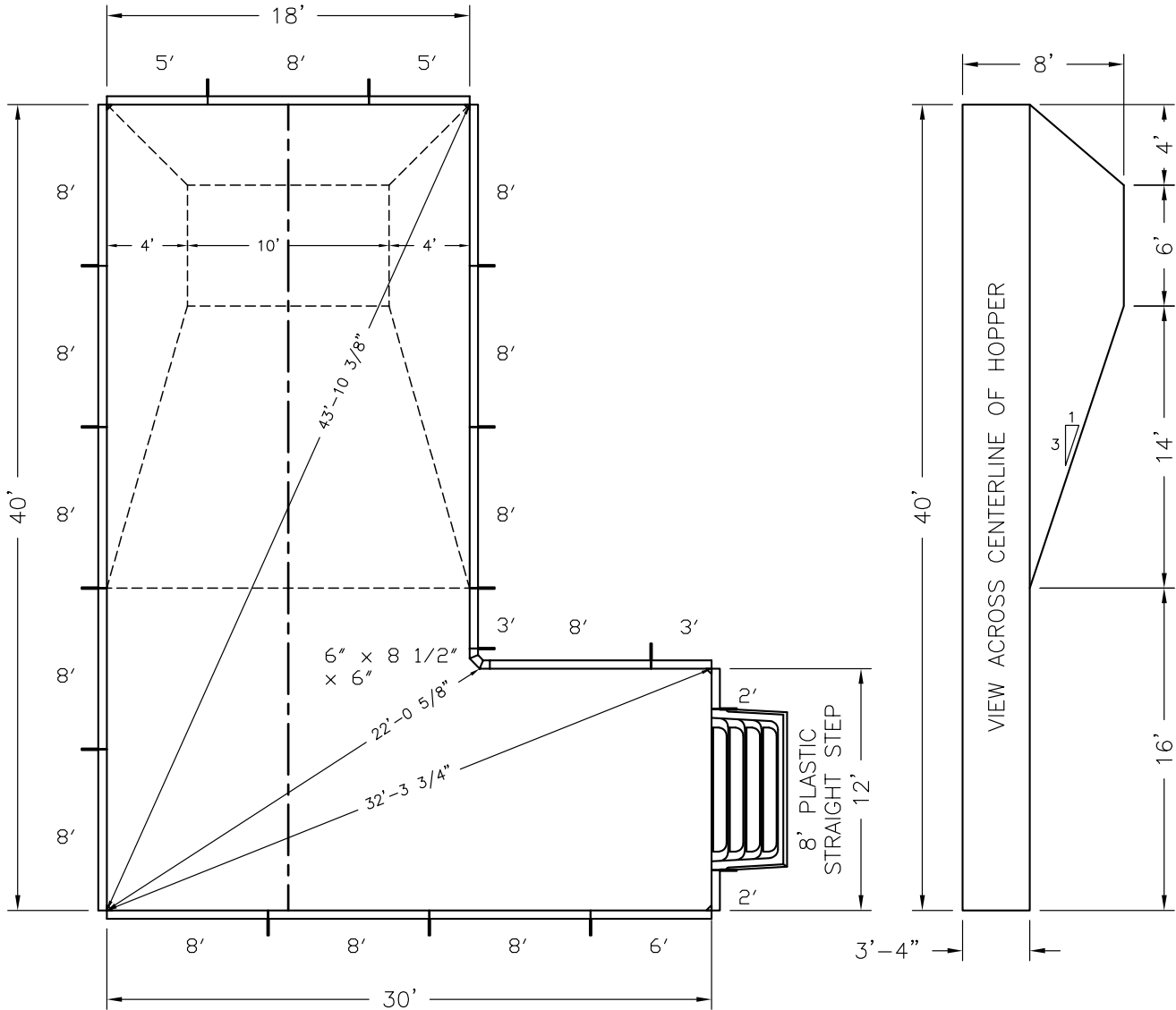


Pool Size: 18' X 40' X 12' X 30'
Pool Shape: TRUE ELL **Approx Gal:** 31,432
Pool Number: 18401230TE - 6 (PLASTIC)

250 Route 61 South, Schuylkill Haven, PA 17972 • 570-385-4733 • fax: 570-385-1318 • CustomerService@CardinalSystemsInc.com

Bill of Materials

PART NO.	QUANTITY	DESCRIPTION
"A" FRAME	16	"A" FRAME ASSEMBLY
CS902SA	5	90 DEG CORNER ANGLE
CS902SB	5	6" RAD CORNER FILLER "BIG VEE"
5D42060084060	1	6" x 8 1/2" x 6"
5S42200XXX0	2	2' Straight PANEL W/0 Z
5S42300XXX0	2	3' Straight PANEL W/0 Z
5S42500XXX0	2	5' Straight PANEL W/0 Z
5S42600XXX1	1	6' Straight PANEL W/1 Z
5S42800XXX2	13	8' Straight PANEL W/2 Z



Date: 5/10/2022

Perimeter: 139' - 8 1/2"

Drawn By: JESSE H

Area: 864.1 SQ. FT.

Scale: 1/8" = 1'-0"

Notes: - - - -



cardinalpools.com

This information is the confidential property of Cardinal Systems, Inc. Disclosure or duplication without proper written approval is strictly prohibited. Acceptance and use of this drawing constitutes knowledge and acceptance by the user of the terms and conditions set forth in the notice and warning which accompanied this drawing is incorporated herein and made part hereof and is found on Cardinal Systems, Inc's website at www.CardinalSystemsInc.com



Pool Size: 16' X 38' X 12' X 26'

Pool Shape: TRUE ELL

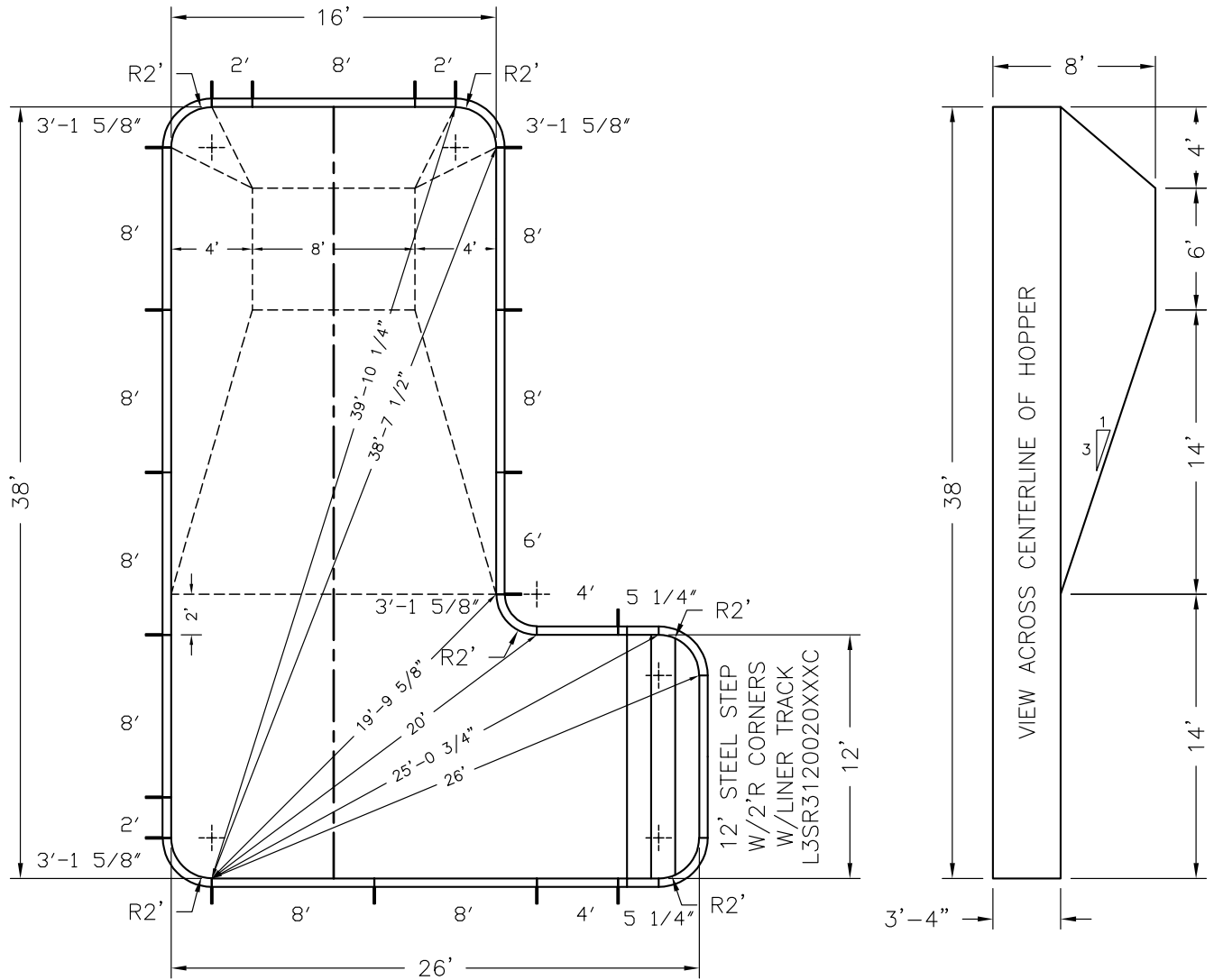
Approx Gal: 31,305

Pool Number: 16381226TE – 2R (STEEL L3)

250 Route 61 South, Schuylkill Haven, PA 17972 • 570-385-4733 • fax: 570-385-1318 • CustomerService@CardinalSystemsInc.com

Bill of Materials

PART NO.	QUANTITY	DESCRIPTION
"A" FRAME	19	"A" FRAME ASSEMBLY
5C42315XX02000	3	2' RADIUS CORNER
5R42315XX02000	1	2' REV. RADIUS PANEL
L3SR3120020XXXC	1	12' STEEL STEP W/2' RADIUS CORNERS W/LINER TRACK
5S42052XXX0	2	5 1/4" Straight PANEL W/0 Z
5S42200XXX0	3	2' Straight PANEL W/0 Z
5S42400XXX0	2	4' Straight PANEL W/0 Z
5S42600XXX1	1	6' Straight PANEL W/1 Z
5S42800XXX2	9	8' Straight PANEL W/2 Z



Date: 5/10/2022	Perimeter: 122'-10 1/4"	
Drawn By: JESSE H	Area: 724.6 SQ. FT.	
Scale: 1/8" = 1'-0"	Notes: - - - -	

This information is the confidential property of Cardinal Systems, Inc. Disclosure or duplication without proper written approval is strictly prohibited. Acceptance and use of this drawing constitutes knowledge and acceptance by the user of the terms and conditions set forth in the notice and warning which accompanied this drawing is incorporated herein and made part hereof and is found on Cardinal Systems, Inc's website at www.CardinalSystemsInc.com

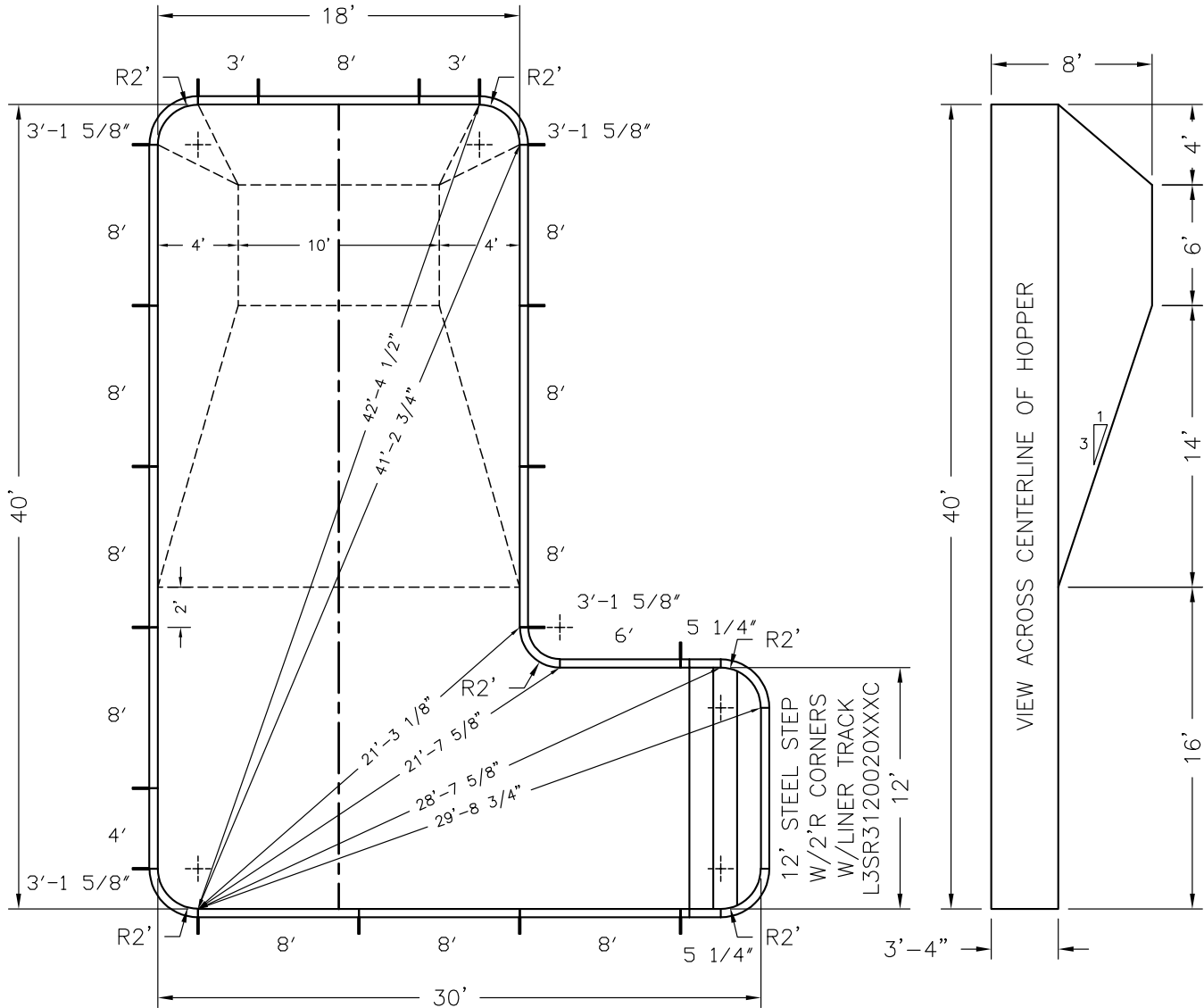



Pool Size: 18' X 40' X 12' X 30'
Pool Shape: TRUE ELL **Approx Gal:** 31,305
Pool Number: 18401230TE - 2R (STEEL L3)

250 Route 61 South, Schuylkill Haven, PA 17972 • 570-385-4733 • fax: 570-385-1318 • CustomerService@CardinalSystemsinc.com

Bill of Materials

PART NO.	QUANTITY	DESCRIPTION
"A" FRAME	19	"A" FRAME ASSEMBLY
5C42315XX02000	3	2' RADIUS CORNER
5R42315XX02000	1	2' REV. RADIUS PANEL
L3SR3120020XXXX	1	12' STEEL STEP W/2' RADIUS CORNERS W/LINER TRACK
5S42052XXX0	2	5 1/4" Straight PANEL W/0 Z
5S42300XXX0	2	3' Straight PANEL W/0 Z
5S42400XXX0	1	4' Straight PANEL W/0 Z
5S42600XXX1	1	6' Straight PANEL W/1 Z
5S42800XXX2	11	8' Straight PANEL W/2 Z



Date: 5/10/2022	Perimeter: 134'-10 1/4"	 cardinalpools.com
Drawn By: JESSE H	Area: 860.6 SQ. FT.	
Scale: 1/8" = 1'-0"	Notes: - - - -	

This information is the confidential property of Cardinal Systems, Inc. Disclosure or duplication without proper written approval is strictly prohibited. Acceptance and use of this drawing constitutes knowledge and acceptance by the user of the terms and conditions set forth in the notice and warning which accompanied this drawing is incorporated herein and made part hereof and is found on Cardinal Systems, Inc's website at www.CardinalSystemsInc.com

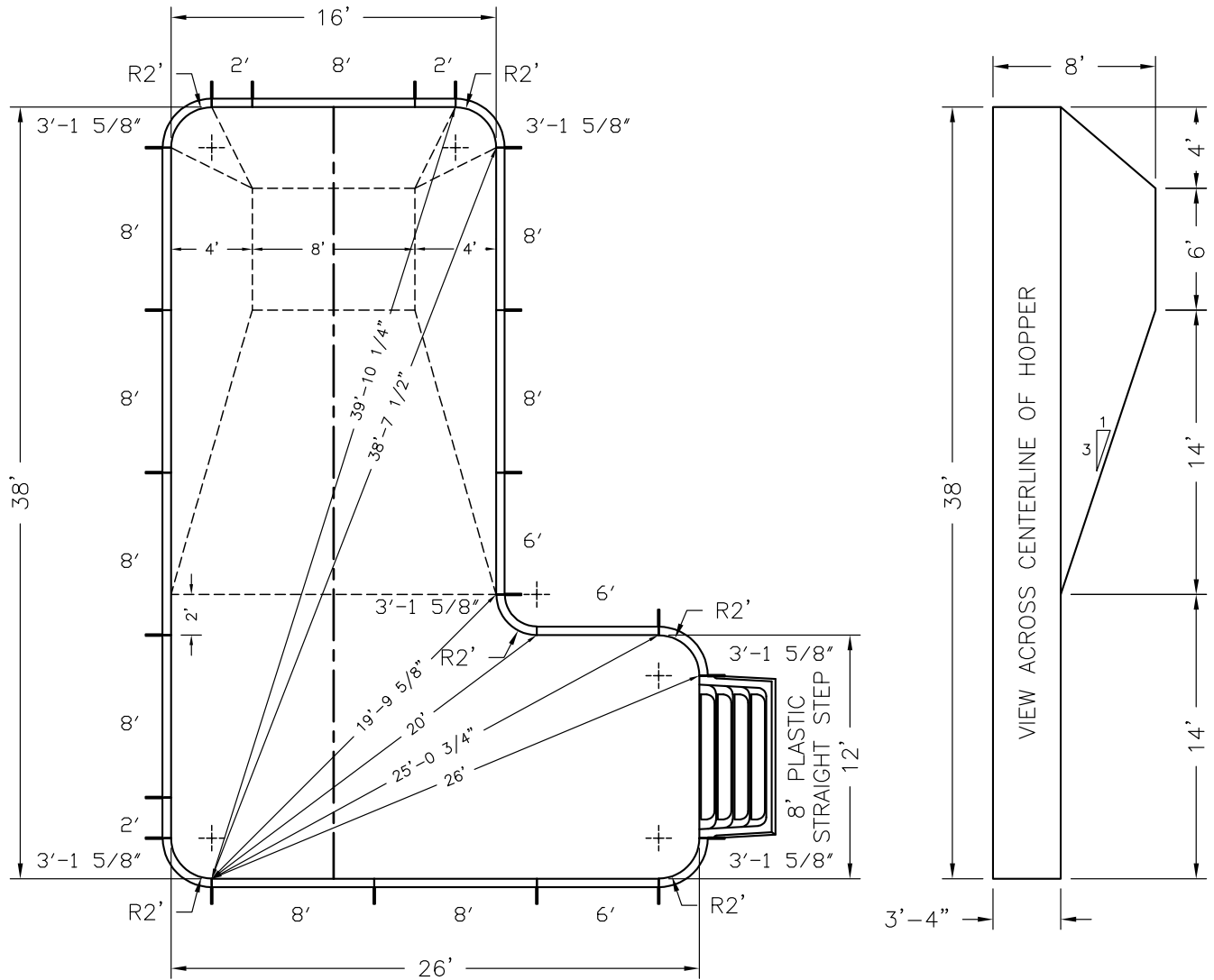



Pool Size: 16' X 38' X 12' X 26'
Pool Shape: TRUE ELL **Approx Gal:** 26,358
Pool Number: 16381226TE – 2R (PLASTIC)

250 Route 61 South, Schuylkill Haven, PA 17972 • 570-385-4733 • fax: 570-385-1318 • CustomerService@CardinalSystemsInc.com

Bill of Materials

PART NO.	QUANTITY	DESCRIPTION
"A" FRAME	21	"A" FRAME ASSEMBLY
5C42315XX02000	5	2' RADIUS CORNER
5R42315XX02000	1	2' REV. RADIUS PANEL
5S42200XXX0	3	2' Straight PANEL W/0 Z
5S42600XXX1	3	6' Straight PANEL W/1 Z
5S42800XXX2	9	8' Straight PANEL W/2 Z



Date: 5/10/2022	Perimeter: 122'-10 1/4"	 cardinalpools.com
Drawn By: JESSE H	Area: 724.6 SQ. FT.	
Scale: 1/8" = 1'-0"	Notes: - - - -	

This information is the confidential property of Cardinal Systems, Inc. Disclosure or duplication without proper written approval is strictly prohibited. Acceptance and use of this drawing constitutes knowledge and acceptance by the user of the terms and conditions set forth in the notice and warning which accompanied this drawing is incorporated herein and made part hereof and is found on Cardinal Systems, Inc's website at www.CardinalSystemsInc.com

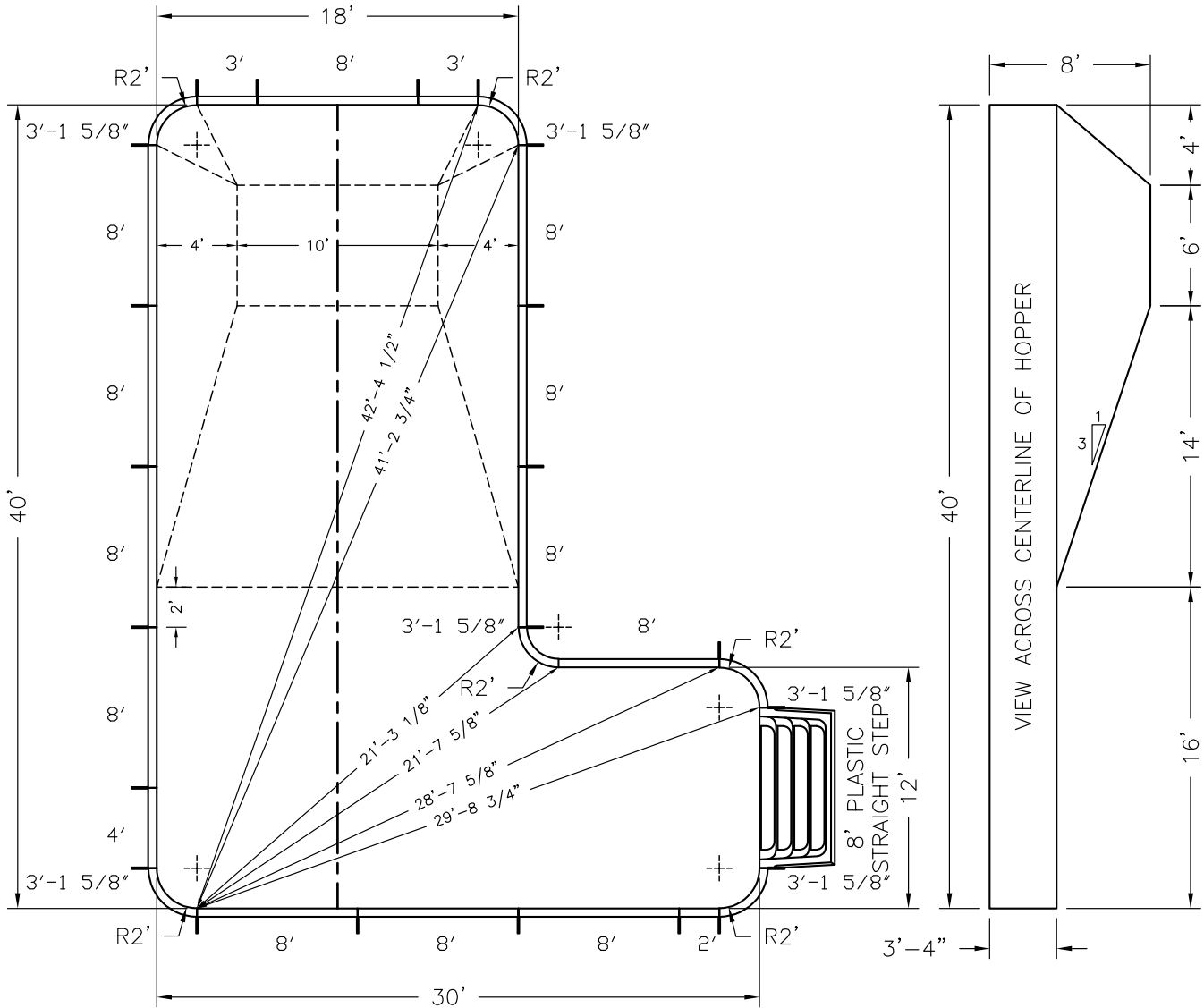


Pool Size: 18' X 40' X 12' X 30'
Pool Shape: TRUE ELL **Approx Gal:** 31,305
Pool Number: 18401230TE – 2R (PLASTIC)

250 Route 61 South, Schuylkill Haven, PA 17972 • 570-385-4733 • fax: 570-385-1318 • CustomerService@CardinalSystemsinc.com

Bill of Materials

PART NO.	QUANTITY	DESCRIPTION
"A" FRAME	22	"A" FRAME ASSEMBLY
5C42315XX02000	5	2' RADIUS CORNER
5R42315XX02000	1	2' REV. RADIUS PANEL
5S42200XXX0	1	2' Straight PANEL W/0 Z
5S42300XXX0	2	3' Straight PANEL W/0 Z
5S42400XXX0	1	4' Straight PANEL W/0 Z
5S42800XXX2	12	8' Straight PANEL W/2 Z



Date: 5/10/2022

Perimeter: 134' - 10 1/4"

Drawn By: JESSE H

Area: 860.6 SQ. FT.

Scale: 1/8" = 1'-0"

Notes: - - - -



cardinalpools.com

This information is the confidential property of Cardinal Systems, Inc. Disclosure or duplication without proper written approval is strictly prohibited. Acceptance and use of this drawing constitutes knowledge and acceptance by the user of the terms and conditions set forth in the notice and warning which accompanied this drawing is incorporated herein and made part hereof and is found on Cardinal Systems, Inc's website at www.CardinalSystemsInc.com



Pool Size: 16' X 38' X 12' X 26'

Pool Shape: TRUE ELL

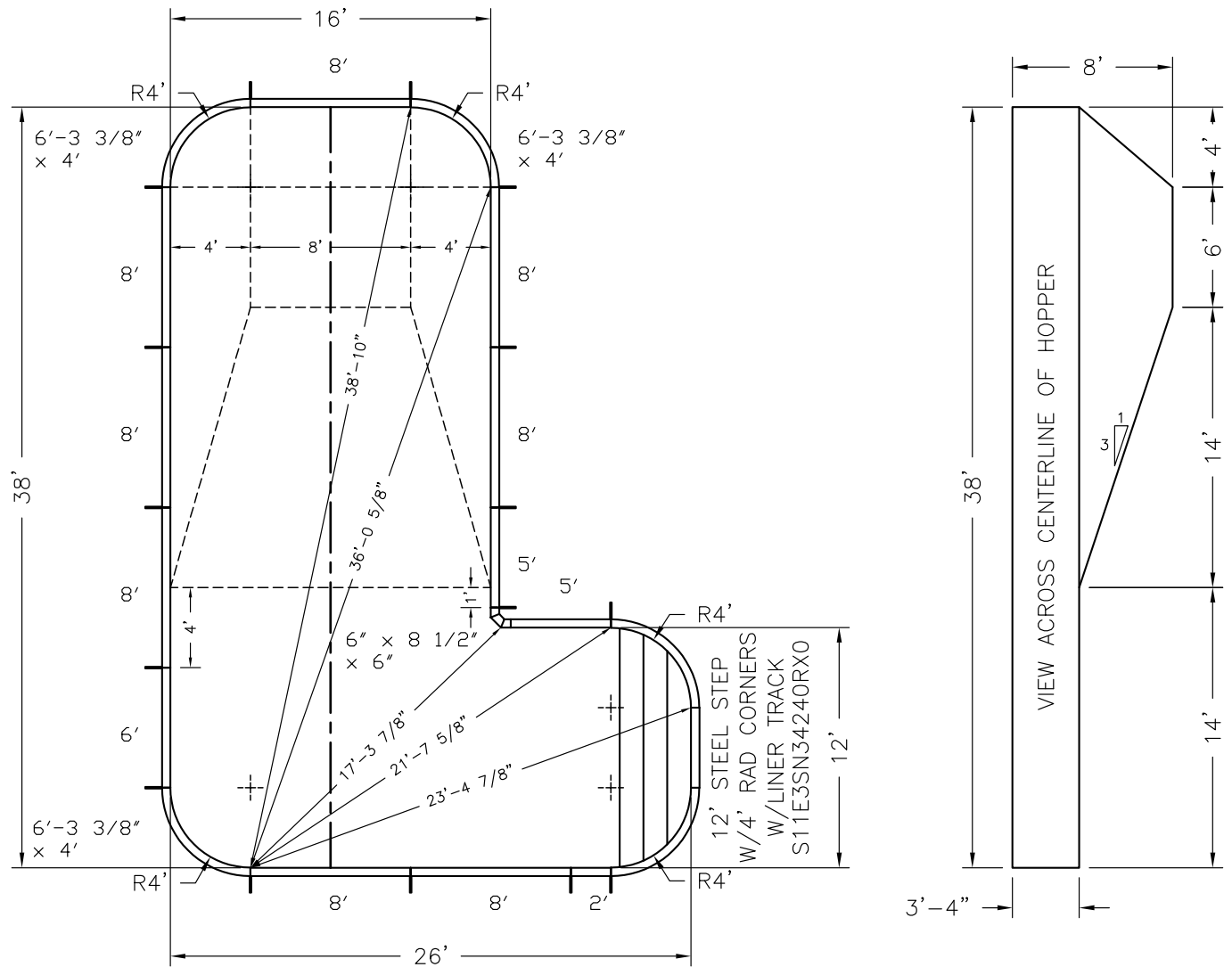
Approx Gal: 25,863


Pool Number: 16381226TE – 4R (STEEL)

250 Route 61 South, Schuylkill Haven, PA 17972 • 570-385-4733 • fax: 570-385-1318 • CustomerService@CardinalSystemsinc.com

Bill of Materials

PART NO.	QUANTITY	DESCRIPTION
"A" FRAME	16	"A" FRAME ASSEMBLY
S11E3SN34240RX0	1	12' STEEL STEP W/4' RADIUS CORNERS W/LINER TRACK
5D42060084060	1	6" x 8 1/2" x 6"
5C42633XX04000	3	6'-3 3/8" x 4' Radius C PANEL W/0 Z
5S42200XXX0	1	2' Straight PANEL W/0 Z
5S42500XXX0	2	5' Straight PANEL W/0 Z
5S42600XXX1	1	6' Straight PANEL W/1 Z
5S42800XXX2	8	8' Straight PANEL W/2 Z



Date: 5/10/2022	Perimeter: 119'-1 1/2"	 cardinalpools.com
Drawn By: JESSE H	Area: 711.0 SQ. FT.	
Scale: 1/8" = 1'-0"	Notes: -----	

This Information Is the confidential property of Cardinal Systems, Inc. Disclosure or duplication without proper written approval Is strictly prohibited. Acceptance and use of this drawing constitutes knowledge and acceptance by the user of the terms and conditions set forth In the notice and warning which accompanied this drawing Is Incorporated herein and made part hereof and Is found on Cardinal Systems, Inc's website at www.CardinalSystemsInc.com



Pool Size: 18' X 40' X 12' X 30'

Pool Shape: TRUE ELL

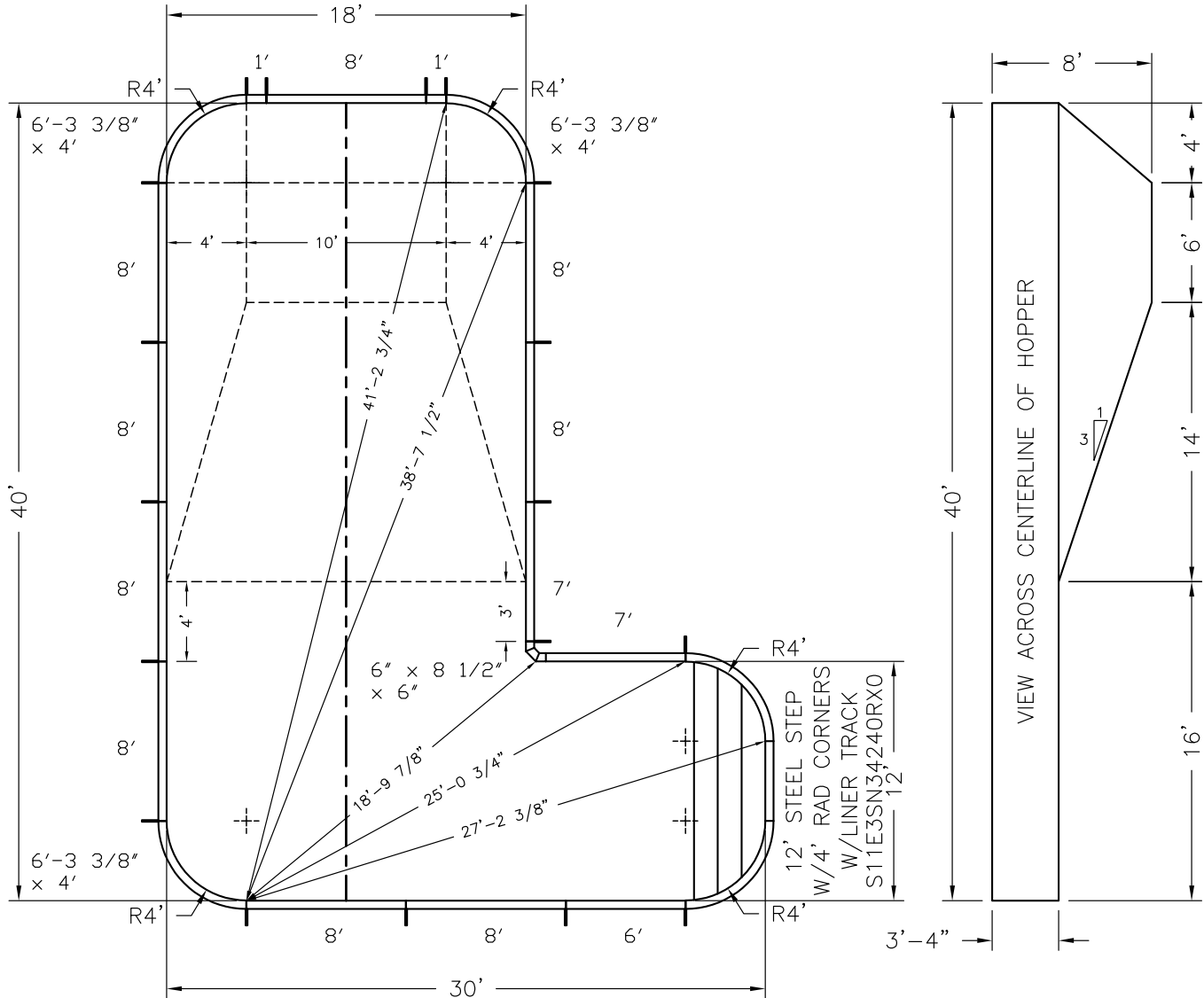
Approx Gal: 30,810


Pool Number: 18401230TE – 4R (STEEL)

250 Route 61 South, Schuylkill Haven, PA 17972 • 570-385-4733 • fax: 570-385-1318 • CustomerService@CardinalSystemsinc.com

Bill of Materials

PART NO.	QUANTITY	DESCRIPTION
"A" FRAME	18	"A" FRAME ASSEMBLY
S11E3SN34240RX0	1	12' STEEL STEP W/4' RADIUS CORNERS W/LINER TRACK
5D42060084060	1	6" x 8 1/2" x 6"
5C42633XX04000	3	6'-3 3/8" x 4" Radius C PANEL W/0 Z
5S42100XXX0	2	1' Straight PANEL W/0 Z
5S42600XXX1	1	6' Straight PANEL W/1 Z
5S42700XXX2	2	7' Straight PANEL W/2 Z
5S42800XXX2	9	8' Straight PANEL W/2 Z



Date: 5/10/2022	Perimeter: 131'-1 1/2"	 <small>cardinalpools.com</small>
Drawn By: JESSE H	Area: 847.0 SQ. FT.	
Scale: 1/8" = 1'-0"	Notes: -----	

This information is the confidential property of Cardinal Systems, Inc. Disclosure or duplication without proper written approval is strictly prohibited. Acceptance and use of this drawing constitutes knowledge and acceptance by the user of the terms and conditions set forth in the notice and warning which accompanied this drawing is incorporated herein and made part hereof and is found on Cardinal Systems, Inc's website at www.CardinalSystemsInc.com



Pool Size: 16' X 38' X 12' X 26'

Pool Shape: TRUE ELL

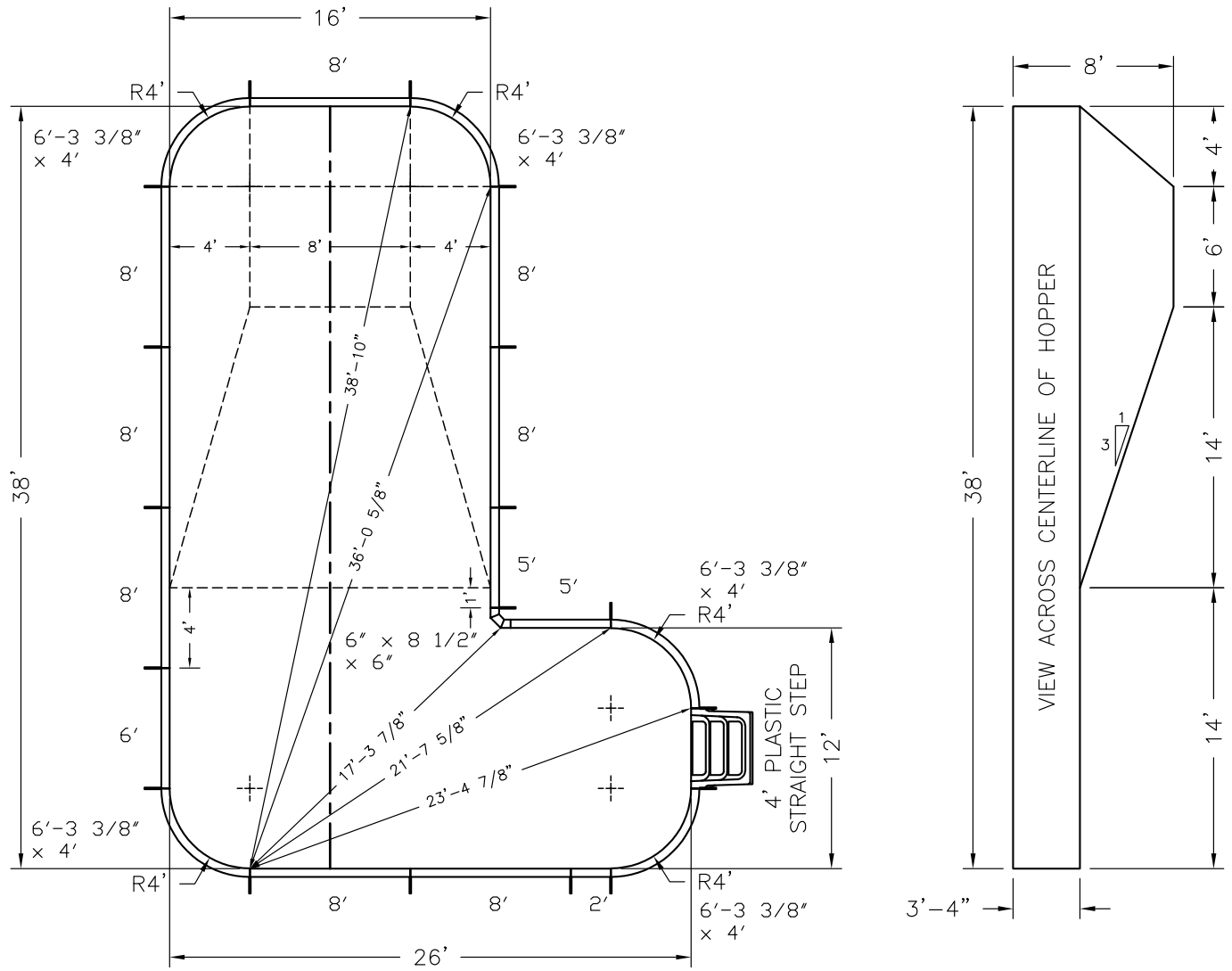
Approx Gal: 25,863


Pool Number: 16381226TE – 4R (PLASTIC)

250 Route 61 South, Schuylkill Haven, PA 17972 • 570-385-4733 • fax: 570-385-1318 • CustomerService@CardinalSystemsinc.com

Bill of Materials

PART NO.	QUANTITY	DESCRIPTION
"A" FRAME	18	"A" FRAME ASSEMBLY
5D42060084060	1	6" x 8 1/2" x 6"
5C42633XX04000	5	6'-3 3/8" x 4' Radius C PANEL W/0 Z
5S42200XXX0	1	2' Straight PANEL W/0 Z
5S42500XXX0	2	5' Straight PANEL W/0 Z
5S42600XXX1	1	6' Straight PANEL W/1 Z
5S42800XXX2	8	8' Straight PANEL W/2 Z



Date: 5/10/2022	Perimeter: 119'-1 1/2"	 cardinalpools.com
Drawn By: JESSE H	Area: 711.0 SQ. FT.	
Scale: 1/8" = 1'-0"	Notes: -----	

This information is the confidential property of Cardinal Systems, Inc. Disclosure or duplication without proper written approval is strictly prohibited. Acceptance and use of this drawing constitutes knowledge and acceptance by the user of the terms and conditions set forth in the notice and warning which accompanied this drawing is incorporated herein and made part hereof and is found on Cardinal Systems, Inc's website at www.CardinalSystemsInc.com

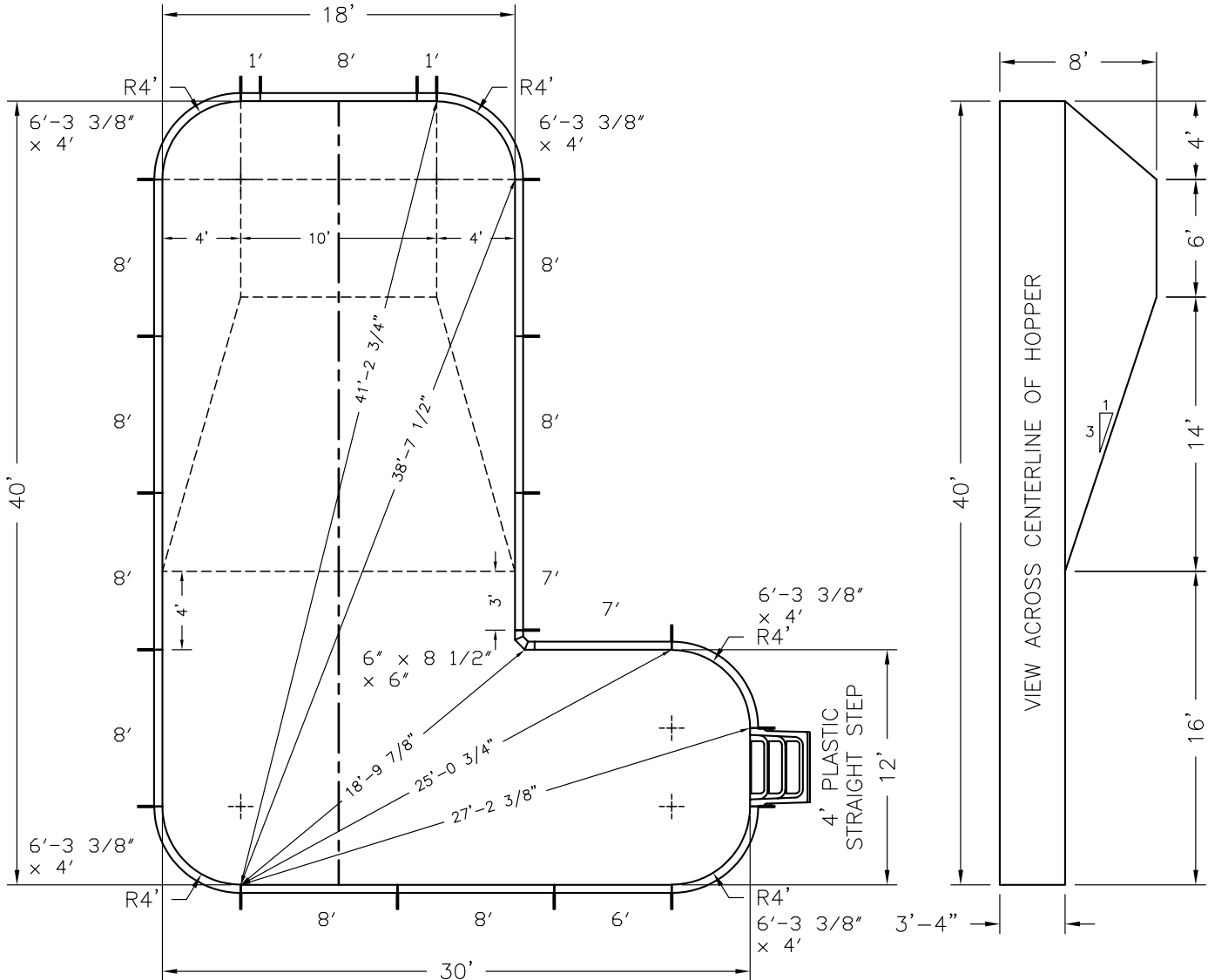


Pool Size: 18' X 40' X 12' X 30'
Pool Shape: TRUE ELL **Approx Gal:** 30,810
Pool Number: 18401230TE - 4R (PLASTIC)

250 Route 61 South, Schuylkill Haven, PA 17972 • 570-385-4733 • fax: 570-385-1318 • CustomerService@CardinalSystemsinc.com

Bill of Materials

PART NO.	QUANTITY	DESCRIPTION
"A" FRAME	20	"A" FRAME ASSEMBLY
5D42060084060	1	6" x 8 1/2" x 6"
5C42633XX04000	5	6'-3 3/8" x 4" Radius C PANEL w/0 Z
5S42100XXX0	2	1' Straight PANEL w/0 Z
5S42600XXX1	1	6' Straight PANEL w/1 Z
5S42700XXX2	2	7' Straight PANEL w/2 Z
5S42800XXX2	9	8' Straight PANEL w/2 Z



Date: 5/10/2022	Perimeter: 131'-1 1/2"	
Drawn By: JESSE H	Area: 847.0 SQ. FT.	
Scale: 1/8" = 1'-0"	Notes: -----	

This information is the confidential property of Cardinal Systems, Inc. Disclosure or duplication without proper written approval is strictly prohibited. Acceptance and use of this drawing constitutes knowledge and acceptance by the user of the terms and conditions set forth in the notice and warning which accompanied this drawing is incorporated herein and made part hereof and is found on Cardinal Systems, Inc.'s website at www.CardinalSystemsInc.com

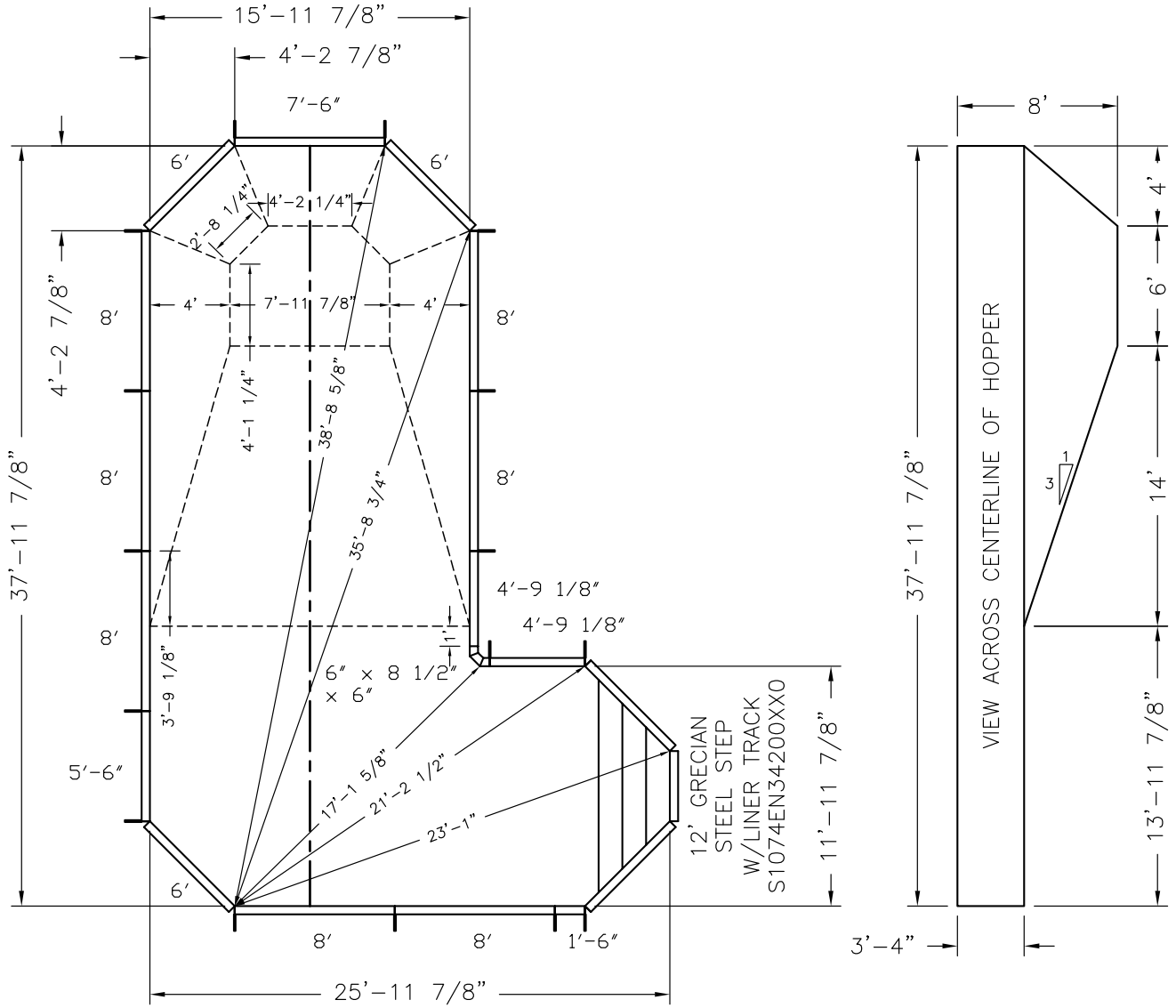


Pool Size: 16' X 38' X 12' X 26'
Pool Shape: TRUE ELL GRECIAN **Approx Gal:** 24,816
Pool Number: 16381226TEGREC – (STEEL)

250 Route 61 South, Schuylkill Haven, PA 17972 • 570-385-4733 • fax: 570-385-1318 • CustomerService@CardinalSystemsinc.com

Bill of Materials

PART NO.	QUANTITY	DESCRIPTION
"A" FRAME	16	"A" FRAME ASSEMBLY
CS901GC	8	GRECIAN CORNER ANGLE
S1074EN34200XX0	1	12' GRECIAN STEEL STEP W/LINER TRACK
5D42060084060	1	6" x 8 1/2" x 6"
5S421600XXX0	1	1'-6" Straight PANEL W/0 Z
5S42491XXX0	2	4'-9 1/8" Straight PANEL W/0 Z
5S42560XXX1	1	5'-6" Straight PANEL W/1 Z
5S42600XXX1	3	6" Straight PANEL W/1 Z
5S42760XXX2	1	7'-6" Straight PANEL W/2 Z
5S42800XXX2	7	8" Straight PANEL W/2 Z



Date: 5/10/2022	Perimeter: 115'-2 5/8"
Drawn By: JESSE H	Area: 682.2 SQ. FT.
Scale: 1/8" = 1'-0"	Notes: -----



This information is the confidential property of Cardinal Systems, Inc. Disclosure or duplication without proper written approval is strictly prohibited. Acceptance and use of this drawing constitutes knowledge and acceptance by the user of the terms and conditions set forth in the notice and warning which accompanied this drawing is incorporated herein and made part hereof and is found on Cardinal Systems, Inc's website at www.CardinalSystemsInc.com

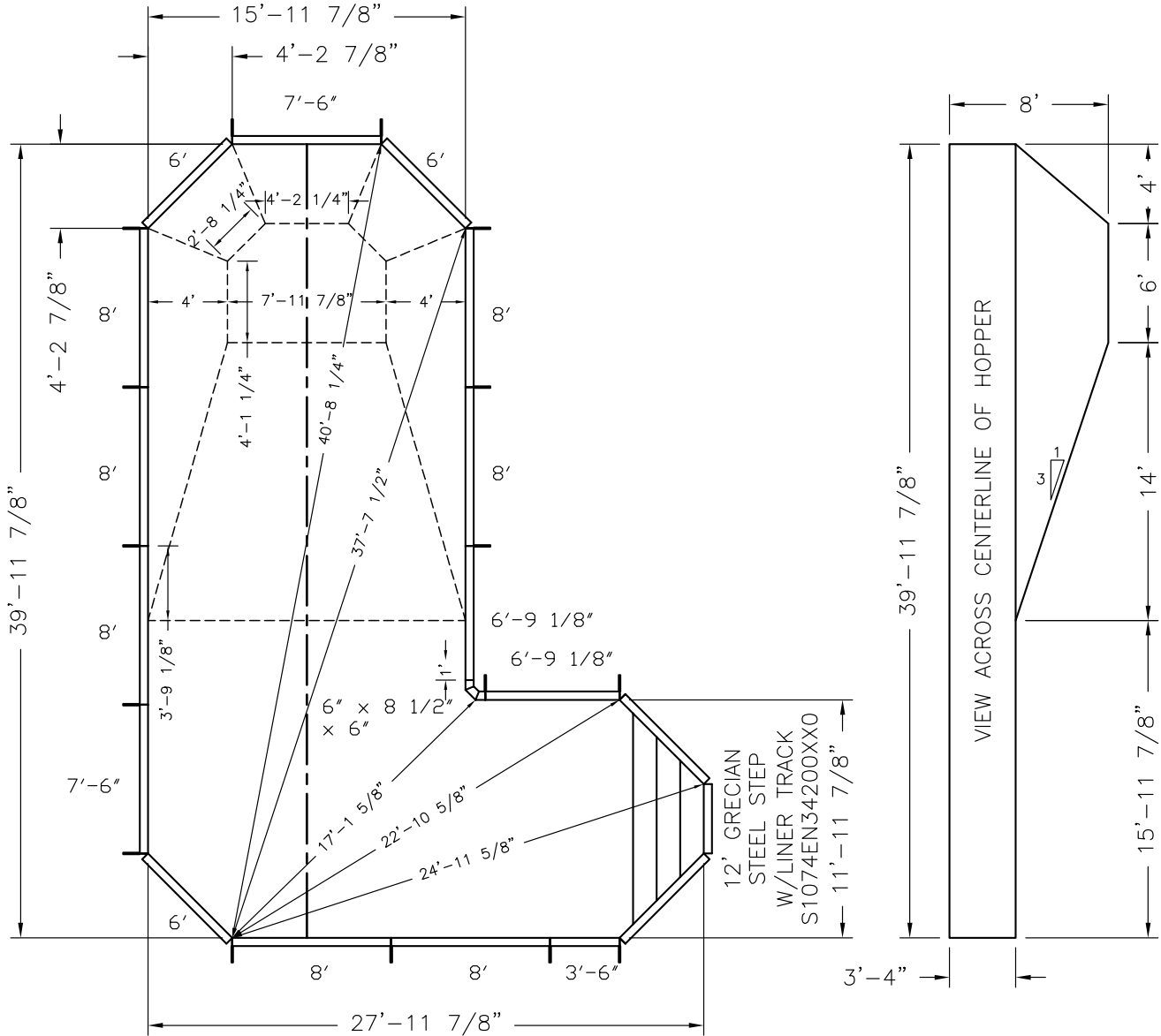


Pool Size: 16' X 40' X 12' X 28'
Pool Shape: TRUE ELL GRECIAN **Approx Gal:** 26,689
Pool Number: 16401228TEGREC - (STEEL)

250 Route 61 South, Schuylkill Haven, PA 17972 • 570-385-4733 • fax: 570-385-1318 • CustomerService@CardinalSystemsinc.com

Bill of Materials

PART NO.	QUANTITY	DESCRIPTION
"A" FRAME	16	"A" FRAME ASSEMBLY
CS901GC	8	GRECIAN CORNER ANGLE
S1074EN34200XX0	1	12' GRECIAN STEEL STEP W/LINER TRACK
5D42060084060	1	6" x 8 1/2" x 6"
5S42360XXX0	1	3'-6" Straight PANEL W/0 Z
5S42600XXX1	3	6" Straight PANEL W/1 Z
5S42691XXX1	2	6'-9 1/8" Straight PANEL W/1 Z
5S42760XXX2	2	7'-6" Straight PANEL W/2 Z
5S42800XXX2	7	8" Straight PANEL W/2 Z



Date: 5/10/2022	Perimeter: 123'-2 5/8"	
Drawn By: JESSE H	Area: 738.1 SQ. FT.	
Scale: 1/8" = 1'-0"	Notes: - - - -	

This information is the confidential property of Cardinal Systems, Inc. Disclosure or duplication without proper written approval is strictly prohibited. Acceptance and use of this drawing constitutes knowledge and acceptance by the user of the terms and conditions set forth in the notice and warning which accompanied this drawing is incorporated herein and made part hereof and is found on Cardinal Systems, Inc's website at www.CardinalSystemsInc.com

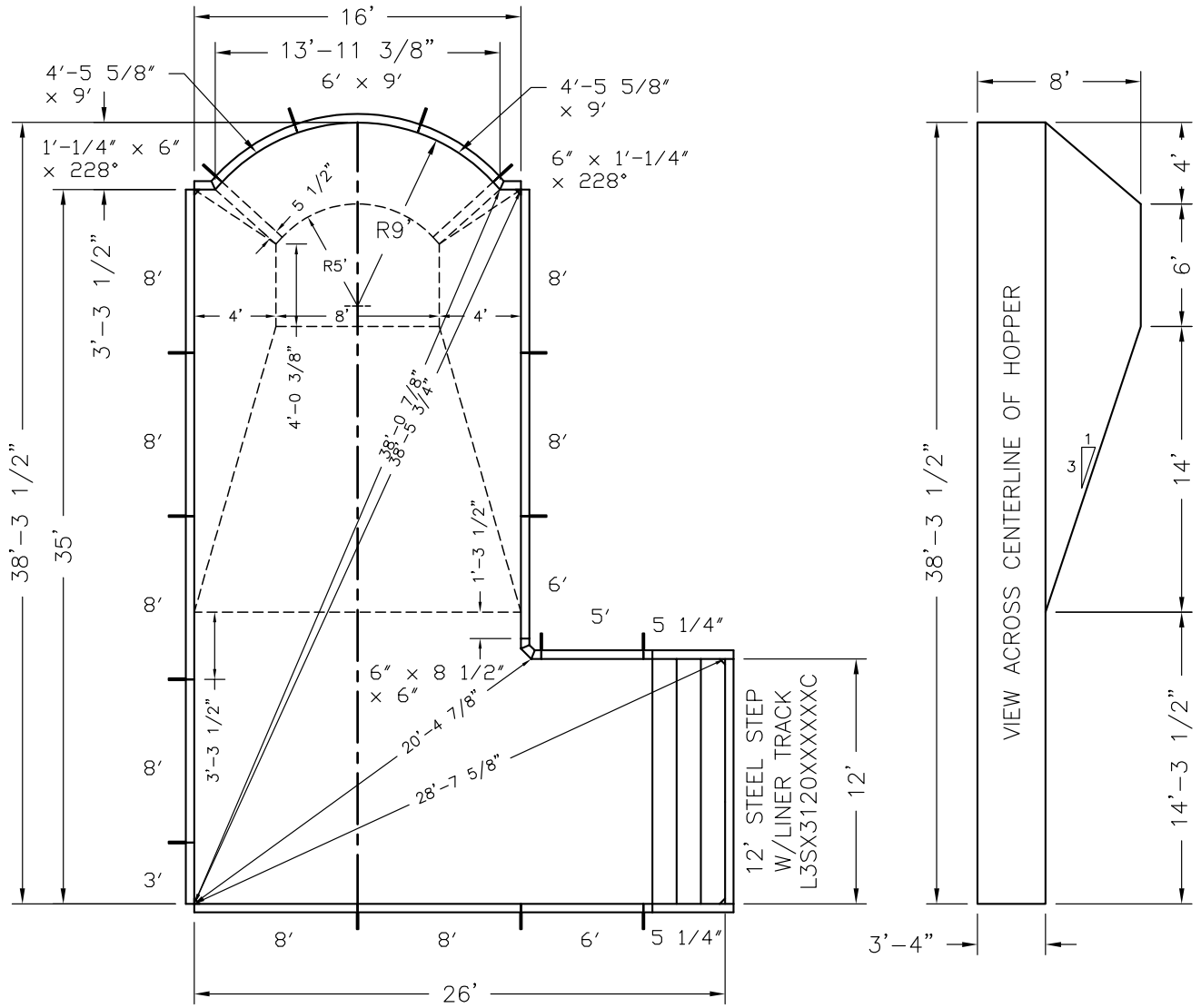


Pool Size: 16' X 38' X 12' X 26'
Pool Shape: TRUE ELL ROMAN END **Approx Gal:** 25,899
Pool Number: 16381226TERMND - (STEEL L3)

250 Route 61 South, Schuylkill Haven, PA 17972 • 570-385-4733 • fax: 570-385-1318 • CustomerService@CardinalSystemsinc.com

Bill of Materials

PART NO.	QUANTITY	DESCRIPTION
"A" FRAME	15	"A" FRAME ASSEMBLY
CS902SA	3	90 DEG CORNER ANGLE
CS902SB	3	6" RAD CORNER FILLER "BIG VEE"
L3SX3120XXXXXXC	1	12' STEEL STEP W/LINER TRACK
5D42060084060	1	6" x 8 1/2" x 6"
5C42455XX09000	2	4'-5 5/8" x 9' Radius C PANEL W/0 Z
5C42600XX09000	1	6' x 9' Radius C PANEL W/0 Z
5S42052XXX0	2	5 1/4" Straight PANEL W/0 Z
5S42300XXX0	1	3' Straight PANEL W/0 Z
5S42500XXX0	1	5' Straight PANEL W/0 Z
5S42600XXX1	2	6' Straight PANEL W/1 Z
5S42800XXX2	8	8' Straight PANEL W/2 Z
5T42060228102	1	6" x 1'-1/4" x 228° ELL
5T42102228060	1	1'-1/4" x 6" x 228° ELL



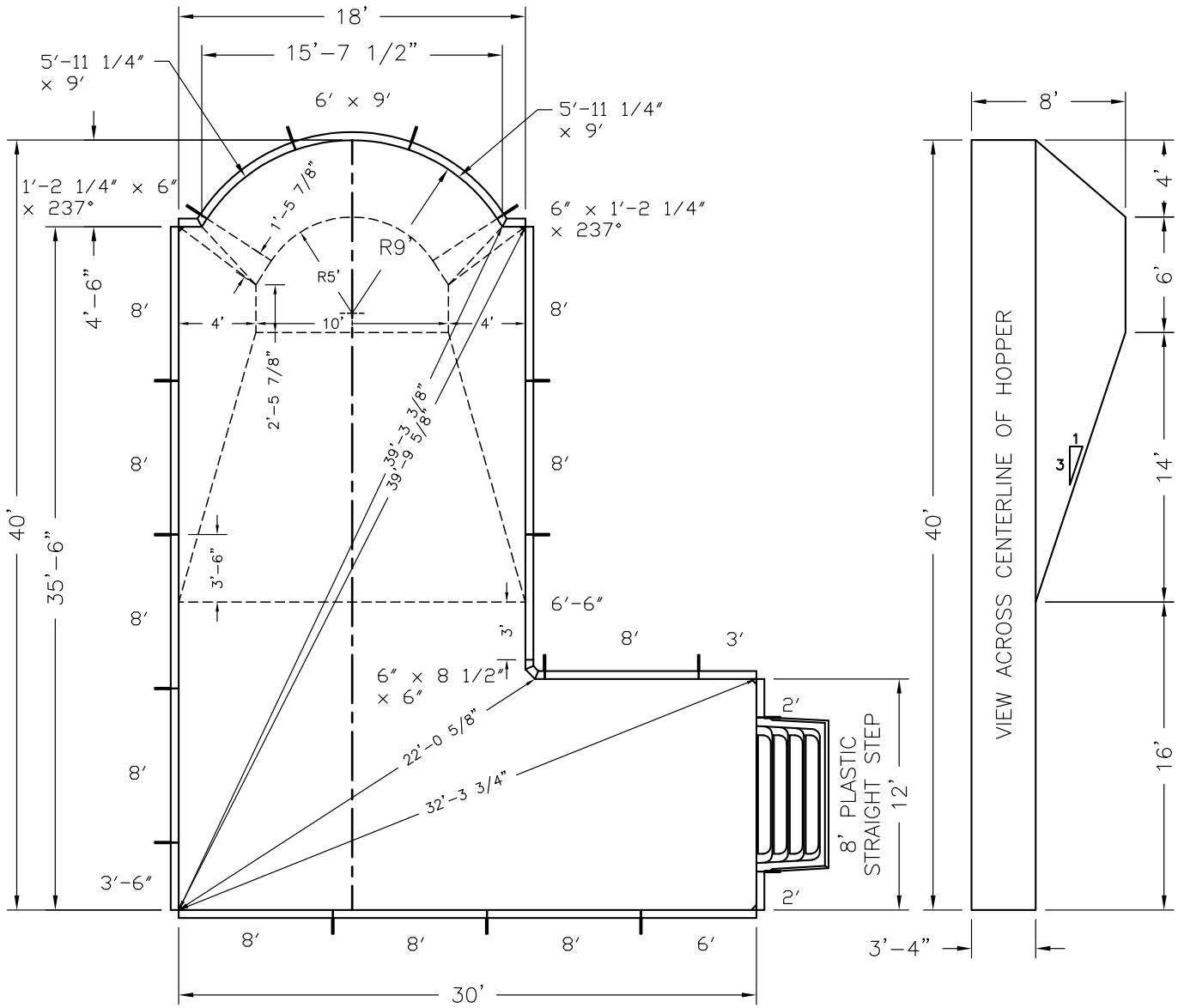
Date: 5/10/2022	Perimeter: 123'-8 3/8"	
Drawn By: JESSE H	Area: 712.0 SQ. FT.	
Scale: 1/8" = 1'-0"	Notes: - - - -	

This Information is the confidential property of Cardinal Systems, Inc. Disclosure or duplication without proper written approval is strictly prohibited. Acceptance and use of this drawing constitutes knowledge and acceptance by the user of the terms and conditions set forth in the notice and warning which accompanied this drawing is incorporated herein and made part hereof and is found on Cardinal Systems, Inc's website at www.CardinalSystemsInc.com



Pool Size: 18' X 40' X 12' X 30'
Pool Shape: TRUE ELL ROMAN END **Approx Gal:** 30,294
Pool Number: 18401230TERMND – (PLASTIC)

250 Route 61 South, Schuylkill Haven, PA 17972 • 570-385-4733 • fax: 570-385-1318 • CustomerService@CardinalSystemsinc.com



Date: 5/10/2022	Perimeter: 133'-11 1/2"
Drawn By: JESSE H	Area: 832.8 SQ. FT.
Scale: 1/8" = 1'-0"	Notes: -----



This information is the confidential property of Cardinal Systems, Inc. Disclosure or duplication without proper written approval is strictly prohibited. Acceptance and use of this drawing constitutes knowledge and acceptance by the user of the terms and conditions set forth in the notice and warning which accompanied this drawing is incorporated herein and made part hereof and is found on Cardinal Systems, Inc.'s website at www.CardinalSystemsInc.com




Pool Size: 18' X 40' X 12' X 30'
Pool Shape: TRUE ELL ROMAN END **Approx Gal:** 30,294
Pool Number: 18401230TERMND – (STEEL L3)

250 Route 61 South, Schuylkill Haven, PA 17972 • 570-385-4733 • fax: 570-385-1318 • CustomerService@CardinalSystemsinc.com

Bill of Materials

PART NO.	QUANTITY	DESCRIPTION
"A" FRAME	16	"A" FRAME ASSEMBLY
CS902SA	3	90 DEG CORNER ANGLE
CS902SB	3	6" RAD CORNER FILLER "BIG VEE"
L3SX3120XXXXXC	1	12' STEEL STEP W/LINER TRACK
5D42060084060	1	6" x 8 1/2" x 6"
5C425E2XX09000	2	5'-11 1/4" x 9' Radius C PANEL W/0 Z
5C42600XX09000	1	6' x 9' Radius C PANEL W/0 Z
5S42052XXX0	2	5 1/4" Straight PANEL W/0 Z
5S42200XXX0	1	2' Straight PANEL W/0 Z
5S42360XXX0	1	3'-6" Straight PANEL W/0 Z
5S42660XXX1	1	6'-6" Straight PANEL W/1 Z
5S42700XXX2	1	7' Straight PANEL W/2 Z
5S42800XXX2	9	8' Straight PANEL W/2 Z
5T42060237122	1	6" x 1'-2 1/4" x 237° ELL
5T42122237060	1	1'-2 1/4" x 6" x 237° ELL

Date: 5/10/2022	Perimeter: 133'-11 1/2"	 <small>cardinalpools.com</small>
Drawn By: JESSE H	Area: 832.8 SQ. FT.	
Scale: 1/8" = 1'-0"	Notes: - - - -	

This information is the confidential property of Cardinal Systems, Inc. Disclosure or duplication without proper written approval is strictly prohibited. Acceptance and use of this drawing constitutes knowledge and acceptance by the user of the terms and conditions set forth in the notice and warning which accompanied this drawing is incorporated herein and made part hereof and is found on Cardinal Systems, Inc's website at www.CardinalSystemsInc.com

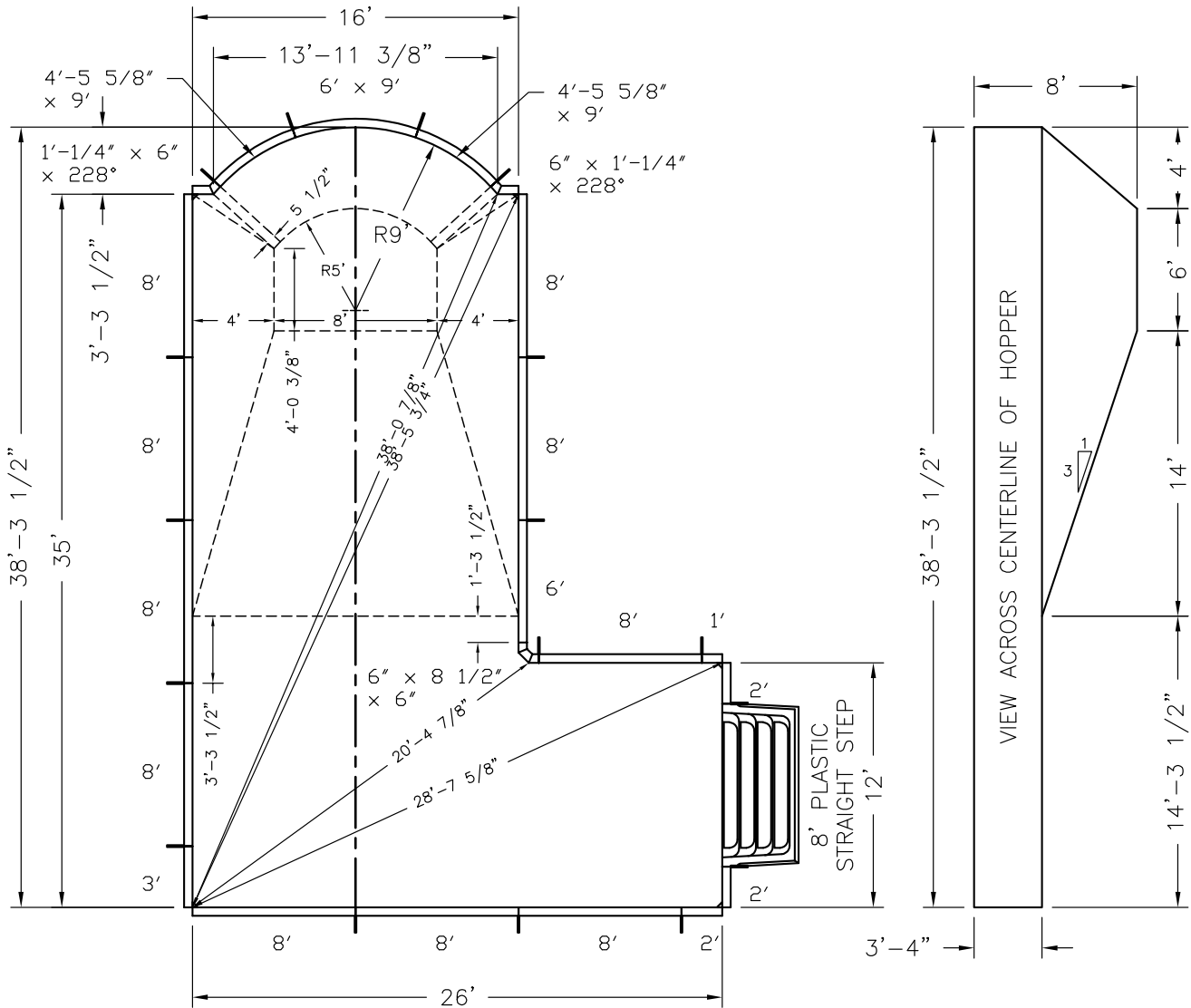


Pool Size: 16' X 38' X 12' X 26'
Pool Shape: TRUE ELL ROMAN END **Approx Gal:** 25,899
Pool Number: 16381226TERMND – (PLASTIC)

250 Route 61 South, Schuylkill Haven, PA 17972 • 570-385-4733 • fax: 570-385-1318 • CustomerService@CardinalSystemsinc.com

Bill of Materials

PART NO.	QUANTITY	DESCRIPTION
"A" FRAME	17	"A" FRAME ASSEMBLY
CS902SA	5	90 DEG CORNER ANGLE
CS902SB	5	6" RAD CORNER FILLER "BIG VEE"
5D42060084060	1	6" x 8 1/2" x 6"
5C42455XX09000	2	4'-5 5/8" x 9' Radius C PANEL W/0 Z
5C42600XX09000	1	6' x 9' Radius C PANEL W/0 Z
5S42100XXX0	1	1' Straight PANEL W/0 Z
5S42200XXX0	3	2' Straight PANEL W/0 Z
5S42300XXX0	1	3' Straight PANEL W/0 Z
5S42600XXX1	1	6' Straight PANEL W/1 Z
5S42800XXX2	10	8' Straight PANEL W/2 Z
5T42060228102	1	6" x 1'-1/4" x 228° ELL
5T42102228060	1	1'-1/4" x 6" x 228° ELL



Date: 5/10/2022

Perimeter: 123'-8 3/8"

Drawn By: JESSE H

Area: 712.0 SQ. FT.

Scale: 1/8" = 1'-0"

Notes: -----



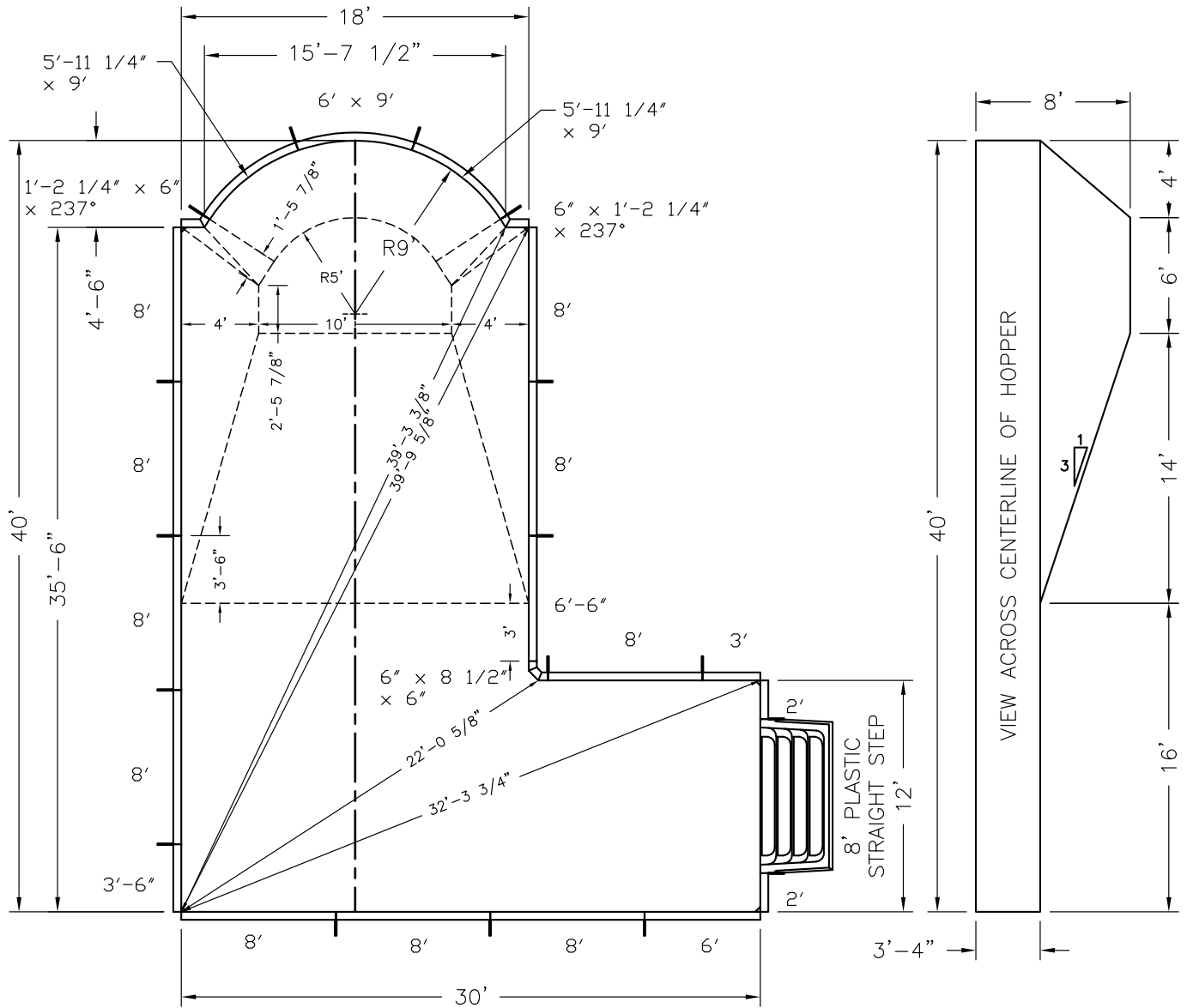
cardinalpools.com


This information is the confidential property of Cardinal Systems, Inc. Disclosure or duplication without proper written approval is strictly prohibited. Acceptance and use of this drawing constitutes knowledge and acceptance by the user of the terms and conditions set forth in the notice and warning which accompanied this drawing is incorporated herein and made part hereof and is found on Cardinal Systems, Inc's website at www.CardinalSystemsInc.com



Pool Size: 18' X 40' X 12' X 30'
Pool Shape: TRUE ELL ROMAN END **Approx Gal:** 30,294
Pool Number: 18401230TERMND – (PLASTIC)

250 Route 61 South, Schuylkill Haven, PA 17972 • 570-385-4733 • fax: 570-385-1318 • CustomerService@CardinalSystemsinc.com



Date: 5/10/2022	Perimeter: 133'-11 1/2"	 cardinalpools.com
Drawn By: JESSE H	Area: 832.8 SQ. FT.	
Scale: 1/8" = 1'-0"	Notes: - - - -	

This information is the confidential property of Cardinal Systems, Inc. Disclosure or duplication without proper written approval is strictly prohibited. Acceptance and use of this drawing constitutes knowledge and acceptance by the user of the terms and conditions set forth in the notice and warning which accompanied this drawing. It is incorporated herein and made part hereof and is found on Cardinal Systems, Inc's website at www.CardinalSystemsInc.com




Pool Size: 18' X 40' X 12' X 30'
Pool Shape: TRUE ELL ROMAN END **Approx Gal:** 30,294
Pool Number: 18401230TERMND – (PLASTIC)

250 Route 61 South, Schuylkill Haven, PA 17972 • 570-385-4733 • fax: 570-385-1318 • CustomerService@CardinalSystemsinc.com

Bill of Materials

PART NO.	QUANTITY	DESCRIPTION
"A" FRAME	17	"A" FRAME ASSEMBLY
CS902SA	5	90 DEG CORNER ANGLE
CS902SB	5	6" RAD CORNER FILLER "BIG VEE"
5D42060084060	1	6" x 8 1/2" x 6"
5C425E2XX09000	2	5'-11 1/4" x 9' Radius C PANEL W/O Z
5C42600XX09000	1	6' x 9' Radius C PANEL W/O Z
5S42200XXX0	2	2' Straight PANEL W/O Z
5S42300XXX0	1	3' Straight PANEL W/O Z
5S42360XXX0	1	3'-6" Straight PANEL W/O Z
5S42600XXX1	1	6' Straight PANEL W/1 Z
5S42660XXX1	1	6'-6" Straight PANEL W/1 Z
5S42800XXX2	10	8' Straight PANEL W/2 Z
5T42060237122	1	6" x 1'-2 1/4" x 237° ELL
5T42122237060	1	1'-2 1/4" x 6" x 237° ELL

Date: 5/10/2022	Perimeter: 133'-11 1/2"	 <small>cardinalpools.com</small>
Drawn By: JESSE H	Area: 832.8 SQ. FT.	
Scale: 1/8" = 1'-0"	Notes: - - - -	
<small>This information is the confidential property of Cardinal Systems, Inc. Disclosure or duplication without proper written approval is strictly prohibited. Acceptance and use of this drawing constitutes knowledge and acceptance by the user of the terms and conditions set forth in the notice and warning which accompanied this drawing is incorporated herein and made part hereof and is found on Cardinal Systems, Inc's website at www.CardinalSystemsInc.com</small>		