

# ROMAN END

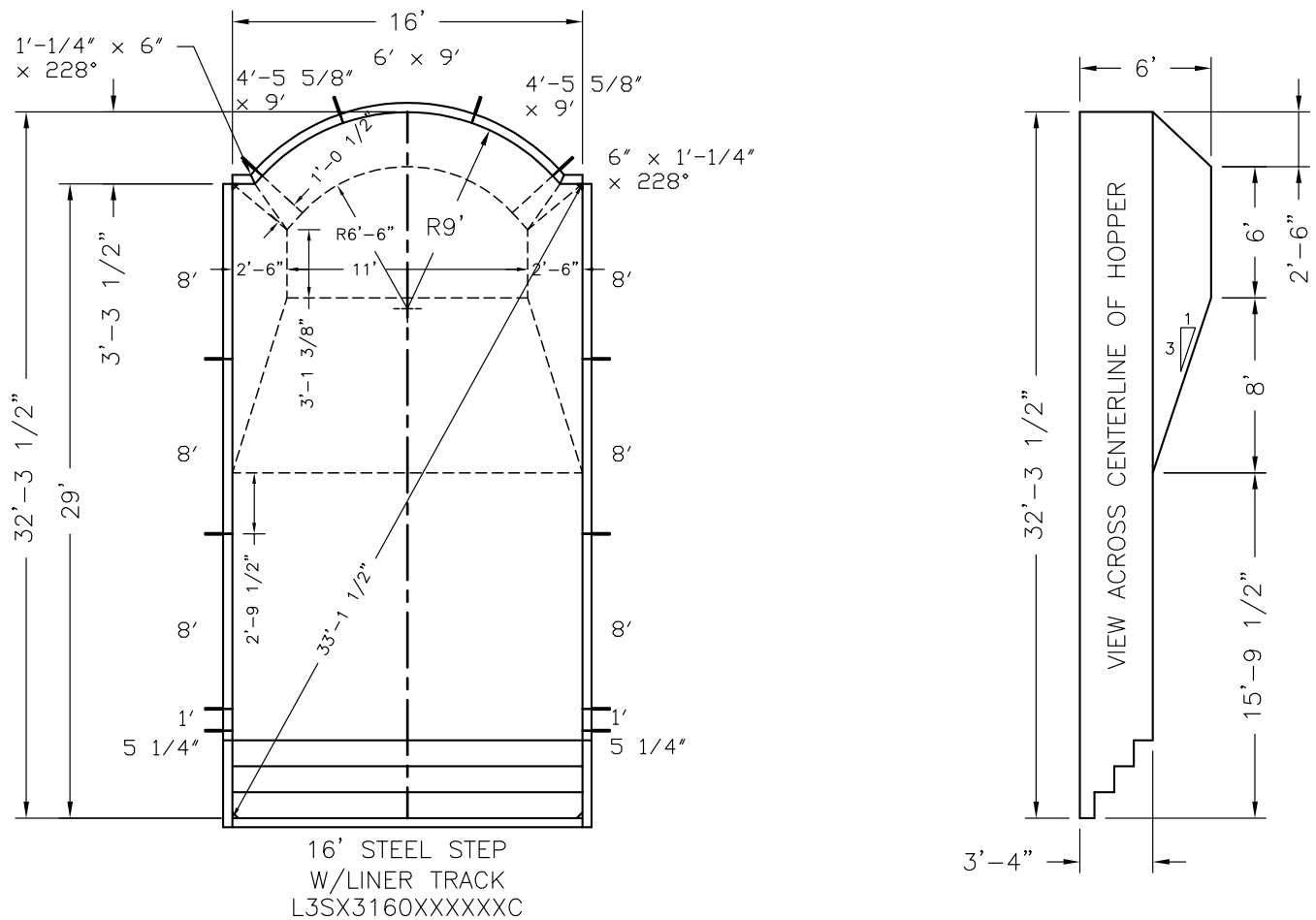


**Pool Size:** 16' X 32'  
**Pool Shape:** ROMAN END **Approx Gal:** 15,807  
**Pool Number:** 1632RE - 6 (STEEL L3)

250 Route 61 South, Schuylkill Haven, PA 17972 • 570-385-4733 • fax: 570-385-1318 • CustomerService@CardinalSystemsInc.com

## Bill of Materials

PART NO.	QUANTITY	DESCRIPTION
"A" FRAME	12	"A" FRAME ASSEMBLY
CS902SA	2	90 DEG CORNER ANGLE
CS902SB	2	6" RAD CORNER FILLER "BIG VEE"
L3SX3160XXXXXXC	1	16' STEEL STEP W/LINER TRACK
5C42455XX09000	2	4'-5 5/8" x 9' Radius C PANEL W/0 Z
5C42600XX09000	1	6' x 9' Radius C PANEL W/0 Z
5S42052XXX0	2	5 1/4" Straight PANEL W/0 Z
5S42100XXX0	2	1' Straight PANEL W/0 Z
5S42800XXX2	6	8' Straight PANEL W/2 Z
5T42060228102	1	6" x 1'-1/4" x 228° ELL
5T42102228060	1	1'-1/4" x 6" x 228° ELL



NOTE: THIS IS A NON DIVING POOL.

<b>Date:</b> 5/10/2022	<b>Perimeter:</b> 91'-11 3/4"	
<b>Drawn By:</b> JESSE H	<b>Area:</b> 495.9 SQ. FT.	
<b>Scale:</b> 1/8" = 1'-0"	<b>Notes:</b> - - - -	

This information is the confidential property of Cardinal Systems, Inc. Disclosure or duplication without proper written approval is strictly prohibited. Acceptance and use of this drawing constitutes knowledge and acceptance by the user of the terms and conditions set forth in the notice and warning which accompanied this drawing is incorporated herein and made part hereof and is found on Cardinal Systems, Inc's website at www.CardinalSystemsInc.com

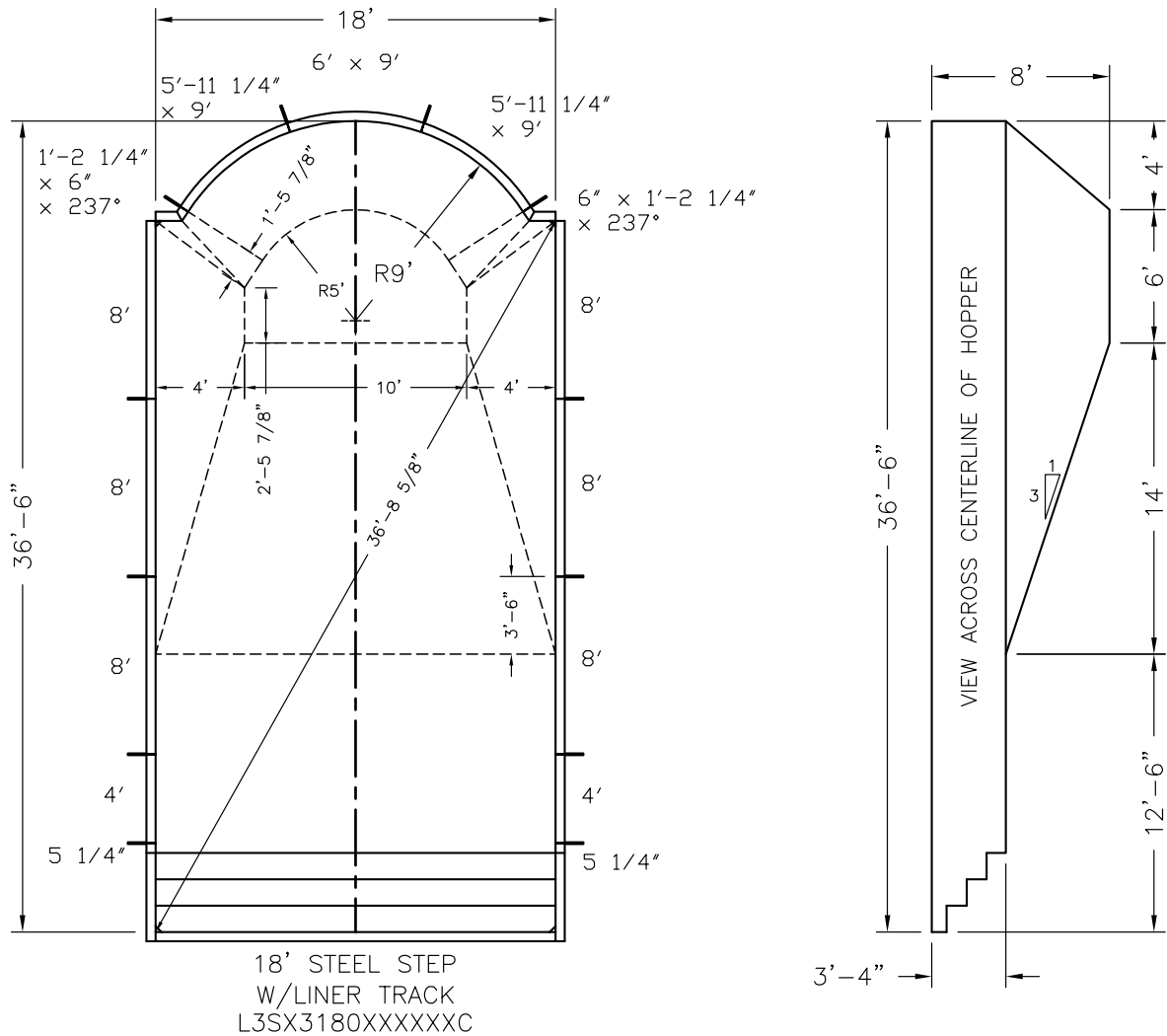


**Pool Size:** 18' X 36'  
**Pool Shape:** ROMAN END **Approx Gal:** 22,760  
**Pool Number:** 1836RE - 6 (STEEL L3)

250 Route 61 South, Schuylkill Haven, PA 17972 • 570-385-4733 • fax: 570-385-1318 • CustomerService@CardinalSystemsInc.com

### Bill of Materials

PART NO.	QUANTITY	DESCRIPTION
"A" FRAME	12	"A" FRAME ASSEMBLY
CS902SA	2	90 DEG CORNER ANGLE
CS902SB	2	6" RAD CORNER FILLER "BIG VEE"
L3SX3180XXXXXXC	1	18' STEEL STEP W/LINER TRACK
5C425E2XX09000	2	5'-11 1/4" x 9' Radius C PANEL W/O Z
5C42600XX09000	1	6' x 9' Radius C PANEL W/O Z
5S42052XXX0	2	5 1/4" Straight PANEL W/O Z
5S42400XXX0	2	4' Straight PANEL W/O Z
5S42800XXX2	6	8' Straight PANEL W/2 Z
5T42060237122	1	6" x 1'-2 1/4" x 237° ELL
5T42122237060	1	1'-2 1/4" x 6" x 237° ELL



**Date:** 5/10/2022

**Perimeter:** 103'-3"

**Drawn By:** JESSE H

**Area:** 625.7 SQ. FT.

**Scale:** 1/8" = 1'-0"

**Notes:** - - - -



cardinalpools.com

This information is the confidential property of Cardinal Systems, Inc. Disclosure or duplication without proper written approval is strictly prohibited. Acceptance and use of this drawing constitutes knowledge and acceptance by the user of the terms and conditions set forth in the notice and warning which accompanied this drawing is incorporated herein and made part hereof and is found on Cardinal Systems, Inc's website at [www.CardinalSystemsInc.com](http://www.CardinalSystemsInc.com)

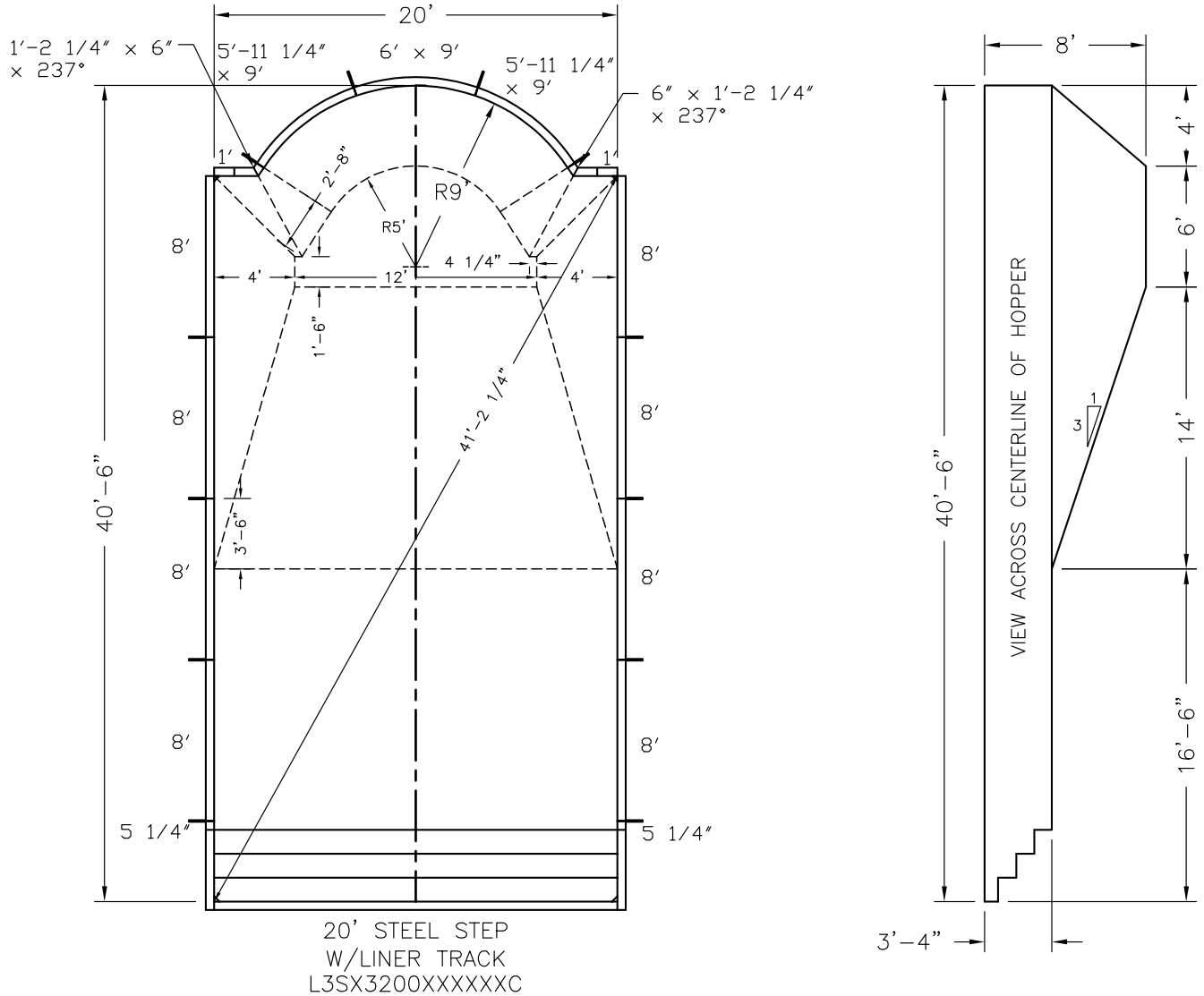


**Pool Size:** 20' X 40'  
**Pool Shape:** ROMAN END **Approx Gal:** 27,998  
**Pool Number:** 2040RE - 6 (STEEL L3)

250 Route 61 South, Schuylkill Haven, PA 17972 • 570-385-4733 • fax: 570-385-1318 • CustomerService@CardinalSystemsInc.com

### Bill of Materials

PART NO.	QUANTITY	DESCRIPTION
"A" FRAME	12	"A" FRAME ASSEMBLY
CS902SA	2	90 DEG CORNER ANGLE
CS902SB	2	6" RAD CORNER FILLER "BIG VEE"
L3SX3200XXXXXXC	1	20' STEEL STEP W/LINER TRACK
5C425E2XX09000	2	5'-11 1/4" x 9' Radius C PANEL W/0 Z
5C42600XX09000	1	6' x 9' Radius C PANEL W/0 Z
5S42052XXX0	2	5 1/4" Straight PANEL W/0 Z
5S42100XXX0	2	1' Straight PANEL W/0 Z
5S42800XXX2	8	8' Straight PANEL W/2 Z
5T42060237122	1	6" x 1'-2 1/4" x 237° ELL
5T42122237060	1	1'-2 1/4" x 6" x 237° ELL



<b>Date:</b> 5/10/2022	<b>Perimeter:</b> 115'-3"	
<b>Drawn By:</b> JESSE H	<b>Area:</b> 769.7 SQ. FT.	
<b>Scale:</b> 1/8" = 1'-0"	<b>Notes:</b> - - - -	

This information is the confidential property of Cardinal Systems, Inc. Disclosure or duplication without proper written approval is strictly prohibited. Acceptance and use of this drawing constitutes knowledge and acceptance by the user of the terms and conditions set forth in the notice and warning which accompanied this drawing is incorporated herein and made part hereof and is found on Cardinal Systems, Inc's website at www.CardinalSystemsInc.com

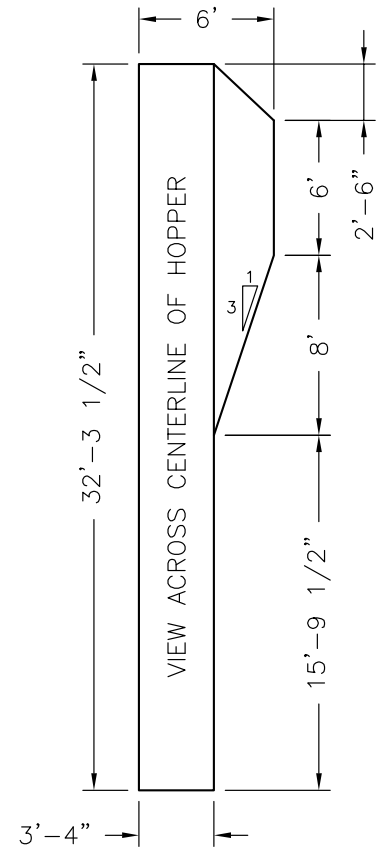
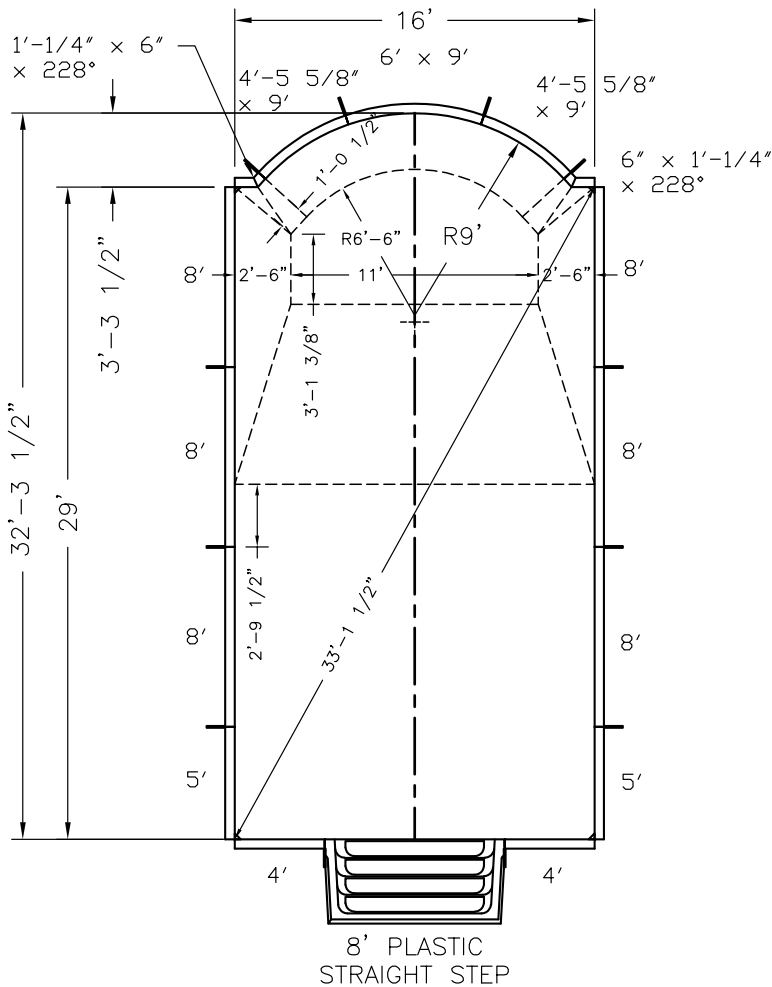


**Pool Size:** 16' X 32'  
**Pool Shape:** ROMAN END **Approx Gal:** 15,807  
**Pool Number:** 1632RE - 6 (PLASTIC)

250 Route 61 South, Schuylkill Haven, PA 17972 • 570-385-4733 • fax: 570-385-1318 • CustomerService@CardinalSystemsinc.com

### Bill of Materials

PART NO.	QUANTITY	DESCRIPTION
"A" FRAME	12	"A" FRAME ASSEMBLY
CS902SA	4	90 DEG CORNER ANGLE
CS902SB	4	6" RAD CORNER FILLER "BIG VEE"
5C42455XX09000	2	4'-5 5/8" x 9' Radius C PANEL W/O Z
5C42600XX09000	1	6' x 9' Radius C PANEL W/O Z
5S42400XXX0	2	4' Straight PANEL W/O Z
5S42500XXX0	2	5' Straight PANEL W/O Z
5S42800XXX2	6	8' Straight PANEL W/2 Z
5T42060228102	1	6" x 1'-1/4" x 228° ELL
5T42102228060	1	1'-1/4" x 6" x 228° ELL



NOTE: THIS IS A NON DIVING POOL.

**Date:** 5/10/2022

**Perimeter:** 91'-11 3/4"

**Drawn By:** JESSE H

**Area:** 495.9 SQ. FT.

**Scale:** 1/8" = 1'-0"

**Notes:** - - - -



cardinalpools.com

This information is the confidential property of Cardinal Systems, Inc. Disclosure or duplication without proper written approval is strictly prohibited. Acceptance and use of this drawing constitutes knowledge and acceptance by the user of the terms and conditions set forth in the notice and warning which accompanied this drawing is incorporated herein and made part hereof and is found on Cardinal Systems, Inc's website at www.CardinalSystemsInc.com

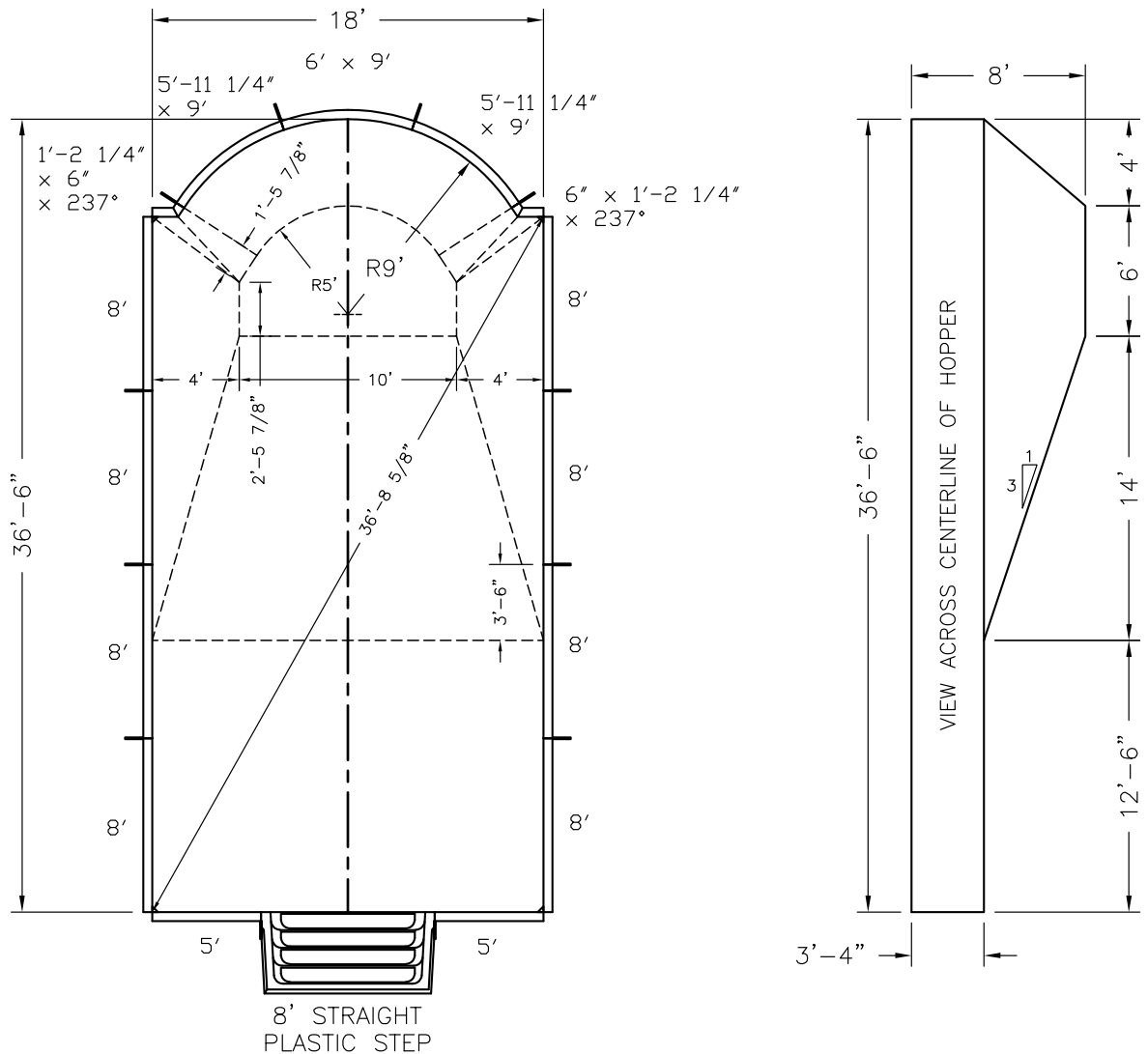


**Pool Size:** 18' X 36'  
**Pool Shape:** ROMAN END **Approx Gal:** 22,760  
**Pool Number:** 1836RE - 6 (PLASTIC)

250 Route 61 South, Schuylkill Haven, PA 17972 • 570-385-4733 • fax: 570-385-1318 • CustomerService@CardinalSystemsinc.com

### Bill of Materials

PART NO.	QUANTITY	DESCRIPTION
"A" FRAME	12	"A" FRAME ASSEMBLY
CS902SA	4	90 DEG CORNER ANGLE
CS902SB	4	6" RAD CORNER FILLER "BIG VEE"
5C425E2XX09000	2	5'-11 1/4" x 9' Radius C PANEL W/O Z
5C42600XX09000	1	6' x 9' Radius C PANEL W/O Z
5S42500XXX0	2	5' Straight PANEL W/O Z
5S42800XXX2	8	8' Straight PANEL W/2 Z
5T42060237122	1	6" x 1'-2 1/4" x 237° ELL
5T42122237060	1	1'-2 1/4" x 6" x 237° ELL



<b>Date:</b> 5/10/2022	<b>Perimeter:</b> 103'-3"	
<b>Drawn By:</b> JESSE H	<b>Area:</b> 625.7 SQ. FT.	
<b>Scale:</b> 1/8" = 1'-0"	<b>Notes:</b> - - - -	

This Information Is the confidential property of Cardinal Systems, Inc. Disclosure or duplication without proper written approval is strictly prohibited. Acceptance and use of this drawing constitutes knowledge and acceptance by the user of the terms and conditions set forth in the notice and warning which accompanied this drawing is incorporated herein and made part hereof and is found on Cardinal Systems, Inc's website at www.CardinalSystemsInc.com

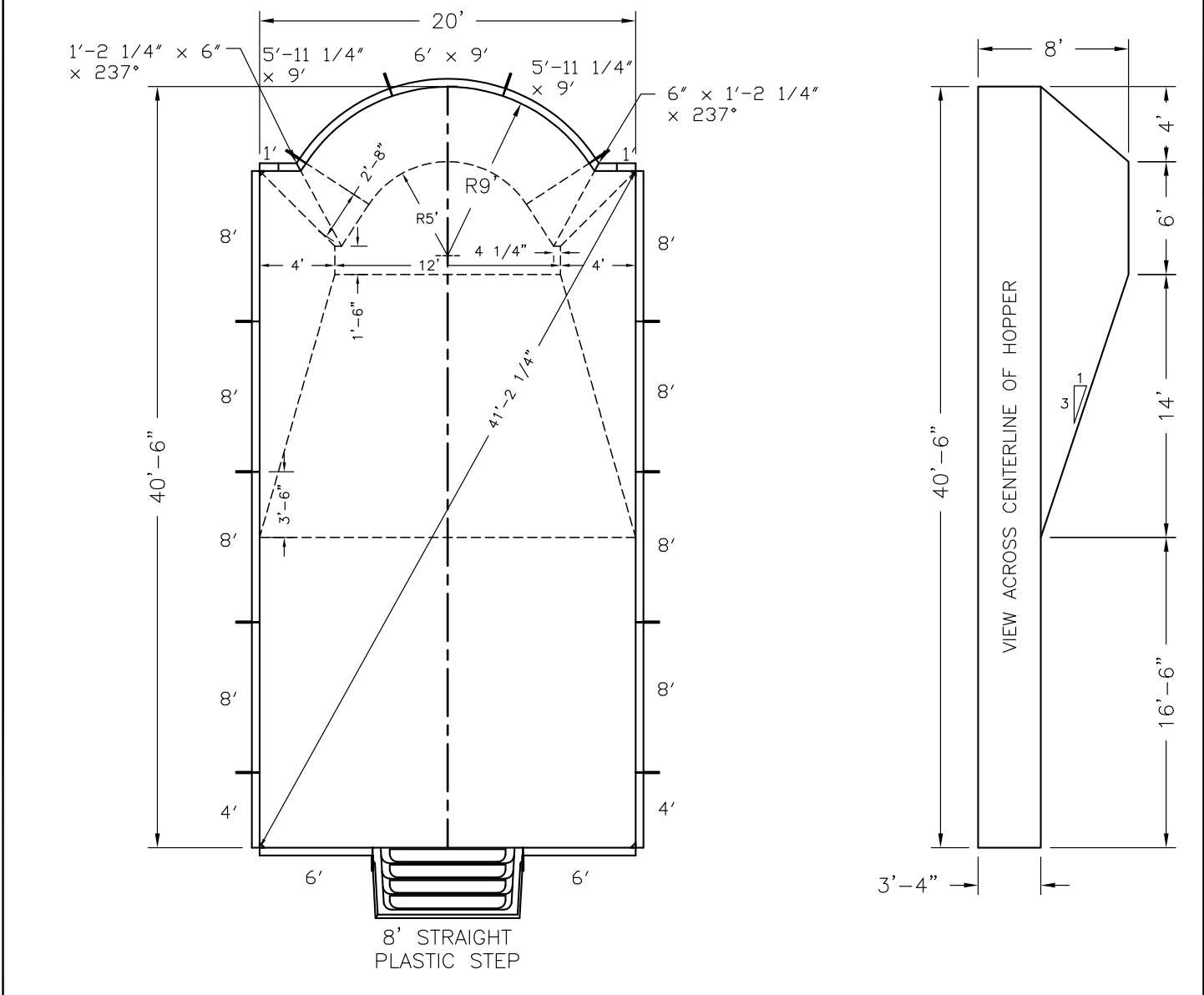


**Pool Size:** 20' X 40'  
**Pool Shape:** ROMAN END **Approx Gal:** 27,998  
**Pool Number:** 2040RE - 6 (PLASTIC)

250 Route 61 South, Schuylkill Haven, PA 17972 • 570-385-4733 • fax: 570-385-1318 • CustomerService@CardinalSystemsInc.com

### Bill of Materials

PART NO.	QUANTITY	DESCRIPTION
"A" FRAME	14	"A" FRAME ASSEMBLY
CS902SA	4	90 DEG CORNER ANGLE
CS902SB	4	6" RAD CORNER FILLER "BIG VEE"
5C425E2XX09000	2	5'-11 1/4" x 9' Radius C PANEL W/O Z
5C42600XX09000	1	6' x 9' Radius C PANEL W/O Z
5S42100XXX0	2	1' Straight PANEL W/O Z
5S42400XXX0	2	4' Straight PANEL W/O Z
5S42600XXX1	2	6' Straight PANEL W/O Z
5S42800XXX2	8	8' Straight PANEL W/O Z
5T42060237122	1	6" x 1'-2 1/4" x 237° ELL
5T42122237060	1	1'-2 1/4" x 6" x 237° ELL



<b>Date:</b> 5/10/2022	<b>Perimeter:</b> 115'-3"	
<b>Drawn By:</b> JESSE H	<b>Area:</b> 769.7 SQ. FT.	
<b>Scale:</b> 1/8" = 1'-0"	<b>Notes:</b> - - - -	

This information is the confidential property of Cardinal Systems, Inc. Disclosure or duplication without proper written approval is strictly prohibited. Acceptance and use of this drawing constitutes knowledge and acceptance by the user of the terms and conditions set forth in the notice and warning which accompanied this drawing is incorporated herein and made part hereof and is found on Cardinal Systems, Inc's website at [www.CardinalSystemsInc.com](http://www.CardinalSystemsInc.com)

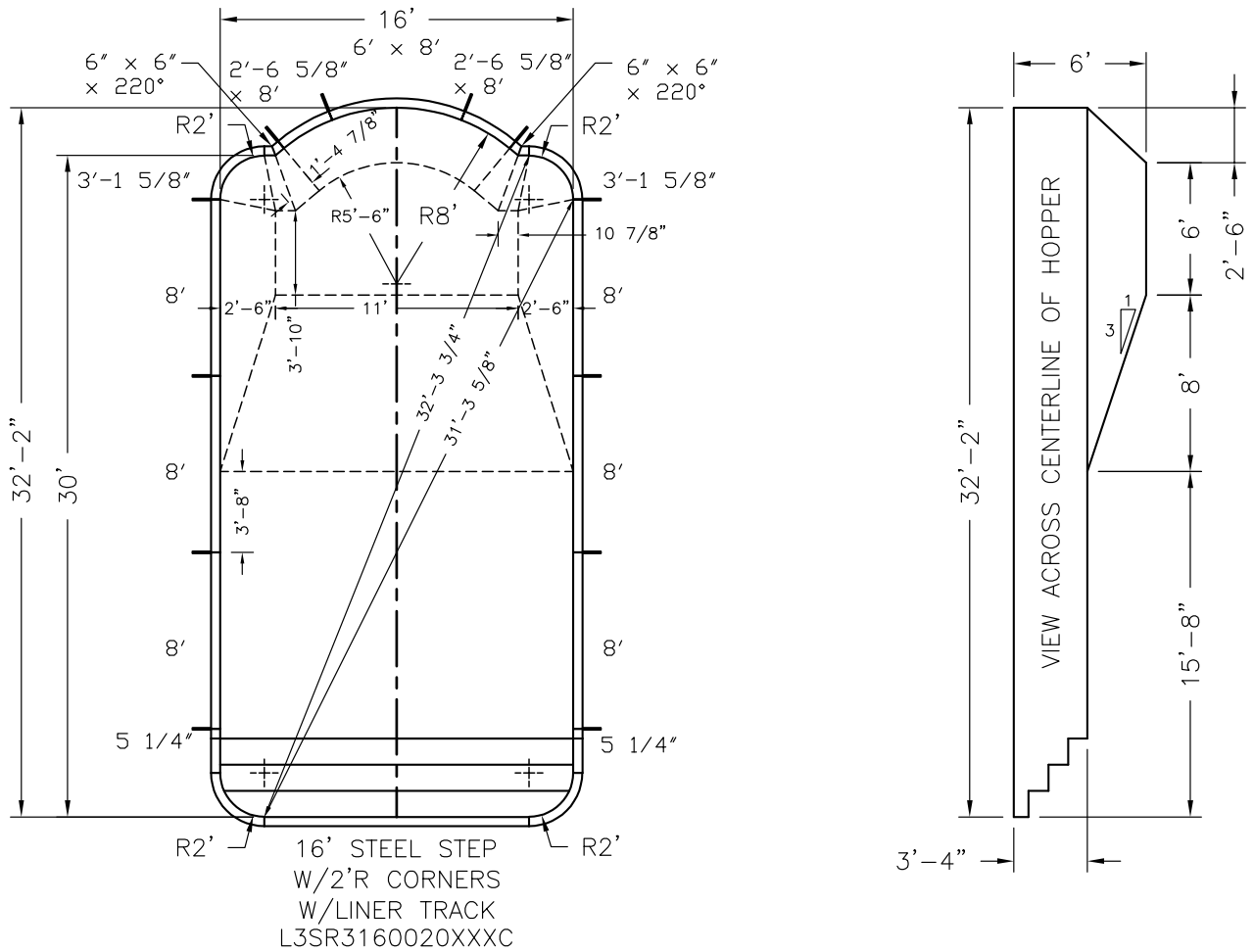


**Pool Size:** 16' X 32'  
**Pool Shape:** ROMAN END **Approx Gal:** 15,712  
**Pool Number:** 1632RE - 2R (STEEL L3)

250 Route 61 South, Schuylkill Haven, PA 17972 • 570-385-4733 • fax: 570-385-1318 • CustomerService@CardinalSystemsInc.com

Bill of Materials

PART NO.	QUANTITY	DESCRIPTION
"A" FRAME	12	"A" FRAME ASSEMBLY
5C42315XX02000	2	2' RADIUS CORNER
L3SR3160020XXXC	1	16' STEEL STEP W/2' RADIUS CORNERS W/LINER TRACK
5C42265XX08000	2	2'-6 5/8" x 8' Radius C PANEL W/O Z
5C42600XX08000	1	6' x 8' Radius C PANEL W/O Z
5S42052XXX0	2	5 1/4" Straight PANEL W/O Z
5S42800XXX2	6	8' Straight PANEL W/2 Z
5T42060220060	2	6" x 6" x 220° ELL



NOTE: THIS IS A NON DIVING POOL.

<b>Date:</b> 5/10/2022	<b>Perimeter:</b> 88'-8"	
<b>Drawn By:</b> JESSE H	<b>Area:</b> 492.9 SQ. FT.	
<b>Scale:</b> 1/8" = 1'-0"	<b>Notes:</b> - - - -	

This information is the confidential property of Cardinal Systems, Inc. Disclosure or duplication without proper written approval is strictly prohibited. Acceptance and use of this drawing constitutes knowledge and acceptance by the user of the terms and conditions set forth in the notice and warning which accompanied this drawing is incorporated herein and made part hereof and is found on Cardinal Systems, Inc's website at www.CardinalSystemsInc.com

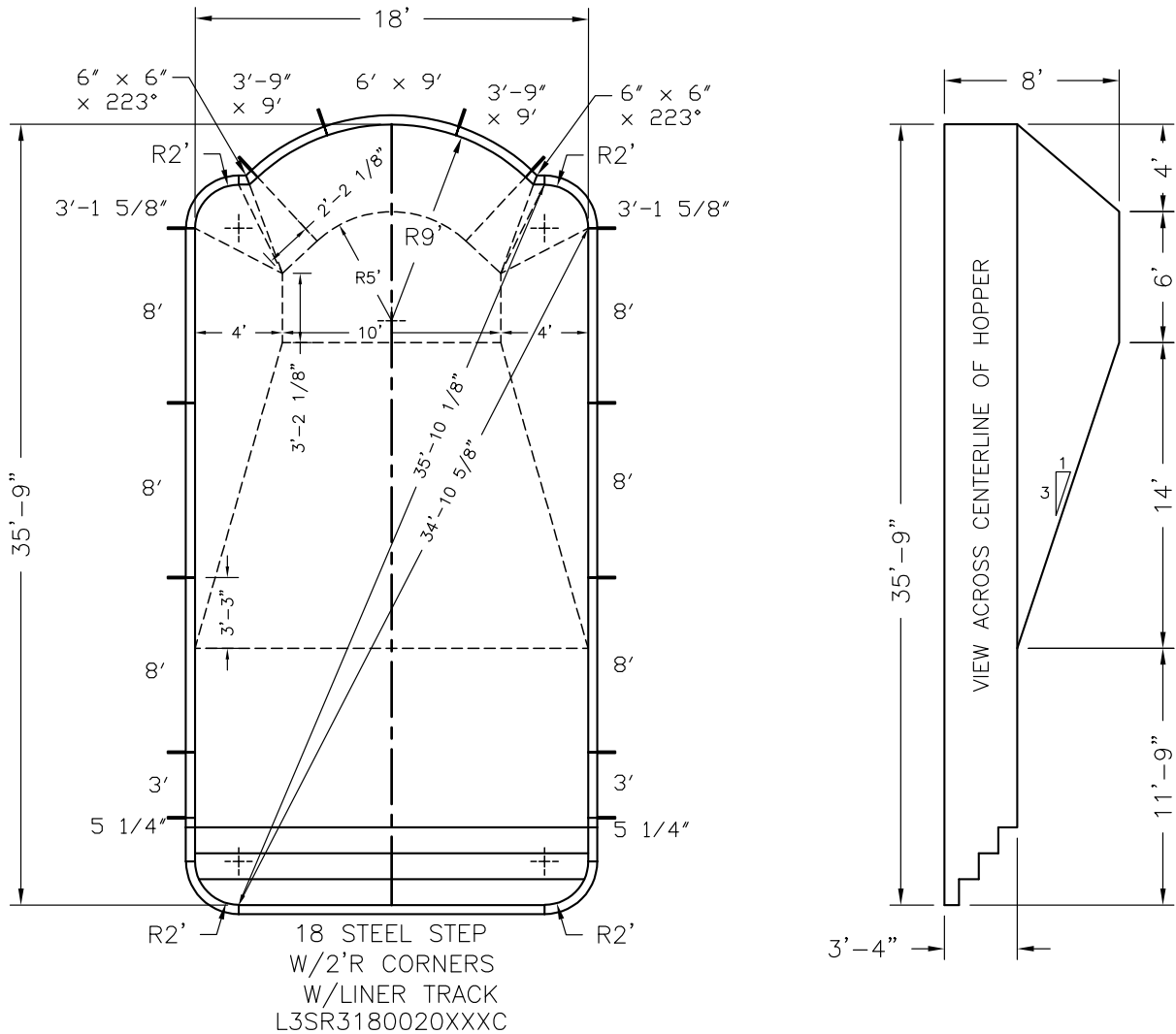


**Pool Size:** 18' X 36'  
**Pool Shape:** ROMAN END **Approx Gal:** 22,378  
**Pool Number:** 1836RE - 2R (STEEL L3)

250 Route 61 South, Schuylkill Haven, PA 17972 • 570-385-4733 • fax: 570-385-1318 • CustomerService@CardinalSystemsInc.com

### Bill of Materials

PART NO.	QUANTITY	DESCRIPTION
"A" FRAME	14	"A" FRAME ASSEMBLY
5C42315XX02000	2	2' RADIUS CORNER
L3SR3180020XXXX	1	18 STEEL STEP W/2' RADIUS CORNERS W/LINER TRACK
5C42390XX09000	2	3'-9" x 9' Radius C PANEL W/0 Z
5C42600XX09000	1	6' x 9' Radius C PANEL W/0 Z
5S42052XXX0	2	5 1/4" Straight PANEL W/0 Z
5S42300XXX0	2	3' Straight PANEL W/0 Z
5S42800XXX2	6	8' Straight PANEL W/2 Z
5T42060223060	2	6" x 6" x 223° ELL



**Date:** 5/10/2022

**Perimeter:** 100'-0 3/4"

**Drawn By:** JESSE H

**Area:** 615.2 SQ. FT.

**Scale:** 1/8" = 1'-0"

**Notes:** - - - -



cardinalpools.com

This information is the confidential property of Cardinal Systems, Inc. Disclosure or duplication without proper written approval is strictly prohibited. Acceptance and use of this drawing constitutes knowledge and acceptance by the user of the terms and conditions set forth in the notice and warning which accompanied this drawing is incorporated herein and made part hereof and is found on Cardinal Systems, Inc's website at [www.CardinalSystemsInc.com](http://www.CardinalSystemsInc.com)



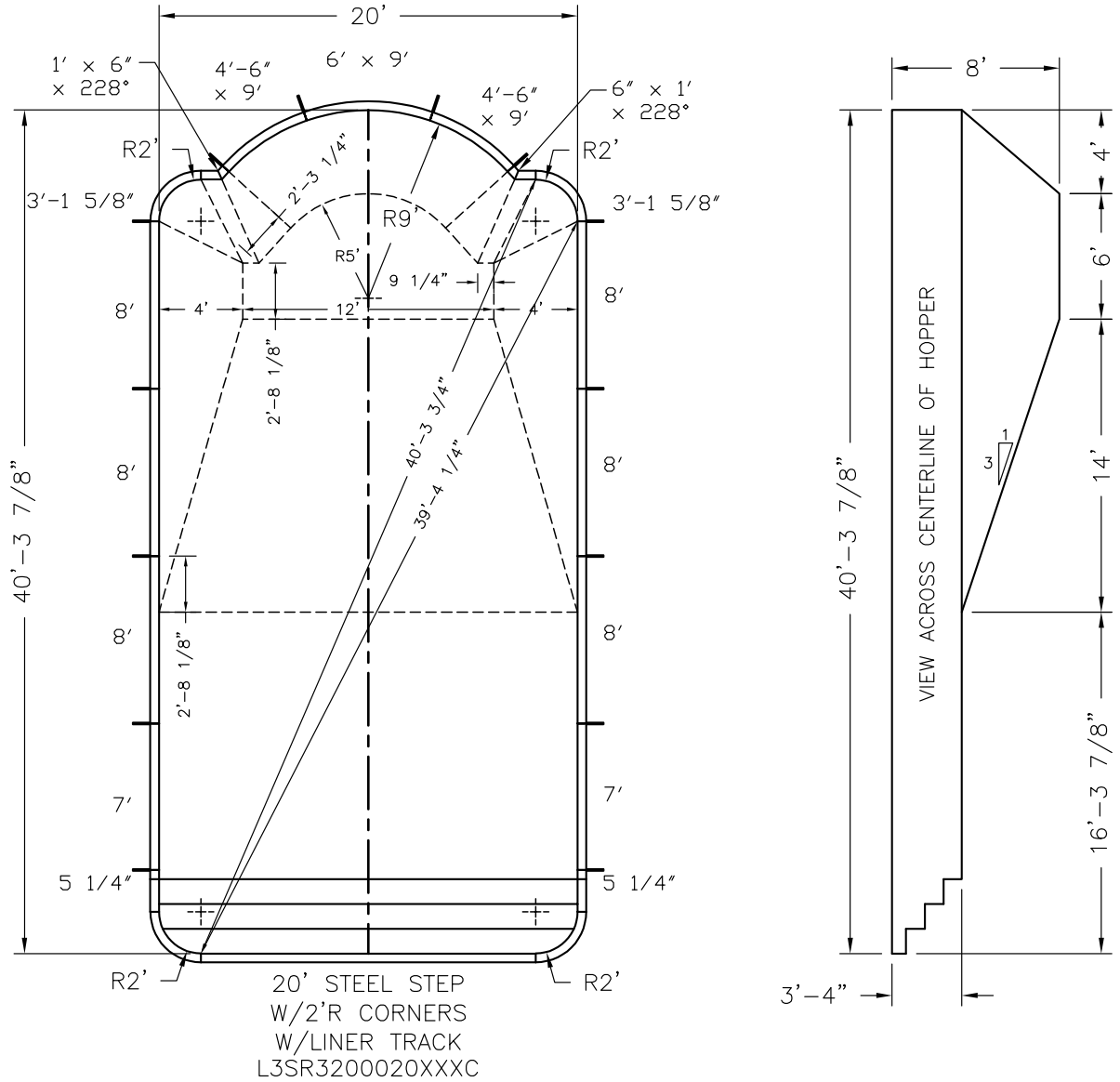


**Pool Size:** 20' X 40'  
**Pool Shape:** ROMAN END **Approx Gal:** 27,966  
**Pool Number:** 2040RE - 2R (STEEL L3)

250 Route 61 South, Schuylkill Haven, PA 17972 • 570-385-4733 • fax: 570-385-1318 • CustomerService@CardinalSystemsInc.com

### Bill of Materials

PART NO.	QUANTITY	DESCRIPTION
"A" FRAME	14	"A" FRAME ASSEMBLY
5C42315XX02000	2	2' RADIUS CORNER
L3SR3200020XXXC	1	20' STEEL STEP W/2' RADIUS CORNERS W/LINER TRACK
5C42460XX09000	2	4'-6" x 9' Radius C PANEL W/0 Z
5C42600XX09000	1	6' x 9' Radius C PANEL W/0 Z
5S42052XXX0	2	5 1/4" Straight PANEL W/0 Z
5S42700XXX2	2	7" Straight PANEL W/2 Z
5S42800XXX2	6	8" Straight PANEL W/2 Z
5T42060228100	1	6" x 1' x 228° ELL
5T42100228060	1	1' x 6" x 228° ELL



<b>Date:</b> 5/10/2022	<b>Perimeter:</b> 112'-6 7/8"	
<b>Drawn By:</b> JESSE H	<b>Area:</b> 768.8 SQ. FT.	
<b>Scale:</b> 1/8" = 1'-0"	<b>Notes:</b> - - - -	

This information is the confidential property of Cardinal Systems, Inc. Disclosure or duplication without proper written approval is strictly prohibited. Acceptance and use of this drawing constitutes knowledge and acceptance by the user of the terms and conditions set forth in the notice and warning which accompanied this drawing is incorporated herein and made part hereof and is found on Cardinal Systems, Inc's website at www.CardinalSystemsInc.com

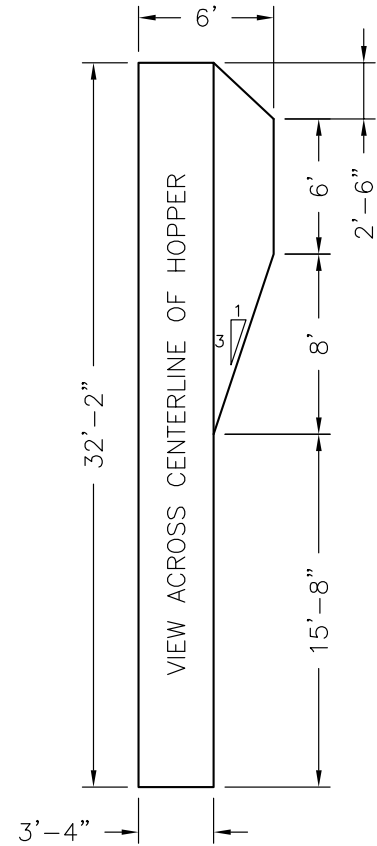
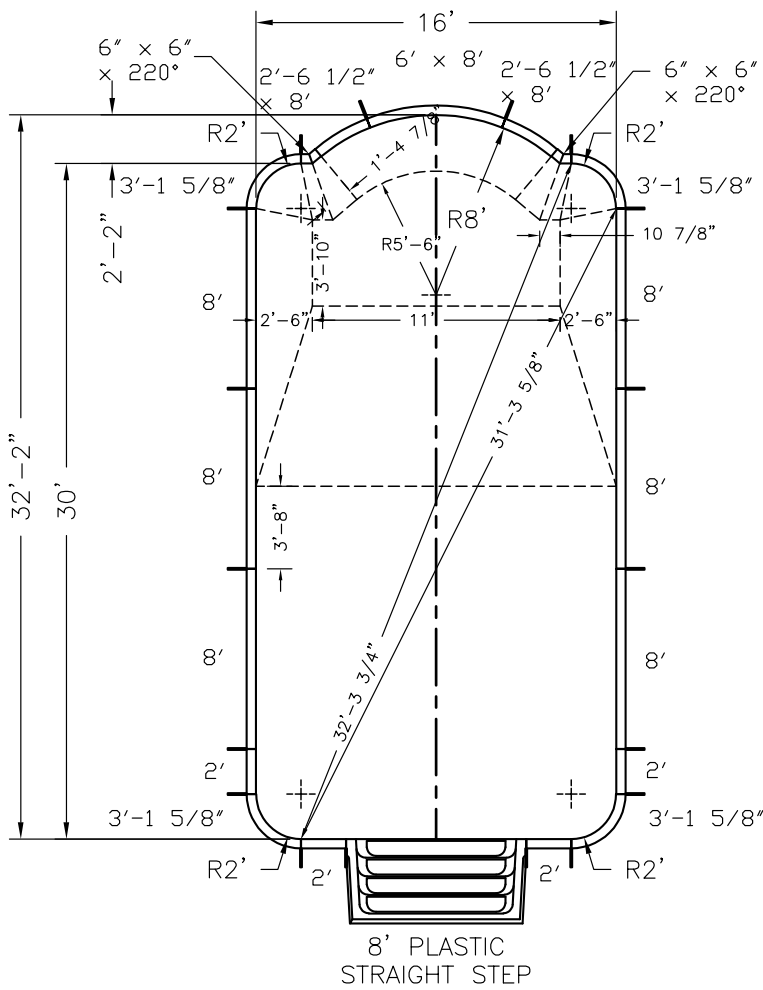


**Pool Size:** 16' X 32'  
**Pool Shape:** ROMAN END **Approx Gal:** 15,712  
**Pool Number:** 1632RE - 2R (PLASTIC)

250 Route 61 South, Schuylkill Haven, PA 17972 • 570-385-4733 • fax: 570-385-1318 • CustomerService@CardinalSystemsInc.com

### Bill of Materials

PART NO.	QUANTITY	DESCRIPTION
"A" FRAME	18	"A" FRAME ASSEMBLY
5C42315XX02000	4	2' RADIUS CORNER
5C42264XX08000	2	2'-6 1/2" x 8' Radius C PANEL W/O Z
5C42600XX08000	1	6' x 8' Radius C PANEL W/O Z
5S42200XXX0	4	2' Straight PANEL W/O Z
5S42800XXX2	6	8' Straight PANEL W/2 Z
5T42060220060	2	6" x 6" x 220° ELL



NOTE: THIS IS A NON DIVING POOL.

<b>Date:</b> 5/10/2022	<b>Perimeter:</b> 89'-8"	
<b>Drawn By:</b> JESSE H	<b>Area:</b> 492.9 SQ. FT.	
<b>Scale:</b> 1/8" = 1'-0"	<b>Notes:</b> - - - -	

This information is the confidential property of Cardinal Systems, Inc. Disclosure or duplication without proper written approval is strictly prohibited. Acceptance and use of this drawing constitutes knowledge and acceptance by the user of the terms and conditions set forth in the notice and warning which accompanied this drawing is incorporated herein and made part hereof and is found on Cardinal Systems, Inc's website at [www.CardinalSystemsInc.com](http://www.CardinalSystemsInc.com)

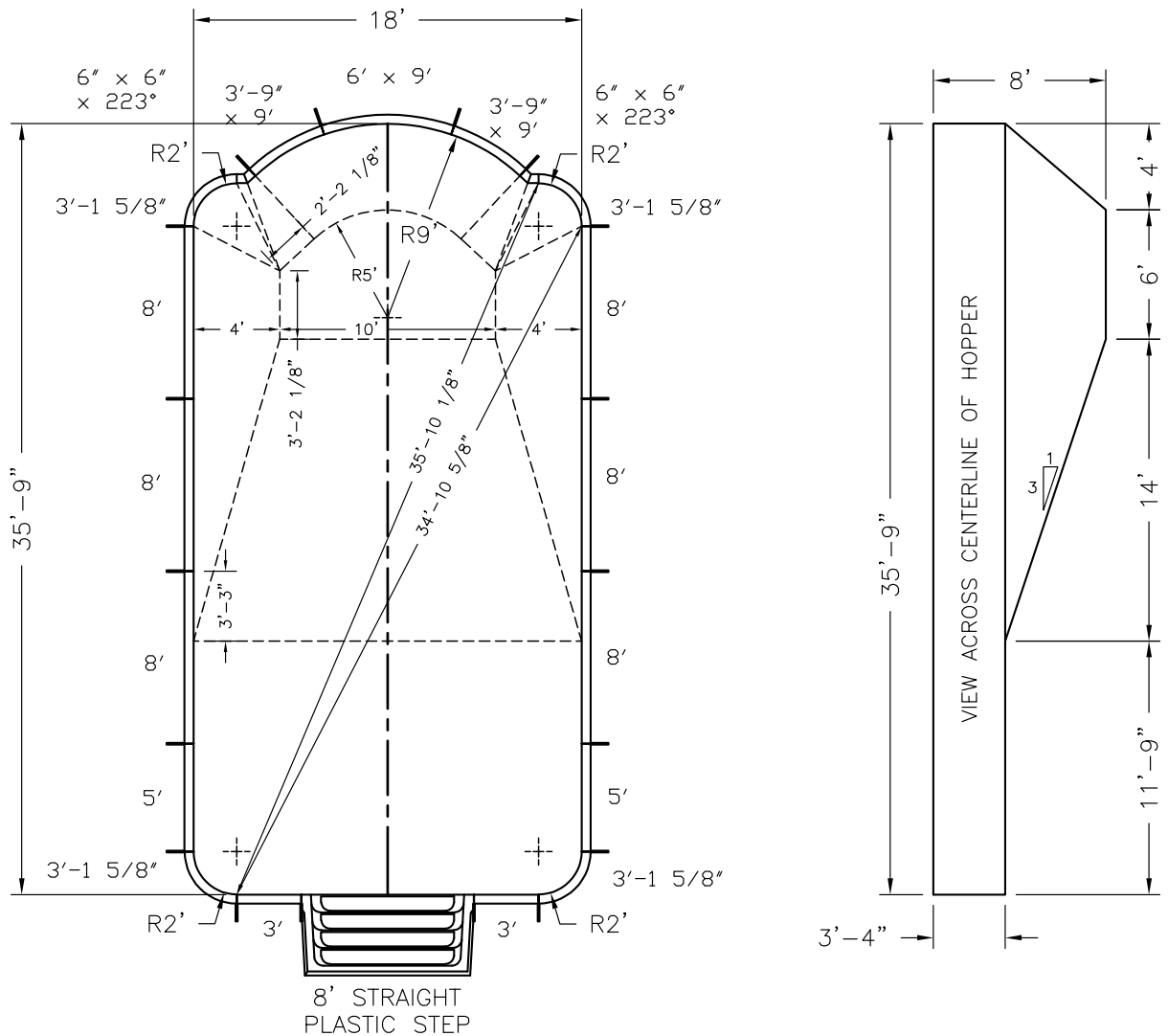



**Pool Size:** 18' X 36'  
**Pool Shape:** ROMAN END **Approx Gal:** 22,378  
**Pool Number:** 1836RE – 2R (PLASTIC)

250 Route 61 South, Schuylkill Haven, PA 17972 • 570-385-4733 • fax: 570-385-1318 • CustomerService@CardinalSystemsInc.com

Bill of Materials

PART NO.	QUANTITY	DESCRIPTION
"A" FRAME	18	"A" FRAME ASSEMBLY
5C42315XX02000	4	2' RADIUS CORNER
5C42390XX09000	2	3'-9" x 9' Radius C PANEL W/0 Z
5C42600XX09000	1	6' x 9' Radius C PANEL W/0 Z
5S42300XXX0	2	3' Straight PANEL W/0 Z
5S42500XXX0	2	5' Straight PANEL W/0 Z
5S42800XXX2	6	8' Straight PANEL W/2 Z
5T42060223060	2	6" x 6" x 223° ELL



<b>Date:</b> 5/10/2022	<b>Perimeter:</b> 100'-0 3/4"	 <small>cardinalpools.com</small>
<b>Drawn By:</b> JESSE H	<b>Area:</b> 615.2 SQ. FT.	
<b>Scale:</b> 1/8" = 1'-0"	<b>Notes:</b> - - - -	

This information is the confidential property of Cardinal Systems, Inc. Disclosure or duplication without proper written approval is strictly prohibited. Acceptance and use of this drawing constitutes knowledge and acceptance by the user of the terms and conditions set forth in the notice and warning which accompanied this drawing is incorporated herein and made part hereof and is found on Cardinal Systems, Inc's website at www.CardinalSystemsInc.com

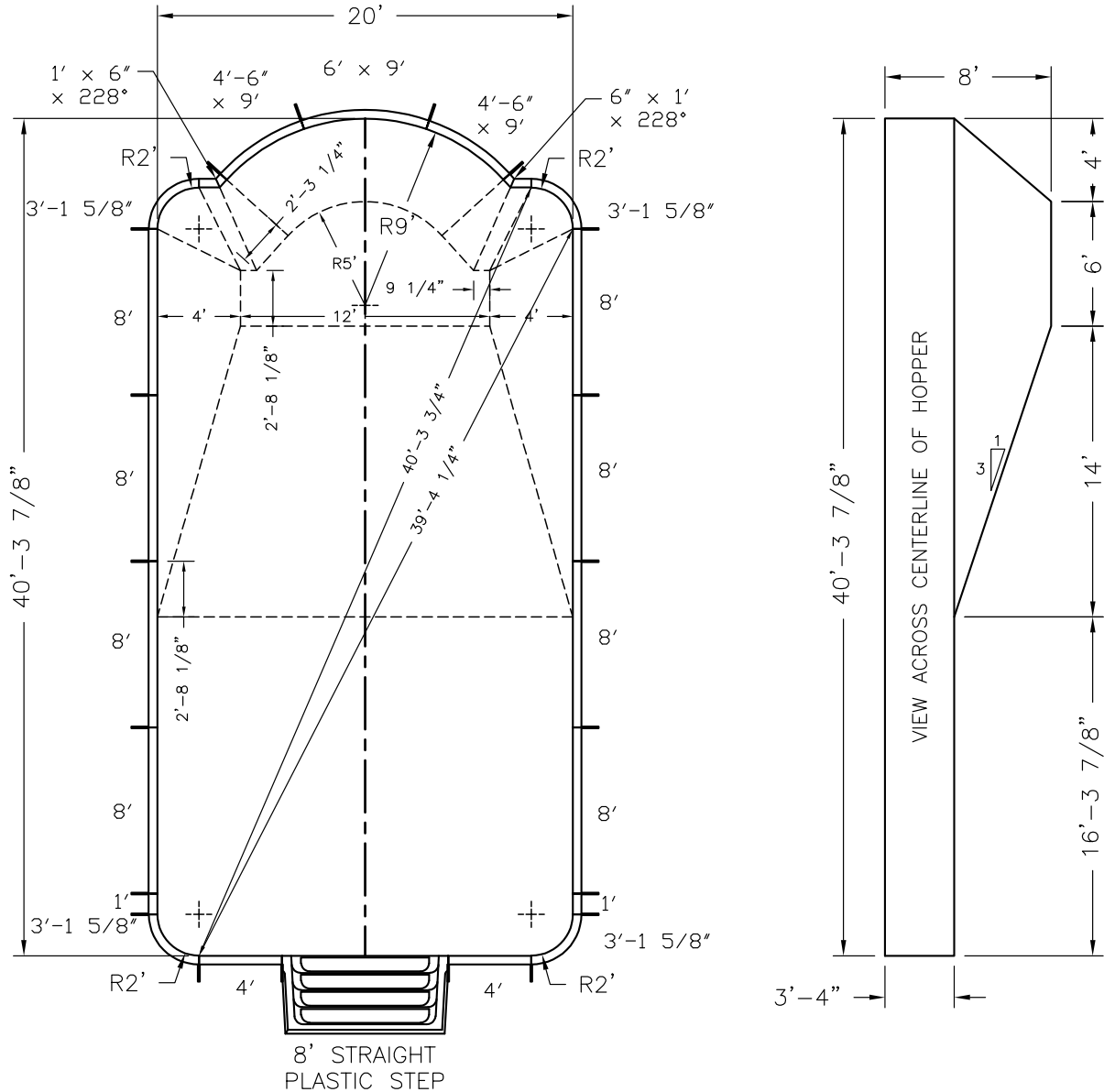



**Pool Size:** 20' X 40'  
**Pool Shape:** ROMAN END **Approx Gal:** 27,966  
**Pool Number:** 2040RE - 2R (PLASTIC)

250 Route 61 South, Schuylkill Haven, PA 17972 • 570-385-4733 • fax: 570-385-1318 • CustomerService@CardinalSystemsInc.com

### Bill of Materials

PART NO.	QUANTITY	DESCRIPTION
"A" FRAME	20	"A" FRAME ASSEMBLY
5C42315XX02000	4	2' RADIUS CORNER
5C42460XX09000	2	4'-6" x 9' Radius C PANEL W/O Z
5C42600XX09000	1	6' x 9' Radius C PANEL W/O Z
5S42100XXX0	2	1' Straight PANEL W/O Z
5S42400XXX0	2	4' Straight PANEL W/O Z
5S42800XXX2	8	8' Straight PANEL W/2 Z
5T42060228100	1	6" x 1' x 228° ELL
5T42100228060	1	1' x 6" x 228° ELL



<b>Date:</b> 5/10/2022	<b>Perimeter:</b> 112'-6 7/8"	 CardinalPools.com
<b>Drawn By:</b> JESSE H	<b>Area:</b> 768.8 SQ. FT.	
<b>Scale:</b> 1/8" = 1'-0"	<b>Notes:</b> - - - -	
This Information Is the confidential property of Cardinal Systems, Inc. Disclosure or duplication without proper written approval is strictly prohibited. Acceptance and use of this drawing constitutes knowledge and acceptance by the user of the terms and conditions set forth in the notice and warning which accompanied this drawing is incorporated herein and made part hereof and is found on Cardinal Systems, Inc's website at www.CardinalSystemsInc.com		