

8' RADIUS STEEL STEP
W/LINER TRACK
L3TR3080XXXXXXC

SCAN THE QR CODE

for supplemental Oasis drawings





Pool Size: 16' X 34'

Pool Shape: OASIS

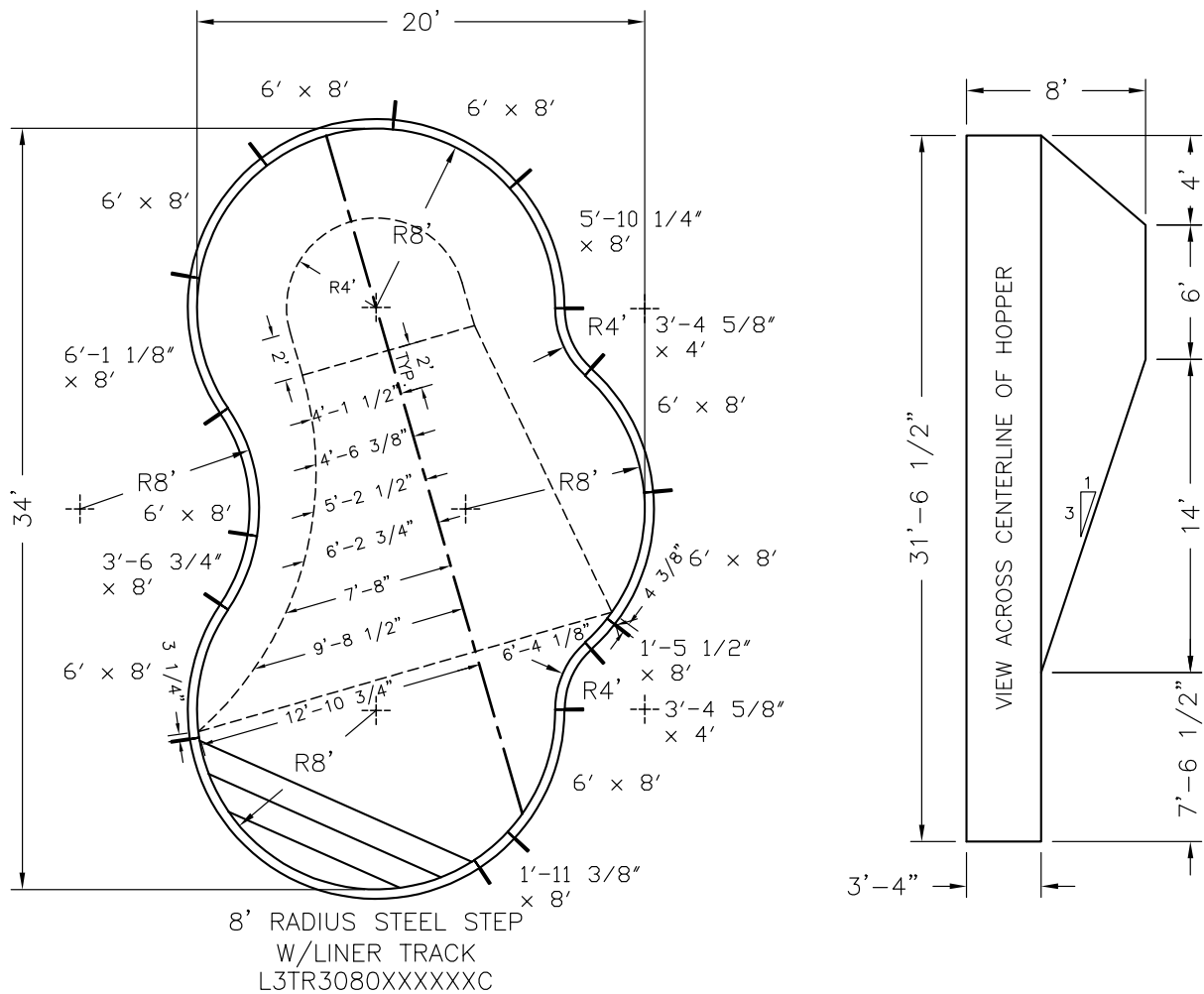
Approx Gal: 18,352

Pool Number: 1634OASIS – (STEEL)

250 Route 61 South, Schuylkill Haven, PA 17972 • 570-385-4733 • fax: 570-385-1318 • CustomerService@CardinalSystemsinc.com

Bill of Materials

PART NO.	QUANTITY	DESCRIPTION
"A" FRAME	16	"A" FRAME ASSEMBLY
L3TR3080XXXXXC	1	8' RADIUS STEEL STEP W/LINER TRACK
5C42154XX08000	1	1'-5 1/2" x 8' Radius C PANEL W/O Z
5C421E3XX08000	1	1'-11 3/8" x 8' Radius C PANEL W/O Z
5C425T2XX08000	1	5'-10 1/4" x 8' Radius C PANEL W/O Z
5C42600XX08000	7	6' x 8' Radius C PANEL W/O Z
5C42611XX08000	1	6'-1 1/8" x 8' Radius C PANEL W/O Z
5R42345XX04000	2	3'-4 5/8" x 4' Radius R PANEL W/O Z
5R42366XX08000	1	3'-6 3/4" x 8' Radius R PANEL W/O Z
5R42600XX08000	1	6' x 8' Radius R PANEL W/O Z



Date: 5/10/2022	Perimeter: 89'-8 1/8"
Drawn By: JESSE H	Area: 504.5 SQ. FT.
Scale: 1/8" = 1'-0"	Notes: -----



This information is the confidential property of Cardinal Systems, Inc. Disclosure or duplication without proper written approval is strictly prohibited. Acceptance and use of this drawing constitutes knowledge and acceptance by the user of the terms and conditions set forth in the notice and warning which accompanied this drawing is incorporated herein and made part hereof and is found on Cardinal Systems, Inc's website at www.CardinalSystemsInc.com



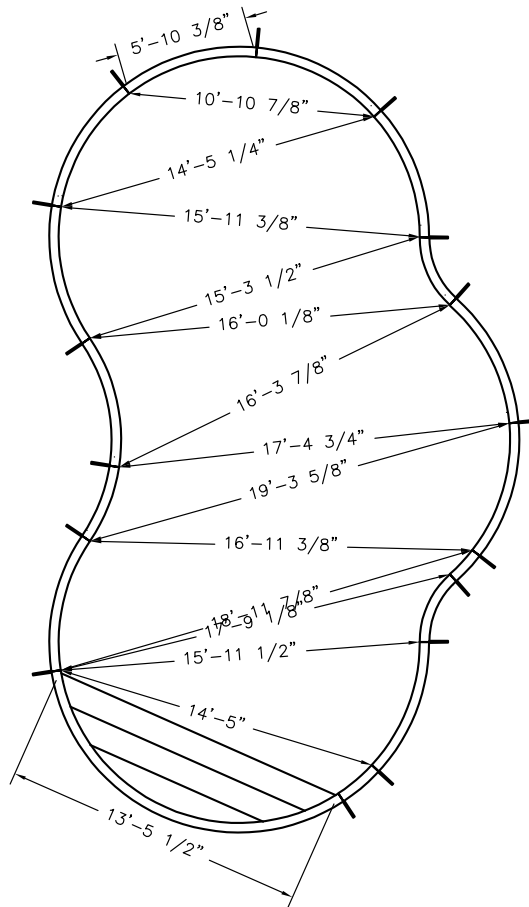
Pool Size: 16' X 34'

Pool Shape: OASIS

Pool Number: 1634OASIS – (STEEL)

Approx Gal: 18,352

250 Route 61 South, Schuylkill Haven, PA 17972 • 570-385-4733 • fax: 570-385-1318 • CustomerService@CardinalSystemsinc.com



Date: 5/10/2022

Perimeter: 89'-8 1/8"

Drawn By: JESSE H

Area: 504.5 SQ. FT.

Scale: 1/8" = 1'-0"

Notes: - - - -



cardinalpools.com

This information is the confidential property of Cardinal Systems, Inc. Disclosure or duplication without proper written approval is strictly prohibited. Acceptance and use of this drawing constitutes knowledge and acceptance by the user of the terms and conditions set forth in the notice and warning which accompanied this drawing is incorporated herein and made part hereof and is found on Cardinal Systems, Inc's website at www.CardinalSystemsInc.com



Pool Size: 18' X 36'

Pool Shape: OASIS

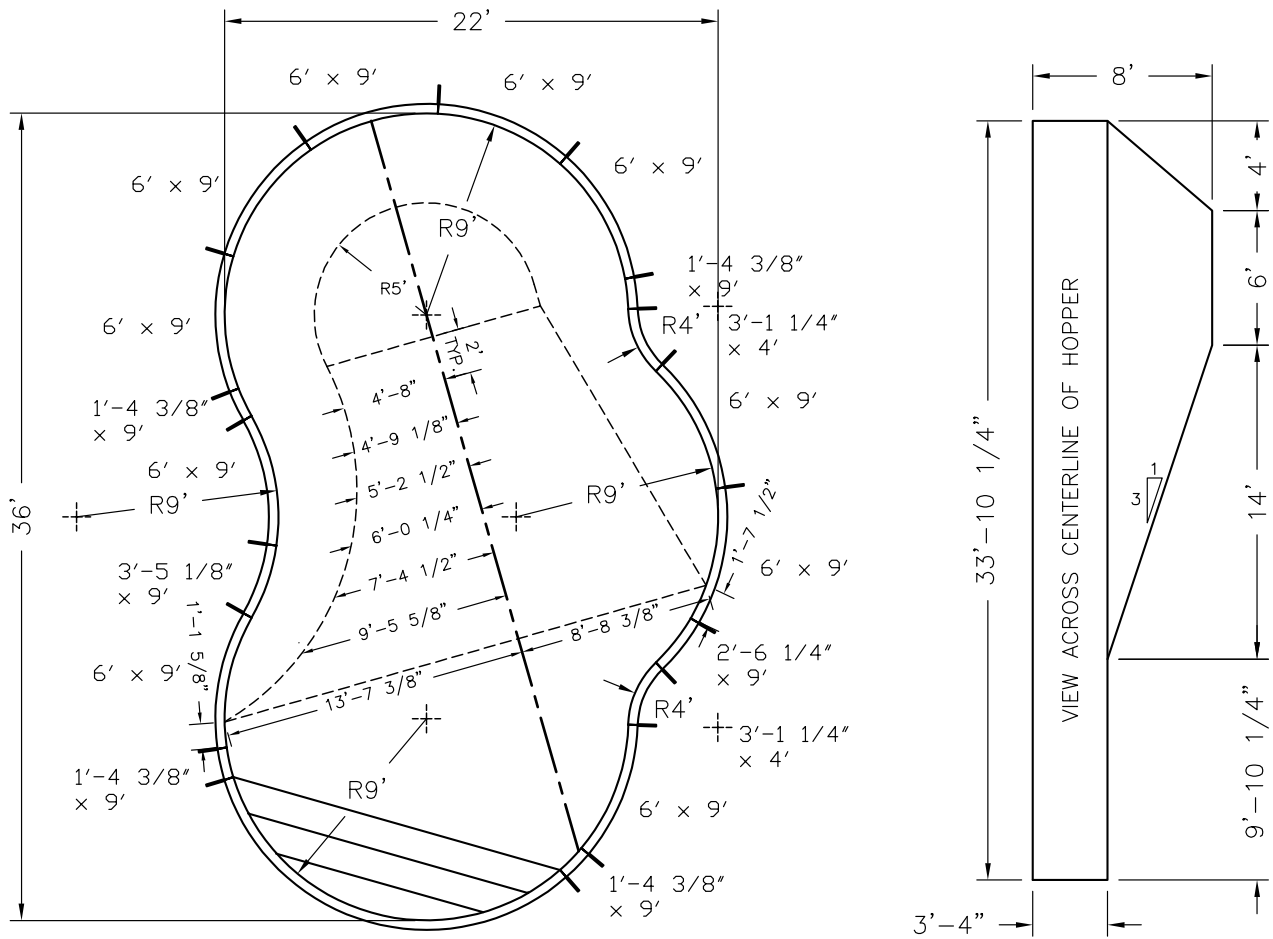
Approx Gal: 21,818

Pool Number: 18360ASIS – (STEEL)

250 Route 61 South, Schuylkill Haven, PA 17972 • 570-385-4733 • fax: 570-385-1318 • CustomerService@CardinalSystemsinc.com

Bill of Materials

PART NO.	QUANTITY	DESCRIPTION
"A" FRAME	19	"A" FRAME ASSEMBLY
L3TR3090XXXXXC	1	9' RADIUS STEEL STEP W/LINER TRACK
5C42143XX09000	4	1'-4 3/8" x 9' Radius C PANEL W/0 Z
5C42262XX09000	1	2'-6 1/4" x 9' Radius C PANEL W/0 Z
5C42600XX09000	9	6' x 9' Radius C PANEL W/0 Z
5R42312XX04000	2	3'-1 1/4" x 4' Radius R PANEL W/0 Z
5R42351XX09000	1	3'-5 1/8" x 9' Radius R PANEL W/0 Z
5R42600XX09000	1	6' x 9' Radius R PANEL W/0 Z



Date: 5/10/2022	Perimeter: 95'-7 1/4"	
Drawn By: JESSE H	Area: 599.8 SQ. FT.	
Scale: 1/8" = 1'-0"	Notes: -----	

This information is the confidential property of Cardinal Systems, Inc. Disclosure or duplication without proper written approval is strictly prohibited. Acceptance and use of this drawing constitutes knowledge and acceptance by the user of the terms and conditions set forth in the notice and warning which accompanied this drawing is incorporated herein and made part hereof and is found on Cardinal Systems, Inc's website at www.CardinalSystemsInc.com



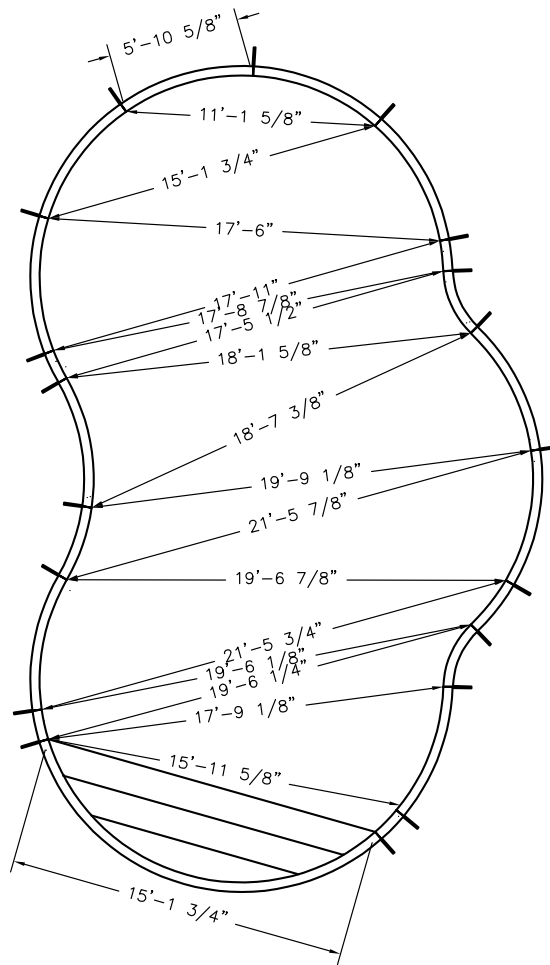
Pool Size: 18' X 36'

Pool Shape: OASIS

Approx Gal: 21,818

Pool Number: 1836OASIS – (STEEL)

250 Route 61 South, Schuylkill Haven, PA 17972 • 570-385-4733 • fax: 570-385-1318 • CustomerService@CardinalSystemsInc.com



Date: 5/10/2022

Perimeter: 95'-7 1/4"

Drawn By: JESSE H

Area: 599.8 SQ. FT.

Scale: 1/8" = 1'-0"

Notes: -----



cardinalpools.com

This information is the confidential property of Cardinal Systems, Inc. Disclosure or duplication without proper written approval is strictly prohibited. Acceptance and use of this drawing constitutes knowledge and acceptance by the user of the terms and conditions set forth in the notice and warning which accompanied this drawing is incorporated herein and made part hereof and is found on Cardinal Systems, Inc's website at www.CardinalSystemsInc.com



Pool Size: 18' X 38'

Pool Shape: OASIS

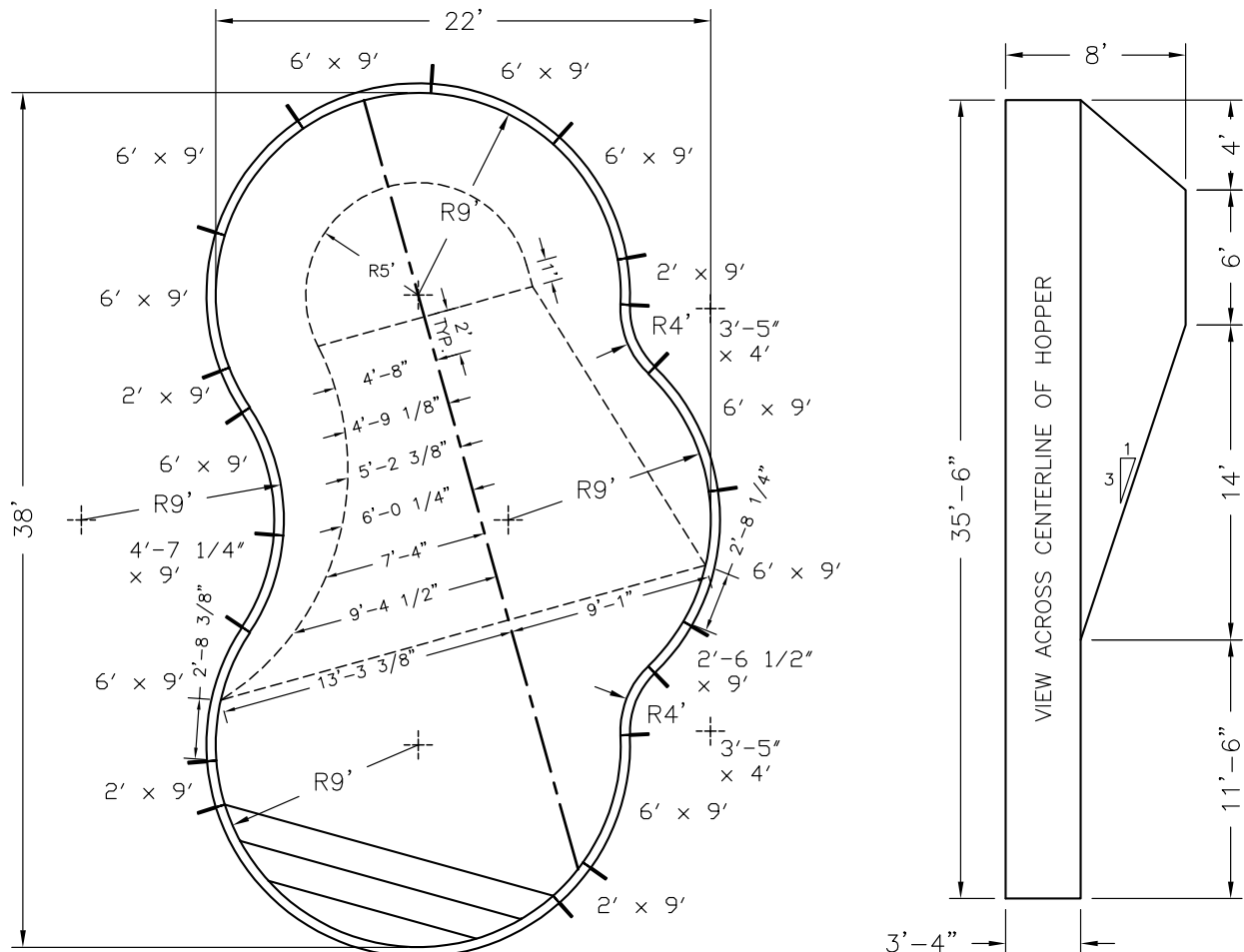
Approx Gal: 22,811

Pool Number: 18380ASIS – (STEEL)

250 Route 61 South, Schuylkill Haven, PA 17972 • 570-385-4733 • fax: 570-385-1318 • CustomerService@CardinalSystemsInc.com

Bill of Materials

PART NO.	QUANTITY	DESCRIPTION
"A" FRAME	19	"A" FRAME ASSEMBLY
L3TR3090XXXXXXC	1	9' RADIUS STEEL STEP W/LINER TRACK
5C42200XX09000	4	2' x 9' Radius C PANEL W/O Z
5C42264XX09000	1	2'-6 1/2" x 9' Radius C PANEL W/O Z
5C42600XX09000	9	6' x 9' Radius C PANEL W/O Z
5R42350XX04000	2	3'-5" x 4' Radius R PANEL W/O Z
5R42472XX09000	1	4'-7 1/4" x 9' Radius R PANEL W/O Z
5R42600XX09000	1	6' x 9' Radius R PANEL W/O Z



9' RADIUS STEEL STEP
W/LINER TRACK
L3TR3090XXXXXXC

Date: 5/10/2022

Perimeter: 99'-11 5/8"

Drawn By: JESSE H

Area: 627.1 SQ. FT.

Scale: 1/8" = 1'-0"

Notes: -----



cardinalpools.com

This information is the confidential property of Cardinal Systems, Inc. Disclosure or duplication without proper written approval is strictly prohibited. Acceptance and use of this drawing constitutes knowledge and acceptance by the user of the terms and conditions set forth in the notice and warning which accompanied this drawing is incorporated herein and made part hereof and is found on Cardinal Systems, Inc's website at www.CardinalSystemsInc.com



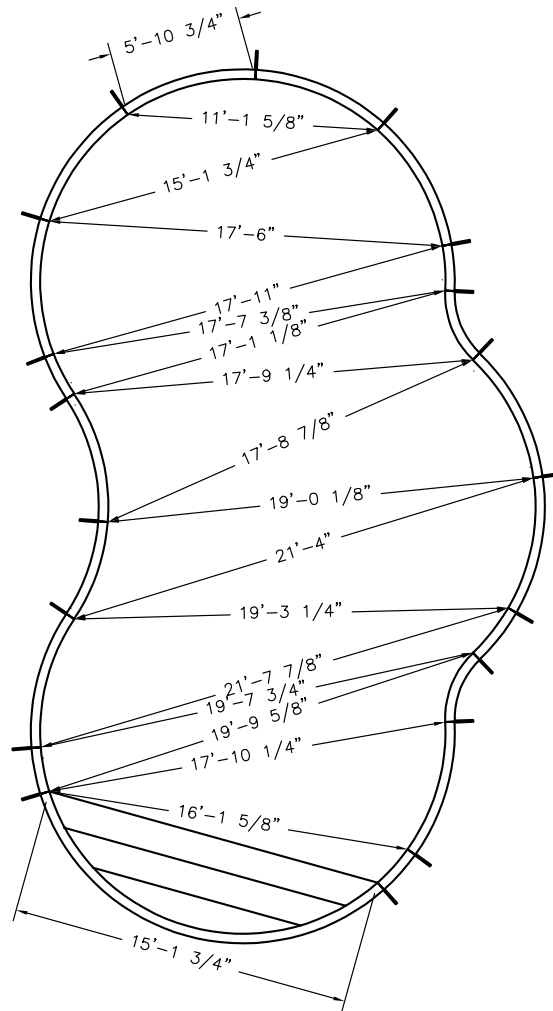
Pool Size: 18' X 38'

Pool Shape: OASIS

Pool Number: 1838OASIS – (STEEL)

Approx Gal: 22,811

250 Route 61 South, Schuylkill Haven, PA 17972 • 570-385-4733 • fax: 570-385-1318 • CustomerService@CardinalSystemsinc.com



Date: 5/10/2022

Perimeter: 99'-11 5/8"

Drawn By: JESSE H

Area: 627.1 SQ. FT.

Scale: 1/8" = 1'-0"

Notes: -----



cardinalpools.com

This information is the confidential property of Cardinal Systems, Inc. Disclosure or duplication without proper written approval is strictly prohibited. Acceptance and use of this drawing constitutes knowledge and acceptance by the user of the terms and conditions set forth in the notice and warning which accompanied this drawing is incorporated herein and made part hereof and is found on Cardinal Systems, Inc's website at www.CardinalSystemsInc.com

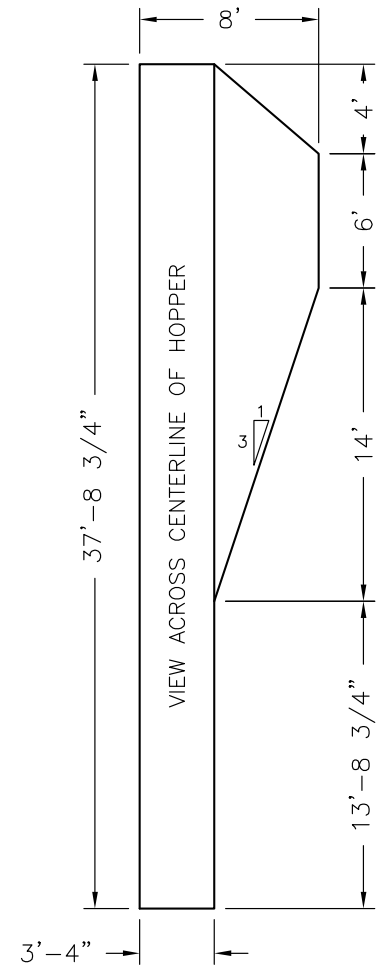
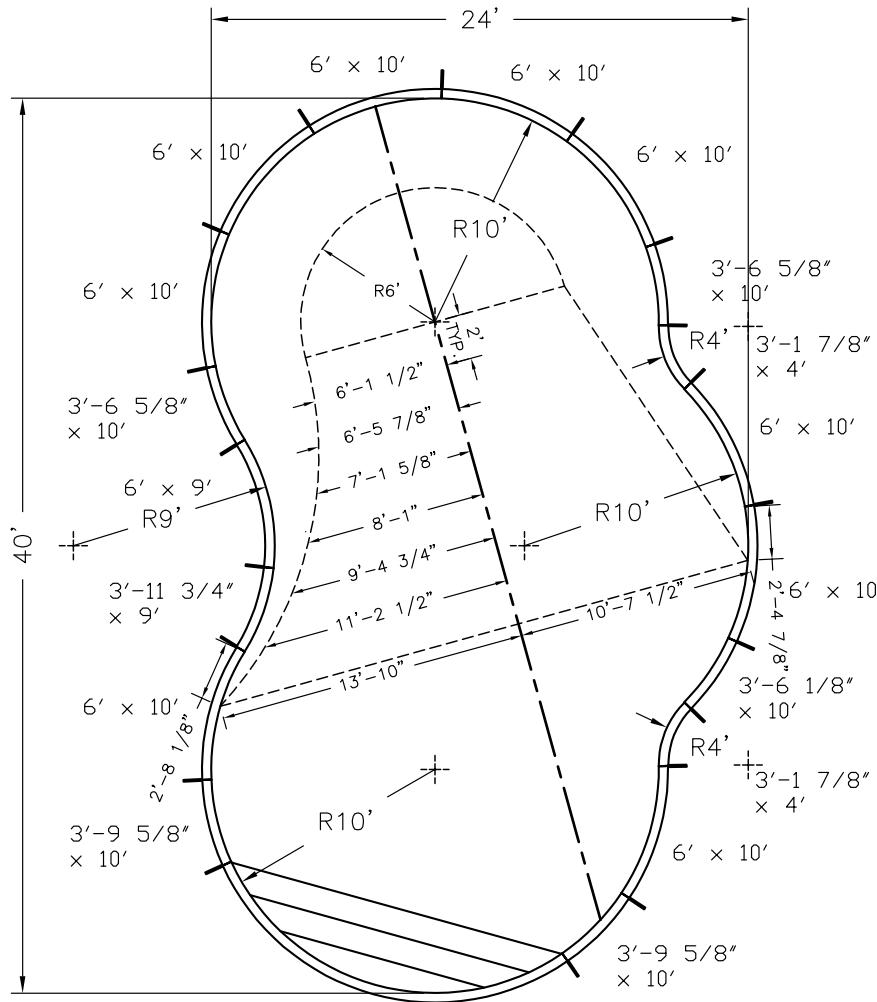


Pool Size: 20' X 40'
Pool Shape: OASIS
Pool Number: 20400ASIS – (STEEL)
Approx Gal: 26,620

250 Route 61 South, Schuylkill Haven, PA 17972 • 570-385-4733 • fax: 570-385-1318 • CustomerService@CardinalSystemsinc.com

Bill of Materials

PART NO.	QUANTITY	DESCRIPTION
"A" FRAME	19	"A" FRAME ASSEMBLY
L3TR3100XXXXXXC	1	10' RADIUS STEEL STEP W/LINER TRACK
5C42361XX10000	1	3'-6 1/8" x 10' Radius C PANEL W/O Z
5C42365XX10000	2	3'-6 5/8" x 10' Radius C PANEL W/O Z
5C42395XX10000	2	3'-9 5/8" x 10' Radius C PANEL W/O Z
5C42600XX10000	9	6' x 10' Radius C PANEL W/O Z
5R42317XX04000	2	3'-1 7/8" x 4' Radius R PANEL W/O Z
5R423E6XX09000	1	3'-11 3/4" x 9' Radius R PANEL W/O Z
5R42600XX09000	1	6' x 9' Radius R PANEL W/O Z



10' RADIUS STEEL STEP
W/LINER TRACK
L3TR3100XXXXXXC

Date: 5/10/2022

Perimeter: 106'-0"

Drawn By: JESSE H

Area: 731.8 SQ. FT.

Scale: 1/8" = 1'-0"

Notes: -----



cardinalpools.com

This information is the confidential property of Cardinal Systems, Inc. Disclosure or duplication without proper written approval is strictly prohibited. Acceptance and use of this drawing constitutes knowledge and acceptance by the user of the terms and conditions set forth in the notice and warning which accompanied this drawing is incorporated herein and made part hereof and is found on Cardinal Systems, Inc's website at www.CardinalSystemsInc.com



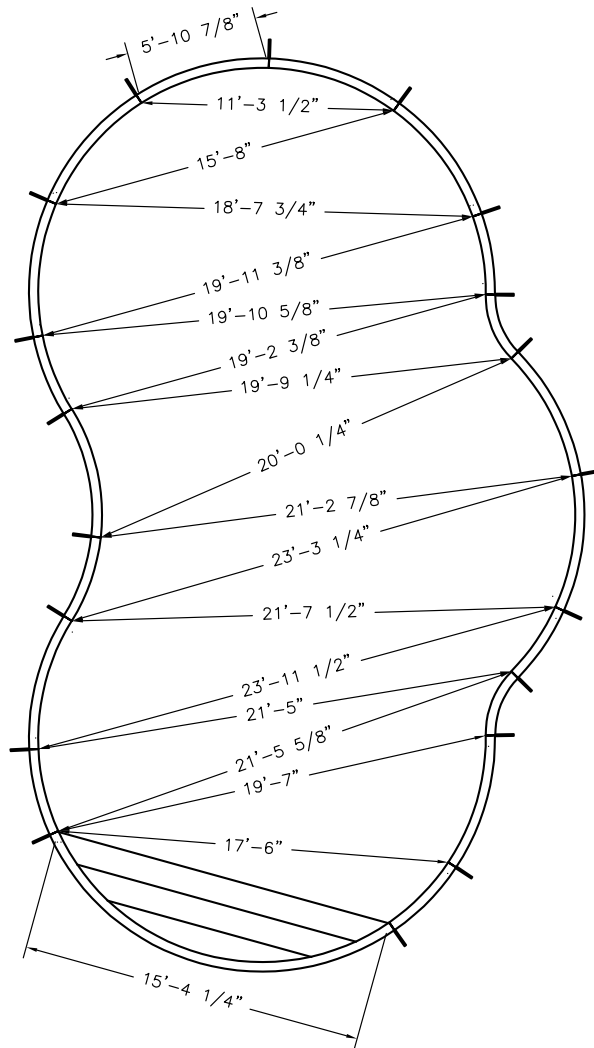
Pool Size: 20' X 40'

Pool Shape: OASIS

Pool Number: 20400ASIS – (STEEL)

Approx Gal: 26,620

250 Route 61 South, Schuylkill Haven, PA 17972 • 570-385-4733 • fax: 570-385-1318 • CustomerService@CardinalSystemsinc.com



Date: 5/10/2022

Perimeter: 106'-0"

Drawn By: JESSE H

Area: 731.8 SQ. FT.

Scale: 1/8" = 1'-0"

Notes: -----



cardinalpools.com

This Information Is the confidential property of Cardinal Systems, Inc. Disclosure or duplication without proper written approval is strictly prohibited. Acceptance and use of this drawing constitutes knowledge and acceptance by the user of the terms and conditions set forth in the notice and warning which accompanied this drawing is incorporated herein and made part hereof and is found on Cardinal Systems, Inc's website at www.CardinalSystemsInc.com



Pool Size: 16' X 34'

Pool Shape: OASIS

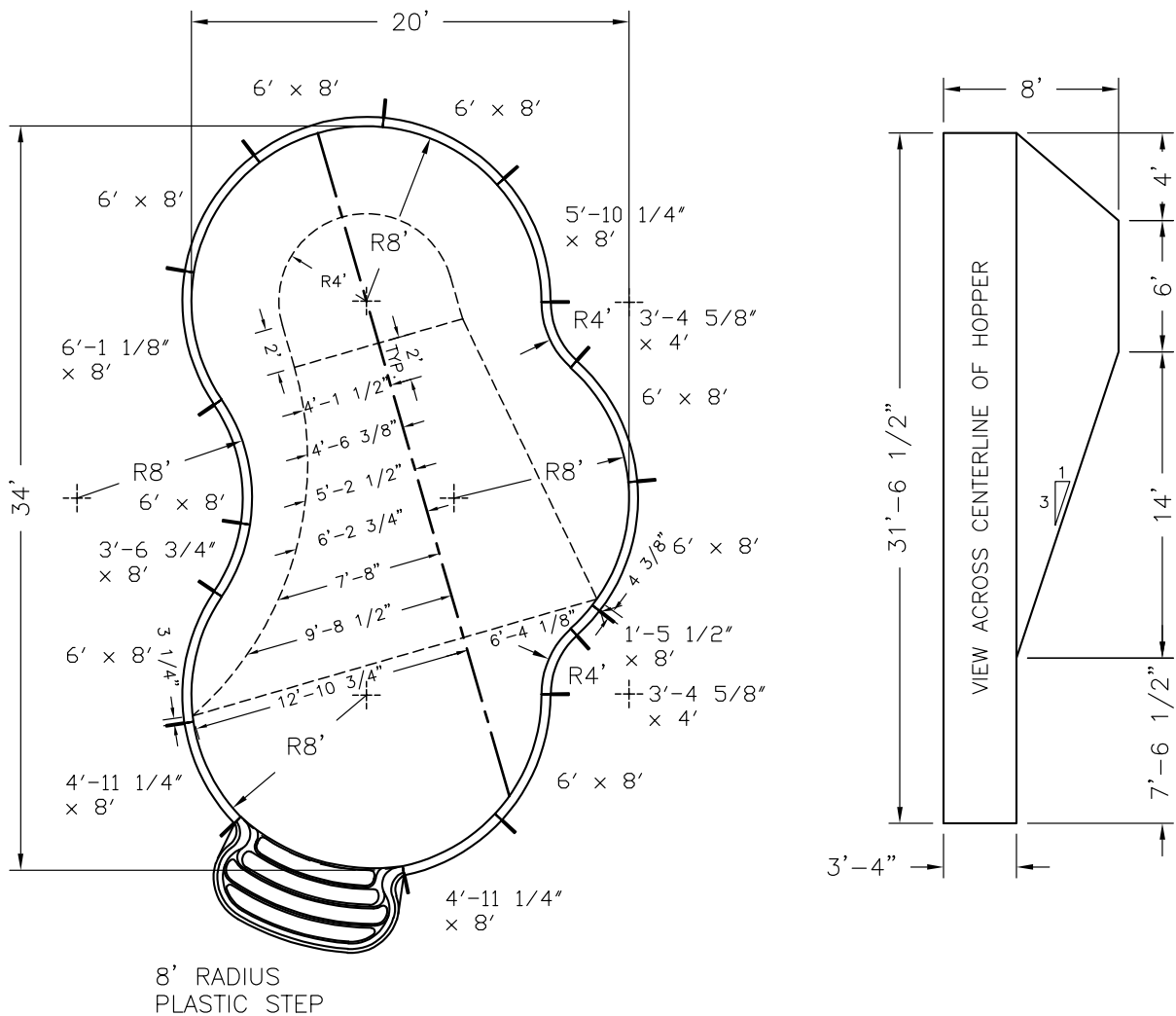
Approx Gal: 18,326

Pool Number: 1634OASIS – (PLASTIC)

250 Route 61 South, Schuylkill Haven, PA 17972 • 570-385-4733 • fax: 570-385-1318 • CustomerService@CardinalSystemsinc.com

Bill of Materials

PART NO.	QUANTITY	DESCRIPTION
"A" FRAME	17	"A" FRAME ASSEMBLY
5C42154XX08000	1	1'-5 1/2" x 8' Radius C PANEL W/O Z
5C424E2XX08000	2	4'-11 1/4" x 8' Radius C PANEL W/O Z
5C425T2XX08000	1	5'-10 1/4" x 8' Radius C PANEL W/O Z
5C42600XX08000	7	6' x 8' Radius C PANEL W/O Z
5C42611XX08000	1	6'-1 1/8" x 8' Radius C PANEL W/O Z
5R42345XX04000	2	3'-4 5/8" x 4' Radius R PANEL W/O Z
5R42366XX08000	1	3'-6 3/4" x 8' Radius R PANEL W/O Z
5R42600XX08000	1	6' x 8' Radius R PANEL W/O Z



Date: 5/10/2022	Perimeter: 89'-7 1/4"	
Drawn By: JESSE H	Area: 503.8 SQ. FT.	
Scale: 1/8" = 1'-0"	Notes: -----	

This information is the confidential property of Cardinal Systems, Inc. Disclosure or duplication without proper written approval is strictly prohibited. Acceptance and use of this drawing constitutes knowledge and acceptance by the user of the terms and conditions set forth in the notice and warning which accompanied this drawing is incorporated herein and made part hereof and is found on Cardinal Systems, Inc's website at www.CardinalSystemsInc.com



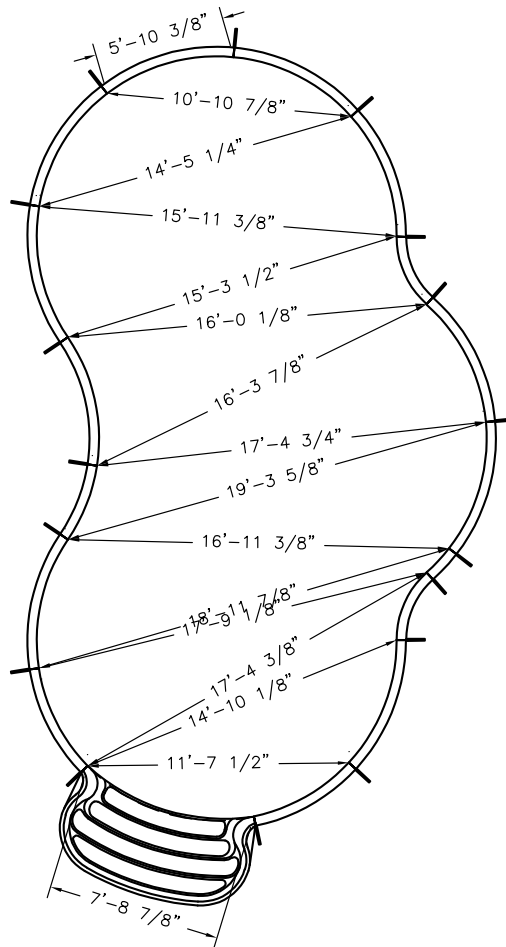
Pool Size: 16' X 34'


Pool Shape: OASIS

Approx Gal: 18,326

Pool Number: 1634OASIS – (PLASTIC)

250 Route 61 South, Schuylkill Haven, PA 17972 • 570-385-4733 • fax: 570-385-1318 • CustomerService@CardinalSystemsinc.com



Date: 5/10/2022	Perimeter: 89'-7 1/4"	 cardinalpools.com
Drawn By: JESSE H	Area: 503.8 SQ. FT.	
Scale: 1/8" = 1'-0"	Notes: -----	

This information is the confidential property of Cardinal Systems, Inc. Disclosure or duplication without proper written approval is strictly prohibited. Acceptance and use of this drawing constitutes knowledge and acceptance by the user of the terms and conditions set forth in the notice and warning which accompanied this drawing is incorporated herein and made part hereof and is found on Cardinal Systems, Inc's website at www.CardinalSystemsInc.com



Pool Size: 18' X 36'

Pool Shape: OASIS

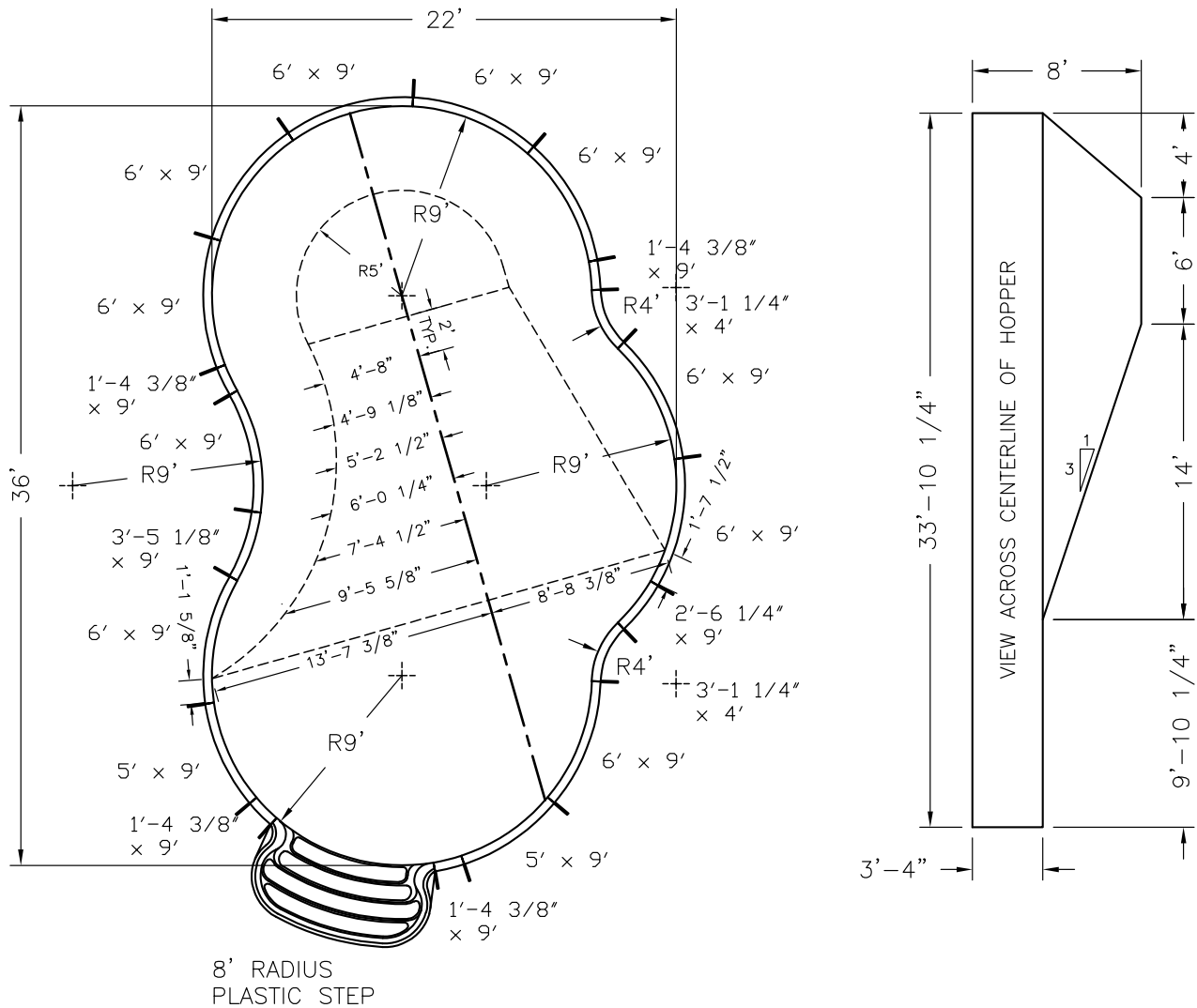
Approx Gal: 21,818

Pool Number: 18360ASIS – (PLASTIC)

250 Route 61 South, Schuylkill Haven, PA 17972 • 570-385-4733 • fax: 570-385-1318 • CustomerService@CardinalSystemsinc.com

Bill of Materials

PART NO.	QUANTITY	DESCRIPTION
"A" FRAME	21	"A" FRAME ASSEMBLY
5C42262XX09000	1	2'-6 1/4" x 9' Radius C PANEL W/O Z
5C42500XX09000	2	5' x 9' Radius C PANEL W/O Z
5C42600XX09000	9	6' x 9' Radius C PANEL W/O Z
5C42143XX09000	4	1'-4 3/8" x 9' Radius C PANEL W/O Z
5R42312XX04000	2	3'-1 1/4" x 4' Radius R PANEL W/O Z
5R42351XX09000	1	3'-5 1/8" x 9' Radius R PANEL W/O Z
5R42600XX09000	1	6' x 9' Radius R PANEL W/O Z



Date: 5/10/2022	Perimeter: 95'-7 1/4"	
Drawn By: JESSE H	Area: 599.8 SQ. FT.	
Scale: 1/8" = 1'-0"	Notes: -----	

This information is the confidential property of Cardinal Systems, Inc. Disclosure or duplication without proper written approval is strictly prohibited. Acceptance and use of this drawing constitutes knowledge and acceptance by the user of the terms and conditions set forth in the notice and warning which accompanied this drawing is incorporated herein and made part hereof and is found on Cardinal Systems, Inc's website at www.CardinalSystemsInc.com



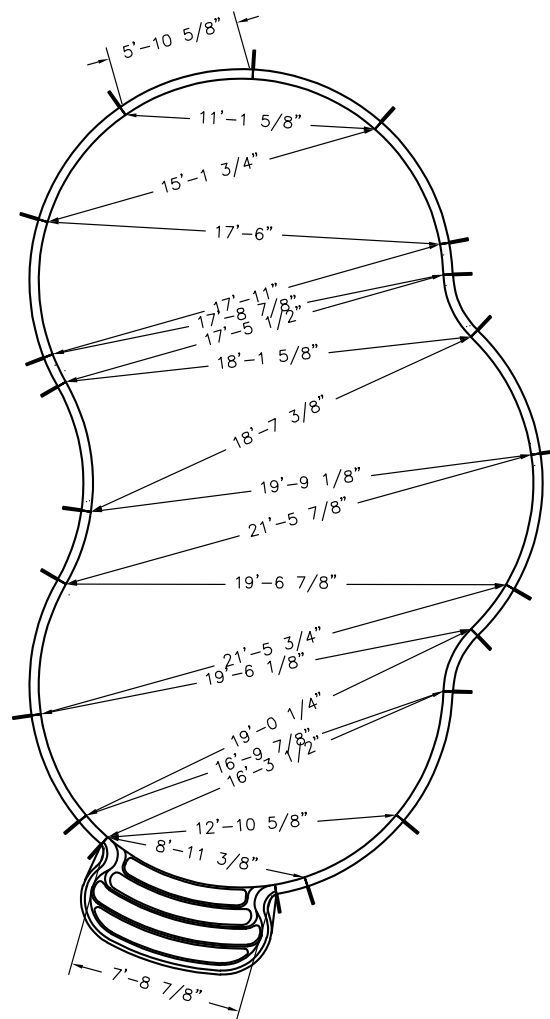
Pool Size: 18' X 36'

Pool Shape: OASIS

Approx Gal: 21,818

Pool Number: 1836OASIS – (PLASTIC)

250 Route 61 South, Schuylkill Haven, PA 17972 • 570-385-4733 • fax: 570-385-1318 • CustomerService@CardinalSystemsinc.com



Date: 5/10/2022

Perimeter: 95'-7 1/4"

Drawn By: JESSE H

Area: 599.8 SQ. FT.

Scale: 1/8" = 1'-0"

Notes: -----



cardinalpools.com

This information is the confidential property of Cardinal Systems, Inc. Disclosure or duplication without proper written approval is strictly prohibited. Acceptance and use of this drawing constitutes knowledge and acceptance by the user of the terms and conditions set forth in the notice and warning which accompanied this drawing is incorporated herein and made part hereof and is found on Cardinal Systems, Inc's website at www.CardinalSystemsInc.com



Pool Size: 18' X 38'

Pool Shape: OASIS

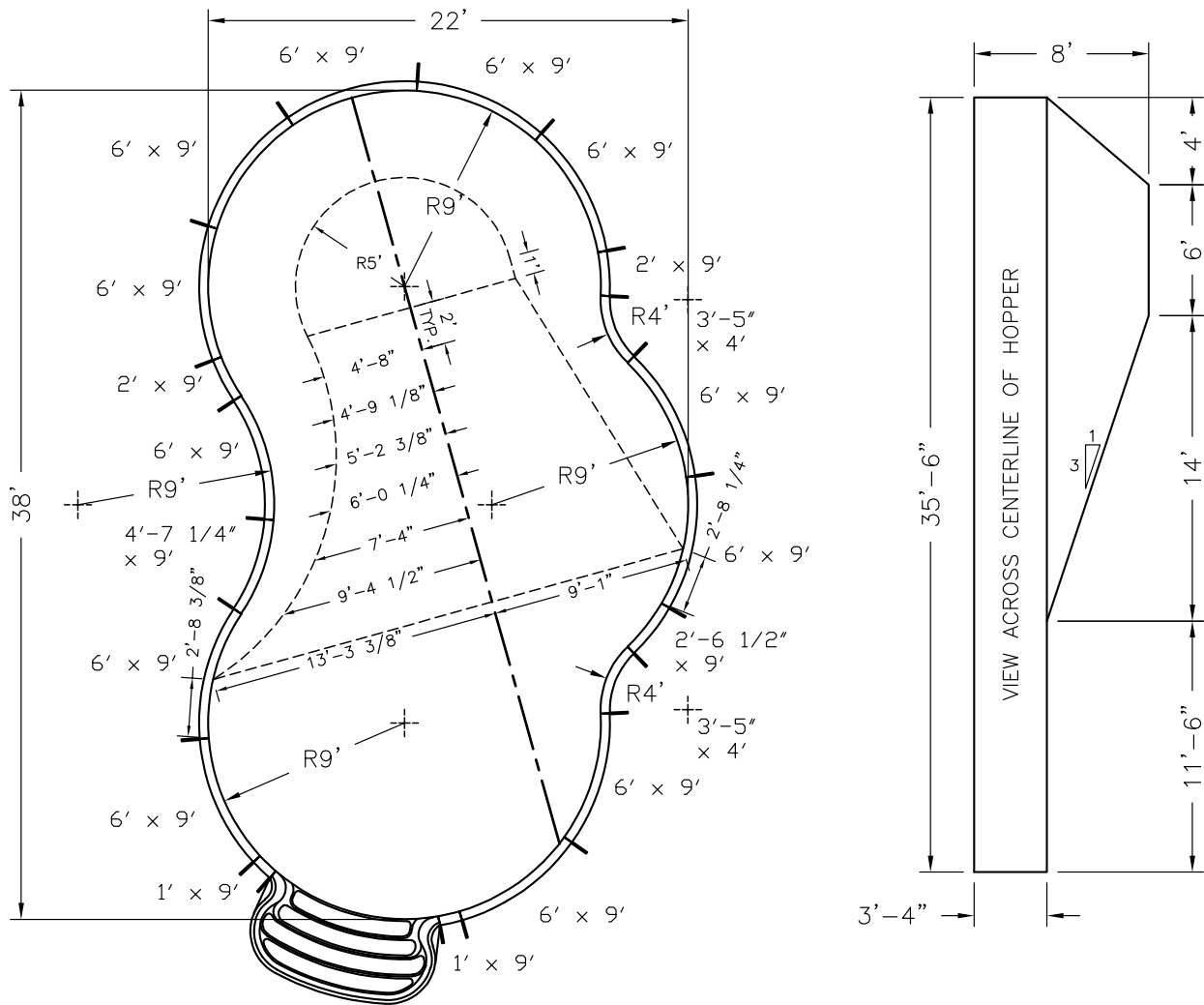
Approx Gal: 22,811

Pool Number: 18380ASIS – (PLASTIC)

250 Route 61 South, Schuylkill Haven, PA 17972 • 570-385-4733 • fax: 570-385-1318 • CustomerService@CardinalSystemsinc.com

Bill of Materials

PART NO.	QUANTITY	DESCRIPTION
"A" FRAME	21	"A" FRAME ASSEMBLY
5C42100XX09000	2	1' x 9' Radius C PANEL W/O Z
5C42200XX09000	2	2' x 9' Radius C PANEL W/O Z
5C42264XX09000	1	2'-6 1/2" x 9' Radius C PANEL W/O Z
5C42600XX09000	11	6' x 9' Radius C PANEL W/O Z
5R42350XX04000	2	3'-5" x 4' Radius R PANEL W/O Z
5R42472XX09000	1	4'-7 1/4" x 9' Radius R PANEL W/O Z
5R42600XX09000	1	6' x 9' Radius R PANEL W/O Z



8' RADIUS
PLASTIC STEP

Date: 5/10/2022

Perimeter: 99'-11 5/8"

Drawn By: JESSE H

Area: 627.1 SQ. FT.

Scale: 1/8" = 1'-0"

Notes: -----



cardinalpools.com

This information is the confidential property of Cardinal Systems, Inc. Disclosure or duplication without proper written approval is strictly prohibited. Acceptance and use of this drawing constitutes knowledge and acceptance by the user of the terms and conditions set forth in the notice and warning which accompanied this drawing is incorporated herein and made part hereof and is found on Cardinal Systems, Inc's website at www.CardinalSystemsInc.com



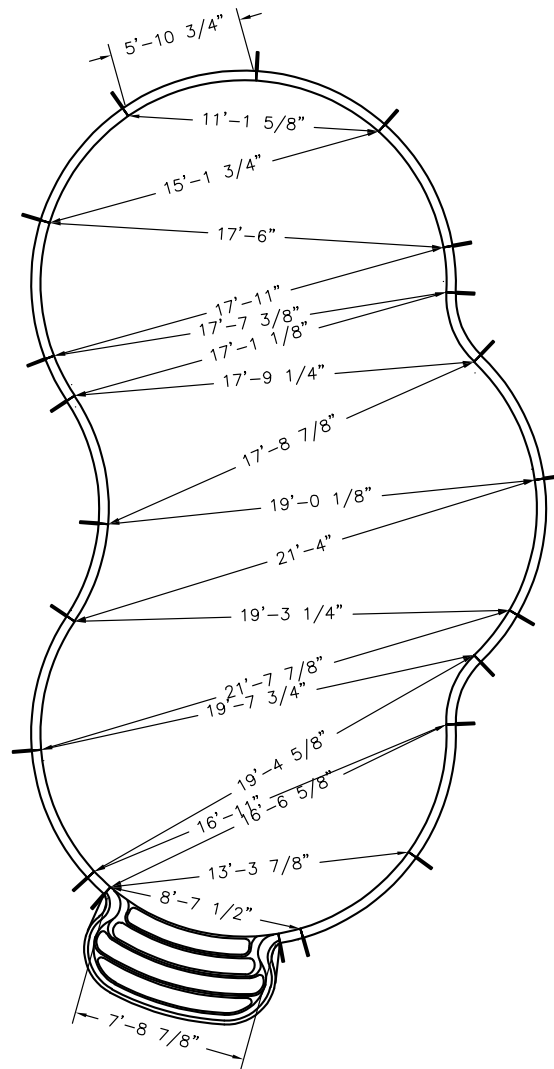
Pool Size: 18' X 38'


Pool Shape: OASIS

Approx Gal: 22,811

Pool Number: 18380ASIS – (PLASTIC)

250 Route 61 South, Schuylkill Haven, PA 17972 • 570-385-4733 • fax: 570-385-1318 • CustomerService@CardinalSystemsInc.com



Date: 5/10/2022	Perimeter: 99'-11 5/8"	 cardinalpools.com
Drawn By: JESSE H	Area: 627.1 SQ. FT.	
Scale: 1/8" = 1'-0"	Notes: -----	

This Information is the confidential property of Cardinal Systems, Inc. Disclosure or duplication without proper written approval is strictly prohibited. Acceptance and use of this drawing constitutes knowledge and acceptance by the user of the terms and conditions set forth in the notice and warning which accompanied this drawing is incorporated herein and made part hereof and is found on Cardinal Systems, Inc's website at www.CardinalSystemsInc.com



Pool Size: 20' X 40'

Pool Shape: OASIS

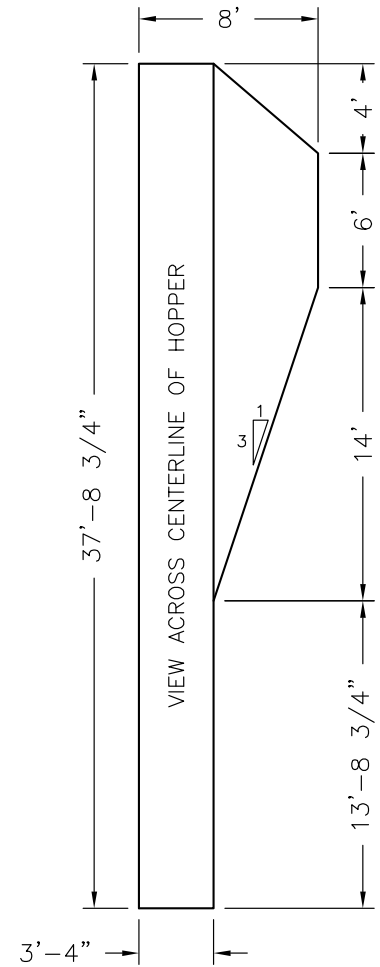
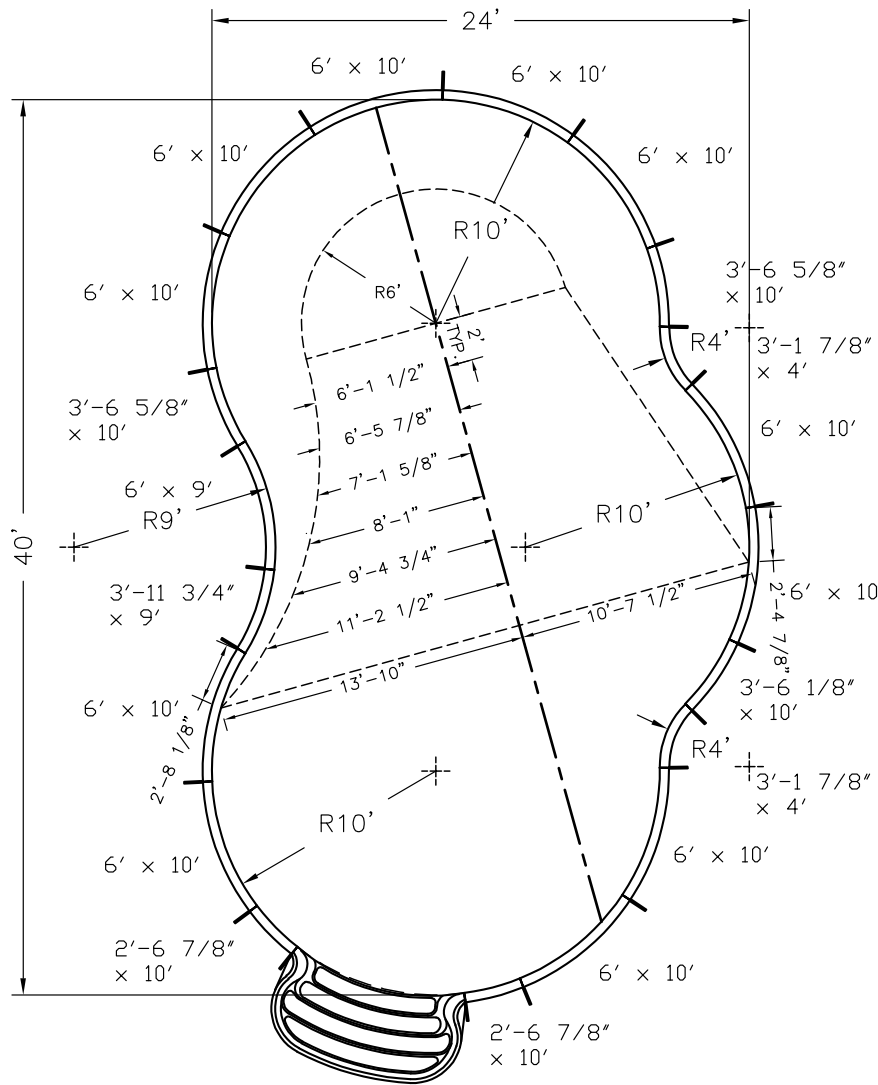
Approx Gal: 26,638

Pool Number: 20400ASIS – (PLASTIC)

250 Route 61 South, Schuylkill Haven, PA 17972 • 570-385-4733 • fax: 570-385-1318 • CustomerService@CardinalSystemsinc.com

Bill of Materials

PART NO.	QUANTITY	DESCRIPTION
"A" FRAME	21	"A" FRAME ASSEMBLY
5C42267XX10000	2	2'-6 7/8" x 10' Radius C PANEL W/O Z
5C42361XX10000	1	3'-6 1/8" x 10' Radius C PANEL W/O Z
5C42365XX10000	2	3'-6 5/8" x 10' Radius C PANEL W/O Z
5C42600XX10000	11	6' x 10' Radius C PANEL W/O Z
5R42317XX04000	2	3'-1 7/8" x 4' Radius R PANEL W/O Z
5R423E6XX09000	1	3'-11 3/4" x 9' Radius R PANEL W/O Z
5R42600XX09000	1	6' x 9' Radius R PANEL W/O Z



8' RADIUS
PLASTIC STEP

Date: 5/10/2022

Perimeter: 106'-0 3/4"

Drawn By: JESSE H

Area: 732.3 SQ. FT.

Scale: 1/8" = 1'-0"

Notes: -----



cardinalpools.com

This information is the confidential property of Cardinal Systems, Inc. Disclosure or duplication without proper written approval is strictly prohibited. Acceptance and use of this drawing constitutes knowledge and acceptance by the user of the terms and conditions set forth in the notice and warning which accompanied this drawing is incorporated herein and made part hereof and is found on Cardinal Systems, Inc's website at www.CardinalSystemsInc.com



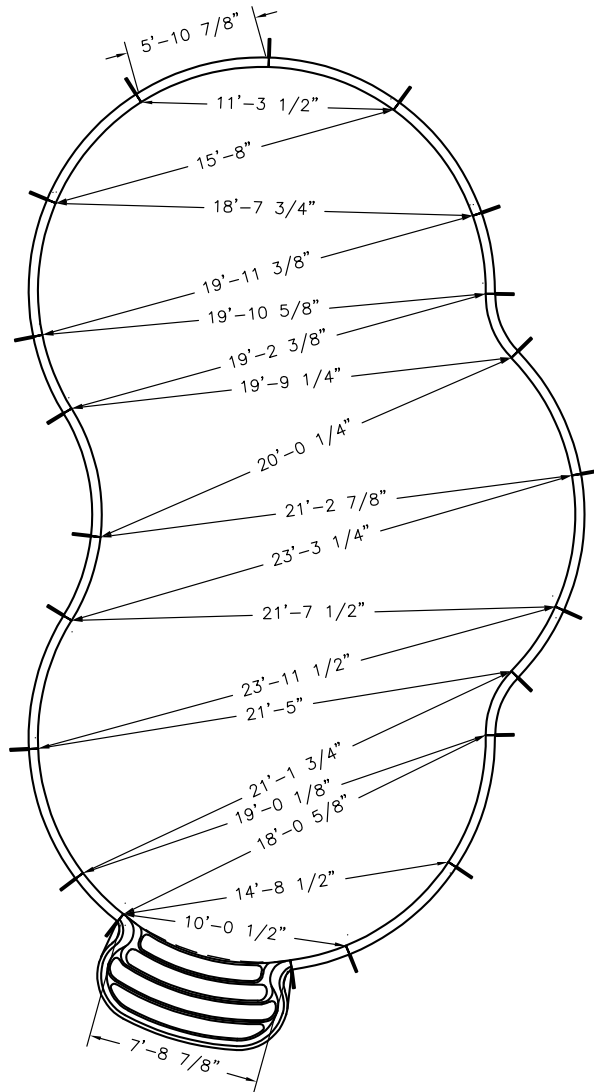
Pool Size: 20' X 40'

Pool Shape: OASIS

Approx Gal: 26,638

Pool Number: 20400OASIS – (PLASTIC)

250 Route 61 South, Schuylkill Haven, PA 17972 • 570-385-4733 • fax: 570-385-1318 • CustomerService@CardinalSystemsinc.com



Date: 5/10/2022

Perimeter: 106'-0 3/4"

Drawn By: JESSE H

Area: 732.3 SQ. FT.

Scale: 1/8" = 1'-0"

Notes: - - - -



cardinalpools.com

This information is the confidential property of Cardinal Systems, Inc. Disclosure or duplication without proper written approval is strictly prohibited. Acceptance and use of this drawing constitutes knowledge and acceptance by the user of the terms and conditions set forth in the notice and warning which accompanied this drawing. It is incorporated herein and made part hereof and is found on Cardinal Systems, Inc's website at www.CardinalSystemsInc.com