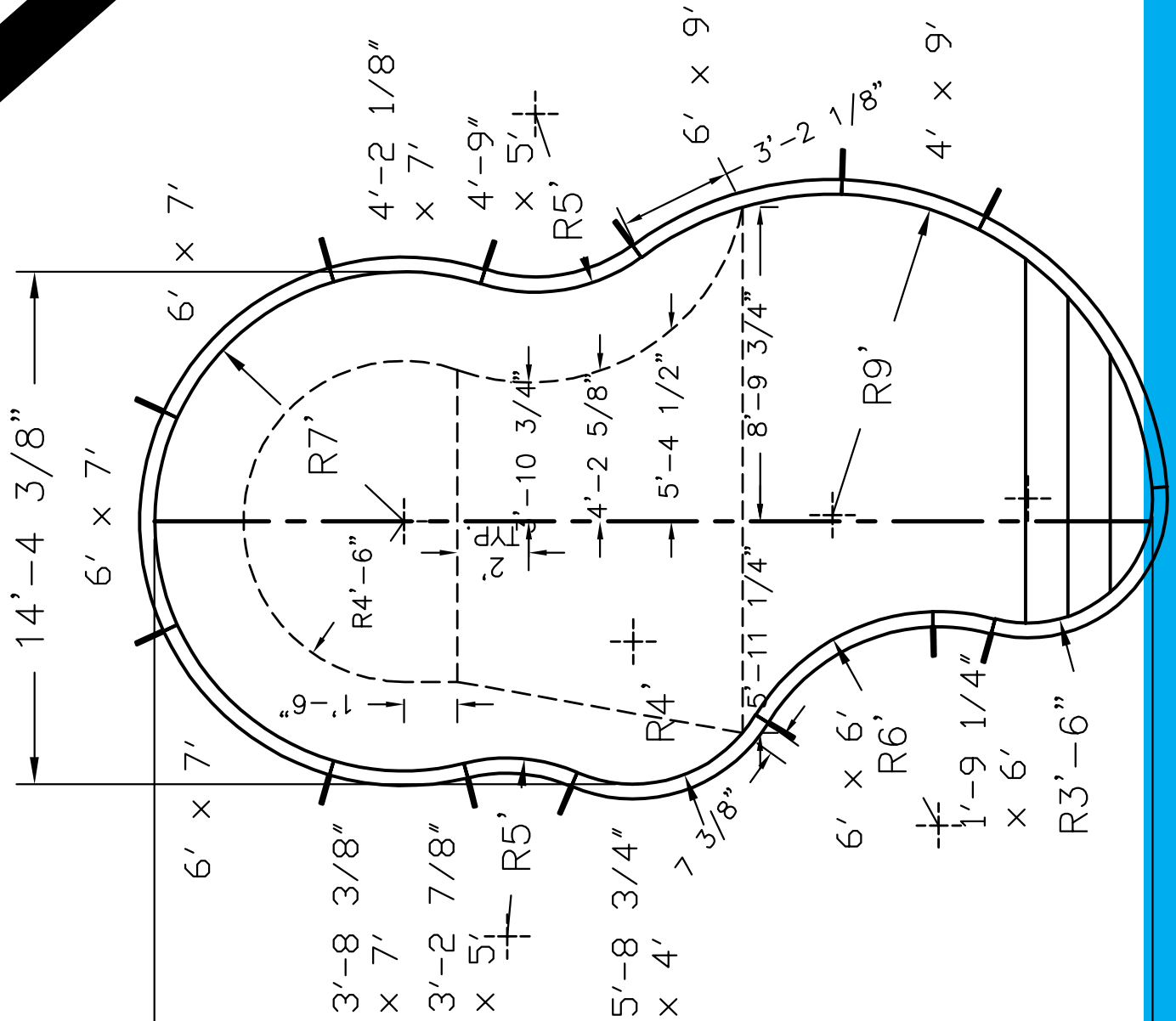


MOUNTAIN POND



9' RADIUS/ 3'-6" RADIUS



SCAN THE QR CODE

for supplemental Mountain Pond drawings

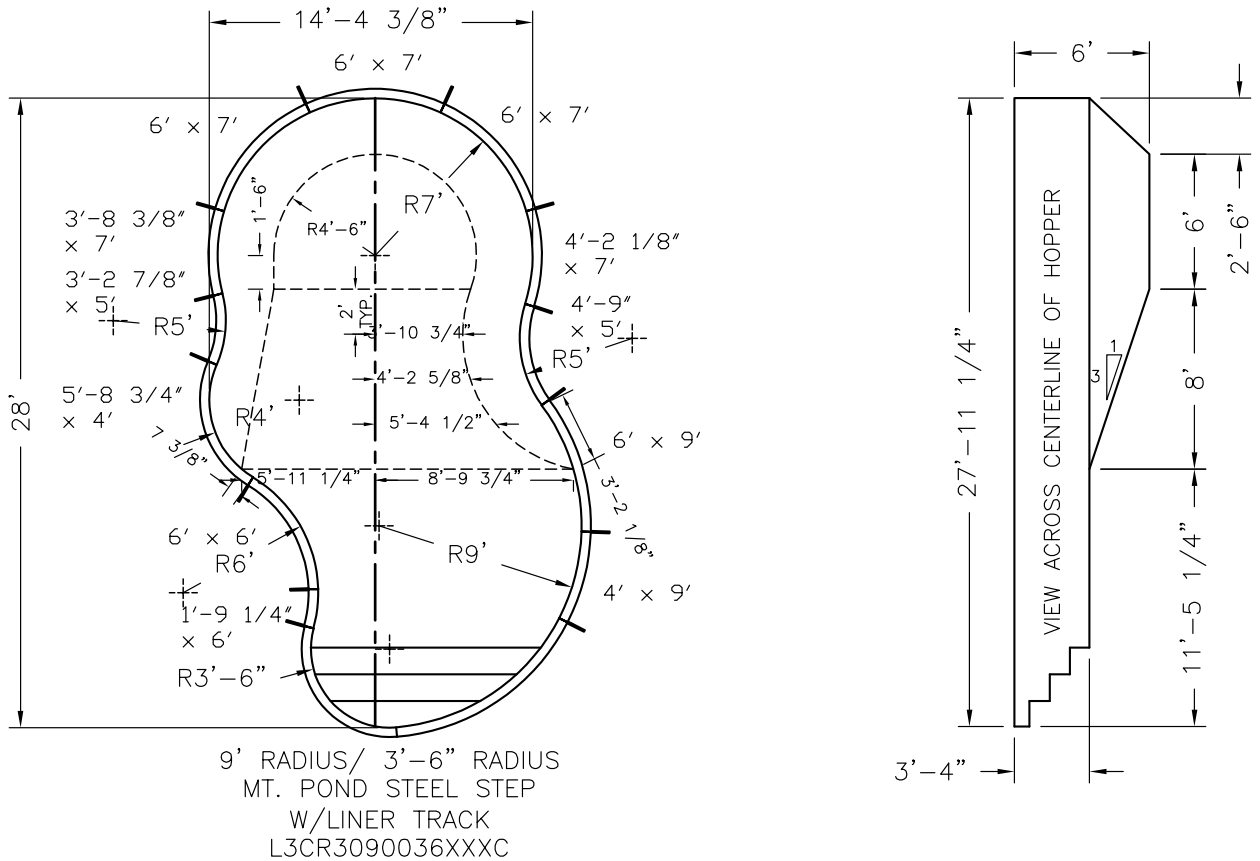


Pool Size: 14' X 28'
Pool Shape: MOUNTAIN POND **Approx Gal:** 10,593
Pool Number: 1428MTPND – (STEEL)

250 Route 61 South, Schuylkill Haven, PA 17972 • 570-385-4733 • fax: 570-385-1318 • CustomerService@CardinalSystemsinc.com

Bill of Materials

PART NO.	QUANTITY	DESCRIPTION
"A" FRAME	13	"A" FRAME ASSEMBLY
L3CR3090036XXXC	1	9' RADIUS/ 3'-6" RADIUS MT. POND STEEL STEP W/LINER TRACK
5C42383XX07000	1	3'-8 3/8" x 7' Radius C PANEL W/0 Z
5C42400XX09000	1	4' x 9' Radius C PANEL W/0 Z
5C42421XX07000	1	4'-2 1/8" x 7' Radius C PANEL W/0 Z
5C42586XX04000	1	5'-8 3/4" x 4' Radius C PANEL W/0 Z
5C42600XX07000	3	6' x 7' Radius C PANEL W/0 Z
5C42600XX09000	1	6' x 9' Radius C PANEL W/0 Z
5R42192XX06000	1	1'-9 1/4" x 6' Radius R PANEL W/0 Z
5R42327XX05000	1	3'-2 7/8" x 5' Radius R PANEL W/0 Z
5R42490XX05000	1	4'-9" x 5' Radius R PANEL W/0 Z
5R42600XX06000	1	6' x 6' Radius R PANEL W/0 Z



NOTE: THIS IS A NON DIVING POOL.

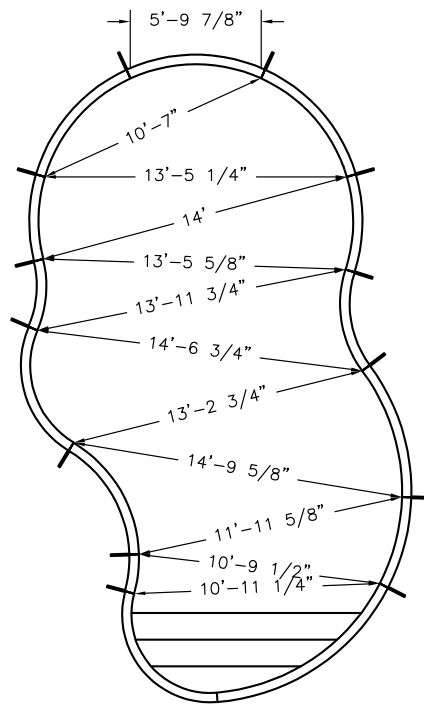
Date: 5/10/2022	Perimeter: 73'-2 1/2"	
Drawn By: JESSE H	Area: 332.3 SQ. FT.	
Scale: 1/8" = 1'-0"	Notes: -----	

This Information Is the confidential property of Cardinal Systems, Inc. Disclosure or duplication without proper written approval is strictly prohibited. Acceptance and use of this drawing constitutes knowledge and acceptance by the user of the terms and conditions set forth in the notice and warning which accompanied this drawing is incorporated herein and made part hereof and is found on Cardinal Systems, Inc's website at www.CardinalSystemsInc.com



Pool Size: 14' X 28'
Pool Shape: MOUNTAIN POND **Approx Gal:** 10,593
Pool Number: 1428MTPND – (STEEL)

250 Route 61 South, Schuylkill Haven, PA 17972 • 570-385-4733 • fax: 570-385-1318 • CustomerService@CardinalSystemsinc.com



Date: 5/10/2022

Perimeter: 73'-2 1/2"

Drawn By: JESSE H

Area: 332.3 SQ. FT.

Scale: 1/8" = 1'-0"

Notes: -----



cardinalpools.com

This information is the confidential property of Cardinal Systems, Inc. Disclosure or duplication without proper written approval is strictly prohibited. Acceptance and use of this drawing constitutes knowledge and acceptance by the user of the terms and conditions set forth in the notice and warning which accompanied this drawing is incorporated herein and made part hereof and is found on Cardinal Systems, Inc.'s website at www.CardinalSystemsInc.com

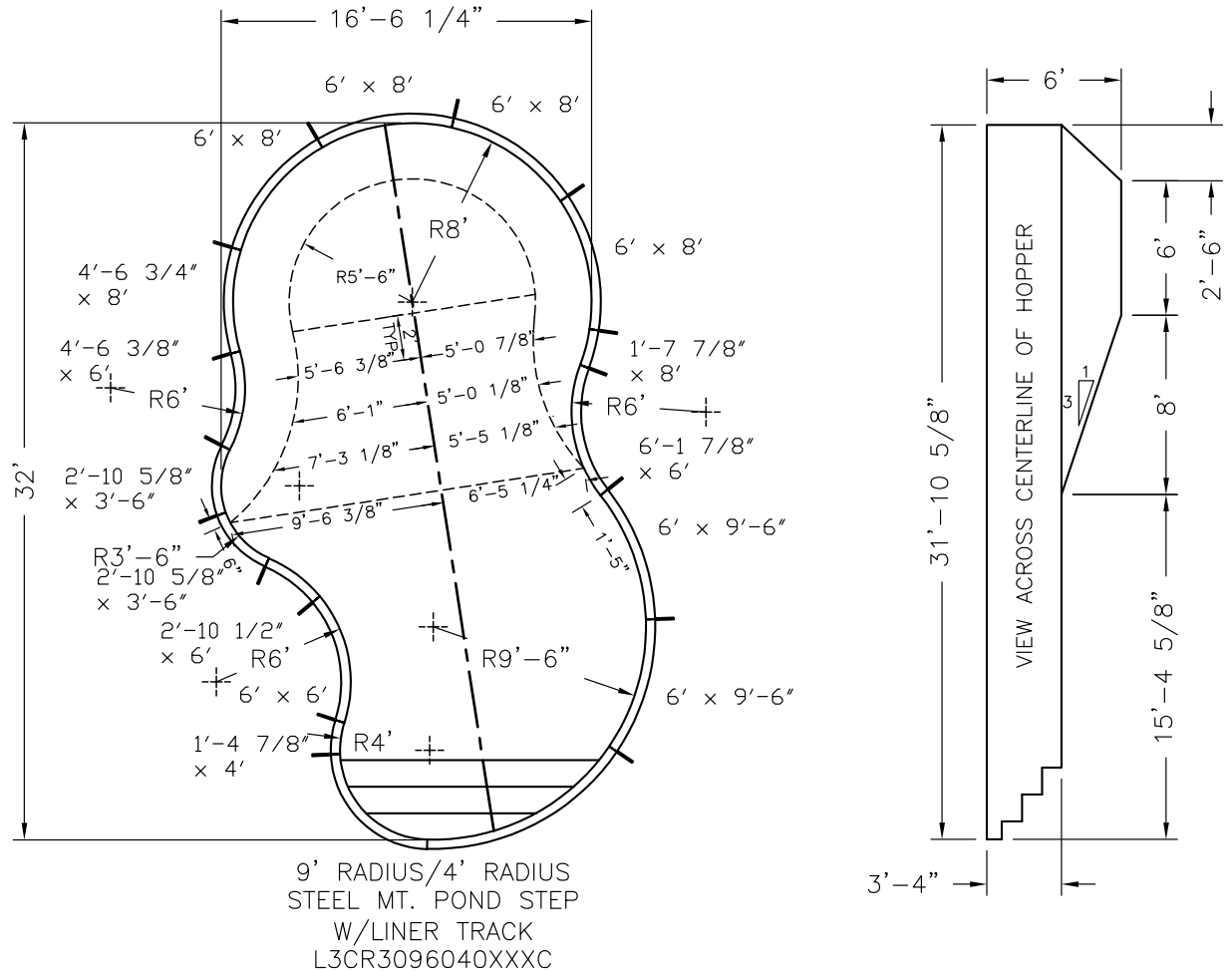


Pool Size: 16' X 32'
Pool Shape: MOUNTAIN POND **Approx Gal:** 13,777
Pool Number: 1632MTPND – (STEEL)

250 Route 61 South, Schuylkill Haven, PA 17972 • 570-385-4733 • fax: 570-385-1318 • CustomerService@CardinalSystemsinc.com

Bill of Materials

PART NO.	QUANTITY	DESCRIPTION
"A" FRAME	16	"A" FRAME ASSEMBLY
L3CR3096040XXXC	1	9' RADIUS/4' RADIUS STEEL MT. POND STEP W/LINER TRACK
5C42147XX04000	1	1'-4 7/8" x 4' Radius C PANEL W/0 Z
5C42177XX08000	1	1'-7 7/8" x 8' Radius C PANEL W/0 Z
5C422T5XX03600	2	2'-10 5/8" x 3'-6" Radius C PANEL W/0 Z
5C42466XX08000	1	4'-6 3/4" x 8' Radius C PANEL W/0 Z
5C42600XX08000	4	6' x 8' Radius C PANEL W/0 Z
5C42600XX09600	2	6' x 9'-6" Radius C PANEL W/0 Z
5R422T4XX06000	1	2'-10 1/2" x 6' Radius R PANEL W/0 Z
5R42463XX06000	1	4'-6 3/8" x 6' Radius R PANEL W/0 Z
5R42600XX06000	1	6' x 6' Radius R PANEL W/0 Z
5R42617XX06000	1	6'-1 7/8" x 6' Radius R PANEL W/0 Z



NOTE: THIS IS A NON DIVING POOL.

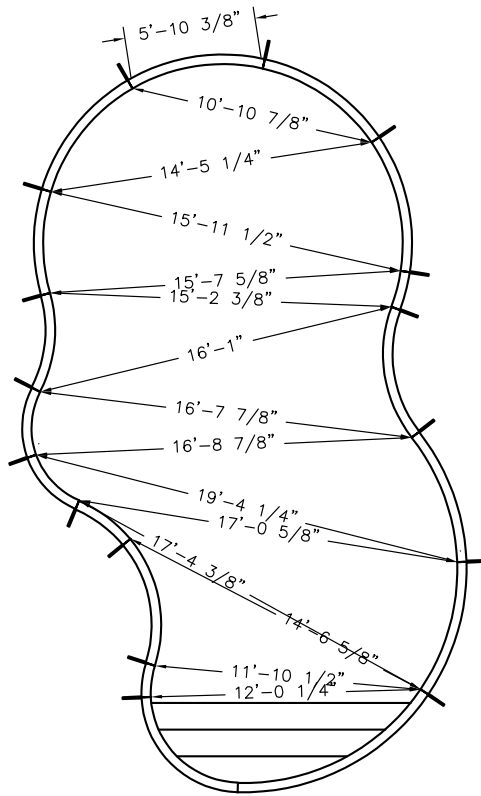
Date: 5/10/2022	Perimeter: 84'-5 7/8"	
Drawn By: JESSE H	Area: 432.2 SQ. FT.	
Scale: 1/8" = 1'-0"	Notes: -----	

This information is the confidential property of Cardinal Systems, Inc. Disclosure or duplication without proper written approval is strictly prohibited. Acceptance and use of this drawing constitutes knowledge and acceptance by the user of the terms and conditions set forth in the notice and warning which accompanied this drawing is incorporated herein and made part hereof and is found on Cardinal Systems, Inc's website at www.CardinalSystemsInc.com



Pool Size: 16' X 32'
Pool Shape: MOUNTAIN POND **Approx Gal:** 13,777
Pool Number: 1632MTPND – (STEEL)

250 Route 61 South, Schuylkill Haven, PA 17972 • 570-385-4733 • fax: 570-385-1318 • CustomerService@CardinalSystemsinc.com



Date: 5/10/2022

Perimeter: 84'-5 7/8"

Drawn By: JESSE H

Area: 432.2 SQ. FT.

Scale: 1/8" = 1'-0"

Notes: -----



cardinalpools.com

This information is the confidential property of Cardinal Systems, Inc. Disclosure or duplication without proper written approval is strictly prohibited. Acceptance and use of this drawing constitutes knowledge and acceptance by the user of the terms and conditions set forth in the notice and warning which accompanied this drawing is incorporated herein and made part hereof and is found on Cardinal Systems, Inc's website at www.CardinalSystemsInc.com

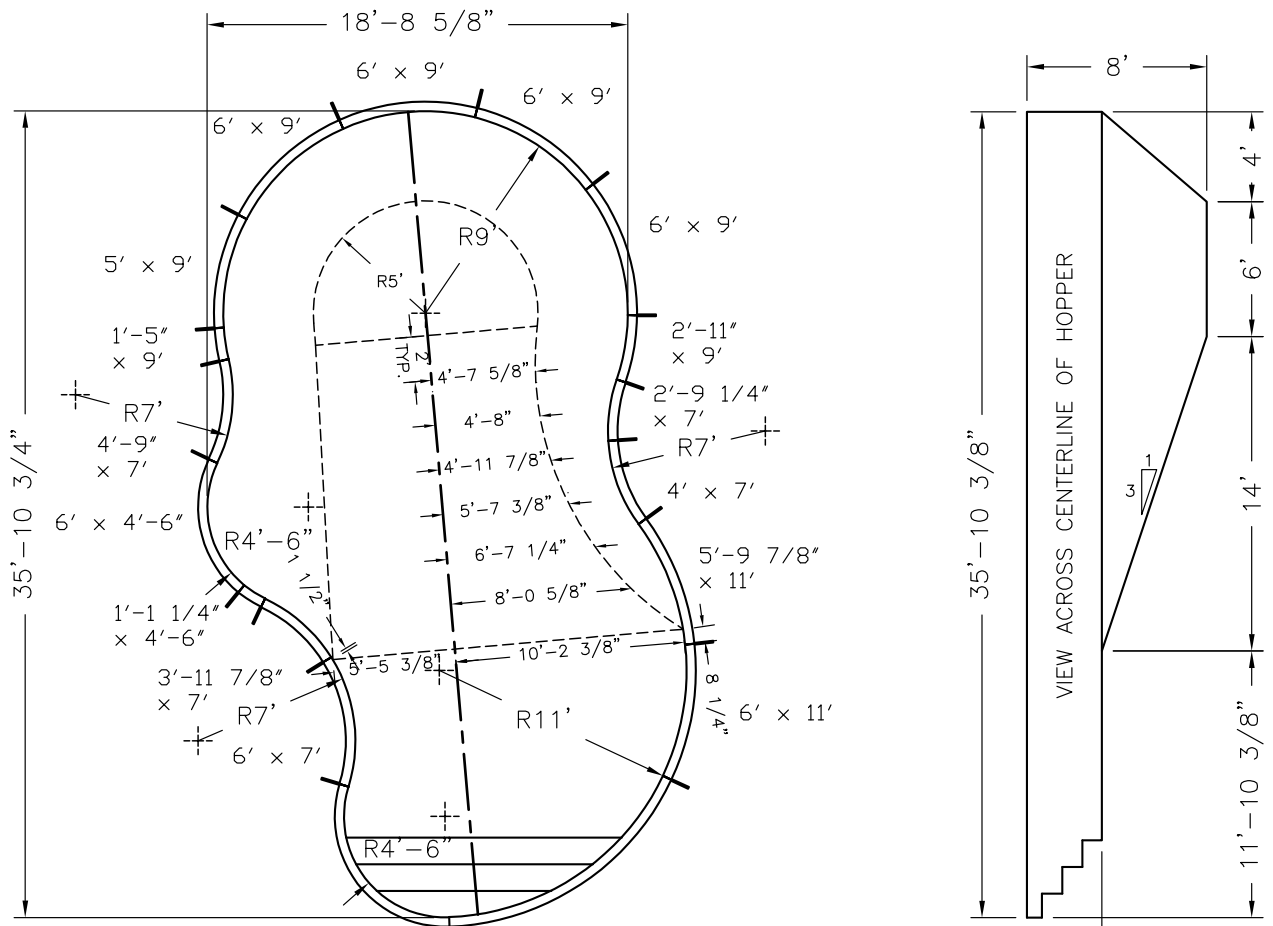


Pool Size: 18' X 36'
Pool Shape: MOUNTAIN POND **Approx Gal:** 19,821
Pool Number: 1836MTPND – (STEEL)


250 Route 61 South, Schuylkill Haven, PA 17972 • 570-385-4733 • fax: 570-385-1318 • CustomerService@CardinalSystemsinc.com

Bill of Materials

PART NO.	QUANTITY	DESCRIPTION
"A" FRAME	17	"A" FRAME ASSEMBLY
L3CR3110046XXX1	1	11' RADIUS/4'-6" RADIUS MT. POND STEEL STEP W/LINER TRACK
5C42112XX04600	1	1'-1 1/4" x 4'-6" Radius C PANEL W/O Z
5C42150XX09000	1	1'-5" x 9' Radius C PANEL W/O Z
5C422E0XX09000	1	2'-11" x 9' Radius C PANEL W/O Z
5C42500XX09000	1	5' x 9' Radius C PANEL W/O Z
5C42597XX11000	1	5'-9 7/8" x 11' Radius C PANEL W/O Z
5C42600XX04600	1	6' x 4'-6" Radius C PANEL W/O Z
5C42600XX09000	4	6' x 9' Radius C PANEL W/O Z
5C42600XX11000	1	6' x 11' Radius C PANEL W/O Z
5R42292XX07000	1	2'-9 1/4" x 7' Radius R PANEL W/O Z
5R423E7XX07000	1	3'-11 7/8" x 7' Radius R PANEL W/O Z
5R42400XX07000	1	4' x 7' Radius R PANEL W/O Z
5R42490XX07000	1	4'-9" x 7' Radius R PANEL W/O Z
5R42600XX07000	1	6' x 7' Radius R PANEL W/O Z



11' RADIUS/4'-6" RADIUS
 MT. POND STEEL STEP
 W/LINER TRACK
 L3CR3110046XXX1

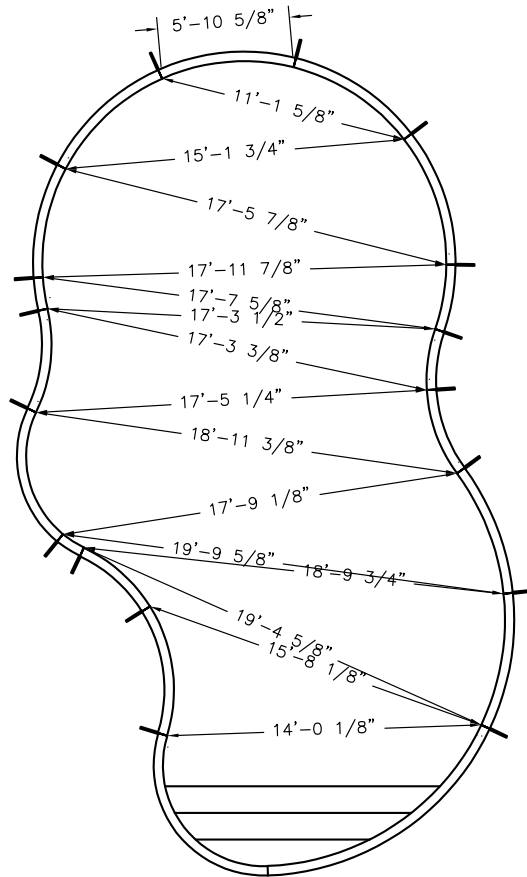
Date: 5/10/2022	Perimeter: 94'-4 1/4"	 cardinalpools.com
Drawn By: JESSE H	Area: 544.9 SQ. FT.	
Scale: 1/8" = 1'-0"	Notes: -----	

This information is the confidential property of Cardinal Systems, Inc. Disclosure or duplication without proper written approval is strictly prohibited. Acceptance and use of this drawing constitutes knowledge and acceptance by the user of the terms and conditions set forth in the notice and warning which accompanied this drawing is incorporated herein and made part hereof and is found on Cardinal Systems, Inc's website at www.CardinalSystemsInc.com



Pool Size: 18' X 36'
Pool Shape: MOUNTAIN POND **Approx Gal:** 19,821
Pool Number: 1836MTPND – (STEEL)

250 Route 61 South, Schuylkill Haven, PA 17972 • 570-385-4733 • fax: 570-385-1318 • CustomerService@CardinalSystemsinc.com



Date: 5/10/2022

Perimeter: 94'-4 1/4"

Drawn By: JESSE H

Area: 544.9 SQ. FT.

Scale: 1/8" = 1'-0"

Notes: - - - -



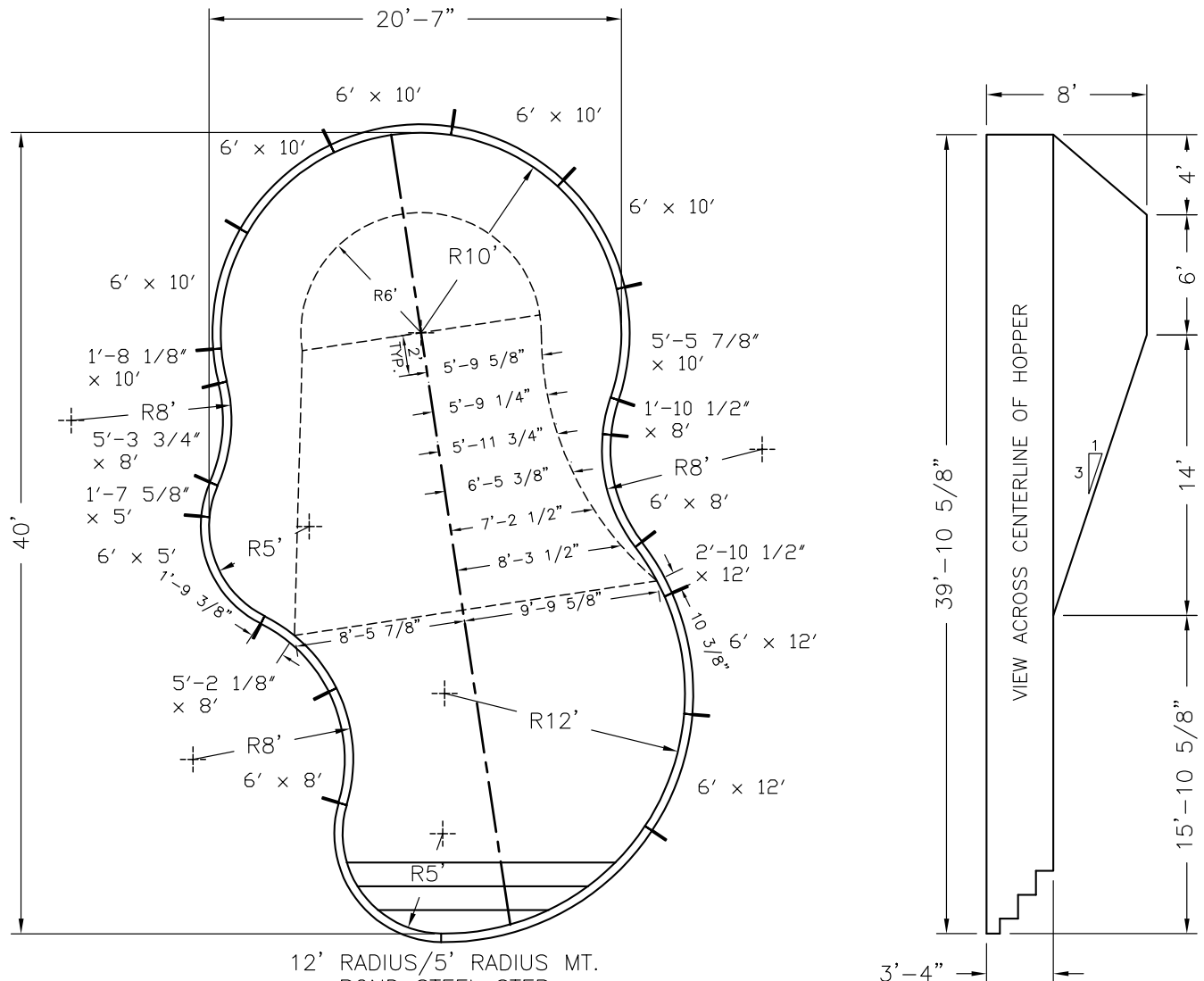
cardinalpools.com

This information is the confidential property of Cardinal Systems, Inc. Disclosure or duplication without proper written approval is strictly prohibited. Acceptance and use of this drawing constitutes knowledge and acceptance by the user of the terms and conditions set forth in the notice and warning which accompanied this drawing is incorporated herein and made part hereof and is found on Cardinal Systems, Inc.'s website at www.CardinalSystemsInc.com



Pool Size: 20' X 40'
Pool Shape: MOUNTAIN POND **Approx Gal:** 24,626
Pool Number: 2040MTPND - (STEEL)

250 Route 61 South, Schuylkill Haven, PA 17972 • 570-385-4733 • fax: 570-385-1318 • CustomerService@CardinalSystemsinc.com



12' RADIUS/5' RADIUS MT.
 POND STEEL STEP
 W/LINER TRACK
 L3CR3120050XXXX

Date: 5/10/2022

Perimeter: 105'-3 1/4"

Drawn By: JESSE H

Area: 677.0 SQ. FT.

Scale: 1/8" = 1'-0"

Notes: -----



cardinalpools.com

This information is the confidential property of Cardinal Systems, Inc. Disclosure or duplication without proper written approval is strictly prohibited. Acceptance and use of this drawing constitutes knowledge and acceptance by the user of the terms and conditions set forth in the notice and warning which accompanied this drawing is incorporated herein and made part hereof and is found on Cardinal Systems, Inc's website at www.CardinalSystemsInc.com



Pool Size: 20' X 40'
Pool Shape: MOUNTAIN POND **Approx Gal:** 24,626
Pool Number: 2040MTPND – (STEEL)

250 Route 61 South, Schuylkill Haven, PA 17972 • 570-385-4733 • fax: 570-385-1318 • CustomerService@CardinalSystemsinc.com

Bill of Materials

PART NO.	QUANTITY	DESCRIPTION
"A" FRAME	18	"A" FRAME ASSEMBLY
L3CR3120050XXXC	1	12' RADIUS/5' RADIUS MT. POND STEEL STEP W/LINER TRACK
5C42175XX05000	1	1'-7 5/8" x 5' Radius C PANEL W/0 Z
5C42181XX10000	1	1'-8 1/8" x 10' Radius C PANEL W/0 Z
5C422T4XX12000	1	2'-10 1/2" x 12' Radius C PANEL W/0 Z
5C42557XX10000	1	5'-5 7/8" x 10' Radius C PANEL W/0 Z
5C42600XX05000	1	6' x 5' Radius C PANEL W/0 Z
5C42600XX10000	5	6' x 10' Radius C PANEL W/0 Z
5C42600XX12000	2	6' x 12' Radius C PANEL W/0 Z
5R421T4XX08000	1	1'-10 1/2" x 8' Radius R PANEL W/0 Z
5R42521XX08000	1	5'-2 1/8" x 8' Radius R PANEL W/0 Z
5R42536XX08000	1	5'-3 3/4" x 8' Radius R PANEL W/0 Z
5R42600XX08000	2	6' x 8' Radius R PANEL W/0 Z

Date: 5/10/2022	Perimeter: 105'-3 1/4"
Drawn By: JESSE H	Area: 677.0 SQ. FT.
Scale: 1/8" = 1'-0"	Notes: -----



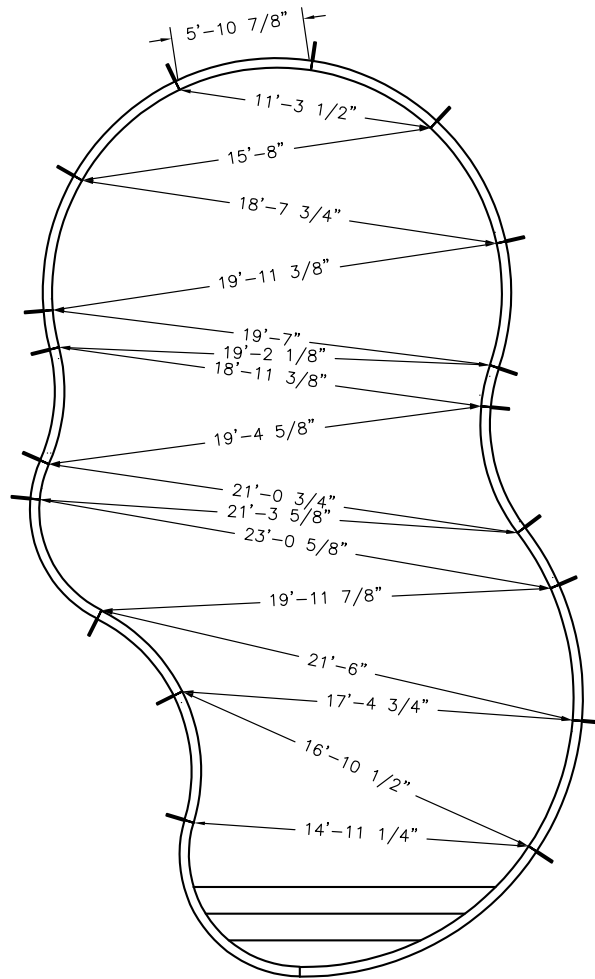
cardinalpools.com


This information is the confidential property of Cardinal Systems, Inc. Disclosure or duplication without proper written approval is strictly prohibited. Acceptance and use of this drawing constitutes knowledge and acceptance by the user of the terms and conditions set forth in the notice and warning which accompanied this drawing is incorporated herein and made part hereof and is found on Cardinal Systems, Inc's website at www.CardinalSystemsInc.com



Pool Size: 20' X 40'
Pool Shape: MOUNTAIN POND **Approx Gal:** 24,626
Pool Number: 2040MTPND – (STEEL)

250 Route 61 South, Schuylkill Haven, PA 17972 • 570-385-4733 • fax: 570-385-1318 • CustomerService@CardinalSystemsinc.com



Date: 5/10/2022	Perimeter: 105'-3 1/4"	 cardinalpools.com
Drawn By: JESSE H	Area: 677.0 SQ. FT.	
Scale: 1/8" = 1'-0"	Notes: -----	

This Information Is the confidential property of Cardinal Systems, Inc. Disclosure or duplication without proper written approval is strictly prohibited. Acceptance and use of this drawing constitutes knowledge and acceptance by the user of the terms and conditions set forth in the notice and warning which accompanied this drawing is incorporated herein and made part hereof and is found on Cardinal Systems, Inc's website at www.CardinalSystemsInc.com

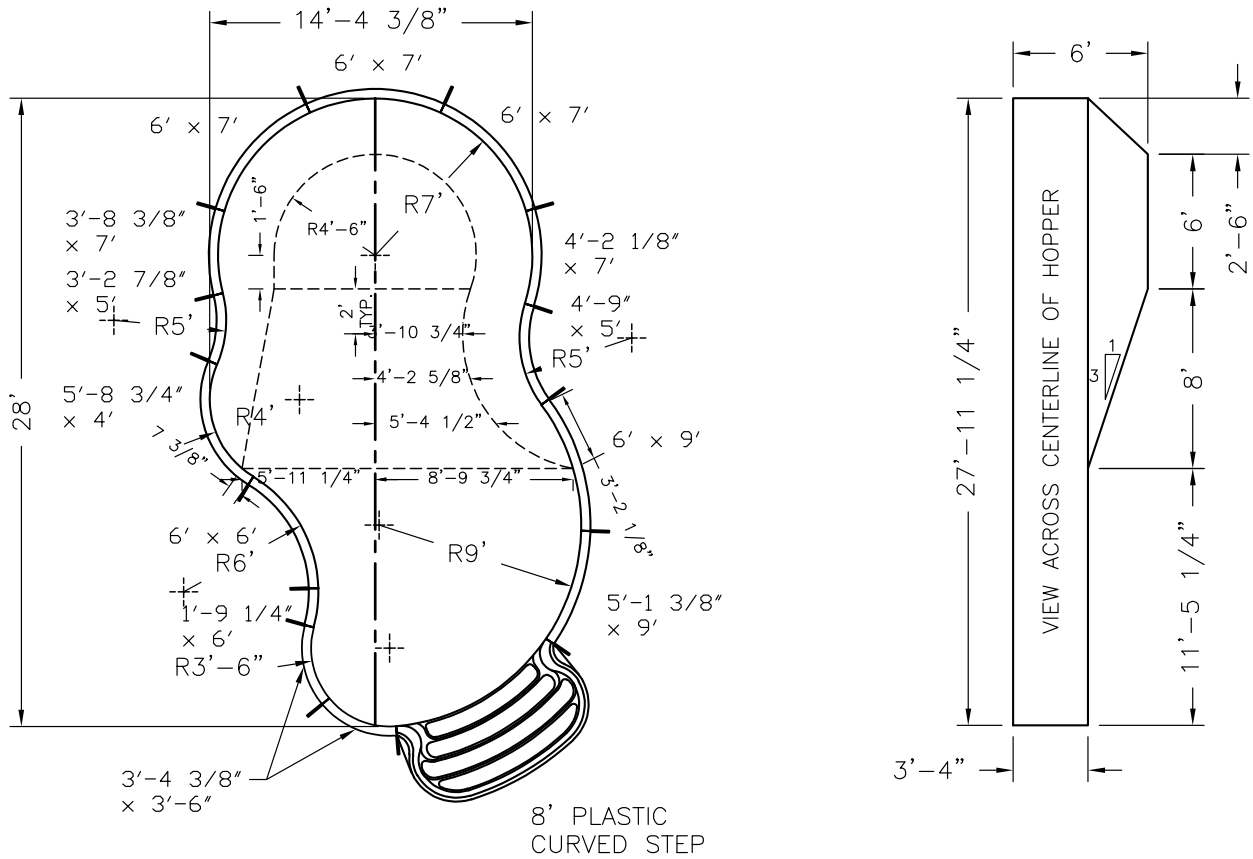


Pool Size: 14' X 28'
Pool Shape: MOUNTAIN POND **Approx Gal:** 10,593
Pool Number: 1428MTPND – (PLASTIC)

250 Route 61 South, Schuylkill Haven, PA 17972 • 570-385-4733 • fax: 570-385-1318 • CustomerService@CardinalSystemsinc.com

Bill of Materials

PART NO.	QUANTITY	DESCRIPTION
"A" FRAME	15	"A" FRAME ASSEMBLY
5C42343XX03600	2	3'-4 3/8" x 3'-6" Radius C PANEL W/O Z
5C42383XX07000	1	3'-8 3/8" x 7' Radius C PANEL W/O Z
5C42421XX07000	1	4'-2 1/8" x 7' Radius C PANEL W/O Z
5C42513XX09000	1	5'-1 3/8" x 9' Radius C PANEL W/O Z
5C42586XX04000	1	5'-8 3/4" x 4' Radius C PANEL W/O Z
5C42600XX07000	3	6' x 7' Radius C PANEL W/O Z
5C42600XX09000	1	6' x 9' Radius C PANEL W/O Z
5R42192XX06000	1	1'-9 1/4" x 6' Radius R PANEL W/O Z
5R42327XX05000	1	3'-2 7/8" x 5' Radius R PANEL W/O Z
5R42490XX05000	1	4'-9" x 5' Radius R PANEL W/O Z
5R42600XX06000	1	6' x 6' Radius R PANEL W/O Z



NOTE: THIS IS A NON DIVING POOL.

Date: 5/10/2022

Perimeter: 73'-2 1/2"

Drawn By: JESSE H

Area: 332.3 SQ. FT.

Scale: 1/8" = 1'-0"

Notes: -----



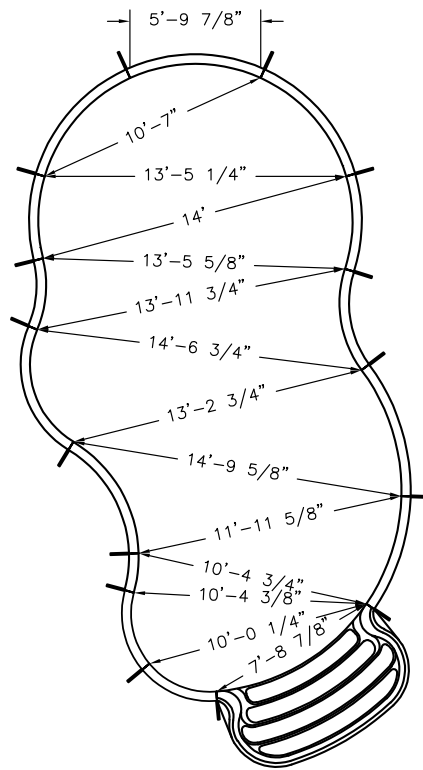
cardinalpools.com

This information is the confidential property of Cardinal Systems, Inc. Disclosure or duplication without proper written approval is strictly prohibited. Acceptance and use of this drawing constitutes knowledge and acceptance by the user of the terms and conditions set forth in the notice and warning which accompanied this drawing is incorporated herein and made part hereof and is found on Cardinal Systems, Inc.'s website at www.CardinalSystemsInc.com



Pool Size: 14' X 28'
Pool Shape: MOUNTAIN POND **Approx Gal:** 10,593
Pool Number: 1428MTPND – (PLASTIC)

250 Route 61 South, Schuylkill Haven, PA 17972 • 570-385-4733 • fax: 570-385-1318 • CustomerService@CardinalSystemsinc.com



Date: 5/10/2022

Perimeter: 73'-2 1/2"

Drawn By: JESSE H

Area: 332.3 SQ. FT.

Scale: 1/8" = 1'-0"

Notes: - - - -



This information is the confidential property of Cardinal Systems, Inc. Disclosure or duplication without proper written approval is strictly prohibited. Acceptance and use of this drawing constitutes knowledge and acceptance by the user of the terms and conditions set forth in the notice and warning which accompanied this drawing is incorporated herein and made part hereof and is found on Cardinal Systems, Inc's website at www.CardinalSystemsInc.com

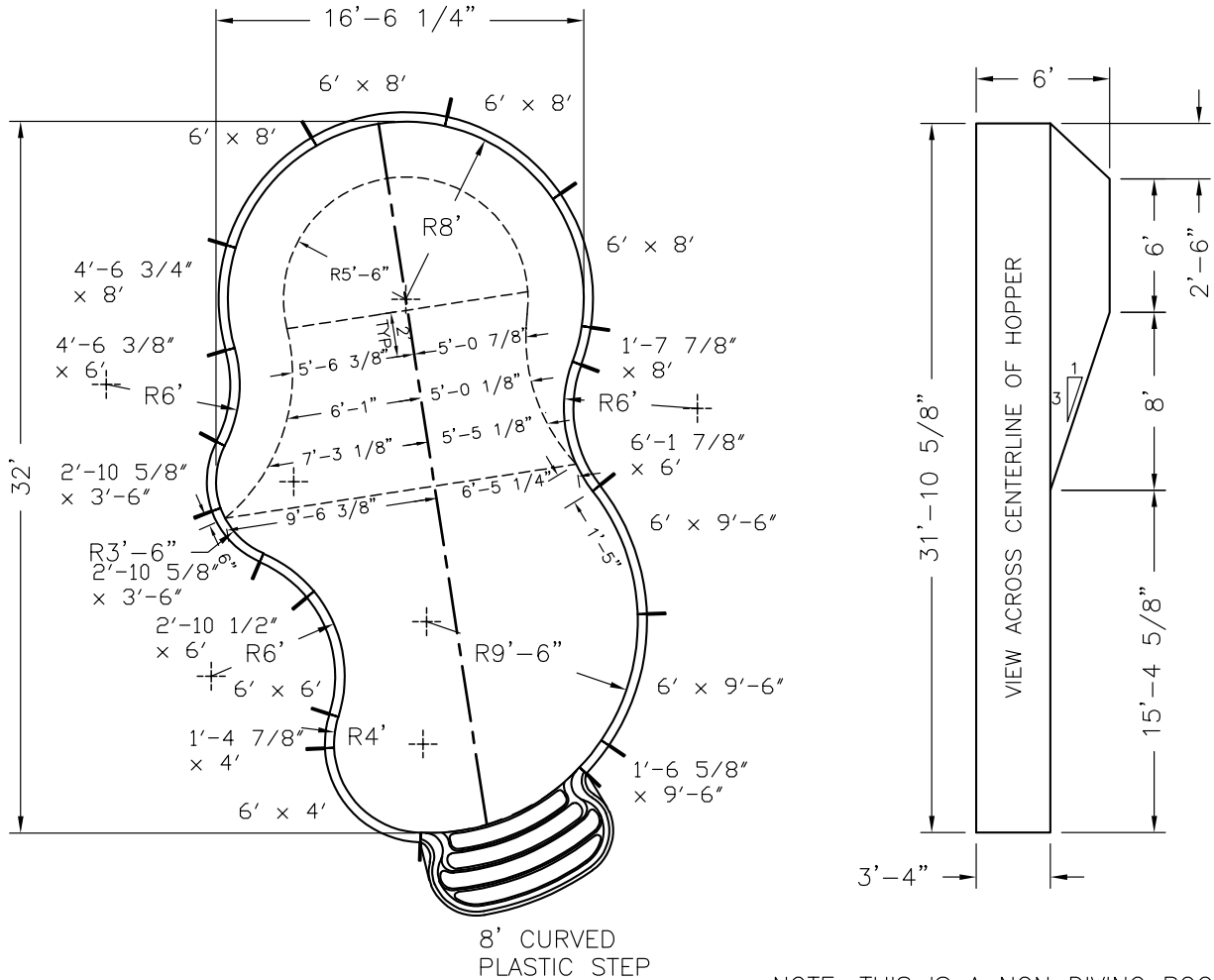


Pool Size: 16' X 32'
Pool Shape: MOUNTAIN POND **Approx Gal:** 13,786
Pool Number: 1632MTPND – (PLASTIC)

250 Route 61 South, Schuylkill Haven, PA 17972 • 570-385-4733 • fax: 570-385-1318 • CustomerService@CardinalSystemsinc.com

Bill of Materials

PART NO.	QUANTITY	DESCRIPTION
"A" FRAME	18	"A" FRAME ASSEMBLY
5C42147XX04000	1	1'-4 7/8" x 4' Radius C PANEL W/0 Z
5C42165XX09600	1	1'-6 5/8" x 9'-6" Radius C PANEL W/0 Z
5C42177XX08000	1	1'-7 7/8" x 8' Radius C PANEL W/0 Z
5C422T5XX03600	2	2'-10 5/8" x 3'-6" Radius C PANEL W/0 Z
5C42466XX08000	1	4'-6 3/4" x 8' Radius C PANEL W/0 Z
5C42600XX04000	1	6' x 4' Radius C PANEL W/0 Z
5C42600XX08000	4	6' x 8' Radius C PANEL W/0 Z
5C42600XX09600	2	6' x 9'-6" Radius C PANEL W/0 Z
5R422T4XX06000	1	2'-10 1/2" x 6' Radius R PANEL W/0 Z
5R42463XX06000	1	4'-6 3/8" x 6' Radius R PANEL W/0 Z
5R42600XX06000	1	6' x 6' Radius R PANEL W/0 Z
5R42617XX06000	1	6'-1 7/8" x 6' Radius R PANEL W/0 Z



NOTE: THIS IS A NON DIVING POOL.

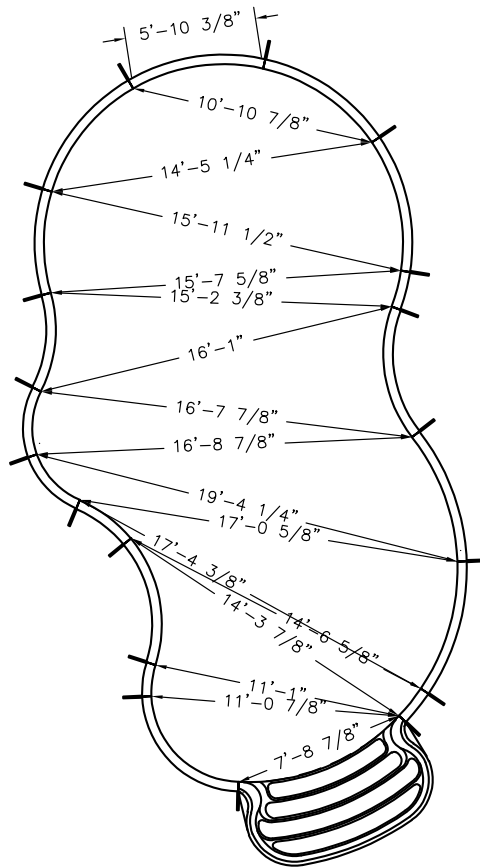
Date: 5/10/2022	Perimeter: 84'-6 1/4"	
Drawn By: JESSE H	Area: 432.5 SQ. FT.	
Scale: 1/8" = 1'-0"	Notes: - - - -	


This information is the confidential property of Cardinal Systems, Inc. Disclosure or duplication without proper written approval is strictly prohibited. Acceptance and use of this drawing constitutes knowledge and acceptance by the user of the terms and conditions set forth in the notice and warning which accompanied this drawing is incorporated herein and made part hereof and is found on Cardinal Systems, Inc's website at www.CardinalSystemsInc.com



Pool Size: 16' X 32'
Pool Shape: MOUNTAIN POND **Approx Gal:** 13,786
Pool Number: 1632MTPND – (PLASTIC)

250 Route 61 South, Schuylkill Haven, PA 17972 • 570-385-4733 • fax: 570-385-1318 • CustomerService@CardinalSystemsinc.com



Date: 5/10/2022	Perimeter: 84'-6 1/4"	 cardinalpools.com
Drawn By: JESSE H	Area: 432.5 SQ. FT.	
Scale: 1/8" = 1'-0"	Notes: -----	

This information is the confidential property of Cardinal Systems, Inc. Disclosure or duplication without proper written approval is strictly prohibited. Acceptance and use of this drawing constitutes knowledge and acceptance by the user of the terms and conditions set forth in the notice and warning which accompanied this drawing is incorporated herein and made part hereof and is found on Cardinal Systems, Inc's website at www.CardinalSystemsInc.com

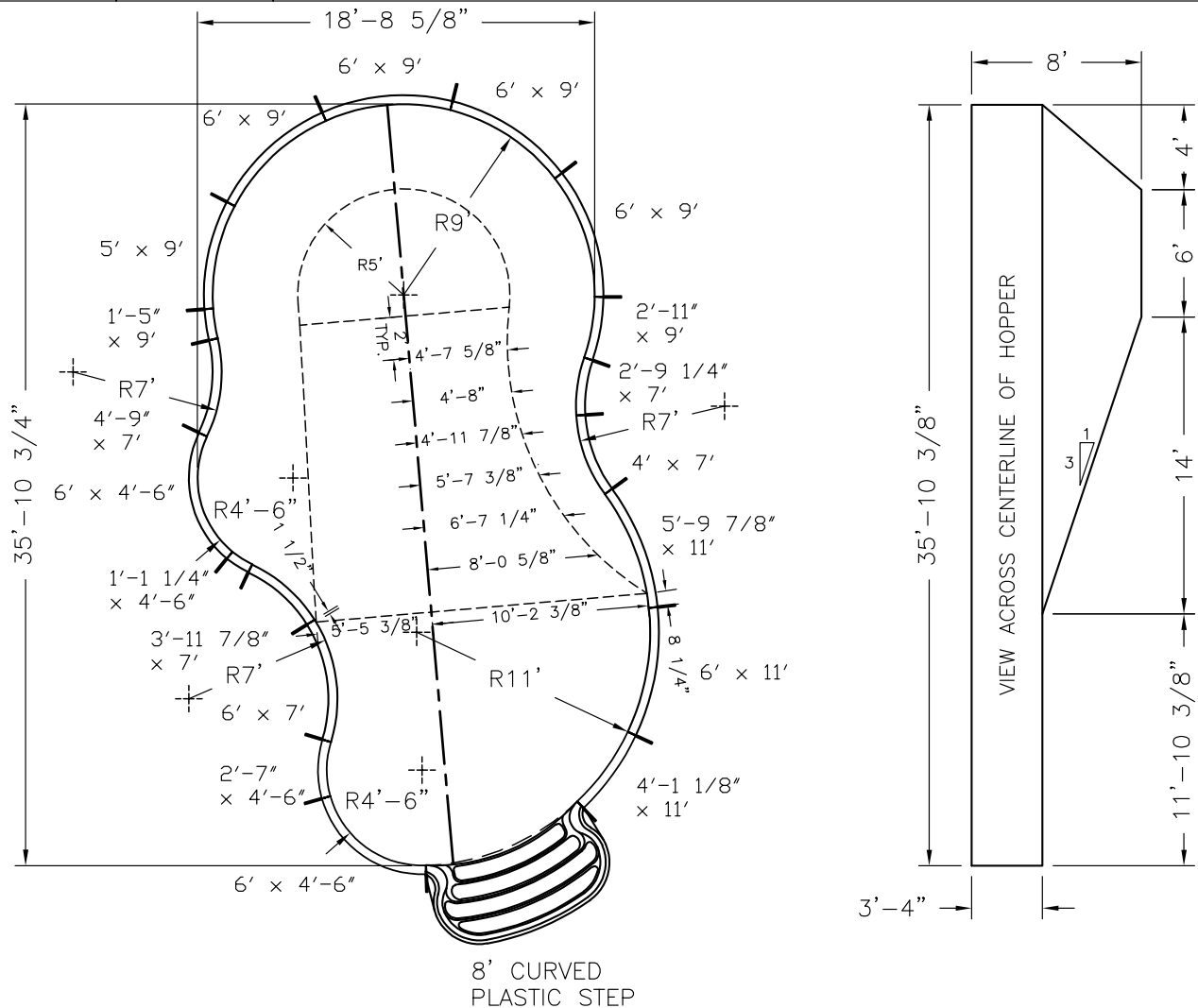



Pool Size: 18' X 36'
Pool Shape: MOUNTAIN POND **Approx Gal:** 19,854
Pool Number: 1836MTPND – (PLASTIC)

250 Route 61 South, Schuylkill Haven, PA 17972 • 570-385-4733 • fax: 570-385-1318 • CustomerService@CardinalSystemsinc.com

Bill of Materials

PART NO.	QUANTITY	DESCRIPTION
"A" FRAME	20	"A" FRAME ASSEMBLY
5C42112XX04600	1	1'-1 1/4" x 4'-6" Radius C PANEL W/O Z
5C42150XX09000	1	1'-5" x 9' Radius C PANEL W/O Z
5C42270XX04600	1	2'-7" x 4'-6" Radius C PANEL W/O Z
5C422E0XX09000	1	2'-11" x 9' Radius C PANEL W/O Z
5C42411XX11000	1	4'-1 1/8" x 11' Radius C PANEL W/O Z
5C42500XX09000	1	5' x 9' Radius C PANEL W/O Z
5C42597XX11000	1	5'-9 7/8" x 11' Radius C PANEL W/O Z
5C42600XX04600	2	6' x 4'-6" Radius C PANEL W/O Z
5C42600XX09000	4	6' x 9' Radius C PANEL W/O Z
5C42600XX11000	1	6' x 11' Radius C PANEL W/O Z
5R42292XX07000	1	2'-9 1/4" x 7' Radius R PANEL W/O Z
5R423E7XX07000	1	3'-11 7/8" x 7' Radius R PANEL W/O Z
5R42400XX07000	1	4' x 7' Radius R PANEL W/O Z
5R42490XX07000	1	4'-9" x 7' Radius R PANEL W/O Z
5R42600XX07000	1	6' x 7' Radius R PANEL W/O Z

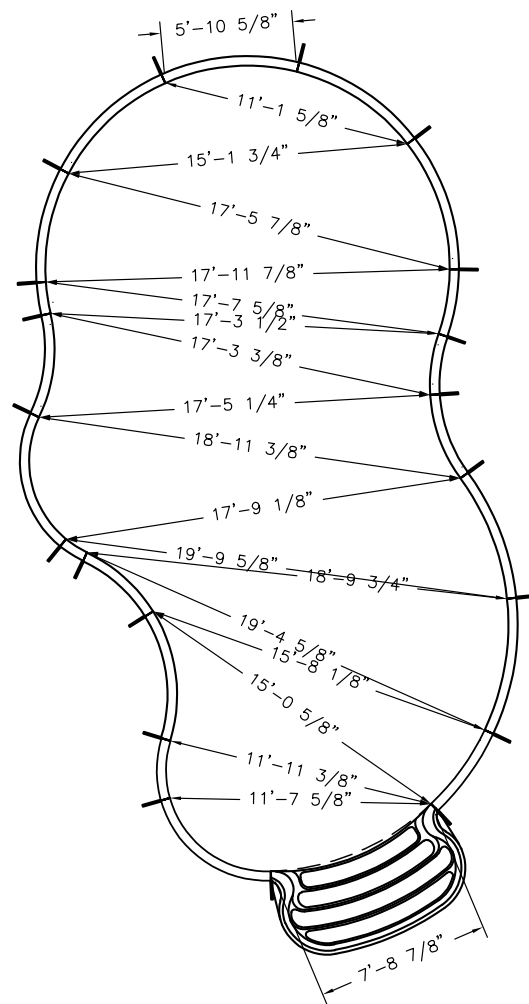


Date: 5/10/2022	Perimeter: 94'-5 3/8"	 <small>cardinalpools.com</small>
Drawn By: JESSE H	Area: 545.8 SQ. FT.	
Scale: 1/8" = 1'-0"	Notes: -----	



Pool Size: 18' X 36'
Pool Shape: MOUNTAIN POND **Approx Gal:** 19,854
Pool Number: 1836MTPND – (PLASTIC)

250 Route 61 South, Schuylkill Haven, PA 17972 • 570-385-4733 • fax: 570-385-1318 • CustomerService@CardinalSystemsinc.com



Date: 5/10/2022

Perimeter: 94'-5 3/8"

Drawn By: JESSE H

Area: 545.8 SQ. FT.

Scale: 1/8" = 1'-0"

Notes: -----



cardinalpools.com

This Information Is the confidential property of Cardinal Systems, Inc. Disclosure or duplication without proper written approval Is strictly prohibited. Acceptance and use of this drawing constitutes knowledge and acceptance by the user of the terms and conditions set forth in the notice and warning which accompanied this drawing is incorporated herein and made part hereof and Is found on Cardinal Systems, Inc's website at www.CardinalSystemsInc.com




Pool Size: 20' X 40'
Pool Shape: MOUNTAIN POND **Approx Gal:** 24,703
Pool Number: 2040MTPND – (PLASTIC)

250 Route 61 South, Schuylkill Haven, PA 17972 • 570-385-4733 • fax: 570-385-1318 • CustomerService@CardinalSystemsInc.com

Bill of Materials

PART NO.	QUANTITY	DESCRIPTION
"A" FRAME	23	"A" FRAME ASSEMBLY
5C42123XX12000	1	1'-2 3/8" x 12' Radius C PANEL W/O Z
5C42175XX05000	1	1'-7 5/8" x 5' Radius C PANEL W/O Z
5C42181XX10000	1	1'-8 1/8" x 10' Radius C PANEL W/O Z
5C422T4XX12000	1	2'-10 1/2" x 12' Radius C PANEL W/O Z
5C42326XX05000	1	3'-2 3/4" x 5' Radius C PANEL W/O Z
5C42557XX10000	1	5'-5 7/8" x 10' Radius C PANEL W/O Z
5C42600XX05000	2	6' x 5' Radius C PANEL W/O Z
5C42600XX10000	5	6' x 10' Radius C PANEL W/O Z
5C42600XX12000	2	6' x 12' Radius C PANEL W/O Z
5R421T4XX08000	1	1'-10 1/2" x 8' Radius R PANEL W/O Z
5R42521XX08000	1	5'-2 1/8" x 8' Radius R PANEL W/O Z
5R42536XX08000	1	5'-3 3/4" x 8' Radius R PANEL W/O Z
5R42600XX08000	2	6' x 8' Radius R PANEL W/O Z
5S42160XXX0	2	1'-6" Straight PANEL W/O Z

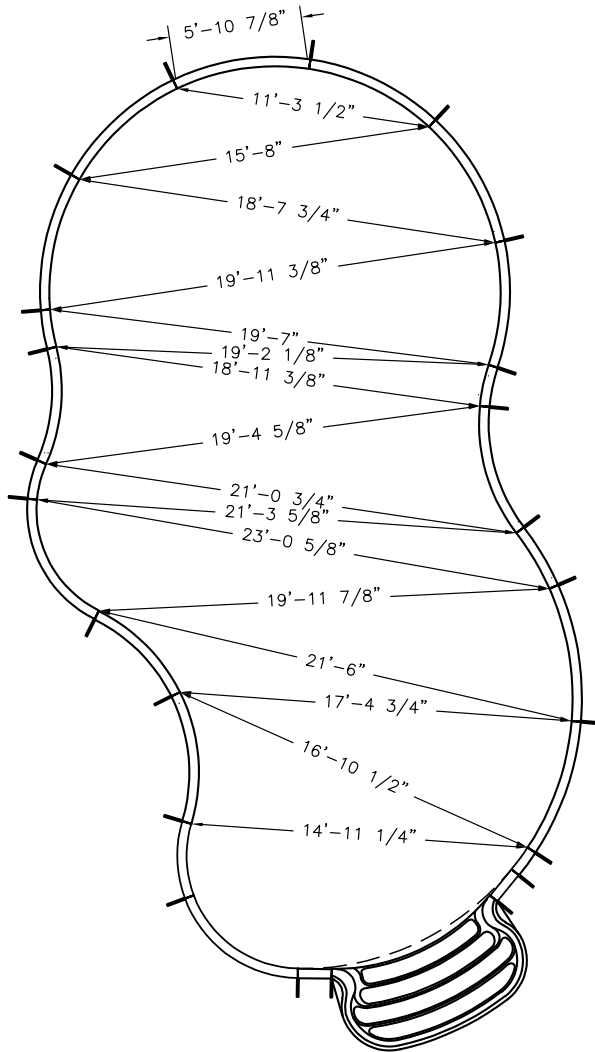
Date: 5/10/2022	Perimeter: 105'-5 5/8"	 <small>cardinalpools.com</small>
Drawn By: JESSE H	Area: 679.1 SQ. FT.	
Scale: 1/8" = 1'-0"	Notes: - - - -	

This information is the confidential property of Cardinal Systems, Inc. Disclosure or duplication without proper written approval is strictly prohibited. Acceptance and use of this drawing constitutes knowledge and acceptance by the user of the terms and conditions set forth in the notice and warning which accompanied this drawing is incorporated herein and made part hereof and is found on Cardinal Systems, Inc's website at www.CardinalSystemsInc.com



Pool Size: 20' X 40'
Pool Shape: MOUNTAIN POND **Approx Gal:** 24,703
Pool Number: 2040MTPND – (PLASTIC)

250 Route 61 South, Schuylkill Haven, PA 17972 • 570-385-4733 • fax: 570-385-1318 • CustomerService@CardinalSystemsinc.com



Date: 5/10/2022

Perimeter: 105'-5 5/8"

Drawn By: JESSE H

Area: 679.1 SQ. FT.

Scale: 1/8" = 1'-0"

Notes: -----



cardinalpools.com

This information is the confidential property of Cardinal Systems, Inc. Disclosure or duplication without proper written approval is strictly prohibited. Acceptance and use of this drawing constitutes knowledge and acceptance by the user of the terms and conditions set forth in the notice and warning which accompanied this drawing is incorporated herein and made part hereof and is found on Cardinal Systems, Inc.'s website at www.CardinalSystemsInc.com