

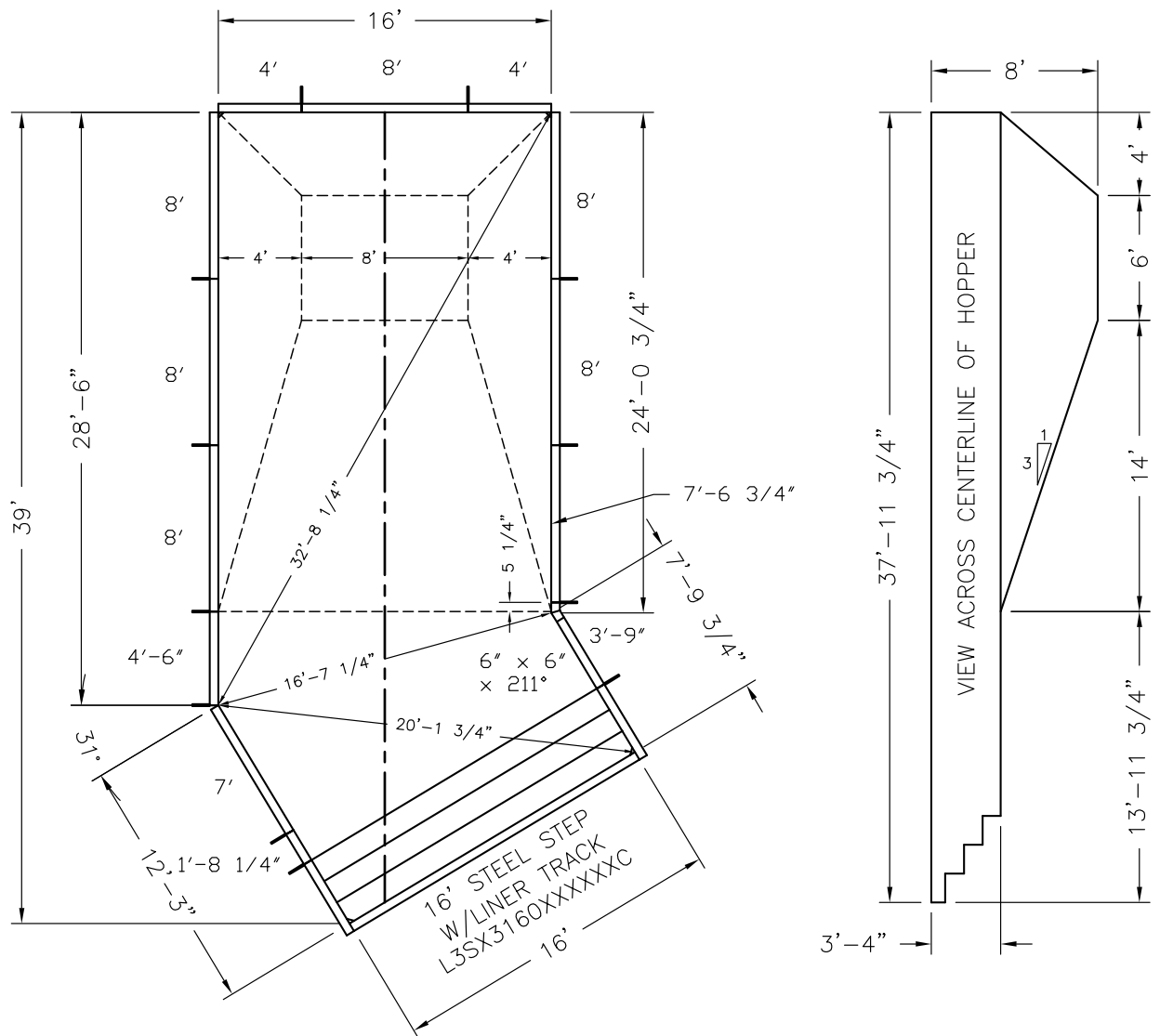


Pool Size: 16' X 39' **Approx Gal:** 21,134
Pool Shape: LAZY ELL
Pool Number: 1639LL - 6 (STEEL L3)

250 Route 61 South, Schuylkill Haven, PA 17972 • 570-385-4733 • fax: 570-385-1318 • CustomerService@CardinalSystemsinc.com

Bill of Materials

PART NO.	QUANTITY	DESCRIPTION
"A" FRAME	12	"A" FRAME ASSEMBLY
CS902SA	2	90 DEG CORNER ANGLE
CS902SB	2	6" RAD CORNER FILLER "BIG VEE"
CS930WW-31	1	31° CORNER ANGLE
L3SX3160XXXXXXC	1	16' STEEL STEP W/LINER TRACK
5S42182XXX0	1	1'-8 1/4" Straight PANEL W/0 Z
5S42390XXX0	1	3'-9" Straight PANEL W/0 Z
5S42400XXX0	2	4" Straight PANEL W/0 Z
5S42460XXX0	1	4'-6" Straight PANEL W/0 Z
5S42700XXX2	1	7' Straight PANEL W/2 Z
5S42766XXX2	1	7'-6 3/4" Straight PANEL W/2 Z
5S42800XXX2	6	8' Straight PANEL W/2 Z
5T42060211060	1	6" x 6" x 211° ELL



Date: 5/10/2022	Perimeter: 104'-7 1/2"	 cardinalpools.com
Drawn By: JESSE H	Area: 581.0 SQ. FT.	
Scale: 1/8" = 1'-0"	Notes: - - - -	

This information is the confidential property of Cardinal Systems, Inc. Disclosure or duplication without proper written approval is strictly prohibited. Acceptance and use of this drawing constitutes knowledge and acceptance by the user of the terms and conditions set forth in the notice and warning which accompanied this drawing is incorporated herein and made part hereof and is found on Cardinal Systems, Inc's website at www.CardinalSystemsInc.com

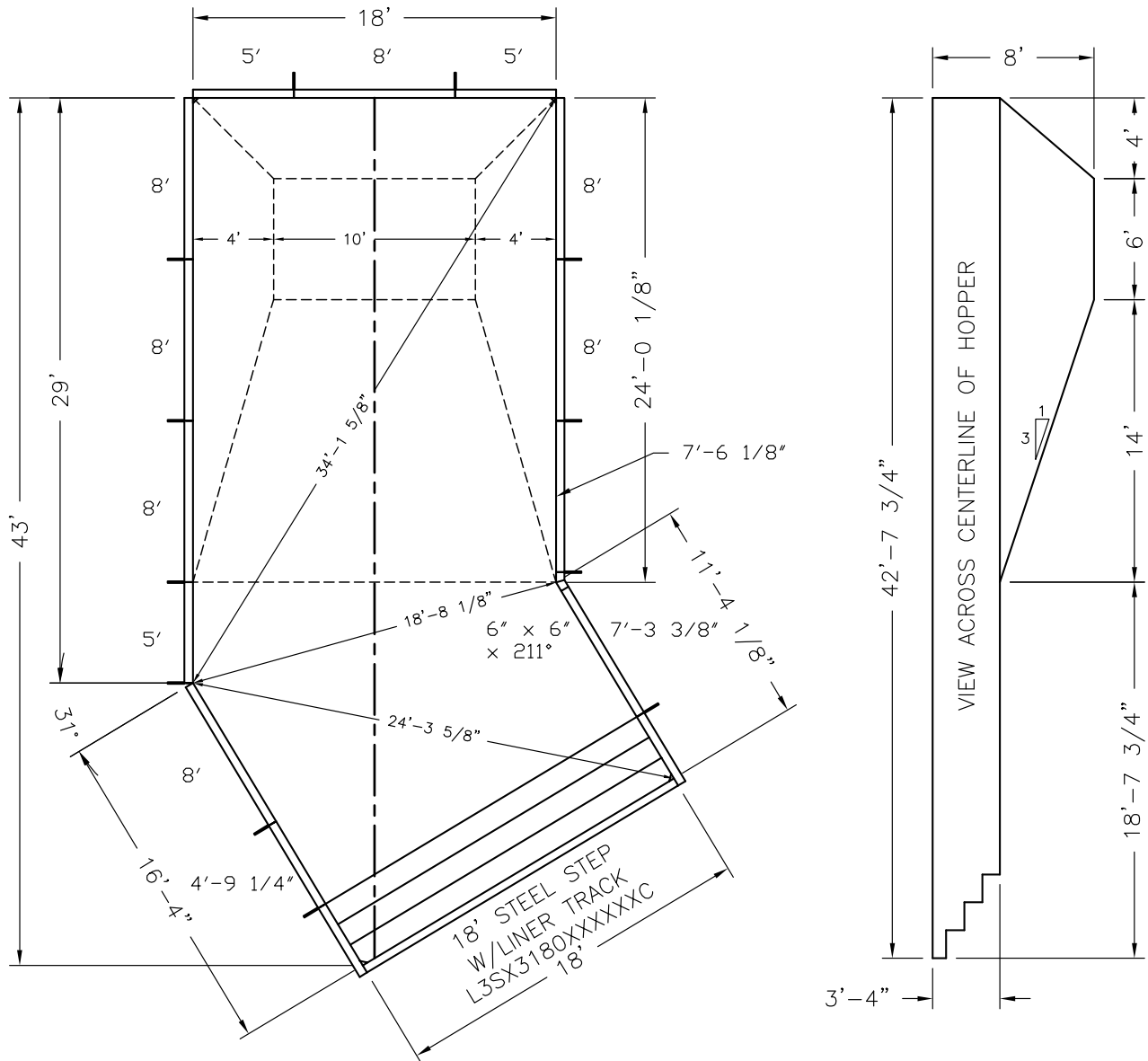


Pool Size: 18' X 43' **Approx Gal:** 26,412
Pool Shape: LAZY ELL
Pool Number: 1843LL - 6 (STEEL L3)

250 Route 61 South, Schuylkill Haven, PA 17972 • 570-385-4733 • fax: 570-385-1318 • CustomerService@CardinalSystemsinc.com

Bill of Materials

PART NO.	QUANTITY	DESCRIPTION
"A" FRAME	12	"A" FRAME ASSEMBLY
CS902SA	2	90 DEG CORNER ANGLE
CS902SB	2	6" RAD CORNER FILLER "BIG VEE"
CS930WV-31	1	31° CORNER ANGLE
L3SX3180XXXXXC	1	18' STEEL STEP W/LINER TRACK
5S42492XXX0	1	4'-9 1/4" Straight PANEL W/0 Z
5S42500XXX0	3	5' Straight PANEL W/0 Z
5S42733XXX2	1	7'-3 3/8" Straight PANEL W/2 Z
5S42761XXX2	1	7'-6 1/8" Straight PANEL W/2 Z
5S42800XXX2	7	8' Straight PANEL W/2 Z
5T42060211060	1	6" x 6" x 211° ELL



Date: 5/10/2022

Perimeter: 116'-8 1/8"

Drawn By: JESSE H

Area: 726.1 SQ. FT.

Scale: 1/8" = 1'-0"

Notes: - - - -



cardinalpools.com

This information is the confidential property of Cardinal Systems, Inc. Disclosure or duplication without proper written approval is strictly prohibited. Acceptance and use of this drawing constitutes knowledge and acceptance by the user of the terms and conditions set forth in the notice and warning which accompanied this drawing is incorporated herein and made part hereof and is found on Cardinal Systems, Inc's website at www.CardinalSystemsInc.com

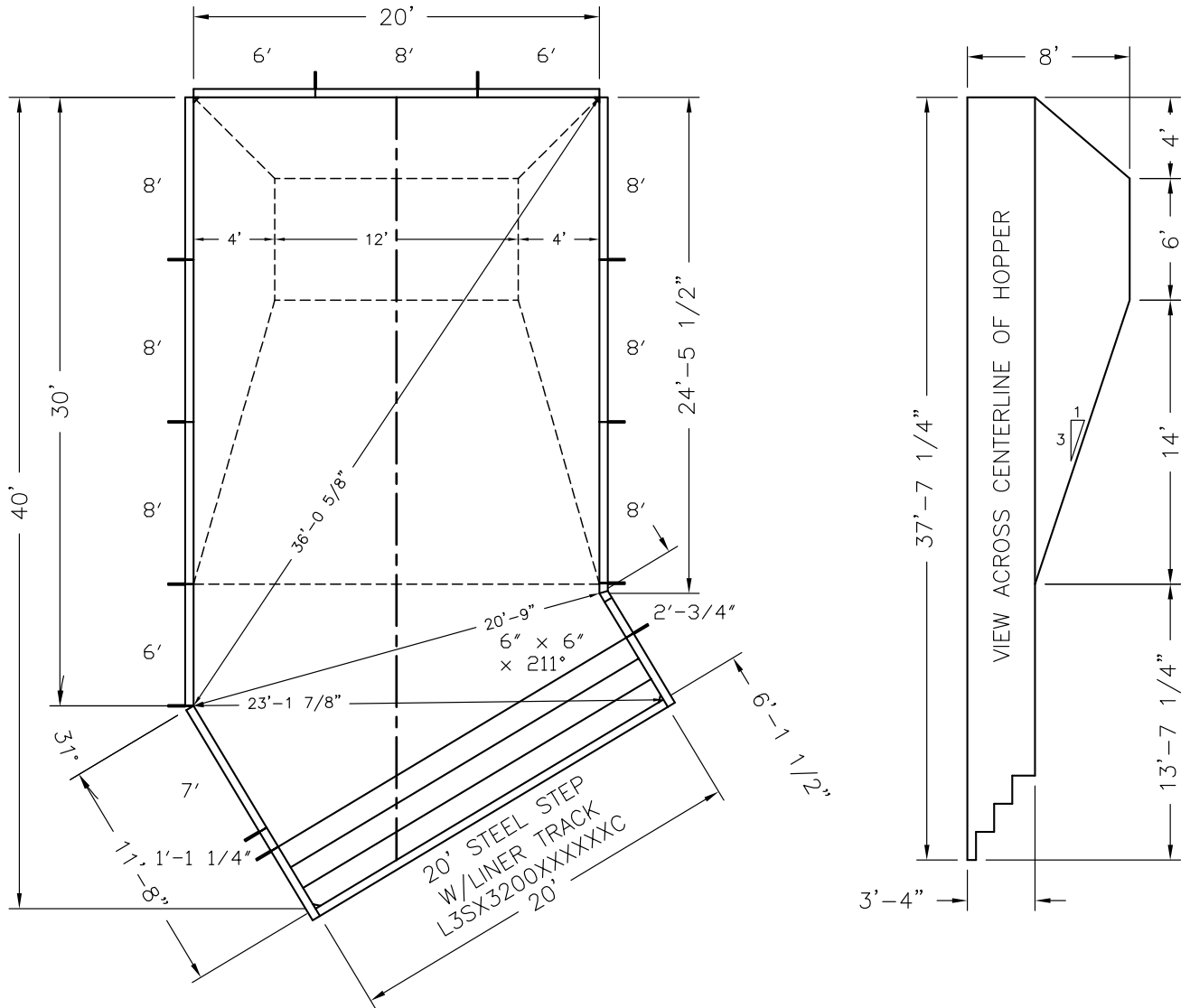



Pool Size: 20' X 40' **Approx Gal:** 26,278
Pool Shape: LAZY ELL
Pool Number: 2040LL - 6 (STEEL L3)

250 Route 61 South, Schuylkill Haven, PA 17972 • 570-385-4733 • fax: 570-385-1318 • CustomerService@CardinalSystemsinc.com

Bill of Materials

PART NO.	QUANTITY	DESCRIPTION
"A" FRAME	12	"A" FRAME ASSEMBLY
CS902SA	2	90 DEG CORNER ANGLE
CS902SB	2	6" RAD CORNER FILLER "BIG VEE"
CS930WW-31	1	31° CORNER ANGLE
L3SX3200XXXXXC	1	20' STEEL STEP W/LINER TRACK
5S42112XXX0	1	1'-1 1/4" Straight PANEL W/0 Z
5S42206XXX0	1	2'-3/4" Straight PANEL W/0 Z
5S42600XXX1	3	6" Straight PANEL W/1 Z
5S42700XXX2	1	7" Straight PANEL W/2 Z
5S42800XXX2	7	8" Straight PANEL W/2 Z
5T42060211060	1	6" x 6" x 211° ELL



Date: 5/10/2022	Perimeter: 112'-2 7/8"	 cardinalpools.com
Drawn By: JESSE H	Area: 722.4 SQ. FT.	
Scale: 1/8" = 1'-0"	Notes: - - - -	

This information is the confidential property of Cardinal Systems, Inc. Disclosure or duplication without proper written approval is strictly prohibited. Acceptance and use of this drawing constitutes knowledge and acceptance by the user of the terms and conditions set forth in the notice and warning which accompanied this drawing is incorporated herein and made part hereof and is found on Cardinal Systems, Inc's website at www.CardinalSystemsInc.com

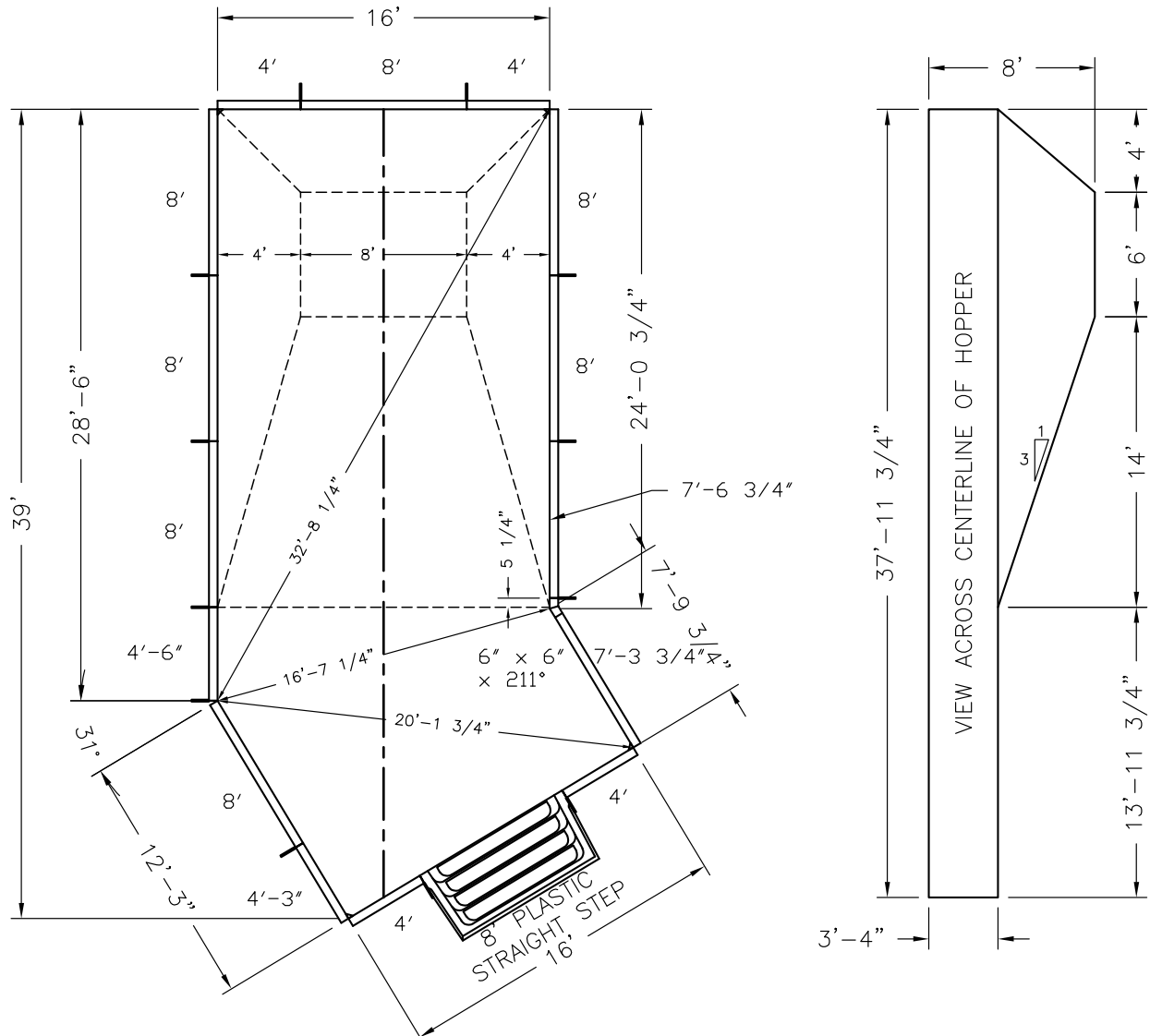


Pool Size: 16' X 39' **Approx Gal:** 21,134
Pool Shape: LAZY ELL
Pool Number: 1639LL - 6 (PLASTIC)

250 Route 61 South, Schuylkill Haven, PA 17972 • 570-385-4733 • fax: 570-385-1318 • CustomerService@CardinalSystemsinc.com

Bill of Materials

PART NO.	QUANTITY	DESCRIPTION
"A" FRAME	12	"A" FRAME ASSEMBLY
CS902SA	4	90 DEG CORNER ANGLE
CS902SB	4	6" RAD CORNER FILLER "BIG VEE"
CS930WW-31	1	31° CORNER ANGLE
5S42400XXX0	4	4' Straight PANEL W/0 Z
5S42430XXX0	1	4'-3" Straight PANEL W/0 Z
5S42460XXX0	1	4'-6" Straight PANEL W/0 Z
5S42736XXX2	1	7'-3 3/4" Straight PANEL W/2 Z
5S42766XXX2	1	7'-6 3/4" Straight PANEL W/2 Z
5S42800XXX2	7	8' Straight PANEL W/2 Z
5T42060211060	1	6" x 6" x 211° ELL



Date: 5/10/2022	Perimeter: 104'-7 1/2"	
Drawn By: JESSE H	Area: 581.0 SQ. FT.	
Scale: 1/8" = 1'-0"	Notes: - - - -	

This information is the confidential property of Cardinal Systems, Inc. Disclosure or duplication without proper written approval is strictly prohibited. Acceptance and use of this drawing constitutes knowledge and acceptance by the user of the terms and conditions set forth in the notice and warning which accompanied this drawing is incorporated herein and made part hereof and is found on Cardinal Systems, Inc's website at www.CardinalSystemsinc.com

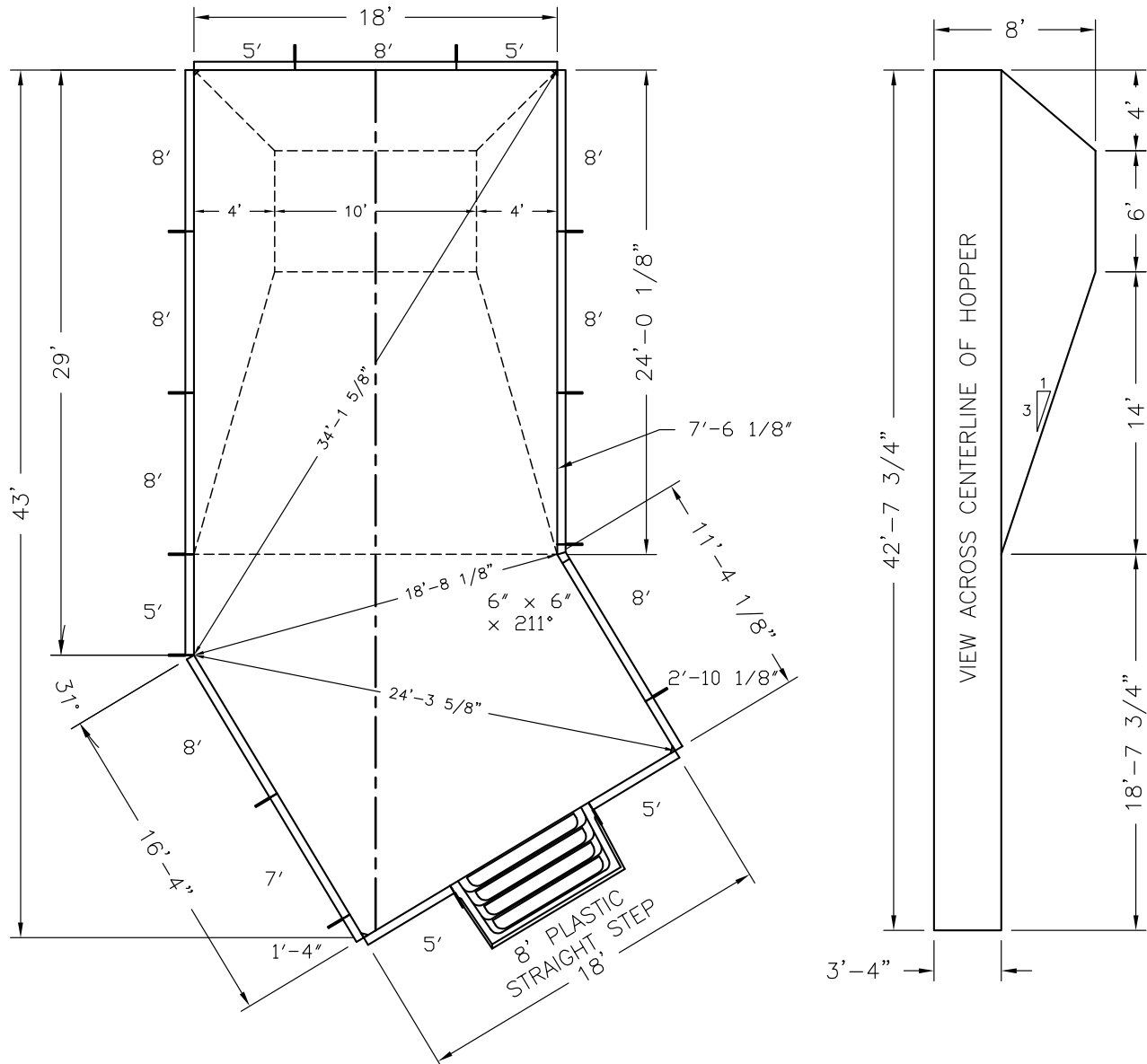


Pool Size: 18' X 43' **Approx Gal:** 26,412
Pool Shape: LAZY ELL
Pool Number: 1843LL - 6 (PLASTIC)

250 Route 61 South, Schuylkill Haven, PA 17972 • 570-385-4733 • fax: 570-385-1318 • CustomerService@CardinalSystemsinc.com

Bill of Materials

PART NO.	QUANTITY	DESCRIPTION
"A" FRAME	14	"A" FRAME ASSEMBLY
CS902SA	4	90 DEG CORNER ANGLE
CS902SB	4	6" RAD CORNER FILLER "BIG VEE"
CS930WW-31	1	31° CORNER ANGLE
5S42140XXX0	1	1'-4" Straight PANEL W/0 Z
5S42211XXX0	1	2'-10 1/8" Straight PANEL W/0 Z
5S42500XXX0	5	5' Straight PANEL W/0 Z
5S42700XXX2	1	7' Straight PANEL W/2 Z
5S42761XXX2	1	7'-6 1/8" Straight PANEL W/2 Z
5S42800XXX2	8	8' Straight PANEL W/2 Z
5T42060211060	1	6" x 6" x 211° ELL



Date: 5/10/2022	Perimeter: 116'-8 1/8"
Drawn By: JESSE H	Area: 726.1 SQ. FT.
Scale: 1/8" = 1'-0"	Notes: -----



This information is the confidential property of Cardinal Systems, Inc. Disclosure or duplication without proper written approval is strictly prohibited. Acceptance and use of this drawing constitutes knowledge and acceptance by the user of the terms and conditions set forth in the notice and warning which accompanied this drawing is incorporated herein and made part hereof and is found on Cardinal Systems, Inc's website at www.CardinalSystemsInc.com

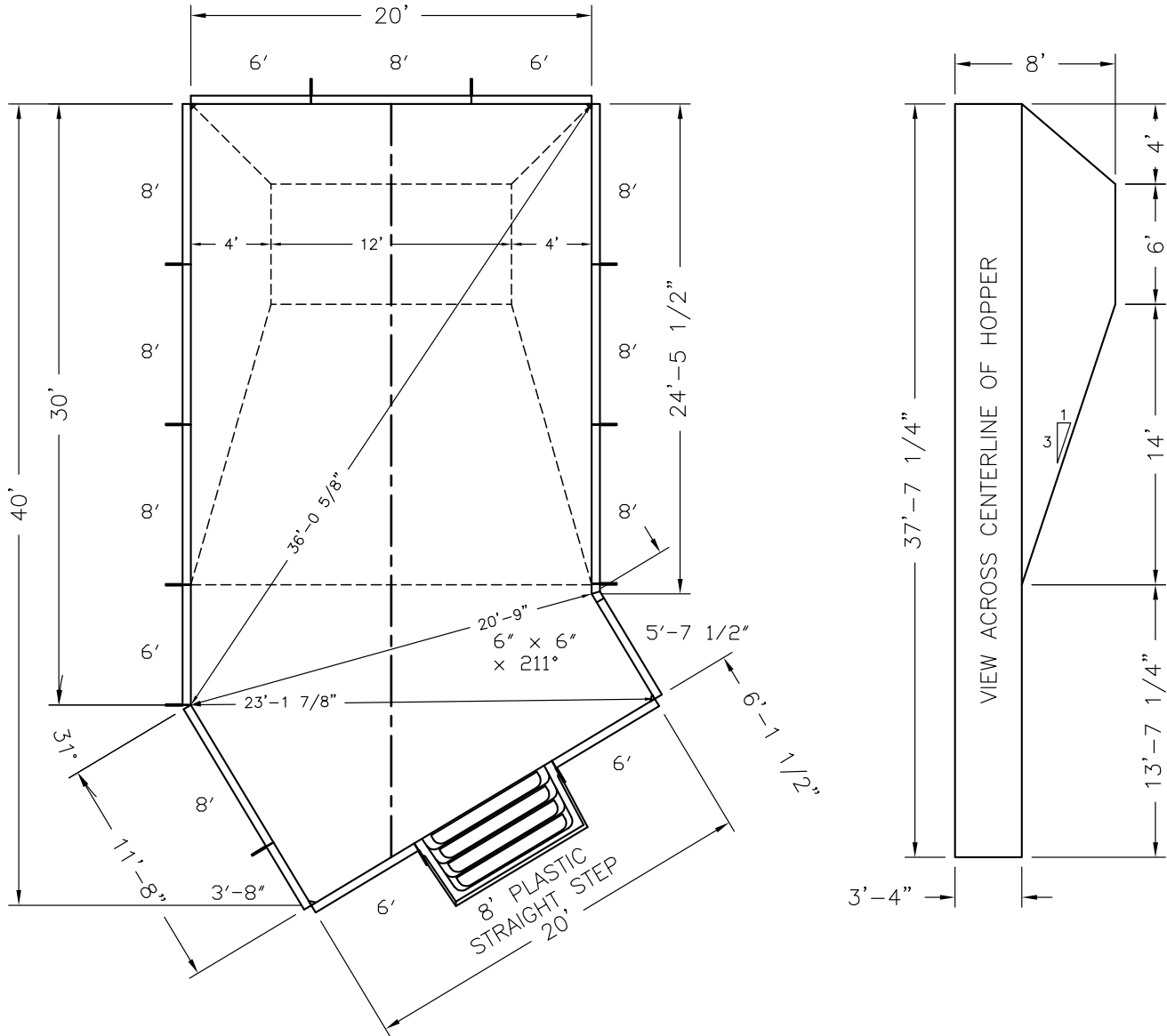



Pool Size: 20' X 40' **Approx Gal:** 26,278
Pool Shape: LAZY ELL
Pool Number: 2040LL - 6 (PLASTIC)

250 Route 61 South, Schuylkill Haven, PA 17972 • 570-385-4733 • fax: 570-385-1318 • CustomerService@CardinalSystemsInc.com

Bill of Materials

PART NO.	QUANTITY	DESCRIPTION
"A" FRAME	12	"A" FRAME ASSEMBLY
CS902SA	4	90 DEG CORNER ANGLE
CS902SB	4	6" RAD CORNER FILLER "BIG VEE"
CS930WV-31	1	31° CORNER ANGLE
5S42380XXX0	1	3'-8" Straight PANEL W/O Z
5S42574XXX1	1	5'-7 1/2" Straight PANEL W/I Z
5S42600XXX1	5	6' Straight PANEL W/I Z
5S42800XXX2	8	8' Straight PANEL W/I Z
5T42060211060	1	6" x 6" x 211° ELL



Date: 5/10/2022	Perimeter: 112'-2 7/8"	 <small>cardinalpools.com</small>
Drawn By: JESSE H	Area: 722.4 SQ. FT.	
Scale: 1/8" = 1'-0"	Notes: - - - -	

This information is the confidential property of Cardinal Systems, Inc. Disclosure or duplication without proper written approval is strictly prohibited. Acceptance and use of this drawing constitutes knowledge and acceptance by the user of the terms and conditions set forth in the notice and warning which accompanied this drawing is incorporated herein and made part hereof and is found on Cardinal Systems, Inc's website at www.CardinalSystemsInc.com



Pool Size: 16' X 39'

Approx Gal: 21,011

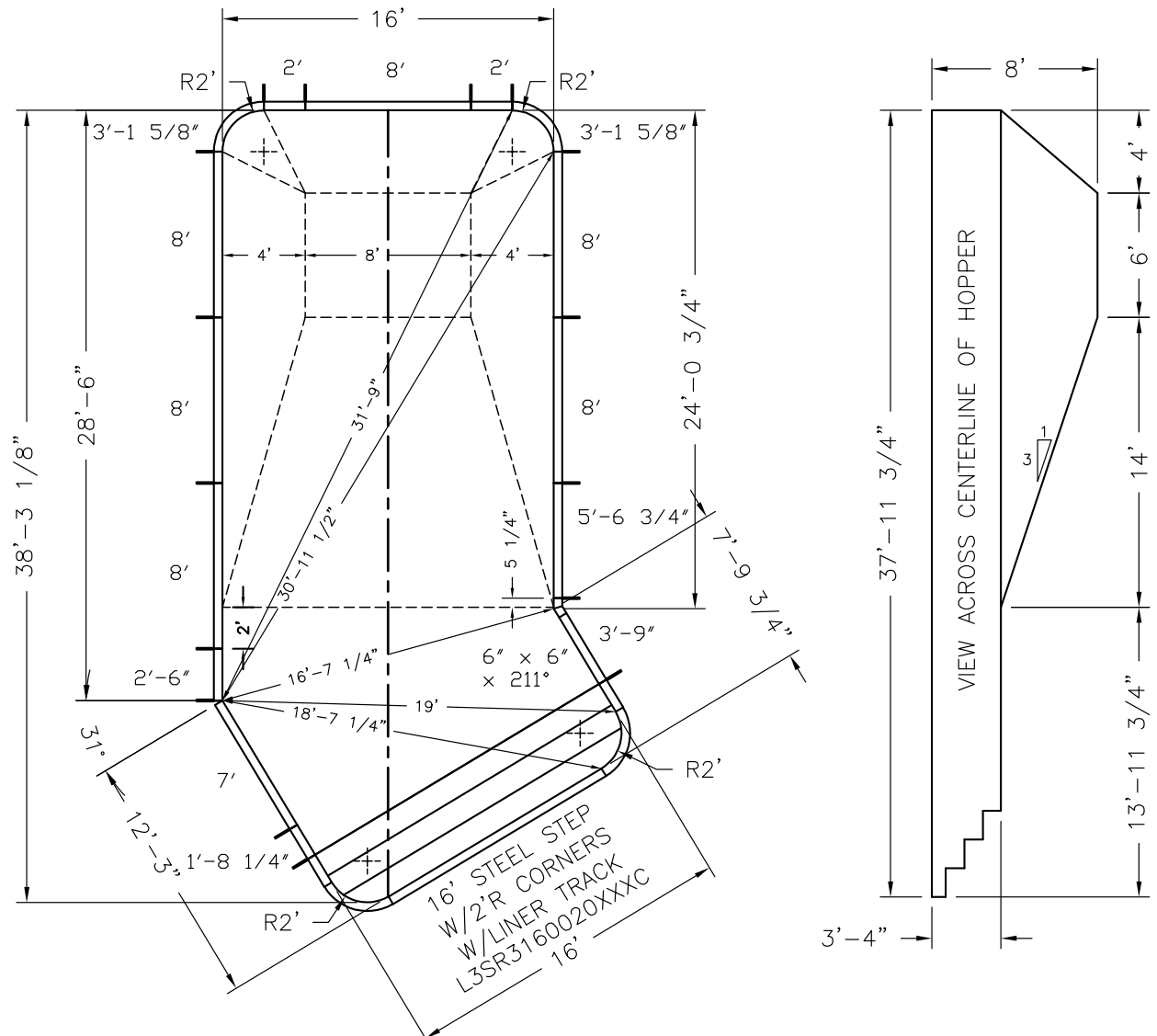
Pool Shape: LAZY ELL

Pool Number: 1639LL - 2R (STEEL L3)

250 Route 61 South, Schuylkill Haven, PA 17972 • 570-385-4733 • fax: 570-385-1318 • CustomerService@CardinalSystemsinc.com

Bill of Materials

PART NO.	QUANTITY	DESCRIPTION
"A" FRAME	16	"A" FRAME ASSEMBLY
5C42315XX02000	2	2' RADIUS CORNER
CS930WW-31	1	31° CORNER ANGLE
L3SR3160020XXXC	1	16' STEEL STEP W/2' RADIUS CORNERS W/LINER TRACK
5S42182XXXX0	1	1'-8 1/4" Straight PANEL W/0 Z
5S42200XXXX0	2	2' Straight PANEL W/0 Z
5S42260XXXX0	1	2'-6" Straight PANEL W/0 Z
5S42390XXXX0	1	3'-9" Straight PANEL W/0 Z
5S42566XXX1	1	5'-6 3/4" Straight PANEL W/1 Z
5S42700XXX2	1	7' Straight PANEL W/2 Z
5S42800XXX2	6	8' Straight PANEL W/2 Z
5T42060211060	1	6" x 6" x 211° ELL



Date: 5/10/2022	Perimeter: 101'-2 1/4"	
Drawn By: JESSE H	Area: 577.6 SQ. FT.	
Scale: 1/8" = 1'-0"	Notes: -----	

This information is the confidential property of Cardinal Systems, Inc. Disclosure or duplication without proper written approval is strictly prohibited. Acceptance and use of this drawing constitutes knowledge and acceptance by the user of the terms and conditions set forth in the notice and warning which accompanied this drawing is incorporated herein and made part hereof and is found on Cardinal Systems, Inc's website at www.CardinalSystemsInc.com

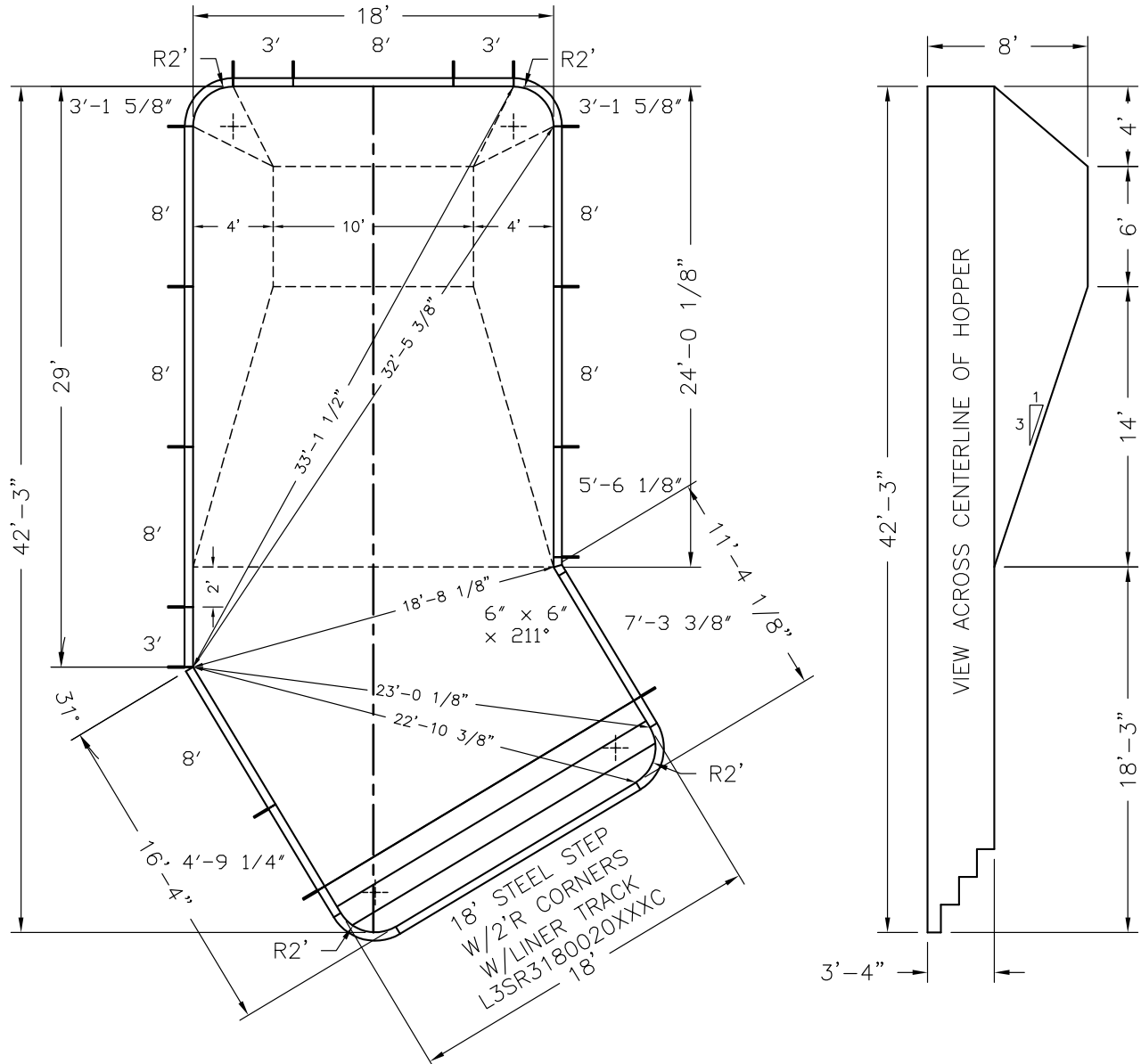



Pool Size: 18' X 43' **Approx Gal:** 26,412
Pool Shape: LAZY ELL
Pool Number: 1843LL - 2R (STEEL L3)

250 Route 61 South, Schuylkill Haven, PA 17972 • 570-385-4733 • fax: 570-385-1318 • CustomerService@CardinalSystemsinc.com

Bill of Materials

PART NO.	QUANTITY	DESCRIPTION
"A" FRAME	16	"A" FRAME ASSEMBLY
5C42315XX02000	2	2' RADIUS CORNER
CS930WW-31	1	31° CORNER ANGLE
L3SR3180020XXXX	1	18 STEEL STEP W/2' RADIUS CORNERS W/LINER TRACK
5S42300XXX0	3	3' Straight PANEL W/0 Z
5S42492XXX0	1	4'-9 1/4" Straight PANEL W/0 Z
5S42561XXX1	1	5'-6 1/8" Straight PANEL W/1 Z
5S42733XXX2	1	7'-3 3/8" Straight PANEL W/2 Z
5S42800XXX2	7	8' Straight PANEL W/2 Z
5T42060211060	1	6" x 6" x 211° ELL



Date: 5/10/2022	Perimeter: 116'-8 1/8"	 cardinalpools.com
Drawn By: JESSE H	Area: 726.1 SQ. FT.	
Scale: 1/8" = 1'-0"	Notes: - - - -	
This information is the confidential property of Cardinal Systems, Inc. Disclosure or duplication without proper written approval is strictly prohibited. Acceptance and use of this drawing constitutes knowledge and acceptance by the user of the terms and conditions set forth in the notice and warning which accompanied this drawing is incorporated herein and made part hereof and is found on Cardinal Systems, Inc's website at www.CardinalSystemsInc.com		

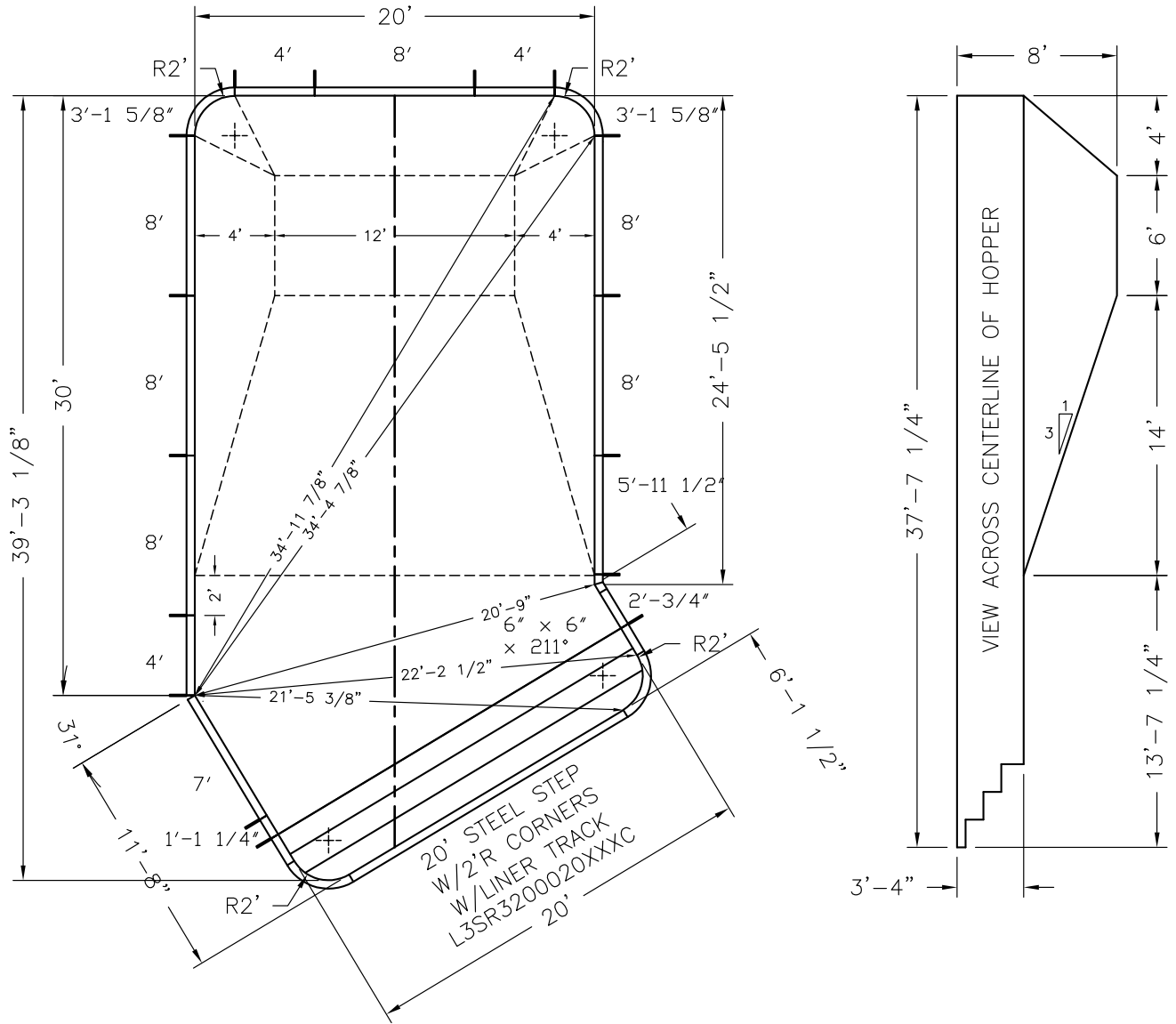



Pool Size: 20' X 40' **Approx Gal:** 26,150
Pool Shape: LAZY ELL
Pool Number: 2040LL - 2R (STEEL L3)

250 Route 61 South, Schuylkill Haven, PA 17972 • 570-385-4733 • fax: 570-385-1318 • CustomerService@CardinalSystemsinc.com

Bill of Materials

PART NO.	QUANTITY	DESCRIPTION
"A" FRAME	16	"A" FRAME ASSEMBLY
5C42315XX02000	2	2' RADIUS CORNER
CS930WW-31	1	31° CORNER ANGLE
L3SR3200020XXXX	1	20' STEEL STEP W/2' RADIUS CORNERS W/LINER TRACK
5S42112XXX0	1	1'-1 1/4" Straight PANEL W/0 Z
5S42206XXX0	1	2'-3/4" Straight PANEL W/0 Z
5S42400XXX0	3	4" Straight PANEL W/0 Z
5S425E4XXX1	1	5'-11 1/2" Straight PANEL W/1 Z
5S42700XXX2	1	7" Straight PANEL W/2 Z
5S42800XXX2	6	8" Straight PANEL W/2 Z
5T42060211060	1	6" x 6" x 211° ELL



Date: 5/10/2022	Perimeter: 108' - 9 5/8"	 cardinalpools.com
Drawn By: JESSE H	Area: 718.9 SQ. FT.	
Scale: 1/8" = 1'-0"	Notes: - - - -	

This information is the confidential property of Cardinal Systems, Inc. Disclosure or duplication without proper written approval is strictly prohibited. Acceptance and use of this drawing constitutes knowledge and acceptance by the user of the terms and conditions set forth in the notice and warning which accompanied this drawing is incorporated herein and made part hereof and is found on Cardinal Systems, Inc's website at www.CardinalSystemsInc.com



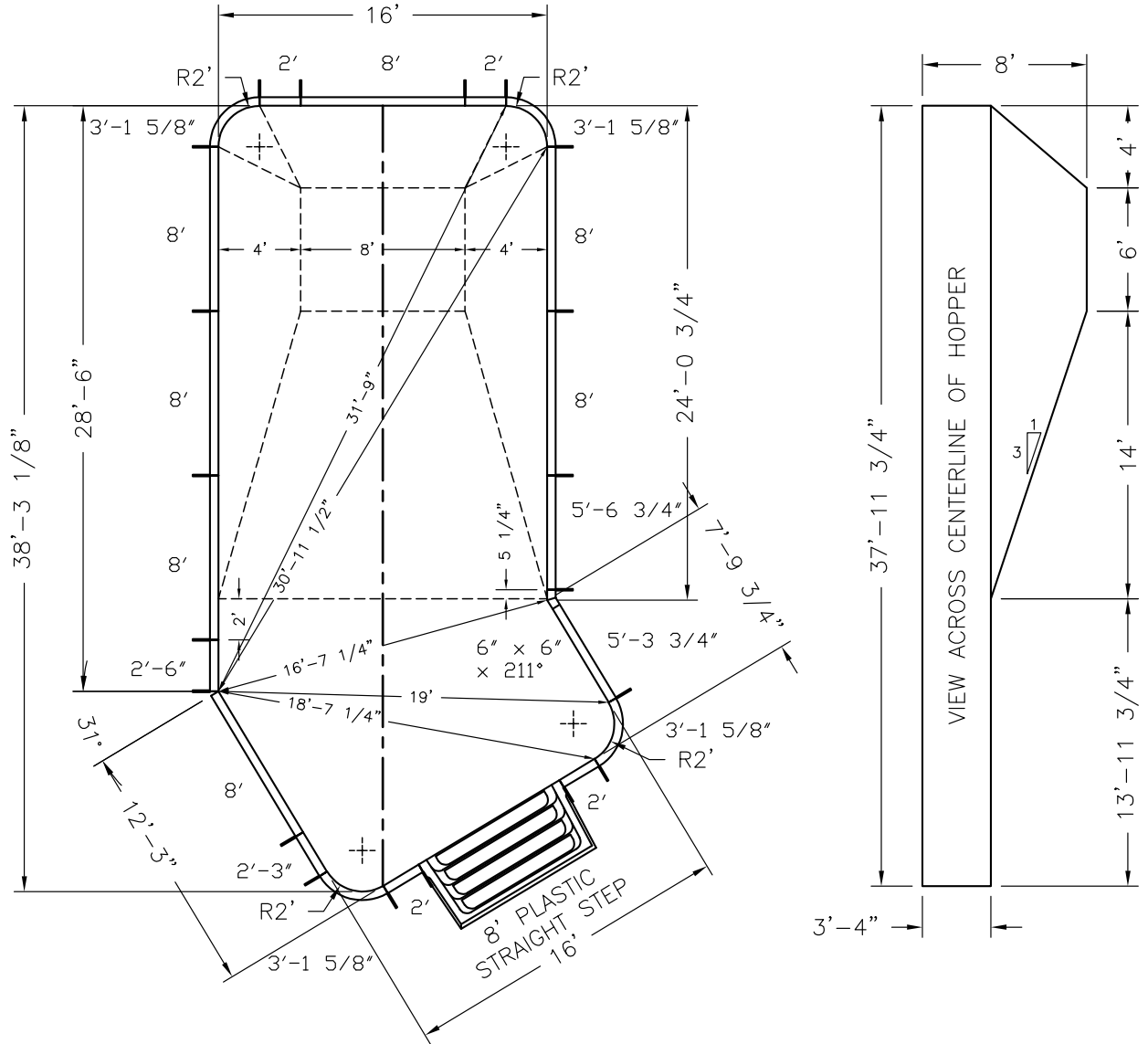
Pool Size: 16' X 39'
Pool Shape: LAZY ELL
Pool Number: 1639LL - 2R (PLASTIC)

Approx Gal: 21,011

250 Route 61 South, Schuylkill Haven, PA 17972 • 570-385-4733 • fax: 570-385-1318 • CustomerService@CardinalSystemsinc.com

Bill of Materials

PART NO.	QUANTITY	DESCRIPTION
"A" FRAME	20	"A" FRAME ASSEMBLY
5C42315XX02000	4	2' RADIUS CORNER
CS930W-31	1	31° CORNER ANGLE
5S42200XXX0	4	2' Straight PANEL W/O Z
5S42230XXX0	1	2'-3" Straight PANEL W/O Z
5S42260XXX0	1	2'-6" Straight PANEL W/O Z
5S42536XXX0	1	5'-3 3/4" Straight PANEL W/O Z
5S42566XXX1	1	5'-6 3/4" Straight PANEL W/O Z
5S42800XXX2	7	8' Straight PANEL W/O Z
5T42060211060	1	6" x 6" x 211° ELL



Date: 5/10/2022	Perimeter: 101'-2 1/4"
Drawn By: JESSE H	Area: 577.6 SQ. FT.
Scale: 1/8" = 1'-0"	Notes: -----



This information is the confidential property of Cardinal Systems, Inc. Disclosure or duplication without proper written approval is strictly prohibited. Acceptance and use of this drawing constitutes knowledge and acceptance by the user of the terms and conditions set forth in the notice and warning which accompanied this drawing is incorporated herein and made part hereof and is found on Cardinal Systems, Inc.'s website at www.CardinalSystemsInc.com

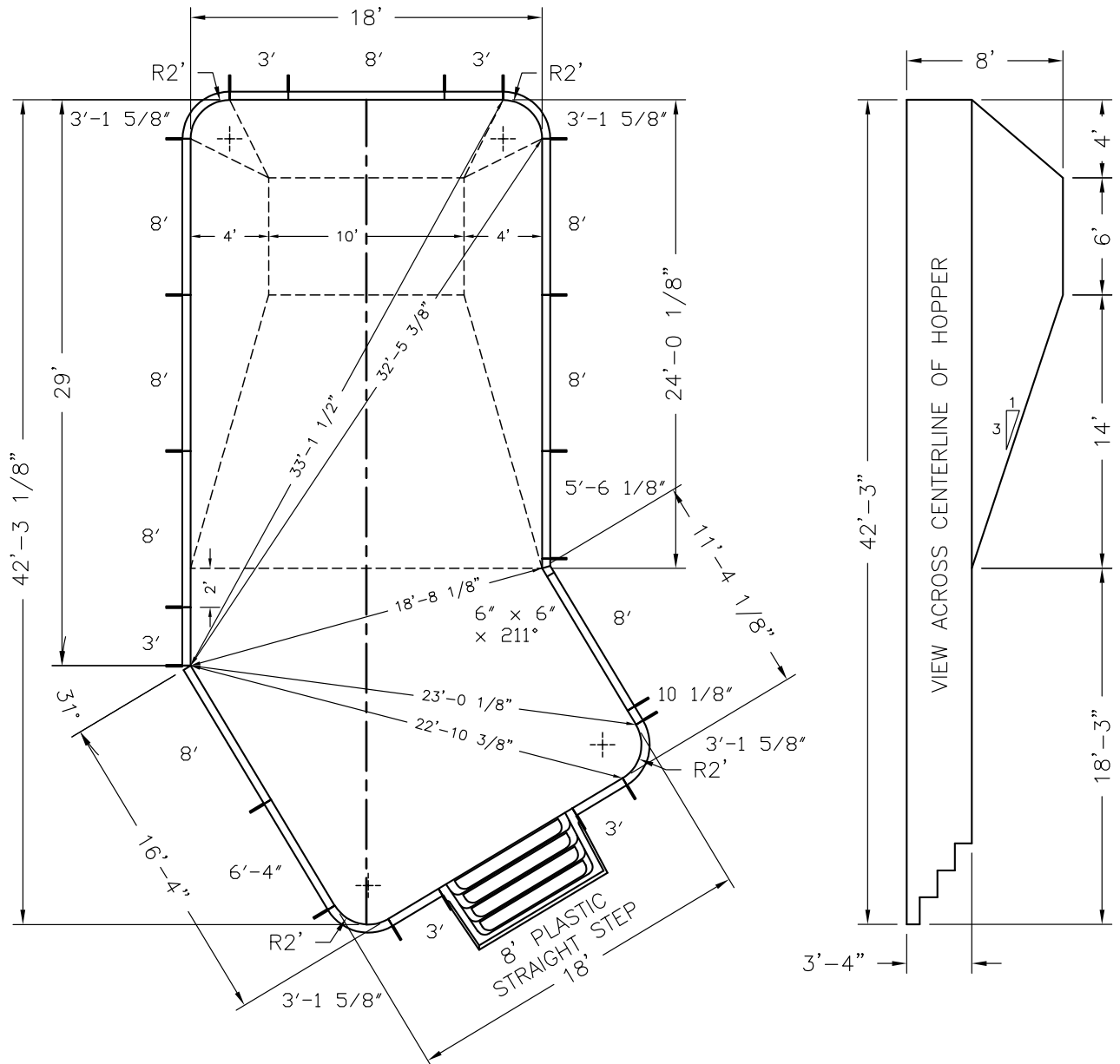


Pool Size: 18' X 43' **Approx Gal:** 21,011
Pool Shape: LAZY ELL
Pool Number: 1843LL - 2R (PLASTIC)

250 Route 61 South, Schuylkill Haven, PA 17972 • 570-385-4733 • fax: 570-385-1318 • CustomerService@CardinalSystemsinc.com

Bill of Materials

PART NO.	QUANTITY	DESCRIPTION
"A" FRAME	21	"A" FRAME ASSEMBLY
5C42315XX02000	4	2' RADIUS CORNER
CS930WW-31	1	31° CORNER ANGLE
5S42011XXX0	1	1 1/8" Straight PANEL W/0 Z
5S42300XXX0	5	3" Straight PANEL W/0 Z
5S42561XXX1	1	5'-6 1/8" Straight PANEL W/1 Z
5S42640XXX1	1	6'-4" Straight PANEL W/1 Z
5S42800XXX2	8	8' Straight PANEL W/2 Z
5T42060211060	1	6" x 6" x 211° ELL



Date: 5/10/2022	Perimeter: 116'-8 1/8"
Drawn By: JESSE H	Area: 726.1 SQ. FT.
Scale: 1/8" = 1'-0"	Notes: - - - -



This information is the confidential property of Cardinal Systems, Inc. Disclosure or duplication without proper written approval is strictly prohibited. Acceptance and use of this drawing constitutes knowledge and acceptance by the user of the terms and conditions set forth in the notice and warning which accompanied this drawing is incorporated herein and made part hereof and is found on Cardinal Systems, Inc's website at www.CardinalSystemsInc.com

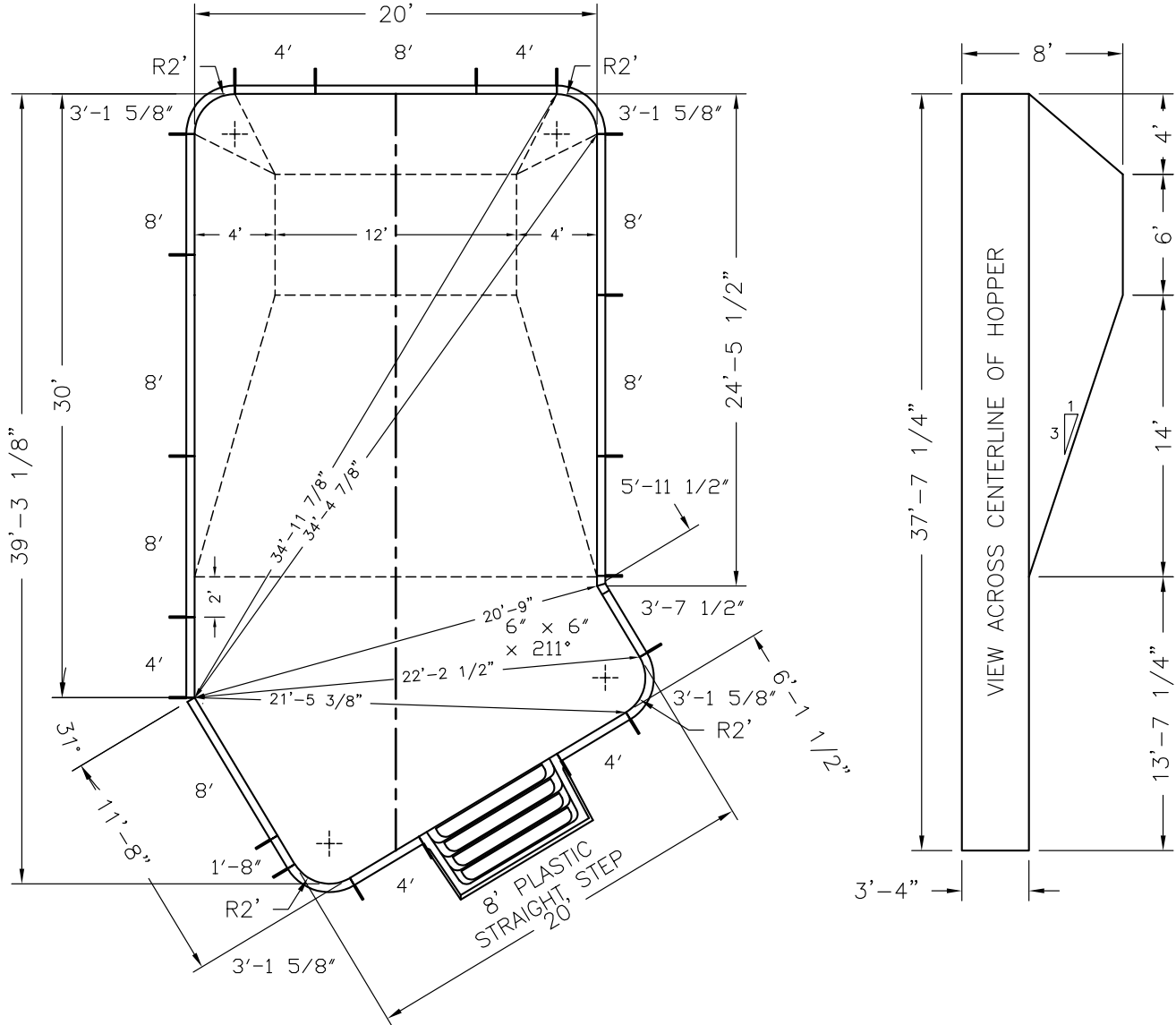


Pool Size: 20' X 40' **Approx Gal:** 26,150
Pool Shape: LAZY ELL
Pool Number: 2040LL - 2R (PLASTIC)

250 Route 61 South, Schuylkill Haven, PA 17972 • 570-385-4733 • fax: 570-385-1318 • CustomerService@CardinalSystemsinc.com

Bill of Materials

PART NO.	QUANTITY	DESCRIPTION
"A" FRAME	20	"A" FRAME ASSEMBLY
5C42315XX02000	4	2' RADIUS CORNER
CS930WV-31	1	31° CORNER ANGLE
5S42180XXX0	1	1'-8" Straight PANEL W/0 Z
5S42374XXX0	1	3'-7 1/2" Straight PANEL W/0 Z
5S42400XXX0	5	4' Straight PANEL W/0 Z
5S425E4XXX0	1	5'-11 1/2" Straight PANEL W/0 Z
5S42800XXX2	7	8' Straight PANEL W/2 Z
5T42060211060	1	6" x 6" x 211° ELL



Date: 5/10/2022	Perimeter: 108'-9 5/8"	
Drawn By: JESSE H	Area: 718.9 SQ. FT.	
Scale: 1/8" = 1'-0"	Notes: - - - -	
<p>This information is the confidential property of Cardinal Systems, Inc. Disclosure or duplication without proper written approval is strictly prohibited. Acceptance and use of this drawing constitutes knowledge and acceptance by the user of the terms and conditions set forth in the notice and warning which accompanied this drawing is incorporated herein and made part hereof and is found on Cardinal Systems, Inc.'s website at www.CardinalSystemsInc.com</p>		

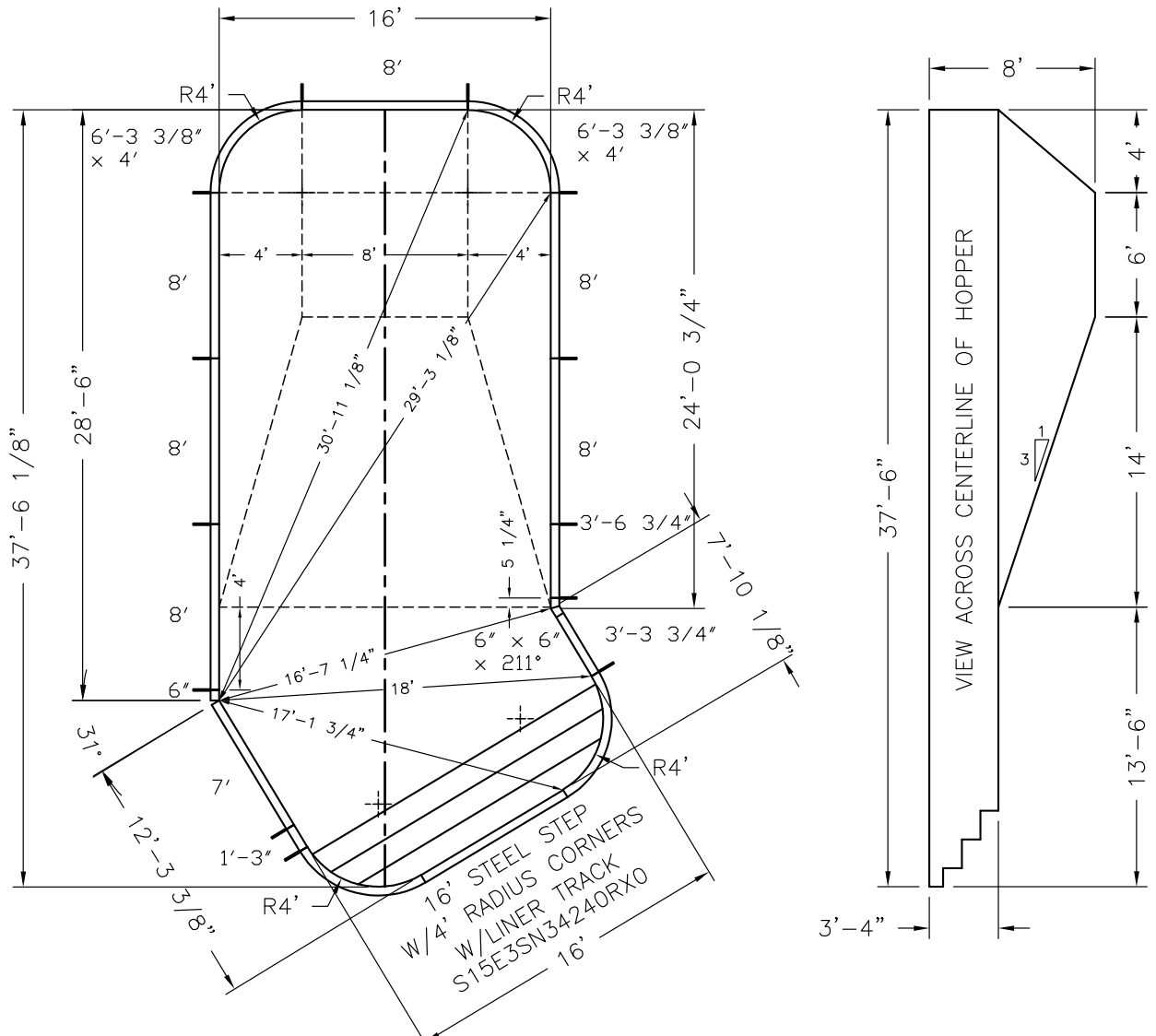



Pool Size: 16' X 39' **Approx Gal:** 20,636
Pool Shape: LAZY ELL
Pool Number: 1639LL - 4R (STEEL)

250 Route 61 South, Schuylkill Haven, PA 17972 • 570-385-4733 • fax: 570-385-1318 • CustomerService@CardinalSystemsinc.com

Bill of Materials

PART NO.	QUANTITY	DESCRIPTION
"A" FRAME	13	"A" FRAME ASSEMBLY
CS930WW-31	1	31° CORNER ANGLE
S15E3SN34240RX0	1	16' STEEL STEP W/4' RADIUS CORNERS W/LINER TRACK
5C42633XX04000	2	6'-3 3/8" x 4' Radius C PANEL W/0 Z
5S42060XXX0	1	6' Straight PANEL W/0 Z
5S42130XXX0	1	1'-3" Straight PANEL W/0 Z
5S42336XXX0	1	3'-3 3/4" Straight PANEL W/0 Z
5S42366XXX0	1	3'-6 3/4" Straight PANEL W/0 Z
5S42700XXX2	1	7' Straight PANEL W/2 Z
5S42800XXX2	6	8' Straight PANEL W/2 Z
5T42060211060	1	6" x 6" x 211° ELL



Date: 5/10/2022	Perimeter: 97'-9 1/8"	 <small>cardinalpools.com</small>
Drawn By: JESSE H	Area: 567.3 SQ. FT.	
Scale: 1/8" = 1'-0"	Notes: - - - -	

This information is the confidential property of Cardinal Systems, Inc. Disclosure or duplication without proper written approval is strictly prohibited. Acceptance and use of this drawing constitutes knowledge and acceptance by the user of the terms and conditions set forth in the notice and warning which accompanied this drawing is incorporated herein and made part hereof and is found on Cardinal Systems, Inc's website at www.CardinalSystemsInc.com

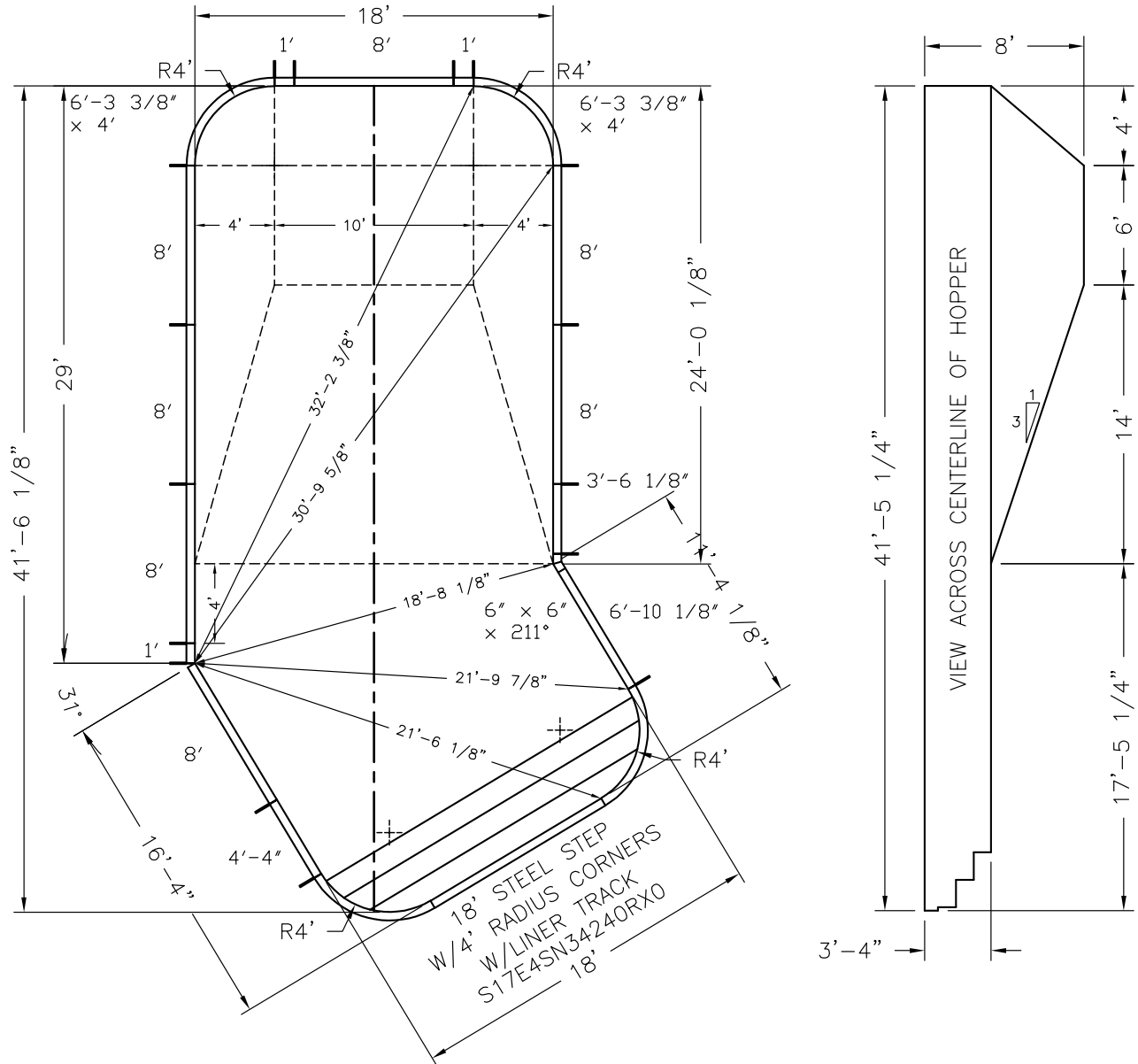



Pool Size: 18' X 43' **Approx Gal:** 25,914
Pool Shape: LAZY ELL
Pool Number: 1843LL - 4R (STEEL)

250 Route 61 South, Schuylkill Haven, PA 17972 • 570-385-4733 • fax: 570-385-1318 • CustomerService@CardinalSystemsinc.com

Bill of Materials

PART NO.	QUANTITY	DESCRIPTION
"A" FRAME	16	"A" FRAME ASSEMBLY
CS930W-31	1	31° CORNER ANGLE
S17E4SN34240RX0	1	18' STEEL STEP W/4' RADIUS CORNERS W/LINER TRACK
5C42633XX04000	2	6'-3 3/8" x 4' Radius C PANEL W/0 Z
5S42100XXX0	3	1' Straight PANEL W/0 Z
5S42361XXX0	1	3'-6 1/8" Straight PANEL W/0 Z
5S42440XXX0	1	4'-4" Straight PANEL W/0 Z
5S42611XXX1	1	6'-10 1/8" Straight PANEL W/1 Z
5S42800XXX2	7	8' Straight PANEL W/2 Z
5T42060211060	1	6" x 6" x 211° ELL



Date: 5/10/2022	Perimeter: 109'-9 3/4"	 <small>cardinalpools.com</small>
Drawn By: JESSE H	Area: 712.4 SQ. FT.	
Scale: 1/8" = 1'-0"	Notes: -----	
<small>This information is the confidential property of Cardinal Systems, Inc. Disclosure or duplication without proper written approval is strictly prohibited. Acceptance and use of this drawing constitutes knowledge and acceptance by the user of the terms and conditions set forth in the notice and warning which accompanied this drawing is incorporated herein and made part hereof and is found on Cardinal Systems, Inc's website at www.CardinalSystemsInc.com</small>		

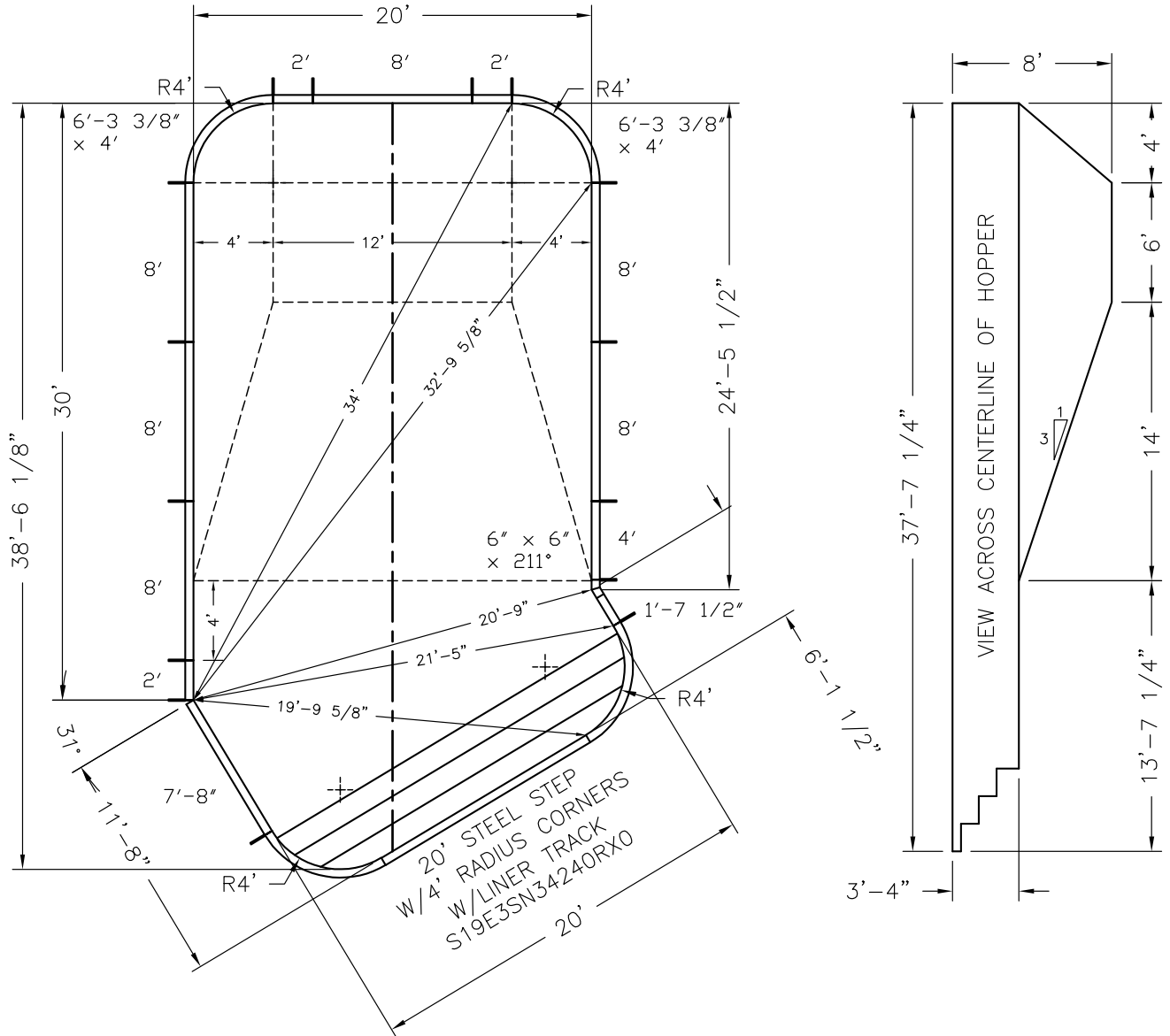


Pool Size: 20' X 40' **Approx Gal:** 25,779
Pool Shape: LAZY ELL
Pool Number: 2040LL - 4R (STEEL)

250 Route 61 South, Schuylkill Haven, PA 17972 • 570-385-4733 • fax: 570-385-1318 • CustomerService@CardinalSystemsinc.com

Bill of Materials

PART NO.	QUANTITY	DESCRIPTION
"A" FRAME	15	"A" FRAME ASSEMBLY
CS930WW-31	1	31° CORNER ANGLE
S19E3SN34240RX0	1	20' STEEL STEP W/4' RADIUS CORNERS W/LINER TRACK
5C42633XX04000	2	6'-3 3/8" x 4' Radius C PANEL W/0 Z
5S42174XXX0	1	1'-7 1/2" Straight PANEL W/0 Z
5S42200XXX0	3	2' Straight PANEL W/0 Z
5S42400XXX0	1	4' Straight PANEL W/0 Z
5S42780XXX2	1	7'-8" Straight PANEL W/2 Z
5S42800XXX2	6	8' Straight PANEL W/2 Z
5T42060211060	1	6" x 6" x 211° ELL



Date: 5/10/2022	Perimeter: 105'-4 1/2"	
Drawn By: JESSE H	Area: 708.7 SQ. FT.	
Scale: 1/8" = 1'-0"	Notes: - - - -	

This information is the confidential property of Cardinal Systems, Inc. Disclosure or duplication without proper written approval is strictly prohibited. Acceptance and use of this drawing constitutes knowledge and acceptance by the user of the terms and conditions set forth in the notice and warning which accompanied this drawing is incorporated herein and made part hereof and is found on Cardinal Systems, Inc's website at www.CardinalSystemsinc.com



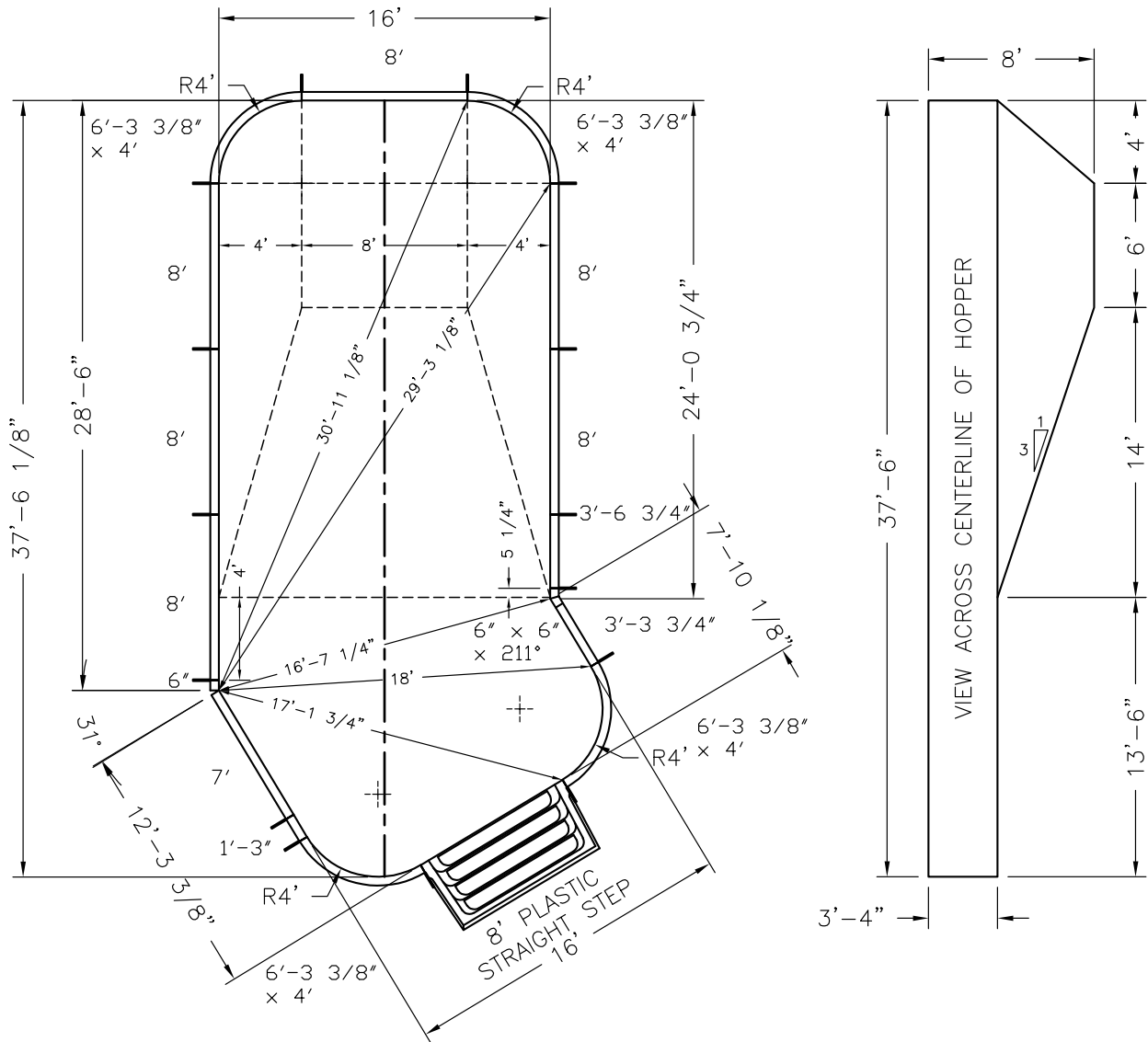
Pool Size: 16' X 39'
Pool Shape: LAZY ELL
Pool Number: 1639LL - 4R (PLASTIC)

Approx Gal: 20,636

250 Route 61 South, Schuylkill Haven, PA 17972 • 570-385-4733 • fax: 570-385-1318 • CustomerService@CardinalSystemsinc.com

Bill of Materials

PART NO.	QUANTITY	DESCRIPTION
"A" FRAME	15	"A" FRAME ASSEMBLY
CS930WV-31	1	31° CORNER ANGLE
5C42633XX04000	4	6'-3 3/8" x 4' Radius C PANEL W/O Z
5S42060XXX0	1	6" Straight PANEL W/O Z
5S42130XXX0	1	1'-3" Straight PANEL W/O Z
5S42336XXX0	1	3'-3 3/4" Straight PANEL W/O Z
5S42366XXX0	1	3'-6 3/4" Straight PANEL W/O Z
5S42700XXX2	1	7' Straight PANEL W/2 Z
5S42800XXX2	6	8' Straight PANEL W/2 Z
5T42060211060	1	6" x 6" x 211° ELL



Date: 5/10/2022

Perimeter: 97'-9 1/8"

Drawn By: JESSE H

Area: 567.3 SQ. FT.

Scale: 1/8" = 1'-0"

Notes: -----



cardinalpools.com

This information is the confidential property of Cardinal Systems, Inc. Disclosure or duplication without proper written approval is strictly prohibited. Acceptance and use of this drawing constitutes knowledge and acceptance by the user of the terms and conditions set forth in the notice and warning which accompanied this drawing is incorporated herein and made part hereof and is found on Cardinal Systems, Inc's website at www.CardinalSystemsInc.com

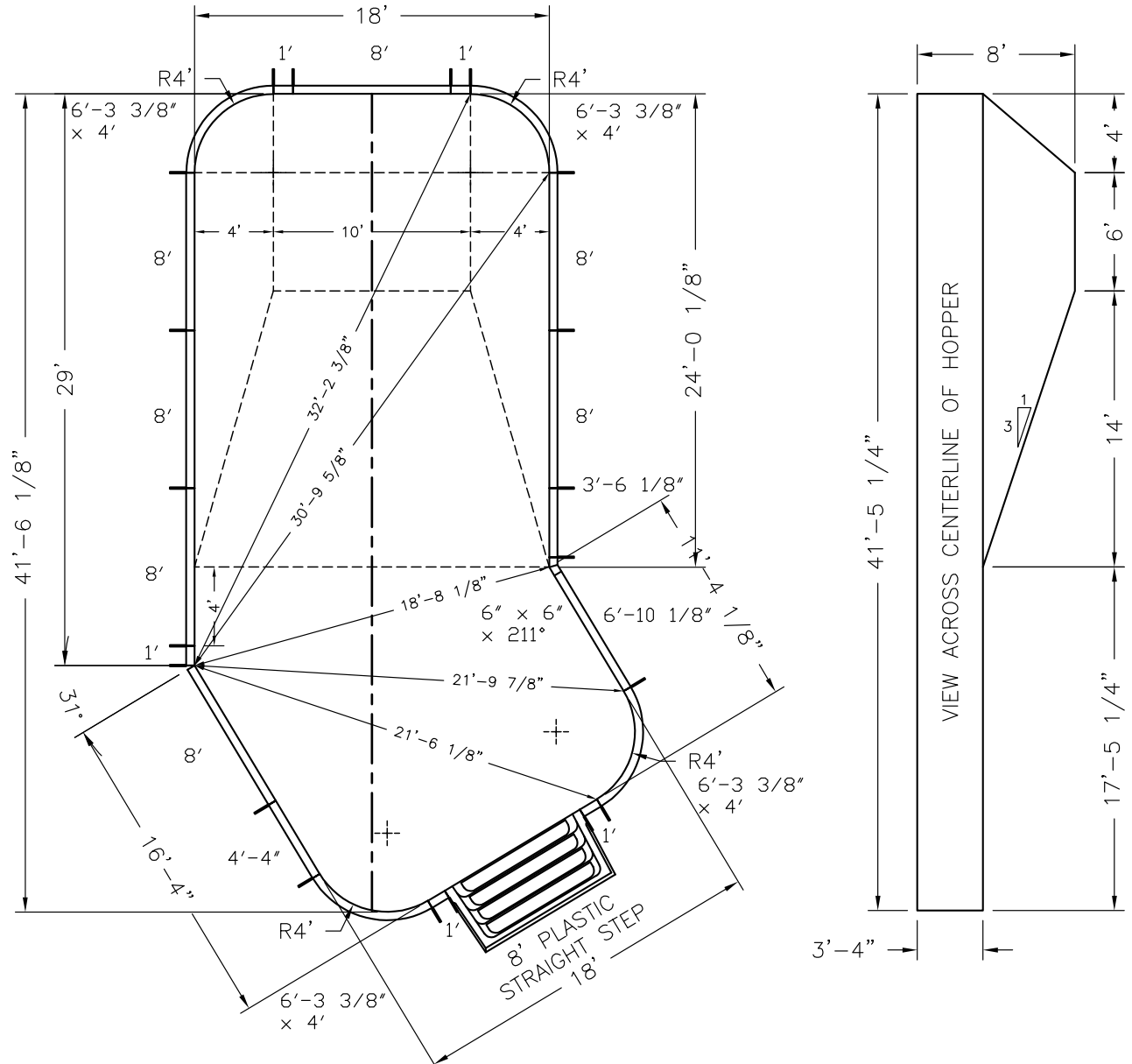


Pool Size: 18' X 43' **Approx Gal:** 25,914
Pool Shape: LAZY ELL
Pool Number: 1843LL - 4R (PLASTIC)

250 Route 61 South, Schuylkill Haven, PA 17972 • 570-385-4733 • fax: 570-385-1318 • CustomerService@CardinalSystemsinc.com

Bill of Materials

PART NO.	QUANTITY	DESCRIPTION
"A" FRAME	20	"A" FRAME ASSEMBLY
CS930WW-31	1	31° CORNER ANGLE
5C42633XX04000	4	6'-3 3/8" x 4' Radius C PANEL W/0 Z
5S42100XXX0	5	1' Straight PANEL W/0 Z
5S42361XXX0	1	3'-6 1/8" Straight PANEL W/0 Z
5S42440XXX0	1	4'-4" Straight PANEL W/0 Z
5S42611XXX1	1	6'-10 1/8" Straight PANEL W/1 Z
5S42800XXX2	7	8' Straight PANEL W/2 Z
5T42060211060	1	6" x 6" x 211° ELL



Date: 5/10/2022	Perimeter: 109'-9 3/4"	
Drawn By: JESSE H	Area: 712.4 SQ. FT.	
Scale: 1/8" = 1'-0"	Notes: - - - -	

This information is the confidential property of Cardinal Systems, Inc. Disclosure or duplication without proper written approval is strictly prohibited. Acceptance and use of this drawing constitutes knowledge and acceptance by the user of the terms and conditions set forth in the notice and warning which accompanied this drawing is incorporated herein and made part hereof and is found on Cardinal Systems, Inc's website at www.CardinalSystemsInc.com

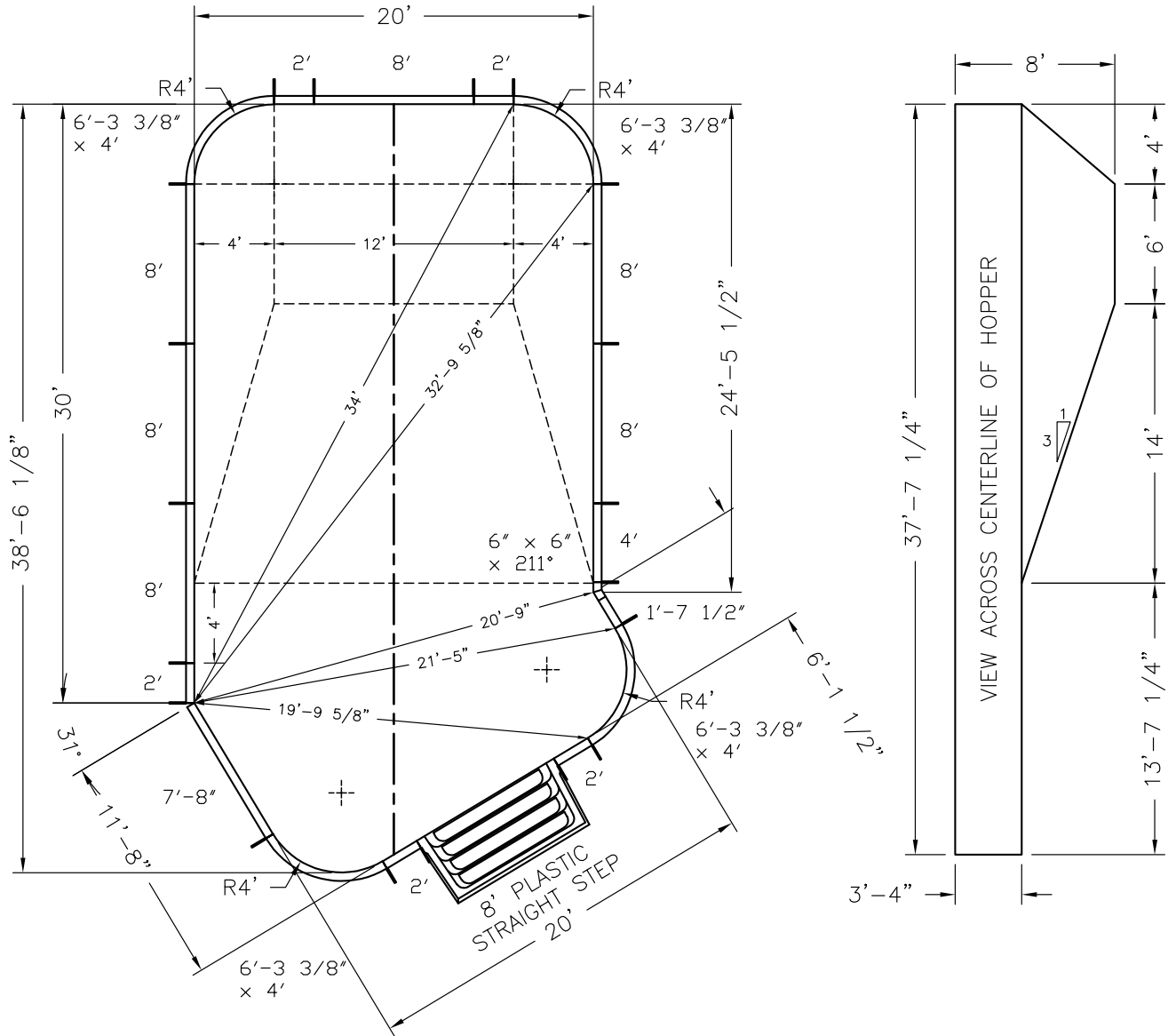



Pool Size: 20' X 40' **Approx Gal:** 25,779
Pool Shape: LAZY ELL
Pool Number: 2040LL - 4R (PLASTIC)

250 Route 61 South, Schuylkill Haven, PA 17972 • 570-385-4733 • fax: 570-385-1318 • CustomerService@CardinalSystemsinc.com

Bill of Materials

PART NO.	QUANTITY	DESCRIPTION
"A" FRAME	19	"A" FRAME ASSEMBLY
CS930WW-31	1	31° CORNER ANGLE
5C42633XX04000	4	6'-3 3/8" x 4' Radius C PANEL W/0 Z
5S42174XXX0	1	1'-7 1/2" Straight PANEL W/0 Z
5S42200XXX0	5	2' Straight PANEL W/0 Z
5S42400XXX0	1	4' Straight PANEL W/0 Z
5S42780XXX2	1	7'-8" Straight PANEL W/2 Z
5S42800XXX2	6	8' Straight PANEL W/2 Z
5T42060211060	1	6" x 6" x 211° ELL



Date: 5/10/2022	Perimeter: 105'-4 1/2"	 <small>cardinalpools.com</small>
Drawn By: JESSE H	Area: 708.7 SQ. FT.	
Scale: 1/8" = 1'-0"	Notes: - - - -	

This information is the confidential property of Cardinal Systems, Inc. Disclosure or duplication without proper written approval is strictly prohibited. Acceptance and use of this drawing constitutes knowledge and acceptance by the user of the terms and conditions set forth in the notice and warning which accompanied this drawing is incorporated herein and made part hereof and is found on Cardinal Systems, Inc's website at www.CardinalSystemsInc.com

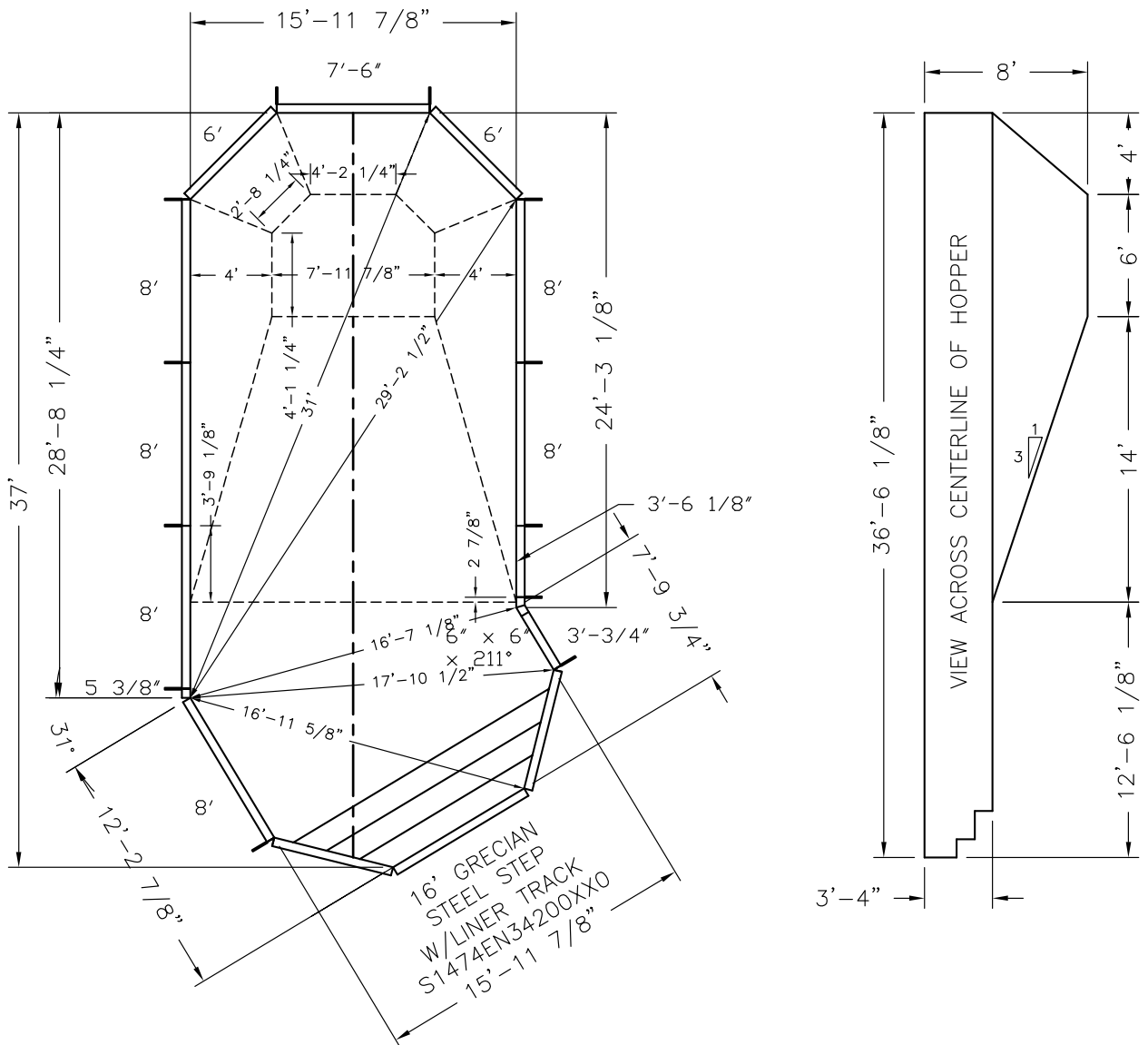



Pool Size: 16' X 37' **Approx Gal:** 19,916
Pool Shape: LAZY ELL GRECIAN
Pool Number: 1637LLGR – (STEEL)

250 Route 61 South, Schuylkill Haven, PA 17972 • 570-385-4733 • fax: 570-385-1318 • CustomerService@CardinalSystemsinc.com

Bill of Materials

PART NO.	QUANTITY	DESCRIPTION
"A" FRAME	12	"A" FRAME ASSEMBLY
CS901GC	6	GRECIAN CORNER ANGLE
CS930WW-31	1	31° CORNER ANGLE
STEP 1	1	16' GRECIAN STEEL STEP W/LINER TRACK
5S42053XXX0	1	5 3/8" Straight PANEL W/0 Z
5S42306XXX0	1	3'-3/4" Straight PANEL W/0 Z
5S42361XXX0	1	3'-6 1/8" Straight PANEL W/0 Z
5S42600XXX1	2	6" Straight PANEL W/1 Z
5S42760XXX2	1	7'-6" Straight PANEL W/2 Z
5S42800XXX2	6	8" Straight PANEL W/2 Z
5T42060211060	1	6" x 6" x 211° ELL



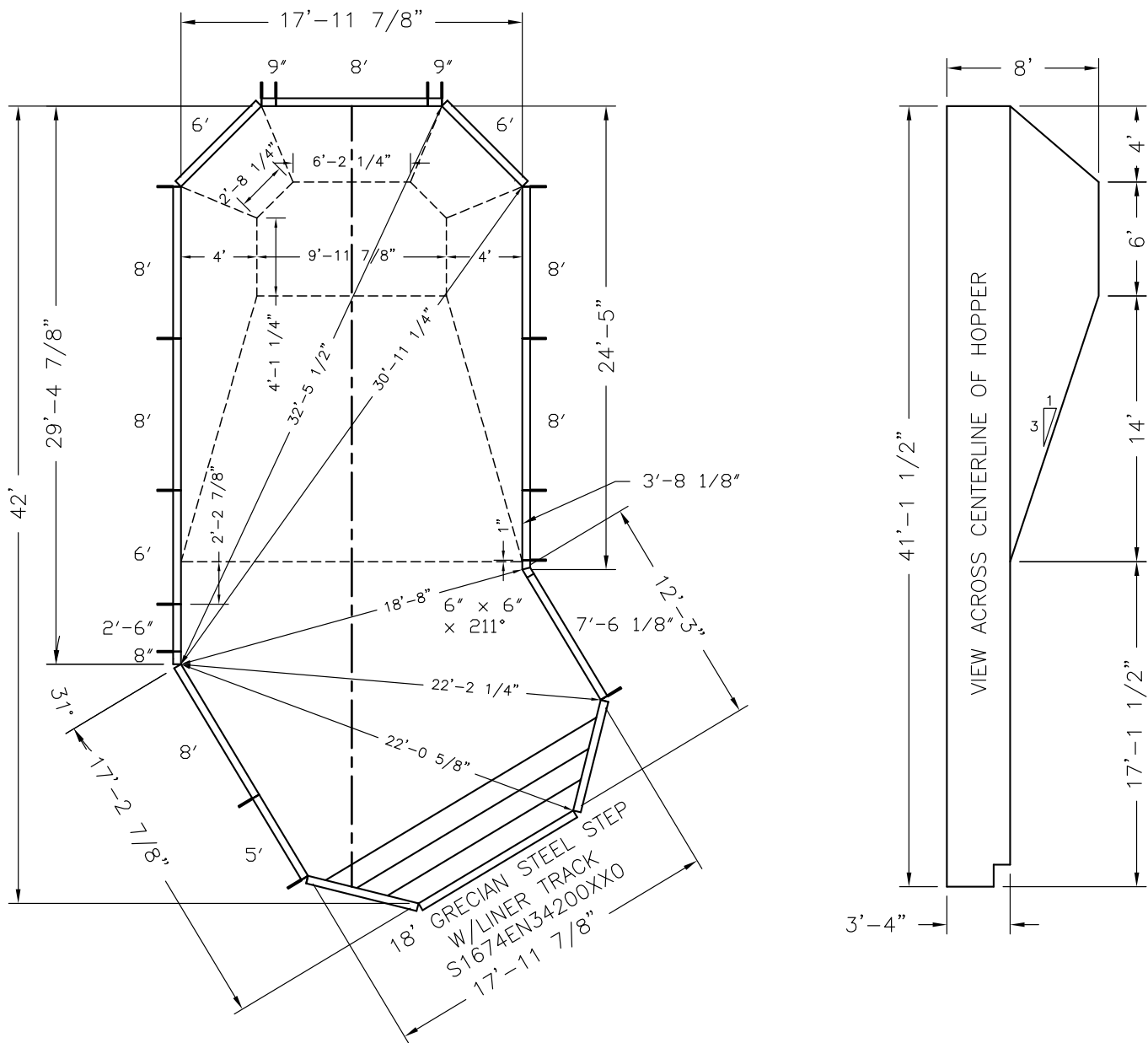
Date: 5/10/2022	Perimeter: 95'-0 3/8"	 cardinalpools.com
Drawn By: JESSE H	Area: 547.5 SQ. FT.	
Scale: 1/8" = 1'-0"	Notes: - - - -	


This information is the confidential property of Cardinal Systems, Inc. Disclosure or duplication without proper written approval is strictly prohibited. Acceptance and use of this drawing constitutes knowledge and acceptance by the user of the terms and conditions set forth in the notice and warning which accompanied this drawing is incorporated herein and made part hereof and is found on Cardinal Systems, Inc's website at www.CardinalSystemsInc.com



Pool Size: 18' X 42' **Approx Gal:** 25,947
Pool Shape: LAZY ELL GRECIAN
Pool Number: 1842LLGR – (STEEL)

250 Route 61 South, Schuylkill Haven, PA 17972 • 570-385-4733 • fax: 570-385-1318 • CustomerService@CardinalSystemsInc.com



Date: 5/10/2022	Perimeter: 109'-4 1/4"	 <small>cardinalpools.com</small>
Drawn By: JESSE H	Area: 713.3 SQ. FT.	
Scale: 1/8" = 1'-0"	Notes: -----	
<small>This information is the confidential property of Cardinal Systems, Inc. Disclosure or duplication without proper written approval is strictly prohibited. Acceptance and use of this drawing constitutes knowledge and acceptance by the user of the terms and conditions set forth in the notice and warning which accompanied this drawing is incorporated herein and made part hereof and is found on Cardinal Systems, Inc's website at www.CardinalSystemsInc.com</small>		




Pool Size: 18' X 42' **Approx Gal:** 25,947
Pool Shape: LAZY ELL GRECIAN
Pool Number: 1842LLGR – (STEEL)

250 Route 61 South, Schuylkill Haven, PA 17972 • 570-385-4733 • fax: 570-385-1318 • CustomerService@CardinalSystemsInc.com

Bill of Materials

PART NO.	QUANTITY	DESCRIPTION
"A" FRAME	16	"A" FRAME ASSEMBLY
CS901GC	6	GRECIAN CORNER ANGLE
CS930WW-31	1	31° CORNER ANGLE
S1674EN34200XX0	1	18' GRECIAN STEEL STEP W/LINER TRACK
5S42080XXX0	1	8" Straight PANEL W/0 Z
5S42090XXX0	2	9" Straight PANEL W/0 Z
5S42260XXX0	1	2'-6" Straight PANEL W/0 Z
5S42381XXX0	1	3'-8 1/8" Straight PANEL W/0 Z
5S42500XXX0	1	5' Straight PANEL W/0 Z
5S42600XXX1	3	6' Straight PANEL W/1 Z
5S42761XXX2	1	7'-6 1/8" Straight PANEL W/2 Z
5S42800XXX2	6	8' Straight PANEL W/2 Z
5T42060211060	1	6" x 6" x 211° ELL

Date: 5/10/2022	Perimeter: 109' - 4 1/4"	 <small>cardinalpools.com</small>
Drawn By: JESSE H	Area: 713.3 SQ. FT.	
Scale: 1/8" = 1'-0"	Notes: - - - -	

This information is the confidential property of Cardinal Systems, Inc. Disclosure or duplication without proper written approval is strictly prohibited. Acceptance and use of this drawing constitutes knowledge and acceptance by the user of the terms and conditions set forth in the notice and warning which accompanied this drawing is incorporated herein and made part hereof and is found on Cardinal Systems, Inc's website at www.CardinalSystemsInc.com

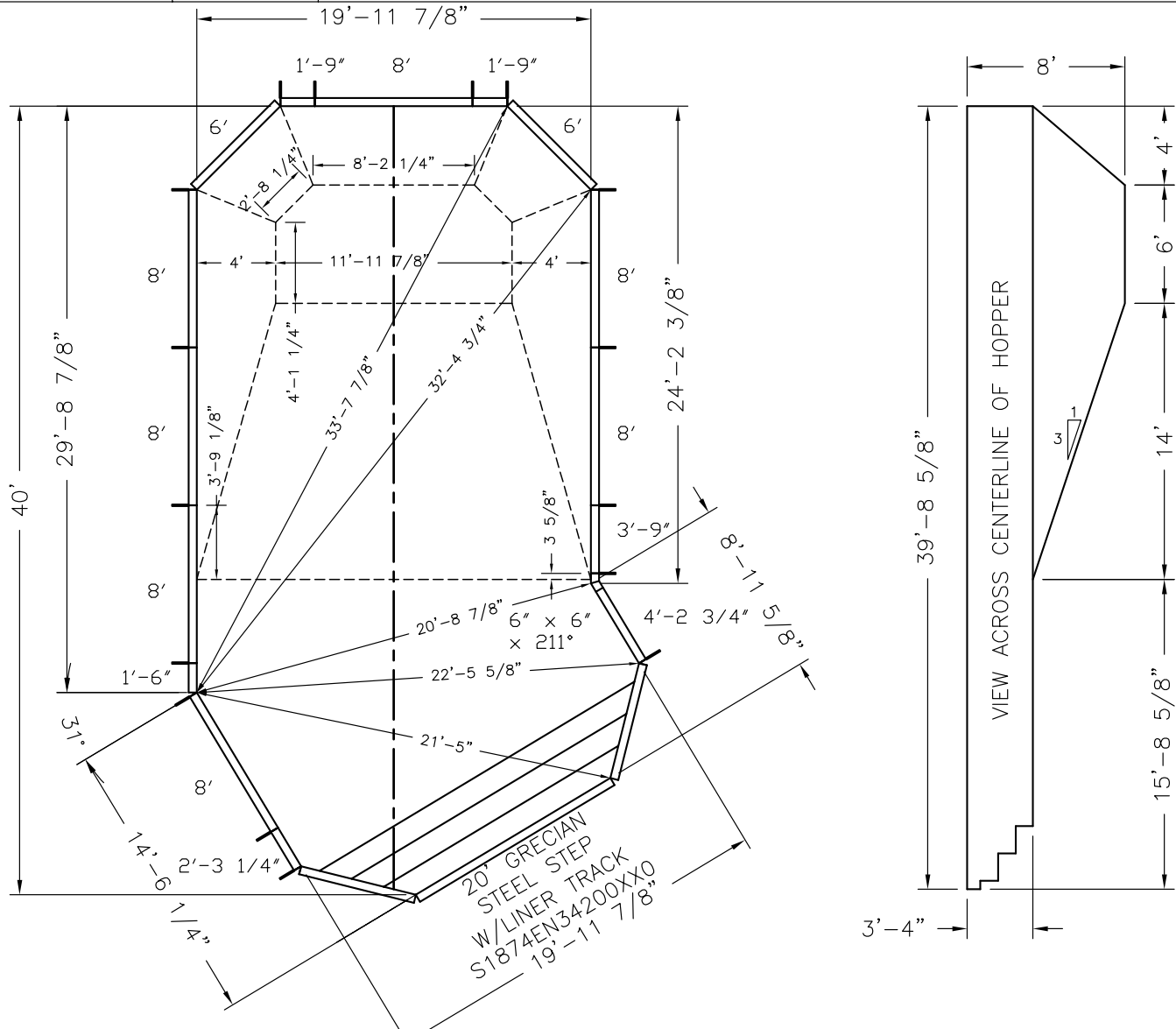


Pool Size: 20' X 40' **Approx Gal:** 26,838
Pool Shape: LAZY ELL
Pool Number: 2040LLGR - (STEEL)

250 Route 61 South, Schuylkill Haven, PA 17972 • 570-385-4733 • fax: 570-385-1318 • CustomerService@CardinalSystemsInc.com

Bill of Materials

PART NO.	QUANTITY	DESCRIPTION
"A" FRAME	16	"A" FRAME ASSEMBLY
CS901GC	6	GRECIAN CORNER ANGLE
CS930W-31	1	31° CORNER ANGLE
S1874EN34200XX0	1	20' GRECIAN STEEL STEP W/LINER TRACK
5S42160XXX0	1	1'-6" Straight PANEL W/0 Z
5S42190XXX0	2	1'-9" Straight PANEL W/0 Z
5S42232XXX0	1	2'-3 1/4" Straight PANEL W/0 Z
5S42390XXX0	1	3'-9" Straight PANEL W/0 Z
5S42426XXX0	1	4'-2 3/4" Straight PANEL W/0 Z
5S42600XXX1	2	6" Straight PANEL W/1 Z
5S42800XXX2	7	8" Straight PANEL W/2 Z
5T42060211060	1	6" x 6" x 211° ELL



Date: 5/10/2022	Perimeter: 107'-5 1/2"	
Drawn By: JESSE H	Area: 737.8 SQ. FT.	
Scale: 1/8" = 1'-0"	Notes: - - - -	
<p>This information is the confidential property of Cardinal Systems, Inc. Disclosure or duplication without proper written approval is strictly prohibited. Acceptance and use of this drawing constitutes knowledge and acceptance by the user of the terms and conditions set forth in the notice and warning which accompanied this drawing is incorporated herein and made part hereof and is found on Cardinal Systems, Inc's website at www.CardinalSystemsInc.com</p>		

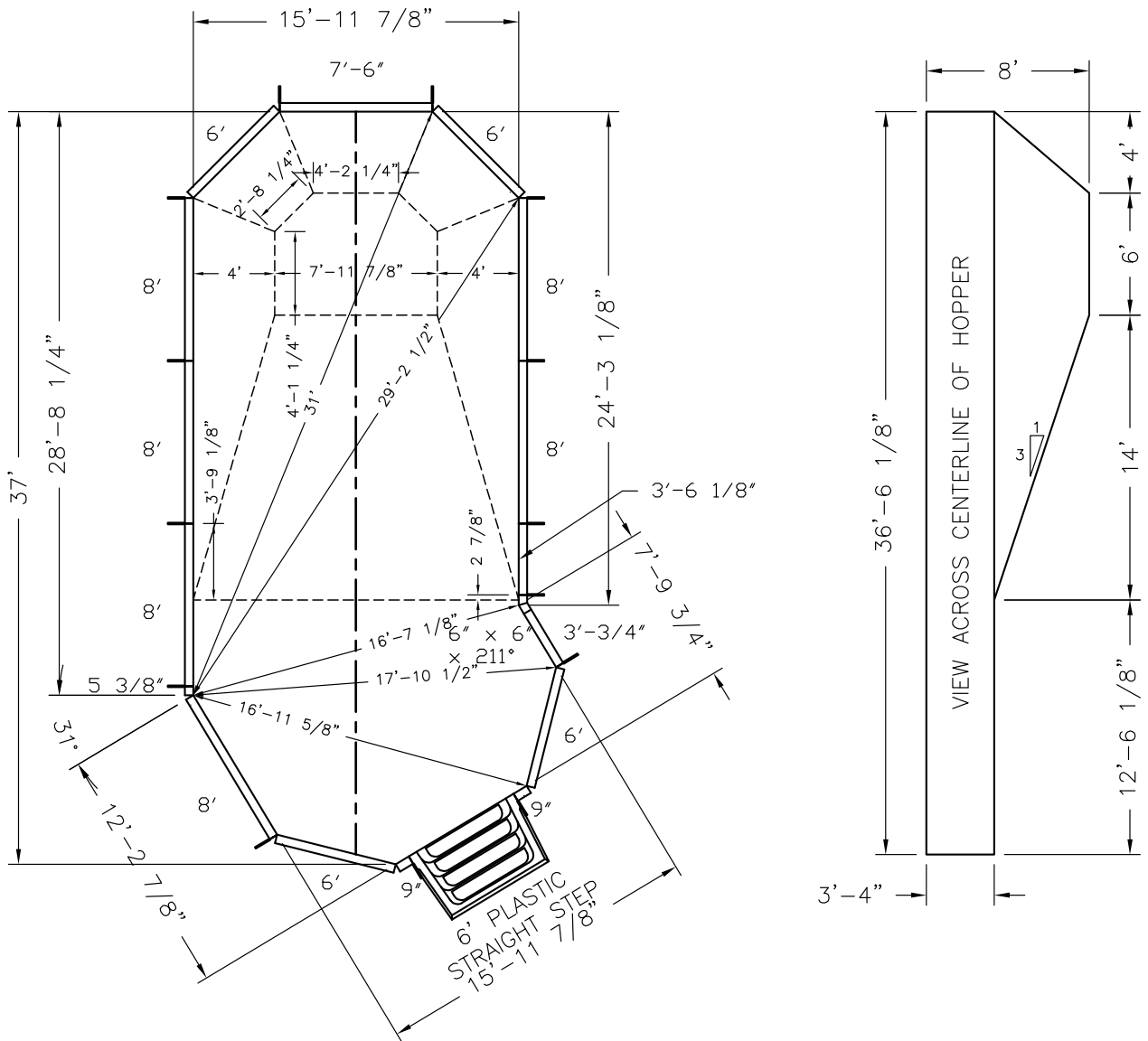



Pool Size: 16' X 37' **Approx Gal:** 19,916
Pool Shape: LAZY ELL GRECIAN
Pool Number: 1637LLGR – (PLASTIC)

250 Route 61 South, Schuylkill Haven, PA 17972 • 570-385-4733 • fax: 570-385-1318 • CustomerService@CardinalSystemsInc.com

Bill of Materials

PART NO.	QUANTITY	DESCRIPTION
"A" FRAME	14	"A" FRAME ASSEMBLY
CS901GC	8	GRECIAN CORNER ANGLE
CS930WW-31	1	31° CORNER ANGLE
5S42053XXX0	1	5 3/8" Straight PANEL w/0 Z
5S42090XXX0	2	9" Straight PANEL w/0 Z
5S42306XXX0	1	3'-3/4" Straight PANEL w/0 Z
5S42361XXX0	1	3'-6 1/8" Straight PANEL w/0 Z
5S42600XXX1	4	6" Straight PANEL w/1 Z
5S42760XXX2	1	7'-6" Straight PANEL w/2 Z
5S42800XXX2	6	8" Straight PANEL w/2 Z
5T42060211060	1	6" x 6" x 211° ELL



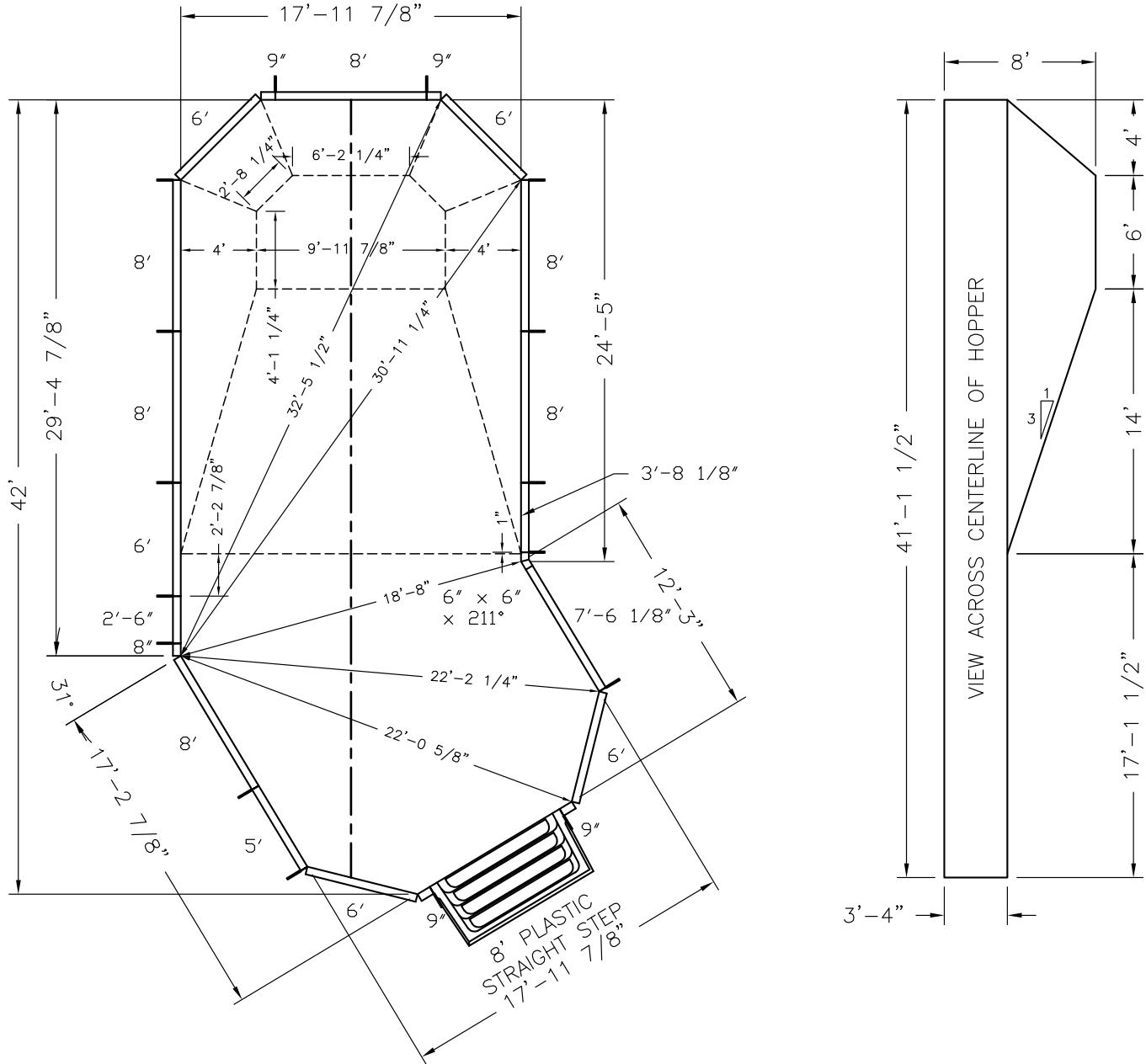
Date: 5/10/2022	Perimeter: 95'-0 3/8"	 cardinalpools.com
Drawn By: JESSE H	Area: 547.5 SQ. FT.	
Scale: 1/8" = 1'-0"	Notes: -----	

This Information is the confidential property of Cardinal Systems, Inc. Disclosure or duplication without proper written approval is strictly prohibited. Acceptance and use of this drawing constitutes knowledge and acceptance by the user of the terms and conditions set forth in the notice and warning which accompanied this drawing is incorporated herein and made part hereof and is found on Cardinal Systems, Inc's website at www.CardinalSystemsInc.com



Pool Size: 18' X 42' **Approx Gal:** 25,947
Pool Shape: LAZY ELL GRECIAN
Pool Number: 1842LLGR – (PLASTIC)

250 Route 61 South, Schuylkill Haven, PA 17972 • 570-385-4733 • fax: 570-385-1318 • CustomerService@CardinalSystemsinc.com



Date: 5/10/2022	Perimeter: 109'-4 1/4"
Drawn By: JESSE H	Area: 713.3 SQ. FT.
Scale: 1/8" = 1'-0"	Notes: -----



This information is the confidential property of Cardinal Systems, Inc. Disclosure or duplication without proper written approval is strictly prohibited. Acceptance and use of this drawing constitutes knowledge and acceptance by the user of the terms and conditions set forth in the notice and warning which accompanied this drawing is incorporated herein and made part hereof and is found on Cardinal Systems, Inc's website at www.CardinalSystemsInc.com



Pool Size: 18' X 42' **Approx Gal:** 25,947
Pool Shape: LAZY ELL GRECIAN
Pool Number: 1842LLGR – (PLASTIC)

250 Route 61 South, Schuylkill Haven, PA 17972 • 570-385-4733 • fax: 570-385-1318 • CustomerService@CardinalSystemsinc.com

Bill of Materials

PART NO.	QUANTITY	DESCRIPTION
"A" FRAME	16	"A" FRAME ASSEMBLY
CS901GC	8	GRECIAN CORNER ANGLE
CS930W-31	1	31° CORNER ANGLE
5S42080XXX0	1	8" Straight PANEL W/0 Z
5S42090XXX0	4	9" Straight PANEL W/0 Z
5S42260XXX0	1	2'-6" Straight PANEL W/0 Z
5S42381XXX0	1	3'-8 1/8" Straight PANEL W/0 Z
5S42500XXX0	1	5' Straight PANEL W/0 Z
5S42600XXX1	5	6' Straight PANEL W/1 Z
5S42761XXX2	1	7'-6 1/8" Straight PANEL W/2 Z
5S42800XXX2	6	8' Straight PANEL W/2 Z
5T42060211060	1	6" x 6" x 211° ELL

Date: 5/10/2022	Perimeter: 109' - 4 1/4"
Drawn By: JESSE H	Area: 713.3 SQ. FT.
Scale: 1/8" = 1'-0"	Notes: - - - -



This information is the confidential property of Cardinal Systems, Inc. Disclosure or duplication without proper written approval is strictly prohibited. Acceptance and use of this drawing constitutes knowledge and acceptance by the user of the terms and conditions set forth in the notice and warning which accompanied this drawing is incorporated herein and made part hereof and is found on Cardinal Systems, Inc's website at www.CardinalSystemsInc.com



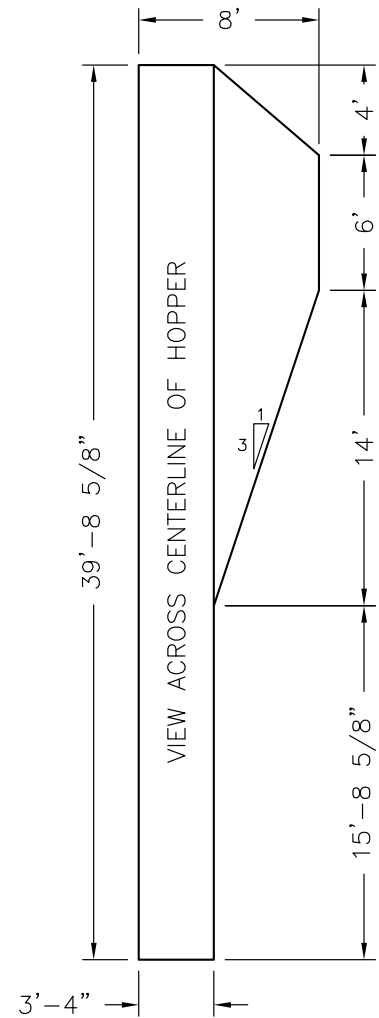
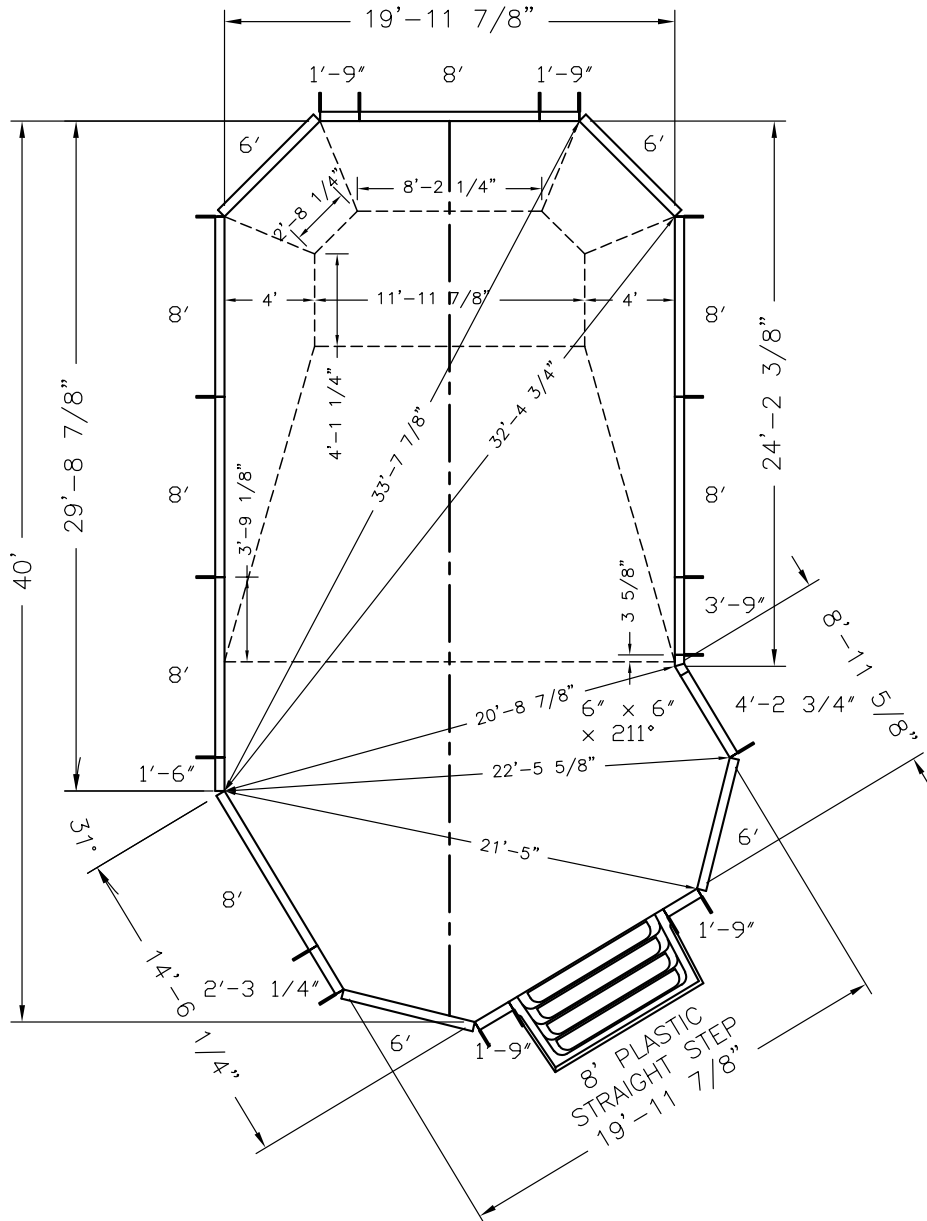
Pool Size: 20' X 40'

Approx Gal: 26,838

Pool Shape: LAZY ELL

Pool Number: 2040LLGR - (PLASTIC)

250 Route 61 South, Schuylkill Haven, PA 17972 • 570-385-4733 • fax: 570-385-1318 • CustomerService@CardinalSystemsinc.com



Date: 5/10/2022

Perimeter: 107'-5 1/2"

Drawn By: JESSE H

Area: 737.8 SQ. FT.

Scale: 1/8" = 1'-0"

Notes: -----



cardinalpools.com

This information is the confidential property of Cardinal Systems, Inc. Disclosure or duplication without proper written approval is strictly prohibited. Acceptance and use of this drawing constitutes knowledge and acceptance by the user of the terms and conditions set forth in the notice and warning which accompanied this drawing is incorporated herein and made part hereof and is found on Cardinal Systems, Inc's website at www.CardinalSystemsInc.com



Pool Size: 20' X 40'

Approx Gal: 26,838


Pool Shape: LAZY ELL

Pool Number: 2040LLGR – (PLASTIC)

250 Route 61 South, Schuylkill Haven, PA 17972 • 570-385-4733 • fax: 570-385-1318 • CustomerService@CardinalSystemsinc.com

Bill of Materials

PART NO.	QUANTITY	DESCRIPTION
"A" FRAME	19	"A" FRAME ASSEMBLY
CS901GC	8	GRECIAN CORNER ANGLE
CS930WW-31	1	31° CORNER ANGLE
5S42160XXX0	1	1'-6" Straight PANEL w/0 Z
5S42190XXX0	4	1'-9" Straight PANEL w/0 Z
5S42232XXX0	1	2'-3 1/4" Straight PANEL w/0 Z
5S42390XXX0	1	3'-9" Straight PANEL w/0 Z
5S42426XXX0	1	4'-2 3/4" Straight PANEL w/0 Z
5S42600XXX1	4	6' Straight PANEL w/1 Z
5S42800XXX2	7	8' Straight PANEL w/2 Z
5T42060211060	1	6" x 6" x 211° ELL

Date: 5/10/2022	Perimeter: 107'-5 1/2"	 <small>cardinalpools.com</small>
Drawn By: JESSE H	Area: 737.8 SQ. FT.	
Scale: 1/8" = 1'-0"	Notes: -----	

This Information is the confidential property of Cardinal Systems, Inc. Disclosure or duplication without proper written approval is strictly prohibited. Acceptance and use of this drawing constitutes knowledge and acceptance by the user of the terms and conditions set forth in the notice and warning which accompanied this drawing is incorporated herein and made part hereof and is found on Cardinal Systems, Inc's website at www.CardinalSystemsInc.com