

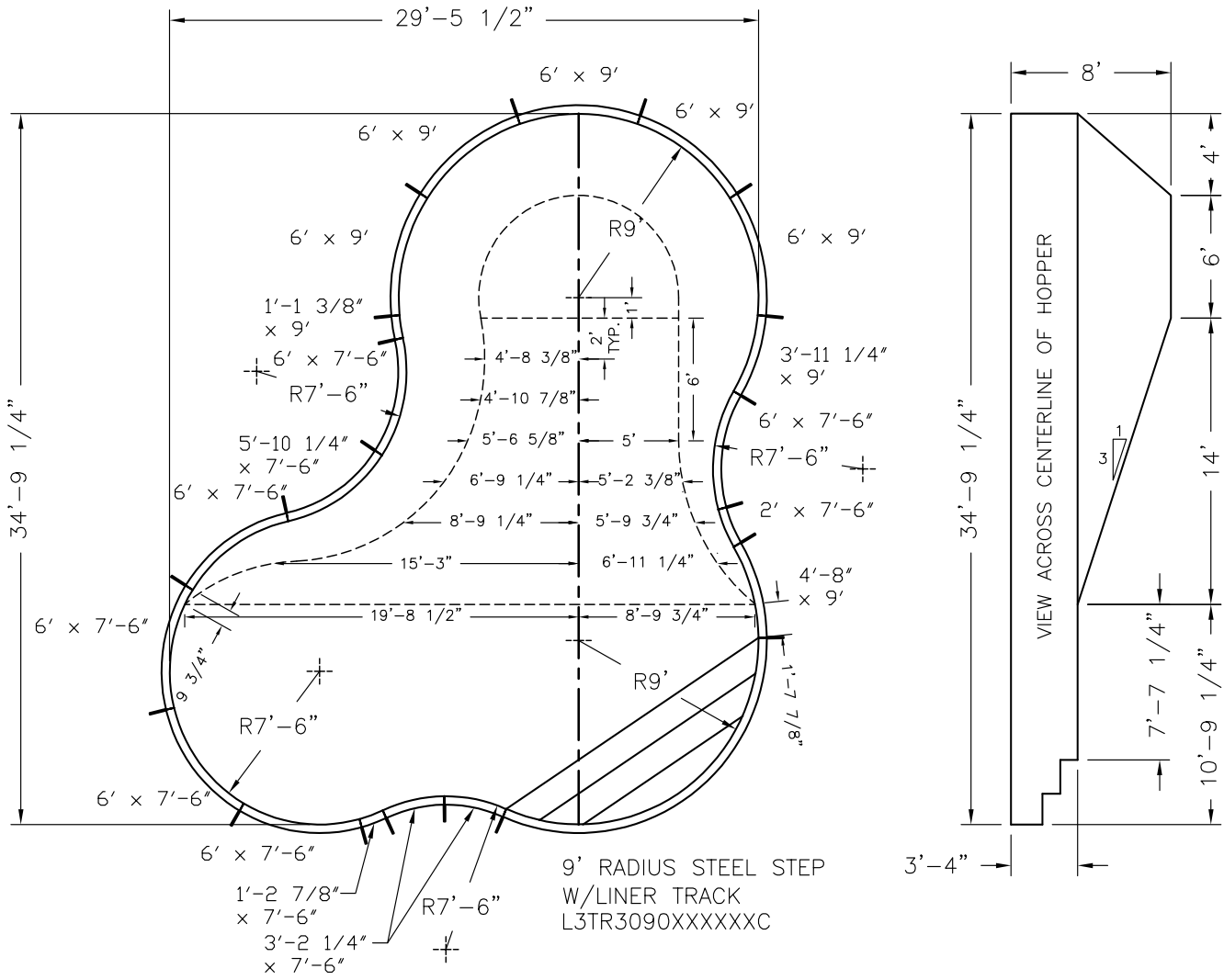


Pool Size: 18' X 29' X 35'
Pool Shape: LAGOON **Approx Gal:** 25,481
Pool Number: 182935LA - (STEEL #1)

250 Route 61 South, Schuylkill Haven, PA 17972 • 570-385-4733 • fax: 570-385-1318 • CustomerService@CardinalSystemsinc.com

Bill of Materials

PART NO.	QUANTITY	DESCRIPTION
"A" FRAME	20	"A" FRAME ASSEMBLY
L3TR3090XXXXXC	1	9' RADIUS STEEL STEP W/LINER TRACK
5C42113XX09000	1	1'-1 3/8" x 9' Radius C PANEL W/O Z
5C42127XX07600	1	1'-2 7/8" x 7'-6" Radius C PANEL W/O Z
5C423E2XX09000	1	3'-11 1/4" x 9' Radius C PANEL W/O Z
5C42480XX09000	1	4'-8" x 9' Radius C PANEL W/O Z
5C42600XX07600	4	6' x 7'-6" Radius C PANEL W/O Z
5C42600XX09000	5	6' x 9' Radius C PANEL W/O Z
5R42200XX07600	1	2' x 7'-6" Radius R PANEL W/O Z
5R42322XX07600	2	3'-2 1/4" x 7'-6" Radius R PANEL W/O Z
5R42512XX07600	1	5'-10 1/4" x 7'-6" Radius R PANEL W/O Z
5R42600XX07600	2	6' x 7'-6" Radius R PANEL W/O Z



Date: 5/10/2022	Perimeter: 109'-2"
Drawn By: JESSE H	Area: 700.5 SQ. FT.
Scale: 1/8" = 1'-0"	Notes: -----

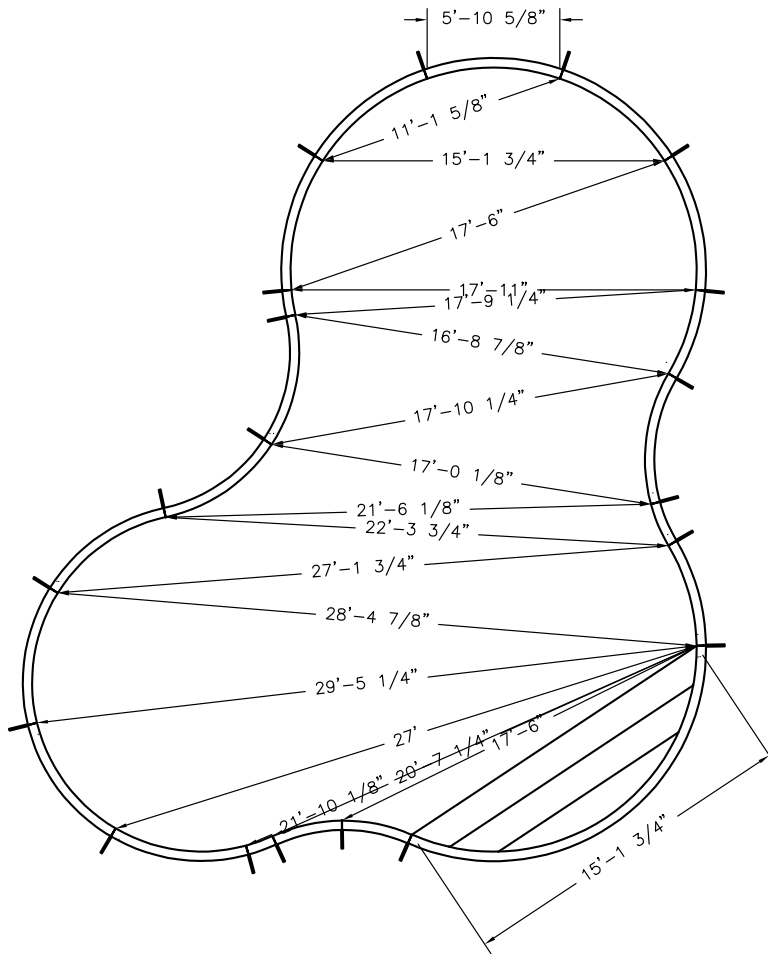



This information is the confidential property of Cardinal Systems, Inc. Disclosure or duplication without proper written approval is strictly prohibited. Acceptance and use of this drawing constitutes knowledge and acceptance by the user of the terms and conditions set forth in the notice and warning which accompanied this drawing is incorporated herein and made part hereof and is found on Cardinal Systems, Inc's website at www.CardinalSystemsInc.com



Pool Size: 18' X 29' X 35'
Pool Shape: LAGOON **Approx Gal:** 25,481
Pool Number: 182935LA – (STEEL #1)

250 Route 61 South, Schuylkill Haven, PA 17972 • 570-385-4733 • fax: 570-385-1318 • CustomerService@CardinalSystemsinc.com



Date: 5/10/2022	Perimeter: 109'-2"	 cardinalpools.com
Drawn By: JESSE H	Area: 700.5 SQ. FT.	
Scale: 1/8" = 1'-0"	Notes: - - - -	

This information is the confidential property of Cardinal Systems, Inc. Disclosure or duplication without proper written approval is strictly prohibited. Acceptance and use of this drawing constitutes knowledge and acceptance by the user of the terms and conditions set forth in the notice and warning which accompanied this drawing is incorporated herein and made part hereof and is found on Cardinal Systems, Inc's website at www.CardinalSystemsinc.com

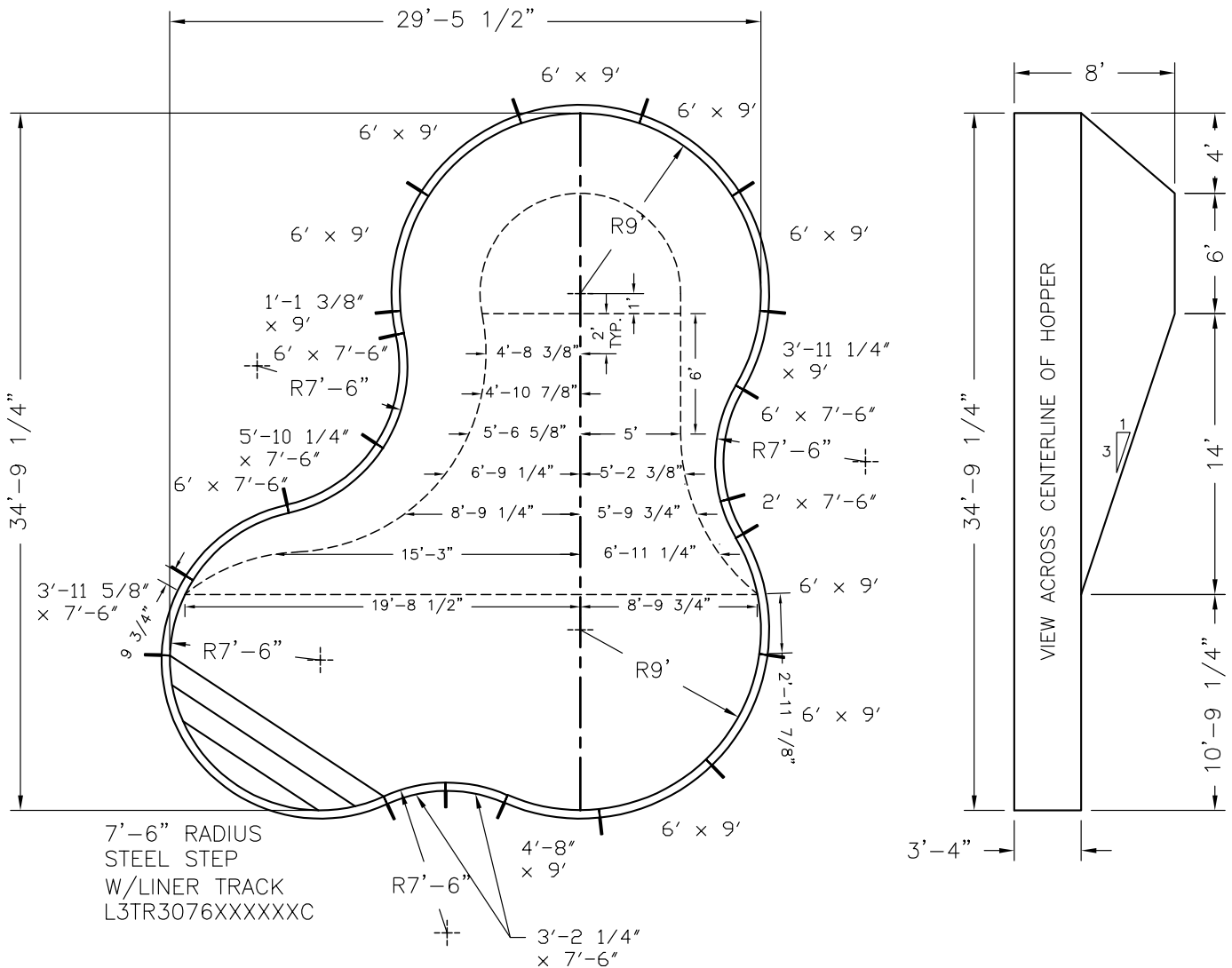


Pool Size: 18' X 29' X 35'
Pool Shape: LAGOON **Approx Gal:** 25,481
Pool Number: 182935LA - (STEEL #2)

250 Route 61 South, Schuylkill Haven, PA 17972 • 570-385-4733 • fax: 570-385-1318 • CustomerService@CardinalSystemsinc.com

Bill of Materials

PART NO.	QUANTITY	DESCRIPTION
"A" FRAME	20	"A" FRAME ASSEMBLY
L3TR3076XXXXXXC	1	7'-6" RADIUS STEEL STEP W/LINER TRACK
5C42113XX09000	1	1'-1 3/8" x 9' Radius C PANEL W/0 Z
5C423E2XX09000	1	3'-11 1/4" x 9' Radius C PANEL W/0 Z
5C423E5XX07600	1	3'-11 5/8" x 7'-6" Radius C PANEL W/0 Z
5C42480XX09000	1	4'-8" x 9' Radius C PANEL W/0 Z
5C42600XX07600	1	6' x 7'-6" Radius C PANEL W/0 Z
5C42600XX09000	8	6' x 9' Radius C PANEL W/0 Z
5R42200XX07600	1	2' x 7'-6" Radius R PANEL W/0 Z
5R42322XX07600	2	3'-2 1/4" x 7'-6" Radius R PANEL W/0 Z
5R42512XX07600	1	5'-10 1/4" x 7'-6" Radius R PANEL W/0 Z
5R42600XX07600	2	6' x 7'-6" Radius R PANEL W/0 Z



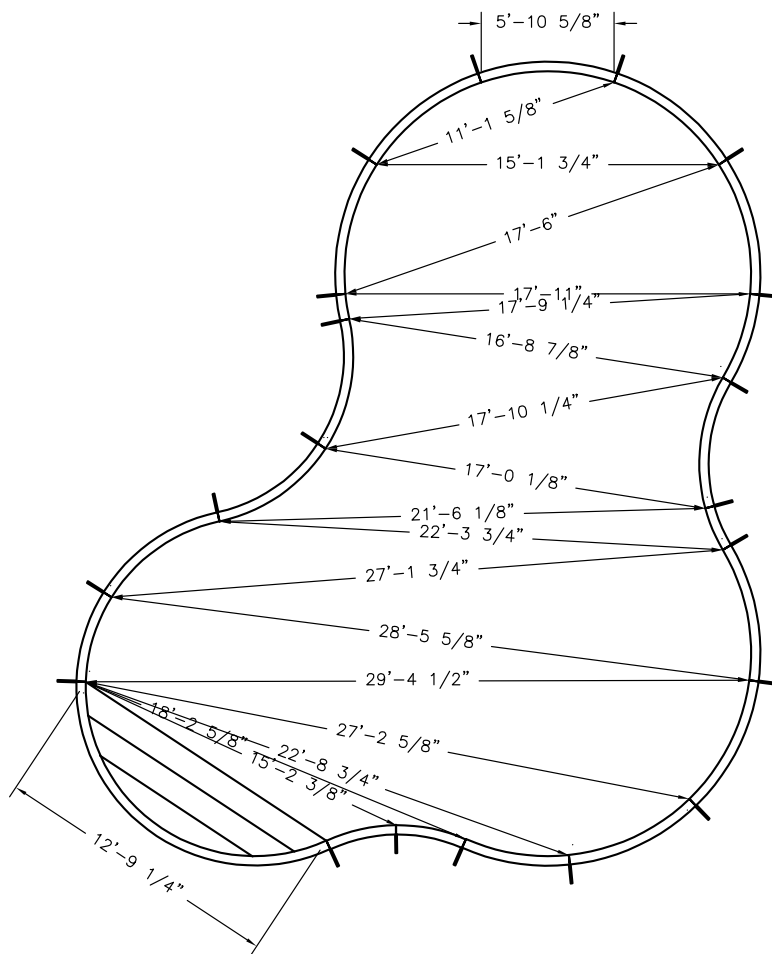
Date: 5/10/2022	Perimeter: 109'-2"	
Drawn By: JESSE H	Area: 700.5 SQ. FT.	
Scale: 1/8" = 1'-0"	Notes: -----	

This information is the confidential property of Cardinal Systems, Inc. Disclosure or duplication without proper written approval is strictly prohibited. Acceptance and use of this drawing constitutes knowledge and acceptance by the user of the terms and conditions set forth in the notice and warning which accompanied this drawing is incorporated herein and made part hereof and is found on Cardinal Systems, Inc.'s website at www.CardinalSystemsInc.com



Pool Size: 18' X 29' X 35'
Pool Shape: LAGOON **Approx Gal:** 25,481
Pool Number: 182935LA – (STEEL #2)

250 Route 61 South, Schuylkill Haven, PA 17972 • 570-385-4733 • fax: 570-385-1318 • CustomerService@CardinalSystemsinc.com



Date: 5/10/2022

Perimeter: 109'-2"

Drawn By: JESSE H

Area: 700.5 SQ. FT.

Scale: 1/8" = 1'-0"

Notes: - - - -



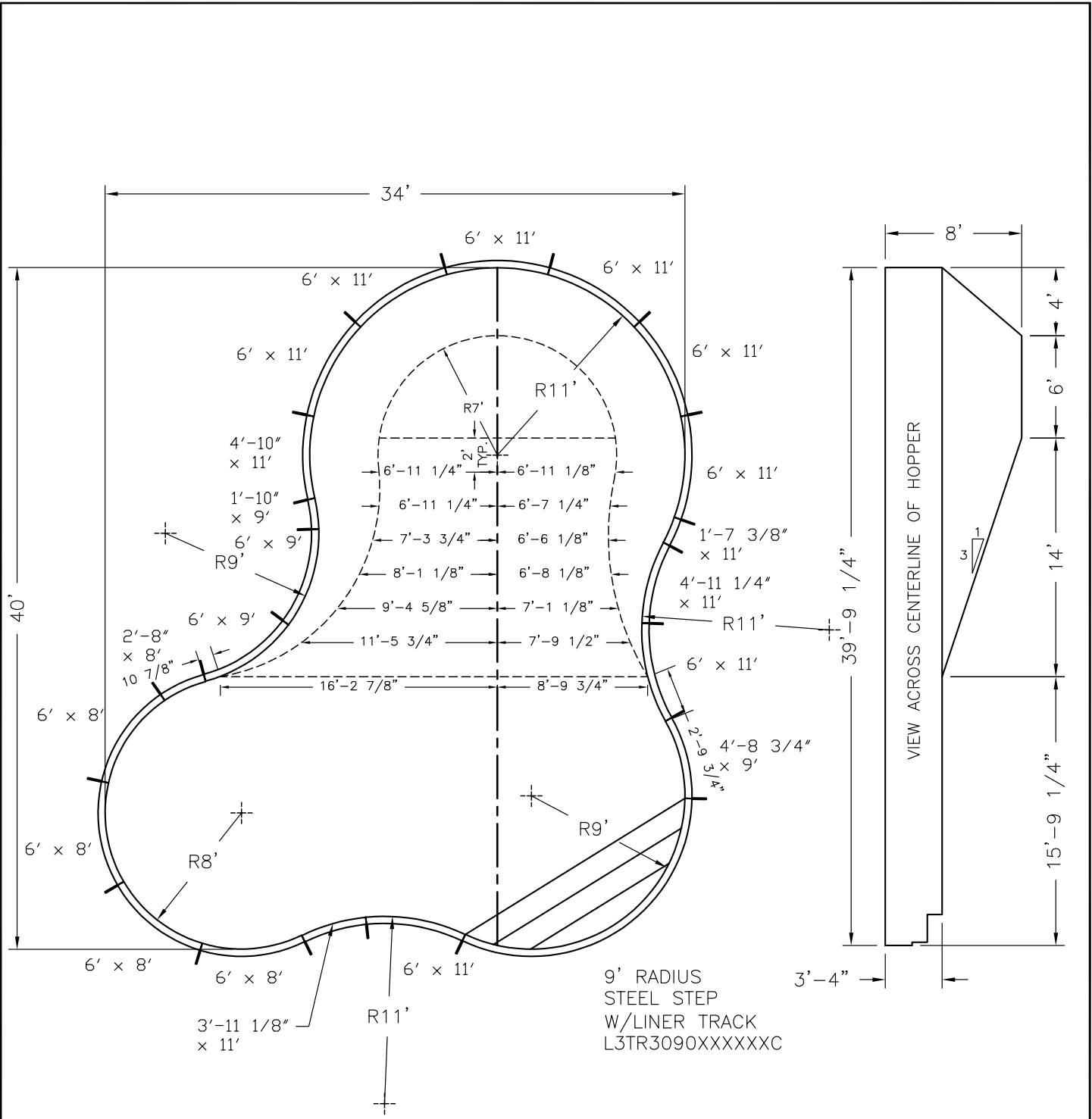
cardinalpools.com

This information is the confidential property of Cardinal Systems, Inc. Disclosure or duplication without proper written approval is strictly prohibited. Acceptance and use of this drawing constitutes knowledge and acceptance by the user of the terms and conditions set forth in the notice and warning which accompanied this drawing is incorporated herein and made part hereof and is found on Cardinal Systems, Inc's website at www.CardinalSystemsInc.com



Pool Size: 22' X 40' X 34'
Pool Shape: LAGOON **Approx Gal:** 34,186
Pool Number: 223440LA - (STEEL #1)

250 Route 61 South, Schuylkill Haven, PA 17972 • 570-385-4733 • fax: 570-385-1318 • CustomerService@CardinalSystemsinc.com



Date: 5/10/2022	Perimeter: 126'-6 1/4"
Drawn By: JESSE H	Area: 939.8 SQ. FT.
Scale: 1/8" = 1'-0"	Notes: -----



This information is the confidential property of Cardinal Systems, Inc. Disclosure or duplication without proper written approval is strictly prohibited. Acceptance and use of this drawing constitutes knowledge and acceptance by the user of the terms and conditions set forth in the notice and warning which accompanied this drawing is incorporated herein and made part hereof and is found on Cardinal Systems, Inc's website at www.CardinalSystemsInc.com




Pool Size: 22' X 40' X 34'
Pool Shape: LAGOON **Approx Gal:** 34,186
Pool Number: 223440LA – (STEEL #1)

250 Route 61 South, Schuylkill Haven, PA 17972 • 570-385-4733 • fax: 570-385-1318 • CustomerService@CardinalSystemsInc.com

Bill of Materials

PART NO.	QUANTITY	DESCRIPTION
"A" FRAME	22	"A" FRAME ASSEMBLY
L3TR3090XXXXXXC	1	9' RADIUS STEEL STEP W/LINER TRACK
5C42173XX11000	1	1'-7 3/8" x 11' Radius C PANEL W/O Z
5C42280XX08000	1	2'-8" x 8' Radius C PANEL W/O Z
5C42486XX09000	1	4'-8 3/4" x 9' Radius C PANEL W/O Z
5C424T0XX11000	1	4'-10" x 11' Radius C PANEL W/O Z
5C42600XX08000	4	6' x 8' Radius C PANEL W/O Z
5C42600XX11000	6	6' x 11' Radius C PANEL W/O Z
5R421T0XX09000	1	1'-10" x 9' Radius R PANEL W/O Z
5R423E1XX11000	1	3'-11 1/8" x 11' Radius R PANEL W/O Z
5R424E2XX11000	1	4'-11 1/4" x 11' Radius R PANEL W/O Z
5R42600XX09000	2	6' x 9' Radius R PANEL W/O Z
5R42600XX11000	2	6' x 11' Radius R PANEL W/O Z

Date: 5/10/2022	Perimeter: 126'-6 1/4"	 cardinalpools.com
Drawn By: JESSE H	Area: 939.8 SQ. FT.	
Scale: 1/8" = 1'-0"	Notes: - - - -	

This information is the confidential property of Cardinal Systems, Inc. Disclosure or duplication without proper written approval is strictly prohibited. Acceptance and use of this drawing constitutes knowledge and acceptance by the user of the terms and conditions set forth in the notice and warning which accompanied this drawing is incorporated herein and made part hereof and is found on Cardinal Systems, Inc's website at www.CardinalSystemsInc.com



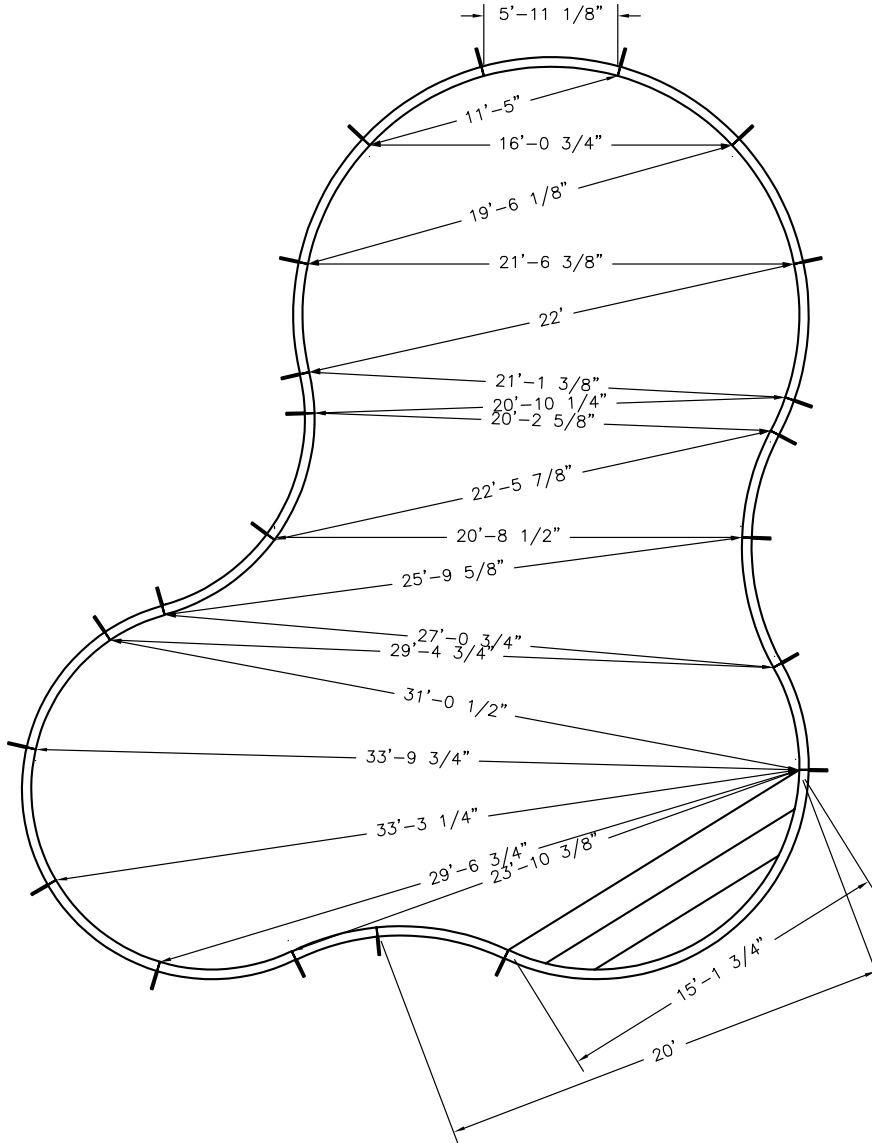
Pool Size: 22' X 40' X 34'

Pool Shape: LAGOON

Approx Gal: 34,186

Pool Number: 223440LA – (STEEL #1)

250 Route 61 South, Schuylkill Haven, PA 17972 • 570-385-4733 • fax: 570-385-1318 • CustomerService@CardinalSystemsinc.com



Date: 5/10/2022

Perimeter: 126'-6 1/4"

Drawn By: JESSE H

Area: 939.8 SQ. FT.

Scale: 1/8" = 1'-0"

Notes: - - - -



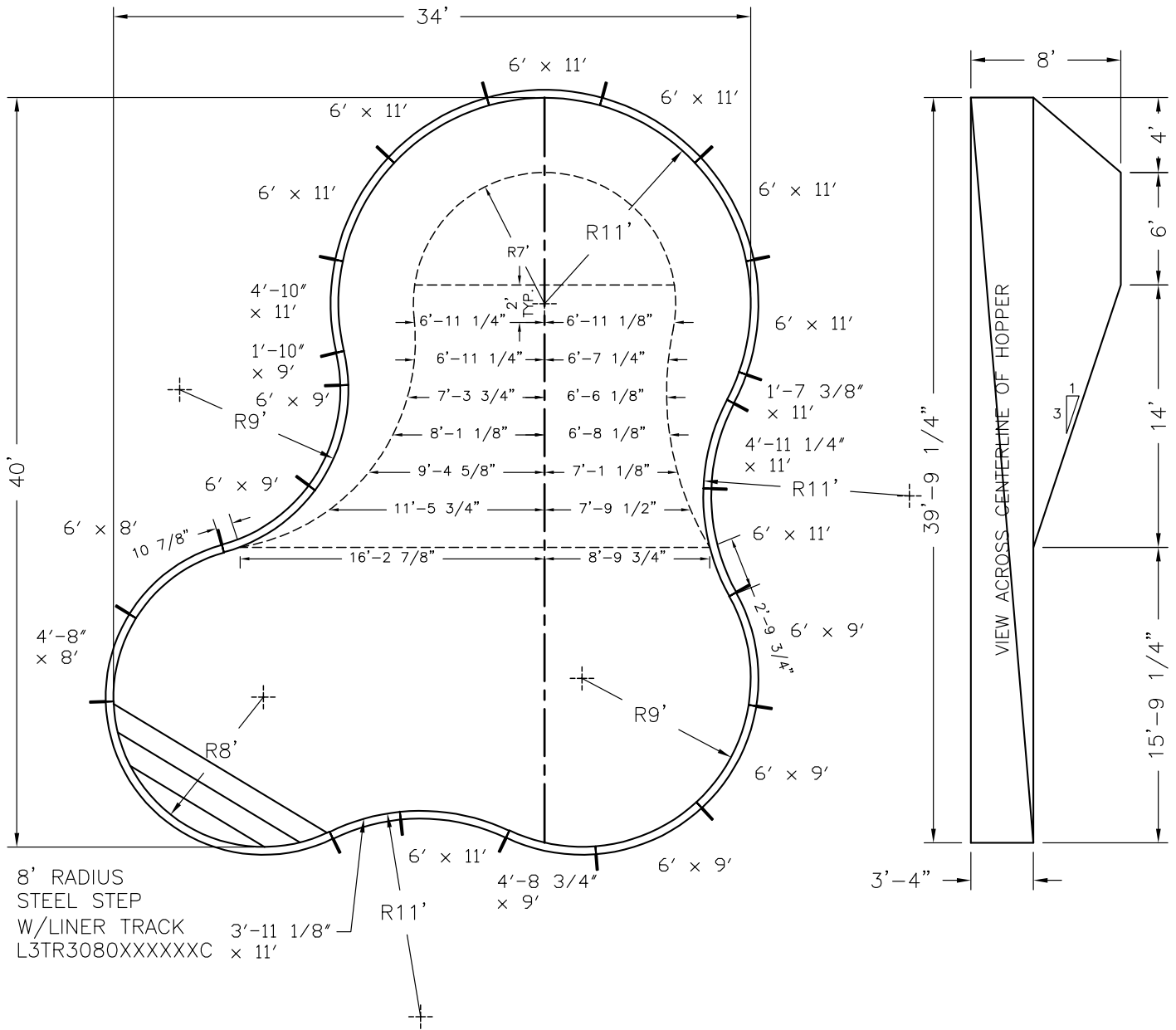
cardinalpools.com

This information is the confidential property of Cardinal Systems, Inc. Disclosure or duplication without proper written approval is strictly prohibited. Acceptance and use of this drawing constitutes knowledge and acceptance by the user of the terms and conditions set forth in the notice and warning which accompanied this drawing is incorporated herein and made part hereof and is found on Cardinal Systems, Inc.'s website at www.CardinalSystemsInc.com



Pool Size: 22' X 40' X 34'
Pool Shape: LAGOON **Approx Gal:** 34,146
Pool Number: 223440LA - (STEEL #2)

250 Route 61 South, Schuylkill Haven, PA 17972 • 570-385-4733 • fax: 570-385-1318 • CustomerService@CardinalSystemsinc.com



Date: 5/10/2022	Perimeter: 126'-6 1/4"	
Drawn By: JESSE H	Area: 939.8 SQ. FT.	
Scale: 1/8" = 1'-0"	Notes: -----	

This information is the confidential property of Cardinal Systems, Inc. Disclosure or duplication without proper written approval is strictly prohibited. Acceptance and use of this drawing constitutes knowledge and acceptance by the user of the terms and conditions set forth in the notice and warning which accompanied this drawing is incorporated herein and made part hereof and is found on Cardinal Systems, Inc's website at www.CardinalSystemsInc.com




Pool Size: 22' X 40' X 34'
Pool Shape: LAGOON **Approx Gal:** 34,146
Pool Number: 223440LA – (STEEL #2)

250 Route 61 South, Schuylkill Haven, PA 17972 • 570-385-4733 • fax: 570-385-1318 • CustomerService@CardinalSystemsinc.com

Bill of Materials

PART NO.	QUANTITY	DESCRIPTION
"A" FRAME	22	"A" FRAME ASSEMBLY
L3TR3080XXXXXC	1	8' RADIUS STEEL STEP W/LINER TRACK
5C42173XX11000	1	1'-7 3/8" x 11' Radius C PANEL W/O Z
5C42480XX08000	1	4'-8" x 8' Radius C PANEL W/O Z
5C42486XX09000	1	4'-8 3/4" x 9' Radius C PANEL W/O Z
5C424T0XX11000	1	4'-10" x 11' Radius C PANEL W/O Z
5C42600XX08000	1	6' x 8' Radius C PANEL W/O Z
5C42600XX09000	3	6' x 9' Radius C PANEL W/O Z
5C42600XX11000	6	6' x 11' Radius C PANEL W/O Z
5R421T0XX09000	1	1'-10" x 9' Radius R PANEL W/O Z
5R423E1XX11000	1	3'-11 1/8" x 11' Radius R PANEL W/O Z
5R424E2XX11000	1	4'-11 1/4" x 11' Radius R PANEL W/O Z
5R42600XX09000	2	6' x 9' Radius R PANEL W/O Z
5R42600XX11000	2	6' x 11' Radius R PANEL W/O Z

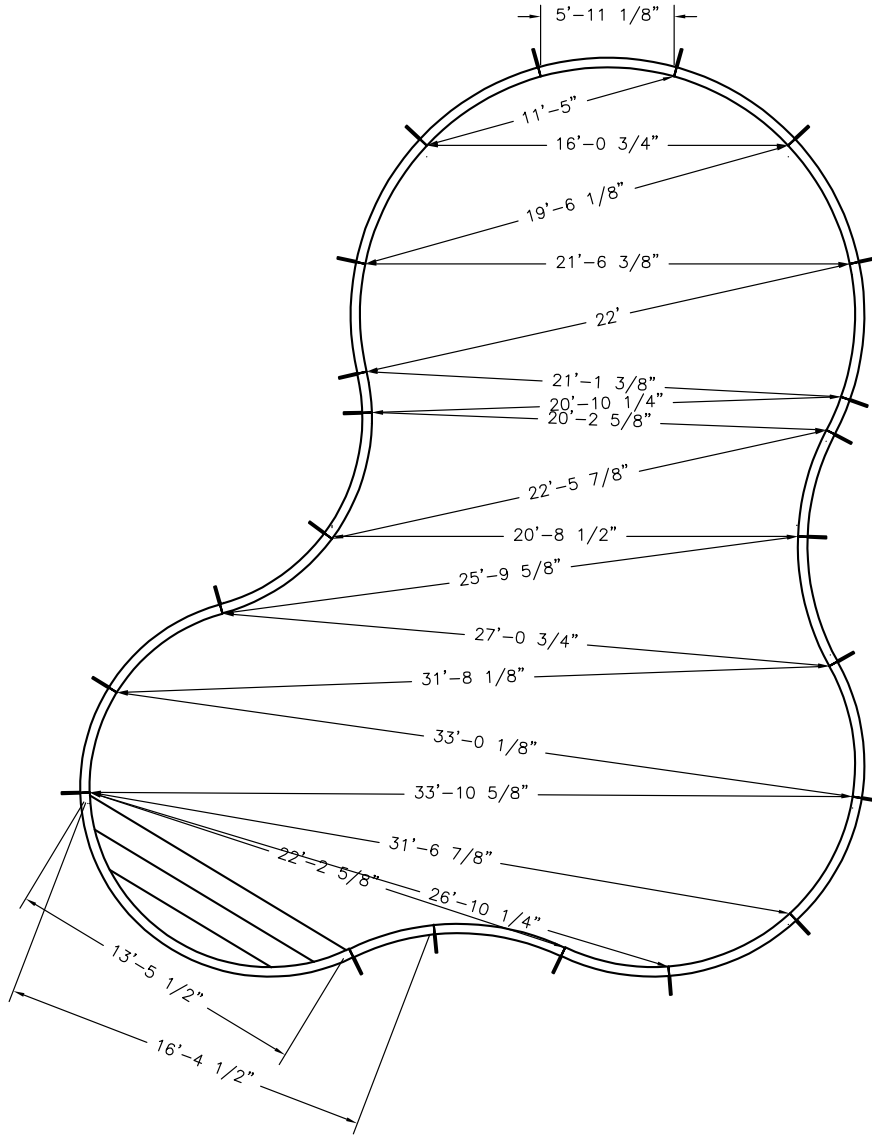
Date: 5/10/2022	Perimeter: 126'-6 1/4"	 cardinalpools.com
Drawn By: JESSE H	Area: 939.8 SQ. FT.	
Scale: 1/8" = 1'-0"	Notes: - - - -	


This information is the confidential property of Cardinal Systems, Inc. Disclosure or duplication without proper written approval is strictly prohibited. Acceptance and use of this drawing constitutes knowledge and acceptance by the user of the terms and conditions set forth in the notice and warning which accompanied this drawing is incorporated herein and made part hereof and is found on Cardinal Systems, Inc's website at www.CardinalSystemsInc.com



Pool Size: 22' X 40' X 34'
Pool Shape: LAGOON **Approx Gal:** 34,146
Pool Number: 223440LA - (STEEL #2)

250 Route 61 South, Schuylkill Haven, PA 17972 • 570-385-4733 • fax: 570-385-1318 • CustomerService@CardinalSystemsinc.com



Date: 5/10/2022	Perimeter: 126'-6 1/4"	 cardinalpools.com
Drawn By: JESSE H	Area: 939.8 SQ. FT.	
Scale: 1/8" = 1'-0"	Notes: - - - -	

This information is the confidential property of Cardinal Systems, Inc. Disclosure or duplication without proper written approval is strictly prohibited. Acceptance and use of this drawing constitutes knowledge and acceptance by the user of the terms and conditions set forth in the notice and warning which accompanied this drawing is incorporated herein and made part hereof and is found on Cardinal Systems, Inc's website at www.CardinalSystemsInc.com

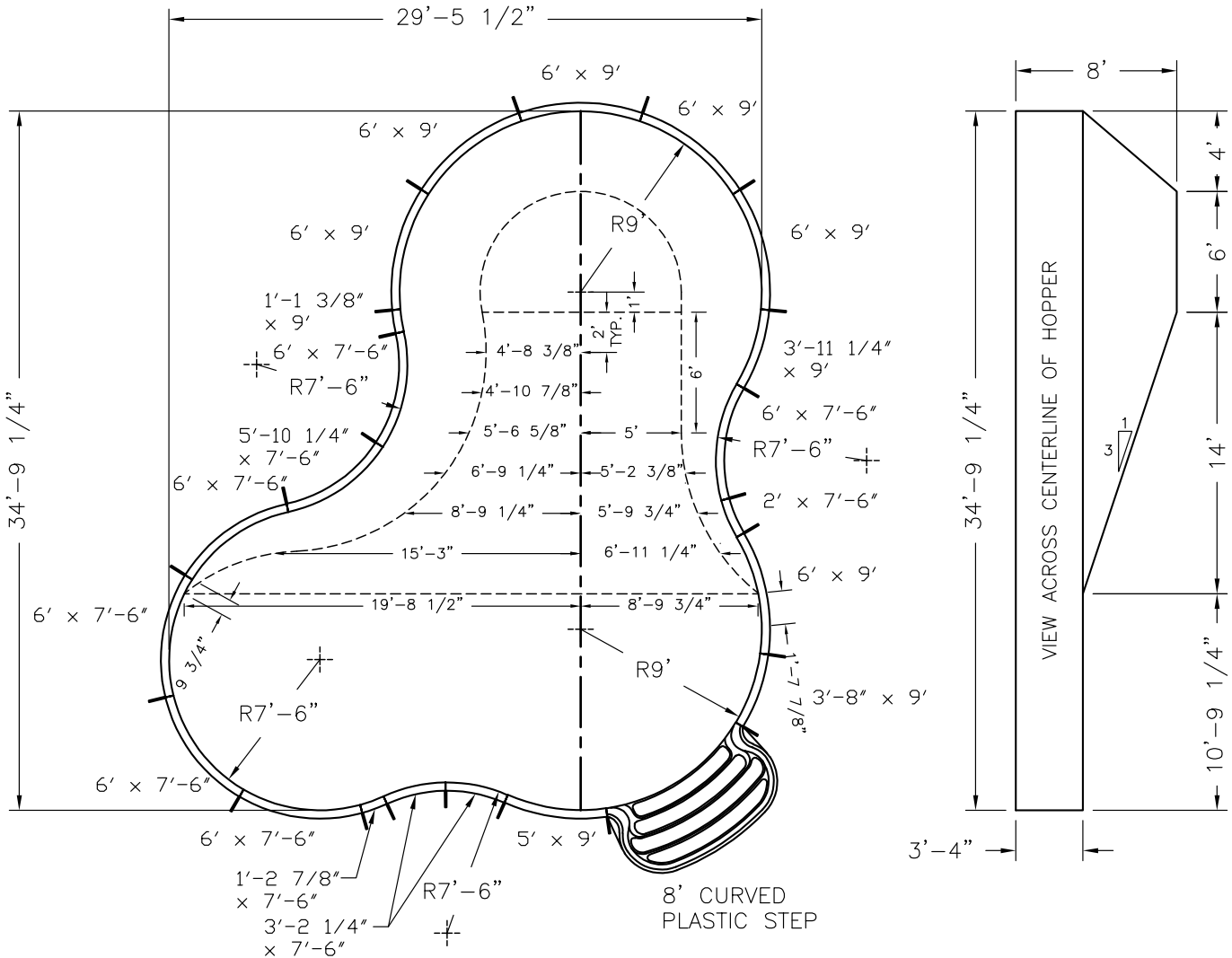



Pool Size: 18' X 29' X 35'
Pool Shape: LAGOON **Approx Gal:** 25,481
Pool Number: 182935LA – (PLASTIC)

250 Route 61 South, Schuylkill Haven, PA 17972 • 570-385-4733 • fax: 570-385-1318 • CustomerService@CardinalSystemsinc.com

Bill of Materials

PART NO.	QUANTITY	DESCRIPTION
"A" FRAME	22	"A" FRAME ASSEMBLY
5C42113XX09000	1	1'-1 3/8" x 9' Radius C PANEL W/O Z
5C42127XX07600	1	1'-2 7/8" x 7'-6" Radius C PANEL W/O Z
5C42380XX09000	1	3'-8" x 9' Radius C PANEL W/O Z
5C423E2XX09000	1	3'-11 1/4" x 9' Radius C PANEL W/O Z
5C42500XX09000	1	5' x 9' Radius C PANEL W/O Z
5C42600XX07600	4	6' x 7'-6" Radius C PANEL W/O Z
5C42600XX09000	6	6' x 9' Radius C PANEL W/O Z
5R42200XX07600	1	2' x 7'-6" Radius R PANEL W/O Z
5R42322XX07600	2	3'-2 1/4" x 7'-6" Radius R PANEL W/O Z
5R425T2XX07600	1	5'-10 1/4" x 7'-6" Radius R PANEL W/O Z
5R42600XX07600	2	6' x 7'-6" Radius R PANEL W/O Z

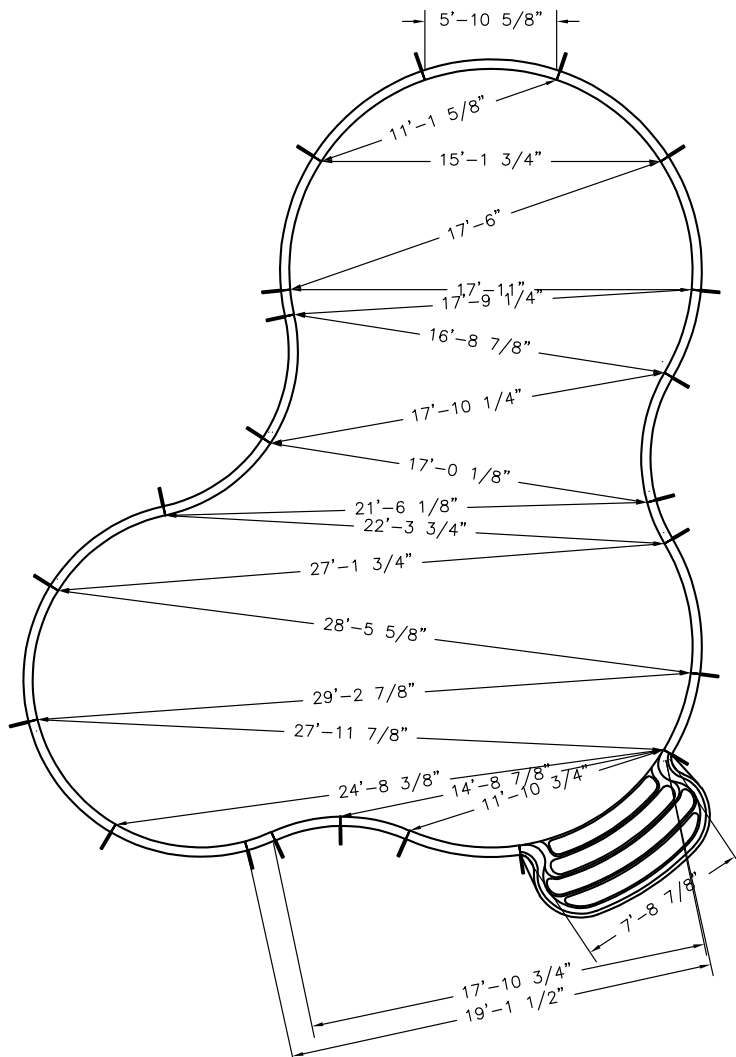



Date: 5/10/2022	Perimeter: 109'-2"	 <small>cardinalpools.com</small>
Drawn By: JESSE H	Area: 700.5 SQ. FT.	
Scale: 1/8" = 1'-0"	Notes: -----	
<small>This information is the confidential property of Cardinal Systems, Inc. Disclosure or duplication without proper written approval is strictly prohibited. Acceptance and use of this drawing constitutes knowledge and acceptance by the user of the terms and conditions set forth in the notice and warning which accompanied this drawing is incorporated herein and made part hereof and is found on Cardinal Systems, Inc's website at www.CardinalSystemsInc.com</small>		



Pool Size: 18' X 29' X 35'
Pool Shape: LAGOON **Approx Gal:** 25,481
Pool Number: 182935LA – (PLASTIC)

250 Route 61 South, Schuylkill Haven, PA 17972 • 570-385-4733 • fax: 570-385-1318 • CustomerService@CardinalSystemsinc.com



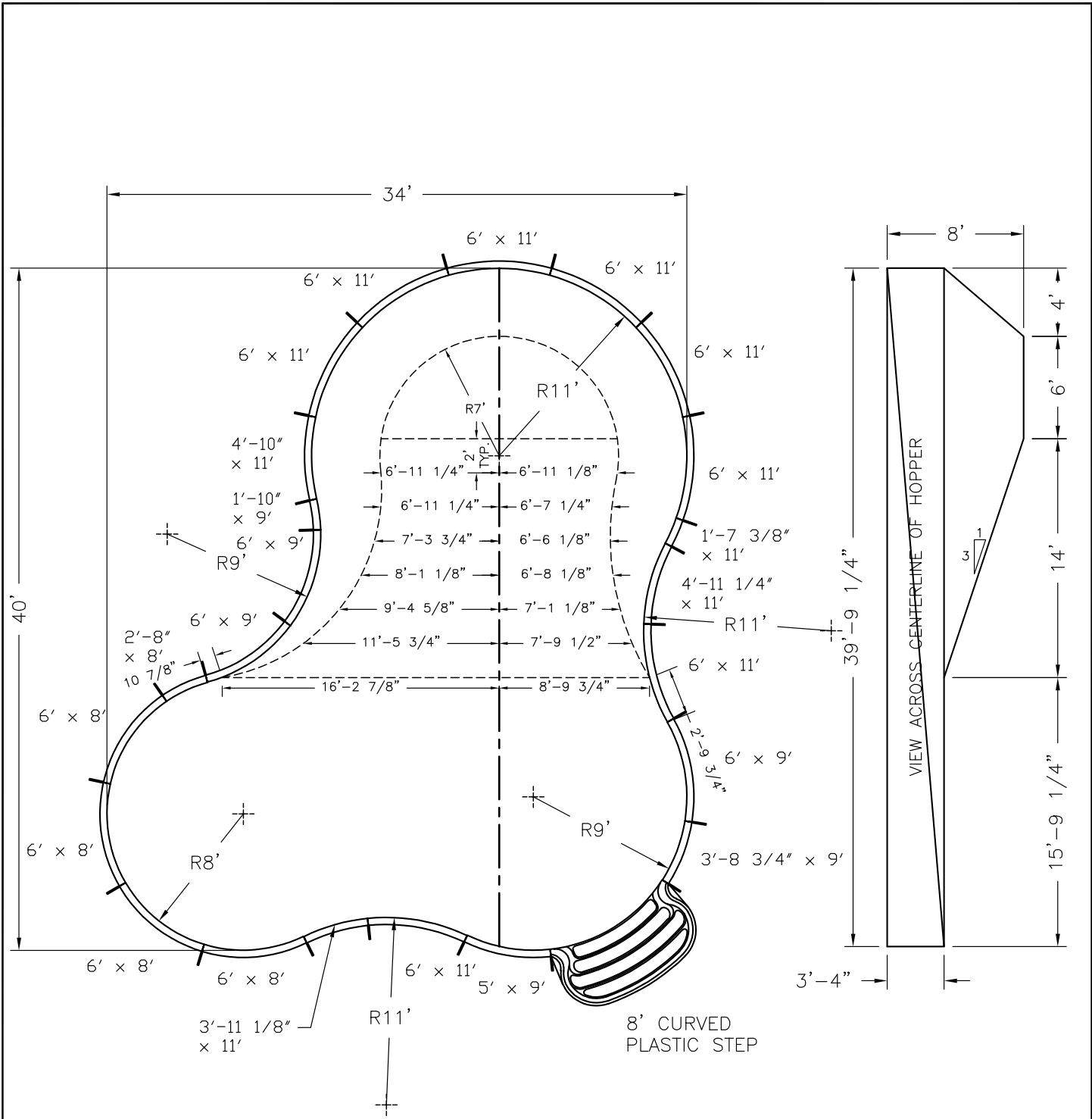
Date: 5/10/2022	Perimeter: 109'-2"	 cardinalpools.com
Drawn By: JESSE H	Area: 700.5 SQ. FT.	
Scale: 1/8" = 1'-0"	Notes: -----	


This information is the confidential property of Cardinal Systems, Inc. Disclosure or duplication without proper written approval is strictly prohibited. Acceptance and use of this drawing constitutes knowledge and acceptance by the user of the terms and conditions set forth in the notice and warning which accompanied this drawing is incorporated herein and made part hereof and is found on Cardinal Systems, Inc's website at www.CardinalSystemsInc.com



Pool Size: 22' X 40' X 34'
Pool Shape: LAGOON **Approx Gal:** 34,186
Pool Number: 223440LA - (PLASTIC)

250 Route 61 South, Schuylkill Haven, PA 17972 • 570-385-4733 • fax: 570-385-1318 • CustomerService@CardinalSystemsInc.com



Date: 5/10/2022	Perimeter: 126'-6 1/4"	 cardinalpools.com
Drawn By: JESSE H	Area: 939.8 SQ. FT.	
Scale: 1/8" = 1'-0"	Notes: - - - -	
<p>This information is the confidential property of Cardinal Systems, Inc. Disclosure or duplication without proper written approval is strictly prohibited. Acceptance and use of this drawing constitutes knowledge and acceptance by the user of the terms and conditions set forth in the notice and warning which accompanied this drawing is incorporated herein and made part hereof and is found on Cardinal Systems, Inc.'s website at www.CardinalSystemsInc.com</p>		




Pool Size: 22' X 40' X 34'
Pool Shape: LAGOON **Approx Gal:** 34,186
Pool Number: 223440LA – (PLASTIC)

250 Route 61 South, Schuylkill Haven, PA 17972 • 570-385-4733 • fax: 570-385-1318 • CustomerService@CardinalSystemsInc.com

Bill of Materials

PART NO.	QUANTITY	DESCRIPTION
"A" FRAME	24	"A" FRAME ASSEMBLY
5C42173XX11000	1	1'-7 3/8" x 11' Radius C PANEL W/O Z
5C42280XX08000	1	2'-8" x 8' Radius C PANEL W/O Z
5C42386XX09000	1	3'-8 3/4" x 9' Radius C PANEL W/O Z
5C424T0XX11000	1	4'-10" x 11' Radius C PANEL W/O Z
5C42500XX09000	1	5' x 9' Radius C PANEL W/O Z
5C42600XX08000	4	6' x 8' Radius C PANEL W/O Z
5C42600XX09000	1	6' x 9' Radius C PANEL W/O Z
5C42600XX11000	6	6' x 11' Radius C PANEL W/O Z
5R421T0XX09000	1	1'-10" x 9' Radius R PANEL W/O Z
5R423E1XX11000	1	3'-11 1/8" x 11' Radius R PANEL W/O Z
5R424E2XX11000	1	4'-11 1/4" x 11' Radius R PANEL W/O Z
5R42600XX09000	2	6' x 9' Radius R PANEL W/O Z
5R42600XX11000	2	6' x 11' Radius R PANEL W/O Z

Date: 5/10/2022	Perimeter: 126'-6 1/4"	 cardinalpools.com
Drawn By: JESSE H	Area: 939.8 SQ. FT.	
Scale: 1/8" = 1'-0"	Notes: - - - -	

This Information Is the confidential property of Cardinal Systems, Inc. Disclosure or duplication without proper written approval Is strictly prohibited. Acceptance and use of this drawing constitutes knowledge and acceptance by the user of the terms and conditions set forth In the notice and warning which accompanied this drawing Is Incorporated herein and made part hereof and Is found on Cardinal Systems, Inc's website at www.CardinalSystemsInc.com



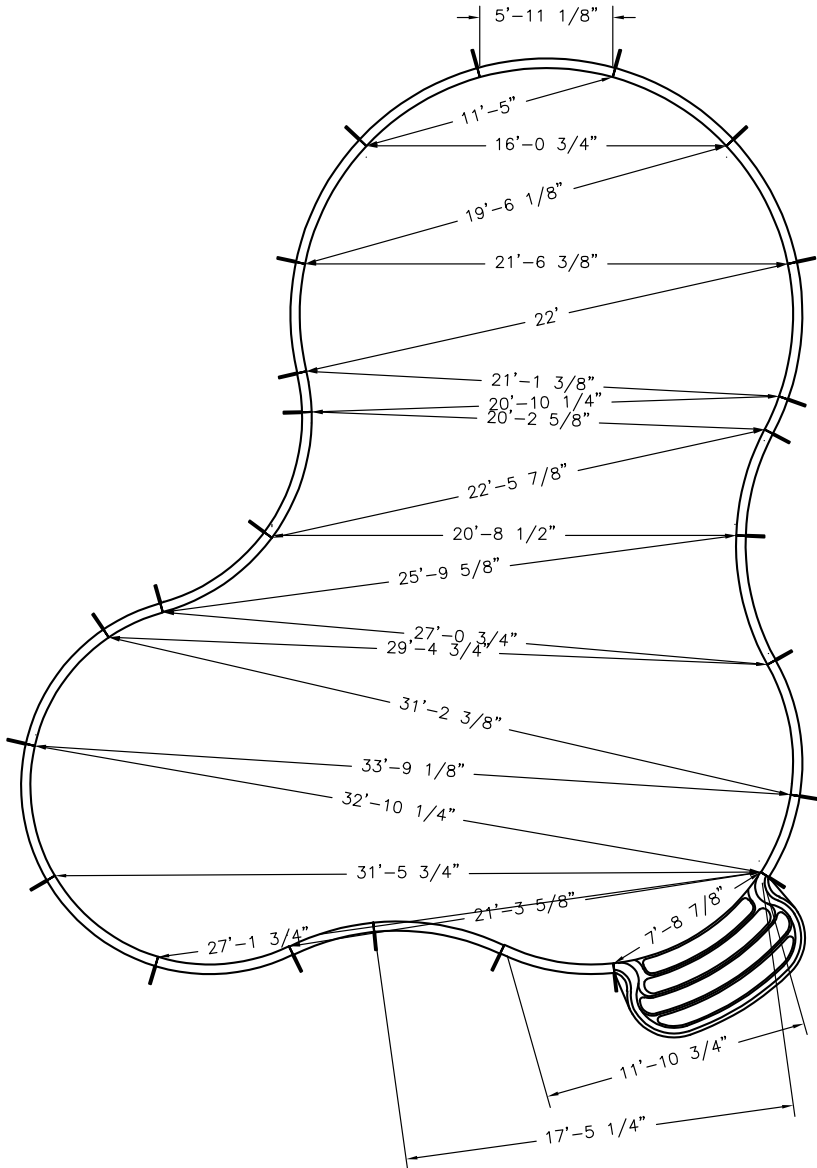
Pool Size: 22' X 40' X 34'

Pool Shape: LAGOON

Approx Gal: 34,186

Pool Number: 223440LA – (PLASTIC)

250 Route 61 South, Schuylkill Haven, PA 17972 • 570-385-4733 • fax: 570-385-1318 • CustomerService@CardinalSystemsinc.com



Date: 5/10/2022

Perimeter: 126'-6 1/4"

Drawn By: JESSE H

Area: 939.8 SQ. FT.

Scale: 1/8" = 1'-0"

Notes: - - - -



cardinalpools.com

This information is the confidential property of Cardinal Systems, Inc. Disclosure or duplication without proper written approval is strictly prohibited. Acceptance and use of this drawing constitutes knowledge and acceptance by the user of the terms and conditions set forth in the notice and warning which accompanied this drawing is incorporated herein and made part hereof and is found on Cardinal Systems, Inc's website at www.CardinalSystemsInc.com