





**Pool Size:** 14' X 28'

**Pool Shape:** KIDNEY

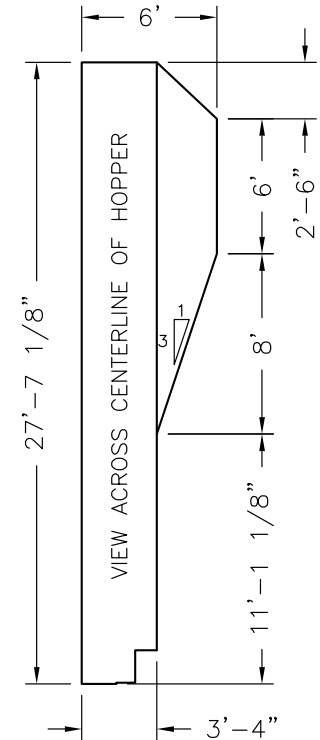
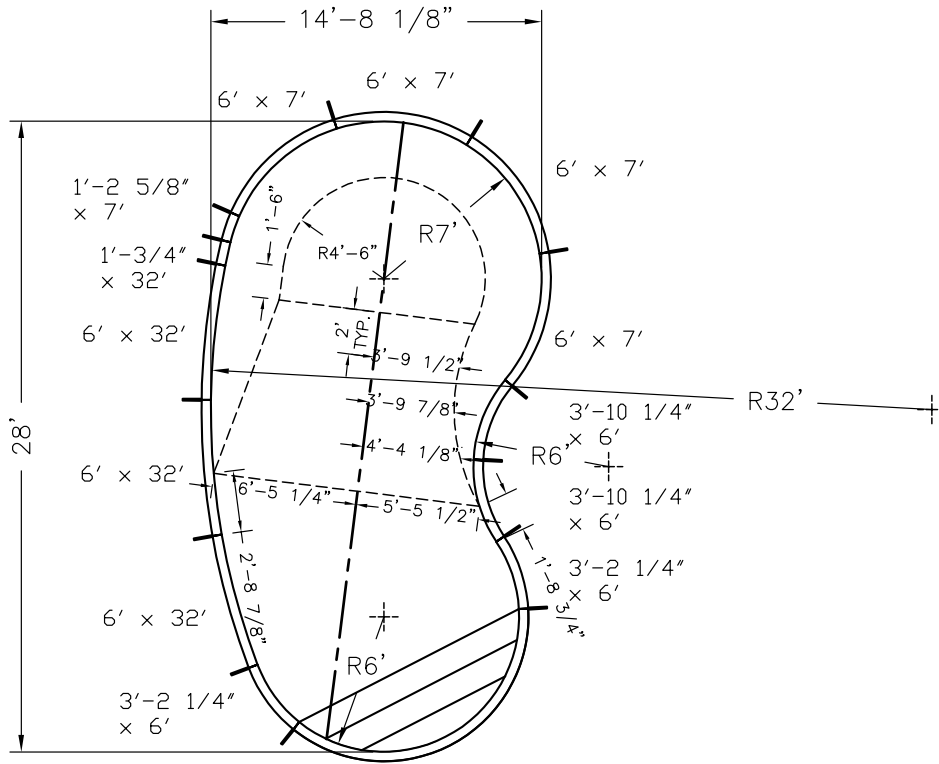
**Approx Gal:** 10,306

**Pool Number:** 1428KID (STEEL)

250 Route 61 South, Schuylkill Haven, PA 17972 • 570-385-4733 • fax: 570-385-1318 • CustomerService@CardinalSystemsInc.com

Bill of Materials

PART NO.	QUANTITY	DESCRIPTION
"A" FRAME	14	"A" FRAME ASSEMBLY
L3TR3060XXXXXC	1	6' RADIUS STEEL STEP W/LINER TRACK
5C42106XX32000	1	1'-3/4" x 32' Radius C PANEL W/O Z
5C42125XX07000	1	1'-2 5/8" x 7' Radius C PANEL W/O Z
5C42322XX06000	2	3'-2 1/4" x 6' Radius C PANEL W/O Z
5C42600XX07000	4	6' x 7' Radius C PANEL W/O Z
5C42600XX32001	3	6' x 32' Radius C PANEL W/1 Z
5R423T2XX06000	2	3'-10 1/4" x 6' Radius R PANEL W/O Z



6' RADIUS STEEL STEP W/LINER TRACK L3TR3060XXXXXC

NOTE: THIS IS A NON DIVING POOL.

<b>Date:</b> 5/10/2022	<b>Perimeter:</b> 72'-2 1/2"	
<b>Drawn By:</b> JESSE H	<b>Area:</b> 323.3 SQ. FT.	
<b>Scale:</b> 1/8" = 1'-0"	<b>Notes:</b> - - - -	

This information is the confidential property of Cardinal Systems, Inc. Disclosure or duplication without proper written approval is strictly prohibited. Acceptance and use of this drawing constitutes knowledge and acceptance by the user of the terms and conditions set forth in the notice and warning which accompanied this drawing is incorporated herein and made part hereof and is found on Cardinal Systems, Inc's website at www.CardinalSystemsInc.com



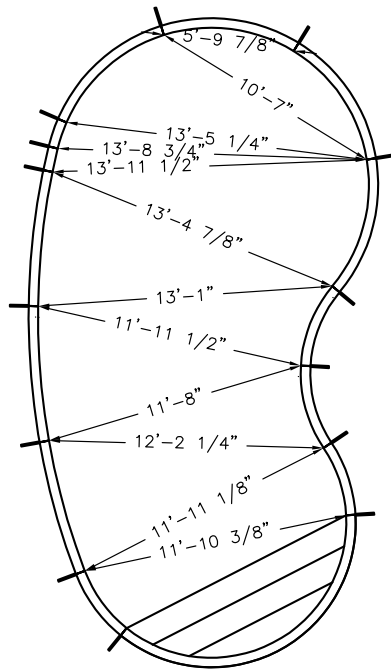
**Pool Size:** 14' X 28'

**Pool Shape:** KIDNEY

**Approx Gal:** 10,306

**Pool Number:** 1428KID (STEEL)

250 Route 61 South, Schuylkill Haven, PA 17972 • 570-385-4733 • fax: 570-385-1318 • CustomerService@CardinalSystemsInc.com



**Date:** 5/10/2022

**Perimeter:** 72'-2 1/2"

**Drawn By:** JESSE H

**Area:** 323.3 SQ. FT.

**Scale:** 1/8" = 1'-0"

**Notes:** - - - -



cardinalpools.com

This Information is the confidential property of Cardinal Systems, Inc. Disclosure or duplication without proper written approval is strictly prohibited. Acceptance and use of this drawing constitutes knowledge and acceptance by the user of the terms and conditions set forth in the notice and warning which accompanied this drawing is incorporated herein and made part hereof and is found on Cardinal Systems, Inc's website at www.CardinalSystemsInc.com



**Pool Size:** 16' X 32'

**Pool Shape:** KIDNEY

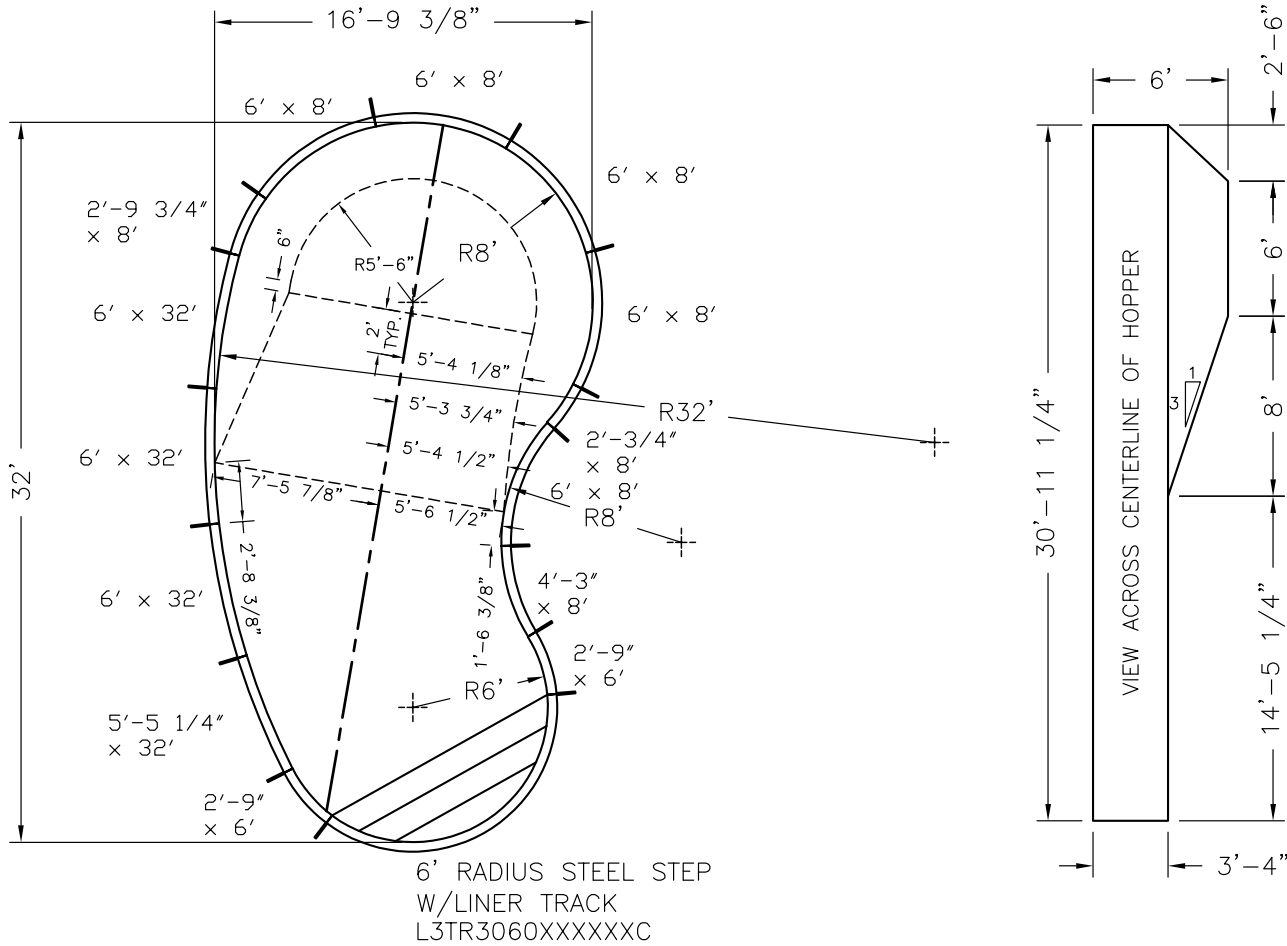
**Approx Gal:** 12,948

**Pool Number:** 1632KID (STEEL)

250 Route 61 South, Schuylkill Haven, PA 17972 • 570-385-4733 • fax: 570-385-1318 • CustomerService@CardinalSystemsinc.com

Bill of Materials

PART NO.	QUANTITY	DESCRIPTION
"A" FRAME	15	"A" FRAME ASSEMBLY
L3TR3060XXXXXXC	1	6' RADIUS STEEL STEP W/LINER TRACK
5C42206XX08000	1	2'-3/4" x 8' Radius C PANEL W/0 Z
5C42290XX06000	2	2'-9" x 6' Radius C PANEL W/0 Z
5C42296XX08000	1	2'-9 3/4" x 8' Radius C PANEL W/0 Z
5C42552XX32000	1	5'-5 1/4" x 32' Radius C PANEL W/0 Z
5C42600XX08000	4	6' x 8' Radius C PANEL W/0 Z
5C42600XX32001	3	6' x 32' Radius C PANEL W/1 Z
5R42430XX08000	1	4'-3" x 8' Radius R PANEL W/0 Z
5R42600XX08000	1	6' x 8' Radius R PANEL W/0 Z



NOTE: THIS IS A NON DIVING POOL.

<b>Date:</b> 5/10/2022	<b>Perimeter:</b> 81'-10 3/4"	
<b>Drawn By:</b> JESSE H	<b>Area:</b> 406.2 SQ. FT.	
<b>Scale:</b> 1/8" = 1'-0"	<b>Notes:</b> -----	

This information is the confidential property of Cardinal Systems, Inc. Disclosure or duplication without proper written approval is strictly prohibited. Acceptance and use of this drawing constitutes knowledge and acceptance by the user of the terms and conditions set forth in the notice and warning which accompanied this drawing is incorporated herein and made part hereof and is found on Cardinal Systems, Inc's website at www.CardinalSystemsInc.com



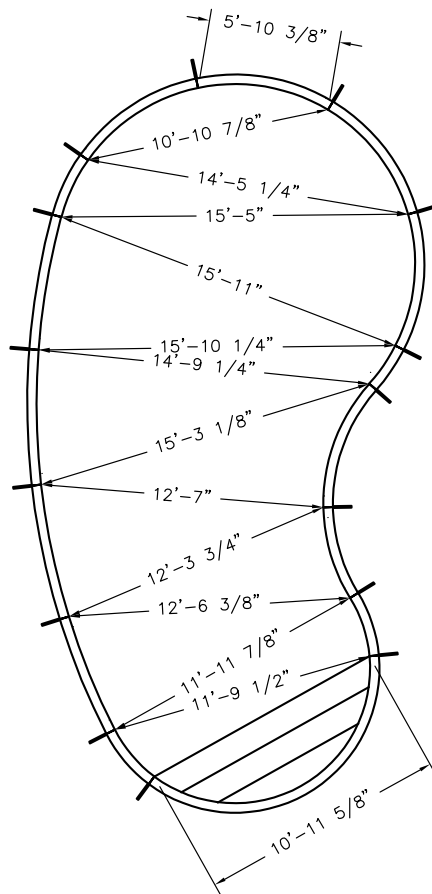
**Pool Size:** 16' X 32'


**Pool Shape:** KIDNEY

**Approx Gal:** 12,948

**Pool Number:** 1632KID (STEEL)

250 Route 61 South, Schuylkill Haven, PA 17972 • 570-385-4733 • fax: 570-385-1318 • CustomerService@CardinalSystemsinc.com



<b>Date:</b> 5/10/2022	<b>Perimeter:</b> 81'-10 3/4"	 cardinalpools.com
<b>Drawn By:</b> JESSE H	<b>Area:</b> 406.2 SQ. FT.	
<b>Scale:</b> 1/8" = 1'-0"	<b>Notes:</b> - - - -	

This Information is the confidential property of Cardinal Systems, Inc. Disclosure or duplication without proper written approval is strictly prohibited. Acceptance and use of this drawing constitutes knowledge and acceptance by the user of the terms and conditions set forth in the notice and warning which accompanied this drawing is incorporated herein and made part hereof and is found on Cardinal Systems, Inc's website at www.CardinalSystemsinc.com



**Pool Size:** 16' X 34'

**Pool Shape:** KIDNEY

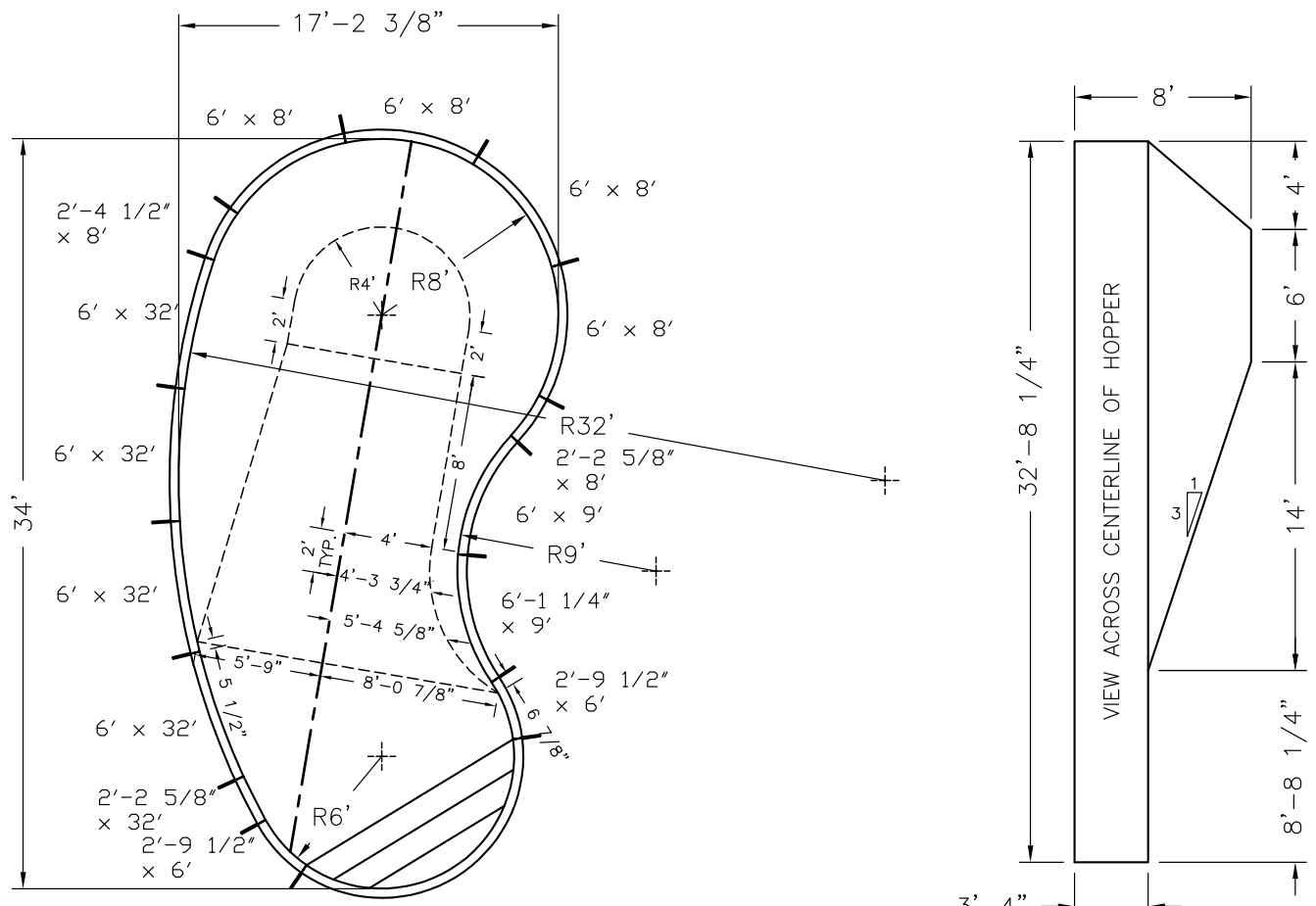
**Approx Gal:** 15,784

**Pool Number:** 1634KID (STEEL)

250 Route 61 South, Schuylkill Haven, PA 17972 • 570-385-4733 • fax: 570-385-1318 • CustomerService@CardinalSystemsinc.com

Bill of Materials

PART NO.	QUANTITY	DESCRIPTION
"A" FRAME	16	"A" FRAME ASSEMBLY
L3TR3060XXXXXXC	1	6' RADIUS STEEL STEP W/LINER TRACK
5C42225XX08000	1	2'-2 5/8" x 8' Radius C PANEL W/0 Z
5C42225XX32000	1	2'-2 5/8" x 32' Radius C PANEL W/0 Z
5C42244XX08000	1	2'-4 1/2" x 8' Radius C PANEL W/0 Z
5C42294XX06000	2	2'-9 1/2" x 6' Radius C PANEL W/0 Z
5C42600XX08000	4	6' x 8' Radius C PANEL W/0 Z
5C42600XX32001	4	6' x 32' Radius C PANEL W/1 Z
5R42600XX09000	1	6' x 9' Radius R PANEL W/0 Z
5R42612XX09000	1	6'-1 1/4" x 9' Radius R PANEL W/0 Z



6' RADIUS STEEL STEP W/LINER TRACK L3TR3060XXXXXXC

<b>Date:</b> 5/10/2022	<b>Perimeter:</b> 86'-4"	
<b>Drawn By:</b> JESSE H	<b>Area:</b> 433.9 SQ. FT.	
<b>Scale:</b> 1/8" = 1'-0"	<b>Notes:</b> - - - -	

This information is the confidential property of Cardinal Systems, Inc. Disclosure or duplication without proper written approval is strictly prohibited. Acceptance and use of this drawing constitutes knowledge and acceptance by the user of the terms and conditions set forth in the notice and warning which accompanied this drawing is incorporated herein and made part hereof and is found on Cardinal Systems, Inc's website at www.CardinalSystemsInc.com



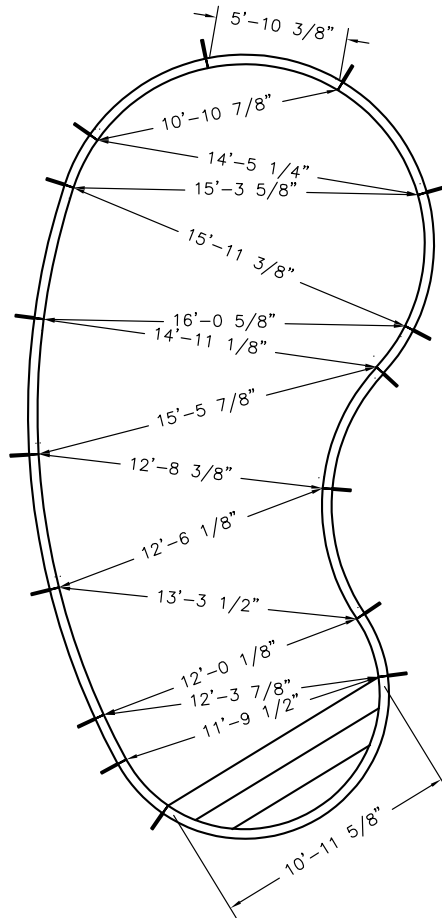
**Pool Size:** 16' X 34'

**Pool Shape:** KIDNEY

**Approx Gal:** 15,784

**Pool Number:** 1634KID (STEEL)

250 Route 61 South, Schuylkill Haven, PA 17972 • 570-385-4733 • fax: 570-385-1318 • CustomerService@CardinalSystemsinc.com



**Date:** 5/10/2022

**Perimeter:** 86'-4"

**Drawn By:** JESSE H

**Area:** 433.9 SQ. FT.

**Scale:** 1/8" = 1'-0"

**Notes:** -----



cardinalpools.com

This Information is the confidential property of Cardinal Systems, Inc. Disclosure or duplication without proper written approval is strictly prohibited. Acceptance and use of this drawing constitutes knowledge and acceptance by the user of the terms and conditions set forth in the notice and warning which accompanied this drawing is incorporated herein and made part hereof and is found on Cardinal Systems, Inc's website at www.CardinalSystemsInc.com



**Pool Size:** 16' X 36'

**Pool Shape:** KIDNEY

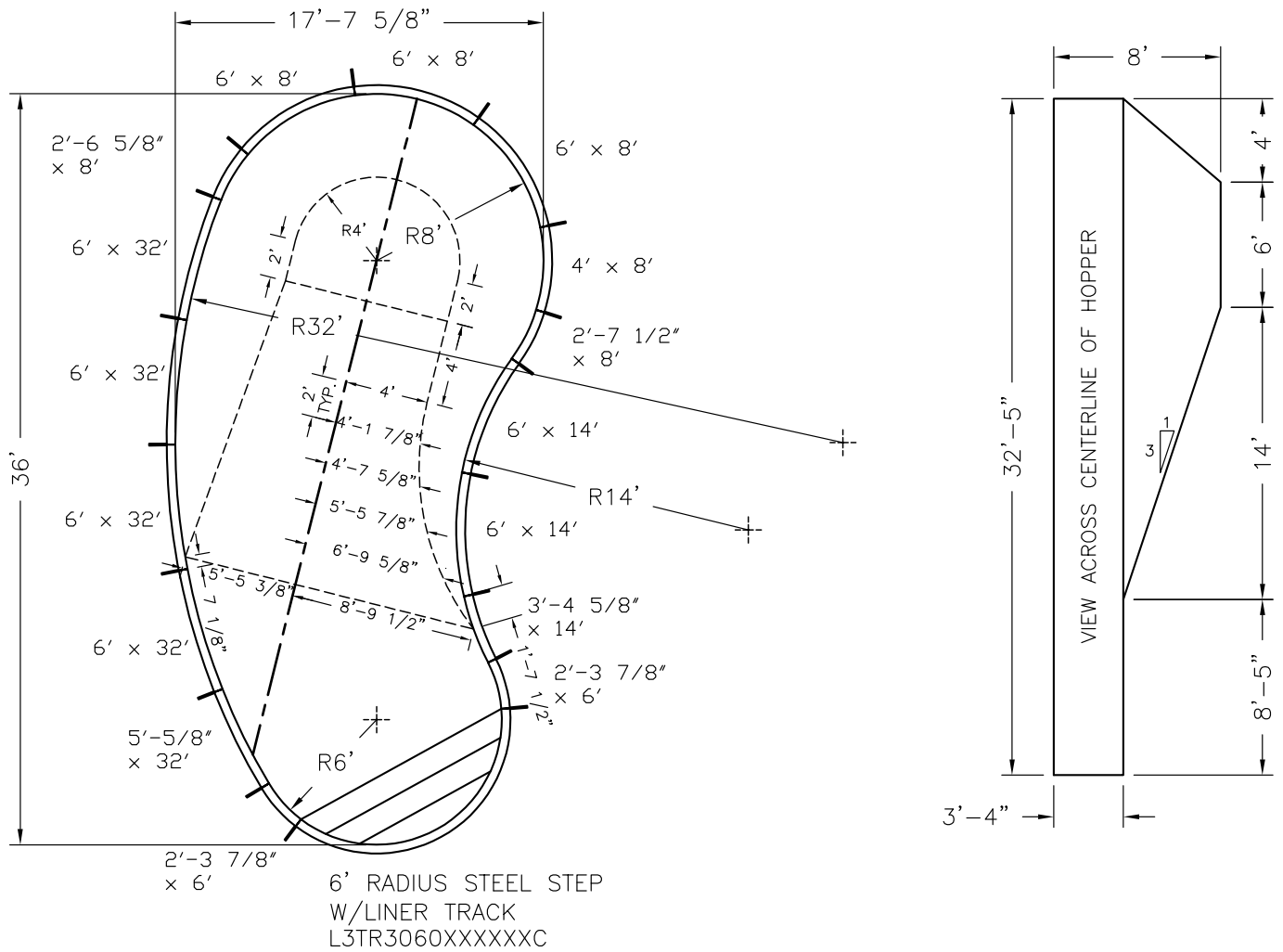
**Approx Gal:** 17,144

**Pool Number:** 1636KID (STEEL)

250 Route 61 South, Schuylkill Haven, PA 17972 • 570-385-4733 • fax: 570-385-1318 • CustomerService@CardinalSystemsinc.com

Bill of Materials

PART NO.	QUANTITY	DESCRIPTION
"A" FRAME	17	"A" FRAME ASSEMBLY
L3TR3060XXXXXC	1	6' RADIUS STEEL STEP W/LINER TRACK
5C42237XX06000	2	2'-3 7/8" x 6' Radius C PANEL W/0 Z
5C42265XX08000	1	2'-6 5/8" x 8' Radius C PANEL W/0 Z
5C42274XX08000	1	2'-7 1/2" x 8' Radius C PANEL W/0 Z
5C42400XX08000	1	4' x 8' Radius C PANEL W/0 Z
5C42505XX32000	1	5'-5/8" x 32' Radius C PANEL W/0 Z
5C42600XX08000	3	6' x 8' Radius C PANEL W/0 Z
5C42600XX32001	4	6' x 32' Radius C PANEL W/1 Z
5R42345XX14000	1	3'-4 5/8" x 14' Radius R PANEL W/0 Z
5R42600XX14000	2	6' x 14' Radius R PANEL W/0 Z



<b>Date:</b> 5/10/2022	<b>Perimeter:</b> 90'-0 7/8"	
<b>Drawn By:</b> JESSE H	<b>Area:</b> 471.3 SQ. FT.	
<b>Scale:</b> 1/8" = 1'-0"	<b>Notes:</b> -----	
<p>This information is the confidential property of Cardinal Systems, Inc. Disclosure or duplication without proper written approval is strictly prohibited. Acceptance and use of this drawing constitutes knowledge and acceptance by the user of the terms and conditions set forth in the notice and warning which accompanied this drawing is incorporated herein and made part hereof and is found on Cardinal Systems, Inc.'s website at <a href="http://www.CardinalSystemsInc.com">www.CardinalSystemsInc.com</a></p>		





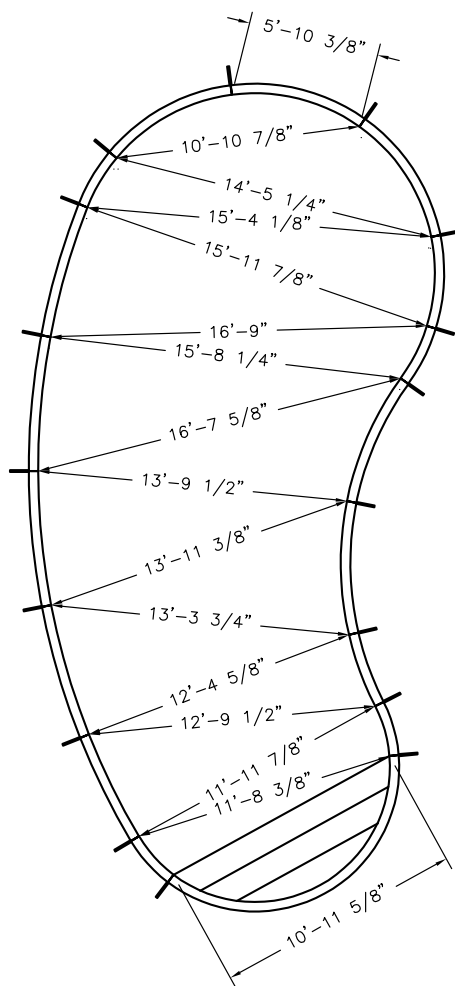
**Pool Size:** 16' X 36'

**Pool Shape:** KIDNEY

**Approx Gal:** 17,144

**Pool Number:** 1636KID (STEEL)

250 Route 61 South, Schuylkill Haven, PA 17972 • 570-385-4733 • fax: 570-385-1318 • CustomerService@CardinalSystemsinc.com



**Date:** 5/10/2022

**Perimeter:** 90'-0 7/8"

**Drawn By:** JESSE H

**Area:** 471.3 SQ. FT.

**Scale:** 1/8" = 1'-0"

**Notes:** - - - -



cardinalpools.com

This information is the confidential property of Cardinal Systems, Inc. Disclosure or duplication without proper written approval is strictly prohibited. Acceptance and use of this drawing constitutes knowledge and acceptance by the user of the terms and conditions set forth in the notice and warning which accompanied this drawing is incorporated herein and made part hereof and is found on Cardinal Systems, Inc's website at www.CardinalSystemsInc.com



**Pool Size:** 18' X 34

**Pool Shape:** KIDNEY

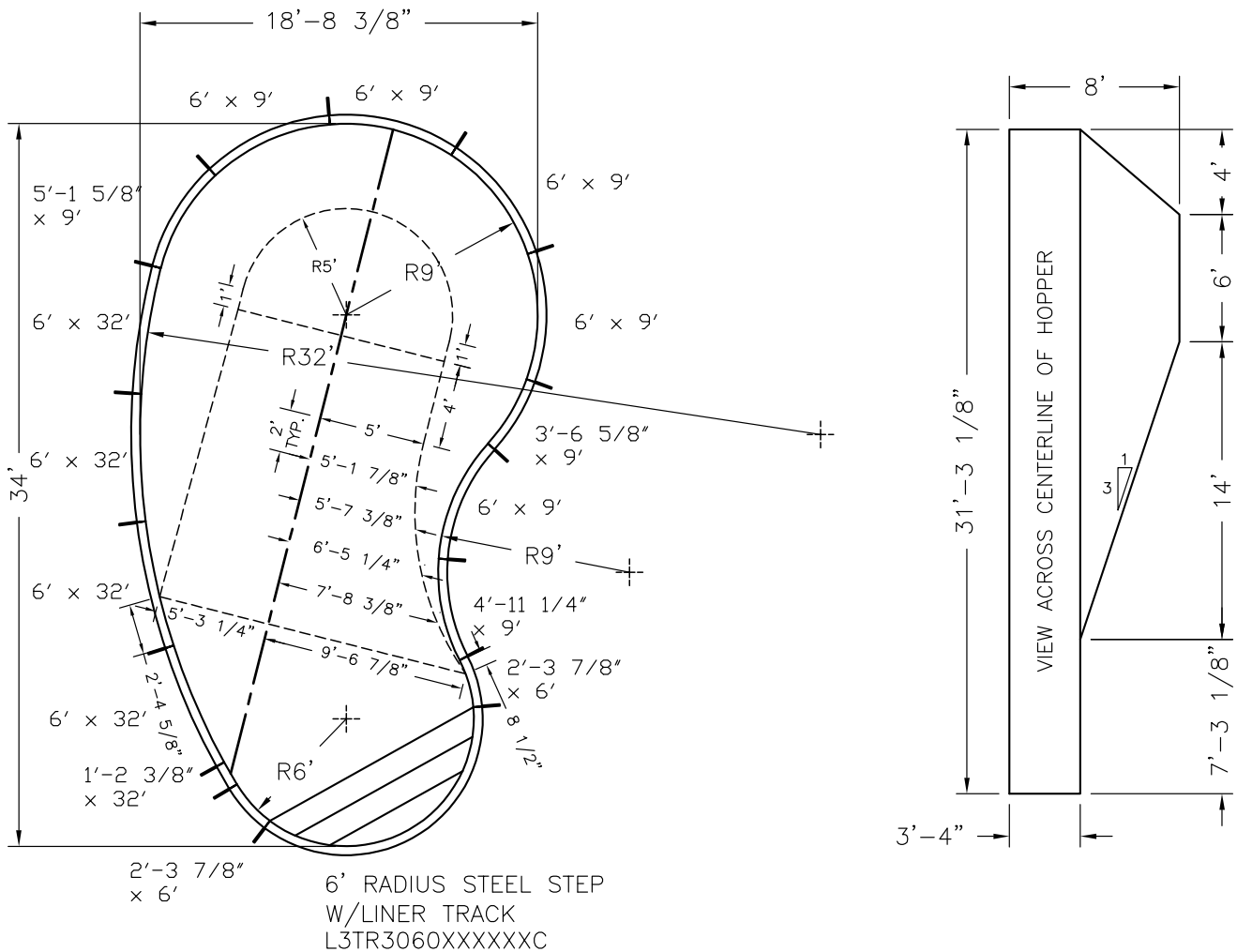
**Approx Gal:** 17,137

**Pool Number:** 1834KID (STEEL)

250 Route 61 South, Schuylkill Haven, PA 17972 • 570-385-4733 • fax: 570-385-1318 • CustomerService@CardinalSystemsInc.com

Bill of Materials

PART NO.	QUANTITY	DESCRIPTION
"A" FRAME	16	"A" FRAME ASSEMBLY
L3TR3060XXXXXC	1	6' RADIUS STEEL STEP W/LINER TRACK
5C42123XX32000	1	1'-2 3/8" x 32' Radius C PANEL W/0 Z
5C42237XX06000	2	2'-3 7/8" x 6' Radius C PANEL W/0 Z
5C42365XX09000	1	3'-6 5/8" x 9' Radius C PANEL W/0 Z
5C42515XX09000	1	5'-1 5/8" x 9' Radius C PANEL W/0 Z
5C42600XX09000	4	6' x 9' Radius C PANEL W/0 Z
5C42600XX32001	4	6' x 32' Radius C PANEL W/1 Z
5R424E2XX09000	1	4'-11 1/4" x 9' Radius R PANEL W/0 Z
5R42600XX09000	1	6' x 9' Radius R PANEL W/0 Z



<b>Date:</b> 5/10/2022	<b>Perimeter:</b> 87'-3 1/2"	
<b>Drawn By:</b> JESSE H	<b>Area:</b> 471.1 SQ. FT.	
<b>Scale:</b> 1/8" = 1'-0"	<b>Notes:</b> -----	
<p>This information is the confidential property of Cardinal Systems, Inc. Disclosure or duplication without proper written approval is strictly prohibited. Acceptance and use of this drawing constitutes knowledge and acceptance by the user of the terms and conditions set forth in the notice and warning which accompanied this drawing is incorporated herein and made part hereof and is found on Cardinal Systems, Inc's website at www.CardinalSystemsInc.com</p>		



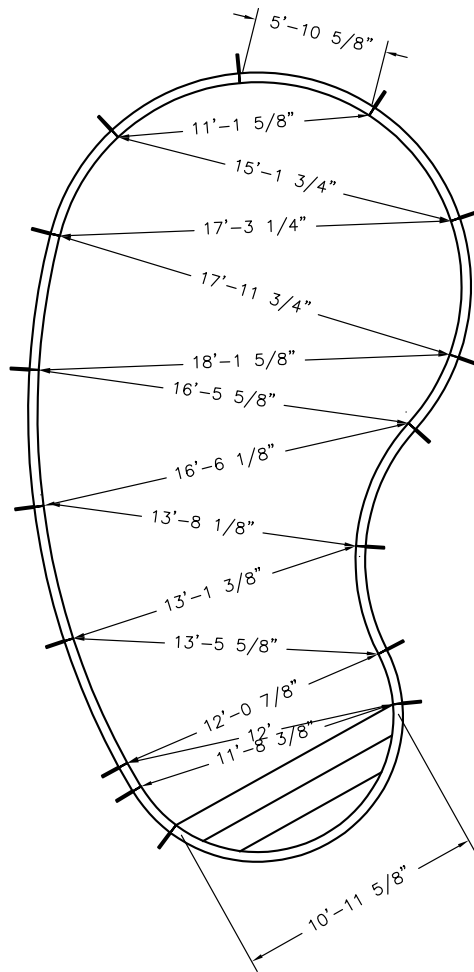
**Pool Size:** 18' X 34

**Pool Shape:** KIDNEY

**Approx Gal:** 17,137

**Pool Number:** 1834KID (STEEL)

250 Route 61 South, Schuylkill Haven, PA 17972 • 570-385-4733 • fax: 570-385-1318 • CustomerService@CardinalSystemsInc.com



**Date:** 5/10/2022

**Perimeter:** 87'-3 1/2"

**Drawn By:** JESSE H

**Area:** 471.1 SQ. FT.

**Scale:** 1/8" = 1'-0"

**Notes:** - - - -



cardinalpools.com

This Information is the confidential property of Cardinal Systems, Inc. Disclosure or duplication without proper written approval is strictly prohibited. Acceptance and use of this drawing constitutes knowledge and acceptance by the user of the terms and conditions set forth in the notice and warning which accompanied this drawing is incorporated herein and made part hereof and is found on Cardinal Systems, Inc's website at www.CardinalSystemsInc.com



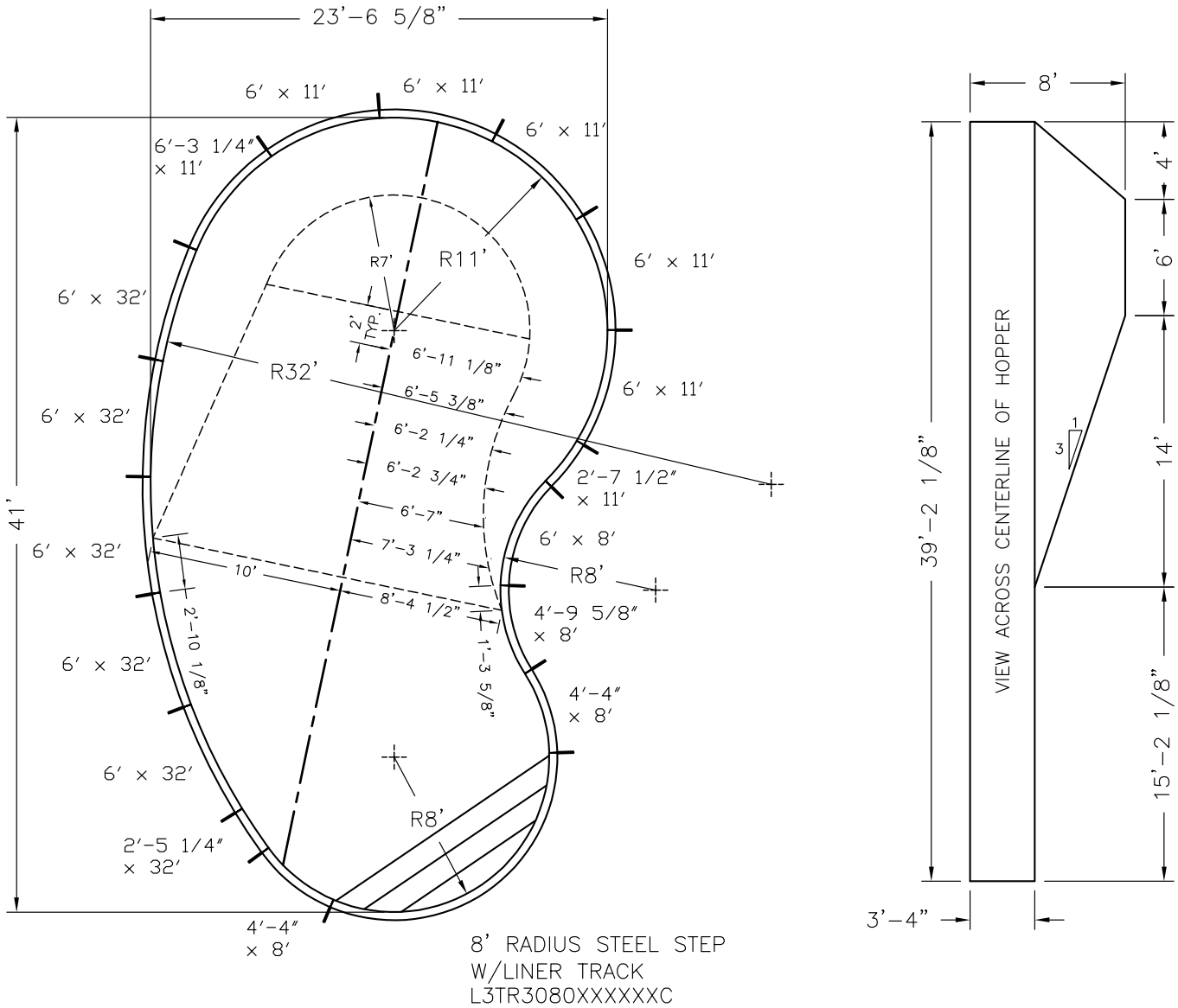
**Pool Size:** 22' X 41'  
**Pool Shape:** KIDNEY  
**Pool Number:** 2241KID (STEEL)

**Approx Gal:** 26,292

250 Route 61 South, Schuylkill Haven, PA 17972 • 570-385-4733 • fax: 570-385-1318 • CustomerService@CardinalSystemsinc.com

Bill of Materials

PART NO.	QUANTITY	DESCRIPTION
"A" FRAME	18	"A" FRAME ASSEMBLY
L3TR3080XXXXXC	1	8' RADIUS STEEL STEP W/LINER TRACK
5C42252XX32000	1	2'-5 1/4" x 32' Radius C PANEL W/0 Z
5C42274XX11000	1	2'-7 1/2" x 11' Radius C PANEL W/0 Z
5C42440XX08000	2	4'-4" x 8' Radius C PANEL W/0 Z
5C42600XX11000	5	6' x 11' Radius C PANEL W/0 Z
5C42600XX32001	5	6' x 32' Radius C PANEL W/1 Z
5C42632XX11000	1	6'-3 1/4" x 11' Radius C PANEL W/0 Z
5R42495XX08000	1	4'-9 5/8" x 8' Radius R PANEL W/0 Z
5R42600XX08000	1	6' x 8' Radius R PANEL W/0 Z



8' RADIUS STEEL STEP  
W/LINER TRACK  
L3TR3080XXXXXC

Date: 5/10/2022

Perimeter: 106'-9 5/8"

Drawn By: JESSE H

Area: 722.8 SQ. FT.

Scale: 1/8" = 1'-0"

Notes: -----



cardinalpools.com

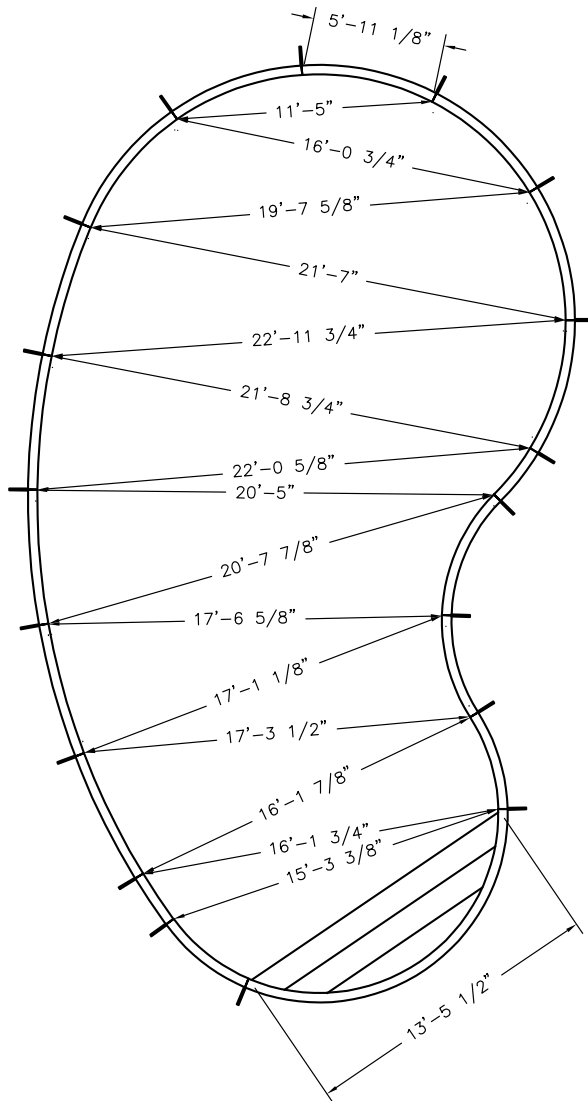
This information is the confidential property of Cardinal Systems, Inc. Disclosure or duplication without proper written approval is strictly prohibited. Acceptance and use of this drawing constitutes knowledge and acceptance by the user of the terms and conditions set forth in the notice and warning which accompanied this drawing is incorporated herein and made part hereof and is found on Cardinal Systems, Inc.'s website at www.CardinalSystemsInc.com




**Pool Size:** 22' X 41'  
**Pool Shape:** KIDNEY  
**Pool Number:** 2241KID (STEEL)

**Approx Gal:** 26,292

250 Route 61 South, Schuylkill Haven, PA 17972 • 570-385-4733 • fax: 570-385-1318 • CustomerService@CardinalSystemsinc.com



<b>Date:</b> 5/10/2022	<b>Perimeter:</b> 106'-9 5/8"	 cardinalpools.com
<b>Drawn By:</b> JESSE H	<b>Area:</b> 722.8 SQ. FT.	
<b>Scale:</b> 1/8" = 1'-0"	<b>Notes:</b> -----	

This information is the confidential property of Cardinal Systems, Inc. Disclosure or duplication without proper written approval is strictly prohibited. Acceptance and use of this drawing constitutes knowledge and acceptance by the user of the terms and conditions set forth in the notice and warning which accompanied this drawing is incorporated herein and made part hereof and is found on Cardinal Systems, Inc's website at www.CardinalSystemsInc.com



**Pool Size:** 14' X 28'

**Pool Shape:** KIDNEY

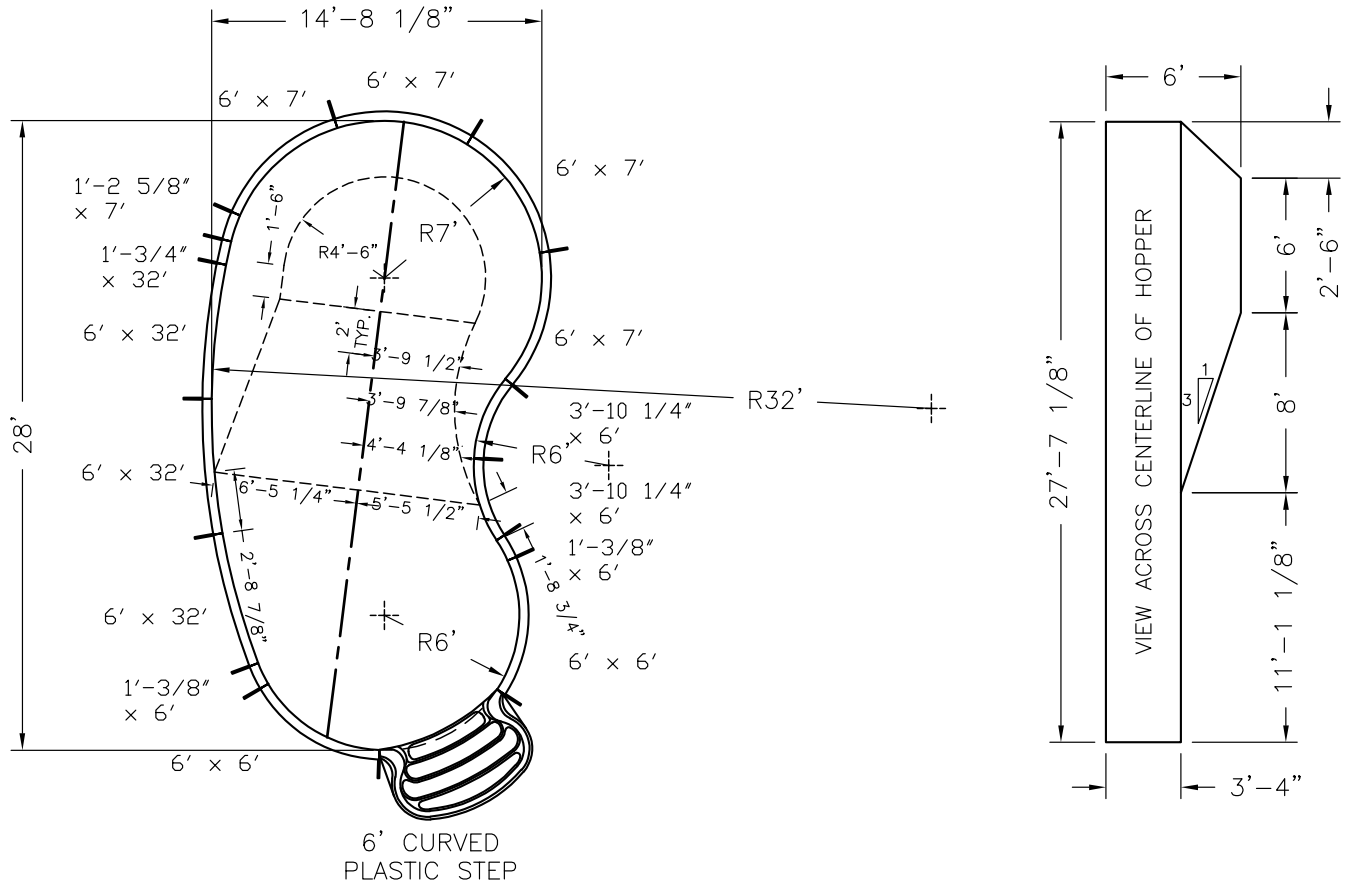
**Approx Gal:** 10,306

**Pool Number:** 1428KID (PLASTIC)

250 Route 61 South, Schuylkill Haven, PA 17972 • 570-385-4733 • fax: 570-385-1318 • CustomerService@CardinalSystemsinc.com

Bill of Materials

PART NO.	QUANTITY	DESCRIPTION
"A" FRAME	16	"A" FRAME ASSEMBLY
5C42103XX06000	2	1'-3/8" x 6' Radius C PANEL W/0 Z
5C42106XX32000	1	1'-3/4" x 32' Radius C PANEL W/0 Z
5C42125XX07000	1	1'-2 5/8" x 7' Radius C PANEL W/0 Z
5C42600XX06000	2	6' x 6' Radius C PANEL W/0 Z
5C42600XX07000	4	6' x 7' Radius C PANEL W/0 Z
5C42600XX32001	3	6' x 32' Radius C PANEL W/1 Z
5R423T2XX06000	2	3'-10 1/4" x 6' Radius R PANEL W/0 Z



NOTE: THIS IS A NON DIVING POOL.

**Date:** 5/11/2022

**Perimeter:** 72'-2 1/2"

**Drawn By:** AUSTIN K

**Area:** 323.3 SQ. FT.

**Scale:** 1/8" = 1'-0"

**Notes:** -----



cardinalpools.com

This information is the confidential property of Cardinal Systems, Inc. Disclosure or duplication without proper written approval is strictly prohibited. Acceptance and use of this drawing constitutes knowledge and acceptance by the user of the terms and conditions set forth in the notice and warning which accompanied this drawing is incorporated herein and made part hereof and is found on Cardinal Systems, Inc's website at www.CardinalSystemsInc.com



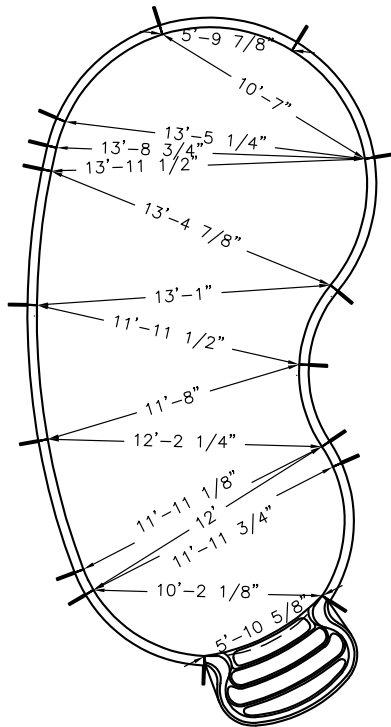
**Pool Size:** 14' X 28'

**Pool Shape:** KIDNEY

**Approx Gal:** 10,306

**Pool Number:** 1428KID (PLASTIC)

250 Route 61 South, Schuylkill Haven, PA 17972 • 570-385-4733 • fax: 570-385-1318 • CustomerService@CardinalSystemsinc.com



**Date:** 5/11/2022

**Perimeter:** 72'-2 1/2"

**Drawn By:** AUSTIN K

**Area:** 323.3 SQ. FT.

**Scale:** 1/8" = 1'-0"

**Notes:** - - - -



cardinalpools.com

This information is the confidential property of Cardinal Systems, Inc. Disclosure or duplication without proper written approval is strictly prohibited. Acceptance and use of this drawing constitutes knowledge and acceptance by the user of the terms and conditions set forth in the notice and warning which accompanied this drawing is incorporated herein and made part hereof and is found on Cardinal Systems, Inc's website at www.CardinalSystemsInc.com



**Pool Size:** 16' X 32'

**Pool Shape:** KIDNEY

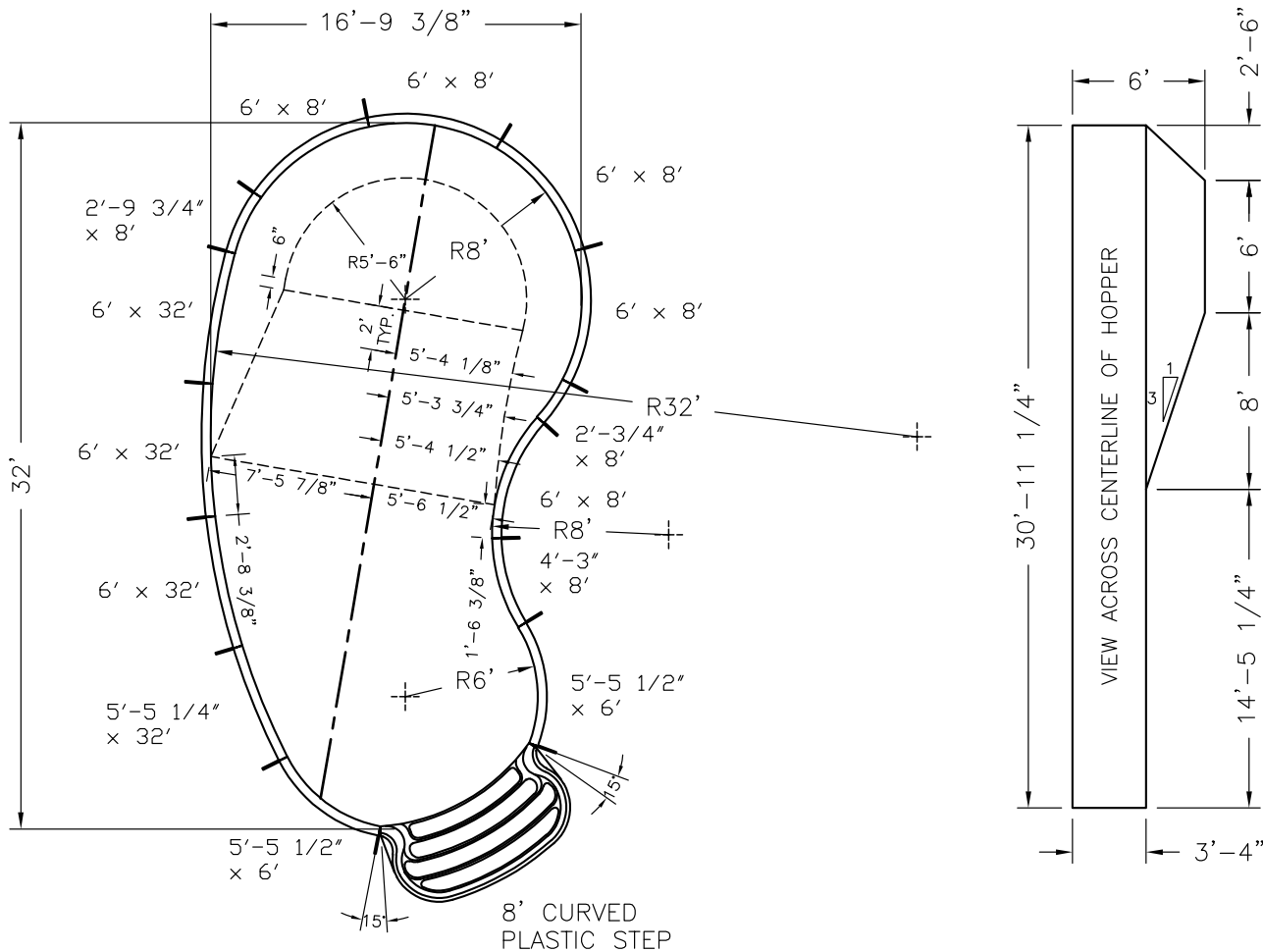
**Approx Gal:** 12,856

**Pool Number:** 1632KID (PLASTIC)

250 Route 61 South, Schuylkill Haven, PA 17972 • 570-385-4733 • fax: 570-385-1318 • CustomerService@CardinalSystemsinc.com

Bill of Materials

PART NO.	QUANTITY	DESCRIPTION
"A" FRAME	15	"A" FRAME ASSEMBLY
CS900GS-15	2	15° STEP ANGLE
5C42206XX08000	1	2'-3/4" x 8' Radius C PANEL W/O Z
5C42296XX08000	1	2'-9 3/4" x 8' Radius C PANEL W/O Z
5C42552XX32000	1	5'-5 1/4" x 32' Radius C PANEL W/O Z
5C42554XX06000	2	5'-5 1/2" x 6' Radius C PANEL W/O Z
5C42600XX08000	4	6' x 8' Radius C PANEL W/O Z
5C42600XX32001	3	6' x 32' Radius C PANEL W/O Z
5R42430XX08000	1	4'-3" x 8' Radius R PANEL W/O Z
5R42600XX08000	1	6' x 8' Radius R PANEL W/O Z



NOTE: THIS IS A NON DIVING POOL.

Date: 5/10/2022

Perimeter: 81'-5 3/4"

Drawn By: JESSE H

Area: 403.3 SQ. FT.

Scale: 1/8" = 1'-0"

Notes: -----



cardinalpools.com

This information is the confidential property of Cardinal Systems, Inc. Disclosure or duplication without proper written approval is strictly prohibited. Acceptance and use of this drawing constitutes knowledge and acceptance by the user of the terms and conditions set forth in the notice and warning which accompanied this drawing is incorporated herein and made part hereof and is found on Cardinal Systems, Inc's website at www.CardinalSystemsInc.com





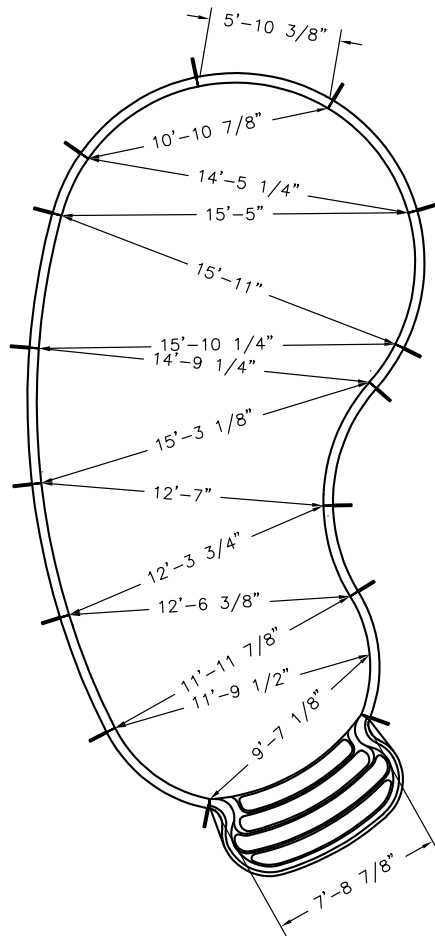
**Pool Size:** 16' X 32'

**Pool Shape:** KIDNEY

**Approx Gal:** 12,856

**Pool Number:** 1632KID (PLASTIC)

250 Route 61 South, Schuylkill Haven, PA 17972 • 570-385-4733 • fax: 570-385-1318 • CustomerService@CardinalSystemsinc.com



**Date:** 5/10/2022

**Perimeter:** 81'-5 3/4"

**Drawn By:** JESSE H

**Area:** 403.3 SQ. FT.

**Scale:** 1/8" = 1'-0"

**Notes:** - - - -



cardinalpools.com

This Information Is the confidential property of Cardinal Systems, Inc. Disclosure or duplication without proper written approval is strictly prohibited. Acceptance and use of this drawing constitutes knowledge and acceptance by the user of the terms and conditions set forth in the notice and warning which accompanied this drawing is incorporated herein and made part hereof and is found on Cardinal Systems, Inc's website at www.CardinalSystemsinc.com



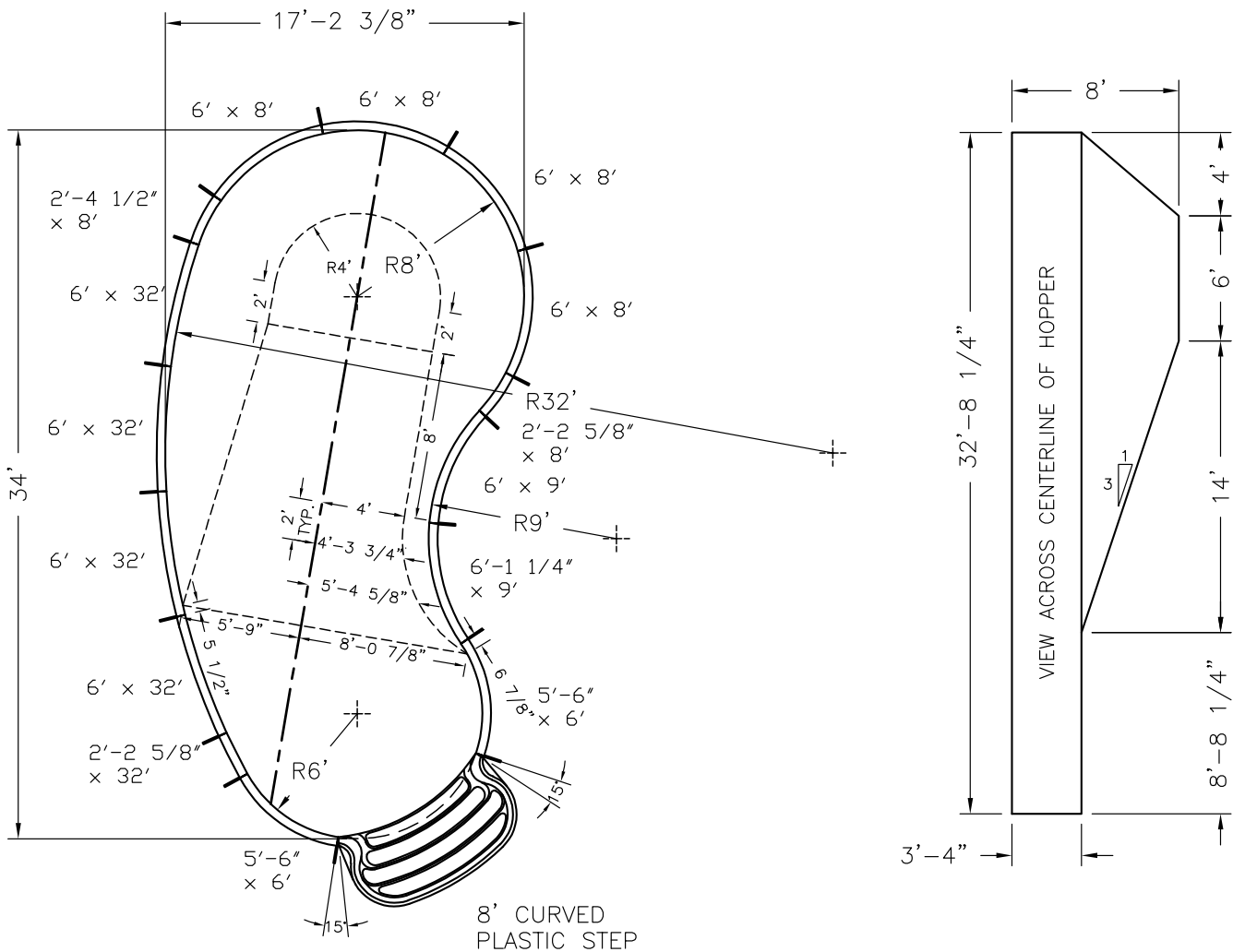
**Pool Size:** 16' X 34'  
**Pool Shape:** KIDNEY  
**Pool Number:** 1634KID (PLASTIC)


**Approx Gal:** 15,678

250 Route 61 South, Schuylkill Haven, PA 17972 • 570-385-4733 • fax: 570-385-1318 • CustomerService@CardinalSystemsInc.com

### Bill of Materials

PART NO.	QUANTITY	DESCRIPTION
"A" FRAME	16	"A" FRAME ASSEMBLY
CS900GS-15	2	15° STEP ANGLE
5C42225XX08000	1	2'-2 5/8" x 8' Radius C PANEL W/0 Z
5C42225XX32000	1	2'-2 5/8" x 32' Radius C PANEL W/0 Z
5C42244XX08000	1	2'-4 1/2" x 8' Radius C PANEL W/0 Z
5C42560XX06000	2	5'-6" x 6' Radius C PANEL W/0 Z
5C42600XX08000	4	6' x 8' Radius C PANEL W/0 Z
5C42600XX32001	4	6' x 32' Radius C PANEL W/1 Z
5R42600XX09000	1	6' x 9' Radius R PANEL W/0 Z
5R42612XX09000	1	6'-1 1/4" x 9' Radius R PANEL W/0 Z



<b>Date:</b> 5/10/2022	<b>Perimeter:</b> 85'-11"	 <small>cardinalpools.com</small>
<b>Drawn By:</b> JESSE H	<b>Area:</b> 431.0 SQ. FT.	
<b>Scale:</b> 1/8" = 1'-0"	<b>Notes:</b> -----	

This information is the confidential property of Cardinal Systems, Inc. Disclosure or duplication without proper written approval is strictly prohibited. Acceptance and use of this drawing constitutes knowledge and acceptance by the user of the terms and conditions set forth in the notice and warning which accompanied this drawing is incorporated herein and made part hereof and is found on Cardinal Systems, Inc's website at www.CardinalSystemsInc.com



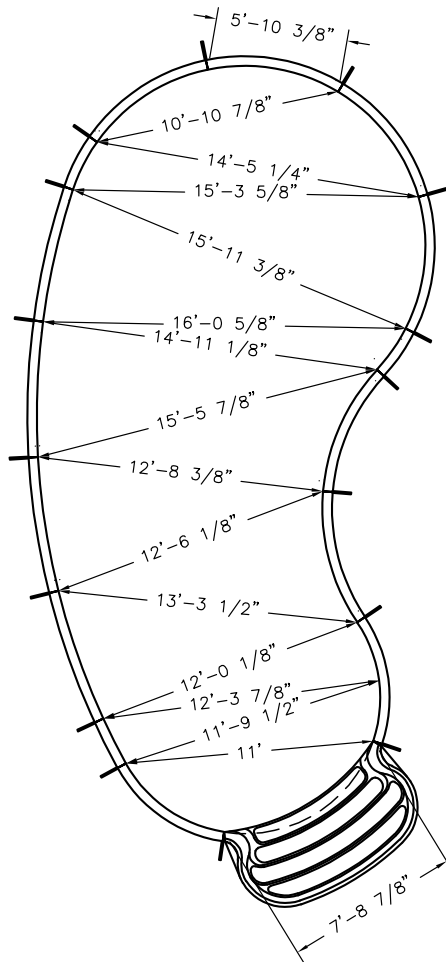
**Pool Size:** 16' X 34'

**Pool Shape:** KIDNEY

**Approx Gal:** 15,678

**Pool Number:** 1634KID (PLASTIC)

250 Route 61 South, Schuylkill Haven, PA 17972 • 570-385-4733 • fax: 570-385-1318 • CustomerService@CardinalSystemsinc.com



**Date:** 5/10/2022

**Perimeter:** 85'-11"

**Drawn By:** JESSE H

**Area:** 431.0 SQ. FT.

**Scale:** 1/8" = 1'-0"

**Notes:** - - - -



cardinalpools.com

This information is the confidential property of Cardinal Systems, Inc. Disclosure or duplication without proper written approval is strictly prohibited. Acceptance and use of this drawing constitutes knowledge and acceptance by the user of the terms and conditions set forth in the notice and warning which accompanied this drawing is incorporated herein and made part hereof and is found on Cardinal Systems, Inc's website at www.CardinalSystemsInc.com



**Pool Size:** 16' X 36'

**Pool Shape:** KIDNEY

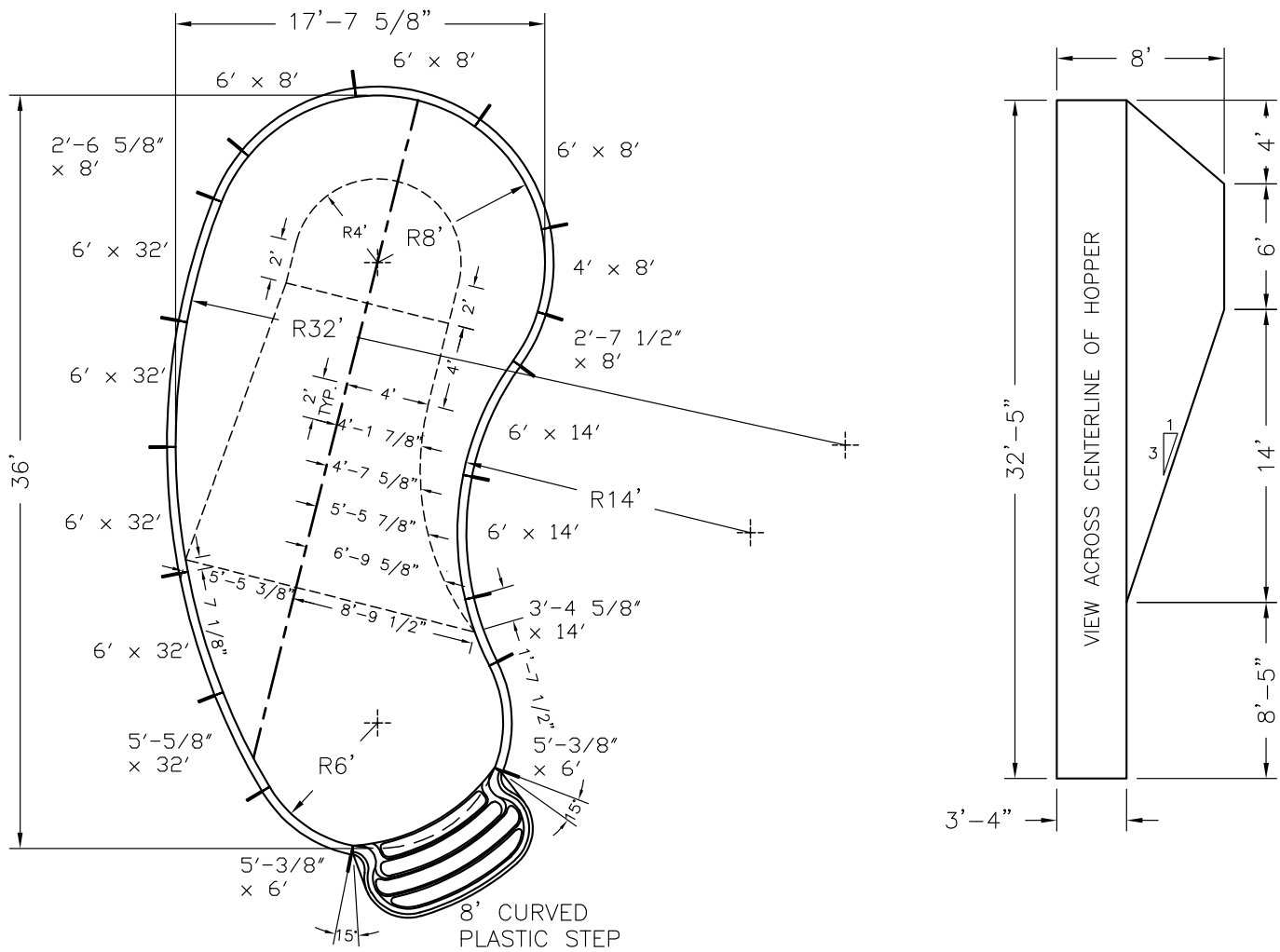
**Approx Gal:** 17,035

**Pool Number:** 1636KID (PLASTIC)

250 Route 61 South, Schuylkill Haven, PA 17972 • 570-385-4733 • fax: 570-385-1318 • CustomerService@CardinalSystemsinc.com

Bill of Materials

PART NO.	QUANTITY	DESCRIPTION
"A" FRAME	17	"A" FRAME ASSEMBLY
CS900GS-15	2	15° STEP ANGLE
5C42265XX08000	1	2'-6 5/8" x 8' Radius C PANEL W/0 Z
5C42274XX08000	1	2'-7 1/2" x 8' Radius C PANEL W/0 Z
5C42400XX08000	1	4' x 8' Radius C PANEL W/0 Z
5C42503XX06000	2	5'-3/8" x 6' Radius C PANEL W/0 Z
5C42505XX32000	1	5'-5/8" x 32' Radius C PANEL W/0 Z
5C42600XX08000	3	6' x 8' Radius C PANEL W/0 Z
5C42600XX32001	4	6' x 32' Radius C PANEL W/1 Z
5R42345XX14000	1	3'-4 5/8" x 14' Radius R PANEL W/0 Z
5R42600XX14000	2	6' x 14' Radius R PANEL W/0 Z



<b>Date:</b> 5/10/2022	<b>Perimeter:</b> 89'-8"	
<b>Drawn By:</b> JESSE H	<b>Area:</b> 468.3 SQ. FT.	
<b>Scale:</b> 1/8" = 1'-0"	<b>Notes:</b> -----	

This information is the confidential property of Cardinal Systems, Inc. Disclosure or duplication without proper written approval is strictly prohibited. Acceptance and use of this drawing constitutes knowledge and acceptance by the user of the terms and conditions set forth in the notice and warning which accompanied this drawing is incorporated herein and made part hereof and is found on Cardinal Systems, Inc's website at www.CardinalSystemsInc.com



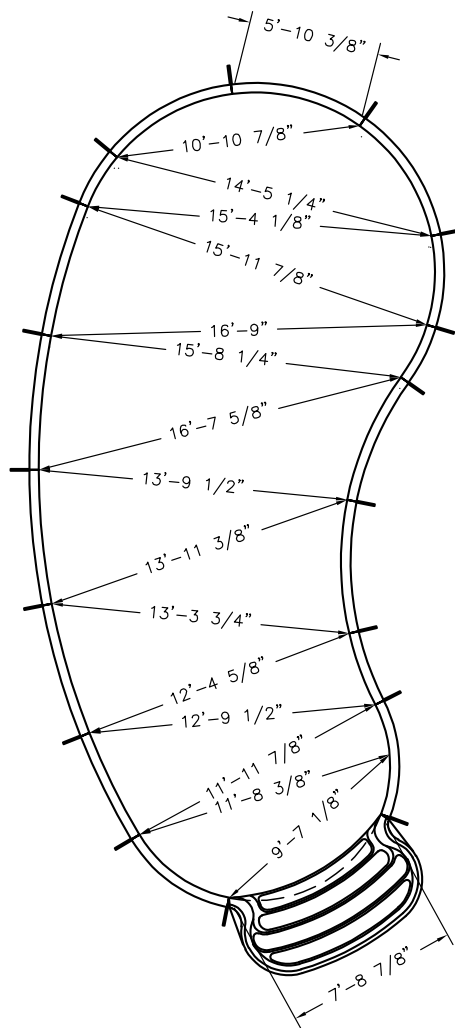
**Pool Size:** 16' X 36'

**Pool Shape:** KIDNEY

**Approx Gal:** 17,035

**Pool Number:** 1636KID (PLASTIC)

250 Route 61 South, Schuylkill Haven, PA 17972 • 570-385-4733 • fax: 570-385-1318 • CustomerService@CardinalSystemsinc.com



**Date:** 5/10/2022

**Perimeter:** 89'-8"

**Drawn By:** JESSE H

**Area:** 468.3 SQ. FT.

**Scale:** 1/8" = 1'-0"

**Notes:** - - - -



cardinalpools.com

This information is the confidential property of Cardinal Systems, Inc. Disclosure or duplication without proper written approval is strictly prohibited. Acceptance and use of this drawing constitutes knowledge and acceptance by the user of the terms and conditions set forth in the notice and warning which accompanied this drawing is incorporated herein and made part hereof and is found on Cardinal Systems, Inc's website at www.CardinalSystemsInc.com



**Pool Size:** 18' X 34'

**Pool Shape:** KIDNEY

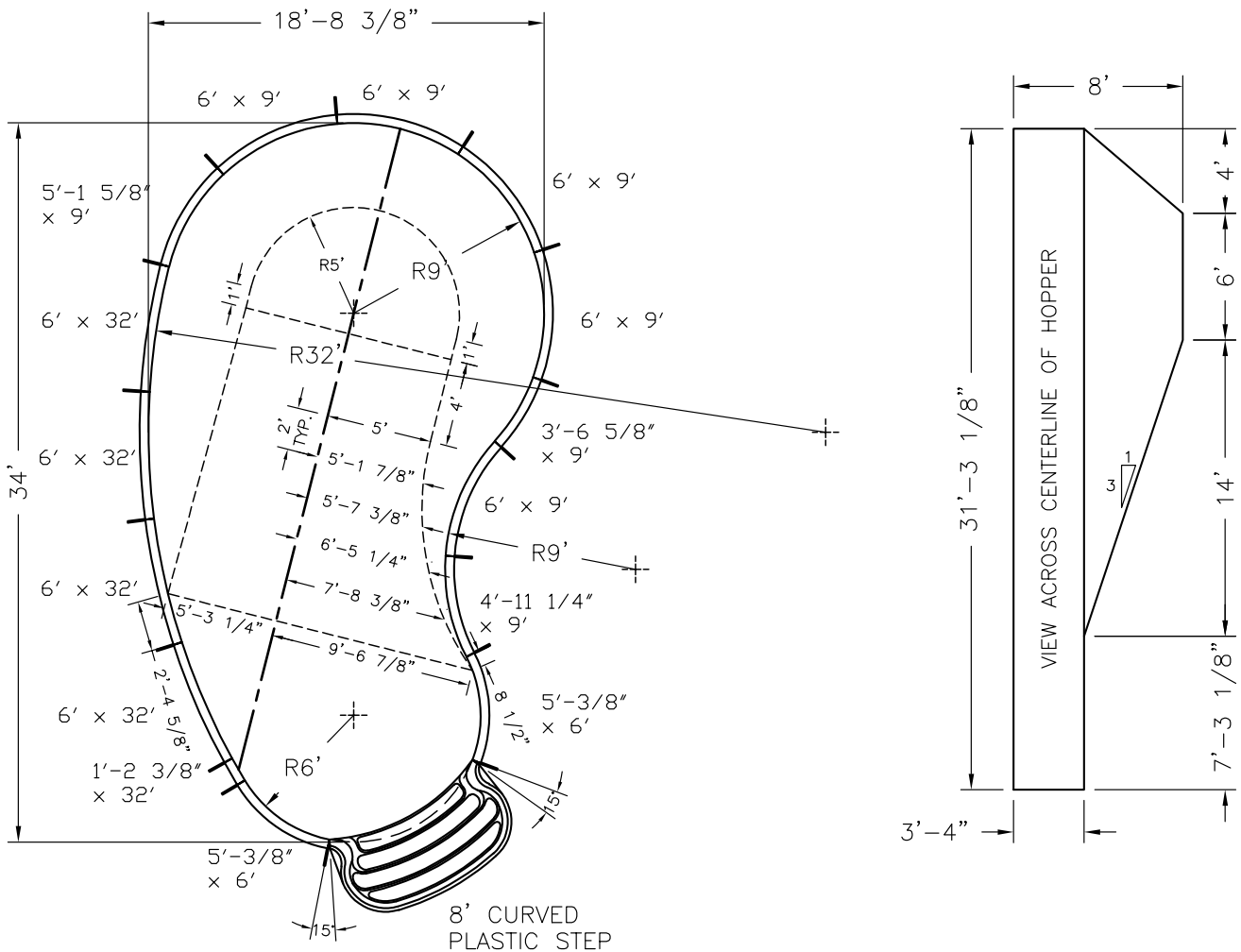
**Approx Gal:** 17,031

**Pool Number:** 1834KID (PLASTIC)

250 Route 61 South, Schuylkill Haven, PA 17972 • 570-385-4733 • fax: 570-385-1318 • CustomerService@CardinalSystemsinc.com

Bill of Materials

PART NO.	QUANTITY	DESCRIPTION
"A" FRAME	16	"A" FRAME ASSEMBLY
CS900GS-15	2	15° STEP ANGLE
5C42123XX32000	1	1'-2 3/8" x 32' Radius C PANEL W/0 Z
5C42365XX09000	1	3'-6 5/8" x 9' Radius C PANEL W/0 Z
5C42503XX06000	2	5'-3/8" x 6' Radius C PANEL W/0 Z
5C42515XX09000	1	5'-1 5/8" x 9' Radius C PANEL W/0 Z
5C42600XX09000	4	6' x 9' Radius C PANEL W/0 Z
5C42600XX32001	4	6' x 32' Radius C PANEL W/1 Z
5R424E2XX09000	1	4'-11 1/4" x 9' Radius R PANEL W/0 Z
5R42600XX09000	1	6' x 9' Radius R PANEL W/0 Z



<b>Date:</b> 5/10/2022	<b>Perimeter:</b> 86'-10 5/8"	
<b>Drawn By:</b> JESSE H	<b>Area:</b> 468.2 SQ. FT.	
<b>Scale:</b> 1/8" = 1'-0"	<b>Notes:</b> -----	

This information is the confidential property of Cardinal Systems, Inc. Disclosure or duplication without proper written approval is strictly prohibited. Acceptance and use of this drawing constitutes knowledge and acceptance by the user of the terms and conditions set forth in the notice and warning which accompanied this drawing is incorporated herein and made part hereof and is found on Cardinal Systems, Inc's website at www.CardinalSystemsInc.com



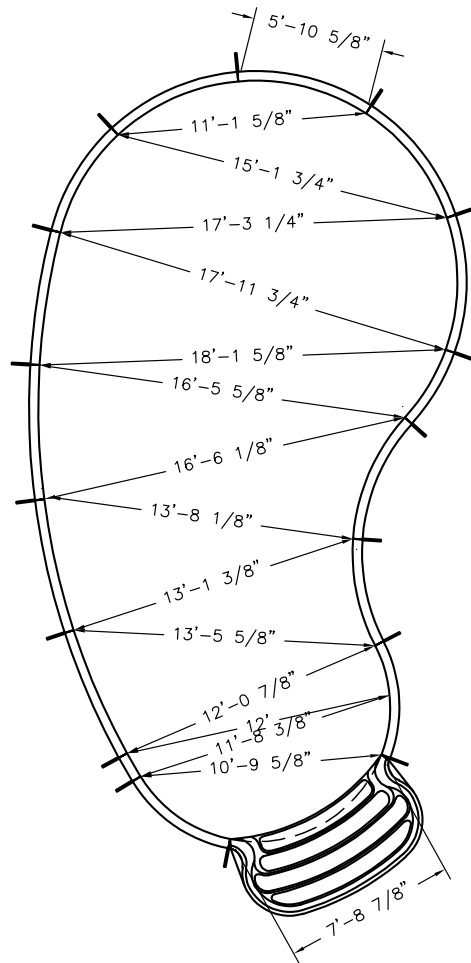
**Pool Size:** 18' X 34


**Pool Shape:** KIDNEY

**Approx Gal:** 17,031

**Pool Number:** 1834KID (PLASTIC)

250 Route 61 South, Schuylkill Haven, PA 17972 • 570-385-4733 • fax: 570-385-1318 • CustomerService@CardinalSystemsinc.com



<b>Date:</b> 5/10/2022	<b>Perimeter:</b> 86'-10 5/8"	 cardinalpools.com
<b>Drawn By:</b> JESSE H	<b>Area:</b> 468.2 SQ. FT.	
<b>Scale:</b> 1/8" = 1'-0"	<b>Notes:</b> -----	

This information is the confidential property of Cardinal Systems, Inc. Disclosure or duplication without proper written approval is strictly prohibited. Acceptance and use of this drawing constitutes knowledge and acceptance by the user of the terms and conditions set forth in the notice and warning which accompanied this drawing is incorporated herein and made part hereof and is found on Cardinal Systems, Inc's website at www.CardinalSystemsInc.com



**Pool Size:** 22' X 41'

**Pool Shape:** KIDNEY

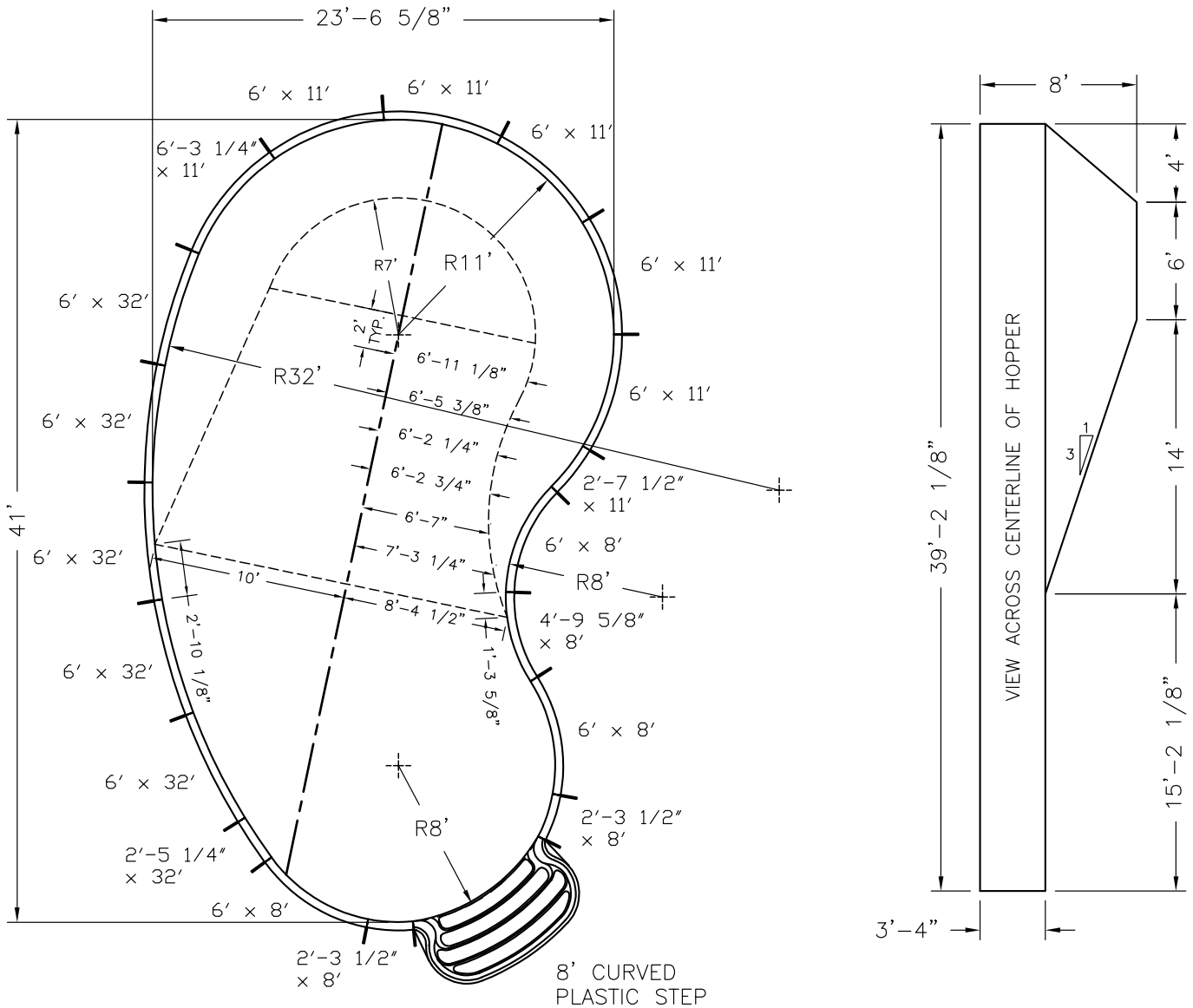
**Approx Gal:** 26,271


**Pool Number:** 2241KID (PLASTIC)

250 Route 61 South, Schuylkill Haven, PA 17972 • 570-385-4733 • fax: 570-385-1318 • CustomerService@CardinalSystemsInc.com

### Bill of Materials

PART NO.	QUANTITY	DESCRIPTION
"A" FRAME	20	"A" FRAME ASSEMBLY
5C42234XX08000	2	2'-3 1/2" x 8' Radius C PANEL W/O Z
5C42252XX32000	1	2'-5 1/4" x 32' Radius C PANEL W/O Z
5C42274XX11000	1	2'-7 1/2" x 11' Radius C PANEL W/O Z
5C42600XX08000	2	6' x 8' Radius C PANEL W/O Z
5C42600XX11000	5	6' x 11' Radius C PANEL W/O Z
5C42600XX32001	5	6' x 32' Radius C PANEL W/O Z
5C42632XX11000	1	6'-3 1/4" x 11' Radius C PANEL W/O Z
5R42495XX08000	1	4'-9 5/8" x 8' Radius R PANEL W/O Z
5R42600XX08000	1	6' x 8' Radius R PANEL W/O Z



<b>Date:</b> 5/10/2022	<b>Perimeter:</b> 106'-8 3/4"	 <small>cardinalpools.com</small>
<b>Drawn By:</b> JESSE H	<b>Area:</b> 722.2 SQ. FT.	
<b>Scale:</b> 1/8" = 1'-0"	<b>Notes:</b> -----	

This information is the confidential property of Cardinal Systems, Inc. Disclosure or duplication without proper written approval is strictly prohibited. Acceptance and use of this drawing constitutes knowledge and acceptance by the user of the terms and conditions set forth in the notice and warning which accompanied this drawing is incorporated herein and made part hereof and is found on Cardinal Systems, Inc's website at www.CardinalSystemsInc.com





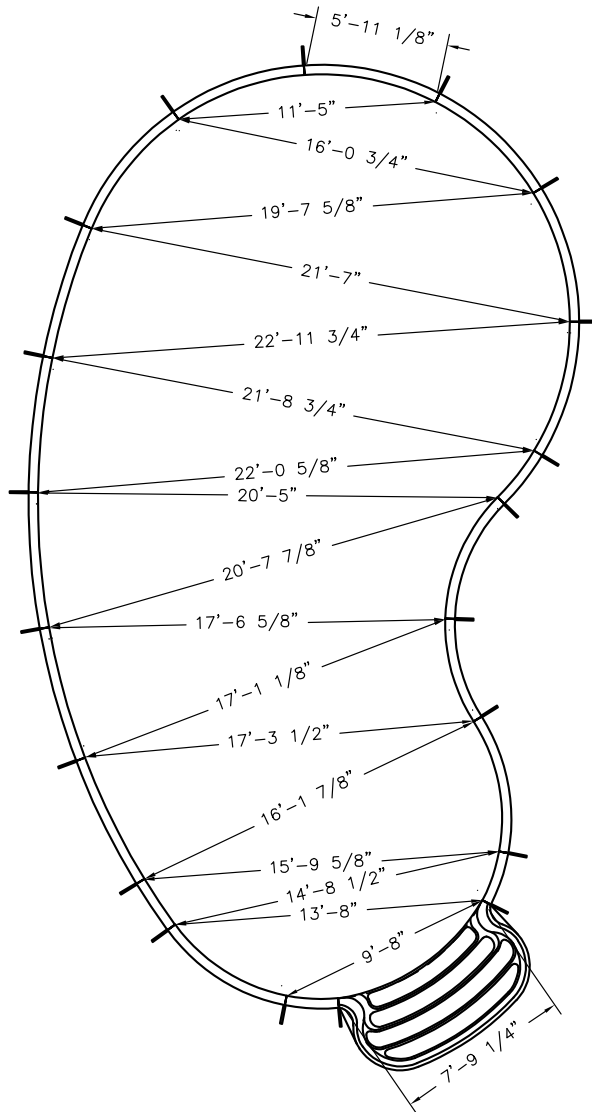
**Pool Size:** 22' X 41'

**Pool Shape:** KIDNEY

**Approx Gal:** 26,271

**Pool Number:** 2241KID (PLASTIC)

250 Route 61 South, Schuylkill Haven, PA 17972 • 570-385-4733 • fax: 570-385-1318 • CustomerService@CardinalSystemsinc.com



**Date:** 5/10/2022

**Perimeter:** 106'-8 3/4"

**Drawn By:** JESSE H

**Area:** 722.2 SQ. FT.

**Scale:** 1/8" = 1'-0"

**Notes:** - - - -



cardinalpools.com

This information is the confidential property of Cardinal Systems, Inc. Disclosure or duplication without proper written approval is strictly prohibited. Acceptance and use of this drawing constitutes knowledge and acceptance by the user of the terms and conditions set forth in the notice and warning which accompanied this drawing is incorporated herein and made part hereof and is found on Cardinal Systems, Inc's website at www.CardinalSystemsInc.com