

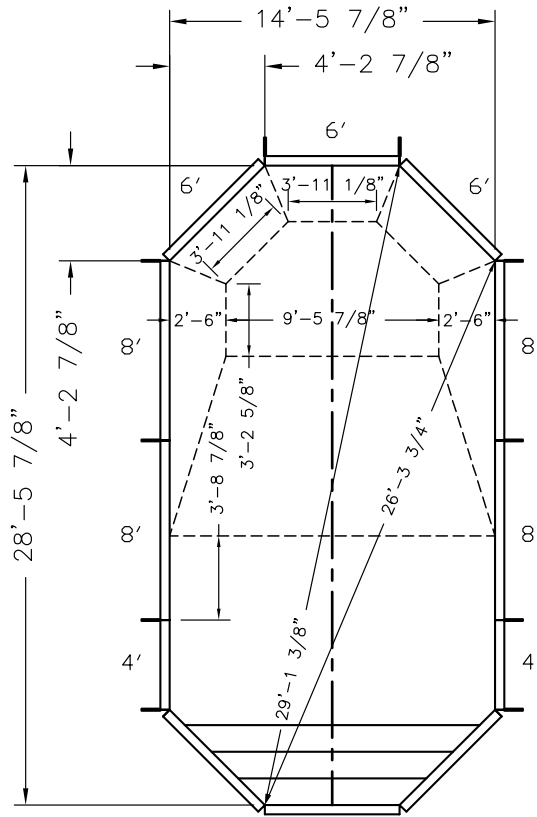


Pool Size: 14'-6" X 28'-6"
Pool Shape: GRECIAN **Approx Gal:** 15,629
Pool Number: 1428GREC (STEEL)

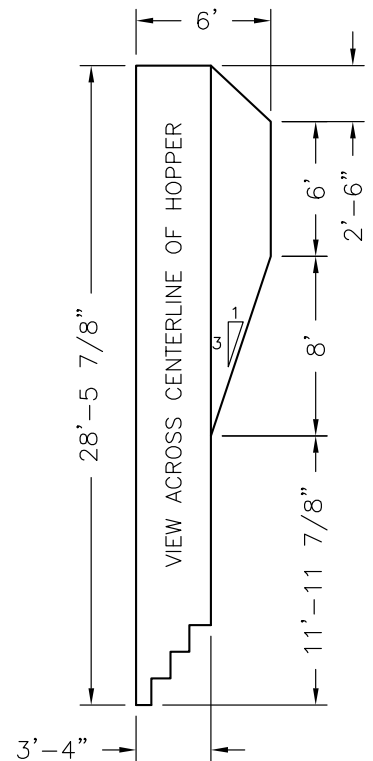
250 Route 61 South, Schuylkill Haven, PA 17972 • 570-385-4733 • fax: 570-385-1318 • CustomerService@CardinalSystemsinc.com

Bill of Materials

PART NO.	QUANTITY	DESCRIPTION
"A" FRAME	10	"A" FRAME ASSEMBLY
CS901GC	6	GRECIAN CORNER ANGLE
L3GX3146XXXXXC	1	14'-6" STEEL GRECIAN STEP W/LINER TRACK
5S42400XXX0	2	4' Straight PANEL W/0 Z
5S42600XXX1	3	6' Straight PANEL W/1 Z
5S42800XXX2	4	8' Straight PANEL W/2 Z



14'-6" STEEL
GRECIAN STEP
W/LINER TRACK
L3GX3146XXXXXC



NOTE: THIS IS A NON DIVING POOL.

Date: 5/10/2022	Perimeter: 76'-0"	
Drawn By: AUSTIN K	Area: 376.7 SQ. FT.	
Scale: 1/8" = 1'-0"	Notes: -----	

This information is the confidential property of Cardinal Systems, Inc. Disclosure or duplication without proper written approval is strictly prohibited. Acceptance and use of this drawing constitutes knowledge and acceptance by the user of the terms and conditions set forth in the notice and warning which accompanied this drawing is incorporated herein and made part hereof and is found on Cardinal Systems, Inc's website at www.CardinalSystemsInc.com

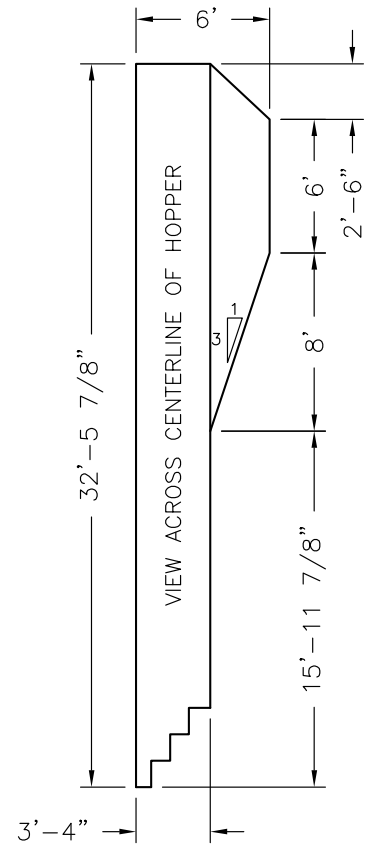
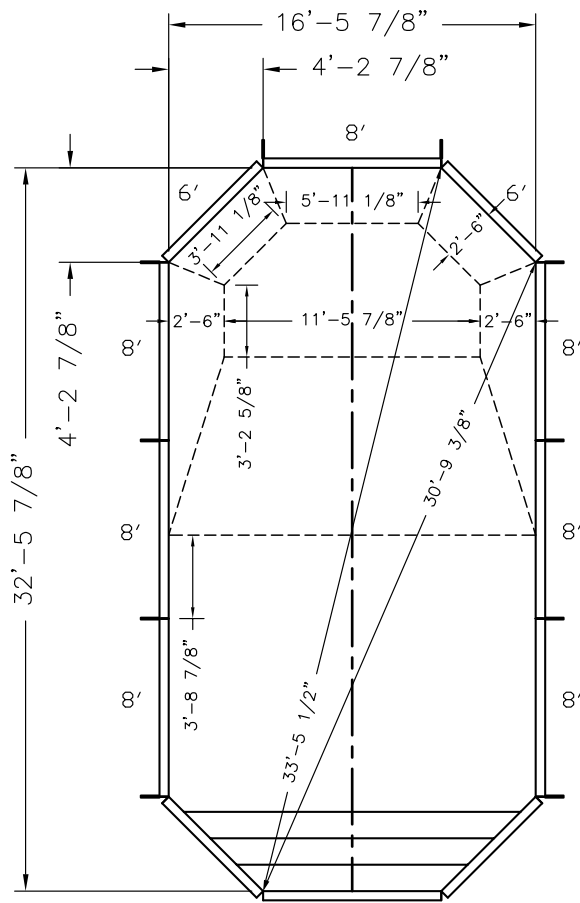


Pool Size: 16'-6" X 32'-6"
Pool Shape: GRECIAN **Approx Gal:** 15,925
Pool Number: 1632GREC (STEEL)


250 Route 61 South, Schuylkill Haven, PA 17972 • 570-385-4733 • fax: 570-385-1318 • CustomerService@CardinalSystemsinc.com

Bill of Materials

PART NO.	QUANTITY	DESCRIPTION
"A" FRAME	10	"A" FRAME ASSEMBLY
CS901GC	6	GRECIAN CORNER ANGLE
L3GX3166XXXXXXC	1	16'-6" STEEL GRECIAN STEP W/LINER TRACK
5S42600XXX1	2	6' Straight PANEL W/1 Z
5S42800XXX2	7	8' Straight PANEL W/2 Z



NOTE: THIS IS A NON DIVING POOL.

Date: 5/10/2022	Perimeter: 88'-0"	 <small>cardinalpools.com</small>
Drawn By: AUSTIN K	Area: 499.6 SQ. FT.	
Scale: 1/8" = 1'-0"	Notes: -----	

This Information Is the confidential property of Cardinal Systems, Inc. Disclosure or duplication without proper written approval is strictly prohibited. Acceptance and use of this drawing constitutes knowledge and acceptance by the user of the terms and conditions set forth in the notice and warning which accompanied this drawing is incorporated herein and made part hereof and is found on Cardinal Systems, Inc's website at www.CardinalSystemsInc.com

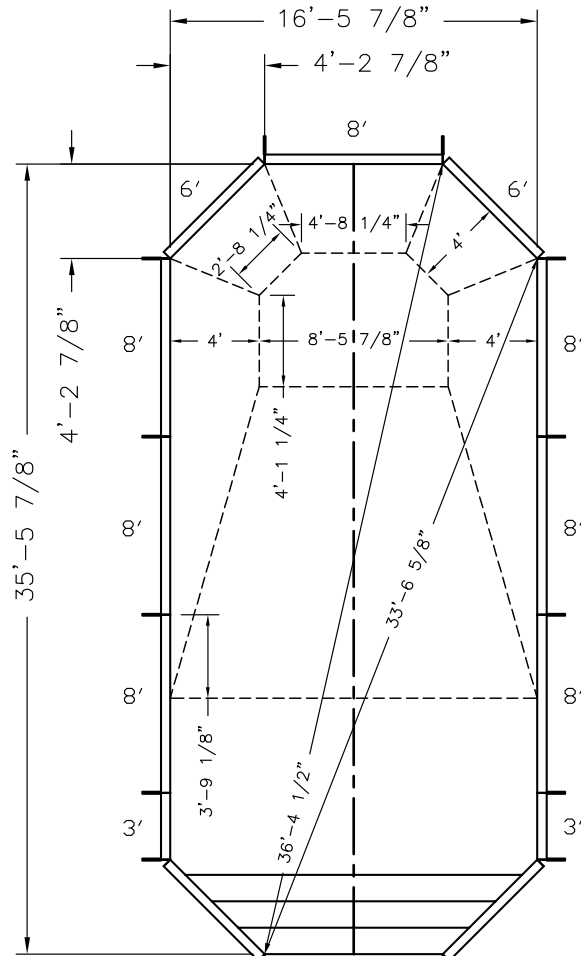


Pool Size: 16'-6" X 35'-6"
Pool Shape: GRECIAN **Approx Gal:** 19,970
Pool Number: 1635GREC (STEEL)

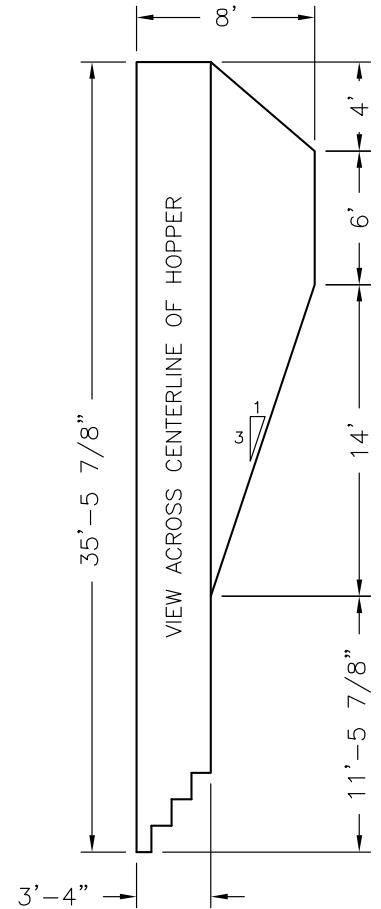
250 Route 61 South, Schuylkill Haven, PA 17972 • 570-385-4733 • fax: 570-385-1318 • CustomerService@CardinalSystemsinc.com

Bill of Materials


PART NO.	QUANTITY	DESCRIPTION
"A" FRAME	12	"A" FRAME ASSEMBLY
CS901GC	6	GRECIAN CORNER ANGLE
L3GX3166XXXXXXC	1	16'-6" STEEL GRECIAN STEP W/LINER TRACK
5S42300XXX0	2	3' Straight PANEL W/0 Z
5S42600XXX1	2	6' Straight PANEL W/1 Z
5S42800XXX2	7	8' Straight PANEL W/2 Z



16'-6" STEEL
GRECIAN STEP
W/LINER TRACK
L3GX3166XXXXXXC



NOTE: THIS IS A NON DIVING POOL.

Date: 5/10/2022	Perimeter: 94'-0"	 <small>cardinalpools.com</small>
Drawn By: AUSTIN K	Area: 549.0 SQ. FT.	
Scale: 1/8" = 1'-0"	Notes: -----	

This Information Is the confidential property of Cardinal Systems, Inc. Disclosure or duplication without proper written approval Is strictly prohibited. Acceptance and use of this drawing constitutes knowledge and acceptance by the user of the terms and conditions set forth In the notice and warning which accompanied this drawing Is Incorporated herein and made part hereof and Is found on Cardinal Systems, Inc's website at www.CardinalSystemsInc.com



Pool Size: 17' X 31'

Pool Shape: GRECIAN

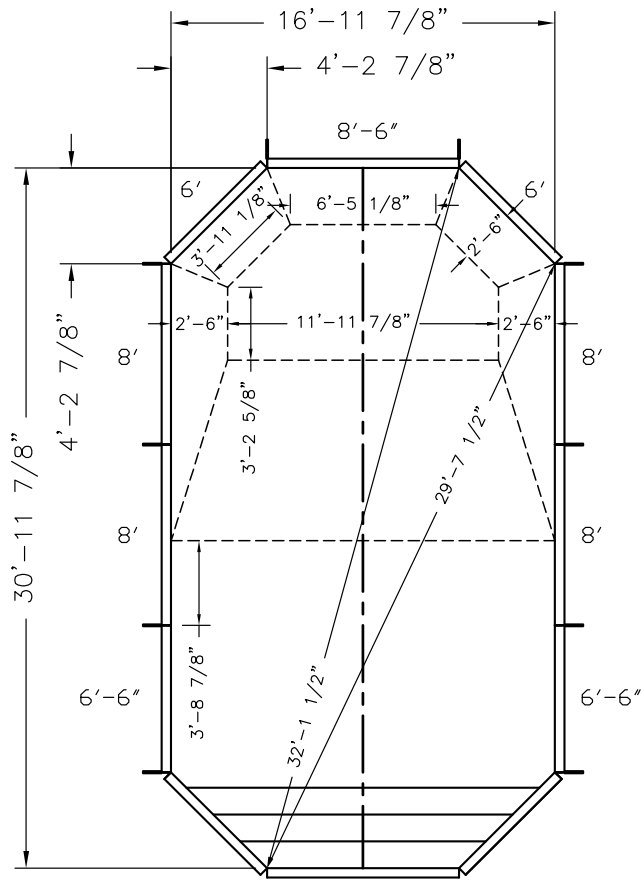
Approx Gal: 15,629

Pool Number: 1731GREC (STEEL)

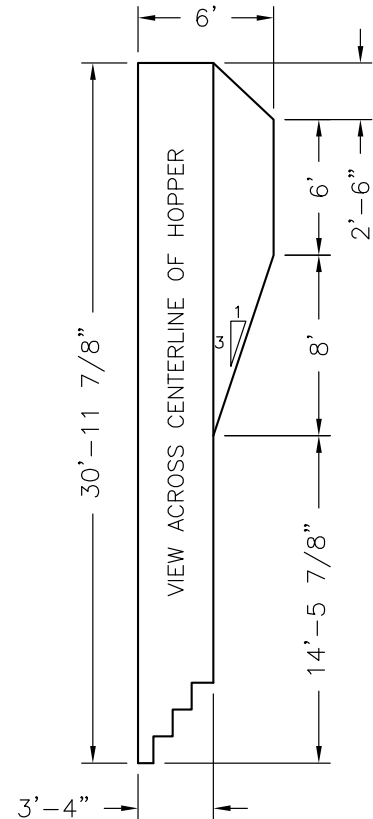
250 Route 61 South, Schuylkill Haven, PA 17972 • 570-385-4733 • fax: 570-385-1318 • CustomerService@CardinalSystemsInc.com

Bill of Materials


PART NO.	QUANTITY	DESCRIPTION
"A" FRAME	10	"A" FRAME ASSEMBLY
CS901GC	6	GRECIAN CORNER ANGLE
S1574EN34200XX0	1	17' STEEL GRECIAN STEP W/LINER TRACK
5S42600XXX1	2	6' Straight PANEL W/1 Z
5S42660XXX2	2	6'-6" Straight PANEL W/2 Z
5S42800XXX2	4	8' Straight PANEL W/2 Z
5S42860XXX2	1	8'-6" Straight PANEL W/2 Z



17' STEEL
GRECIAN STEP
W/LINER TRACK
S1574EN34200XX0



NOTE: THIS IS A NON DIVING POOL.

Date: 5/10/2022	Perimeter: 86'-0"	 <small>cardinalpools.com</small>
Drawn By: AUSTIN K	Area: 490.3 SQ. FT.	
Scale: 1/8" = 1'-0"	Notes: -----	

This information is the confidential property of Cardinal Systems, Inc. Disclosure or duplication without proper written approval is strictly prohibited. Acceptance and use of this drawing constitutes knowledge and acceptance by the user of the terms and conditions set forth in the notice and warning which accompanied this drawing is incorporated herein and made part hereof and is found on Cardinal Systems, Inc's website at www.CardinalSystemsInc.com

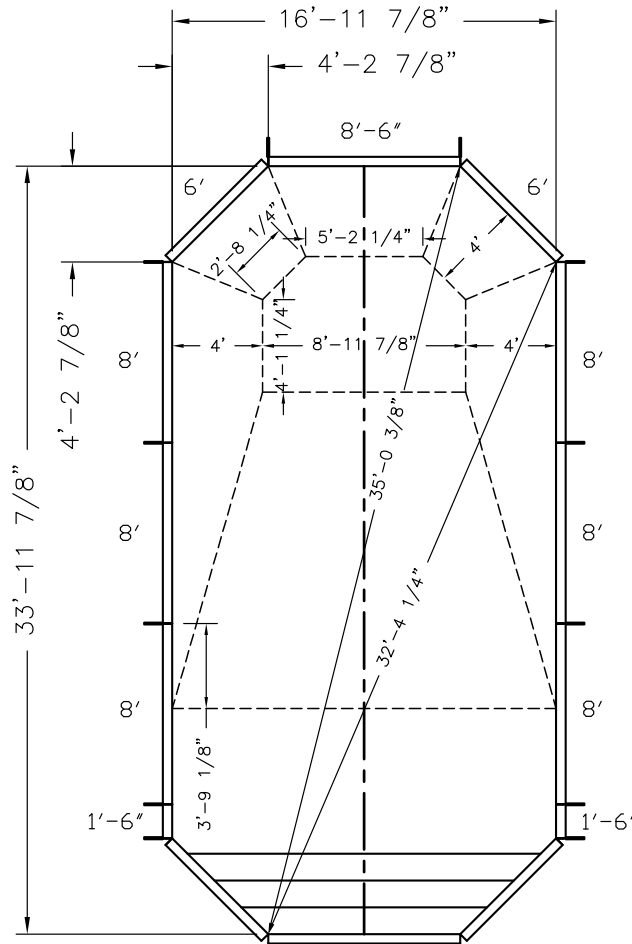


Pool Size: 17' X 34'
Pool Shape: GRECIAN **Approx Gal:** 19,690
Pool Number: 1734GREC (STEEL)

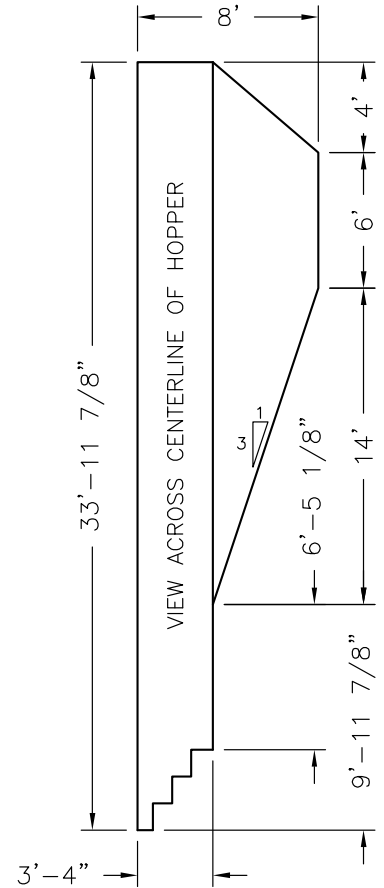
250 Route 61 South, Schuylkill Haven, PA 17972 • 570-385-4733 • fax: 570-385-1318 • CustomerService@CardinalSystemsInc.com

Bill of Materials

PART NO.	QUANTITY	DESCRIPTION
"A" FRAME	12	"A" FRAME ASSEMBLY
CS901GC	6	GRECIAN CORNER ANGLE
S1574EN34200XX0	1	17' STEEL GRECIAN STEP W/LINER TRACK
5S42160XXX0	2	1'-6" Straight PANEL W/0 Z
5S42600XXX1	2	6' Straight PANEL W/1 Z
5S42800XXX2	6	8' Straight PANEL W/2 Z
5S42860XXX2	1	8'-6" Straight PANEL W/2 Z



17' STEEL
GRECIAN STEP
W/LINER TRACK
S1574EN34200XX0



Date: 5/10/2022	Perimeter: 92'-0"
Drawn By: AUSTIN K	Area: 541.3 SQ. FT.
Scale: 1/8" = 1'-0"	Notes: - - - -



cardinalpools.com

This information is the confidential property of Cardinal Systems, Inc. Disclosure or duplication without proper written approval is strictly prohibited. Acceptance and use of this drawing constitutes knowledge and acceptance by the user of the terms and conditions set forth in the notice and warning which accompanied this drawing is incorporated herein and made part hereof and is found on Cardinal Systems, Inc's website at www.CardinalSystemsInc.com



Pool Size: 18'-6" X 36'

Pool Shape: GRECIAN

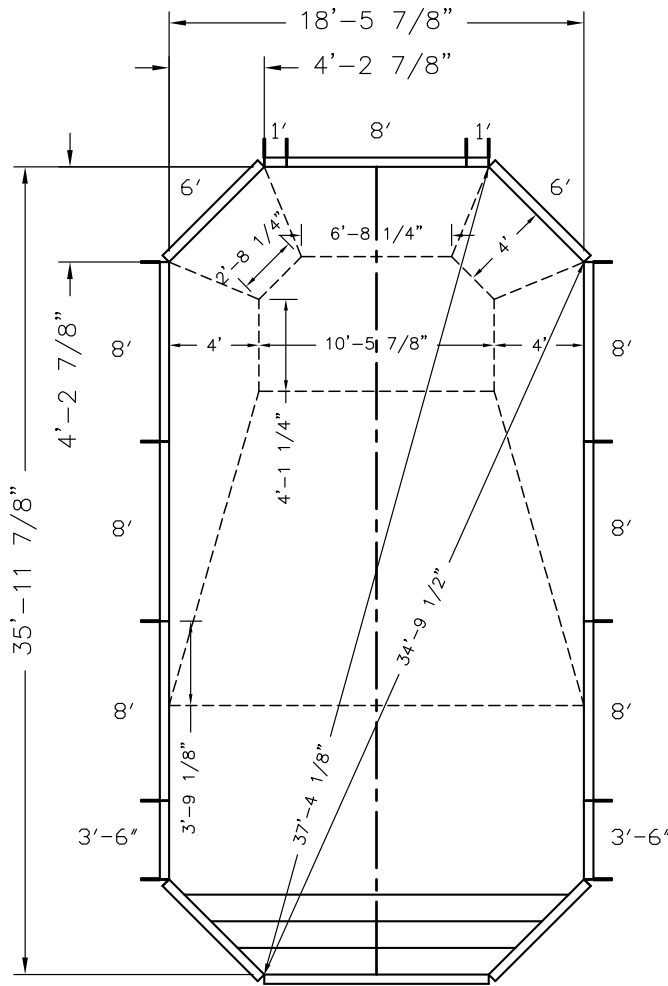
Approx Gal: 22,888

Pool Number: 1836GREC (STEEL)

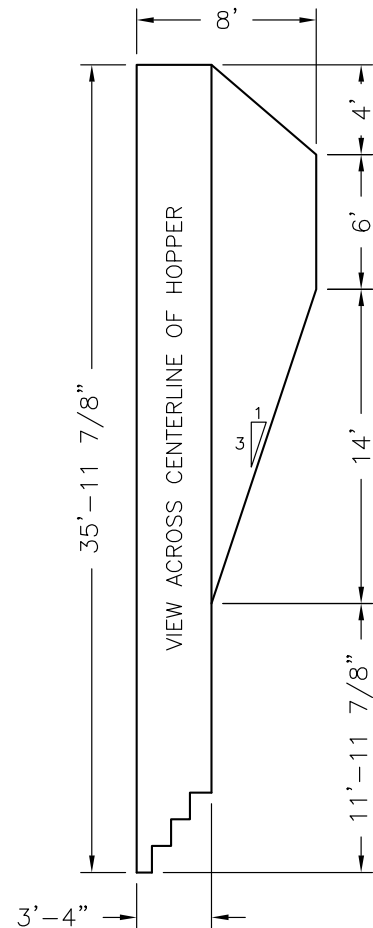
250 Route 61 South, Schuylkill Haven, PA 17972 • 570-385-4733 • fax: 570-385-1318 • CustomerService@CardinalSystemsinc.com

Bill of Materials

PART NO.	QUANTITY	DESCRIPTION
"A" FRAME	14	"A" FRAME ASSEMBLY
CS901GC	6	GRECIAN CORNER ANGLE
L3GX3186XXXXXC	1	18'-6" STEEL GRECIAN STEP W/LINER TRACK
5S42100XXX0	2	1' Straight PANEL W/0 Z
5S42360XXX0	2	3'-6" Straight PANEL W/0 Z
5S42600XXX1	2	6' Straight PANEL W/1 Z
5S42800XXX2	7	8' Straight PANEL W/2 Z



18'-6" STEEL
GRECIAN STEP
W/LINER TRACK
L3GX3186XXXXXC



VIEW ACROSS CENTERLINE OF HOPPER

Date: 5/10/2022

Perimeter: 99'-0"

Drawn By: AUSTIN K

Area: 629.2 SQ. FT.

Scale: 1/8" = 1'-0"

Notes: - - - -



cardinalpools.com

This Information is the confidential property of Cardinal Systems, Inc. Disclosure or duplication without proper written approval is strictly prohibited. Acceptance and use of this drawing constitutes knowledge and acceptance by the user of the terms and conditions set forth in the notice and warning which accompanied this drawing is incorporated herein and made part hereof and is found on Cardinal Systems, Inc's website at www.CardinalSystemsInc.com

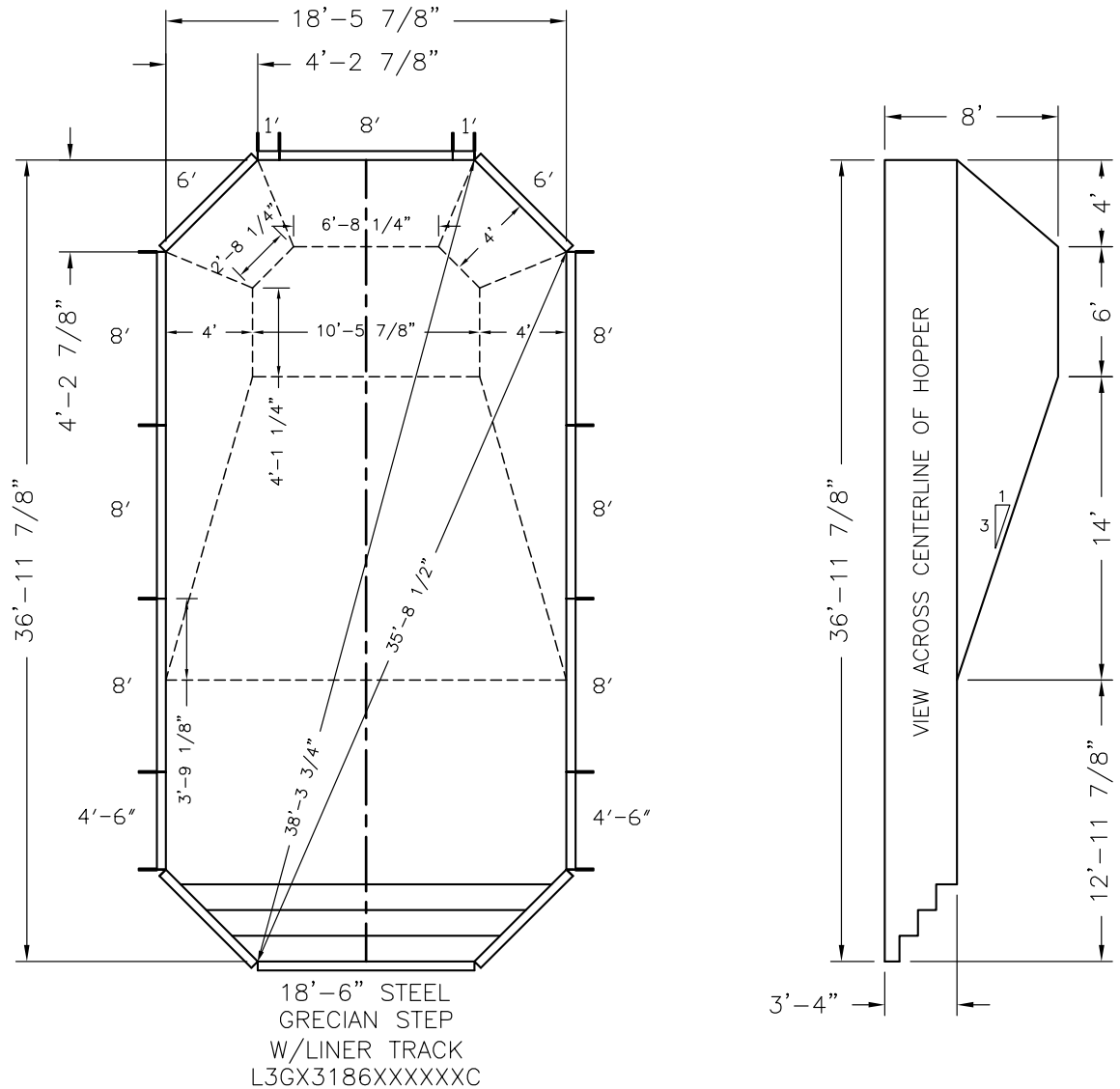


Pool Size: 18'-6" X 37'
Pool Shape: GRECIAN **Approx Gal:** 23,561
Pool Number: 1837GREC (STEEL)

250 Route 61 South, Schuylkill Haven, PA 17972 • 570-385-4733 • fax: 570-385-1318 • CustomerService@CardinalSystemsinc.com

Bill of Materials

PART NO.	QUANTITY	DESCRIPTION
"A" FRAME	14	"A" FRAME ASSEMBLY
CS901GC	6	GRECIAN CORNER ANGLE
L3GX3186XXXXXXC	1	18'-6" STEEL GRECIAN STEP W/LINER TRACK
5S42100XXX0	2	1' Straight PANEL W/0 Z
5S42460XXX0	2	4'-6" Straight PANEL W/0 Z
5S42600XXX1	2	6' Straight PANEL W/1 Z
5S42800XXX2	7	8' Straight PANEL W/2 Z



Date: 5/10/2022	Perimeter: 101'-0"
Drawn By: AUSTIN K	Area: 647.7 SQ. FT.
Scale: 1/8" = 1'-0"	Notes: -----



This information is the confidential property of Cardinal Systems, Inc. Disclosure or duplication without proper written approval is strictly prohibited. Acceptance and use of this drawing constitutes knowledge and acceptance by the user of the terms and conditions set forth in the notice and warning which accompanied this drawing is incorporated herein and made part hereof and is found on Cardinal Systems, Inc's website at www.CardinalSystemsInc.com



Pool Size: 20' X 40'

Pool Shape: GRECIAN

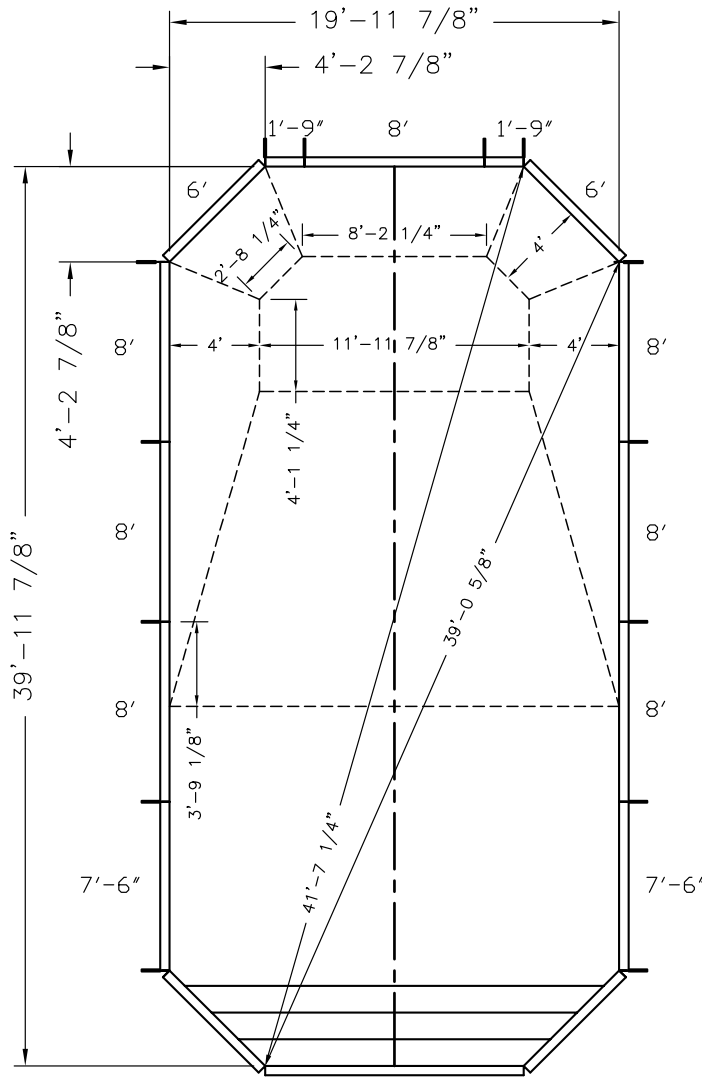
Approx Gal: 27,762

Pool Number: 2040GREC (STEEL)

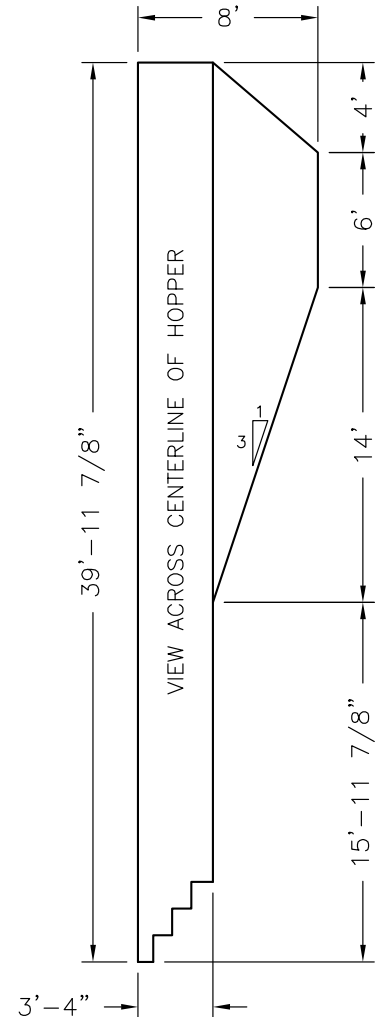
250 Route 61 South, Schuylkill Haven, PA 17972 • 570-385-4733 • fax: 570-385-1318 • CustomerService@CardinalSystemsinc.com

Bill of Materials

PART NO.	QUANTITY	DESCRIPTION
"A" FRAME	14	"A" FRAME ASSEMBLY
CS901GC	6	GRECIAN CORNER ANGLE
S1874EN34200XX0	1	20' STEEL GRECIAN STEP W/LINER TRACK
5S42190XXX0	2	1'-9" Straight PANEL w/0 Z
5S42600XXX1	2	6" Straight PANEL w/1 Z
5S42760XXX2	2	1'-6" Straight PANEL w/2 Z
5S42800XXX2	7	8" Straight PANEL w/2 Z



20' STEEL
GRECIAN STEP
W/LINER TRACK
S1874EN34200XX0



Date: 5/10/2022

Perimeter: 110'-0"

Drawn By: AUSTIN K

Area: 763.2 SQ. FT.

Scale: 1/8" = 1'-0"

Notes: -----



cardinalpools.com

This information is the confidential property of Cardinal Systems, Inc. Disclosure or duplication without proper written approval is strictly prohibited. Acceptance and use of this drawing constitutes knowledge and acceptance by the user of the terms and conditions set forth in the notice and warning which accompanied this drawing is incorporated herein and made part hereof and is found on Cardinal Systems, Inc's website at www.CardinalSystemsInc.com



Pool Size: 14'-6" X 28'-6"

Pool Shape: GRECIAN

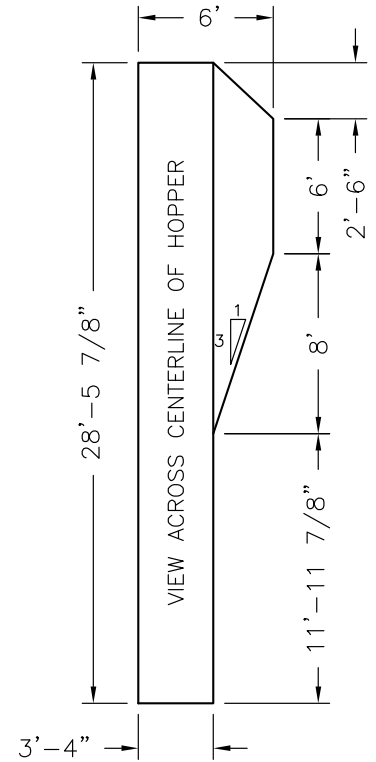
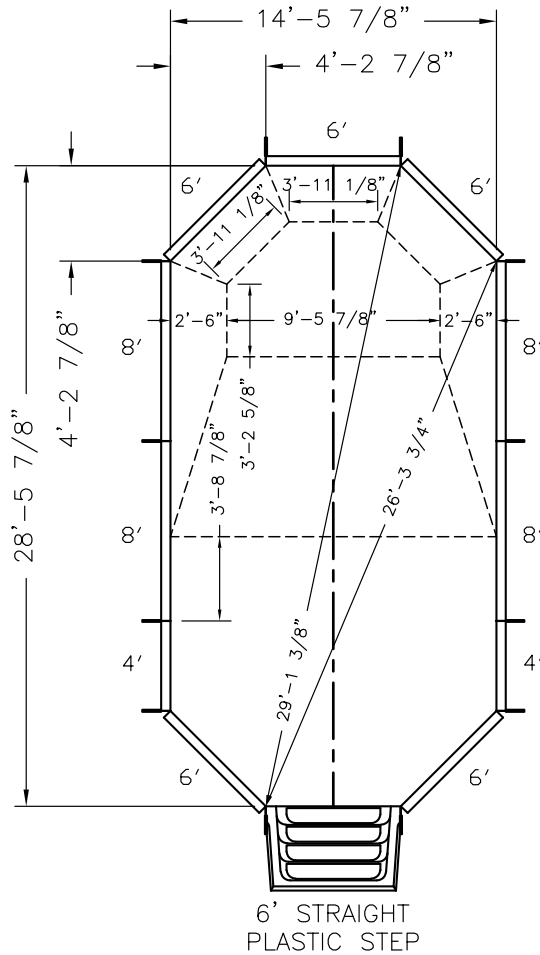
Approx Gal: 12,008

Pool Number: 1428GREC (PLASTIC)

250 Route 61 South, Schuylkill Haven, PA 17972 • 570-385-4733 • fax: 570-385-1318 • CustomerService@CardinalSystemsinc.com

Bill of Materials

PART NO.	QUANTITY	DESCRIPTION
"A" FRAME	12	"A" FRAME ASSEMBLY
CS900GS	2	GRECIAN STEP ASSEMBLY
CS901GC	6	GRECIAN CORNER ANGLE
5S42400XXX0	2	4' Straight PANEL W/0 Z
5S42600XXX1	5	6' Straight PANEL W/1 Z
5S42800XXX2	4	8' Straight PANEL W/2 Z



NOTE: THIS IS A NON DIVING POOL.

Date: 5/10/2022

Perimeter: 76'-0"

Drawn By: AUSTIN K

Area: 376.7 SQ. FT.

Scale: 1/8" = 1'-0"

Notes: - - - -



cardinalpools.com

This Information Is the confidential property of Cardinal Systems, Inc. Disclosure or duplication without proper written approval Is strictly prohibited. Acceptance and use of this drawing constitutes knowledge and acceptance by the user of the terms and conditions set forth in the notice and warning which accompanied this drawing is incorporated herein and made part hereof and Is found on Cardinal Systems, Inc's website at www.CardinalSystemsInc.com

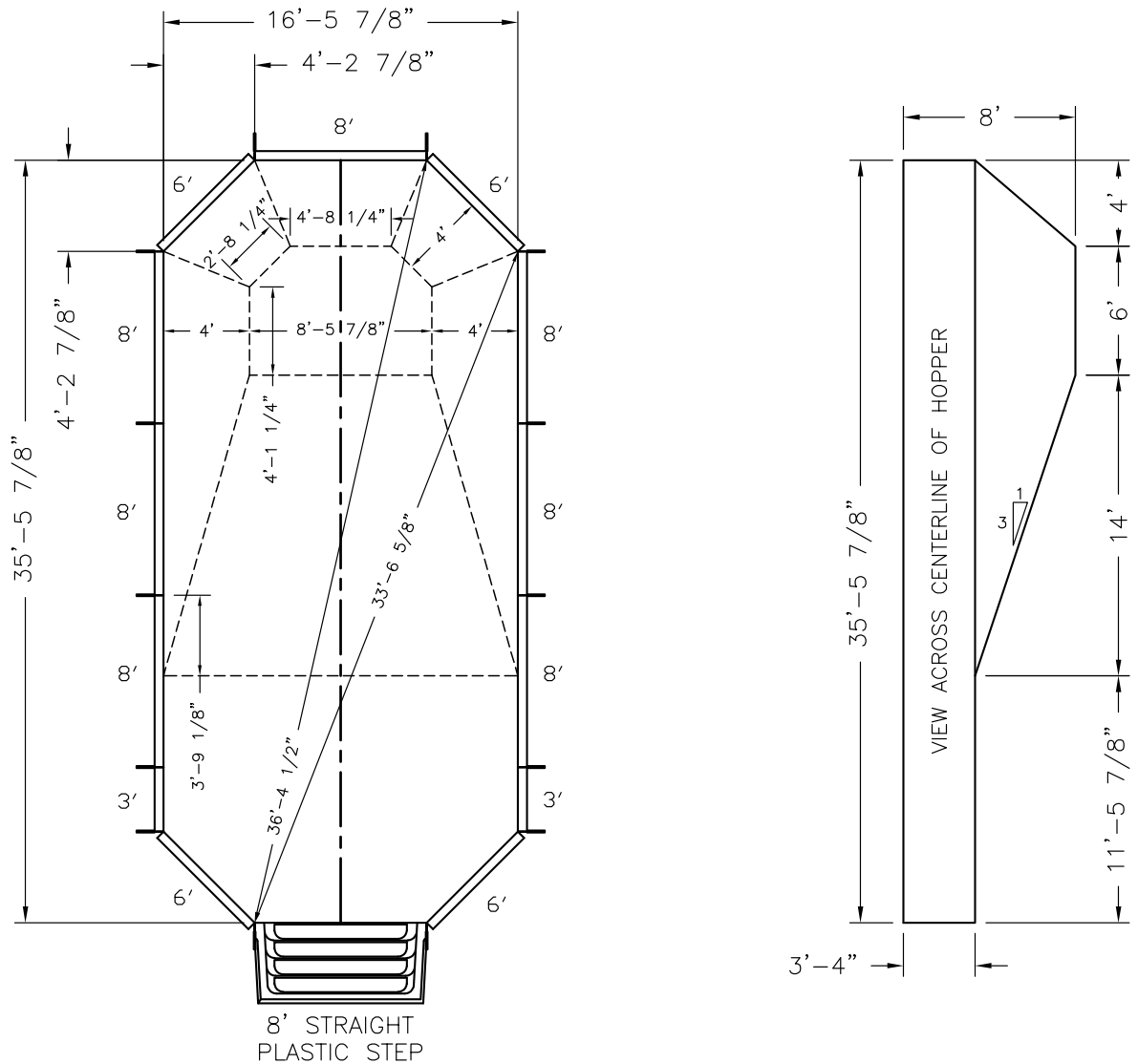


Pool Size: 16'-6" X 35'-6"
Pool Shape: GRECIAN **Approx Gal:** 19,970
Pool Number: 1635GREC (PLASTIC)

250 Route 61 South, Schuylkill Haven, PA 17972 • 570-385-4733 • fax: 570-385-1318 • CustomerService@CardinalSystemsinc.com

Bill of Materials

PART NO.	QUANTITY	DESCRIPTION
"A" FRAME	14	"A" FRAME ASSEMBLY
CS900GS	2	GRECIAN STEP ANGLE
CS901GC	6	GRECIAN CORNER ANGLE
5S42300XXX0	2	3' Straight PANEL W/0 Z
5S42600XXX1	4	6' Straight PANEL W/1 Z
5S42800XXX2	7	8' Straight PANEL W/2 Z



Date: 5/11/2022	Perimeter: 94'-0"	
Drawn By: AUSTIN K	Area: 549.0 SQ. FT.	
Scale: 1/8" = 1'-0"	Notes: -----	

This Information Is the confidential property of Cardinal Systems, Inc. Disclosure or duplication without proper written approval is strictly prohibited. Acceptance and use of this drawing constitutes knowledge and acceptance by the user of the terms and conditions set forth in the notice and warning which accompanied this drawing is incorporated herein and made part hereof and is found on Cardinal Systems, Inc's website at www.CardinalSystemsInc.com



Pool Size: 17' X 31'

Pool Shape: GRECIAN

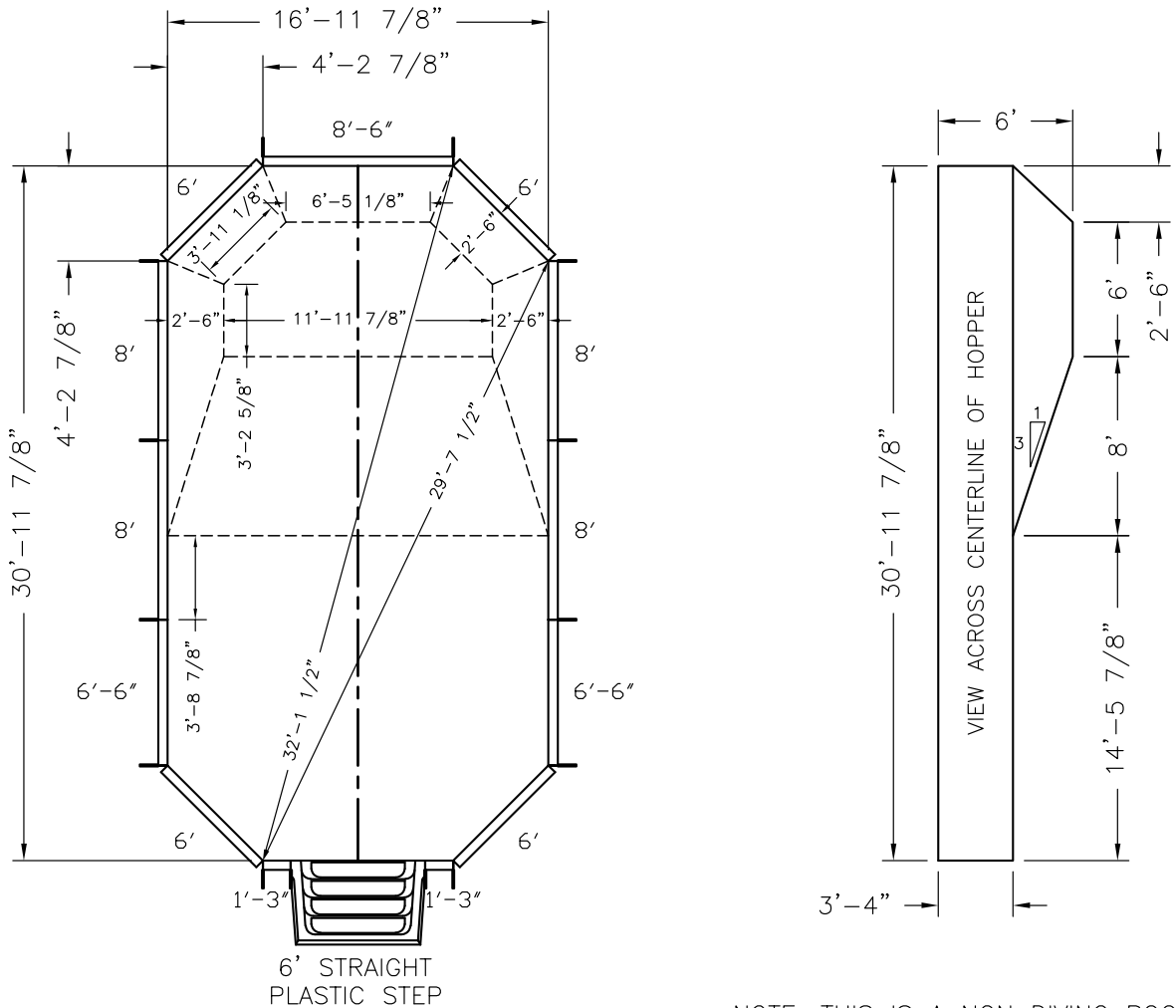
Approx Gal: 15,629

Pool Number: 1731GREC (PLASTIC)

250 Route 61 South, Schuylkill Haven, PA 17972 • 570-385-4733 • fax: 570-385-1318 • CustomerService@CardinalSystemsinc.com

Bill of Materials

PART NO.	QUANTITY	DESCRIPTION
"A" FRAME	14	"A" FRAME ASSEMBLY
CS901GC	8	GRECIAN CORNER ANGLE
5S42130XXX0	2	1'-3" Straight PANEL W/0 Z
5S42600XXX1	4	6' Straight PANEL W/1 Z
5S42660XXX2	2	6'-6" Straight PANEL W/2 Z
5S42800XXX2	4	8' Straight PANEL W/2 Z
5S42860XXX2	1	8'-6" Straight PANEL W/2 Z



NOTE: THIS IS A NON DIVING POOL.

Date: 5/10/2022	Perimeter: 86'-0"	
Drawn By: AUSTIN K	Area: 490.3 SQ. FT.	
Scale: 1/8" = 1'-0"	Notes: - - - -	

This information is the confidential property of Cardinal Systems, Inc. Disclosure or duplication without proper written approval is strictly prohibited. Acceptance and use of this drawing constitutes knowledge and acceptance by the user of the terms and conditions set forth in the notice and warning which accompanied this drawing is incorporated herein and made part hereof and is found on Cardinal Systems, Inc.'s website at www.CardinalSystemsInc.com



Pool Size: 17' X 34'

Pool Shape: GRECIAN

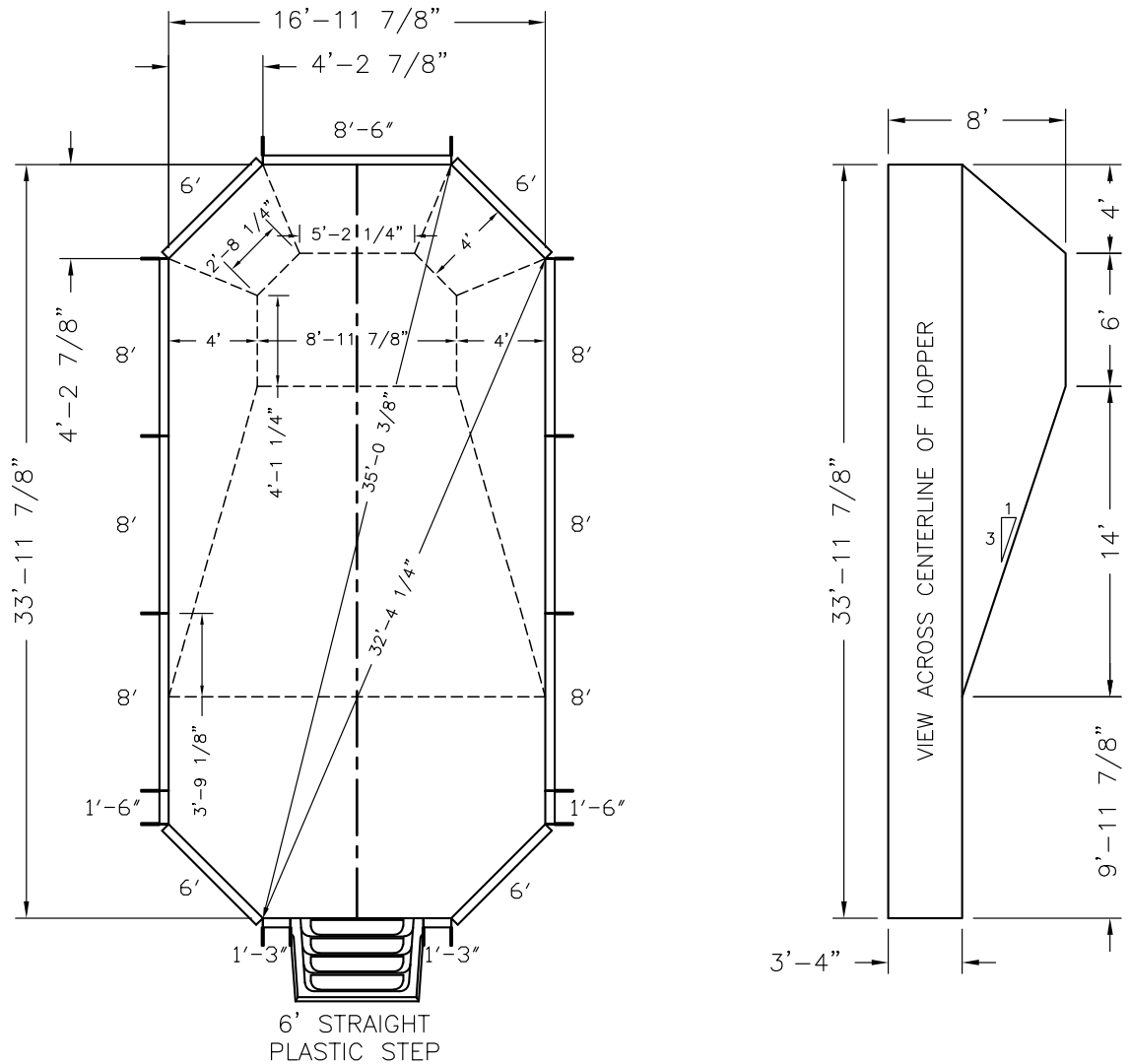
Approx Gal: 19,690

Pool Number: 1734GREC (PLASTIC)

250 Route 61 South, Schuylkill Haven, PA 17972 • 570-385-4733 • fax: 570-385-1318 • CustomerService@CardinalSystemsinc.com

Bill of Materials

PART NO.	QUANTITY	DESCRIPTION
"A" FRAME	16	"A" FRAME ASSEMBLY
CS901GC	8	GRECIAN CORNER ANGLE
5S42130XXX0	2	1'-3" Straight PANEL W/0 Z
5S42160XXX0	2	1'-6" Straight PANEL W/0 Z
5S42600XXX1	4	6' Straight PANEL W/1 Z
5S42800XXX2	6	8' Straight PANEL W/2 Z
5S42860XXX2	1	8'-6" Straight PANEL W/2 Z



Date: 5/10/2022	Perimeter: 92'-0"	
Drawn By: AUSTIN K	Area: 541.3 SQ. FT.	
Scale: 1/8" = 1'-0"	Notes: -----	

This information is the confidential property of Cardinal Systems, Inc. Disclosure or duplication without proper written approval is strictly prohibited. Acceptance and use of this drawing constitutes knowledge and acceptance by the user of the terms and conditions set forth in the notice and warning which accompanied this drawing is incorporated herein and made part hereof and is found on Cardinal Systems, Inc's website at www.CardinalSystemsInc.com

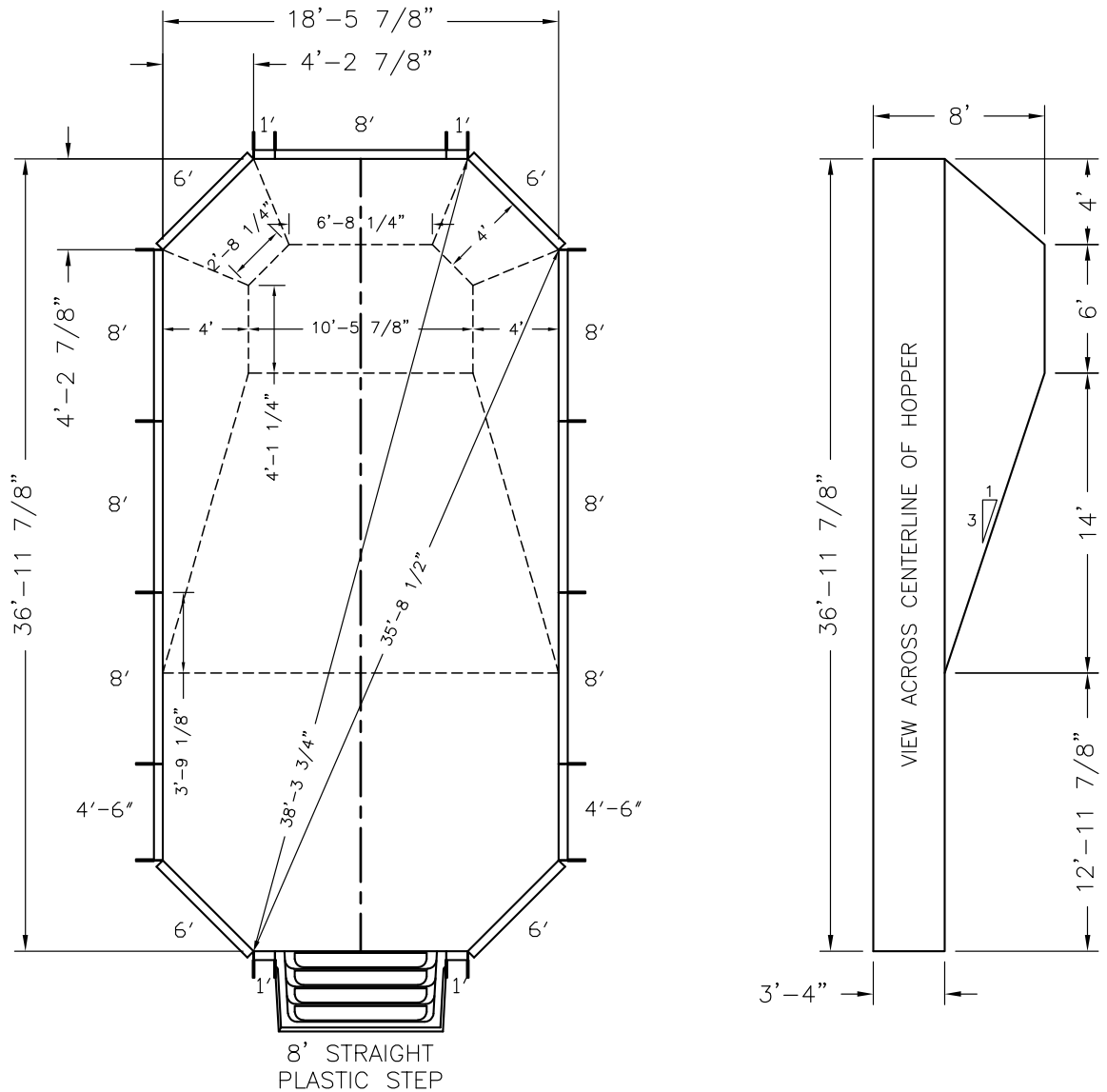



Pool Size: 18'-6" X 37'
Pool Shape: GRECIAN **Approx Gal:** 23,561
Pool Number: 1837GREC (PLASTIC)

250 Route 61 South, Schuylkill Haven, PA 17972 • 570-385-4733 • fax: 570-385-1318 • CustomerService@CardinalSystemsinc.com

Bill of Materials

PART NO.	QUANTITY	DESCRIPTION
"A" FRAME	18	"A" FRAME ASSEMBLY
CS901GC	8	GRECIAN CORNER ANGLE
5S42100XXX0	4	1' Straight PANEL W/0 Z
5S42460XXX0	2	4'-6" Straight PANEL W/0 Z
5S42600XXX1	4	6' Straight PANEL W/1 Z
5S42800XXX2	7	8' Straight PANEL W/2 Z



Date: 5/10/2022	Perimeter: 101'-0"	 <small>cardinalpools.com</small>
Drawn By: AUSTIN K	Area: 647.7 SQ. FT.	
Scale: 1/8" = 1'-0"	Notes: -----	

This Information Is the confidential property of Cardinal Systems, Inc. Disclosure or duplication without proper written approval is strictly prohibited. Acceptance and use of this drawing constitutes knowledge and acceptance by the user of the terms and conditions set forth in the notice and warning which accompanied this drawing is incorporated herein and made part hereof and is found on Cardinal Systems, Inc's website at www.CardinalSystemsInc.com



Pool Size: 20' X 40'

Pool Shape: GRECIAN

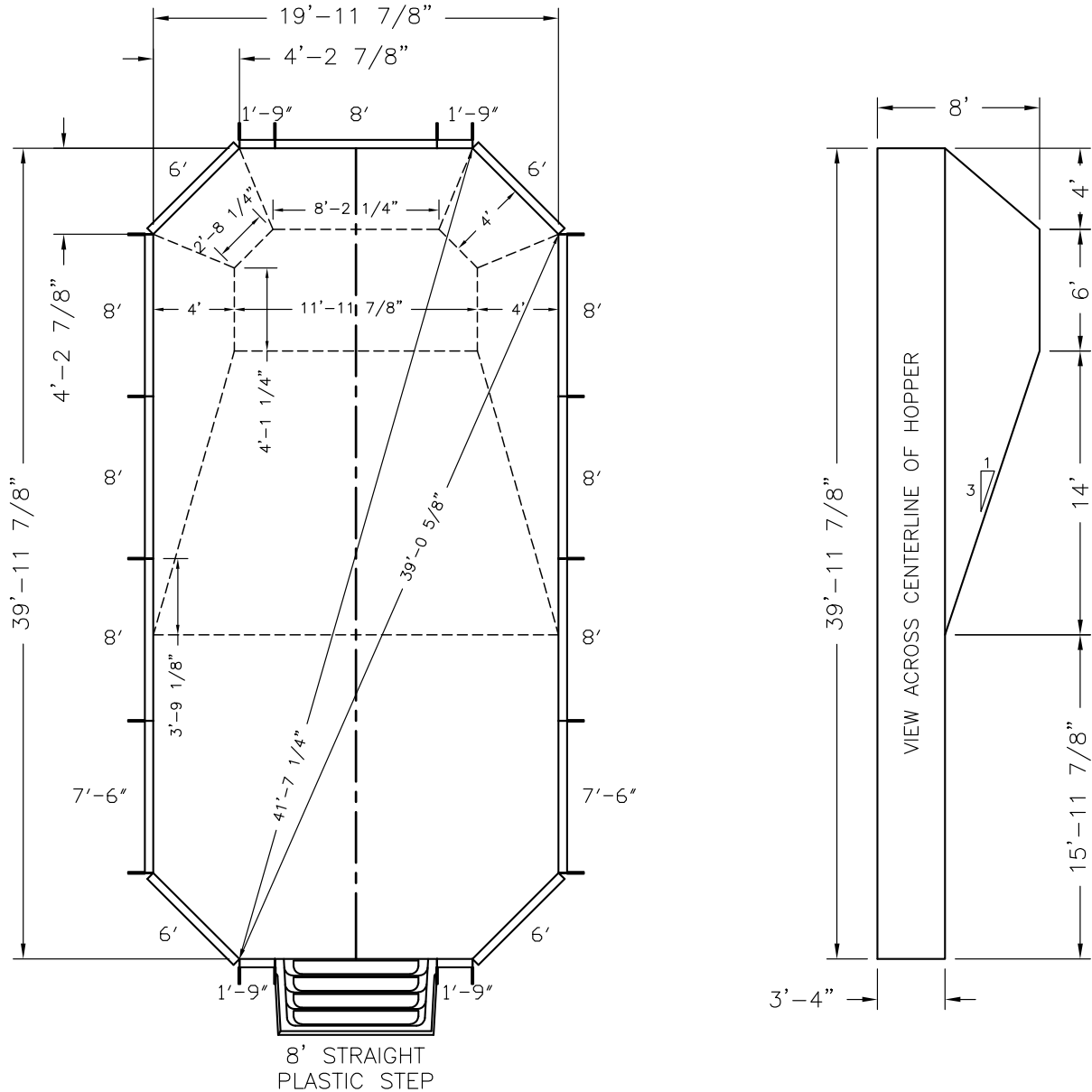
Approx Gal: 27,762

Pool Number: 2040GREC (PLASTIC)

250 Route 61 South, Schuylkill Haven, PA 17972 • 570-385-4733 • fax: 570-385-1318 • CustomerService@CardinalSystemsinc.com

Bill of Materials

PART NO.	QUANTITY	DESCRIPTION
"A" FRAME	18	"A" FRAME ASSEMBLY
CS901GC	8	GRECIAN CORNER ANGLE
5S42190XXX0	4	1'-9" Straight PANEL W/0 Z
5S42600XXX1	4	6' Straight PANEL W/1 Z
5S42760XXX2	2	7'-6" Straight PANEL W/2 Z
5S42800XXX2	7	8' Straight PANEL W/2 Z



Date: 5/10/2022

Perimeter: 110'-0"

Drawn By: AUSTIN K

Area: 763.2 SQ. FT.

Scale: 1/8" = 1'-0"

Notes: -----



cardinalpools.com

This information is the confidential property of Cardinal Systems, Inc. Disclosure or duplication without proper written approval is strictly prohibited. Acceptance and use of this drawing constitutes knowledge and acceptance by the user of the terms and conditions set forth in the notice and warning which accompanied this drawing is incorporated herein and made part hereof and is found on Cardinal Systems, Inc's website at www.CardinalSystemsinc.com