

DOUBLE ROMAN END

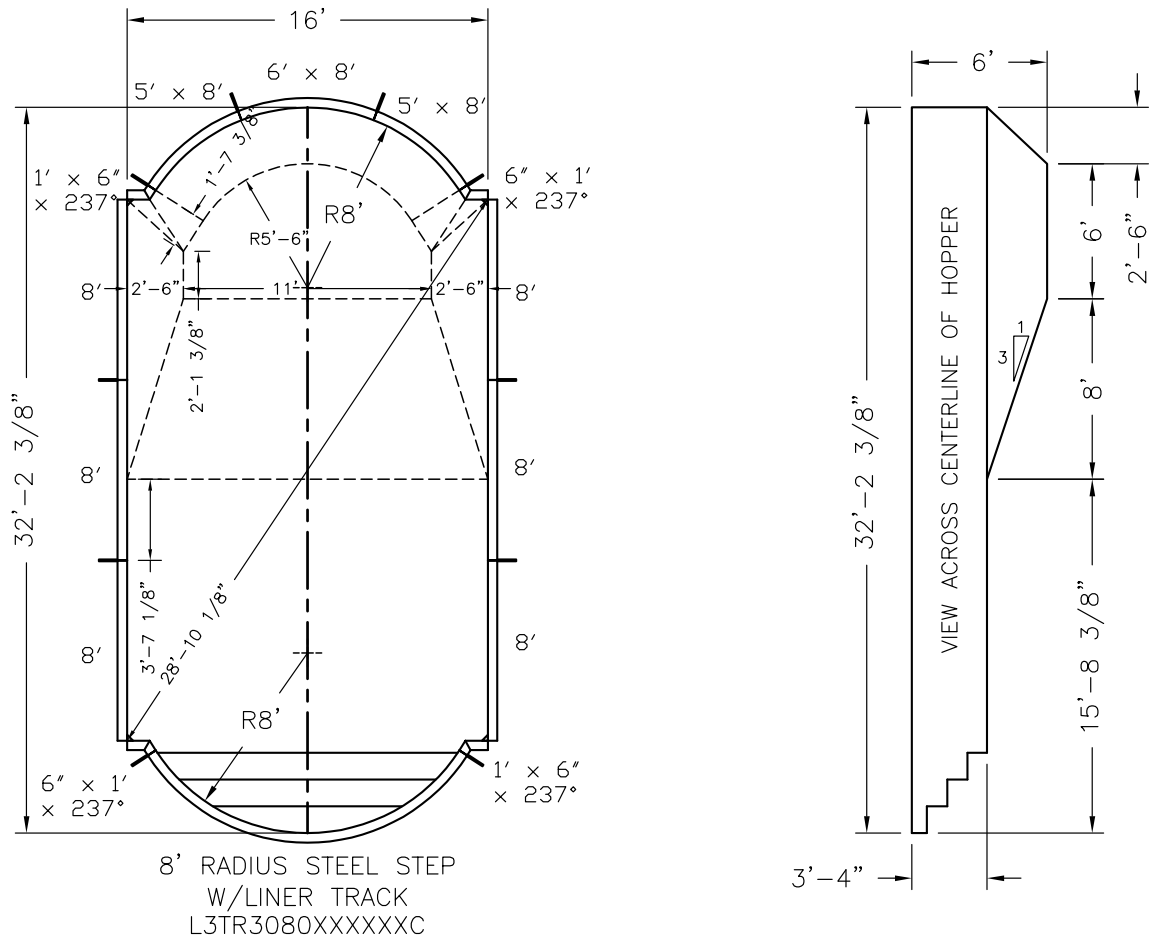


Pool Size: 16' X 32' **Approx Gal:** 14,835
Pool Shape: DOUBLE ROMAN END
Pool Number: 1632DRE - 6 (STEEL)

250 Route 61 South, Schuylkill Haven, PA 17972 • 570-385-4733 • fax: 570-385-1318 • CustomerService@CardinalSystemsinc.com

Bill of Materials

PART NO.	QUANTITY	DESCRIPTION
"A" FRAME	10	"A" FRAME ASSEMBLY
CS902SA	4	90 DEG CORNER ANGLE
CS902SB	4	6" RAD CORNER FILLER "BIG VEE"
L3TR3080XXXXXXC	1	8' RADIUS STEEL STEP W/LINER TRACK
5C42500XX08000	2	5' x 8' Radius C PANEL W/O Z
5C42600XX08000	1	6' x 8' Radius C PANEL W/O Z
5S42800XXX2	6	8' Straight PANEL W/2 Z
5T42060237100	2	6" x 1' x 237° ELL
5T42100237060	2	1' x 6" x 237° ELL



NOTE: THIS IS A NON DIVING POOL.

Date: 5/10/2022	Perimeter: 85' - 11 7/8"	
Drawn By: JESSE H	Area: 465.4 SQ. FT.	
Scale: 1/8" = 1'-0"	Notes: -----	

This information is the confidential property of Cardinal Systems, Inc. Disclosure or duplication without proper written approval is strictly prohibited. Acceptance and use of this drawing constitutes knowledge and acceptance by the user of the terms and conditions set forth in the notice and warning which accompanied this drawing. Incorporated herein and made part hereof and is found on Cardinal Systems, Inc's website at www.CardinalSystemsInc.com

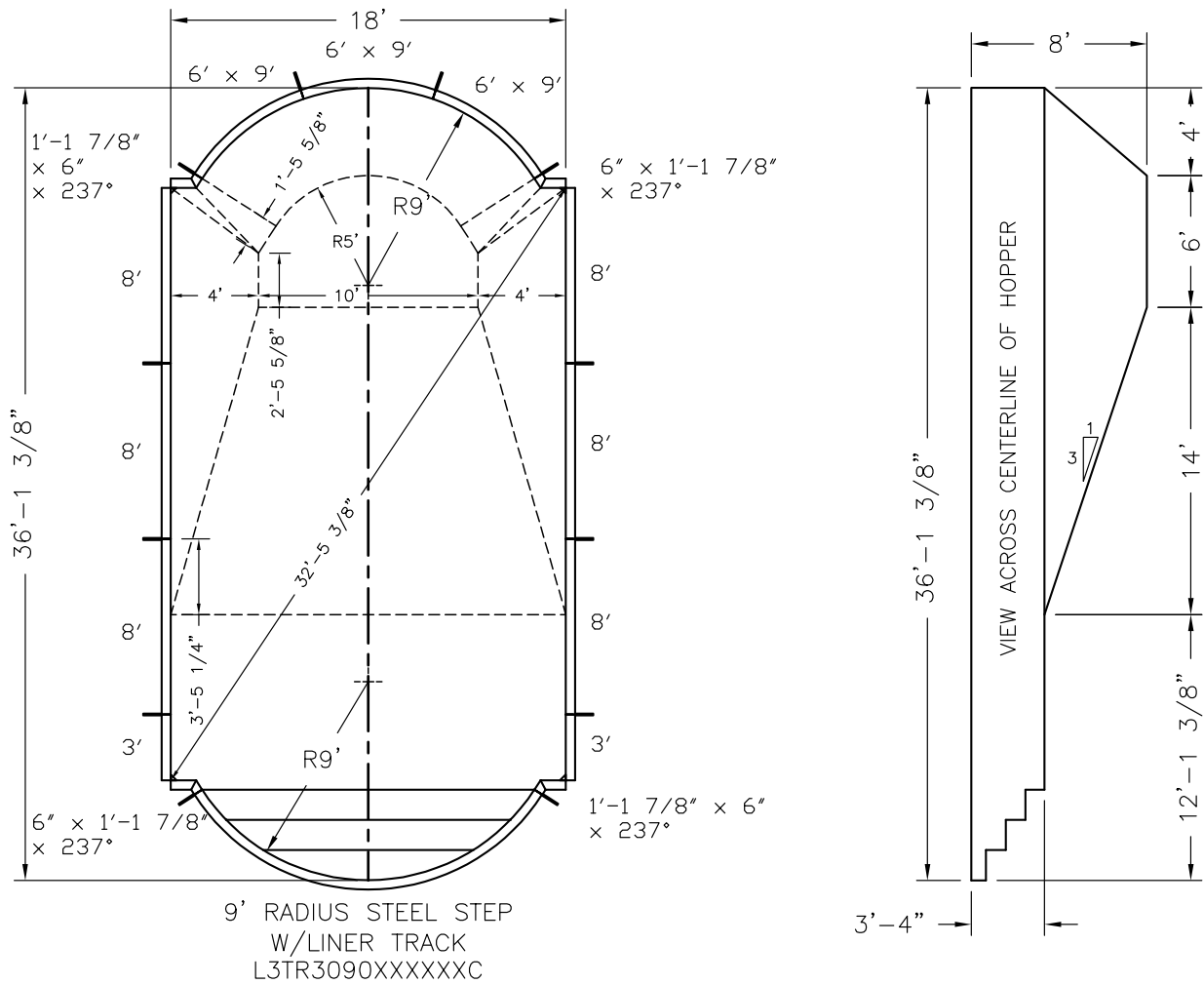



Pool Size: 18' X 36' **Approx Gal:** 21,364
Pool Shape: DOUBLE ROMAN END
Pool Number: 1836DRE - 6 (STEEL)

250 Route 61 South, Schuylkill Haven, PA 17972 • 570-385-4733 • fax: 570-385-1318 • CustomerService@CardinalSystemsinc.com

Bill of Materials

PART NO.	QUANTITY	DESCRIPTION
"A" FRAME	12	"A" FRAME ASSEMBLY
CS902SA	4	90 DEG CORNER ANGLE
CS902SB	4	6" RAD CORNER FILLER "BIG VEE"
L3TR3090XXXXXC	1	9' RADIUS STEEL STEP W/LINER TRACK
5C42600XX09000	3	6' x 9' Radius C PANEL W/0 Z
5S42300XXX0	2	3' Straight PANEL W/0 Z
5S42800XXX2	6	8' Straight PANEL W/2 Z
5T42060237117	2	6" x 1'-1 7/8" x 237° ELL
5T42117237060	2	1'-1 7/8" x 6" x 237° ELL



Date: 5/10/2022	Perimeter: 96'-7 1/2"	 <small>cardinalpools.com</small>
Drawn By: JESSE H	Area: 587.3 SQ. FT.	
Scale: 1/8" = 1'-0"	Notes: -----	

This information is the confidential property of Cardinal Systems, Inc. Disclosure or duplication without proper written approval is strictly prohibited. Acceptance and use of this drawing constitutes knowledge and acceptance by the user of the terms and conditions set forth in the notice and warning which accompanied this drawing is incorporated herein and made part hereof and is found on Cardinal Systems, Inc's website at www.CardinalSystemsInc.com

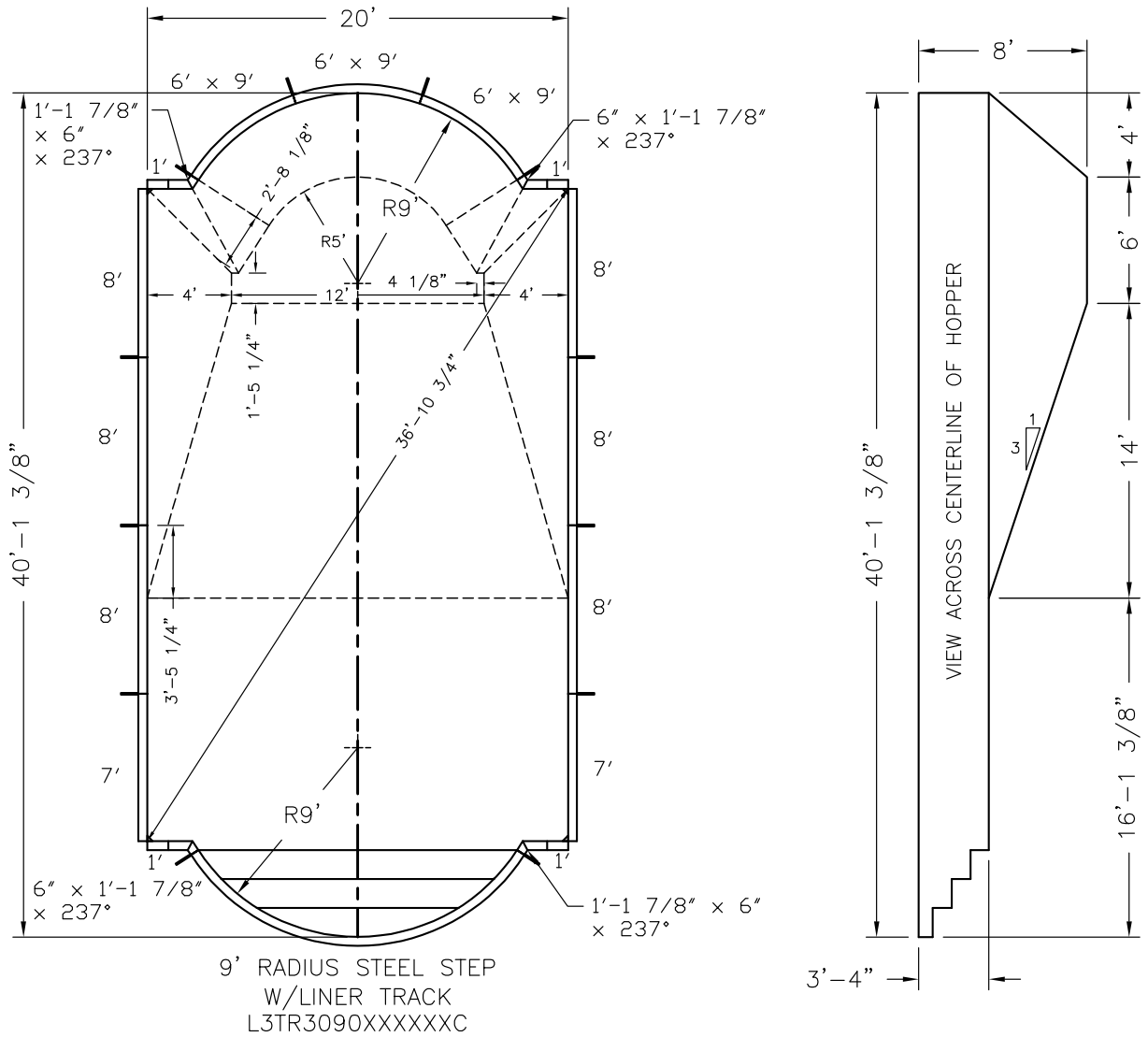



Pool Size: 20' X 40' **Approx Gal:** 26,237
Pool Shape: DOUBLE ROMAN END
Pool Number: 2040DRE - 6 (STEEL)

250 Route 61 South, Schuylkill Haven, PA 17972 • 570-385-4733 • fax: 570-385-1318 • CustomerService@CardinalSystemsInc.com

Bill of Materials

PART NO.	QUANTITY	DESCRIPTION
"A" FRAME	12	"A" FRAME ASSEMBLY
CS902SA	4	90 DEG CORNER ANGLE
CS902SB	4	6" RAD CORNER FILLER "BIG VEE"
L3TR3090XXXXXXC	1	9' RADIUS STEEL STEP W/LINER TRACK
5C42600XX09000	3	6' x 9' Radius C PANEL W/O Z
5S42100XXX0	4	1' Straight PANEL W/O Z
5S42700XXX2	2	1' Straight PANEL W/2 Z
5S42800XXX2	6	8' Straight PANEL W/2 Z
5T42060237117	2	6" x 1'-1 7/8" x 237° ELL
5T42117237060	2	1'-1 7/8" x 6" x 237° ELL



Date: 5/10/2022	Perimeter: 108' - 7 1/2"	 <small>cardinalpools.com</small>
Drawn By: JESSE H	Area: 721.3 SQ. FT.	
Scale: 1/8" = 1'-0"	Notes: - - - -	

This Information is the confidential property of Cardinal Systems, Inc. Disclosure or duplication without proper written approval is strictly prohibited. Acceptance and use of this drawing constitutes knowledge and acceptance by the user of the terms and conditions set forth in the notice and warning which accompanied this drawing is incorporated herein and made part hereof and is found on Cardinal Systems, Inc's website at www.CardinalSystemsInc.com

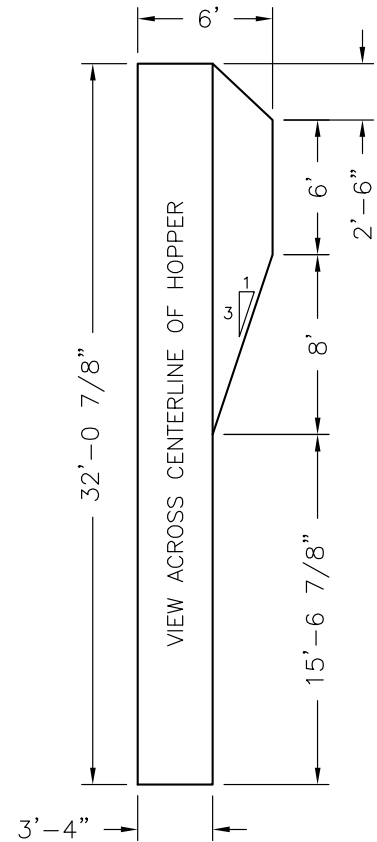
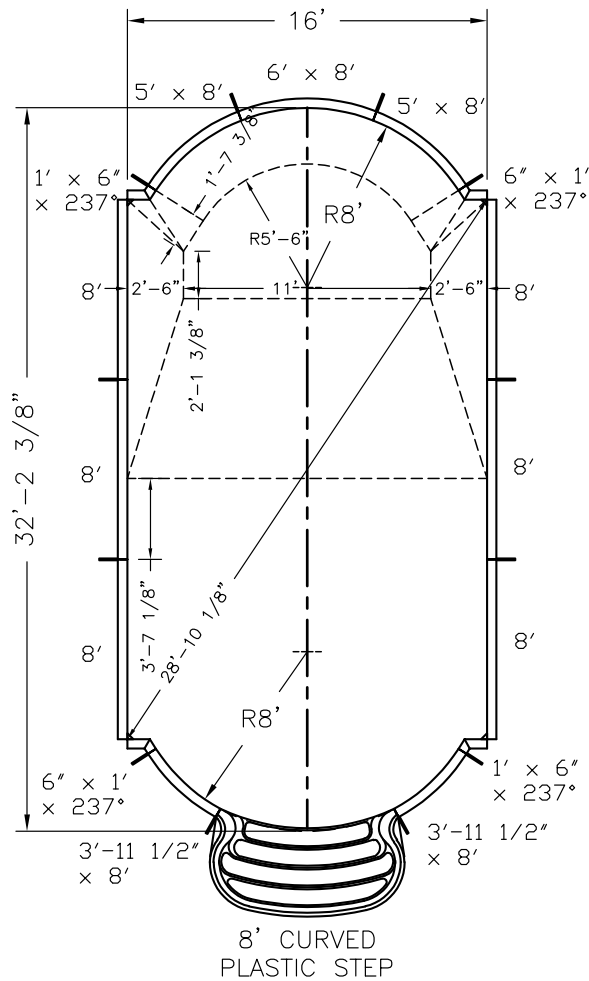


Pool Size: 16' X 32' **Approx Gal:** 14,813
Pool Shape: DOUBLE ROMAN END
Pool Number: 1632DRE – 6 (PLASTIC)

250 Route 61 South, Schuylkill Haven, PA 17972 • 570-385-4733 • fax: 570-385-1318 • CustomerService@CardinalSystemsinc.com

Bill of Materials

PART NO.	QUANTITY	DESCRIPTION
"A" FRAME	12	"A" FRAME ASSEMBLY
CS902SA	4	90 DEG CORNER ANGLE
CS902SB	4	6" RAD CORNER FILLER "BIG VEE"
5C423E4XX08000	2	3'-11 1/2" x 8' Radius C PANEL W/O Z
5C42500XX08000	2	5' x 8' Radius C PANEL W/O Z
5C42600XX08000	1	6' x 8' Radius C PANEL W/O Z
5S42800XXX2	6	8' Straight PANEL W/2 Z
5T42060237100	2	6" x 1' x 237° ELL
5T42100237060	2	1' x 6" x 237° ELL



NOTE: THIS IS A NON DIVING POOL.

Date: 5/10/2022

Perimeter: 85' - 11"

Drawn By: JESSE H

Area: 464.7 SQ. FT.

Scale: 1/8" = 1' - 0"

Notes: -----



cardinalpools.com

This information is the confidential property of Cardinal Systems, Inc. Disclosure or duplication without proper written approval is strictly prohibited. Acceptance and use of this drawing constitutes knowledge and acceptance by the user of the terms and conditions set forth in the notice and warning which accompanied this drawing is incorporated herein and made part hereof and is found on Cardinal Systems, Inc's website at www.CardinalSystemsInc.com

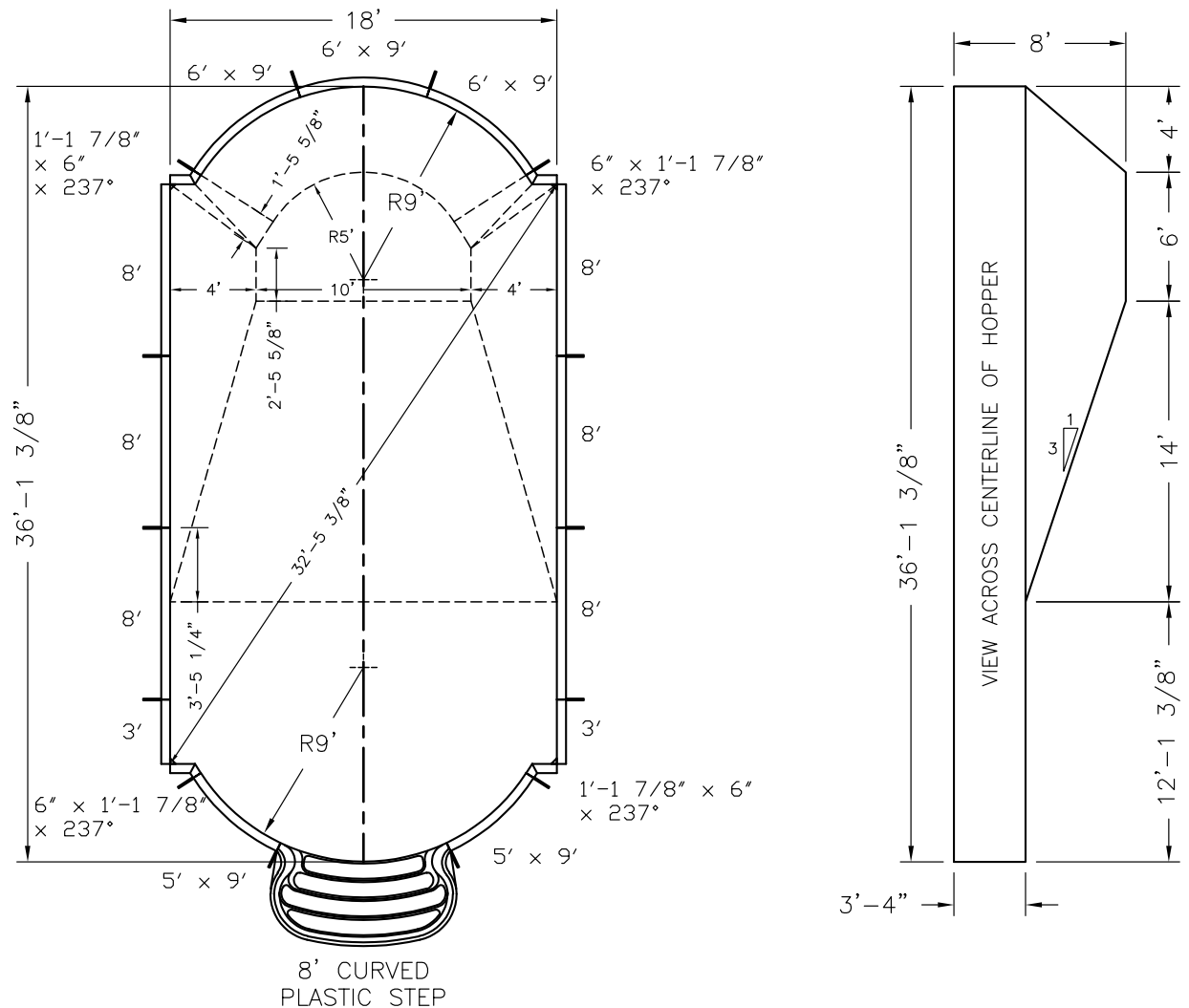



Pool Size: 18' X 36' **Approx Gal:** 21,364
Pool Shape: DOUBLE ROMAN END
Pool Number: 1836DRE - 6 (PLASTIC)

250 Route 61 South, Schuylkill Haven, PA 17972 • 570-385-4733 • fax: 570-385-1318 • CustomerService@CardinalSystemsinc.com

Bill of Materials

PART NO.	QUANTITY	DESCRIPTION
"A" FRAME	14	"A" FRAME ASSEMBLY
CS902SA	4	90 DEG CORNER ANGLE
CS902SB	4	6" RAD CORNER FILLER "BIG VEE"
5C42500XX09000	2	5' x 9' Radius C PANEL W/O Z
5C42600XX09000	3	6' x 9' Radius C PANEL W/O Z
5S42300XXX0	2	3' Straight PANEL W/O Z
5S42800XXX2	6	8' Straight PANEL W/2 Z
5T42060237117	2	6" x 1'-1 7/8" x 237° ELL
5T42117237060	2	1'-1 7/8" x 6" x 237° ELL



Date: 5/10/2022	Perimeter: 96'-7 1/2"	 <small>cardinalpools.com</small>
Drawn By: JESSE H	Area: 587.3 SQ. FT.	
Scale: 1/8" = 1'-0"	Notes: - - - -	

This information is the confidential property of Cardinal Systems, Inc. Disclosure or duplication without proper written approval is strictly prohibited. Acceptance and use of this drawing constitutes knowledge and acceptance by the user of the terms and conditions set forth in the notice and warning which accompanied this drawing is incorporated herein and made part hereof and is found on Cardinal Systems, Inc's website at www.CardinalSystemsInc.com

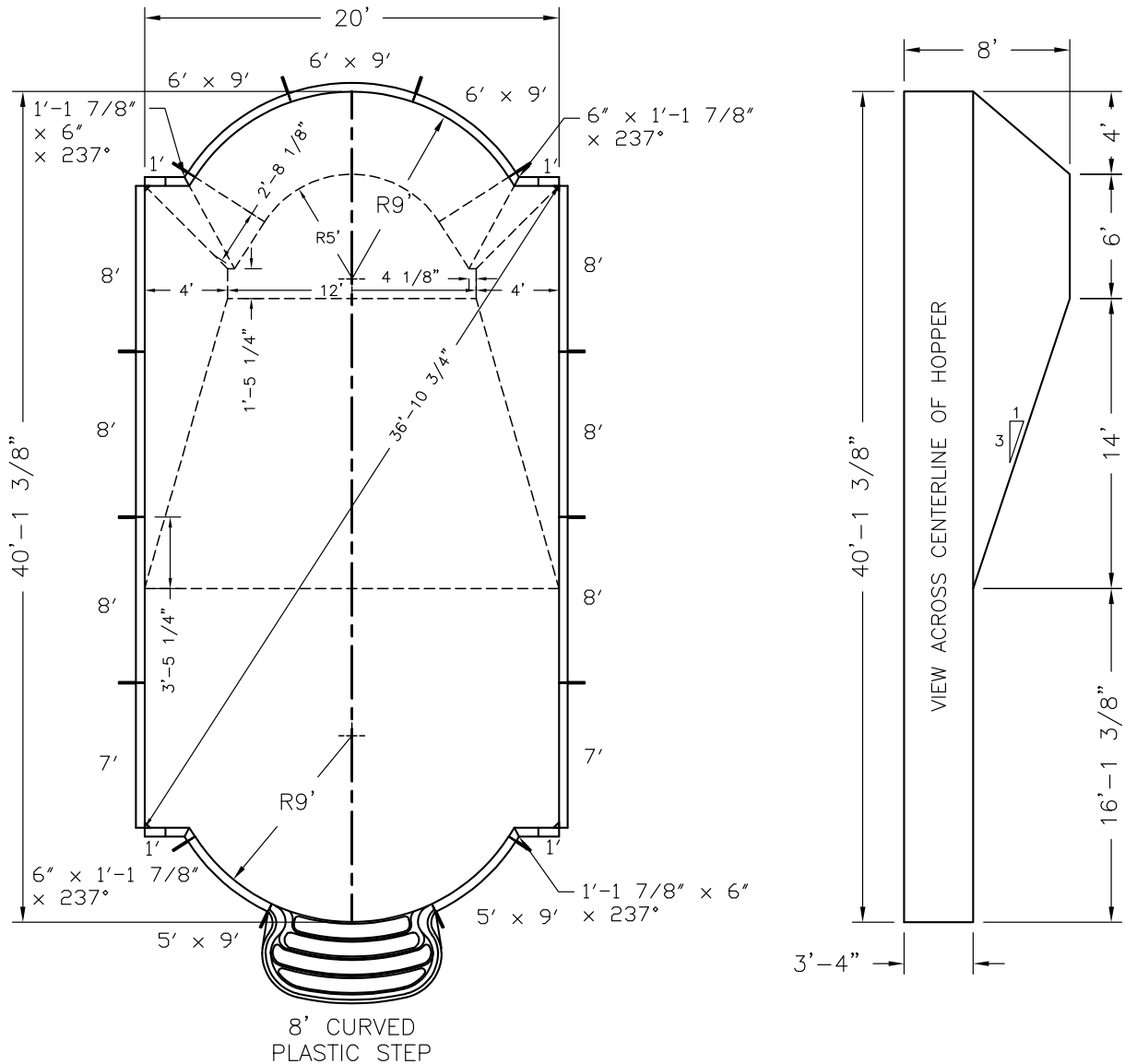


Pool Size: 20' X 40' **Approx Gal:** 26,238
Pool Shape: DOUBLE ROMAN END
Pool Number: 2040DRE – 6 (PLASTIC)

250 Route 61 South, Schuylkill Haven, PA 17972 • 570-385-4733 • fax: 570-385-1318 • CustomerService@CardinalSystemsinc.com

Bill of Materials

PART NO.	QUANTITY	DESCRIPTION
"A" FRAME	14	"A" FRAME ASSEMBLY
CS902SA	4	90 DEG CORNER ANGLE
CS902SB	4	6" RAD CORNER FILLER "BIG VEE"
5C42500XX09000	2	5' x 9' Radius C PANEL w/0 Z
5C42600XX09000	3	6' x 9' Radius C PANEL w/0 Z
5S42100XXX0	4	1' Straight PANEL w/0 Z
5S42700XXX2	2	7' Straight PANEL w/2 Z
5S42800XXX2	6	8' Straight PANEL w/2 Z
5T42060237117	2	6" x 1'-1 7/8" x 237° ELL
5T42117237060	2	1'-1 7/8" x 6" x 237° ELL



Date: 5/10/2022	Perimeter: 108' - 7 1/2"	
Drawn By: JESSE H	Area: 721.3 SQ. FT.	
Scale: 1/8" = 1'-0"	Notes: - - - -	

This information is the confidential property of Cardinal Systems, Inc. Disclosure or duplication without proper written approval is strictly prohibited. Acceptance and use of this drawing constitutes knowledge and acceptance by the user of the terms and conditions set forth in the notice and warning which accompanied this drawing is incorporated herein and made part hereof and is found on Cardinal Systems, Inc's website at www.CardinalSystemsInc.com

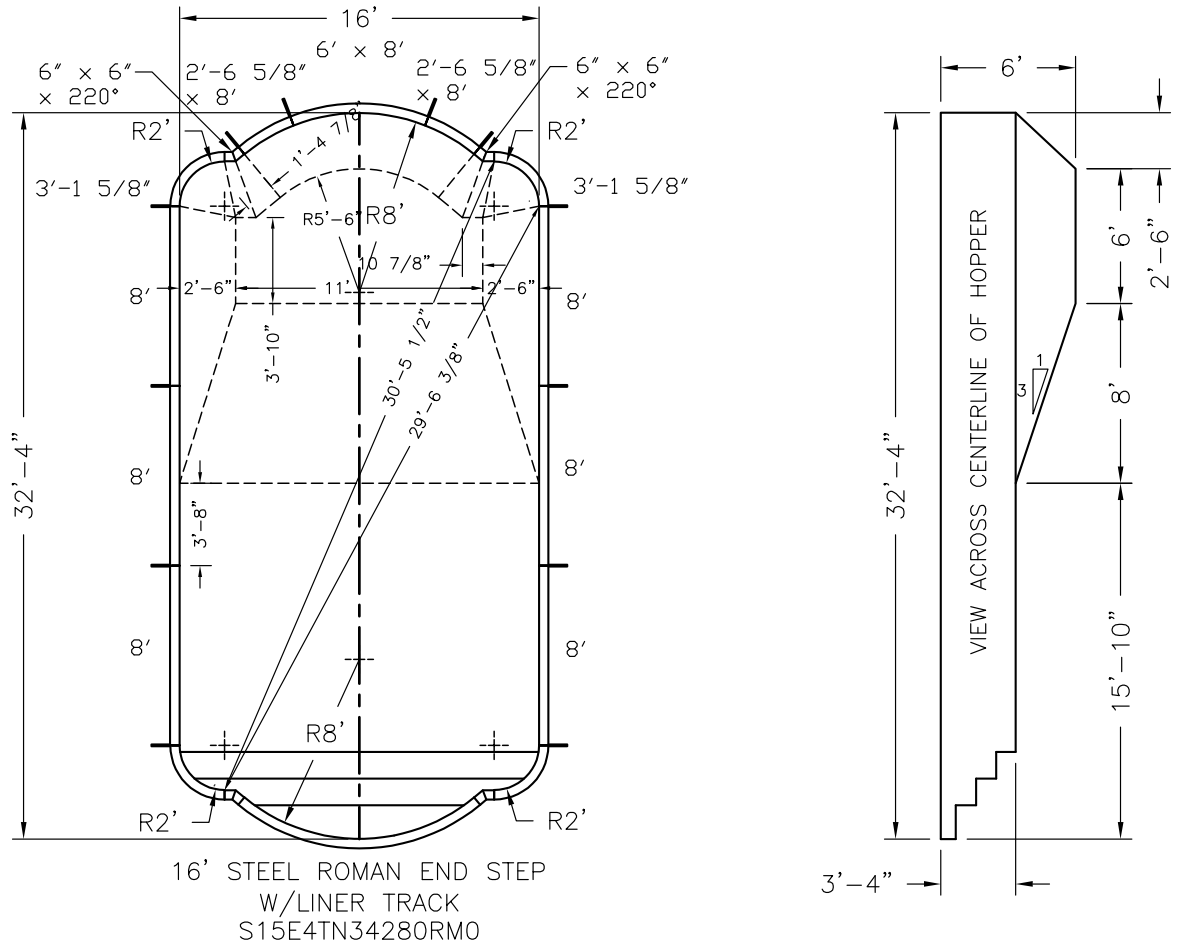


Pool Size: 16' X 32' **Approx Gal:** 15,211
Pool Shape: DOUBLE ROMAN END
Pool Number: 1632DRE - 2R (STEEL)


250 Route 61 South, Schuylkill Haven, PA 17972 • 570-385-4733 • fax: 570-385-1318 • CustomerService@CardinalSystemsinc.com

Bill of Materials

PART NO.	QUANTITY	DESCRIPTION
"A" FRAME	12	"A" FRAME ASSEMBLY
5C42315XX02000	2	2' RADIUS CORNER
S15E4TN34280RM0	1	16' STEEL ROMAN END STEP W/ LINER TRACK
5C42265XX08000	2	2'-6 5/8" x 8' Radius C PANEL W/O Z
5C42600XX08000	1	6' x 8' Radius C PANEL W/O Z
5S42800XXX2	6	8' Straight PANEL W/2 Z
5T42060220060	2	6" x 6" x 220° ELL



NOTE: THIS IS A NON DIVING POOL.

Date: 5/10/2022	Perimeter: 86'-9 1/4"	 cardinalpools.com
Drawn By: JESSE H	Area: 477.2 SQ. FT.	
Scale: 1/8" = 1'-0"	Notes: - - - -	

This information is the confidential property of Cardinal Systems, Inc. Disclosure or duplication without proper written approval is strictly prohibited. Acceptance and use of this drawing constitutes knowledge and acceptance by the user of the terms and conditions set forth in the notice and warning which accompanied this drawing is incorporated herein and made part hereof and is found on Cardinal Systems, Inc's website at www.CardinalSystemsInc.com



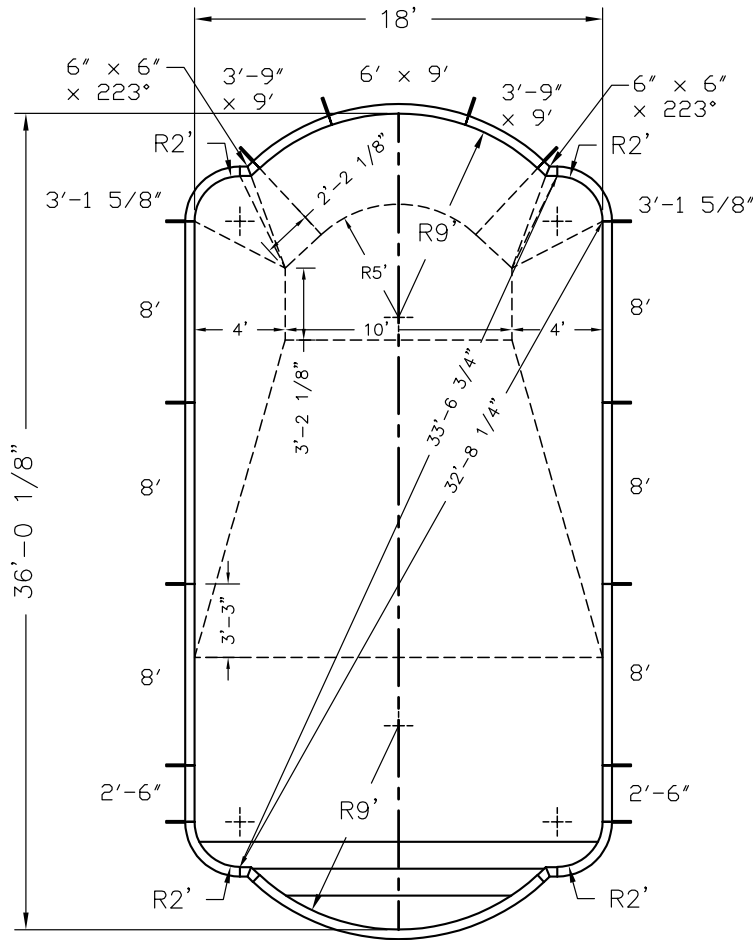
Pool Size: 18' X 36'
Pool Shape: DOUBLE ROMAN END
Pool Number: 1836DRE - 2R (STEEL)

Approx Gal: 21,640

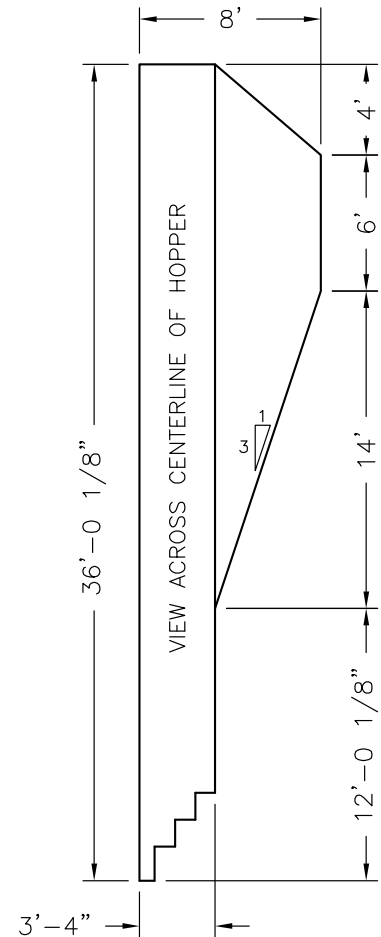
250 Route 61 South, Schuylkill Haven, PA 17972 • 570-385-4733 • fax: 570-385-1318 • CustomerService@CardinalSystemsinc.com

Bill of Materials

PART NO.	QUANTITY	DESCRIPTION
"A" FRAME	14	"A" FRAME ASSEMBLY
5C42315XX02000	2	2' RADIUS CORNER
S1771TN34290RX0	1	18' STEEL ROMAN END STEP W/2'R CORNERS W/LINER TRACK
5C42390XX09000	2	3'-9" x 9' Radius C PANEL W/0 Z
5C42600XX09000	1	6' x 9' Radius C PANEL W/0 Z
5S42260XXX0	2	2'-6" Straight PANEL W/0 Z
5S42800XXX2	6	8' Straight PANEL W/2 Z
5T42060223060	2	6" x 6" x 223° ELL



18' STEEL ROMAN END STEP
W/2'R CORNERS
W/LINER TRACK
S1771TN34290RX0



Date: 5/10/2022

Drawn By: JESSE H

Scale: 1/8" = 1'-0"

Perimeter: 96'-6 3/4"

Area: 594.9 SQ. FT.

Notes: -----



cardinalpools.com

This Information is the confidential property of Cardinal Systems, Inc. Disclosure or duplication without proper written approval is strictly prohibited. Acceptance and use of this drawing constitutes knowledge and acceptance by the user of the terms and conditions set forth in the notice and warning which accompanied this drawing is incorporated herein and made part hereof and is found on Cardinal Systems, Inc's website at www.CardinalSystemsinc.com

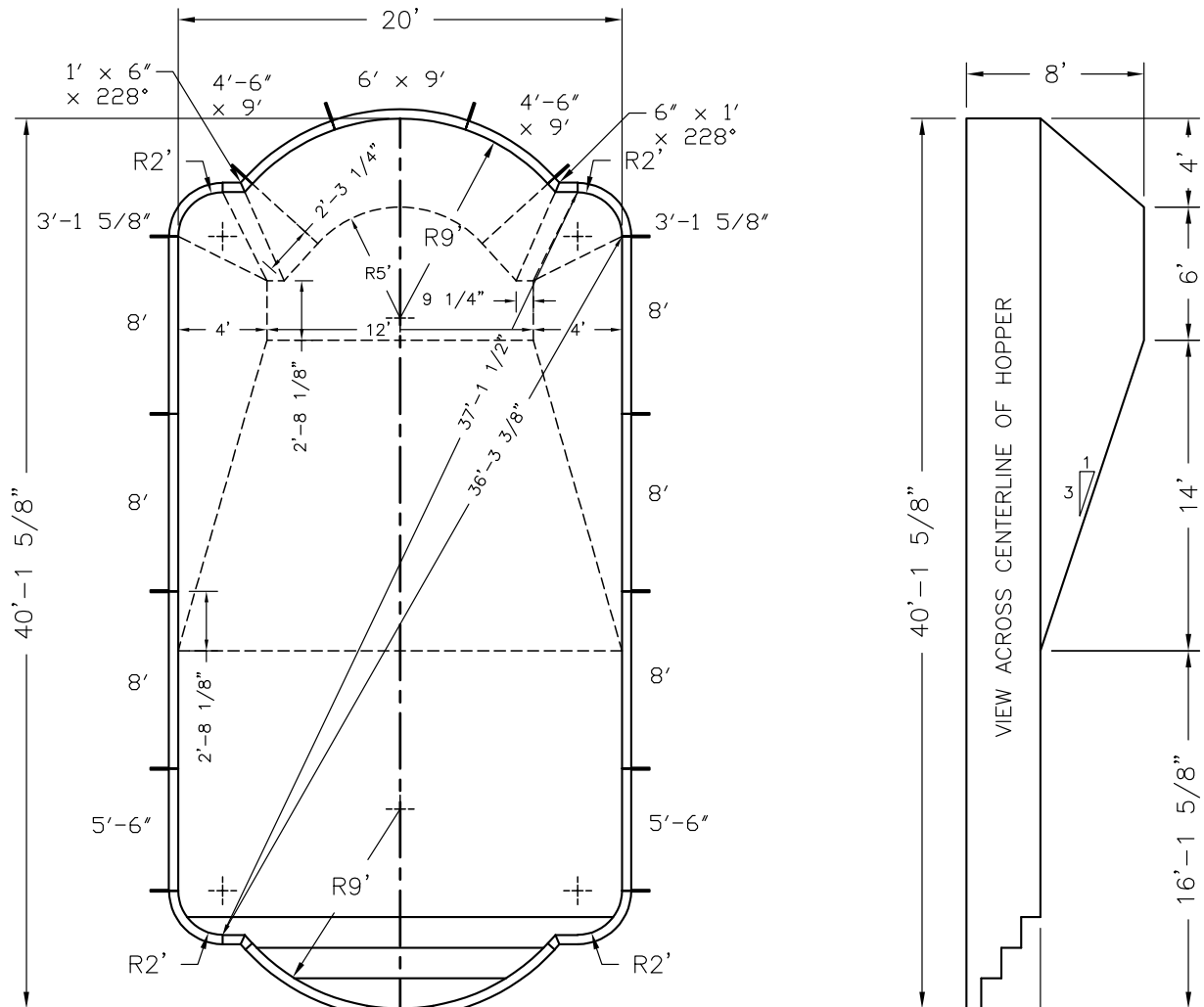


Pool Size: 20' X 40' **Approx Gal:** 26,591
Pool Shape: DOUBLE ROMAN END
Pool Number: 2040DRE - 2R (STEEL)

250 Route 61 South, Schuylkill Haven, PA 17972 • 570-385-4733 • fax: 570-385-1318 • CustomerService@CardinalSystemsinc.com

Bill of Materials

PART NO.	QUANTITY	DESCRIPTION
"A" FRAME	14	"A" FRAME ASSEMBLY
5C42315XX02000	2	2' RADIUS CORNER
S1924TN34290DT0	1	20' STEEL ROMAN END STEP W/2'R CORNERS W/LINER TRACK
5C42460XX09000	2	4'-6" x 9' Radius C PANEL W/0 Z
5C42600XX09000	1	6' x 9' Radius C PANEL W/0 Z
5S42560XXX1	2	5'-6" Straight PANEL W/1 Z
5S42800XXX2	6	8' Straight PANEL W/2 Z
5T42060228100	1	6" x 1' x 228° ELL
5T42100228060	1	1' x 6" x 228° ELL



20' STEEL ROMAN END STEP
W/2'R CORNERS
W/LINER TRACK
S1924TN34290DT0

Date: 5/10/2022	Perimeter: 107'-6 7/8"	
Drawn By: JESSE H	Area: 731.0 SQ. FT.	
Scale: 1/8" = 1'-0"	Notes: - - - -	

This information is the confidential property of Cardinal Systems, Inc. Disclosure or duplication without proper written approval is strictly prohibited. Acceptance and use of this drawing constitutes knowledge and acceptance by the user of the terms and conditions set forth in the notice and warning which accompanied this drawing is incorporated herein and made part hereof and is found on Cardinal Systems, Inc's website at www.CardinalSystemsInc.com

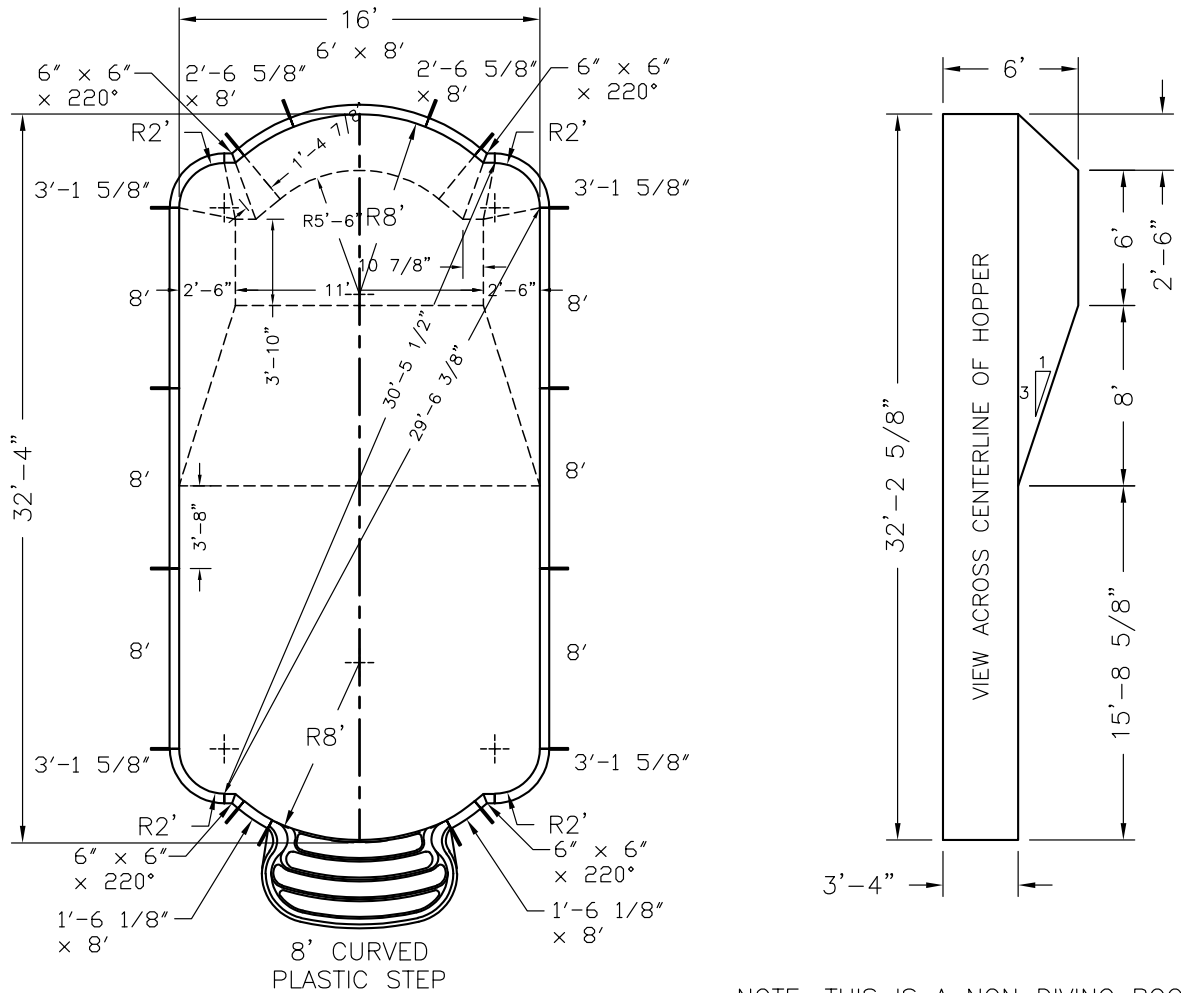


Pool Size: 16' X 32' **Approx Gal:** 15,192
Pool Shape: DOUBLE ROMAN END
Pool Number: 1632DRE – 2R (PLASTIC)

250 Route 61 South, Schuylkill Haven, PA 17972 • 570-385-4733 • fax: 570-385-1318 • CustomerService@CardinalSystemsInc.com

Bill of Materials

PART NO.	QUANTITY	DESCRIPTION
"A" FRAME	16	"A" FRAME ASSEMBLY
5C42315XX02000	4	2' RADIUS CORNER
5C42161XX08000	2	1'-6 1/8" x 8' Radius C PANEL W/O Z
5C42265XX08000	2	2'-6 5/8" x 8' Radius C PANEL W/O Z
5C42600XX08000	1	6' x 8' Radius C PANEL W/O Z
5S42800XXX2	6	8' Straight PANEL W/2 Z
5T42060220060	4	6" x 6" x 220° ELL



NOTE: THIS IS A NON DIVING POOL.

Date: 5/10/2022

Perimeter: 86'-8 1/4"

Drawn By: JESSE H

Area: 476.6 SQ. FT.

Scale: 1/8" = 1'-0"

Notes: -----



cardinalpools.com

This information is the confidential property of Cardinal Systems, Inc. Disclosure or duplication without proper written approval is strictly prohibited. Acceptance and use of this drawing constitutes knowledge and acceptance by the user of the terms and conditions set forth in the notice and warning which accompanied this drawing is incorporated herein and made part hereof and is found on Cardinal Systems, Inc's website at www.CardinalSystemsInc.com



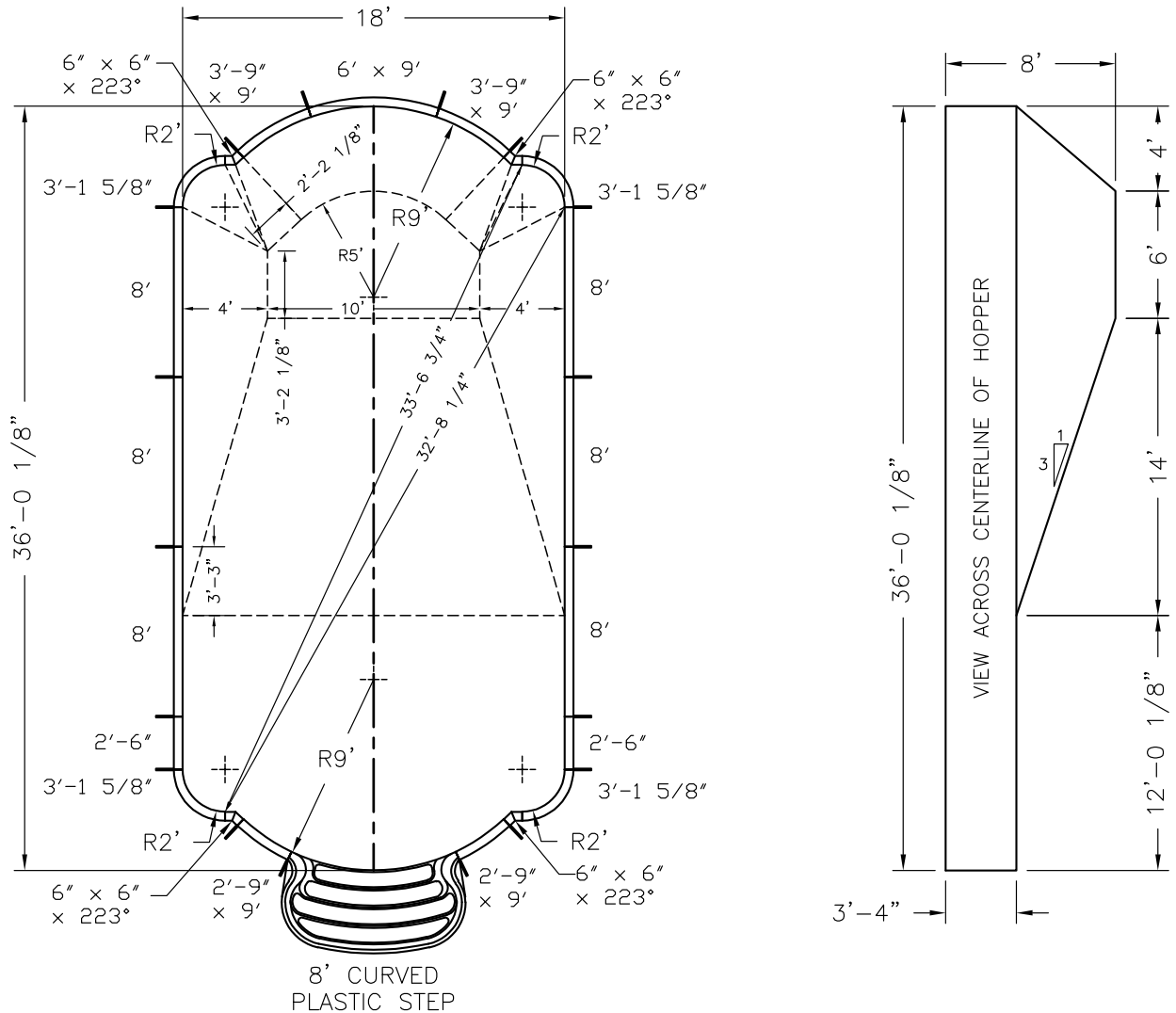
Pool Size: 18' X 36'
Pool Shape: DOUBLE ROMAN END
Pool Number: 1836DRE – 2R (PLASTIC)

Approx Gal: 21,640

250 Route 61 South, Schuylkill Haven, PA 17972 • 570-385-4733 • fax: 570-385-1318 • CustomerService@CardinalSystemsinc.com

Bill of Materials

PART NO.	QUANTITY	DESCRIPTION
"A" FRAME	18	"A" FRAME ASSEMBLY
5C42315XX02000	4	2' RADIUS CORNER
5C42290XX09000	2	2'-9" x 9' Radius C PANEL W/O Z
5C42390XX09000	2	3'-9" x 9' Radius C PANEL W/O Z
5C42600XX09000	1	6' x 9' Radius C PANEL W/O Z
5S42260XXX0	2	2'-6" Straight PANEL W/O Z
5S42800XXX2	6	8' Straight PANEL W/2 Z
5T42060223060	4	6" x 6" x 223° ELL



Date: 5/10/2022

Perimeter: 96'-6 3/4"

Drawn By: JESSE H

Area: 594.9 SQ. FT.

Scale: 1/8" = 1'-0"

Notes: -----



cardinalpools.com

This information is the confidential property of Cardinal Systems, Inc. Disclosure or duplication without proper written approval is strictly prohibited. Acceptance and use of this drawing constitutes knowledge and acceptance by the user of the terms and conditions set forth in the notice and warning which accompanied this drawing is incorporated herein and made part hereof and is found on Cardinal Systems, Inc's website at www.CardinalSystemsInc.com

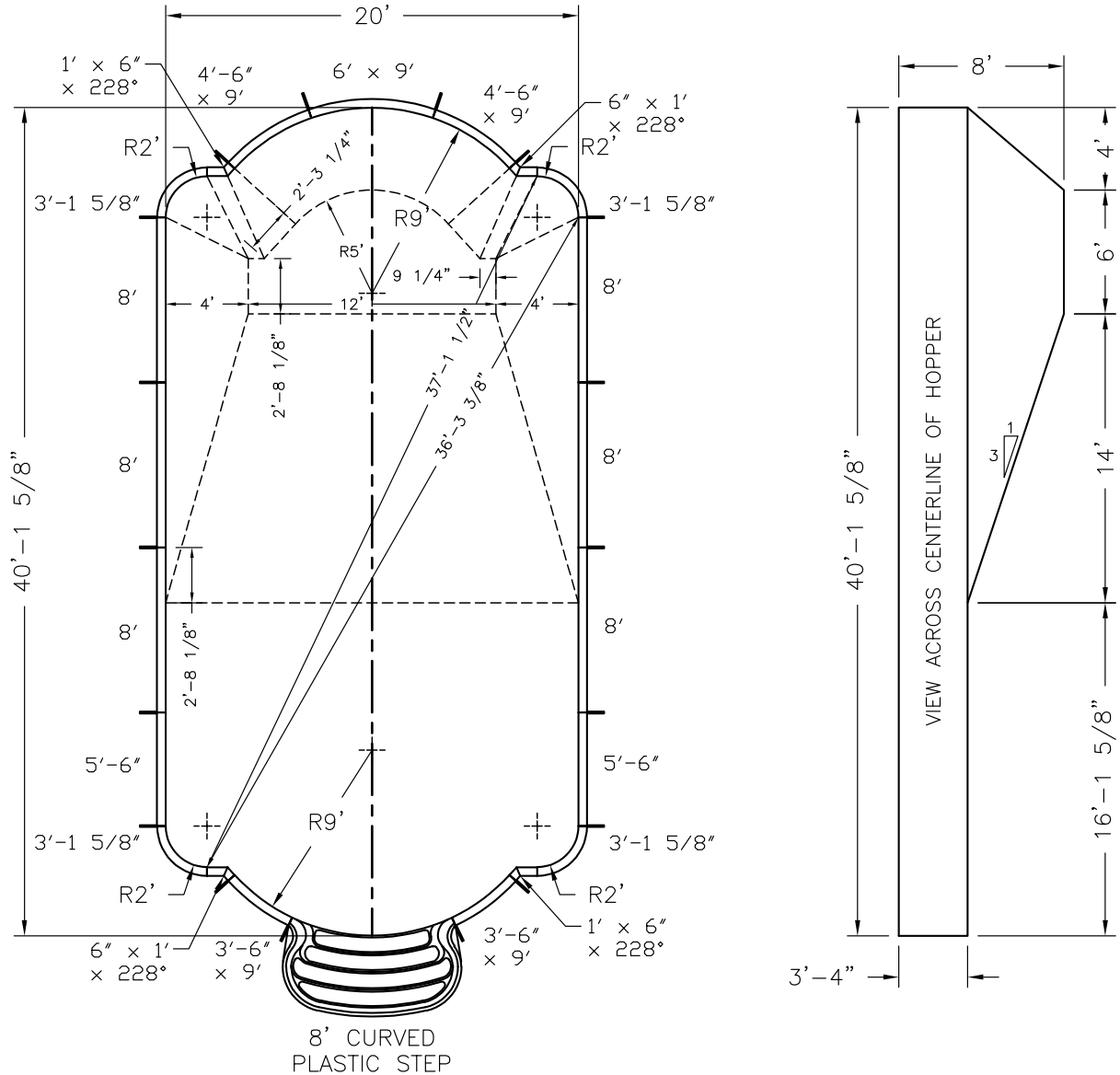


Pool Size: 20' X 40' **Approx Gal:** 26,591
Pool Shape: DOUBLE ROMAN END
Pool Number: 2040DRE – 2R (PLASTIC)

250 Route 61 South, Schuylkill Haven, PA 17972 • 570-385-4733 • fax: 570-385-1318 • CustomerService@CardinalSystemsinc.com

Bill of Materials

PART NO.	QUANTITY	DESCRIPTION
"A" FRAME	18	"A" FRAME ASSEMBLY
5C42315XX02000	4	2' RADIUS CORNER
5C42360XX09000	2	3'-6" x 9' Radius C PANEL W/0 Z
5C42460XX09000	2	4'-6" x 9' Radius C PANEL W/0 Z
5C42600XX09000	1	6' x 9' Radius C PANEL W/0 Z
5S42560XXX1	2	5'-6" Straight PANEL W/1 Z
5S42800XXX2	6	8' Straight PANEL W/2 Z
5T42060228100	2	6" x 1' x 228° ELL
5T42100228060	2	1' x 6" x 228° ELL



Date: 5/10/2022	Perimeter: 107'-6 7/8"	
Drawn By: JESSE H	Area: 731.0 SQ. FT.	
Scale: 1/8" = 1'-0"	Notes: - - - -	
<small>This information is the confidential property of Cardinal Systems, Inc. Disclosure or duplication without proper written approval is strictly prohibited. Acceptance and use of this drawing constitutes knowledge and acceptance by the user of the terms and conditions set forth in the notice and warning which accompanied this drawing is incorporated herein and made part hereof and is found on Cardinal Systems, Inc's website at www.CardinalSystemsInc.com</small>		