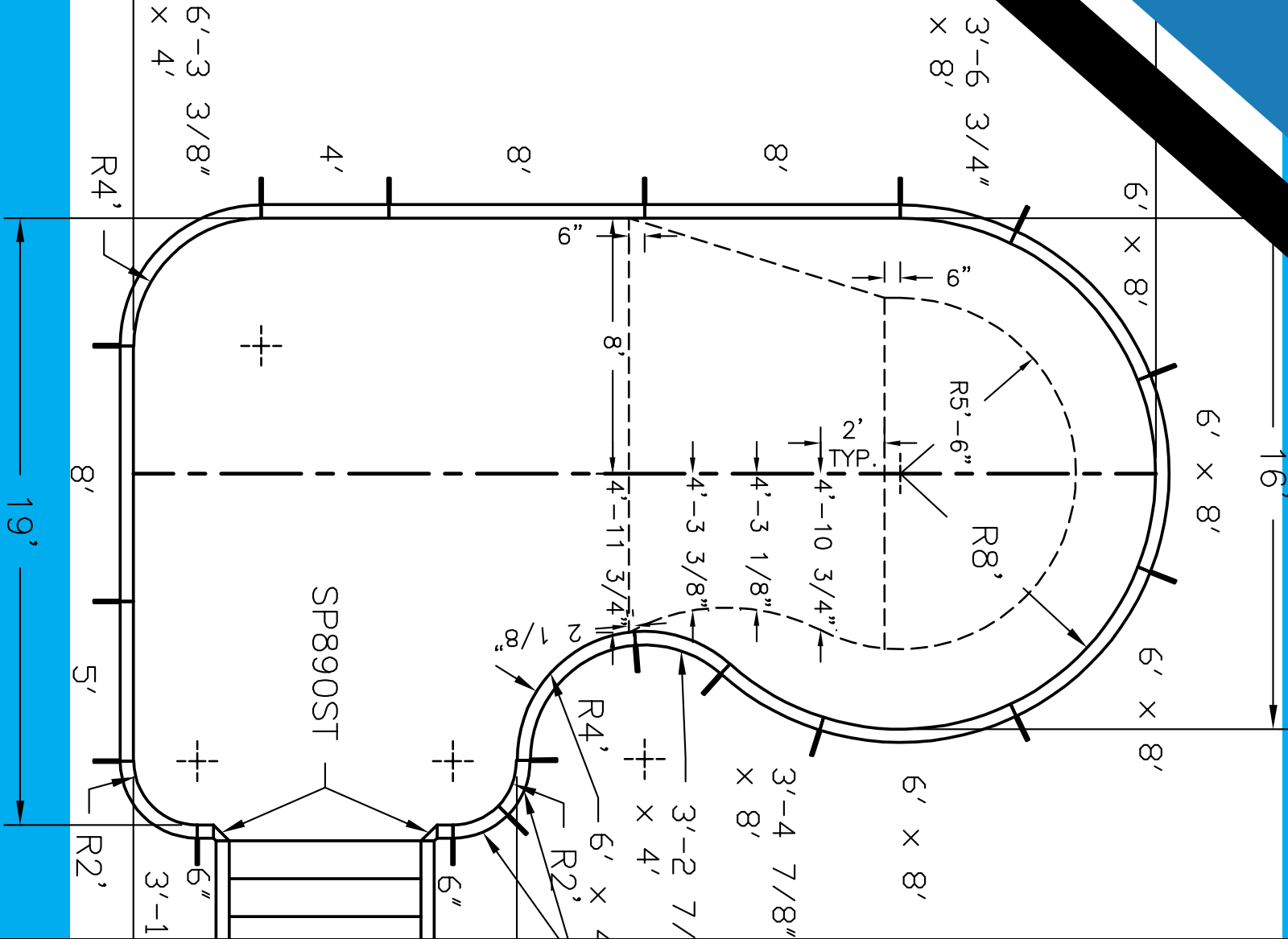


# CELEBRITY



SCAN THE QR CODE

for supplemental Celebrity drawings





**Pool Size:** 16' X 32'

**Pool Shape:** CELEBRITY

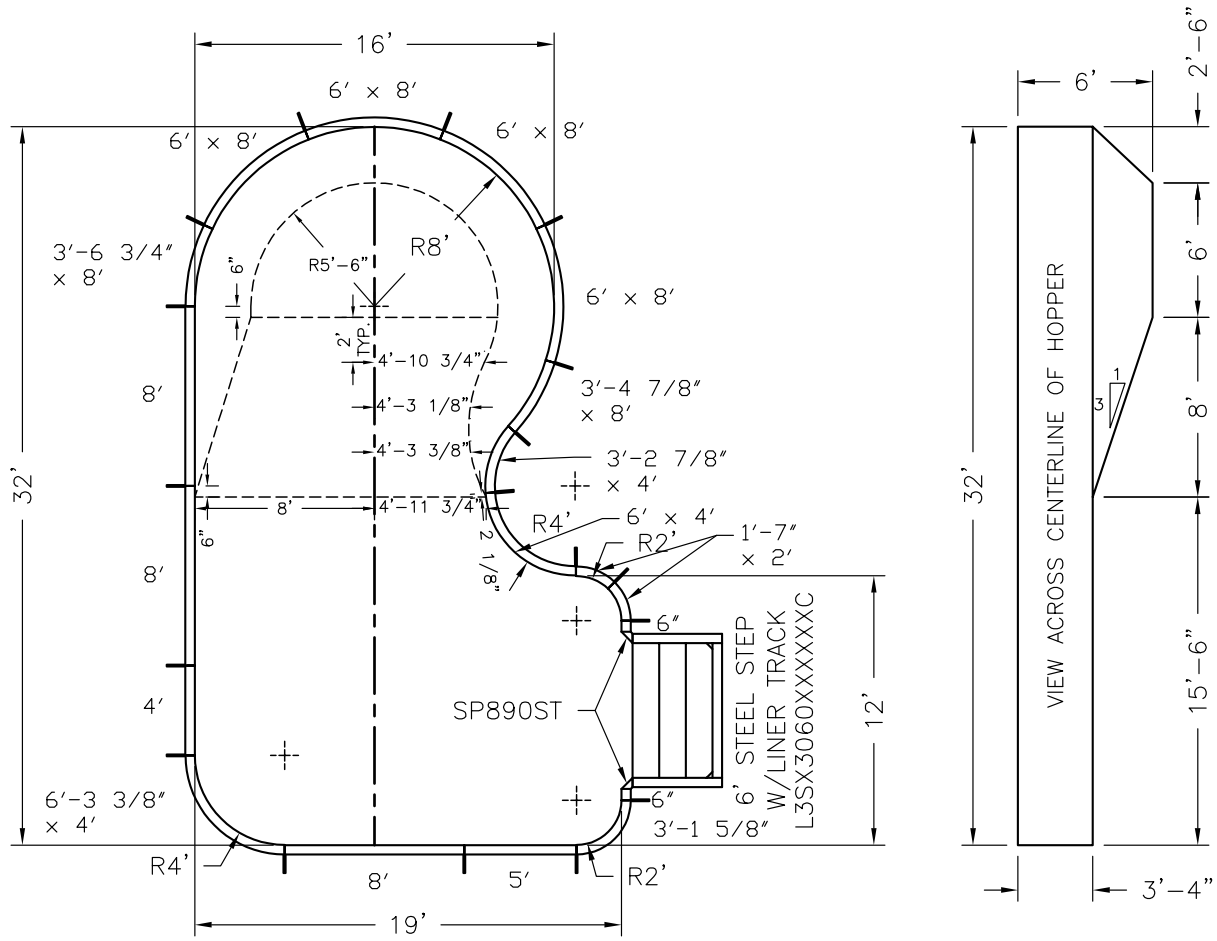
**Approx Gal:** 16,591

**Pool Number:** 1632CELEB – (STEEL)

250 Route 61 South, Schuylkill Haven, PA 17972 • 570-385-4733 • fax: 570-385-1318 • CustomerService@CardinalSystemsinc.com

Bill of Materials

PART NO.	QUANTITY	DESCRIPTION
"A" FRAME	18	"A" FRAME ASSEMBLY
5C42315XX02000	1	2' RADIUS CORNER
L3SX3060XXXXXC	1	6' STEEL STEP W/LINER TRACK
SP890ST	2	STRAIGHT WALL STEP TRANSITION
5C42170XX02000	2	1'-7" x 2' Radius C PANEL W/O Z
5C42347XX08000	1	3'-4 7/8" x 8' Radius C PANEL W/O Z
5C42366XX08000	1	3'-6 3/4" x 8' Radius C PANEL W/O Z
5C42633XX04000	1	6'-3 3/8" x 4' Radius C PANEL W/O Z
5C42600XX08000	4	6' x 8' Radius C PANEL W/O Z
5R42327XX04000	1	3'-2 7/8" x 4' Radius R PANEL W/O Z
5R42600XX04000	1	6' x 4' Radius R PANEL W/O Z
5S42060XXX0	2	6" Straight PANEL W/O Z
5S42400XXX0	1	4' Straight PANEL W/O Z
5S42500XXX0	1	5' Straight PANEL W/O Z
5S42800XXX2	3	8' Straight PANEL W/2 Z



NOTE: THIS IS A NON DIVING POOL.

<b>Date:</b> 5/10/2022	<b>Perimeter:</b> 101'-4"	
<b>Drawn By:</b> JESSE H	<b>Area:</b> 520.5 SQ. FT.	
<b>Scale:</b> 1/8" = 1'-0"	<b>Notes:</b> - - - -	

This information is the confidential property of Cardinal Systems, Inc. Disclosure or duplication without proper written approval is strictly prohibited. Acceptance and use of this drawing constitutes knowledge and acceptance by the user of the terms and conditions set forth in the notice and warning which accompanied this drawing is incorporated herein and made part hereof and is found on Cardinal Systems, Inc's website at www.CardinalSystemsInc.com



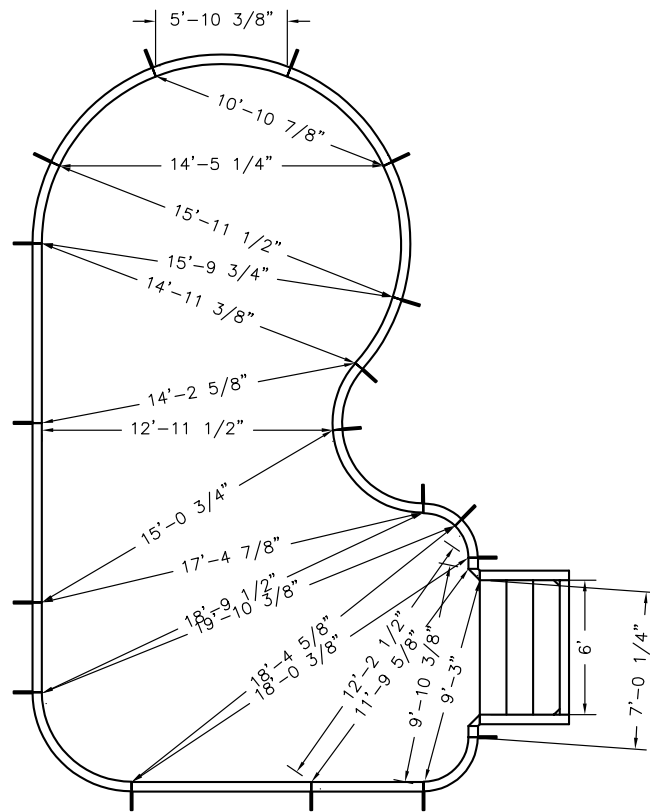
**Pool Size:** 16' X 32'

**Pool Shape:** CELEBRITY

**Pool Number:** 1632CELEB – (STEEL)

**Approx Gal:** 16,591

250 Route 61 South, Schuylkill Haven, PA 17972 • 570-385-4733 • fax: 570-385-1318 • CustomerService@CardinalSystemsinc.com



**Date:** 5/10/2022

**Perimeter:** 101'-4"

**Drawn By:** JESSE H

**Area:** 520.5 SQ. FT.

**Scale:** 1/8" = 1'-0"

**Notes:** -----



cardinalpools.com

This information is the confidential property of Cardinal Systems, Inc. Disclosure or duplication without proper written approval is strictly prohibited. Acceptance and use of this drawing constitutes knowledge and acceptance by the user of the terms and conditions set forth in the notice and warning which accompanied this drawing is incorporated herein and made part hereof and is found on Cardinal Systems, Inc's website at www.CardinalSystemsInc.com

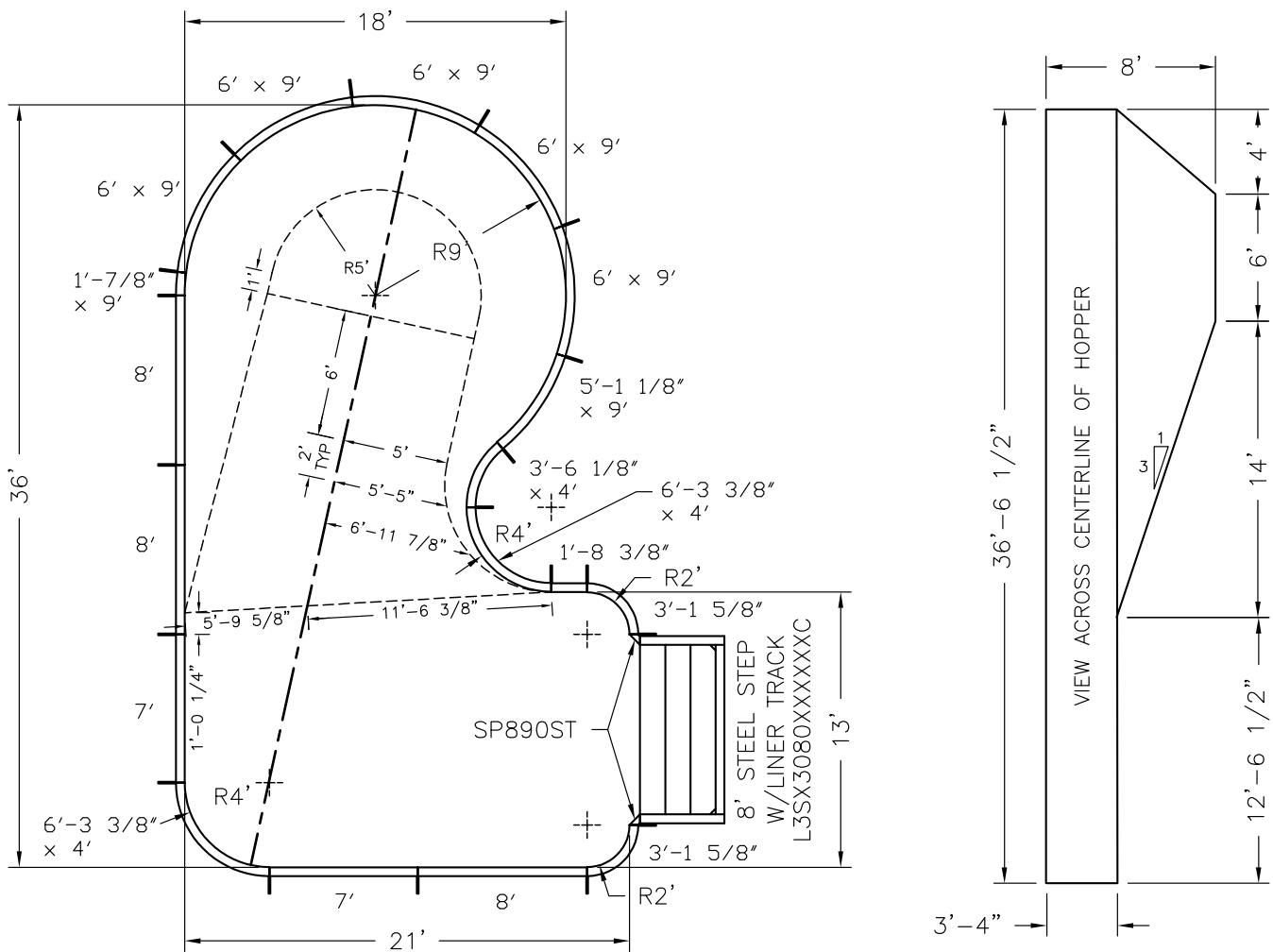


**Pool Size:** 18' X 36'  
**Pool Shape:** CELEBRITY **Approx Gal:** 23,444  
**Pool Number:** 1836CELEB – (STEEL)

250 Route 61 South, Schuylkill Haven, PA 17972 • 570-385-4733 • fax: 570-385-1318 • CustomerService@CardinalSystemsinc.com

### Bill of Materials

PART NO.	QUANTITY	DESCRIPTION
"A" FRAME	19	"A" FRAME ASSEMBLY
5C42315XX02000	2	2' RADIUS CORNER
L3SX3080XXXXXC	1	8' STEEL STEP W/LINER TRACK
SP890ST	2	STRAIGHT WALL STEP TRANSITION
5C42107XX09000	1	1'-7/8" x 9' Radius C PANEL W/0 Z
5C42511XX09000	1	5'-1 1/8" x 9' Radius C PANEL W/0 Z
5C42600XX09000	5	6' x 9' Radius C PANEL W/0 Z
5C42633XX04000	1	6'-3 3/8" x 4' Radius C PANEL W/0 Z
5R42361XX04000	1	3'-6 1/8" x 4' Radius R PANEL W/0 Z
5R42633XX04000	1	6'-3 3/8" x 4' Radius R PANEL W/0 Z
5S42183XXX0	1	1'-8 3/8" Straight PANEL W/0 Z
5S42700XXX2	2	7' Straight PANEL W/2 Z
5S42800XXX2	3	8' Straight PANEL W/2 Z



<b>Date:</b> 5/10/2022	<b>Perimeter:</b> 114'-9 1/4"	
<b>Drawn By:</b> JESSE H	<b>Area:</b> 644.5 SQ. FT.	
<b>Scale:</b> 1/8" = 1'-0"	<b>Notes:</b> -----	

This information is the confidential property of Cardinal Systems, Inc. Disclosure or duplication without proper written approval is strictly prohibited. Acceptance and use of this drawing constitutes knowledge and acceptance by the user of the terms and conditions set forth in the notice and warning which accompanied this drawing is incorporated herein and made part hereof and is found on Cardinal Systems, Inc's website at www.CardinalSystemsInc.com



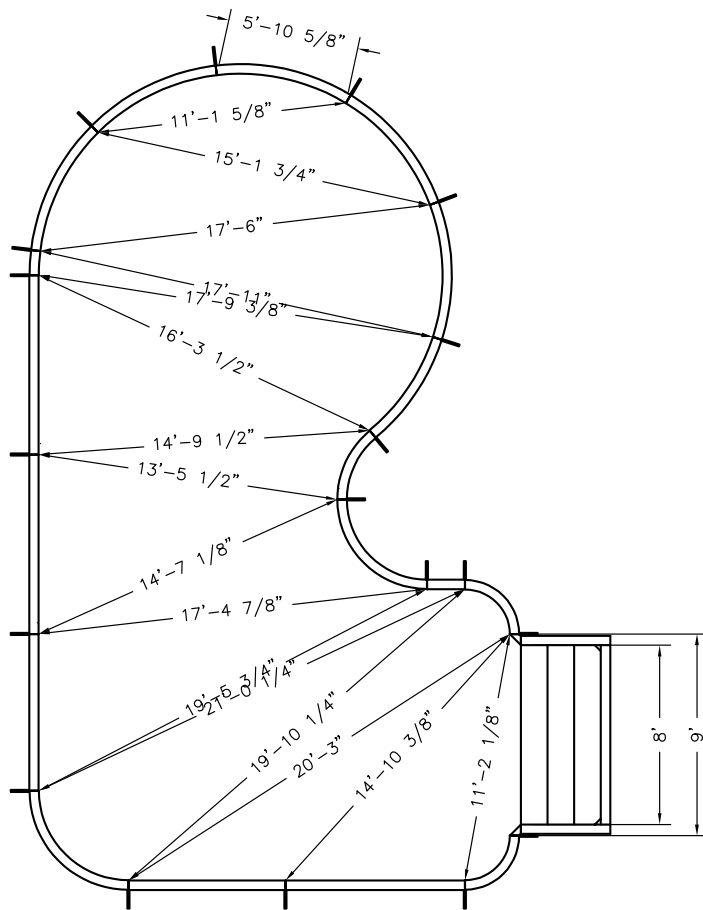
**Pool Size:** 18' X 36'


**Pool Shape:** CELEBRITY

**Pool Number:** 1836CELEB – (STEEL)

**Approx Gal:** 23,444

250 Route 61 South, Schuylkill Haven, PA 17972 • 570-385-4733 • fax: 570-385-1318 • CustomerService@CardinalSystemsInc.com



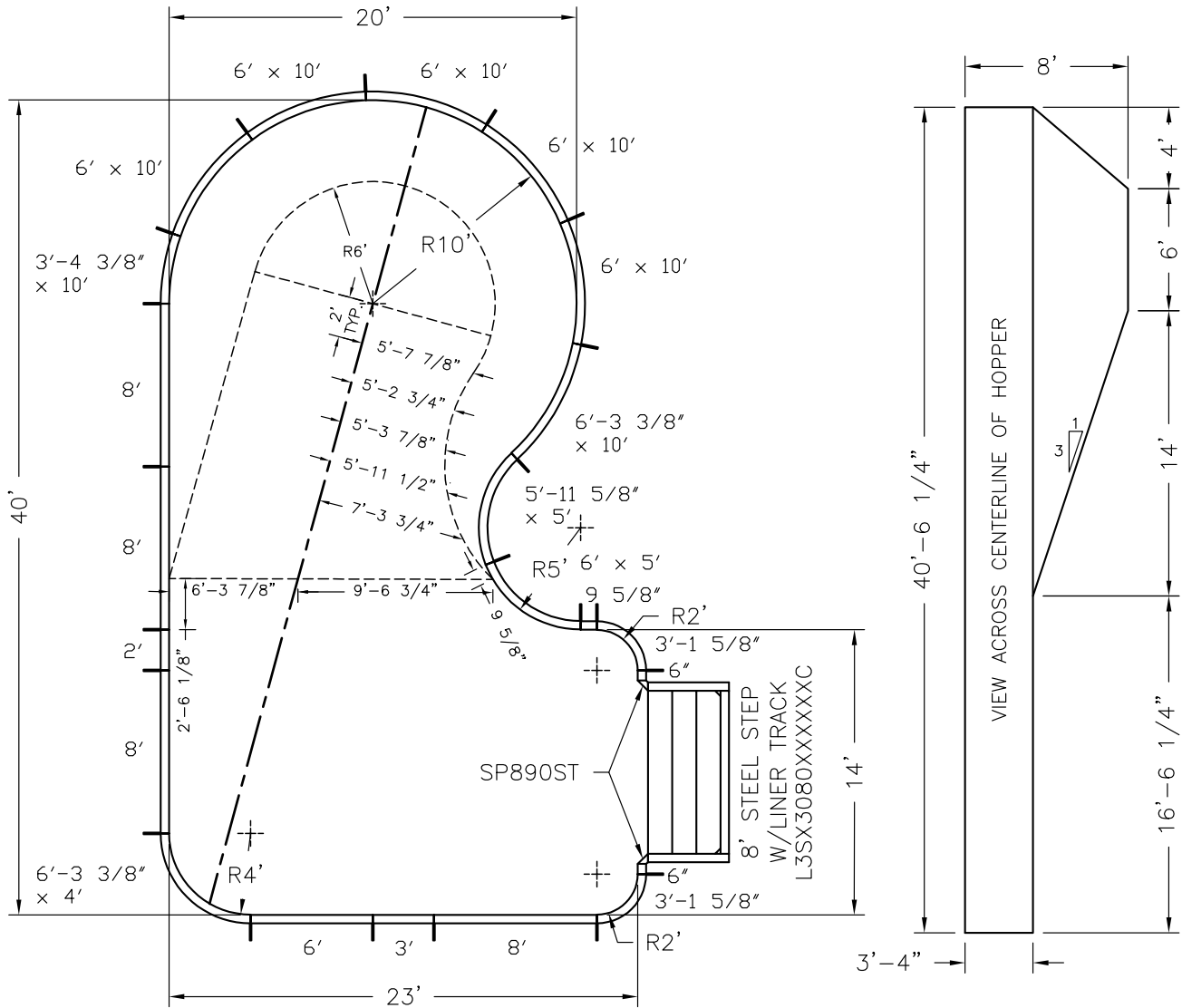
<b>Date:</b> 5/10/2022	<b>Perimeter:</b> 114'-9 1/4"	 cardinalpools.com
<b>Drawn By:</b> JESSE H	<b>Area:</b> 644.5 SQ. FT.	
<b>Scale:</b> 1/8" = 1'-0"	<b>Notes:</b> -----	

This Information Is the confidential property of Cardinal Systems, Inc. Disclosure or duplication without proper written approval is strictly prohibited. Acceptance and use of this drawing constitutes knowledge and acceptance by the user of the terms and conditions set forth in the notice and warning which accompanied this drawing is incorporated herein and made part hereof and is found on Cardinal Systems, Inc's website at www.CardinalSystemsInc.com



**Pool Size:** 20' X 40'  
**Pool Shape:** CELEBRITY **Approx Gal:** 28,555  
**Pool Number:** 2040CELEB – (STEEL)

250 Route 61 South, Schuylkill Haven, PA 17972 • 570-385-4733 • fax: 570-385-1318 • CustomerService@CardinalSystemsinc.com



**Date:** 5/10/2022

**Perimeter:** 125'-6 1/4"

**Drawn By:** JESSE H

**Area:** 785.0 SQ. FT.

**Scale:** 1/8" = 1'-0"

**Notes:** -----



cardinalpools.com

This information is the confidential property of Cardinal Systems, Inc. Disclosure or duplication without proper written approval is strictly prohibited. Acceptance and use of this drawing constitutes knowledge and acceptance by the user of the terms and conditions set forth in the notice and warning which accompanied this drawing is incorporated herein and made part hereof and is found on Cardinal Systems, Inc.'s website at www.CardinalSystemsInc.com




**Pool Size:** 20' X 40'  
**Pool Shape:** CELEBRITY **Approx Gal:** 28,555  
**Pool Number:** 2040CELEB – (STEEL)

250 Route 61 South, Schuylkill Haven, PA 17972 • 570-385-4733 • fax: 570-385-1318 • CustomerService@CardinalSystemsinc.com

Bill of Materials

PART NO.	QUANTITY	DESCRIPTION
"A" FRAME	21	"A" FRAME ASSEMBLY
5C42315XX02000	2	2' RADIUS CORNER
L3SX3080XXXXXXC	1	8' STEEL STEP W/LINER TRACK
SP890ST	2	STRAIGHT WALL STEP TRANSITION
5C42343XX10000	1	3'-4 3/8" x 10' Radius C PANEL W/0 Z
5C42600XX10000	5	6' x 10' Radius C PANEL W/0 Z
5C42633XX10000	1	6'-3 3/8" x 10' Radius C PANEL W/0 Z
5C42633XX04000	1	6'-3 3/8" x 4' Radius C PANEL W/0 Z
5R425E5XX05000	1	5'-11 5/8" x 5' Radius R PANEL W/0 Z
5R42600XX05000	1	6' x 5' Radius R PANEL W/0 Z
5S42060XXX0	2	6" Straight PANEL W/0 Z
5S42095XXX0	1	9 5/8" Straight PANEL W/0 Z
5S42200XXX0	1	2" Straight PANEL W/0 Z
5S42300XXX0	1	3" Straight PANEL W/0 Z
5S42600XXX1	1	6" Straight PANEL W/1 Z
5S42800XXX2	4	8" Straight PANEL W/2 Z

<b>Date:</b> 5/10/2022	<b>Perimeter:</b> 125' - 6 1/4"	 <small>cardinalpools.com</small>
<b>Drawn By:</b> JESSE H	<b>Area:</b> 785.0 SQ. FT.	
<b>Scale:</b> 1/8" = 1'-0"	<b>Notes:</b> - - - -	

This information is the confidential property of Cardinal Systems, Inc. Disclosure or duplication without proper written approval is strictly prohibited. Acceptance and use of this drawing constitutes knowledge and acceptance by the user of the terms and conditions set forth in the notice and warning which accompanied this drawing is incorporated herein and made part hereof and is found on Cardinal Systems, Inc's website at [www.CardinalSystemsInc.com](http://www.CardinalSystemsInc.com)



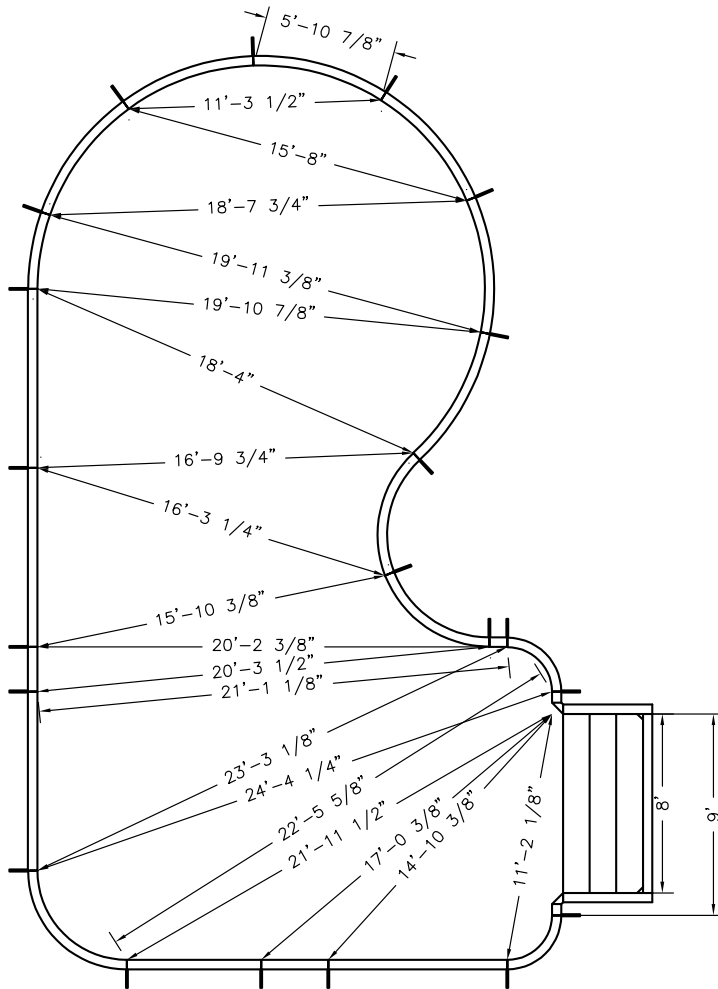
**Pool Size:** 20' X 40'

**Pool Shape:** CELEBRITY

**Pool Number:** 2040CELEB – (STEEL)

**Approx Gal:** 28,555

250 Route 61 South, Schuylkill Haven, PA 17972 • 570-385-4733 • fax: 570-385-1318 • CustomerService@CardinalSystemsinc.com



**Date:** 5/10/2022

**Perimeter:** 125'-6 1/4"

**Drawn By:** JESSE H

**Area:** 785.0 SQ. FT.

**Scale:** 1/8" = 1'-0"

**Notes:** -----



cardinalpools.com

This information is the confidential property of Cardinal Systems, Inc. Disclosure or duplication without proper written approval is strictly prohibited. Acceptance and use of this drawing constitutes knowledge and acceptance by the user of the terms and conditions set forth in the notice and warning which accompanied this drawing is incorporated herein and made part hereof and is found on Cardinal Systems, Inc.'s website at [www.CardinalSystemsInc.com](http://www.CardinalSystemsInc.com)



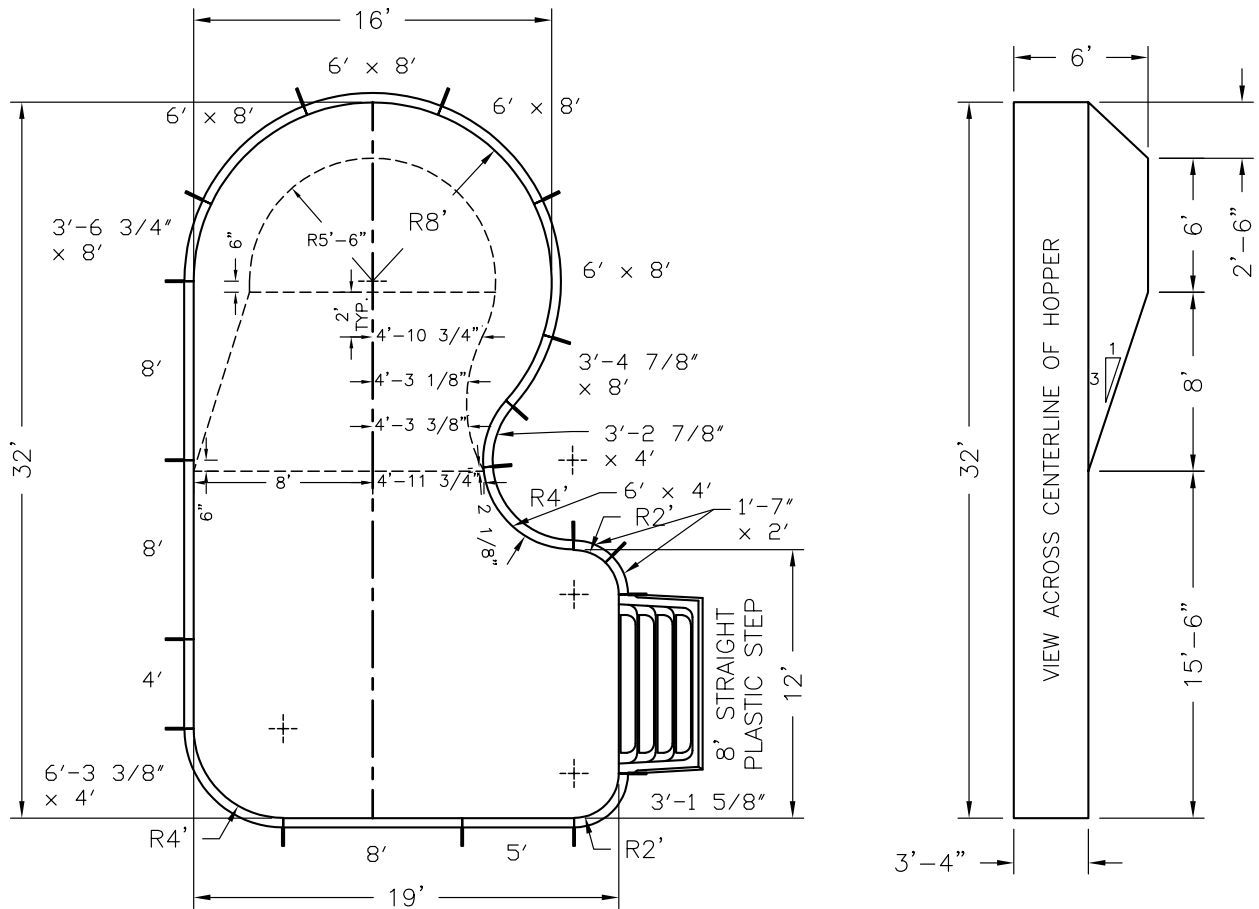


**Pool Size:** 16' X 32'  
**Pool Shape:** CELEBRITY **Approx Gal:** 15,807  
**Pool Number:** 1632CELEB – (PLASTIC)

250 Route 61 South, Schuylkill Haven, PA 17972 • 570-385-4733 • fax: 570-385-1318 • CustomerService@CardinalSystemsinc.com

### Bill of Materials

PART NO.	QUANTITY	DESCRIPTION
"A" FRAME	18	"A" FRAME ASSEMBLY
5C42315XX02000	1	2' RADIUS CORNER
5C42170XX02000	2	1'-7" x 2' Radius C PANEL W/O Z
5C42347XX08000	1	3'-4 7/8" x 8' Radius C PANEL W/O Z
5C42366XX08000	1	3'-6 3/4" x 8' Radius C PANEL W/O Z
5C42600XX08000	4	6' x 8' Radius C PANEL W/O Z
5C42633XX04000	1	6'-3 3/8" x 4' Radius C PANEL W/O Z
5R42327XX04000	1	3'-2 7/8" x 4' Radius R PANEL W/O Z
5R42600XX04000	1	6' x 4' Radius R PANEL W/O Z
5S42400XXX0	1	4' Straight PANEL W/O Z
5S42500XXX0	1	5' Straight PANEL W/O Z
5S42800XXX2	3	8' Straight PANEL W/2 Z



NOTE: THIS IS A NON DIVING POOL.

Date: 5/10/2022

Perimeter: 93'-9 1/2"

Drawn By: JESSE H

Area: 495.9 SQ. FT.

Scale: 1/8" = 1'-0"

Notes: - - - -



cardinalpools.com

This information is the confidential property of Cardinal Systems, Inc. Disclosure or duplication without proper written approval is strictly prohibited. Acceptance and use of this drawing constitutes knowledge and acceptance by the user of the terms and conditions set forth in the notice and warning which accompanied this drawing is incorporated herein and made part hereof and is found on Cardinal Systems, Inc's website at www.CardinalSystemsInc.com



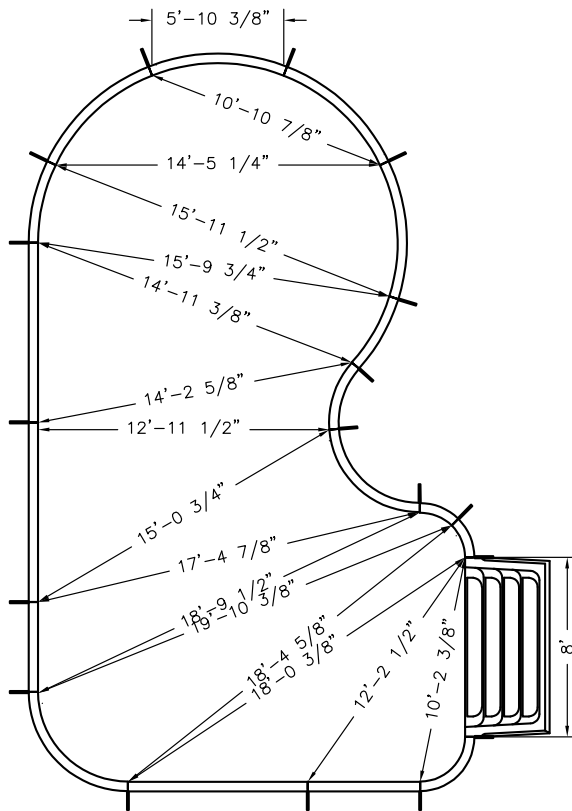
**Pool Size:** 16' X 32'

**Pool Shape:** CELEBRITY

**Approx Gal:** 15,807

**Pool Number:** 1632CELEB – (PLASTIC)

250 Route 61 South, Schuylkill Haven, PA 17972 • 570-385-4733 • fax: 570-385-1318 • CustomerService@CardinalSystemsinc.com



**Date:** 5/10/2022

**Perimeter:** 93'-9 1/2"

**Drawn By:** JESSE H

**Area:** 495.9 SQ. FT.

**Scale:** 1/8" = 1'-0"

**Notes:** -----



cardinalpools.com

This information is the confidential property of Cardinal Systems, Inc. Disclosure or duplication without proper written approval is strictly prohibited. Acceptance and use of this drawing constitutes knowledge and acceptance by the user of the terms and conditions set forth in the notice and warning which accompanied this drawing is incorporated herein and made part hereof and is found on Cardinal Systems, Inc's website at [www.CardinalSystemsInc.com](http://www.CardinalSystemsInc.com)

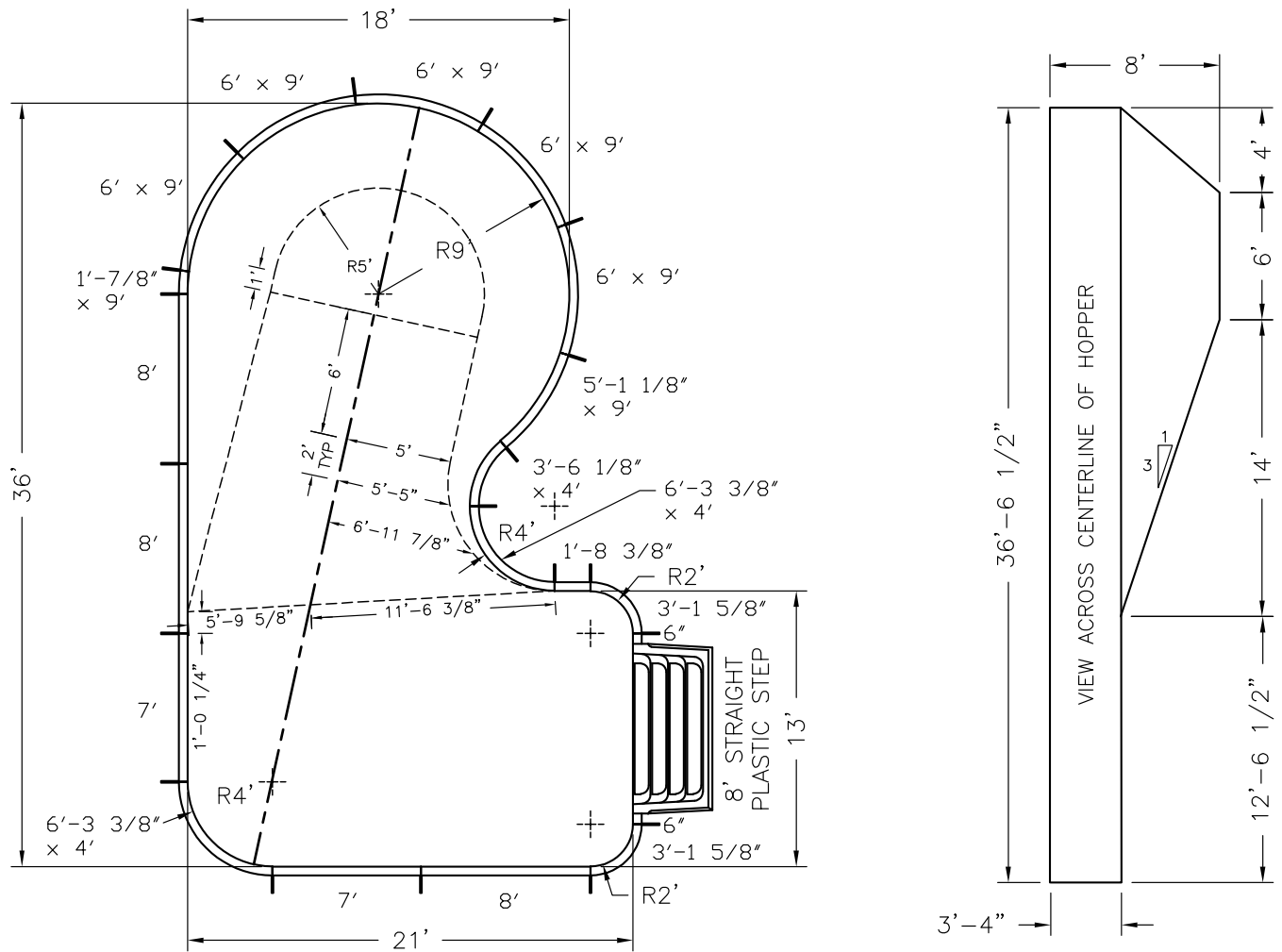



**Pool Size:** 18' X 36'  
**Pool Shape:** CELEBRITY **Approx Gal:** 22,255  
**Pool Number:** 1836CELEB – (PLASTIC)

250 Route 61 South, Schuylkill Haven, PA 17972 • 570-385-4733 • fax: 570-385-1318 • CustomerService@CardinalSystemsinc.com

### Bill of Materials

PART NO.	QUANTITY	DESCRIPTION
"A" FRAME	19	"A" FRAME ASSEMBLY
5C42315XX02000	2	2' RADIUS CORNER
5C42107XX09000	1	1'-7/8" x 9' Radius C PANEL W/O Z
5C42511XX09000	1	5'-1 1/8" x 9' Radius C PANEL W/O Z
5C42600XX09000	5	6' x 9' Radius C PANEL W/O Z
5C42633XX04000	1	6'-3 3/8" x 4' Radius C PANEL W/O Z
5R42361XX04000	1	3'-6 1/8" x 4' Radius R PANEL W/O Z
5R42633XX04000	1	6'-3 3/8" x 4' Radius R PANEL W/O Z
5S42060XXX0	2	6" Straight PANEL W/O Z
5S42183XXX0	1	1'-8 3/8" Straight PANEL W/O Z
5S42700XXX2	2	7" Straight PANEL W/2 Z
5S42800XXX2	3	8" Straight PANEL W/2 Z



<b>Date:</b> 5/10/2022	<b>Perimeter:</b> 107'-2 3/4"	 cardinalpools.com
<b>Drawn By:</b> JESSE H	<b>Area:</b> 611.8 SQ. FT.	
<b>Scale:</b> 1/8" = 1'-0"	<b>Notes:</b> -----	

This information is the confidential property of Cardinal Systems, Inc. Disclosure or duplication without proper written approval is strictly prohibited. Acceptance and use of this drawing constitutes knowledge and acceptance by the user of the terms and conditions set forth in the notice and warning which accompanied this drawing is incorporated herein and made part hereof and is found on Cardinal Systems, Inc's website at www.CardinalSystemsInc.com



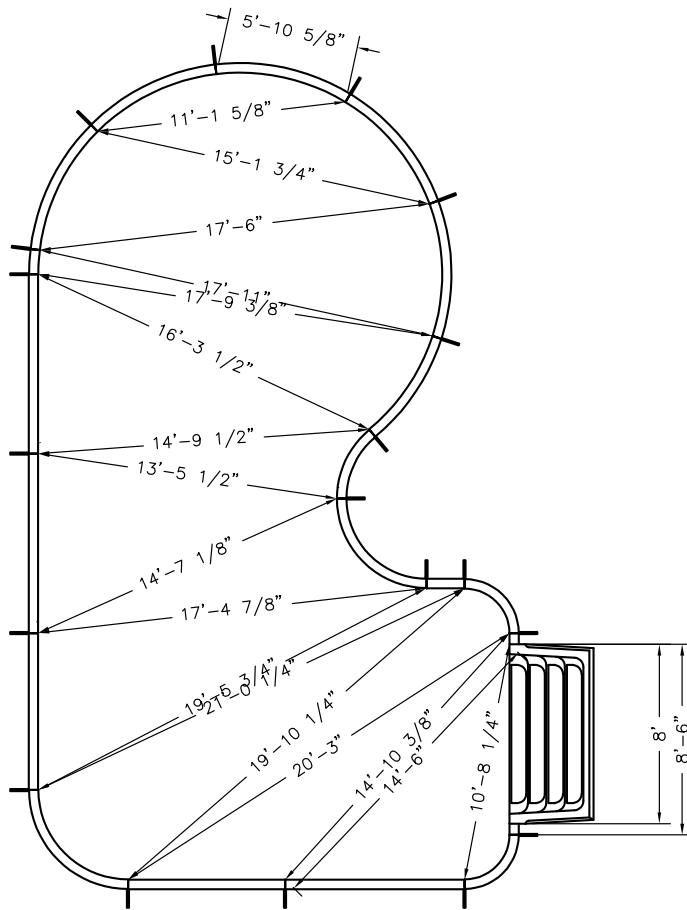
**Pool Size:** 18' X 36'


**Pool Shape:** CELEBRITY

**Pool Number:** 1836CELEB – (PLASTIC)

**Approx Gal:** 22,255

250 Route 61 South, Schuylkill Haven, PA 17972 • 570-385-4733 • fax: 570-385-1318 • CustomerService@CardinalSystemsinc.com



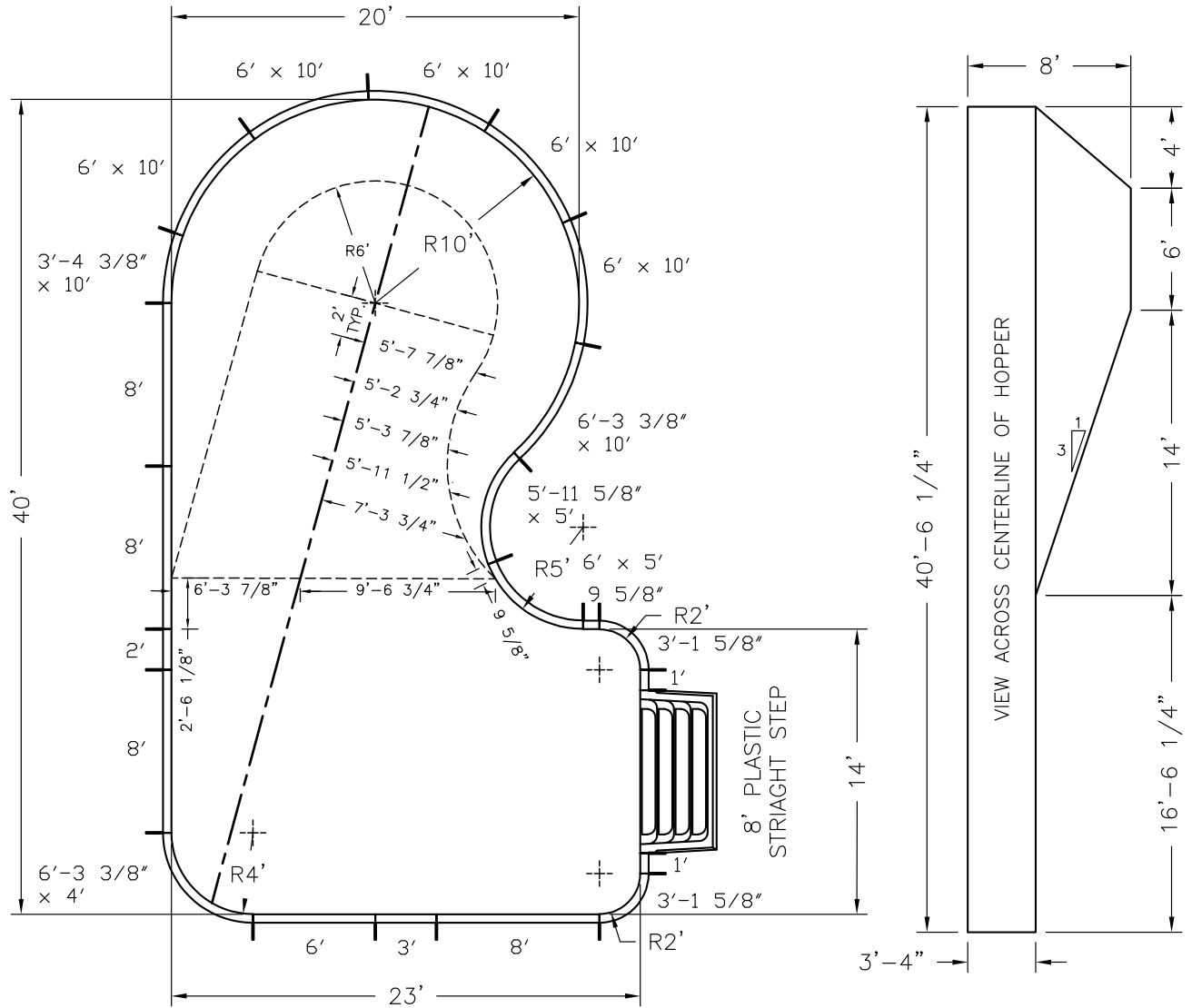
<b>Date:</b> 5/10/2022	<b>Perimeter:</b> 107'-2 3/4"	 cardinalpools.com
<b>Drawn By:</b> JESSE H	<b>Area:</b> 611.8 SQ. FT.	
<b>Scale:</b> 1/8" = 1'-0"	<b>Notes:</b> - - - -	


This information is the confidential property of Cardinal Systems, Inc. Disclosure or duplication without proper written approval is strictly prohibited. Acceptance and use of this drawing constitutes knowledge and acceptance by the user of the terms and conditions set forth in the notice and warning which accompanied this drawing is incorporated herein and made part hereof and is found on Cardinal Systems, Inc.'s website at www.CardinalSystemsInc.com



**Pool Size:** 20' X 40'  
**Pool Shape:** CELEBRITY **Approx Gal:** 27,362  
**Pool Number:** 2040CELEB – (PLASTIC)

250 Route 61 South, Schuylkill Haven, PA 17972 • 570-385-4733 • fax: 570-385-1318 • CustomerService@CardinalSystemsinc.com



<b>Date:</b> 5/10/2022	<b>Perimeter:</b> 117' - 11 7/8"	 cardinalpools.com
<b>Drawn By:</b> JESSE H	<b>Area:</b> 752.2 SQ. FT.	
<b>Scale:</b> 1/8" = 1'-0"	<b>Notes:</b> - - - -	

This Information is the confidential property of Cardinal Systems, Inc. Disclosure or duplication without proper written approval is strictly prohibited. Acceptance and use of this drawing constitutes knowledge and acceptance by the user of the terms and conditions set forth in the notice and warning which accompanied this drawing is incorporated herein and made part hereof and is found on Cardinal Systems, Inc's website at www.CardinalSystemsInc.com




**Pool Size:** 20' X 40'  
**Pool Shape:** CELEBRITY **Approx Gal:** 27,362  
**Pool Number:** 2040CELEB – (PLASTIC)

250 Route 61 South, Schuylkill Haven, PA 17972 • 570-385-4733 • fax: 570-385-1318 • CustomerService@CardinalSystemsinc.com

Bill of Materials

PART NO.	QUANTITY	DESCRIPTION
"A" FRAME	23	"A" FRAME ASSEMBLY
5C42315XX02000	2	2' RADIUS CORNER
5C42343XX10000	1	3'-4 3/8" x 10' Radius C PANEL W/0 Z
5C42600XX10000	5	6' x 10' Radius C PANEL W/0 Z
5C42633XX04000	1	6'-3 3/8" x 4' Radius C PANEL W/0 Z
5C42633XX10000	1	6'-3 3/8" x 10' Radius C PANEL W/0 Z
5R425E5XX05000	1	5'-11 5/8" x 5' Radius R PANEL W/0 Z
5R42600XX05000	1	6' x 5' Radius R PANEL W/0 Z
5S42095XXX0	1	9 5/8" Straight PANEL W/0 Z
5S42100XXX0	2	1' Straight PANEL W/0 Z
5S42200XXX0	1	2' Straight PANEL W/0 Z
5S42300XXX0	1	3' Straight PANEL W/0 Z
5S42600XXX1	1	6' Straight PANEL W/1 Z
5S42800XXX2	4	8' Straight PANEL W/2 Z

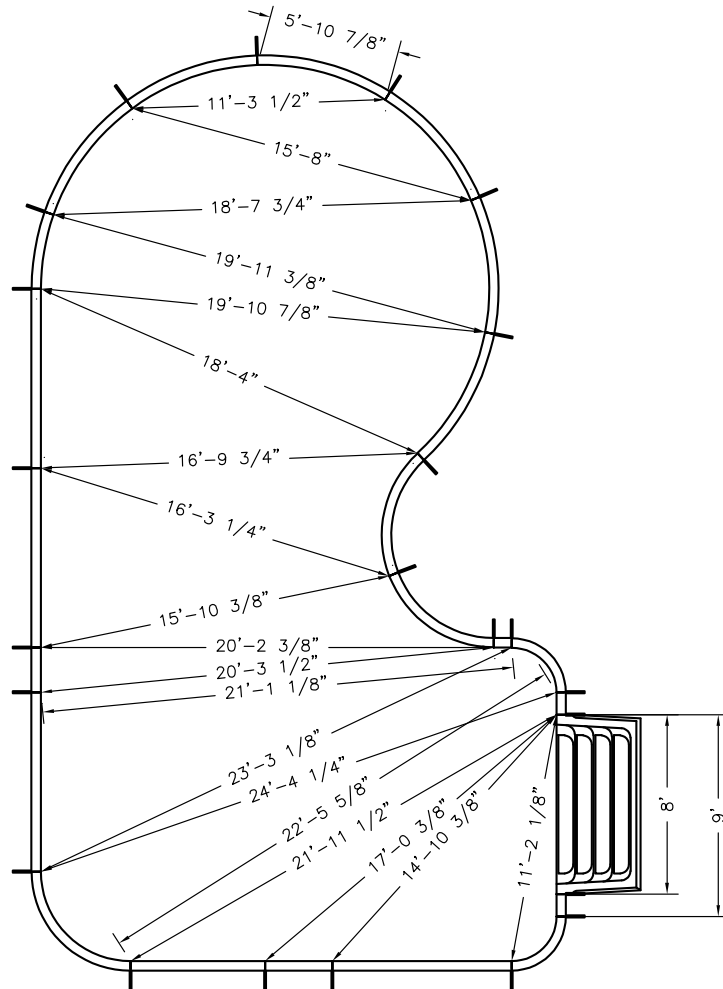
<b>Date:</b> 5/10/2022	<b>Perimeter:</b> 117'-11 7/8"	 cardinalpools.com
<b>Drawn By:</b> JESSE H	<b>Area:</b> 752.2 SQ. FT.	
<b>Scale:</b> 1/8" = 1'-0"	<b>Notes:</b> -----	

This information is the confidential property of Cardinal Systems, Inc. Disclosure or duplication without proper written approval is strictly prohibited. Acceptance and use of this drawing constitutes knowledge and acceptance by the user of the terms and conditions set forth in the notice and warning which accompanied this drawing is incorporated herein and made part hereof and is found on Cardinal Systems, Inc's website at www.CardinalSystemsInc.com



**Pool Size:** 20' X 40'  
**Pool Shape:** CELEBRITY **Approx Gal:** 27,362  
**Pool Number:** 2040CELEB – (PLASTIC)

250 Route 61 South, Schuylkill Haven, PA 17972 • 570-385-4733 • fax: 570-385-1318 • CustomerService@CardinalSystemsinc.com



**Date:** 5/10/2022

**Perimeter:** 117'-11 7/8"

**Drawn By:** JESSE H

**Area:** 752.2 SQ. FT.

**Scale:** 1/8" = 1'-0"

**Notes:** -----



This Information Is the confidential property of Cardinal Systems, Inc. Disclosure or duplication without proper written approval Is strictly prohibited. Acceptance and use of this drawing constitutes knowledge and acceptance by the user of the terms and conditions set forth in the notice and warning which accompanied this drawing Is incorporated herein and made part hereof and is found on Cardinal Systems, Inc's website at www.CardinalSystemsinc.com