

Cardinal

# STEEL DIG SPEC BOOK

PANEL LAYOUT & DIG SPECIFICATION MANUAL

# INDEX

PAGE	DESCRIPTION
2-5	Index
6-14	Part Details & Assembly
<b>Rectangle</b>	
15-20	Rectangle 6 in. (Steel Step)
21-26	Rectangle 6 in. (Poured Steel Step)
27-32	Rectangle 6 in. (Thermoplastic Step)
33-38	Rectangle 6 in. (Poured Steel Step - Sundeck)
39-50	Rectangle 6 in. (Steel Corner Step- Bench)
51-60	Rectangle 6 in. (Poured Steel Corner Step - Bench)
61-66	Rectangle 2' Radius (Steel Step)
67-72	Rectangle 2' Radius (Thermoplastic Step)
73-78	Rectangle 4' Radius (Steel Step)
79-84	Rectangle 4' Radius (Thermoplastic Step)
<b>True Ell</b>	
85-86	True Ell 6 in. (Steel Step)
87-88	True Ell 6 in. (Thermoplastic Step)
89-90	True Ell 2' Radius (Steel Step)
91-92	True Ell 2' Radius (Thermoplastic Step)
93-94	True Ell 4' Radius (Steel Step)
95-96	True Ell 4' Radius (Thermoplastic Step)
97-98	Grecian True Ell (Steel Step)
99-101	Roman True Ell (Steel Step)
102-104	Roman True Ell (Thermoplastic Step)
<b>Lazy Ell</b>	
105-107	Lazy Ell 6 in. (Steel Step)
108-110	Lazy Ell 6 in. (Thermoplastic Step)
111-113	Lazy Ell 2' Radius (Steel Step)
114-116	Lazy Ell 2' Radius (Thermoplastic Step)
117-119	Lazy Ell 4' Radius (Steel Step)
120-122	Lazy Ell 4' Radius (Thermoplastic Step)
123-126	Grecian Lazy Ell 4' Radius (Steel Step)
127-131	Grecian Lazy Ell 4' Radius (Thermoplastic Step)



PAGE	DESCRIPTION
<b>Tee</b>	
132-135	Tee 6 in. (Steel Step)
136-137	Tee 6 in. (Thermoplastic Step)
138-141	Tee 2' Radius (Steel Step)
142-143	Tee 2' Radius (Thermoplastic Step)
144-146	Tee 4' Radius (Steel Step)
147-148	Tee 4' Radius (Thermoplastic Step)
<b>Roman End</b>	
149-151	Roman End 6 in. (Steel Step)
152-154	Roman End 6 in. (Thermoplastic Step)
155-157	Roman End 2' Radius (Steel Step)
158-160	Roman End 2' Radius (Thermoplastic Step)
<b>Double Roman End</b>	
161-163	Double Roman End 6 in. (Steel Step)
164-166	Double Roman End 6 in. (Thermoplastic Step)
167-169	Double Roman End 2' Radius (Steel Step)
170-172	Double Roman End 2' Radius (Thermoplastic Step)
<b>Grecian</b>	
173-180	Grecian (Steel Step)
181-188	Grecian (Thermoplastic Step)
<b>Gothic</b>	
189-191	Gothic 2' Reverse Radius (Steel Step)
192-194	Gothic 2' Reverse Radius (Thermoplastic Step)
195-197	Gothic 3' Reverse Radius (Steel Step)
198-200	Gothic 3' Reverse Radius (Thermoplastic Step)
201-203	Gothic 4' Reverse Radius (Steel Step)
204-206	Gothic 4' Reverse Radius (Thermoplastic Step)
207-209	Gothic 5' Reverse Radius (Steel Step)
210-212	Gothic 5' Reverse Radius (Thermoplastic Step)
<b>Double Rectangle</b>	
213-226	Double Rectangle 6 in. (Steel Step)
227-241	Double Rectangle 6 in. (Thermoplastic Step)
242-254	Double Rectangle 2' Radius (Steel Step)
<b>Oval</b>	
255-260	Oval (Steel Step)
261-266	Oval (Thermoplastic Step)
<b>Kidney</b>	
267-271	Kidney 1428 (Steel Step)
272-276	Kidney 1632 (Steel Step)
277-281	Kidney 1634 (Steel Step)

PAGE	DESCRIPTION
282-286	Kidney 1636 (Steel Step)
287-291	Kidney 1834 (Steel Step)
292-296	Kidney 2241 (Steel Step)
297-301	Kidney 1428 (Thermoplastic Step)
302-306	Kidney 1632 (Thermoplastic Step)
307-311	Kidney 1634 (Thermoplastic Step)
312-316	Kidney 1636 (Thermoplastic Step)
317-321	Kidney 1834 (Thermoplastic Step)
322-326	Kidney 2241 (Thermoplastic Step)
<b>Straight Wall Kidney</b>	
327-331	Straight Wall Kidney 1428 (Steel Step)
332-336	Straight Wall Kidney 1632 (Steel Step)
337-341	Straight Wall Kidney 1836 (Steel Step)
342-346	Straight Wall Kidney 2040 (Steel Step)
347-351	Straight Wall Kidney 1428 (Thermoplastic Step)
352-356	Straight Wall Kidney 1632 (Thermoplastic Step)
357-361	Straight Wall Kidney 1836 (Thermoplastic Step)
362-366	Straight Wall Kidney 2040 (Thermoplastic Step)
<b>Martinique</b>	
367-374	Martinique 6 in. (Steel Step)
375-382	Martinique 6 in. (Thermoplastic Step)
383-390	Martinique 2' Radius (Steel Step)
391-398	Martinique 2' Radius (Thermoplastic Step)
<b>Celebrity</b>	
399-403	Celebrity 1632 (Steel Step)
404-408	Celebrity 1836 (Steel Step)
409-414	Celebrity 2040 (Steel Step)
415-419	Celebrity 1632 (Thermoplastic Step)
420-424	Celebrity 1836 (Thermoplastic Step)
425-430	Celebrity 2040 (Thermoplastic Step)
<b>Mountain Lake</b>	
431-437	Mountain Lake 1836 (Steel Step)
438-444	Mountain Lake 2140 (Steel Step)
445-451	Mountain Lake 1836 (Thermoplastic Step)
452-458	Mountain Lake 2140 (Thermoplastic Step)
<b>Oasis</b>	
459-463	Oasis 1634 (Steel Step)
464-468	Oasis 1836 (Steel Step)
469-473	Oasis 1838 (Steel Step)
474-478	Oasis 2040 (Steel Step)



PAGE	DESCRIPTION
479-483	Oasis 1634 (Thermoplastic Step)
484-488	Oasis 1836 (Thermoplastic Step)
489-493	Oasis 1838 (Thermoplastic Step)
494-498	Oasis 2040 (Thermoplastic Step)
<b>Mountain Pond</b>	
499-503	Mountain Pond 1428 (Steel Step)
504-508	Mountain Pond 1632 (Steel Step)
500-513	Mountain Pond 1836 (Steel Step)
514-519	Mountain Pond 2040 (Steel Step)
520-524	Mountain Pond 1428 (Thermoplastic Step)
525-529	Mountain Pond 1632 (Thermoplastic Step)
530-534	Mountain Pond 1836 (Thermoplastic Step)
535-541	Mountain Pond 2040 (Thermoplastic Step)
<b>Lagoon</b>	
542-546	Lagoon 18x29x35 [Version 1] (Steel Step)
547-551	Lagoon 18x29x35 [Version 2] (Steel Step)
552-557	Lagoon 22x34x40 [Version 1] (Steel Step)
558-563	Lagoon 22x34x40 [Version 2] (Steel Step)
564-568	Lagoon 18x29x35 (Thermoplastic Step)
569-574	Lagoon 22x34x40 (Thermoplastic Step)
<b>Figure 8</b>	
575-579	Figure 8 1428 (Steel Step)
580-584	Figure 8 1632 (Steel Step)
585-589	Figure 8 1836 (Steel Step)
590-594	Figure 8 2040 (Steel Step)
595-599	Figure 8 1428 (Thermoplastic Step)
600-604	Figure 8 1632 (Thermoplastic Step)
605-609	Figure 8 1836 (Thermoplastic Step)
610-614	Figure 8 2040 (Thermoplastic Step)

## **NOTICE AND WARNING**

Cardinal Systems, Inc. (“Cardinal”) is a designer of steel swimming pool components and prepares and uses CAD drawings (“Cardinal CAD Design Plans”) that relate to components of the swimming pools it designs as an installation aid to contractors and installers who are independent contractors and not agents of Cardinal. This Notice and Warning is part of and incorporated by reference into all Cardinal CAD Design Plans.

THE USER AGREES THAT ACCEPTANCE AND USE OF CARDINAL CAD DESIGN PLANS CONSTITUTES KNOWLEDGE AND ACCEPTANCE OF ALL OF THE TERMS AND CONDITIONS SET FORTH HEREIN AND ON THE NOTICE AND WARNING ON THE CARDINAL WEBSITE.

Cardinal is not responsible for the interior dig specifications illustrated on the drawing. Dig specifications should be verified by the liner manufacturer to assure compliance with the Association of Pool and Spa Professionals (APSP) standards. This pool may not comply with applicable standards for diving pools.

The pool depicted on this drawing may not be a diving pool or may depict a non-diving pool area. Regardless of the type of pool depicted, **NO DIVING IS PERMITTED IN A NON-DIVING POOL OR IN THE SHALLOW END OF A DIVING POOL. WARNING NOTICES AND NO DIVING NOTICES MUST BE POSTED WHERE DIVING IS PROHIBITED SUCH AS “DO NOT DIVE IN SHALLOW END” OR “NO DIVING ALLOWED”.**

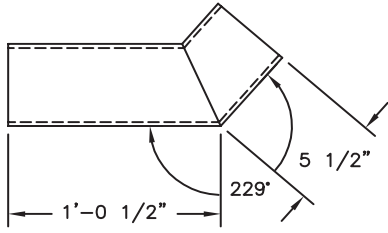
All diving equipment used and installed in connection with this pool must be specifically designated for and installed in accordance with manufacturer’s direction, APSP and International and Local Building Codes. If diving boards or slides are used with the pool, please consult the manufacturer’s instructions and the APSP’s minimum standards prior to installing diving boards or slides on this pool. For information concerning APSP minimum standards, write to: APSP, 2111 Eisenhower Avenue, Alexandria, Virginia, 22314, Telephone: (703) 838-0083.

Diving/sliding equipment shall be designed for the pool depicted by this drawing and installed in accordance with the diving/sliding equipment manufacturer’s specifications. Please contact the diving/sliding equipment manufacturer for their specifications. Always refer to diving board manufacturer’s instructions to correctly position and install diving and slide equipment.

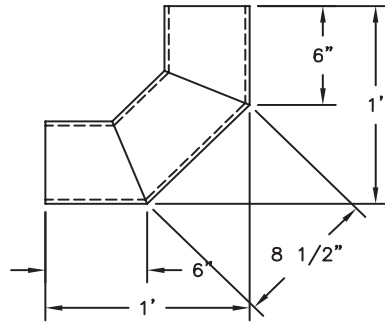
CARDINAL MAKES NO WARRANTY RELATING TO THE INSTALLATION OF THE POOL, DIVING EQUIPMENT OR SLIDES THROUGH THIS DRAWING. THIS DRAWING AND ALL CARDINAL CAD DESIGN PLANS ARE FOR ILLUSTRATIVE AND LANDSCAPE DESIGN PURPOSES ONLY AND NOT INTENDED TO BE USED FOR FINAL CONSTRUCTION DRAWINGS, WHICH ARE ACKNOWLEDGED BY THE USER. ANY STATUTORY OR IMPLIED WARRANTIES OF MERCHANTABILITY OR FITNESS FOR A PARTICULAR PURPOSE ARE HEREBY SPECIFICALLY DISCLAIMED AND EXCLUDED.

No representative of Cardinal or any of its agents, distributors or dealers has any authority to alter in any manner the terms and conditions set forth herein and Cardinal is not responsible for any undertaking, representation or warranty made by any other person beyond those expressly set forth herein.

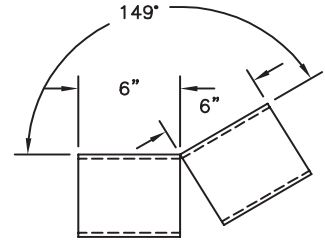




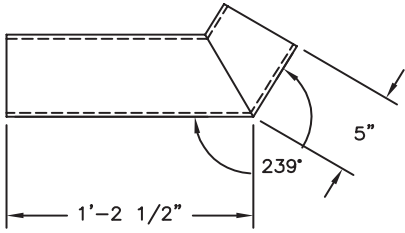
16' ROMAN END TRANSITION  
(2) REQ'D.



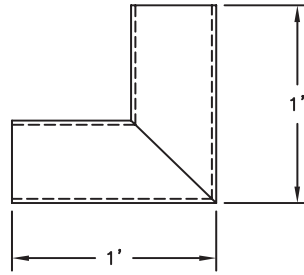
DOUBLE 225°  
TRUE ELL TRANSITION



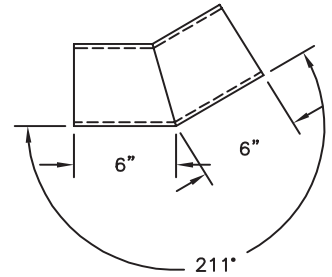
31° LAZY ELL TRANSITION



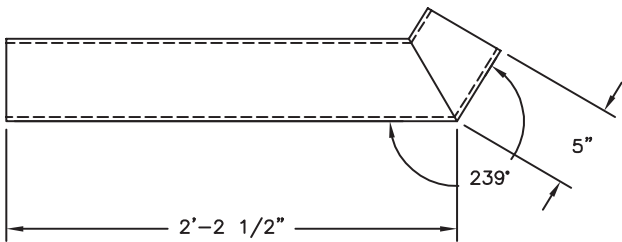
18' ROMAN END TRANSITION  
(2) REQ'D.



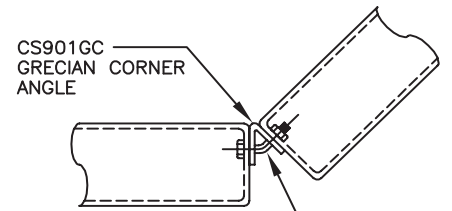
270° TRUE ELL TRANSITION



31° LAZY ELL TRANSITION

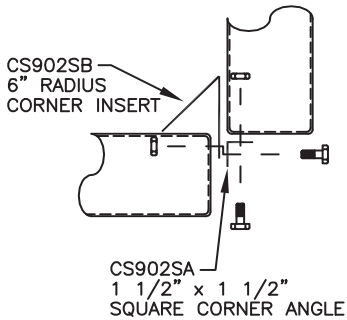


20' ROMAN END TRANSITION  
(2) REQ'D.



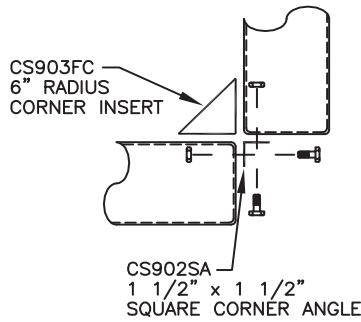
CS901GC  
GRECIAN CORNER  
ANGLE

BP820GB  
GRECIAN  
BENT BOLT



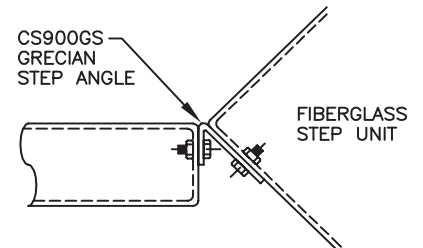
CS902SB  
6\"/>

CS902SA  
1 1/2\"/>



CS903FC  
6\"/>

CS902SA  
1 1/2\"/>



CS900GS  
GRECIAN  
STEP ANGLE

FIBERGLASS  
STEP UNIT

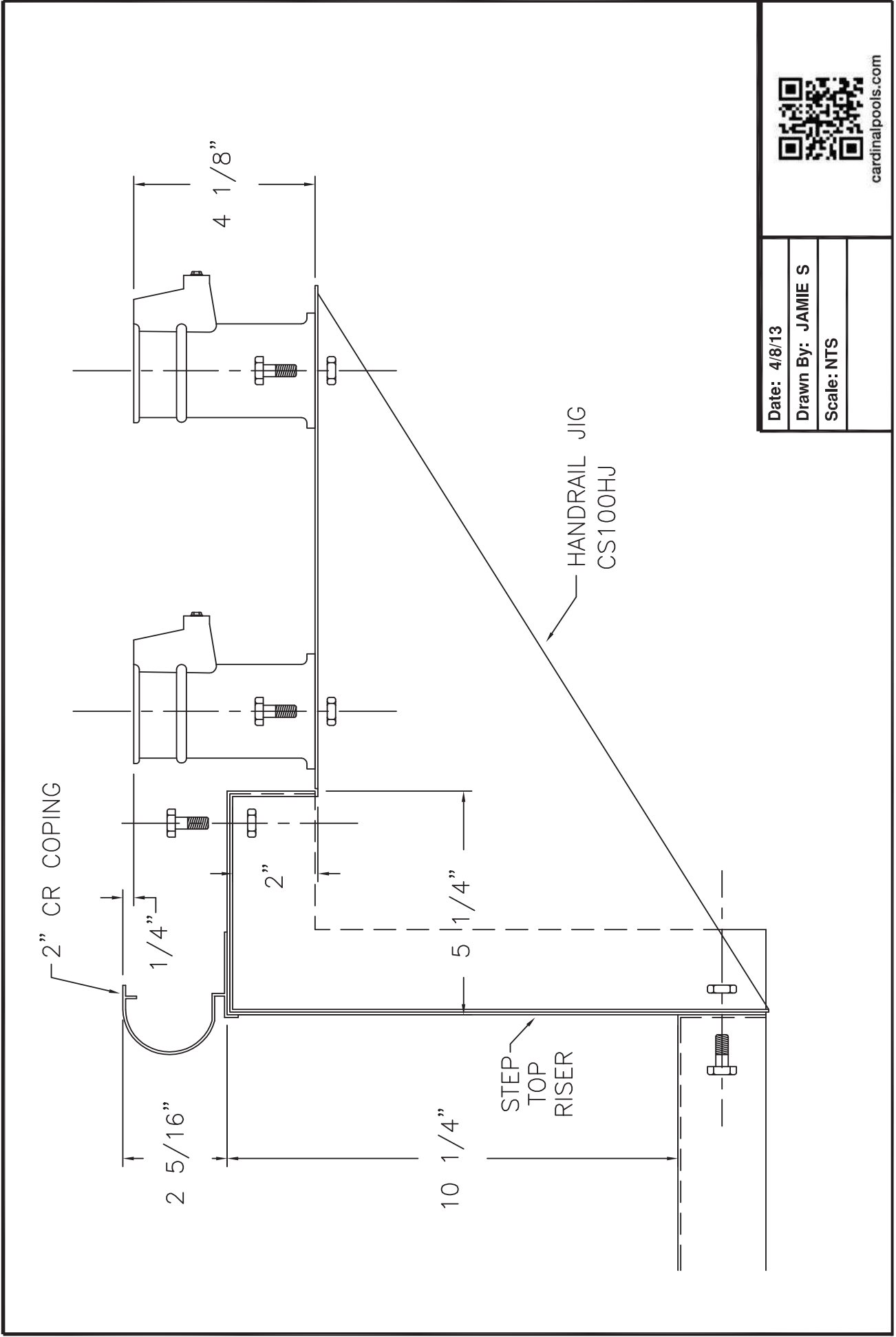


Name: HANDRAIL JIG ASSY. W/ "CR" COPING

Number: HRJIG2

a division of Cardinal Systems, Inc.

250 Route 61 South, Schuylkill Haven, PA 17972 • 570-385-4733 • fax: 570-385-1318 • CustomerService@CardinalSystemsinc.com



Date: 4/8/13
Drawn By: JAMIE S
Scale: NTS



cardinalpools.com

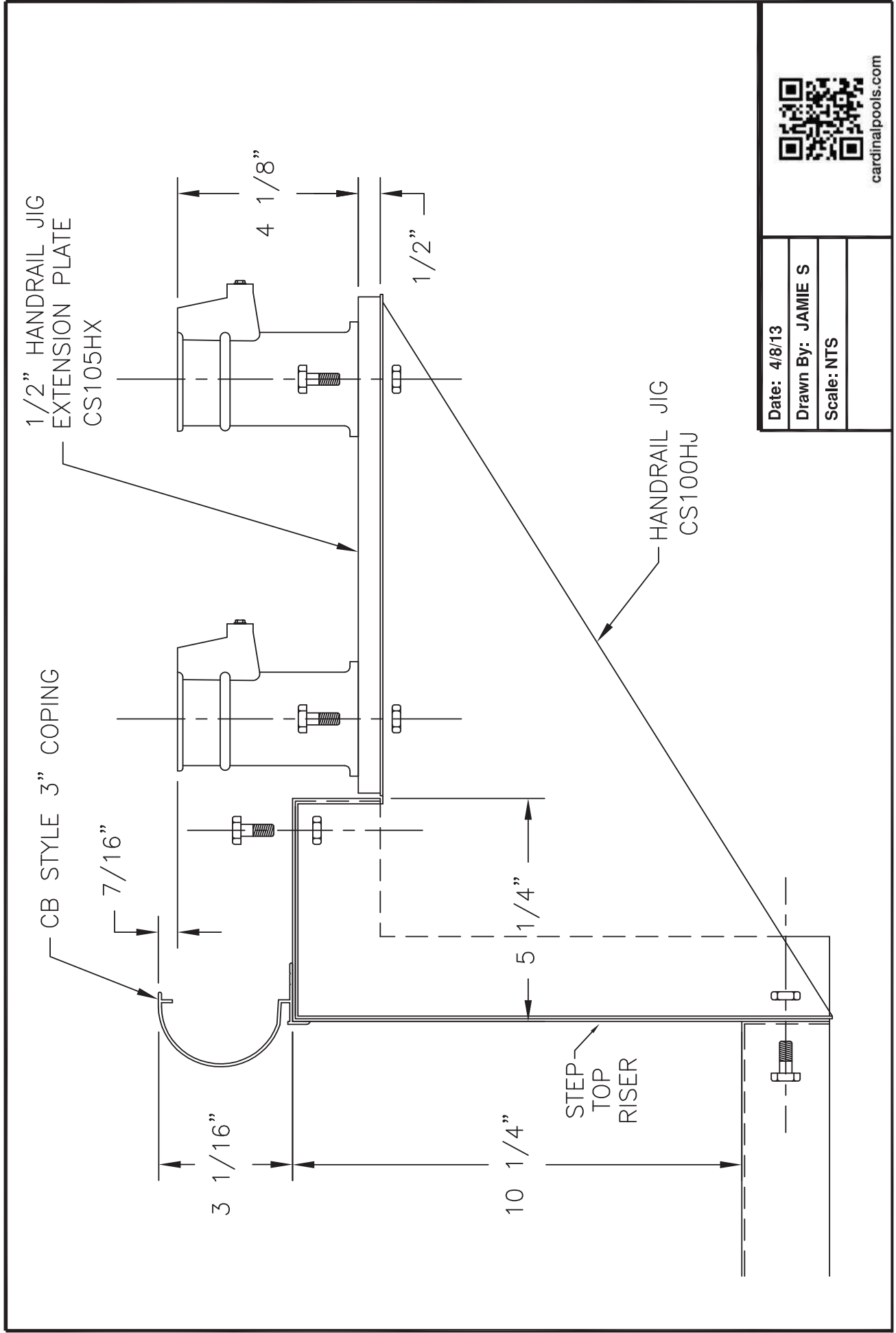




Name: HANDRAIL JIG ASSY. W/ "CB" COPING

Number: HRJIG3

250 Route 61 South, Schuylkill Haven, PA 17972 • 570-385-4733 • fax: 570-385-1318 • CustomerService@CardinalSystemsinc.com



Date: 4/8/13
Drawn By: JAMIE S
Scale: NTS



cardinalpools.com

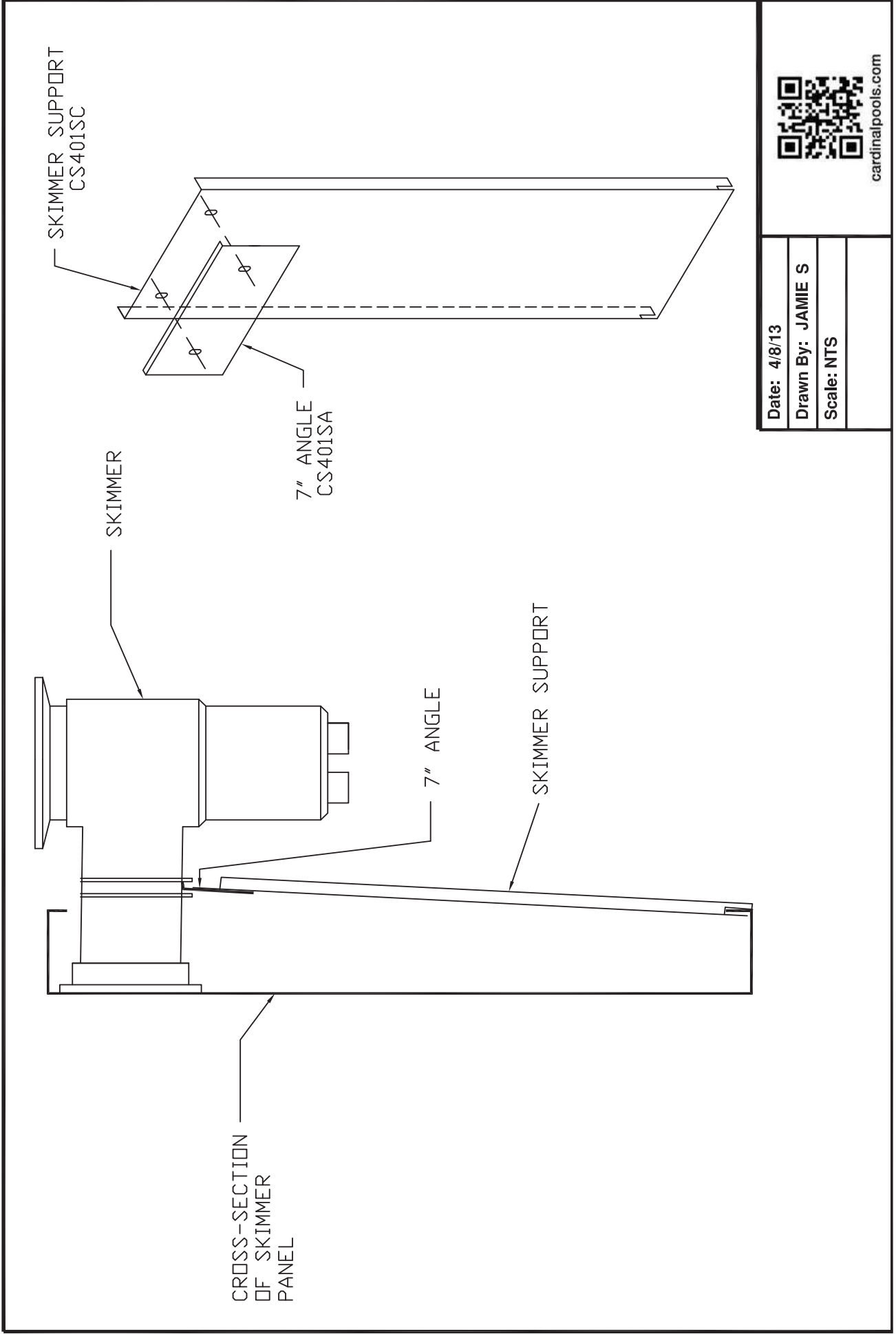


Name: SKIMMER SUPPORT INSTALLATION

Number: SKIMMER

a division of Cardinal Systems, Inc.

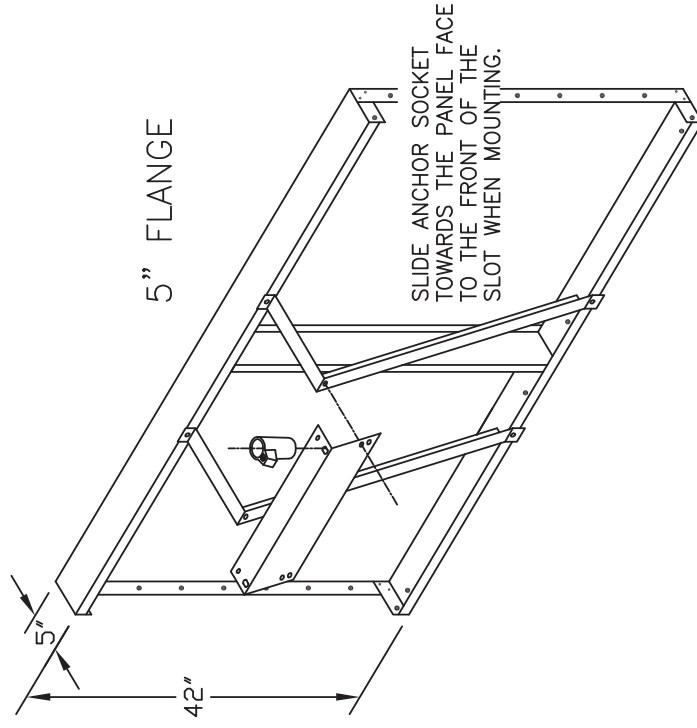
250 Route 61 South, Schuylkill Haven, PA 17972 • 570-385-4733 • fax: 570-385-1318 • CustomerService@CardinalSystemsinc.com



Date: 4/8/13
Drawn By: JAMIE S
Scale: NTS



cardinalpools.com



Date: 4/8/13

Drawn By: JAMIE S

Scale: NTS



cardinalpools.com

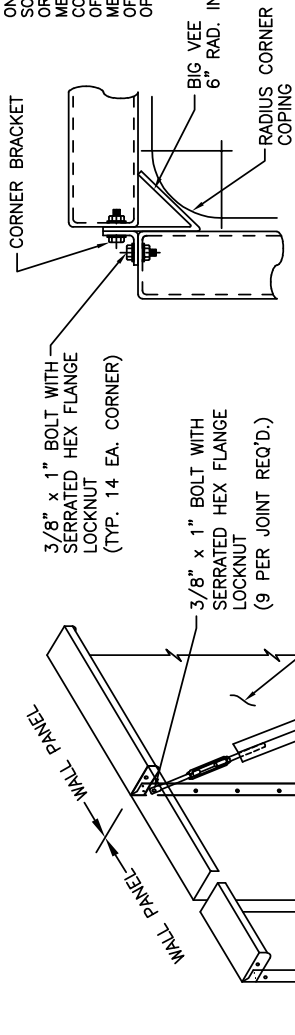


Name: CONSTRUCTION DETAIL SHEET - HUNG LINER STEEL POOL

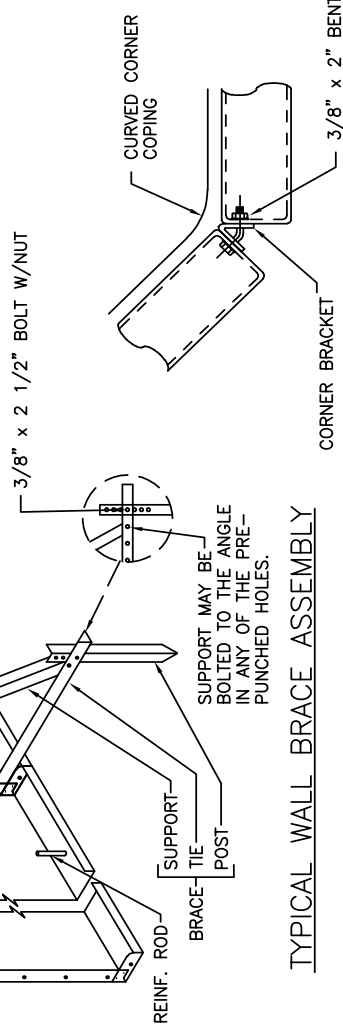
Number: CONSTDET-STEEL

250 Route 61 South, Schuylkill Haven, PA 17972 • 570-385-4733 • fax: 570-385-1318 • CustomerService@CardinalSystemsinc.com

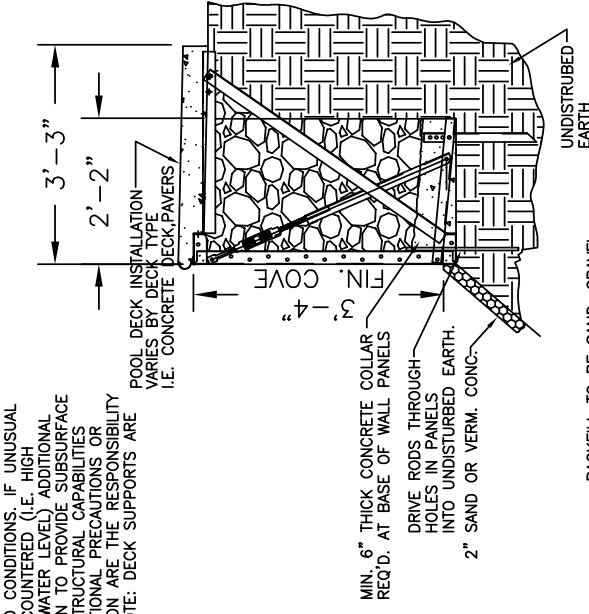
THE CONSTRUCTION METHODS ILLUSTRATED APPLY ONLY TO NORMAL GROUND CONDITIONS. IF UNUSUAL SOIL CONDITIONS ARE ENCOUNTERED (I.E. HIGH ORGANIC MATERIAL, HIGH WATER LEVEL) ADDITIONAL MEASURES MUST BE TAKEN TO PROVIDE SUBSURFACE CONDITIONS WITHIN THE STRUCTURAL CAPABILITIES OF THE PANEL. ANY ADDITIONAL PRECAUTIONS OR METHODS OF CONSTRUCTION ARE THE RESPONSIBILITY OF THE CONTRACTOR. (NOTE: DECK SUPPORTS ARE OPTIONAL.)



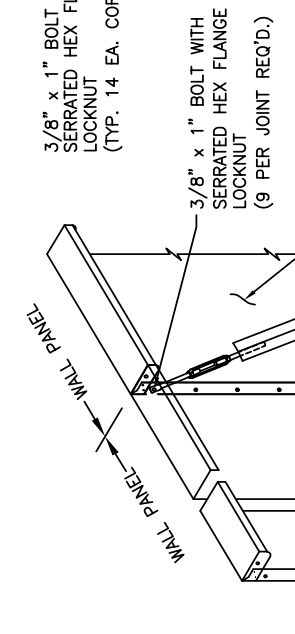
TYPICAL CORNER DETAIL (RECTANGULAR POOLS)



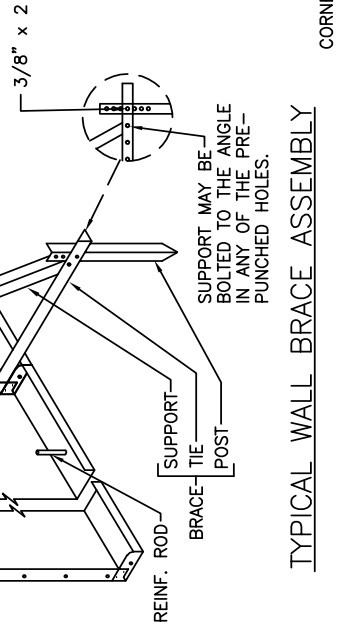
TYPICAL CORNER DETAIL (GRECIAN POOLS)



TYP. LINER INSTALLATION DET. DESIGNED IN ACCORDANCE WITH SPSC 2021



TYPICAL WALL BRACE ASSEMBLY



RIM-LOK COPING DETAIL

- PLANNING NOTES:
- SET WIDTH OF POOL AT RIGHT ANGLES TO SLOPE
- FINISHED ELEVATION OF DECK TO BE 1'00" ABOVE SURROUNDING GRADE
- PROVIDE SWALE AROUND UPHILL SIDE OF DRAIN. SURFACE WATER AWAY FROM POOL.
- CONCRETE DECK SHOULD SLOPE MIN. 1/4" PER FOOT AWAY FROM POOL
- PLOT PLAN FURNISHED BY OWNER TO SHOW POOL LOCATION AND ENCLOSURE.
- ELECTRICAL, PLUMBING AND FENCING TO CONFORM TO ALL CODES.
- OPTIONS EXTRA IF REQ'D. BY SITE CONDITIONS OR WHEN SPECIFIED BY OWNER.
- AT LEAST ONE MEANS OF EGRESS SHALL BE PROVIDED.
- OPTIONAL STAIRS OR LADDER

Table with 3 rows: Date: ---, Drawn By: ---, Scale: NONE



cardinalpools.com

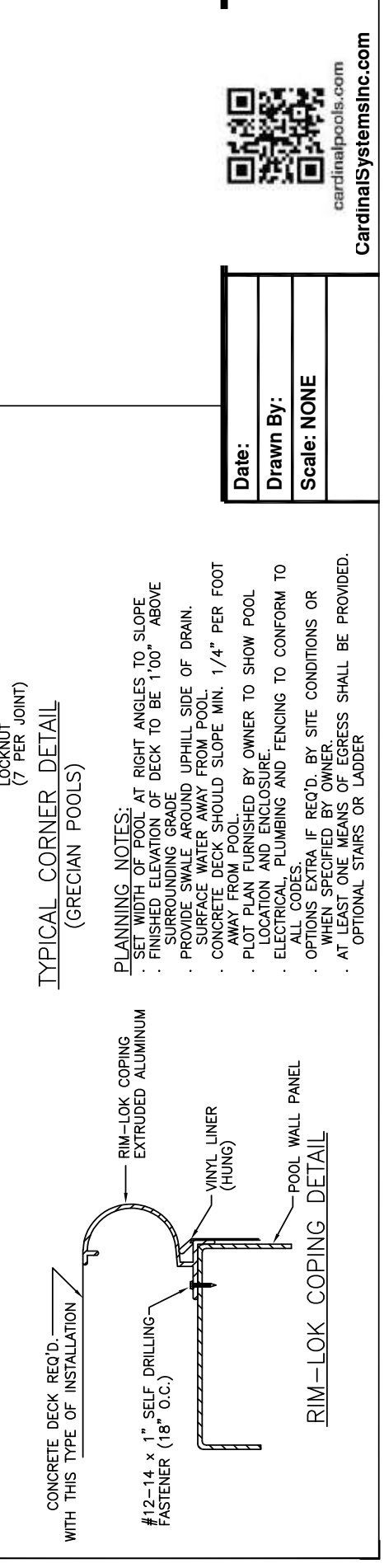
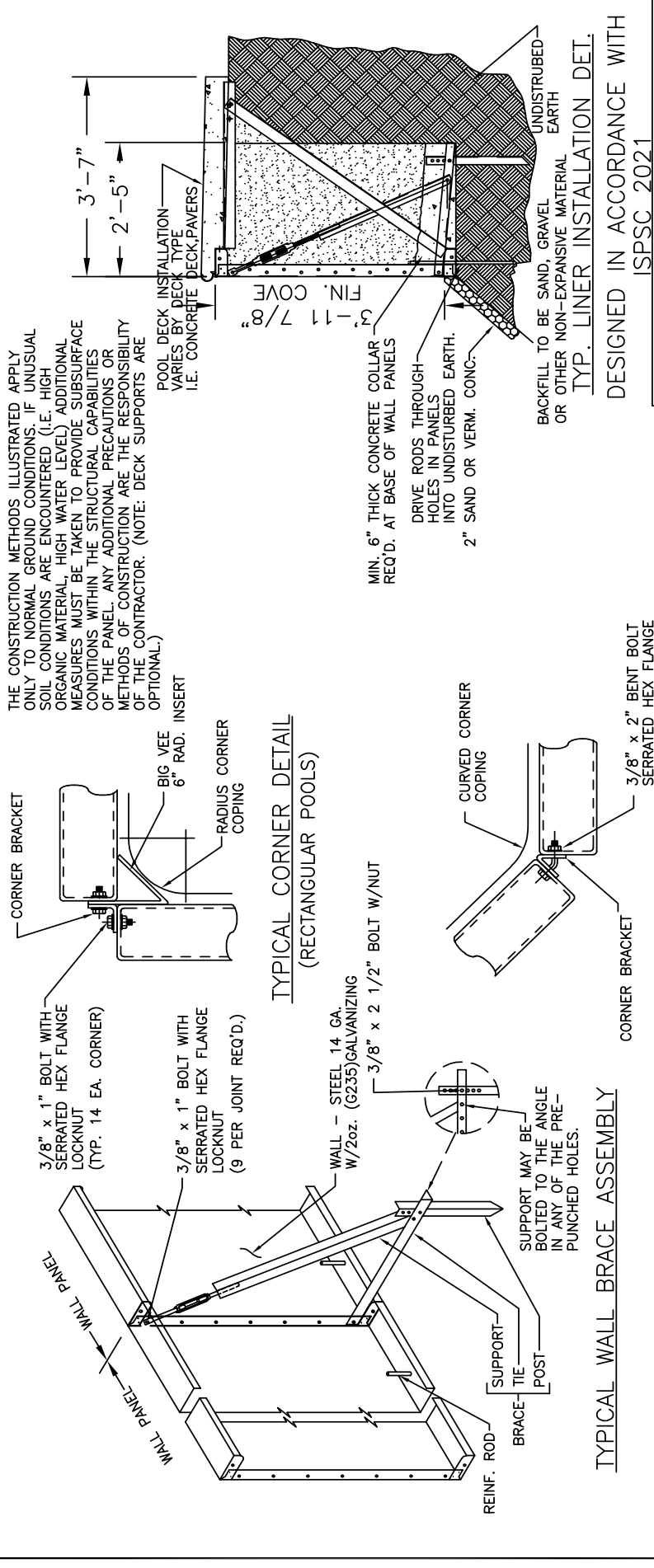


Cardinal Systems, Inc.

Name: CONSTRUCTION DETAIL SHEET - HUNG LINER STEEL POOL

Number: 48" CONSTDET-STEEL

250 Route 61 South, Schuylkill Haven, PA 17972 • 570-385-4733 • fax: 570-385-1318 • CustomerService@CardinalSystemsinc.com



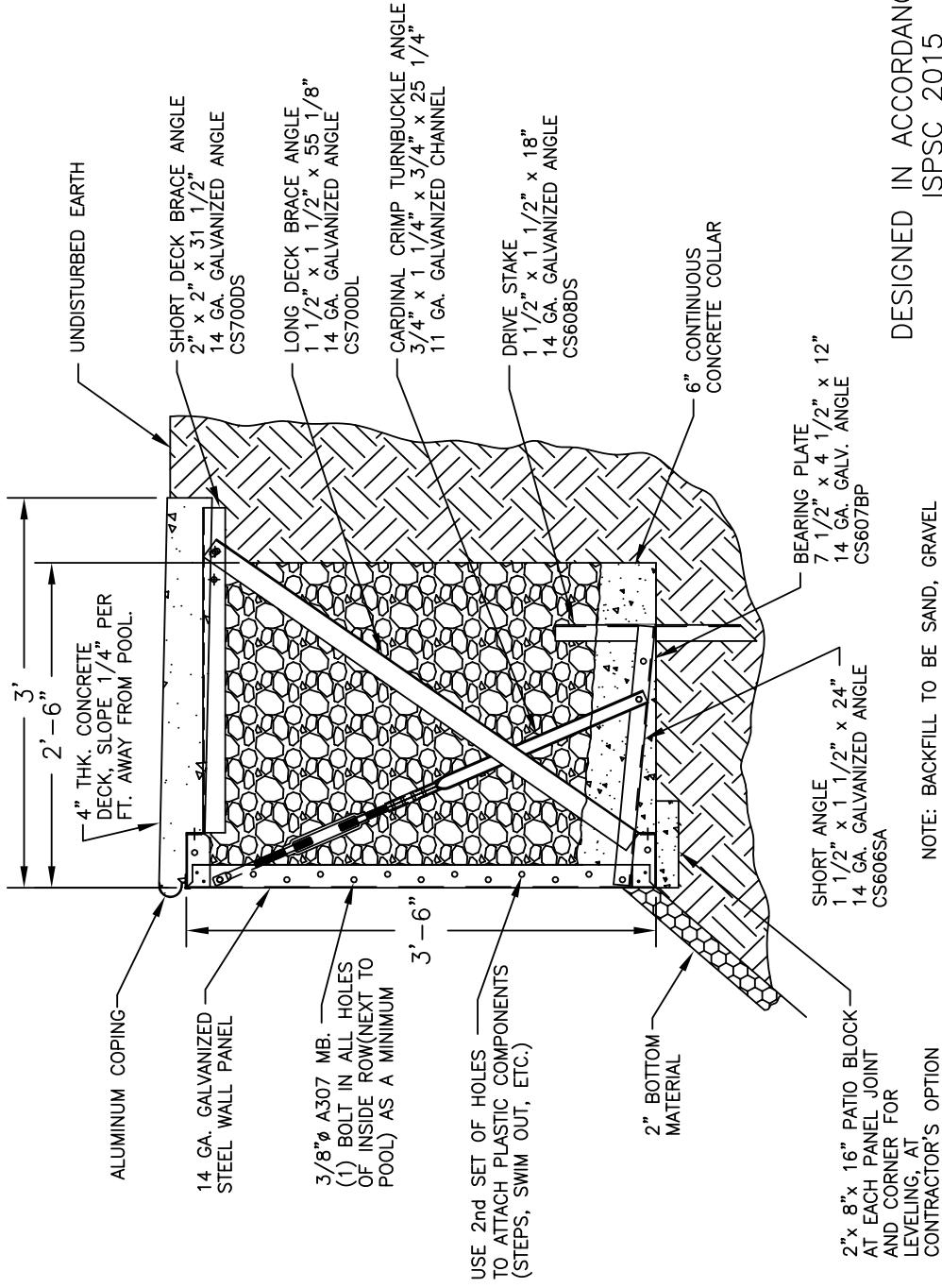




Name: TURNBUCKLE ASSEMBLY

Number: TBASSEMBLY

250 Route 61 South, Schuylkill Haven, PA 17972 • 570-385-4733 • fax: 570-385-1318 • CustomerService@CardinalSystemsinc.com



DESIGNED IN ACCORDANCE WITH  
ISPC 2015

Date: 6/20/2016	Perimeter:
Drawn By: --	Area:
Scale: 3/8" = 1'	Notes:
This information is the confidential property of Cardinal Systems, Inc. Disclosure or duplication without proper written approval is strictly prohibited. Acceptance and use of this drawing constitutes knowledge and acceptance by the user of the terms and conditions set forth in the notice and warning which accompanied this drawing is incorporated herein and made part hereof and is found on Cardinal Systems, Inc's website at www.CardinalSystemsinc.com	



cardinalpools.com

# RECTANGLE

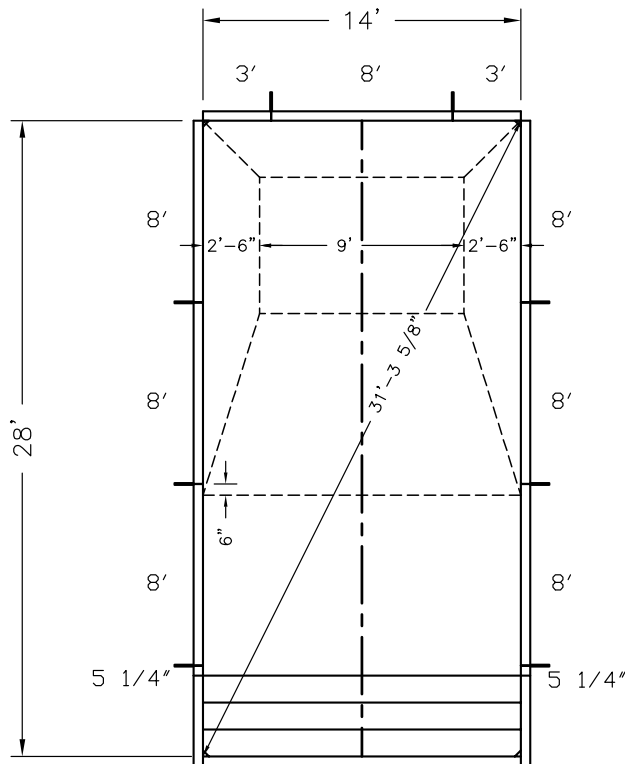


**Pool Size:** 14' X 28'  
**Pool Shape:** RECTANGLE **Approx Gal:** 12,495  
**Pool Number:** 1428RECT - 6 (STEEL L3)

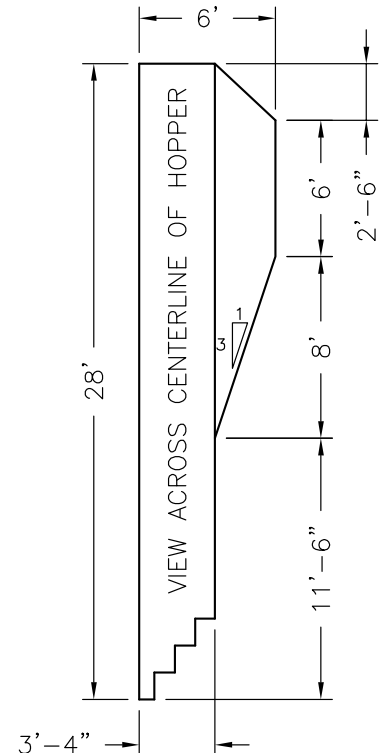
250 Route 61 South, Schuylkill Haven, PA 17972 • 570-385-4733 • fax: 570-385-1318 • CustomerService@CardinalSystemsInc.com

## Bill of Materials


PART NO.	QUANTITY	DESCRIPTION
"A" FRAME	8	"A" FRAME ASSEMBLY
CS902SA	2	90 DEG CORNER ANGLE
CS902SB	2	6" RAD CORNER FILLER "BIG VEE"
L3SX3140XXXXXXC	1	14' STEEL STEP W/LINER TRACK
5S42052XXX0	2	5 1/4" Straight PANEL W/0 Z
5S42300XXX0	2	3' Straight PANEL W/0 Z
5S42800XXX2	7	8' Straight PANEL W/2 Z



14' STEEL STEP  
W/LINER TRACK  
L3SX3140XXXXXXC



NOTE: THIS IS A NON DIVING POOL.

<b>Date:</b> 5/10/2022	<b>Perimeter:</b> 84'-0"	 cardinalpools.com
<b>Drawn By:</b> JESSE H	<b>Area:</b> 392.0 SQ. FT.	
<b>Scale:</b> 1/8" = 1'-0"	<b>Notes:</b> - - - -	

This information is the confidential property of Cardinal Systems, Inc. Disclosure or duplication without proper written approval is strictly prohibited. Acceptance and use of this drawing constitutes knowledge and acceptance by the user of the terms and conditions set forth in the notice and warning which accompanied this drawing is incorporated herein and made part hereof and is found on Cardinal Systems, Inc's website at www.CardinalSystemsInc.com

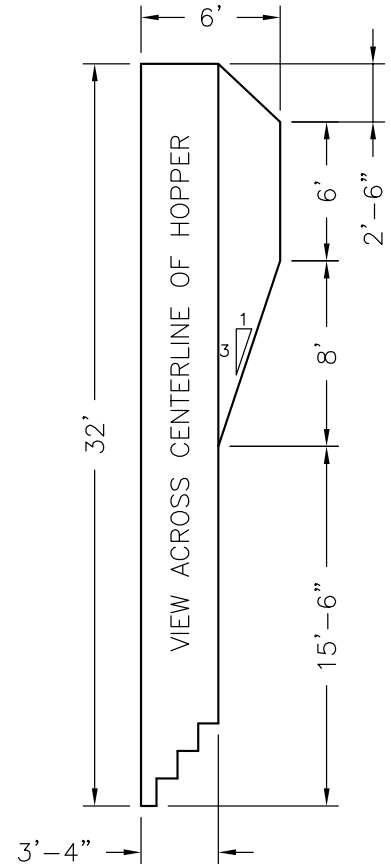
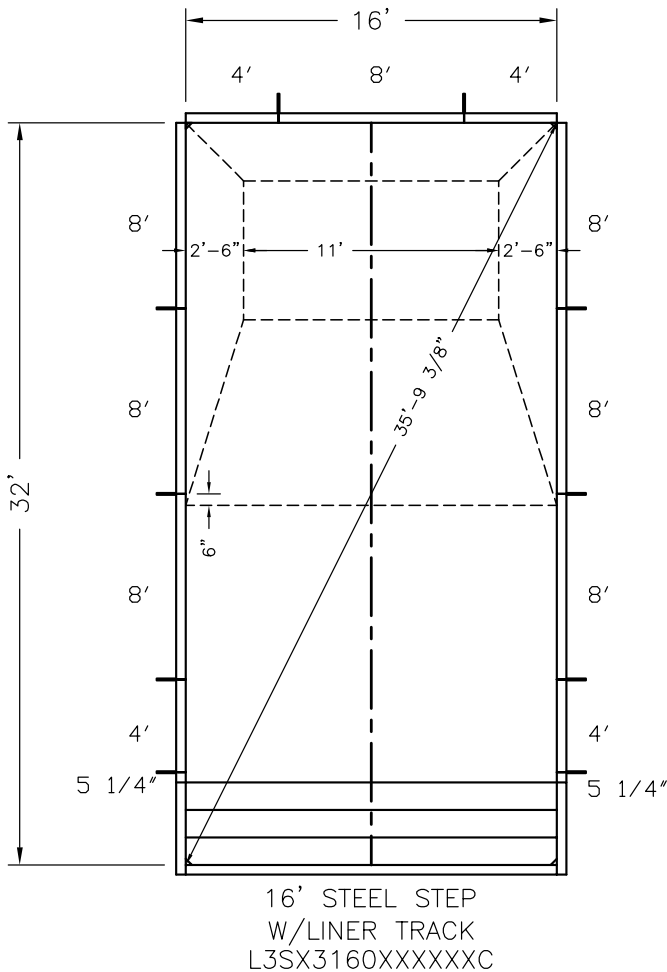


**Pool Size:** 16' X 32'  
**Pool Shape:** RECTANGLE **Approx Gal:** 16,320  
**Pool Number:** 1632RECT - 6 (STEEL L3)

250 Route 61 South, Schuylkill Haven, PA 17972 • 570-385-4733 • fax: 570-385-1318 • CustomerService@CardinalSystemsinc.com

### Bill of Materials

PART NO.	QUANTITY	DESCRIPTION
"A" FRAME	10	"A" FRAME ASSEMBLY
CS902SA	2	90 DEG CORNER ANGLE
CS902SB	2	6" RAD CORNER FILLER "BIG VEE"
L3SX3160XXXXXC	1	16' STEEL STEP W/LINER TRACK
5S42052XXX0	2	5 1/4" Straight PANEL W/0 Z
5S42400XXX0	4	4' Straight PANEL W/0 Z
5S42800XXX2	7	8' Straight PANEL W/2 Z



NOTE: THIS IS A NON DIVING POOL.

**Date:** 5/10/2022

**Perimeter:** 96'-0"

**Drawn By:** JESSE H

**Area:** 512.0 SQ. FT.

**Scale:** 1/8" = 1'-0"

**Notes:** - - - -



cardinalpools.com

This information is the confidential property of Cardinal Systems, Inc. Disclosure or duplication without proper written approval is strictly prohibited. Acceptance and use of this drawing constitutes knowledge and acceptance by the user of the terms and conditions set forth in the notice and warning which accompanied this drawing is incorporated herein and made part hereof and is found on Cardinal Systems, Inc's website at www.CardinalSystemsInc.com

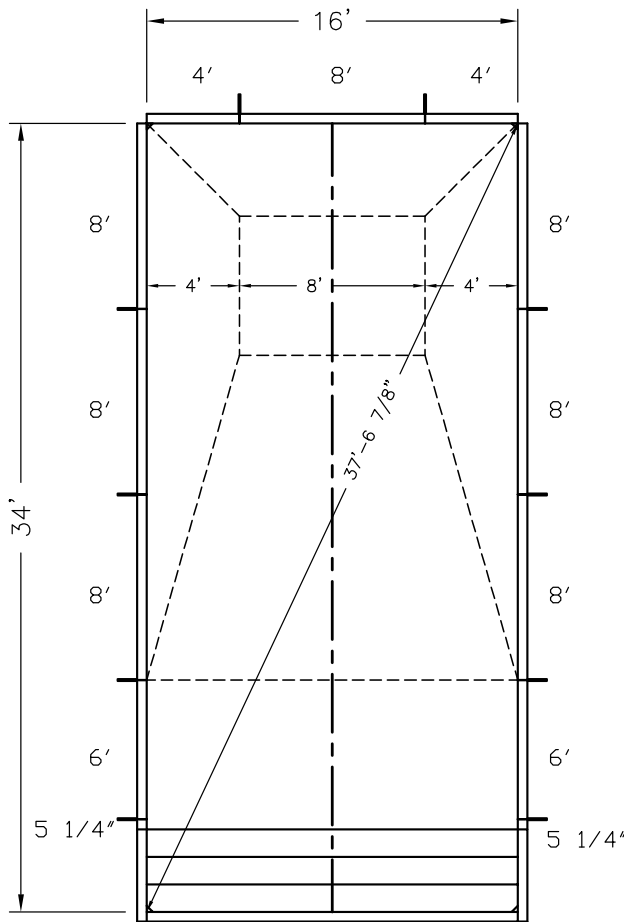


**Pool Size:** 16' X 34'  
**Pool Shape:** RECTANGLE **Approx Gal:** 19,788  
**Pool Number:** 1634RECT – 6 (STEEL L3)

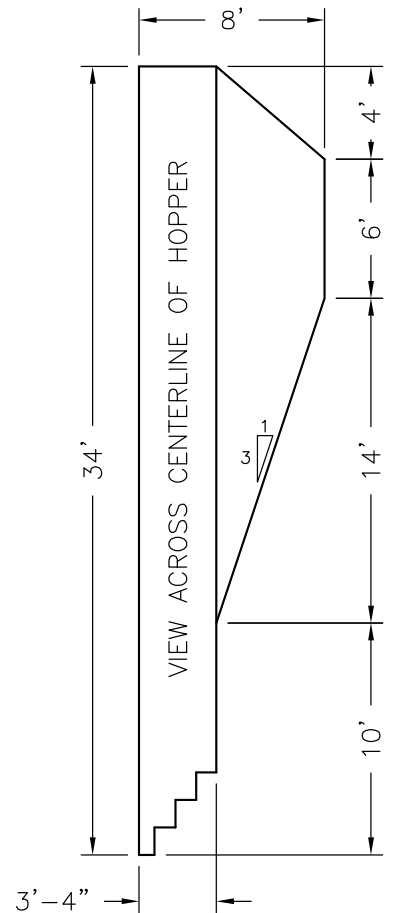
250 Route 61 South, Schuylkill Haven, PA 17972 • 570-385-4733 • fax: 570-385-1318 • CustomerService@CardinalSystemsinc.com

Bill of Materials

PART NO.	QUANTITY	DESCRIPTION
"A" FRAME	10	"A" FRAME ASSEMBLY
CS902SA	2	90 DEG CORNER ANGLE
CS902SB	2	6" RAD CORNER FILLER "BIG VEE"
L3SX3160XXXXXC	1	16' STEEL STEP W/LINER TRACK
5S42052XXX0	2	5 1/4" Straight PANEL W/0 Z
5S42400XXX0	2	4' Straight PANEL W/0 Z
5S42600XXX1	2	6' Straight PANEL W/1 Z
5S42800XXX2	7	8' Straight PANEL W/2 Z



16' STEEL STEP  
W/LINER TRACK  
L3SX3160XXXXXC



**Date:** 5/10/2022

**Perimeter:** 100'-0"

**Drawn By:** JESSE H

**Area:** 544.0 SQ. FT.

**Scale:** 1/8" = 1'-0"

**Notes:** - - - -



cardinalpools.com

This information is the confidential property of Cardinal Systems, Inc. Disclosure or duplication without proper written approval is strictly prohibited. Acceptance and use of this drawing constitutes knowledge and acceptance by the user of the terms and conditions set forth in the notice and warning which accompanied this drawing is incorporated herein and made part hereof and is found on Cardinal Systems, Inc's website at www.CardinalSystemsInc.com

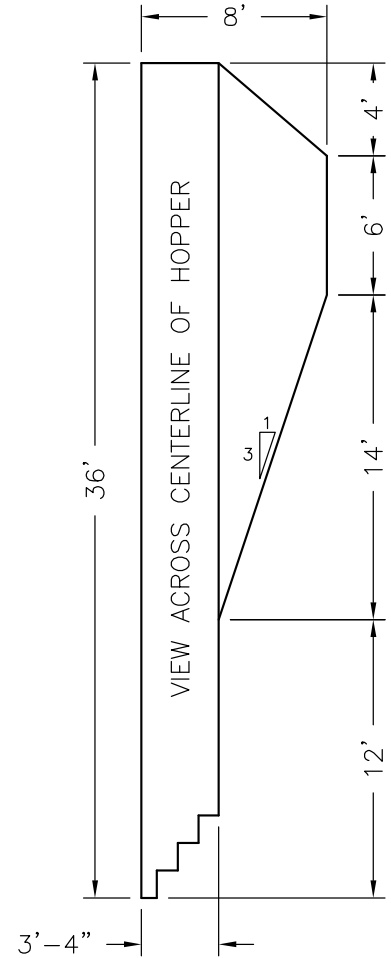
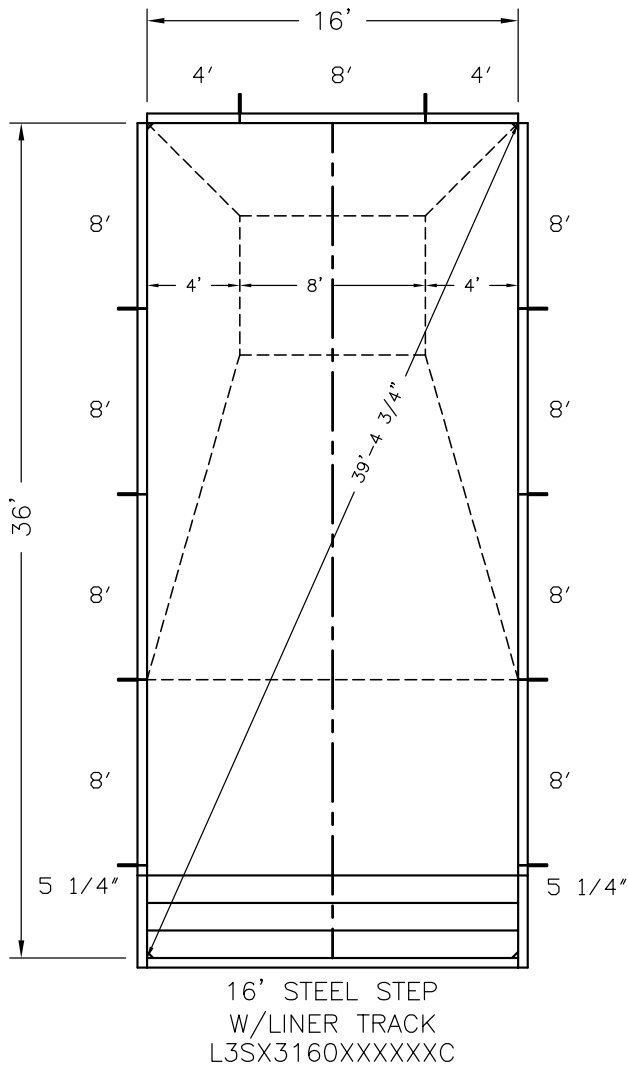


**Pool Size:** 16' X 36'  
**Pool Shape:** RECTANGLE **Approx Gal:** 20,952  
**Pool Number:** 1636RECT – 6 (STEEL L3)

250 Route 61 South, Schuylkill Haven, PA 17972 • 570-385-4733 • fax: 570-385-1318 • CustomerService@CardinalSystemsinc.com

### Bill of Materials

PART NO.	QUANTITY	DESCRIPTION
"A" FRAME	10	"A" FRAME ASSEMBLY
CS902SA	2	90 DEG CORNER ANGLE
CS902SB	2	6" RAD CORNER FILLER "BIG VEE"
L3SX3160XXXXXC	1	16' STEEL STEP W/LINER TRACK
5S42052XXX0	2	5 1/4" Straight PANEL W/0 Z
5S42400XXX0	2	4' Straight PANEL W/0 Z
5S42800XXX2	9	8' Straight PANEL W/2 Z



**Date:** 5/10/2022

**Perimeter:** 104'-0"

**Drawn By:** JESSE H

**Area:** 576.0 SQ. FT.

**Scale:** 1/8" = 1'-0"

**Notes:** -----



cardinalpools.com

This information is the confidential property of Cardinal Systems, Inc. Disclosure or duplication without proper written approval is strictly prohibited. Acceptance and use of this drawing constitutes knowledge and acceptance by the user of the terms and conditions set forth in the notice and warning which accompanied this drawing is incorporated herein and made part hereof and is found on Cardinal Systems, Inc's website at www.CardinalSystemsInc.com



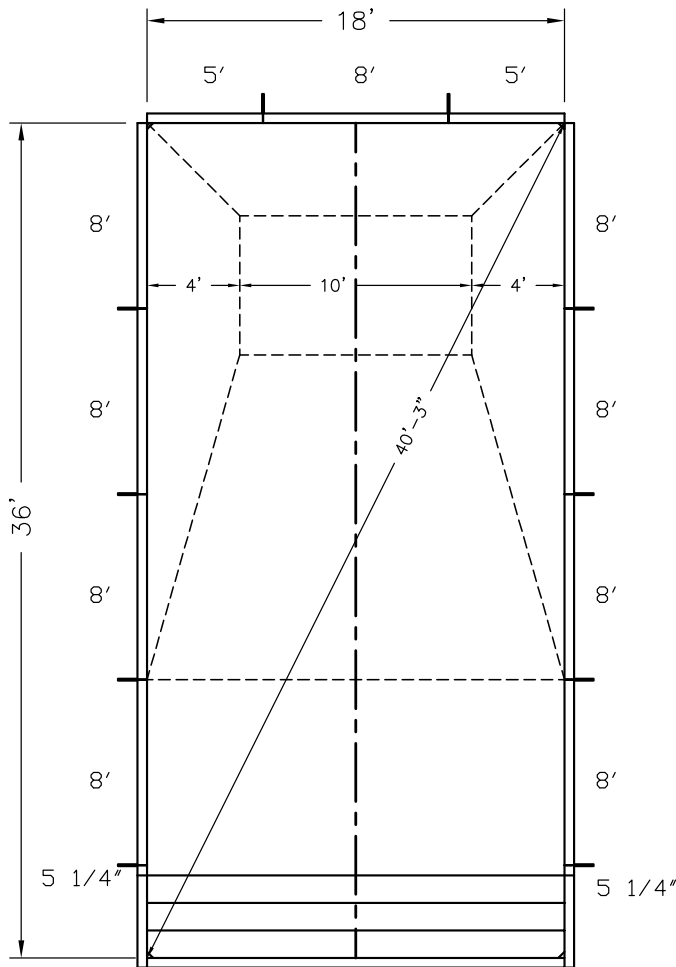


**Pool Size:** 18' X 36'  
**Pool Shape:** RECTANGLE **Approx Gal:** 23,571  
**Pool Number:** 1836RECT – 6 (STEEL L3)

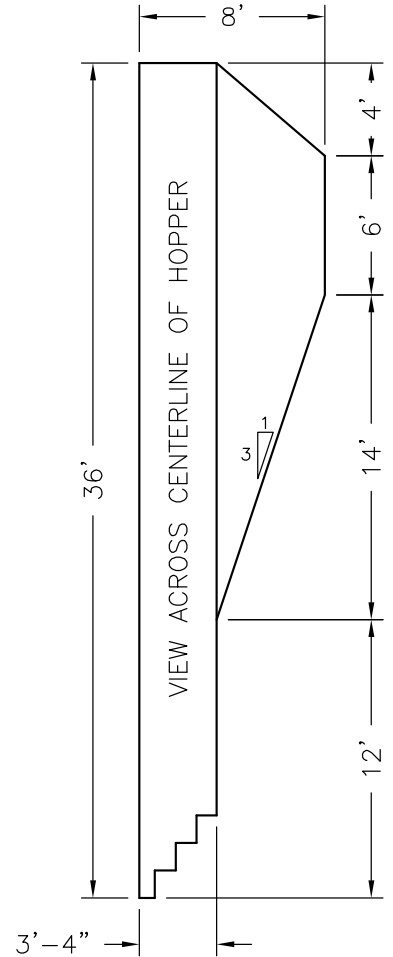
250 Route 61 South, Schuylkill Haven, PA 17972 • 570-385-4733 • fax: 570-385-1318 • CustomerService@CardinalSystemsinc.com

### Bill of Materials

PART NO.	QUANTITY	DESCRIPTION
"A" FRAME	10	"A" FRAME ASSEMBLY
CS902SA	2	90 DEG CORNER ANGLE
CS902SB	2	6" RAD CORNER FILLER "BIG VEE"
L3SX3180XXXXXC	1	18' STEEL STEP W/LINER TRACK
5S42052XXX0	2	5 1/4" Straight PANEL W/0 Z
5S42500XXX0	2	5' Straight PANEL W/0 Z
5S42800XXX2	9	8' Straight PANEL W/2 Z



18' STEEL STEP  
W/LINER TRACK  
L3SX3180XXXXXC



**Date:** 5/10/2022

**Perimeter:** 108'-0"

**Drawn By:** JESSE H

**Area:** 648.0 SQ. FT.

**Scale:** 1/8" = 1'-0"

**Notes:** - - - -



cardinalpools.com

This information is the confidential property of Cardinal Systems, Inc. Disclosure or duplication without proper written approval is strictly prohibited. Acceptance and use of this drawing constitutes knowledge and acceptance by the user of the terms and conditions set forth in the notice and warning which accompanied this drawing is incorporated herein and made part hereof and is found on Cardinal Systems, Inc's website at www.CardinalSystemsInc.com

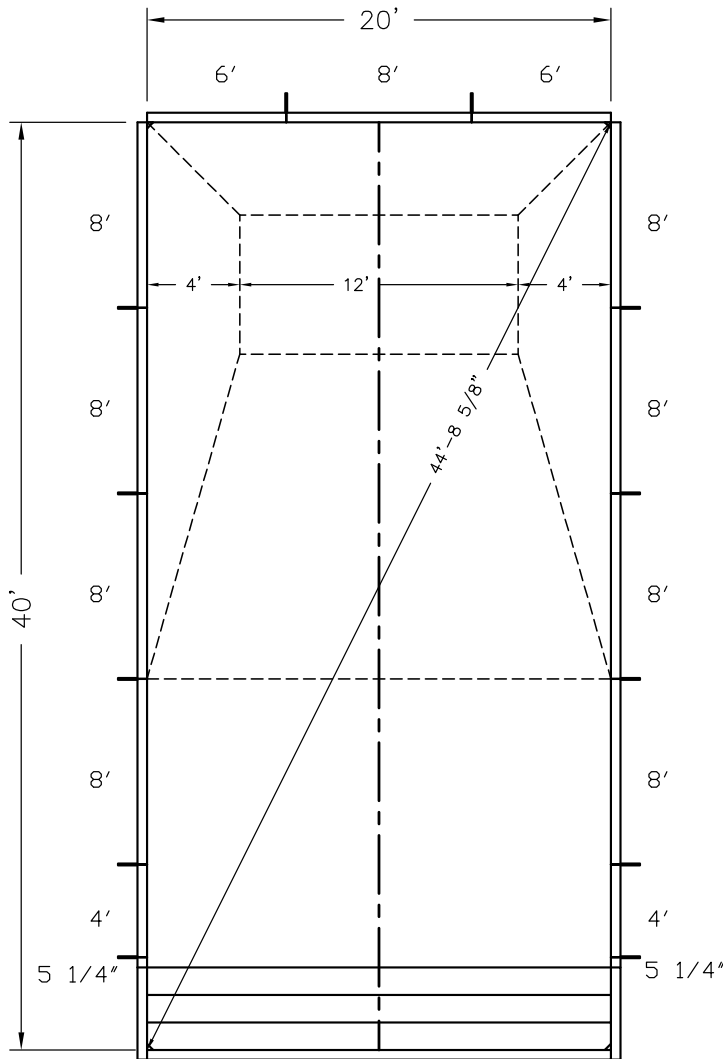


**Pool Size:** 20' X 40'  
**Pool Shape:** RECTANGLE **Approx Gal:** 29,100  
**Pool Number:** 2040RECT - 6 (STEEL L3)

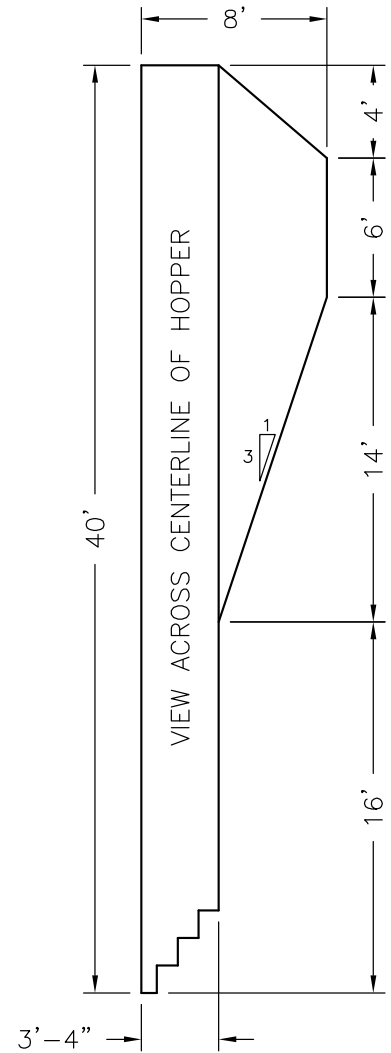
250 Route 61 South, Schuylkill Haven, PA 17972 • 570-385-4733 • fax: 570-385-1318 • CustomerService@CardinalSystemsinc.com

### Bill of Materials

PART NO.	QUANTITY	DESCRIPTION
"A" FRAME	12	"A" FRAME ASSEMBLY
CS902SA	2	90 DEG CORNER ANGLE
CS902SB	2	6" RAD CORNER FILLER "BIG VEE"
L3SX3200XXXXXC	1	20' STEEL STEP W/LINER TRACK
5S42052XXX0	2	5 1/4" Straight PANEL W/0 Z
5S42400XXX0	2	4' Straight PANEL W/0 Z
5S42600XXX1	2	6' Straight PANEL W/1 Z
5S42800XXX2	9	8' Straight PANEL W/2 Z



20' STEEL STEP  
W/LINER TRACK  
L3SX3200XXXXXC



VIEW ACROSS CENTERLINE OF HOPPER

**Date:** 5/10/2022

**Perimeter:** 120'-0"

**Drawn By:** JESSE H

**Area:** 800.0 SQ. FT.

**Scale:** 1/8" = 1'-0"

**Notes:** - - - -



cardinalpools.com

This information is the confidential property of Cardinal Systems, Inc. Disclosure or duplication without proper written approval is strictly prohibited. Acceptance and use of this drawing constitutes knowledge and acceptance by the user of the terms and conditions set forth in the notice and warning which accompanied this drawing is incorporated herein and made part hereof and is found on Cardinal Systems, Inc's website at www.CardinalSystemsInc.com

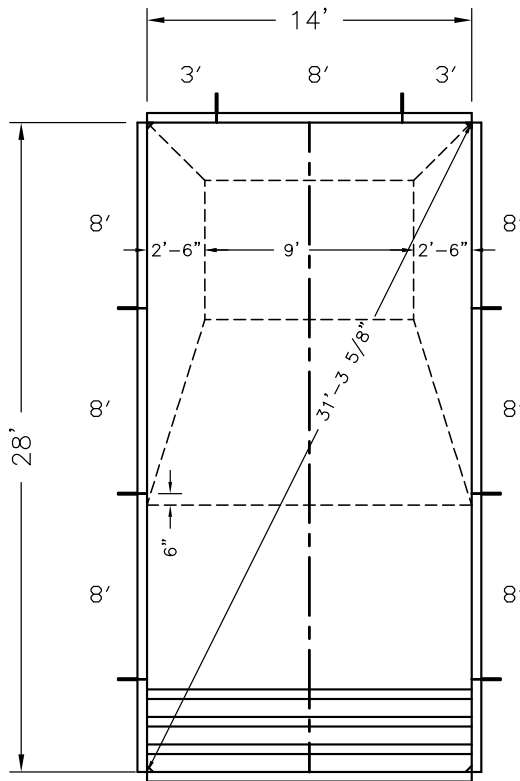


**Pool Size:** 14' X 28'  
**Pool Shape:** RECTANGLE **Approx Gal:** 12,495  
**Pool Number:** 1428RECT – 6 (POURED)

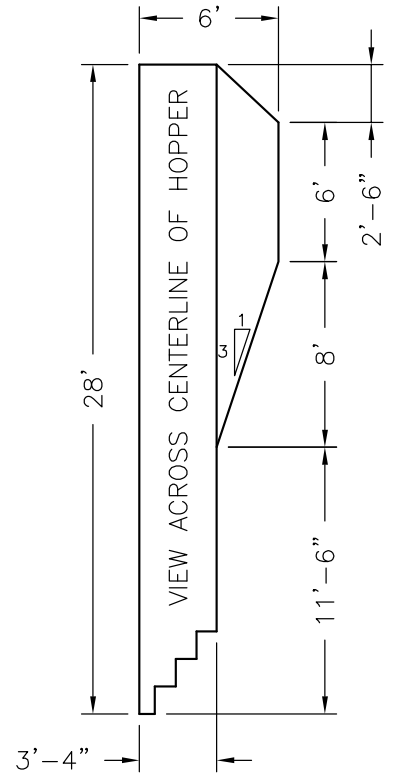
250 Route 61 South, Schuylkill Haven, PA 17972 • 570-385-4733 • fax: 570-385-1318 • CustomerService@CardinalSystemsinc.com

### Bill of Materials

PART NO.	QUANTITY	DESCRIPTION
"A" FRAME	8	"A" FRAME ASSEMBLY
CS902SA	2	90 DEG CORNER ANGLE
CS902SB	2	6" RAD CORNER FILLER "BIG VEE"
S1400SP34200XX4	1	14' POURED STEP W/LINER TRACK - SCREED EDGE
5S42300XXX0	2	3' Straight PANEL W/0 Z
5S42800XXX2	7	8' Straight PANEL W/2 Z



14' POURED STEP  
W/LINER TRACK  
SCREED EDGE  
S1400SP34200XX4



NOTE: THIS IS A NON DIVING POOL.

<b>Date:</b> 5/10/2022	<b>Perimeter:</b> 84'-0"	
<b>Drawn By:</b> JESSE H	<b>Area:</b> 392.0 SQ. FT.	
<b>Scale:</b> 1/8" = 1'-0"	<b>Notes:</b> - - - -	

This information is the confidential property of Cardinal Systems, Inc. Disclosure or duplication without proper written approval is strictly prohibited. Acceptance and use of this drawing constitutes knowledge and acceptance by the user of the terms and conditions set forth in the notice and warning which accompanied this drawing is incorporated herein and made part hereof and is found on Cardinal Systems, Inc's website at www.CardinalSystemsInc.com

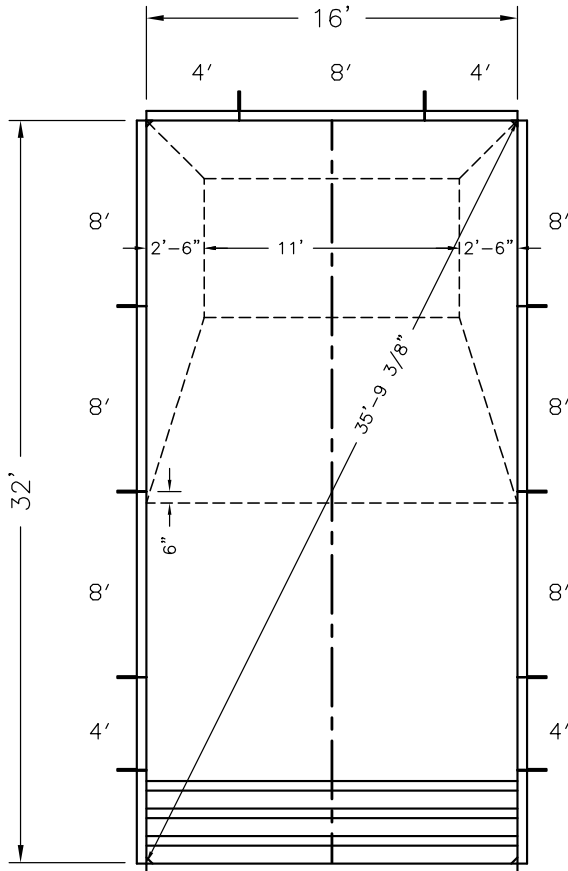


**Pool Size:** 16' X 32'  
**Pool Shape:** RECTANGLE **Approx Gal:** 16,320  
**Pool Number:** 1632RECT - 6 (POURED)

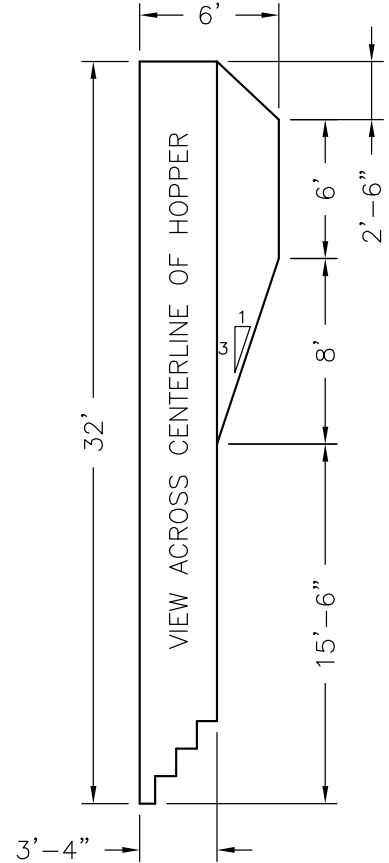
250 Route 61 South, Schuylkill Haven, PA 17972 • 570-385-4733 • fax: 570-385-1318 • CustomerService@CardinalSystemsinc.com

### Bill of Materials

PART NO.	QUANTITY	DESCRIPTION
"A" FRAME	10	"A" FRAME ASSEMBLY
CS902SA	2	90 DEG CORNER ANGLE
CS902SB	2	6" RAD CORNER FILLER "BIG VEE"
S1600SP34200XX7	1	16' POURED STEP W/LINER TRACK - SCREED EDGE
5S42400XXX0	4	4' Straight PANEL W/O Z
5S42800XXX2	7	8' Straight PANEL W/2 Z



16' POURED STEP  
 W/LINER TRACK  
 SCREED EDGE  
 S1600SP34200XX7



NOTE: THIS IS A NON DIVING POOL.

Date: 5/10/2022

Perimeter: 96'-0"

Drawn By: JESSE H

Area: 512.0 SQ. FT.

Scale: 1/8" = 1'-0"

Notes: - - - -



cardinalpools.com

This information is the confidential property of Cardinal Systems, Inc. Disclosure or duplication without proper written approval is strictly prohibited. Acceptance and use of this drawing constitutes knowledge and acceptance by the user of the terms and conditions set forth in the notice and warning which accompanied this drawing is incorporated herein and made part hereof and is found on Cardinal Systems, Inc's website at www.CardinalSystemsInc.com

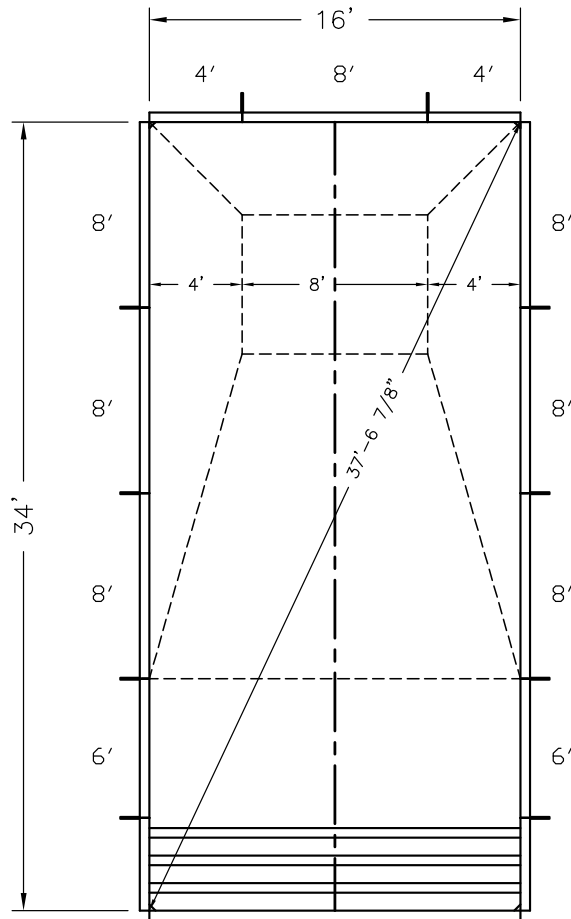


**Pool Size:** 16' X 34'  
**Pool Shape:** RECTANGLE     **Approx Gal:** 19,788  
**Pool Number:** 1634RECT – 6 (POURED)

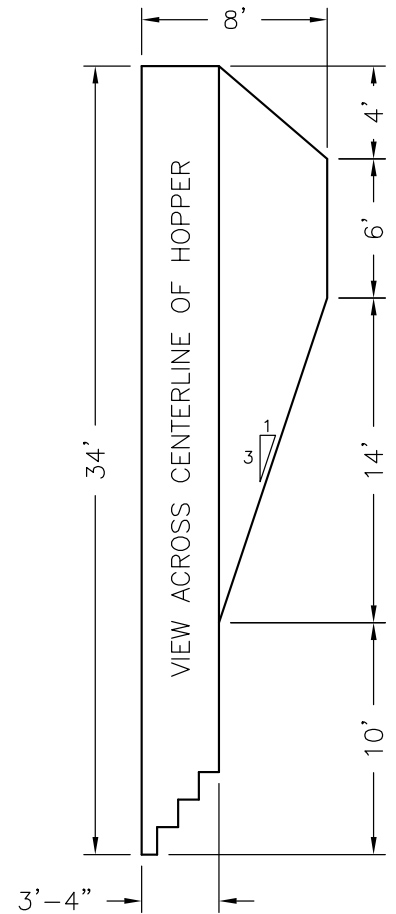
250 Route 61 South, Schuylkill Haven, PA 17972 • 570-385-4733 • fax: 570-385-1318 • CustomerService@CardinalSystemsinc.com

### Bill of Materials

PART NO.	QUANTITY	DESCRIPTION
"A" FRAME	10	"A" FRAME ASSEMBLY
CS902SA	2	90 DEG CORNER ANGLE
CS902SB	2	6" RAD CORNER FILLER "BIG VEE"
S1600SP34200XX7	1	16' POURED STEP W/LINER TRACK - SCREED EDGE
5S42400XXX0	2	4' Straight PANEL W/0 Z
5S42600XXX1	2	6' Straight PANEL W/1 Z
5S42800XXX2	7	8' Straight PANEL W/2 Z



16' POURED STEP  
W/LINER TRACK  
SCREED EDGE  
S1600SP34200XX7



**Date:** 5/10/2022

**Perimeter:** 100'-0"

**Drawn By:** JESSE H

**Area:** 544.0 SQ. FT.

**Scale:** 1/8" = 1'-0"

**Notes:** -----



cardinalpools.com

This information is the confidential property of Cardinal Systems, Inc. Disclosure or duplication without proper written approval is strictly prohibited. Acceptance and use of this drawing constitutes knowledge and acceptance by the user of the terms and conditions set forth in the notice and warning which accompanied this drawing is incorporated herein and made part hereof and is found on Cardinal Systems, Inc's website at www.CardinalSystemsInc.com

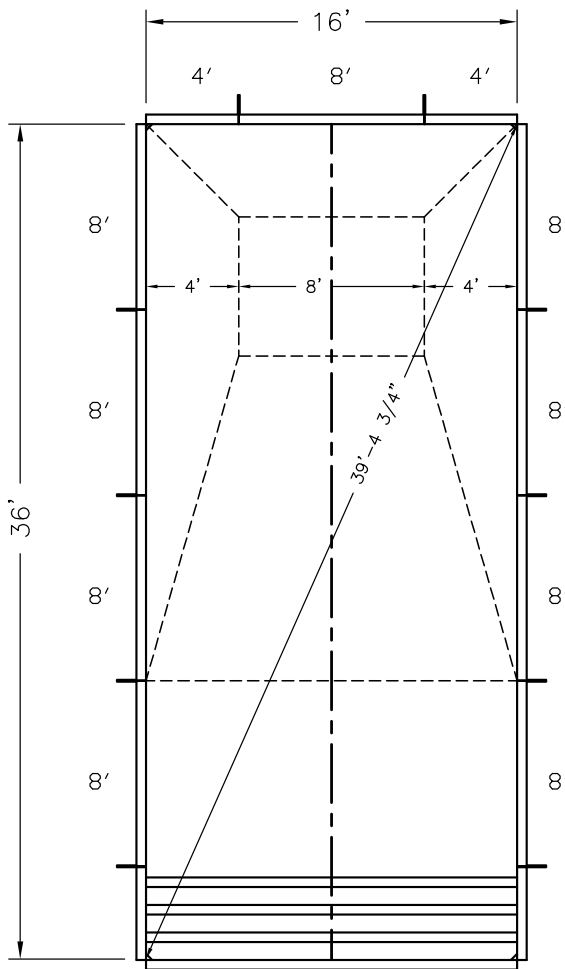


**Pool Size:** 16' X 36'  
**Pool Shape:** RECTANGLE **Approx Gal:** 20,952  
**Pool Number:** 1636RECT – 6 (POURED)

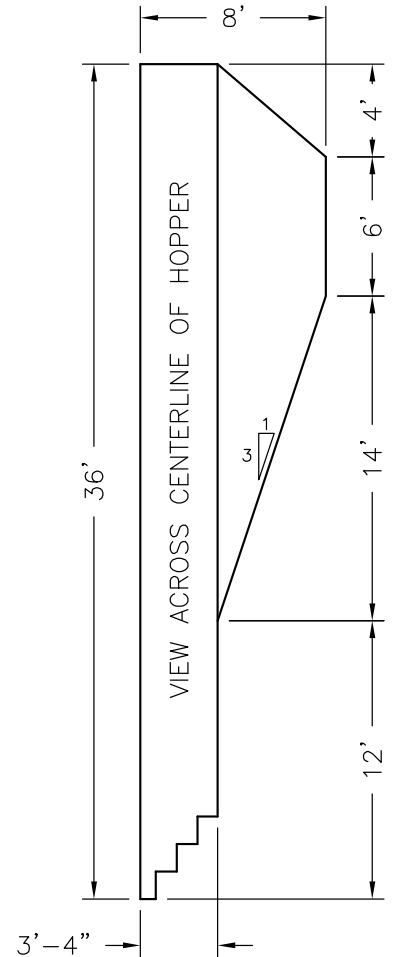
250 Route 61 South, Schuylkill Haven, PA 17972 • 570-385-4733 • fax: 570-385-1318 • CustomerService@CardinalSystemsInc.com

Bill of Materials

PART NO.	QUANTITY	DESCRIPTION
"A" FRAME	10	"A" FRAME ASSEMBLY
CS902SA	2	90 DEG CORNER ANGLE
CS902SB	2	6" RAD CORNER FILLER "BIG VEE"
S1600SP34200XX7	1	16' POURED STEP W/LINER TRACK - SCREED EDGE
5S42400XXX0	2	4' Straight PANEL W/0 Z
5S42800XXX2	9	8' Straight PANEL W/2 Z



16' POURED STEP  
W/LINER TRACK  
SCREED EDGE  
S1600SP34200XX7



Date: 5/10/2022

Perimeter: 104'-0"

Drawn By: JESSE H

Area: 576.0 SQ. FT.

Scale: 1/8" = 1'-0"

Notes: - - - -



cardinalpools.com

This information is the confidential property of Cardinal Systems, Inc. Disclosure or duplication without proper written approval is strictly prohibited. Acceptance and use of this drawing constitutes knowledge and acceptance by the user of the terms and conditions set forth in the notice and warning which accompanied this drawing is incorporated herein and made part hereof and is found on Cardinal Systems, Inc's website at www.CardinalSystemsInc.com



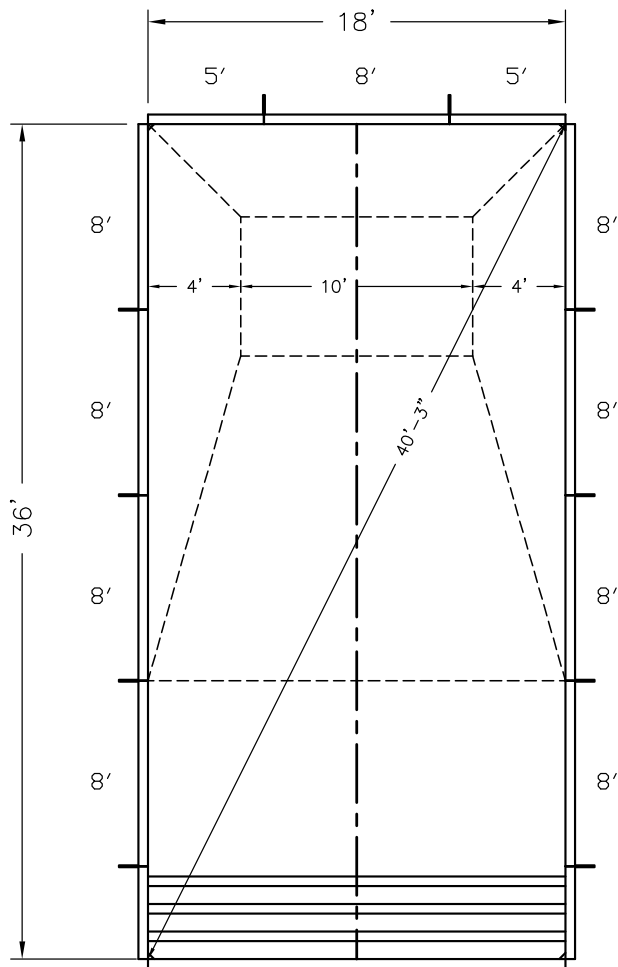


**Pool Size:** 18' X 36'  
**Pool Shape:** RECTANGLE **Approx Gal:** 23,571  
**Pool Number:** 1836RECT – 6 (POURED)

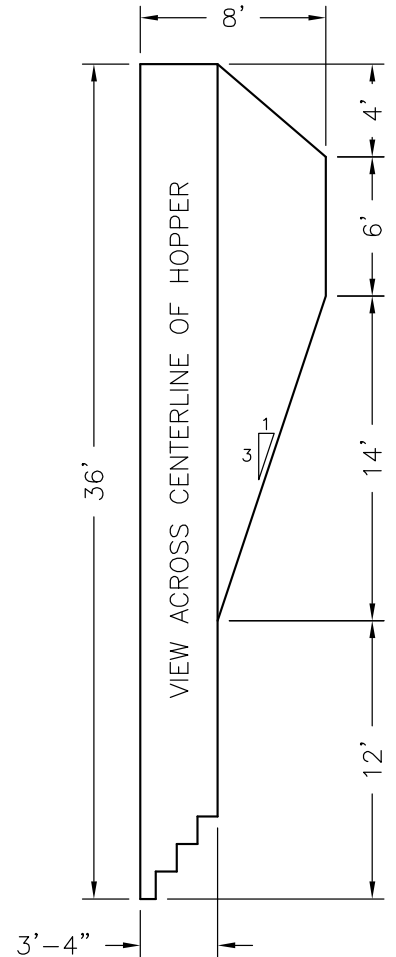
250 Route 61 South, Schuylkill Haven, PA 17972 • 570-385-4733 • fax: 570-385-1318 • CustomerService@CardinalSystemsinc.com

Bill of Materials

PART NO.	QUANTITY	DESCRIPTION
"A" FRAME	10	"A" FRAME ASSEMBLY
CS902SA	2	90 DEG CORNER ANGLE
CS902SB	2	6" RAD CORNER FILLER "BIG VEE"
S1800SP34200XX8	1	18' POURED STEP W/LINER TRACK - SCREED EDGE
5S42500XXX0	2	5' Straight PANEL W/O Z
5S42800XXX2	9	8' Straight PANEL W/2 Z



18' POURED STEP  
W/LINER TRACK  
SCREED EDGE  
S1800SP34200XX8



**Date:** 5/10/2022

**Perimeter:** 108'-0"

**Drawn By:** JESSE H

**Area:** 648.0 SQ. FT.

**Scale:** 1/8" = 1'-0"

**Notes:** - - - -



cardinalpools.com

This information is the confidential property of Cardinal Systems, Inc. Disclosure or duplication without proper written approval is strictly prohibited. Acceptance and use of this drawing constitutes knowledge and acceptance by the user of the terms and conditions set forth in the notice and warning which accompanied this drawing is incorporated herein and made part hereof and is found on Cardinal Systems, Inc's website at www.CardinalSystemsInc.com

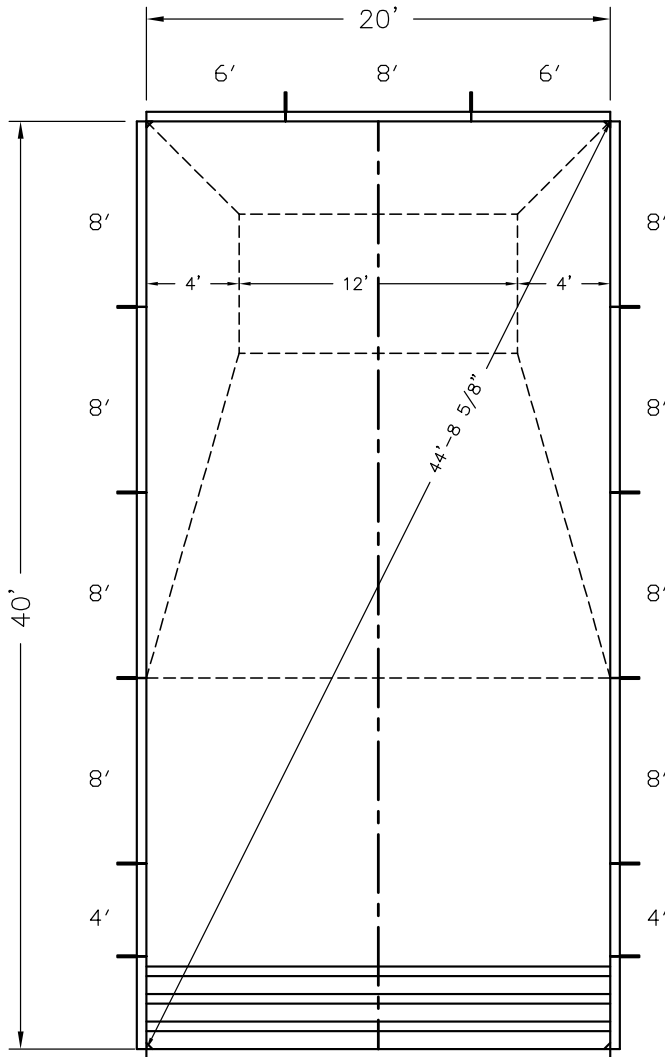


**Pool Size:** 20' X 40'  
**Pool Shape:** RECTANGLE **Approx Gal:** 29,100  
**Pool Number:** 2040RECT - 6 (POURED)

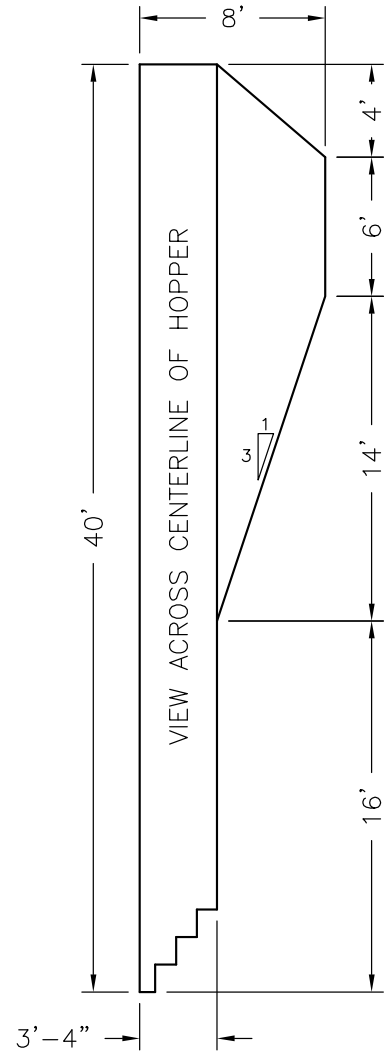
250 Route 61 South, Schuylkill Haven, PA 17972 • 570-385-4733 • fax: 570-385-1318 • CustomerService@CardinalSystemsInc.com


Bill of Materials

PART NO.	QUANTITY	DESCRIPTION
"A" FRAME	12	"A" FRAME ASSEMBLY
CS902SA	2	90 DEG CORNER ANGLE
CS902SB	2	6" RAD CORNER FILLER "BIG VEE"
S2000SP34200XX6	1	20' POURED STEP W/LINER TRACK - SCREED EDGE
5S42400XXX0	2	4' Straight PANEL W/0 Z
5S42600XXX1	2	6' Straight PANEL W/1 Z
5S42800XXX2	9	8' Straight PANEL W/2 Z



20' POURED STEP  
W/LINER TRACK  
SCREED EDGE  
S2000SP34200XX6



<b>Date:</b> 5/10/2022	<b>Perimeter:</b> 120'-0"	 cardinalpools.com
<b>Drawn By:</b> JESSE H	<b>Area:</b> 800.0 SQ. FT.	
<b>Scale:</b> 1/8" = 1'-0"	<b>Notes:</b> -----	

This information is the confidential property of Cardinal Systems, Inc. Disclosure or duplication without proper written approval is strictly prohibited. Acceptance and use of this drawing constitutes knowledge and acceptance by the user of the terms and conditions set forth in the notice and warning which accompanied this drawing is incorporated herein and made part hereof and is found on Cardinal Systems, Inc's website at www.CardinalSystemsInc.com

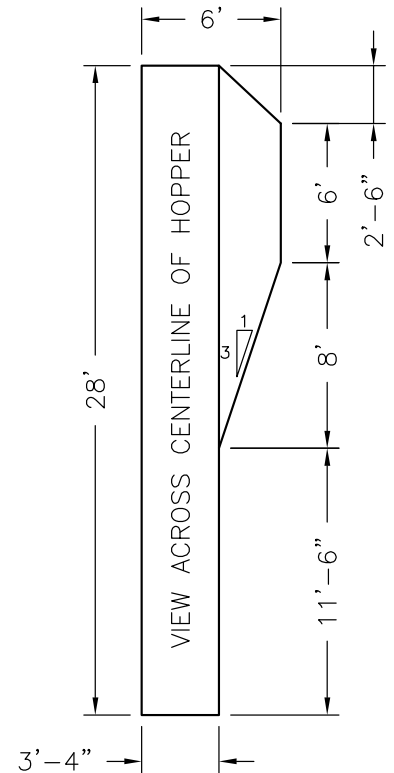
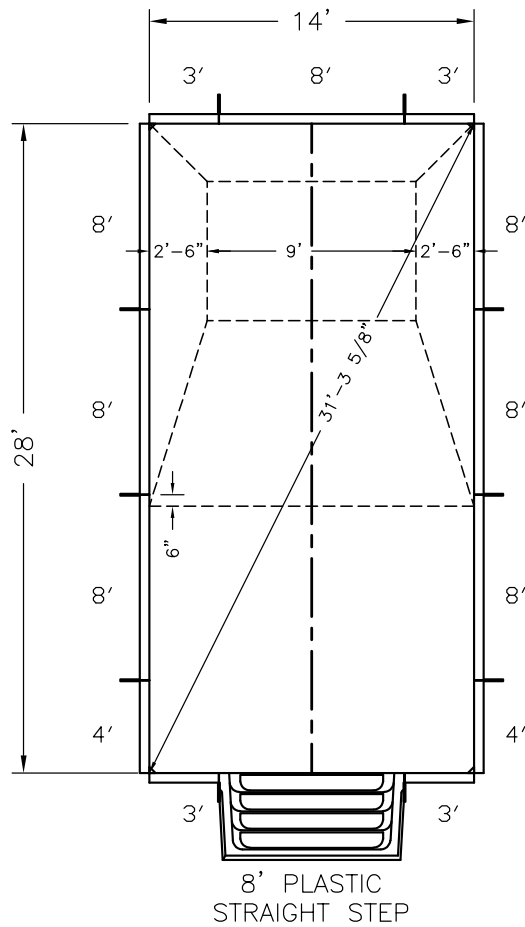


**Pool Size:** 14' X 28'  
**Pool Shape:** RECTANGLE **Approx Gal:** 12,495  
**Pool Number:** 1428RECT – 6 (PLASTIC)


250 Route 61 South, Schuylkill Haven, PA 17972 • 570-385-4733 • fax: 570-385-1318 • CustomerService@CardinalSystemsinc.com

Bill of Materials

PART NO.	QUANTITY	DESCRIPTION
"A" FRAME	10	"A" FRAME ASSEMBLY
CS902SA	4	90 DEG CORNER ANGLE
CS902SB	4	6" RAD CORNER FILLER "BIG VEE"
5S42300XXX0	4	3' Straight PANEL W/0 Z
5S42400XXX0	2	4' Straight PANEL W/0 Z
5S42800XXX2	7	8' Straight PANEL W/2 Z



NOTE: THIS IS A NON DIVING POOL.

<b>Date:</b> 5/10/2022	<b>Perimeter:</b> 84'-0"	 cardinalpools.com
<b>Drawn By:</b> JESSE H	<b>Area:</b> 392.0 SQ. FT.	
<b>Scale:</b> 1/8" = 1'-0"	<b>Notes:</b> - - - -	

This information is the confidential property of Cardinal Systems, Inc. Disclosure or duplication without proper written approval is strictly prohibited. Acceptance and use of this drawing constitutes knowledge and acceptance by the user of the terms and conditions set forth in the notice and warning which accompanied this drawing is incorporated herein and made part hereof and is found on Cardinal Systems, Inc's website at www.CardinalSystemsInc.com

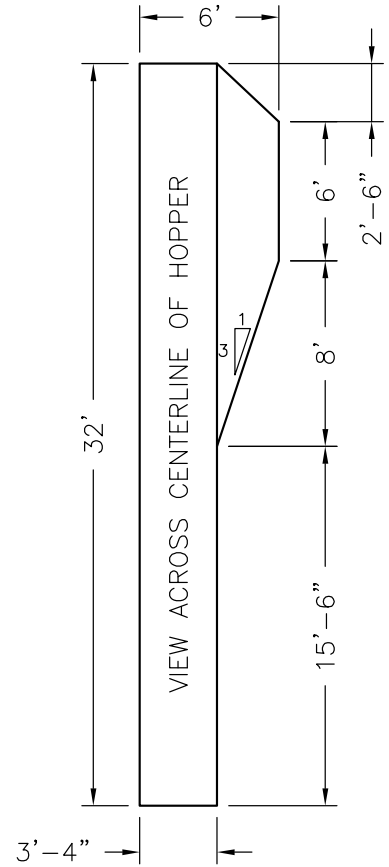
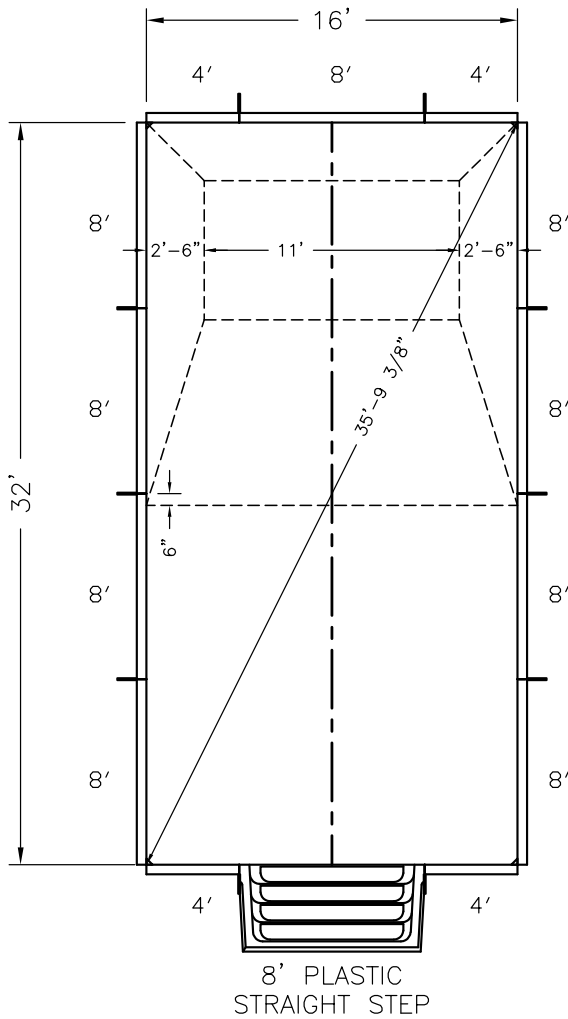


**Pool Size:** 16' X 32'  
**Pool Shape:** RECTANGLE **Approx Gal:** 16,320  
**Pool Number:** 1632RECT – 6 (PLASTIC)


250 Route 61 South, Schuylkill Haven, PA 17972 • 570-385-4733 • fax: 570-385-1318 • CustomerService@CardinalSystemsinc.com

### Bill of Materials

PART NO.	QUANTITY	DESCRIPTION
"A" FRAME	10	"A" FRAME ASSEMBLY
CS902SA	4	90 DEG CORNER ANGLE
CS902SB	4	6" RAD CORNER FILLER "BIG VEE"
5S42400XXX0	4	4' Straight PANEL W/O Z
5S42800XXX2	9	8' Straight PANEL W/2 Z



NOTE: THIS IS A NON DIVING POOL.

<b>Date:</b> 5/10/2022	<b>Perimeter:</b> 96'-0"	 cardinalpools.com
<b>Drawn By:</b> JESSE H	<b>Area:</b> 512.0 SQ. FT.	
<b>Scale:</b> 1/8" = 1'-0"	<b>Notes:</b> -----	

This information is the confidential property of Cardinal Systems, Inc. Disclosure or duplication without proper written approval is strictly prohibited. Acceptance and use of this drawing constitutes knowledge and acceptance by the user of the terms and conditions set forth in the notice and warning which accompanied this drawing is incorporated herein and made part hereof and is found on Cardinal Systems, Inc's website at www.CardinalSystemsInc.com

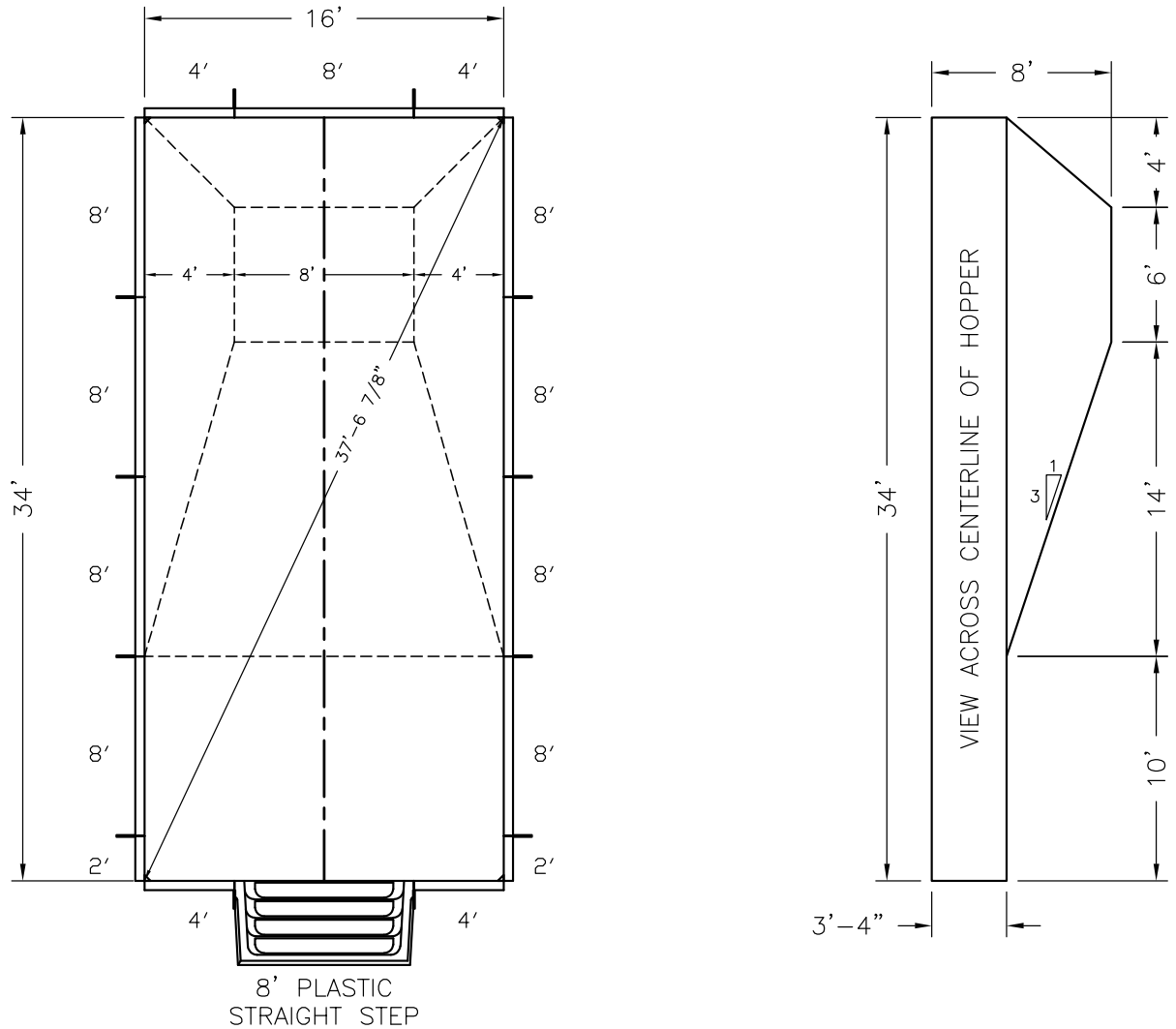


**Pool Size:** 16' X 34'  
**Pool Shape:** RECTANGLE **Approx Gal:** 19,788  
**Pool Number:** 1634RECT – 6 (PLASTIC)

250 Route 61 South, Schuylkill Haven, PA 17972 • 570-385-4733 • fax: 570-385-1318 • CustomerService@CardinalSystemsinc.com

### Bill of Materials

PART NO.	QUANTITY	DESCRIPTION
"A" FRAME	12	"A" FRAME ASSEMBLY
CS902SA	4	90 DEG CORNER ANGLE
CS902SB	4	6" RAD CORNER FILLER "BIG VEE"
5S42200XXX0	2	2' Straight PANEL W/0 Z
5S42400XXX0	4	4' Straight PANEL W/0 Z
5S42800XXX2	9	8' Straight PANEL W/2 Z



**Date:** 5/10/2022

**Perimeter:** 100'-0"

**Drawn By:** JESSE H

**Area:** 544.0 SQ. FT.

**Scale:** 1/8" = 1'-0"

**Notes:** - - - -



cardinalpools.com

This information is the confidential property of Cardinal Systems, Inc. Disclosure or duplication without proper written approval is strictly prohibited. Acceptance and use of this drawing constitutes knowledge and acceptance by the user of the terms and conditions set forth in the notice and warning which accompanied this drawing is incorporated herein and made part hereof and is found on Cardinal Systems, Inc's website at www.CardinalSystemsInc.com

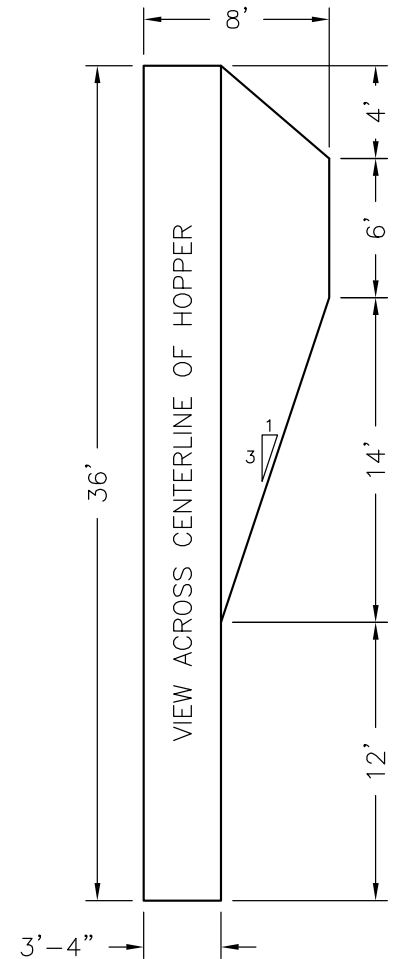
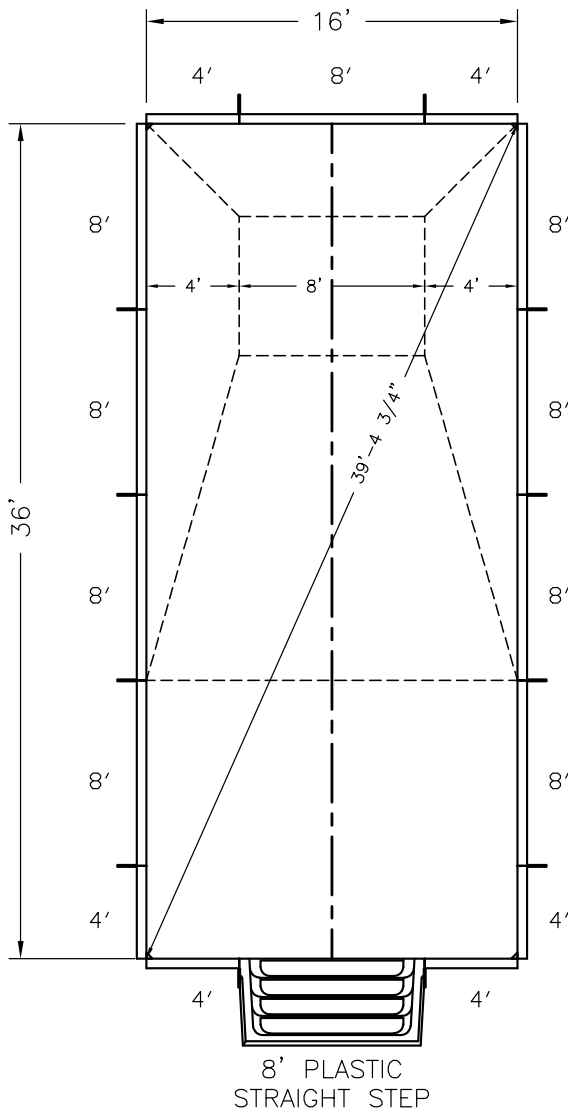


**Pool Size:** 16' X 36'  
**Pool Shape:** RECTANGLE **Approx Gal:** 20,952  
**Pool Number:** 1636RECT - 6 (PLASTIC)

250 Route 61 South, Schuylkill Haven, PA 17972 • 570-385-4733 • fax: 570-385-1318 • CustomerService@CardinalSystemsinc.com

### Bill of Materials

PART NO.	QUANTITY	DESCRIPTION
"A" FRAME	12	"A" FRAME ASSEMBLY
CS902SA	4	90 DEG CORNER ANGLE
CS902SB	4	6" RAD CORNER FILLER "BIG VEE"
5S42400XXX0	6	4' Straight PANEL W/0 Z
5S42800XXX2	9	8' Straight PANEL W/2 Z



<b>Date:</b> 5/10/2022	<b>Perimeter:</b> 104'-0"	
<b>Drawn By:</b> JESSE H	<b>Area:</b> 576.0 SQ. FT.	
<b>Scale:</b> 1/8" = 1'-0"	<b>Notes:</b> - - - -	

This information is the confidential property of Cardinal Systems, Inc. Disclosure or duplication without proper written approval is strictly prohibited. Acceptance and use of this drawing constitutes knowledge and acceptance by the user of the terms and conditions set forth in the notice and warning which accompanied this drawing is incorporated herein and made part hereof and is found on Cardinal Systems, Inc's website at [www.CardinalSystemsInc.com](http://www.CardinalSystemsInc.com)



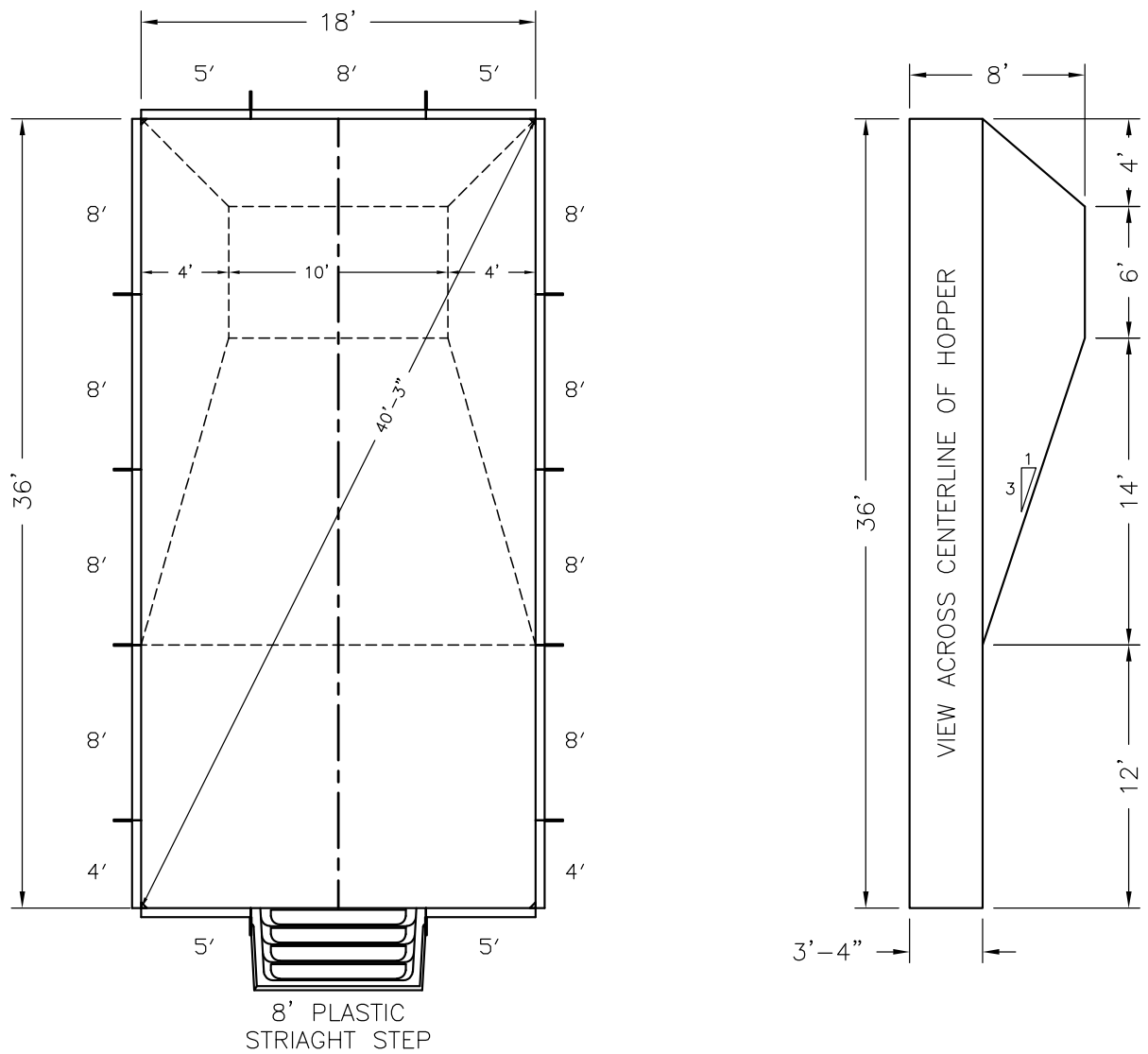


**Pool Size:** 18' X 36'  
**Pool Shape:** RECTANGLE **Approx Gal:** 23,571  
**Pool Number:** 1836RECT – 6 (PLASTIC)

250 Route 61 South, Schuylkill Haven, PA 17972 • 570-385-4733 • fax: 570-385-1318 • CustomerService@CardinalSystemsinc.com

### Bill of Materials

PART NO.	QUANTITY	DESCRIPTION
"A" FRAME	12	"A" FRAME ASSEMBLY
CS902SA	4	90 DEG CORNER ANGLE
CS902SB	4	6" RAD CORNER FILLER "BIG VEE"
5S42400XXX0	2	4' Straight PANEL W/O Z
5S42500XXX0	4	5' Straight PANEL W/O Z
5S42800XXX2	9	8' Straight PANEL W/2 Z



**Date:** 5/10/2022

**Perimeter:** 108'-0"

**Drawn By:** JESSE H

**Area:** 648.0 SQ. FT.

**Scale:** 1/8" = 1'-0"

**Notes:** -----



cardinalpools.com

This information is the confidential property of Cardinal Systems, Inc. Disclosure or duplication without proper written approval is strictly prohibited. Acceptance and use of this drawing constitutes knowledge and acceptance by the user of the terms and conditions set forth in the notice and warning which accompanied this drawing is incorporated herein and made part hereof and is found on Cardinal Systems, Inc's website at www.CardinalSystemsInc.com



**Pool Size:** 20' X 40'

**Pool Shape:** RECTANGLE

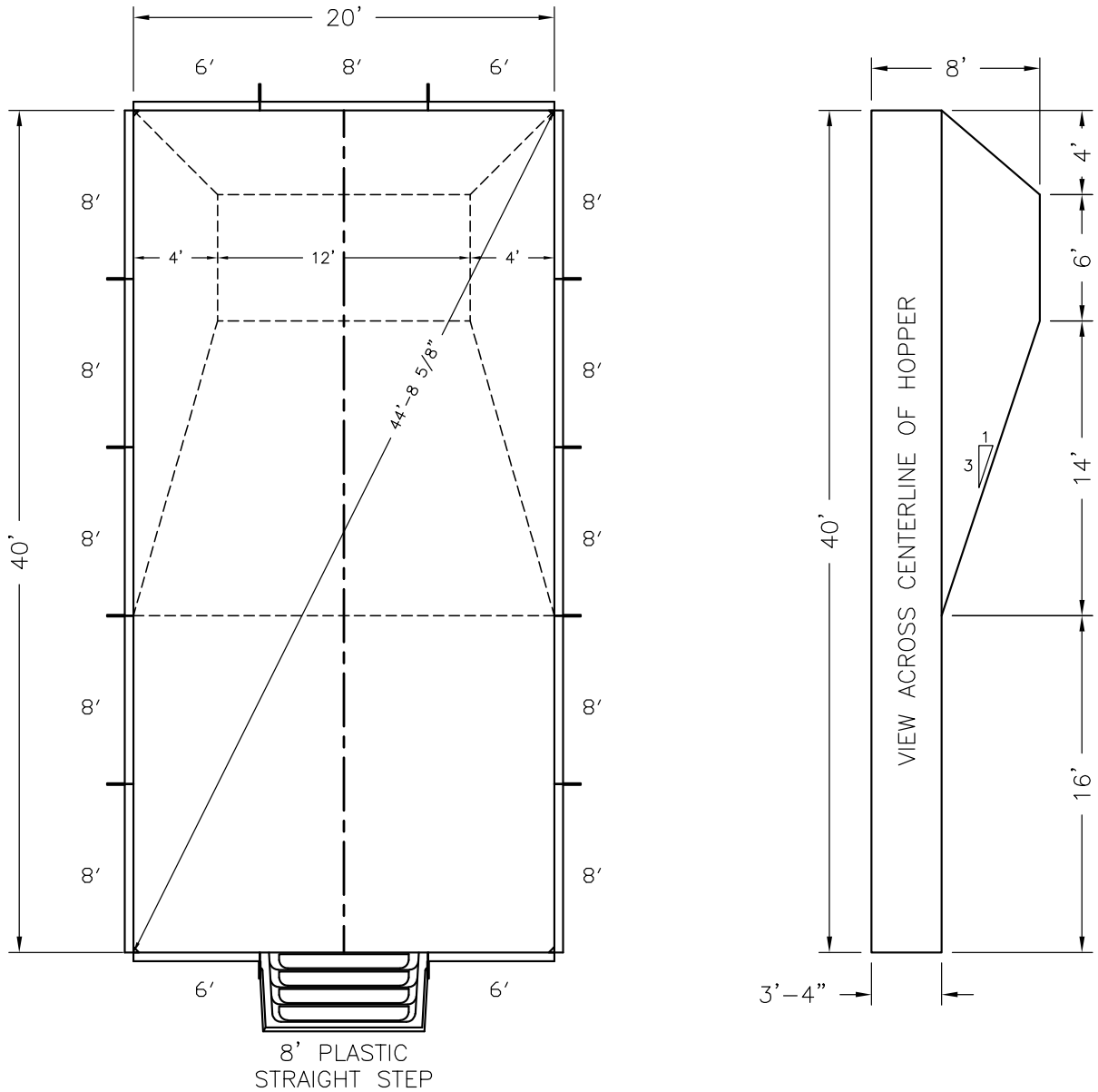
**Approx Gal:** 29,100

**Pool Number:** 2040RECT – 6 (PLASTIC)

250 Route 61 South, Schuylkill Haven, PA 17972 • 570-385-4733 • fax: 570-385-1318 • CustomerService@CardinalSystemsinc.com

Bill of Materials

PART NO.	QUANTITY	DESCRIPTION
"A" FRAME	12	"A" FRAME ASSEMBLY
CS902SA	4	90 DEG CORNER ANGLE
CS902SB	4	6" RAD CORNER FILLER "BIG VEE"
5S42600XXX1	4	6' Straight PANEL W/1 Z
5S42800XXX2	11	8' Straight PANEL W/2 Z



**Date:** 5/10/2022

**Perimeter:** 120'-0"

**Drawn By:** JESSE H

**Area:** 800.0 SQ. FT.

**Scale:** 1/8" = 1'-0"

**Notes:** - - - -



cardinalpools.com

This information is the confidential property of Cardinal Systems, Inc. Disclosure or duplication without proper written approval is strictly prohibited. Acceptance and use of this drawing constitutes knowledge and acceptance by the user of the terms and conditions set forth in the notice and warning which accompanied this drawing is incorporated herein and made part hereof and is found on Cardinal Systems, Inc's website at www.CardinalSystemsInc.com

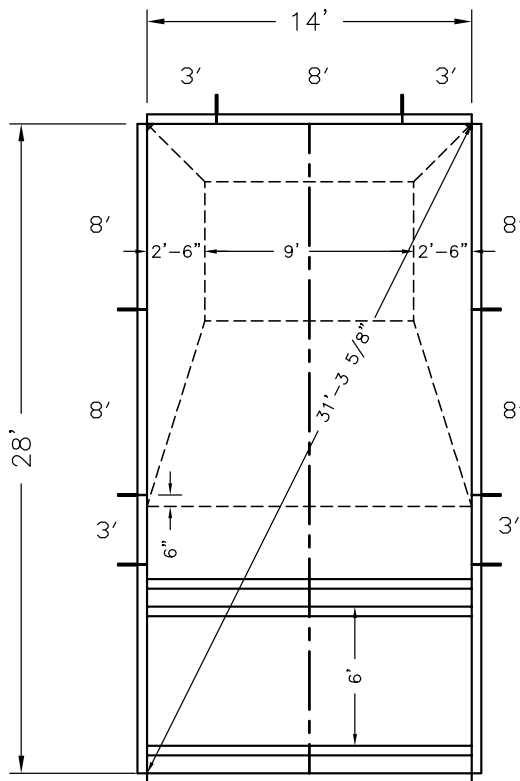


**Pool Size:** 14' X 28'  
**Pool Shape:** RECTANGLE **Approx Gal:** 12,495  
**Pool Number:** 1428RECT - 6 (POURED STEP SUNDECK)

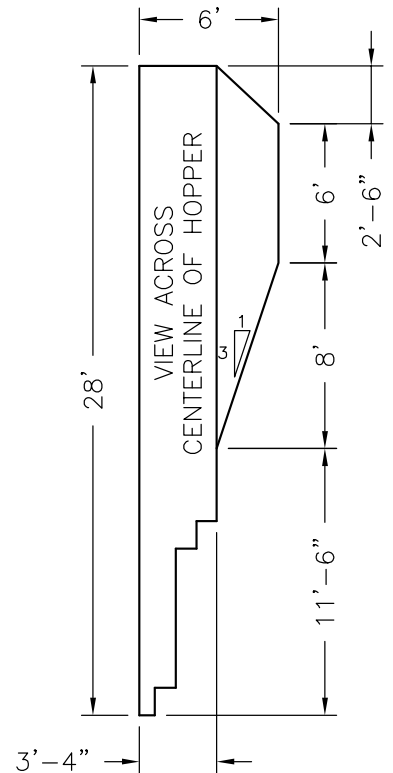
250 Route 61 South, Schuylkill Haven, PA 17972 • 570-385-4733 • fax: 570-385-1318 • CustomerService@CardinalSystemsinc.com

Bill of Materials

PART NO.	QUANTITY	DESCRIPTION
"A" FRAME	8	"A" FRAME ASSEMBLY
CS902SA	2	90 DEG CORNER ANGLE
CS902SB	2	6" RAD CORNER FILLER "BIG VEE"
CSU0CSPXXXDU6X1	1	14' POURED STEP/SUNDECK W/LINER TRACK - SCREED EDGE
5S42300XXX0	4	3' Straight PANEL W/0 Z
5S42800XXX2	5	8' Straight PANEL W/2 Z



14' POURED  
STEP/SUNDECK  
W/LINER TRACK  
SCREED EDGE  
CSU0CSPXXXDU6X1



NOTE: THIS IS A NON DIVING POOL.

Date: 5/10/2022

Perimeter: 84'-0"

Drawn By: JESSE H

Area: 392.0 SQ. FT.

Scale: 1/8" = 1'-0"

Notes: - - - -



cardinalpools.com

This information is the confidential property of Cardinal Systems, Inc. Disclosure or duplication without proper written approval is strictly prohibited. Acceptance and use of this drawing constitutes knowledge and acceptance by the user of the terms and conditions set forth in the notice and warning which accompanied this drawing is incorporated herein and made part hereof and is found on Cardinal Systems, Inc's website at www.CardinalSystemsInc.com

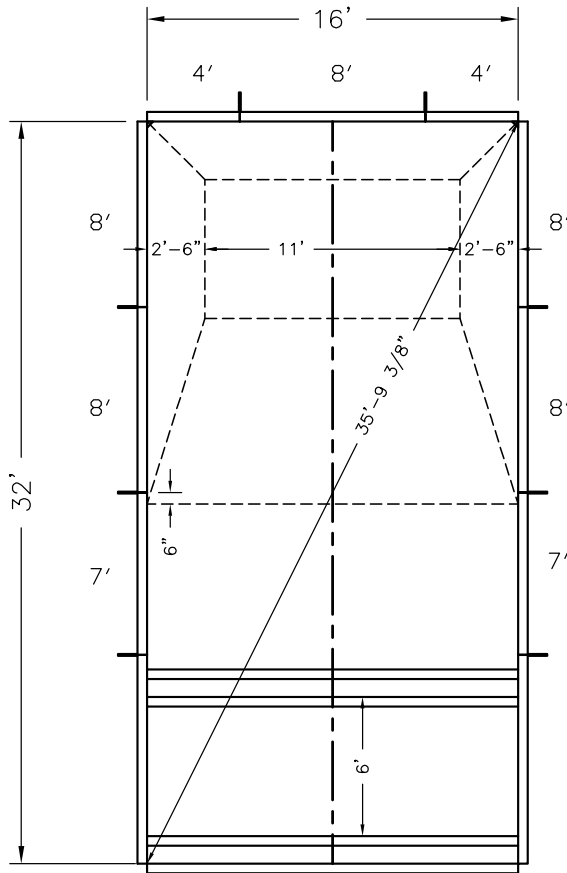


**Pool Size:** 16' X 32'  
**Pool Shape:** RECTANGLE **Approx Gal:** 12,495  
**Pool Number:** 1632RECT – 6 (POURED STEP SUNDECK)

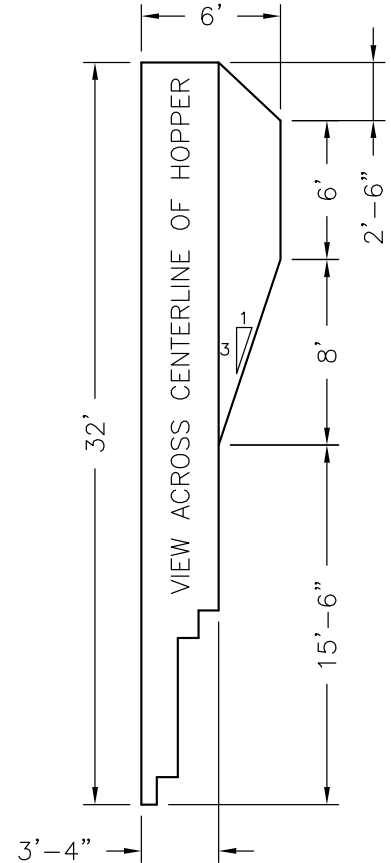
250 Route 61 South, Schuylkill Haven, PA 17972 • 570-385-4733 • fax: 570-385-1318 • CustomerService@CardinalSystemsinc.com

### Bill of Materials

PART NO.	QUANTITY	DESCRIPTION
"A" FRAME	8	"A" FRAME ASSEMBLY
CS902SA	2	90 DEG CORNER ANGLE
CS902SB	2	6" RAD CORNER FILLER "BIG VEE"
CSS0CSPXXXDS6XS	1	16' POURED STEP/SUNDECK W/LINER TRACK - SCREED EDGE
5S42400XXX0	2	4' Straight PANEL W/0 Z
5S42700XXX2	2	7' Straight PANEL W/2 Z
5S42800XXX2	5	8' Straight PANEL W/2 Z



16' POURED  
STEP/SUNDECK  
W/LINER TRACK  
SCREED EDGE  
CSS0CSPXXXDS6XS



NOTE: THIS IS A NON DIVING POOL.

**Date:** 5/10/2022

**Perimeter:** 96'-0"

**Drawn By:** JESSE H

**Area:** 512.0 SQ. FT.

**Scale:** 1/8" = 1'-0"

**Notes:** - - - -



cardinalpools.com

This information is the confidential property of Cardinal Systems, Inc. Disclosure or duplication without proper written approval is strictly prohibited. Acceptance and use of this drawing constitutes knowledge and acceptance by the user of the terms and conditions set forth in the notice and warning which accompanied this drawing is incorporated herein and made part hereof and is found on Cardinal Systems, Inc's website at www.CardinalSystemsInc.com

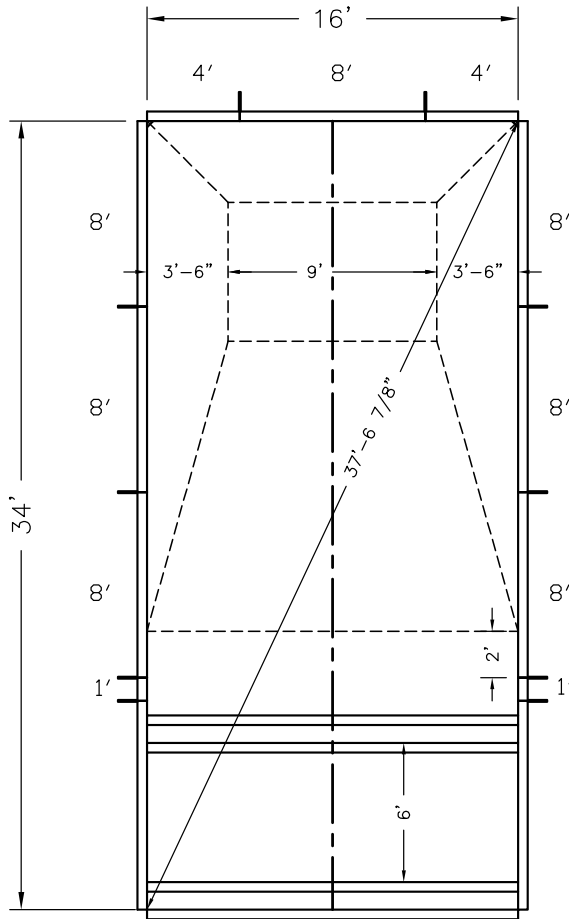


**Pool Size:** 16' X 34'  
**Pool Shape:** RECTANGLE **Approx Gal:** 19,176  
**Pool Number:** 1634RECT – 6 (POURED STEP SUNDECK)

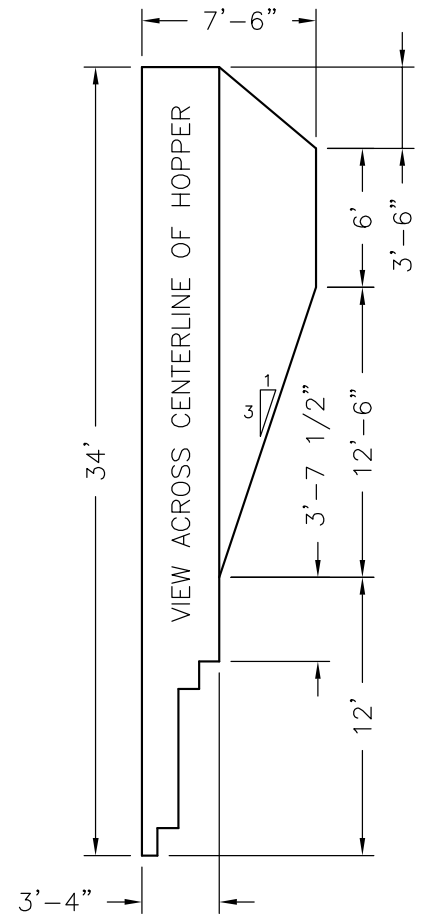
250 Route 61 South, Schuylkill Haven, PA 17972 • 570-385-4733 • fax: 570-385-1318 • CustomerService@CardinalSystemsinc.com

### Bill of Materials

PART NO.	QUANTITY	DESCRIPTION
"A" FRAME	10	"A" FRAME ASSEMBLY
CS902SA	2	90 DEG CORNER ANGLE
CS902SB	2	6" RAD CORNER FILLER "BIG VEE"
CSS0CSPXXXDS6XS	1	16' POURED STEP/SUNDECK W/LINER TRACK - SCREED EDGE
5S42100XXX0	2	1' Straight PANEL W/0 Z
5S42400XXX0	2	4' Straight PANEL W/0 Z
5S42800XXX2	7	8' Straight PANEL W/2 Z



16' POURED  
 STEP/SUNDECK  
 W/LINER TRACK  
 SCREED EDGE  
 CSS0CSPXXXDS6XS



**Date:** 5/10/2022  
**Drawn By:** JESSE H  
**Scale:** 1/8" = 1'-0"

**Perimeter:** 100'-0"  
**Area:** 544.0 SQ. FT.  
**Notes:** -----



This information is the confidential property of Cardinal Systems, Inc. Disclosure or duplication without proper written approval is strictly prohibited. Acceptance and use of this drawing constitutes knowledge and acceptance by the user of the terms and conditions set forth in the notice and warning which accompanied this drawing is incorporated herein and made part hereof and is found on Cardinal Systems, Inc's website at www.CardinalSystemsInc.com

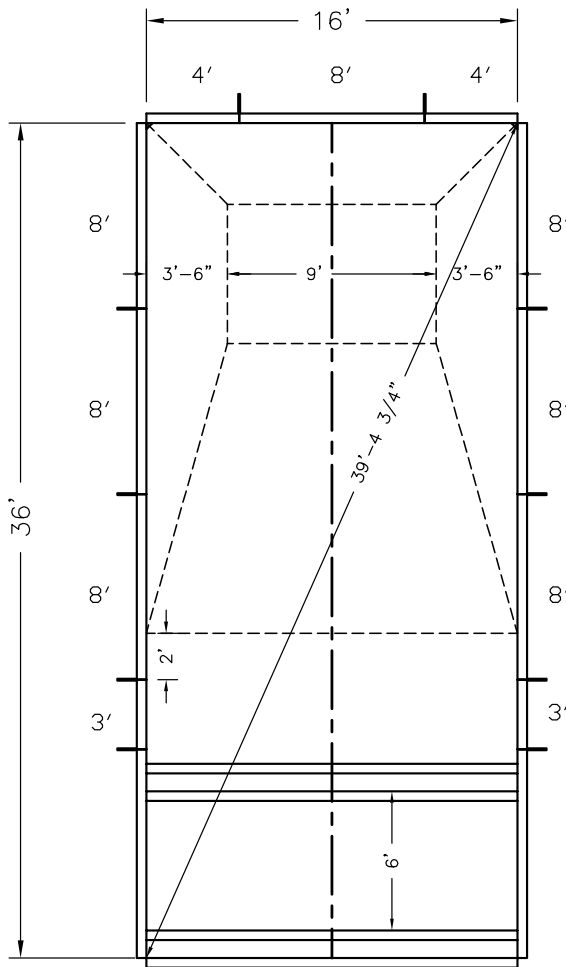


**Pool Size:** 16' X 36'  
**Pool Shape:** RECTANGLE **Approx Gal:** 20,304  
**Pool Number:** 1636RECT – 6 (POURED STEP SUNDECK)

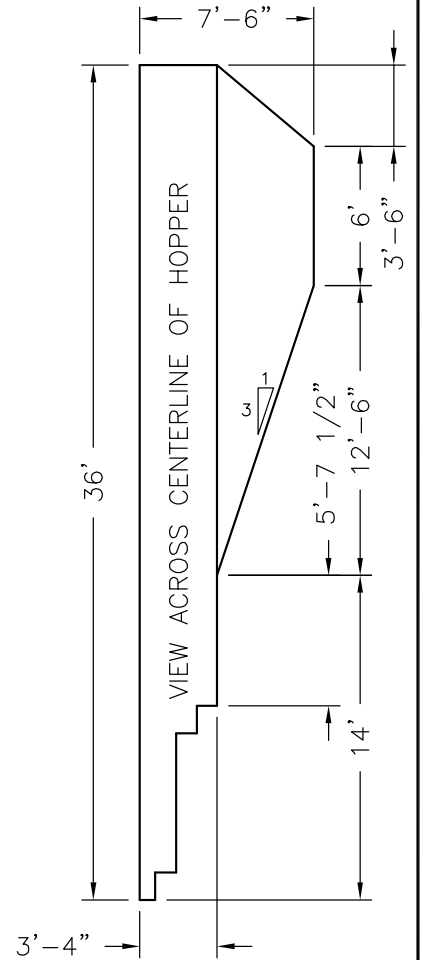
250 Route 61 South, Schuylkill Haven, PA 17972 • 570-385-4733 • fax: 570-385-1318 • CustomerService@CardinalSystemsinc.com

### Bill of Materials

PART NO.	QUANTITY	DESCRIPTION
"A" FRAME	10	"A" FRAME ASSEMBLY
CS902SA	2	90 DEG CORNER ANGLE
CS902SB	2	6" RAD CORNER FILLER "BIG VEE"
CSS0CSPXXXDS6XS	1	16' POURED STEP/SUNDECK W/LINER TRACK - SCREED EDGE
5S42300XXX0	2	3' Straight PANEL W/0 Z
5S42400XXX0	2	4' Straight PANEL W/0 Z
5S42800XXX2	7	8' Straight PANEL W/2 Z



16' POURED  
 STEP/SUNDECK  
 W/LINER TRACK  
 SCREED EDGE  
 CSS0CSPXXXDS6XS



NOTE: THIS IS A NON DIVING POOL.

Date: 5/10/2022

Perimeter: 104'-0"

Drawn By: JESSE H

Area: 576.0 SQ. FT.

Scale: 1/8" = 1'-0"

Notes: -----



cardinalpools.com

This information is the confidential property of Cardinal Systems, Inc. Disclosure or duplication without proper written approval is strictly prohibited. Acceptance and use of this drawing constitutes knowledge and acceptance by the user of the terms and conditions set forth in the notice and warning which accompanied this drawing is incorporated herein and made part hereof and is found on Cardinal Systems, Inc's website at www.CardinalSystemsInc.com

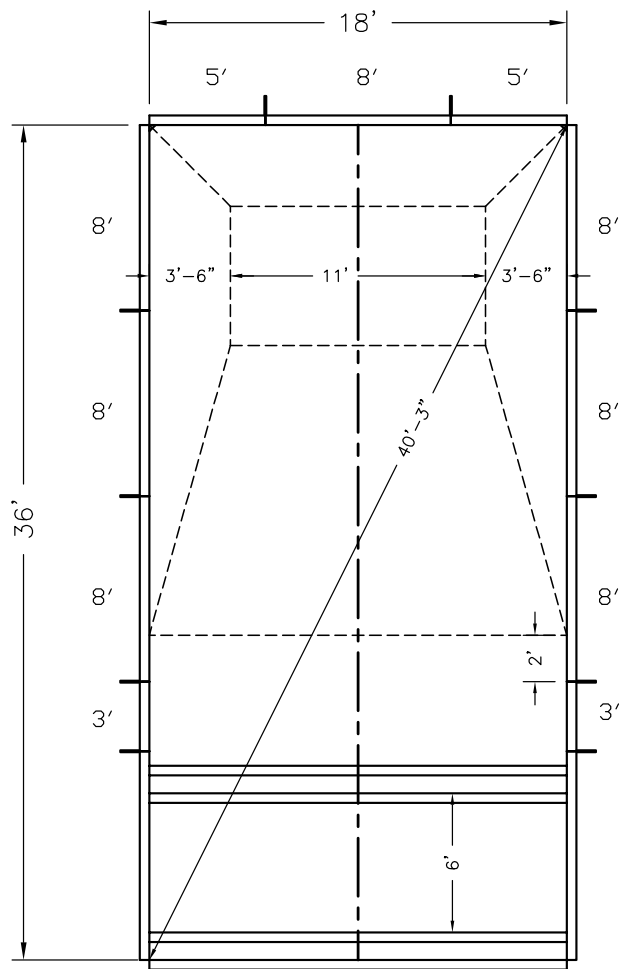


**Pool Size:** 18' X 36'  
**Pool Shape:** RECTANGLE  
**Pool Number:** 1836RECT – 6 (POURED STEP SUNDECK)

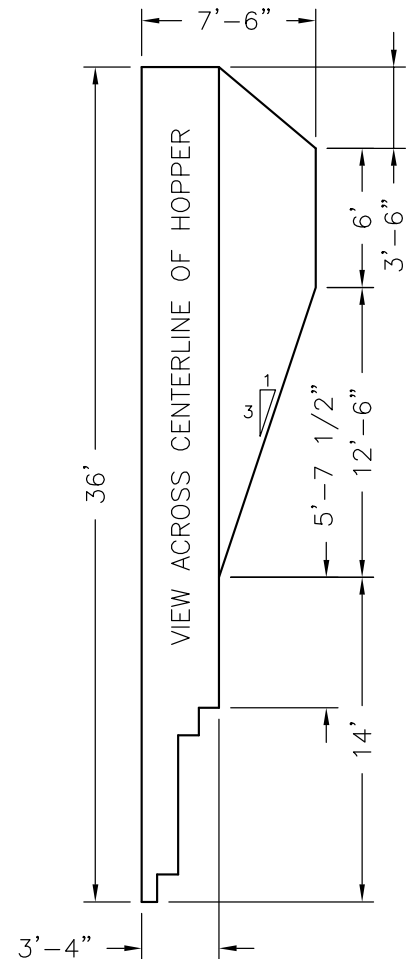
250 Route 61 South, Schuylkill Haven, PA 17972 • 570-385-4733 • fax: 570-385-1318 • CustomerService@CardinalSystemsinc.com

### Bill of Materials

PART NO.	QUANTITY	DESCRIPTION
"A" FRAME	10	"A" FRAME ASSEMBLY
CS902SA	2	90 DEG CORNER ANGLE
CS902SB	2	6" RAD CORNER FILLER "BIG VEE"
CSG0CSPXXXDG6X1	1	18' POURED STEP/SUNDECK W/LINER TRACK - SCREED EDGE
5S42300XXX0	2	3' Straight PANEL W/0 Z
5S42500XXX0	2	5' Straight PANEL W/0 Z
5S42800XXX2	7	8' Straight PANEL W/2 Z



18' POURED  
STEP/SUNDECK  
W/LINER TRACK  
SCREED EDGE  
CSG0CSPXXXDG6X1



NOTE: THIS IS A NON DIVING POOL.

<b>Date:</b> 5/10/2022	<b>Perimeter:</b> 108'-0"	
<b>Drawn By:</b> JESSE H	<b>Area:</b> 648.0 SQ. FT.	
<b>Scale:</b> 1/8" = 1'-0"	<b>Notes:</b> - - - -	

This information is the confidential property of Cardinal Systems, Inc. Disclosure or duplication without proper written approval is strictly prohibited. Acceptance and use of this drawing constitutes knowledge and acceptance by the user of the terms and conditions set forth in the notice and warning which accompanied this drawing is incorporated herein and made part hereof and is found on Cardinal Systems, Inc's website at www.CardinalSystemsInc.com



**Pool Size:** 20' X 40'

**Pool Shape:** RECTANGLE

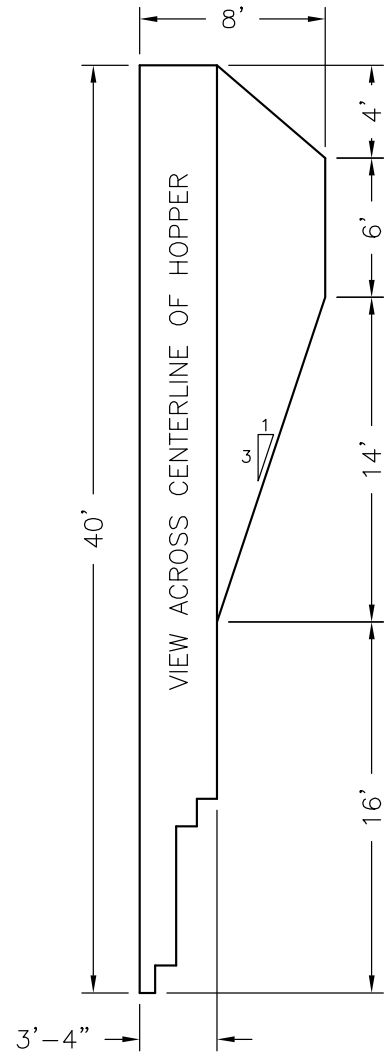
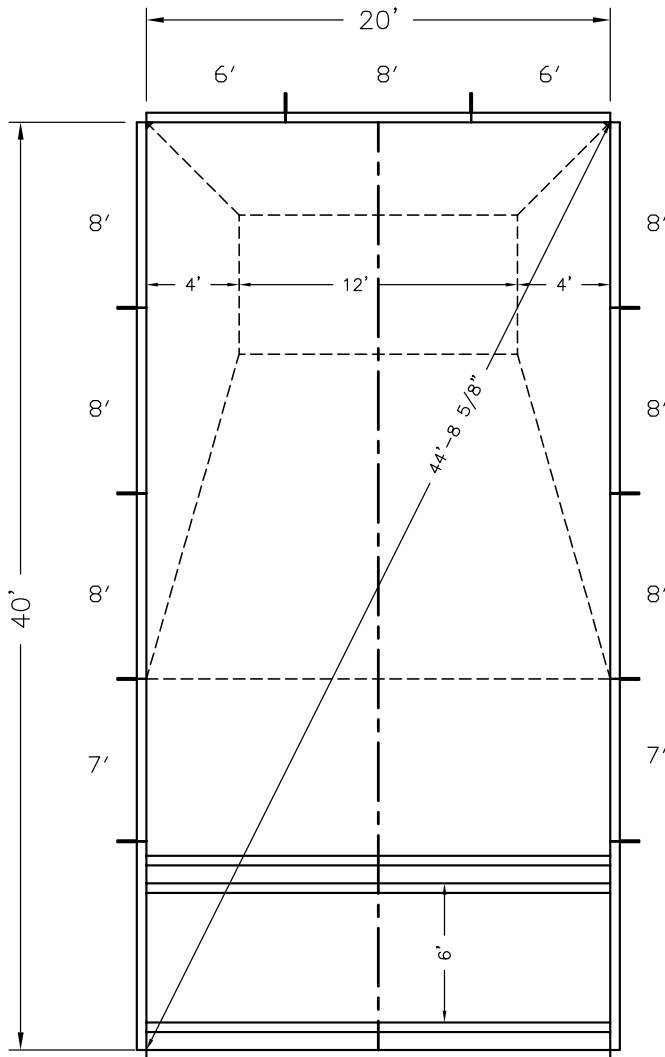
**Approx Gal:** 29,100

**Pool Number:** 2040RECT – 6 (POURED STEP SUNDECK)

250 Route 61 South, Schuylkill Haven, PA 17972 • 570-385-4733 • fax: 570-385-1318 • CustomerService@CardinalSystemsinc.com

Bill of Materials

PART NO.	QUANTITY	DESCRIPTION
"A" FRAME	10	"A" FRAME ASSEMBLY
CS902SA	2	90 DEG CORNER ANGLE
CS902SB	2	6" RAD CORNER FILLER "BIG VEE"
CSY0CSPXXXDY6X0	1	20' POURED STEP/SUNDECK W/LINER TRACK - SCREED EDGE
5S42600XXX1	2	6' Straight PANEL W/1 Z
5S42700XXX2	2	7' Straight PANEL W/2 Z
5S42800XXX2	7	8' Straight PANEL W/2 Z



20' POURED  
STEP/SUNDECK  
W/LINER TRACK  
SCREED EDGE  
CSY0CSPXXXDY6X0

**Date:** 5/10/2022

**Perimeter:** 120'-0"

**Drawn By:** JESSE H

**Area:** 800.0 SQ. FT.

**Scale:** 1/8" = 1'-0"

**Notes:** -----



cardinalpools.com

This information is the confidential property of Cardinal Systems, Inc. Disclosure or duplication without proper written approval is strictly prohibited. Acceptance and use of this drawing constitutes knowledge and acceptance by the user of the terms and conditions set forth in the notice and warning which accompanied this drawing is incorporated herein and made part hereof and is found on Cardinal Systems, Inc's website at www.CardinalSystemsInc.com



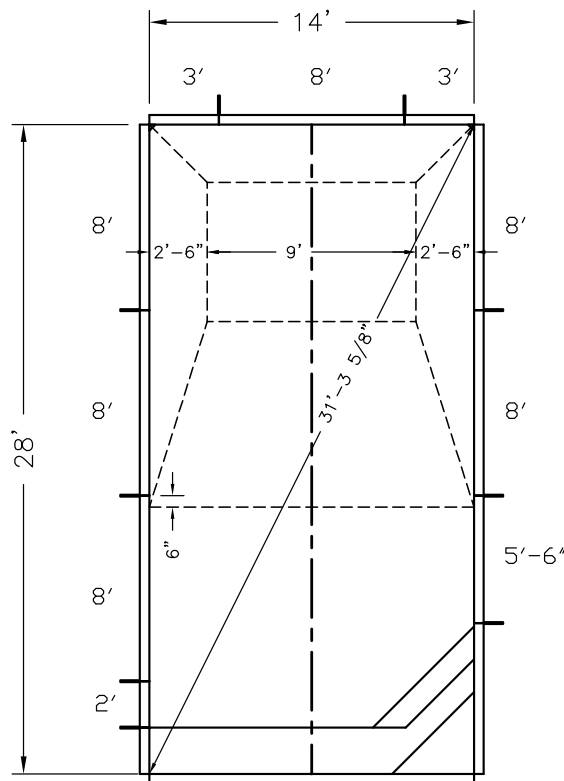


**Pool Size:** 14' X 28'  
**Pool Shape:** RECTANGLE **Approx Gal:** 12,495  
**Pool Number:** 1428RECT – 6 (STEEL STEP BENCH L)

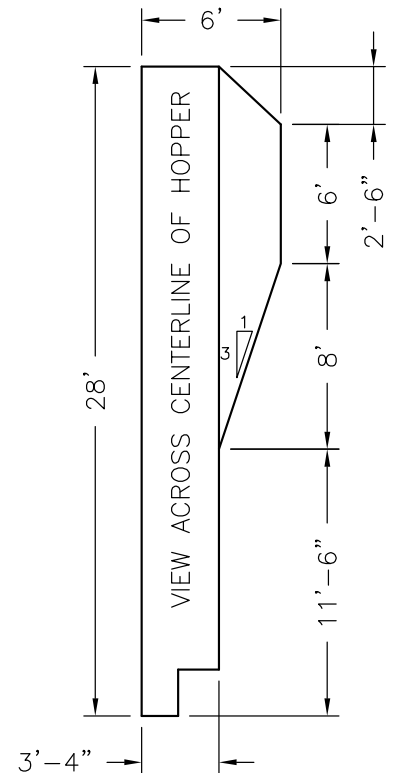
250 Route 61 South, Schuylkill Haven, PA 17972 • 570-385-4733 • fax: 570-385-1318 • CustomerService@CardinalSystemsinc.com

### Bill of Materials

PART NO.	QUANTITY	DESCRIPTION
"A" FRAME	9	"A" FRAME ASSEMBLY
AS62LCNBE0XXXX0	1	14' STEEL CORNER STEP/BENCH W/LINER TRACK
CS902SA	2	90 DEG CORNER ANGLE
CS902SB	2	6" RAD CORNER FILLER "BIG VEE"
5S42200XXX0	1	2' Straight PANEL W/0 Z
5S42300XXX0	2	3' Straight PANEL W/0 Z
5S42560XXX1	1	5'-6" Straight PANEL W/1 Z
5S42800XXX2	6	8' Straight PANEL W/2 Z



14' STEEL CORNER  
STEP/BENCH  
W/LINER TRACK  
AS62LCNBE0XXXX0



NOTE: THIS IS A NON DIVING POOL.

<b>Date:</b> 5/10/2022	<b>Perimeter:</b> 84'-0"	
<b>Drawn By:</b> JESSE H	<b>Area:</b> 392.0 SQ. FT.	
<b>Scale:</b> 1/8" = 1'-0"	<b>Notes:</b> - - - -	

This information is the confidential property of Cardinal Systems, Inc. Disclosure or duplication without proper written approval is strictly prohibited. Acceptance and use of this drawing constitutes knowledge and acceptance by the user of the terms and conditions set forth in the notice and warning which accompanied this drawing is incorporated herein and made part hereof and is found on Cardinal Systems, Inc's website at www.CardinalSystemsInc.com

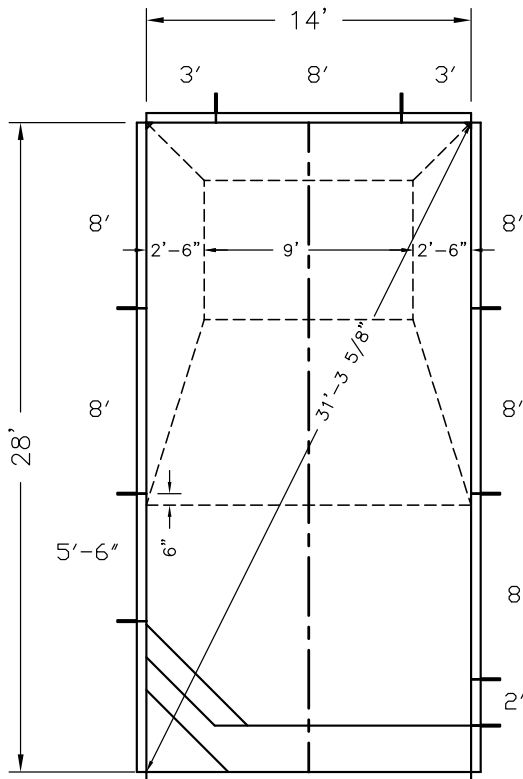


**Pool Size:** 14' X 28'  
**Pool Shape:** RECTANGLE **Approx Gal:** 12,495  
**Pool Number:** 1428RECT – 6 (STEEL STEP BENCH R)

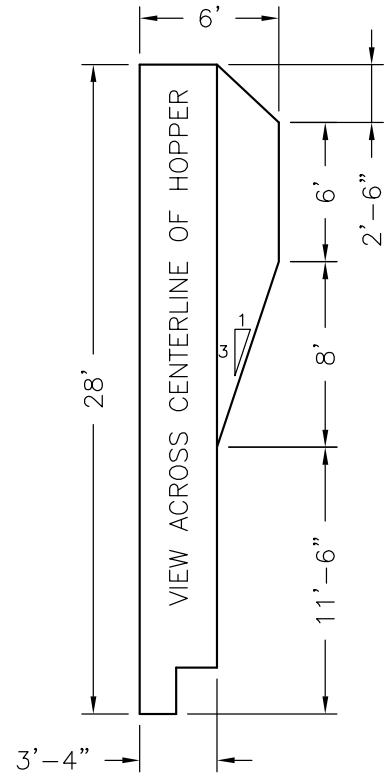
250 Route 61 South, Schuylkill Haven, PA 17972 • 570-385-4733 • fax: 570-385-1318 • CustomerService@CardinalSystemsinc.com

### Bill of Materials

PART NO.	QUANTITY	DESCRIPTION
"A" FRAME	9	"A" FRAME ASSEMBLY
AS62RCNBE0XXXX0	1	14' STEEL CORNER STEP/BENCH W/LINER TRACK
CS902SA	2	90 DEG CORNER ANGLE
CS902SB	2	6" RAD CORNER FILLER "BIG VEE"
5S42200XXX0	1	2' Straight PANEL W/0 Z
5S42300XXX0	2	3' Straight PANEL W/0 Z
5S42560XXX1	1	5'-6" Straight PANEL W/1 Z
5S42800XXX2	6	8' Straight PANEL W/2 Z



14' STEEL CORNER STEP/BENCH W/LINER TRACK AS62RCNBE0XXXX0



NOTE: THIS IS A NON DIVING POOL.

Date: 5/10/2022

Perimeter: 84'-0"

Drawn By: JESSE H

Area: 392.0 SQ. FT.

Scale: 1/8" = 1'-0"

Notes: -----



cardinalpools.com

This information is the confidential property of Cardinal Systems, Inc. Disclosure or duplication without proper written approval is strictly prohibited. Acceptance and use of this drawing constitutes knowledge and acceptance by the user of the terms and conditions set forth in the notice and warning which accompanied this drawing is incorporated herein and made part hereof and is found on Cardinal Systems, Inc's website at www.CardinalSystemsInc.com

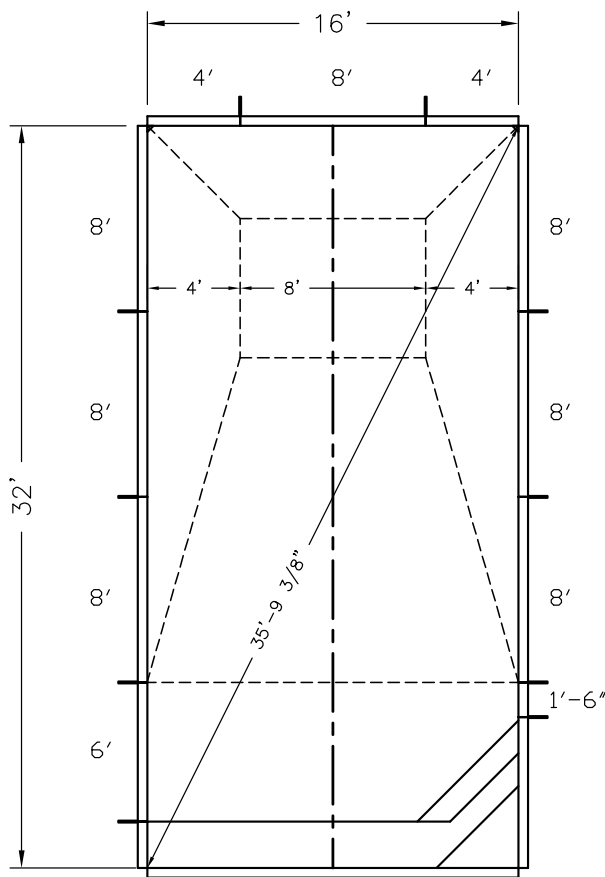


**Pool Size:** 16' X 32'  
**Pool Shape:** RECTANGLE **Approx Gal:** 18,624  
**Pool Number:** 1632RECT – 6 (STEEL STEP BENCH L)

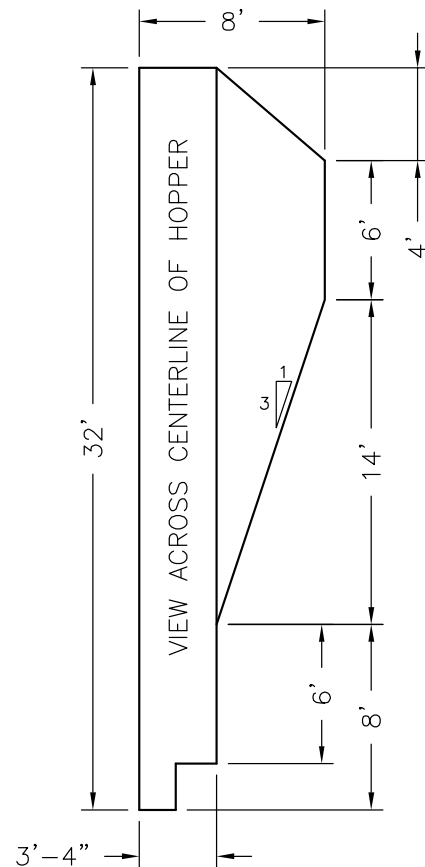
250 Route 61 South, Schuylkill Haven, PA 17972 • 570-385-4733 • fax: 570-385-1318 • CustomerService@CardinalSystemsinc.com

### Bill of Materials

PART NO.	QUANTITY	DESCRIPTION
"A" FRAME	10	"A" FRAME ASSEMBLY
AS8ELCNBH0XXXX0	1	16' STEEL CORNER STEP/BENCH W/LINER TRACK
CS902SA	2	90 DEG CORNER ANGLE
CS902SB	2	6" RAD CORNER FILLER "BIG VEE"
5S42160XXX0	1	1'-6" Straight PANEL W/0 Z
5S42400XXX0	2	4' Straight PANEL W/0 Z
5S42600XXX1	1	6' Straight PANEL W/1 Z
5S42800XXX2	7	8' Straight PANEL W/2 Z



16' STEEL CORNER  
STEP/BENCH  
W/LINER TRACK  
AS8ELCNBH0XXXX0



**Date:** 5/10/2022

**Perimeter:** 96'-0"

**Drawn By:** JESSE H

**Area:** 512.0 SQ. FT.

**Scale:** 1/8" = 1'-0"

**Notes:** - - - -



cardinalpools.com

This information is the confidential property of Cardinal Systems, Inc. Disclosure or duplication without proper written approval is strictly prohibited. Acceptance and use of this drawing constitutes knowledge and acceptance by the user of the terms and conditions set forth in the notice and warning which accompanied this drawing is incorporated herein and made part hereof and is found on Cardinal Systems, Inc's website at www.CardinalSystemsInc.com

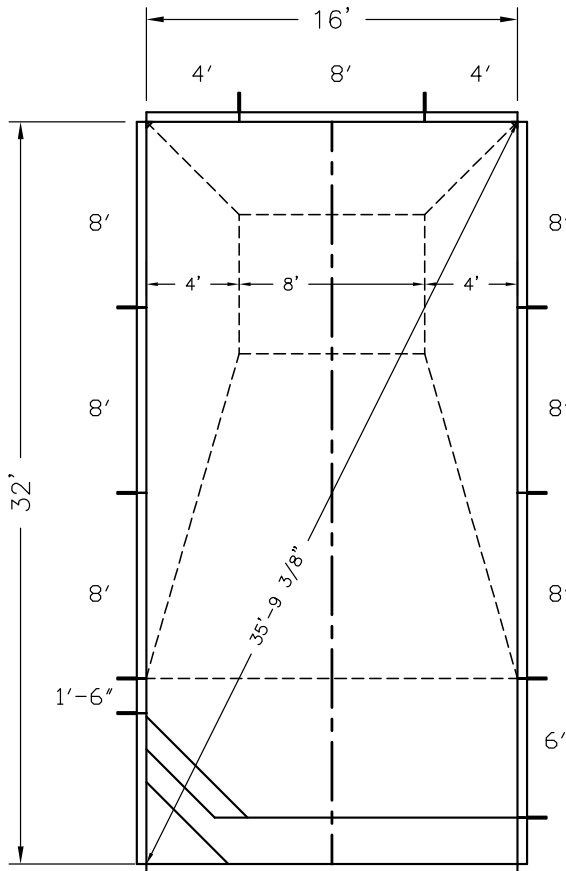


**Pool Size:** 16' X 32'  
**Pool Shape:** RECTANGLE **Approx Gal:** 18,624  
**Pool Number:** 1632RECT – 6 (STEEL STEP BENCH R)

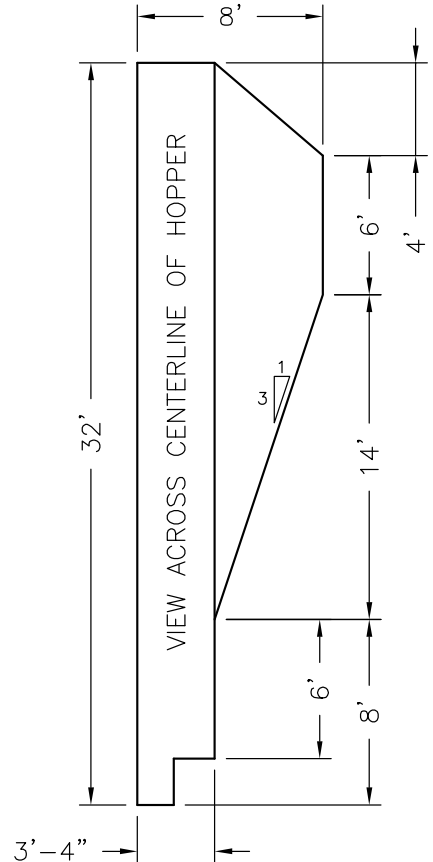
250 Route 61 South, Schuylkill Haven, PA 17972 • 570-385-4733 • fax: 570-385-1318 • CustomerService@CardinalSystemsinc.com

### Bill of Materials

PART NO.	QUANTITY	DESCRIPTION
"A" FRAME	10	"A" FRAME ASSEMBLY
AS8ERCNBH0XXXX0	1	16' STEEL CORNER STEP/BENCH W/LINER TRACK
CS902SA	2	90 DEG CORNER ANGLE
CS902SB	2	6" RAD CORNER FILLER "BIG VEE"
5S42160XXX0	1	1'-6" Straight PANEL W/0 Z
5S42400XXX0	2	4' Straight PANEL W/0 Z
5S42600XXX1	1	6' Straight PANEL W/1 Z
5S42800XXX2	7	8' Straight PANEL W/2 Z



16' STEEL CORNER  
STEP/BENCH  
W/LINER TRACK  
AS8ERCNBH0XXXX0



VIEW ACROSS CENTERLINE OF HOPPER

Date: 5/10/2022

Perimeter: 96'-0"

Drawn By: JESSE H

Area: 512.0 SQ. FT.

Scale: 1/8" = 1'-0"

Notes: -----



cardinalpools.com

This information is the confidential property of Cardinal Systems, Inc. Disclosure or duplication without proper written approval is strictly prohibited. Acceptance and use of this drawing constitutes knowledge and acceptance by the user of the terms and conditions set forth in the notice and warning which accompanied this drawing is incorporated herein and made part hereof and is found on Cardinal Systems, Inc's website at www.CardinalSystemsInc.com

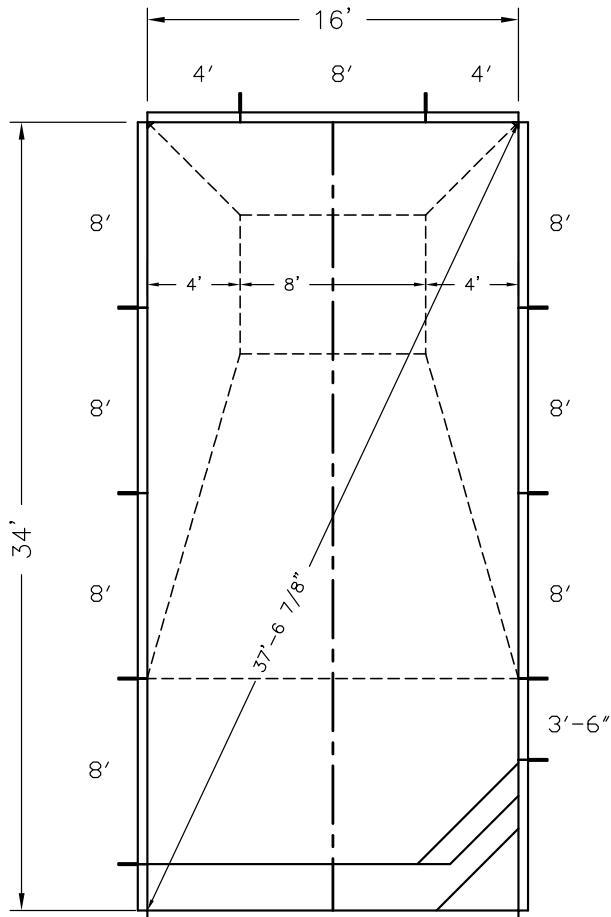


**Pool Size:** 16' X 34'  
**Pool Shape:** RECTANGLE **Approx Gal:** 19,788  
**Pool Number:** 1634RECT – 6 (STEEL STEP BENCH L)

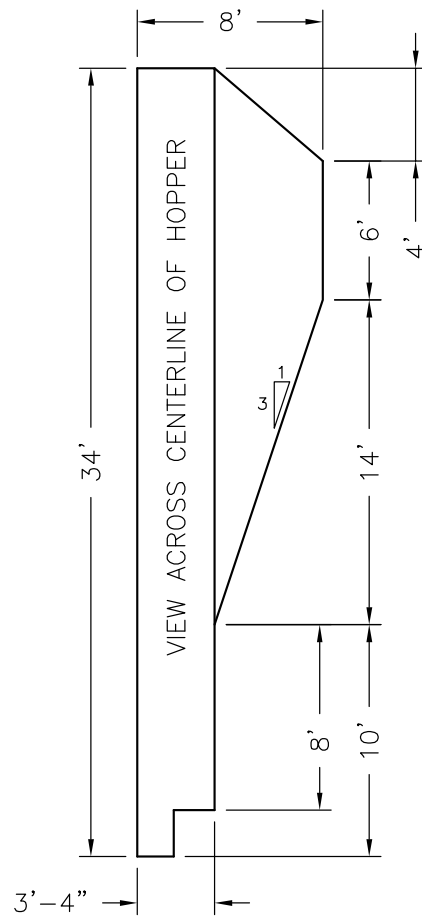
250 Route 61 South, Schuylkill Haven, PA 17972 • 570-385-4733 • fax: 570-385-1318 • CustomerService@CardinalSystemsinc.com

### Bill of Materials

PART NO.	QUANTITY	DESCRIPTION
"A" FRAME	10	"A" FRAME ASSEMBLY
AS8ELCNBH0XXXX0	1	16' STEEL CORNER STEP/BENCH W/LINER TRACK
CS902SA	2	90 DEG CORNER ANGLE
CS902SB	2	6" RAD CORNER FILLER "BIG VEE"
5S42360XXX0	1	3'-6" Straight PANEL W/0 Z
5S42400XXX0	2	4' Straight PANEL W/0 Z
5S42800XXX2	8	8' Straight PANEL W/2 Z



16' STEEL CORNER  
STEP/BENCH  
W/LINER TRACK  
AS8ELCNBH0XXXX0



VIEW ACROSS CENTERLINE OF HOPPER

**Date:** 5/10/2022

**Perimeter:** 100'-0"

**Drawn By:** JESSE H

**Area:** 544.0 SQ. FT.

**Scale:** 1/8" = 1'-0"

**Notes:** - - - -



cardinalpools.com

This information is the confidential property of Cardinal Systems, Inc. Disclosure or duplication without proper written approval is strictly prohibited. Acceptance and use of this drawing constitutes knowledge and acceptance by the user of the terms and conditions set forth in the notice and warning which accompanied this drawing is incorporated herein and made part hereof and is found on Cardinal Systems, Inc's website at www.CardinalSystemsInc.com

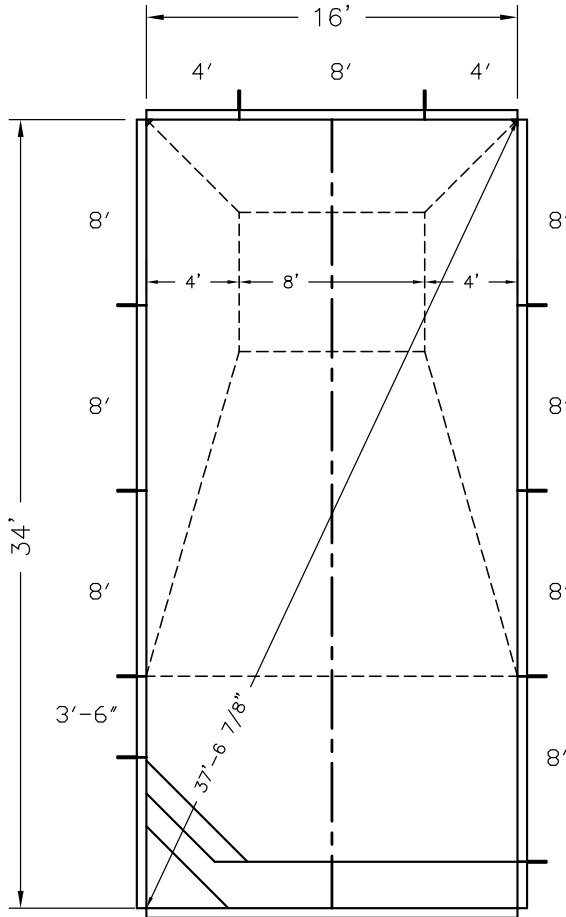


**Pool Size:** 16' X 34'  
**Pool Shape:** RECTANGLE **Approx Gal:** 19,788  
**Pool Number:** 1634RECT – 6 (STEEL STEP BENCH R)

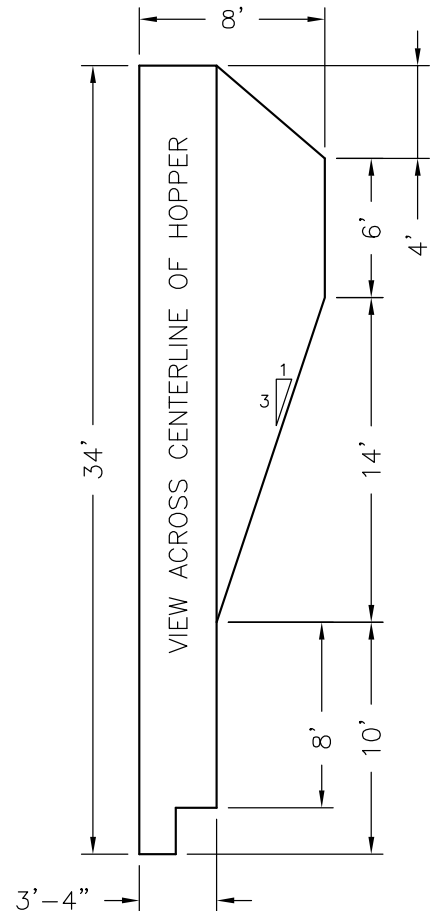
250 Route 61 South, Schuylkill Haven, PA 17972 • 570-385-4733 • fax: 570-385-1318 • CustomerService@CardinalSystemsinc.com

### Bill of Materials

PART NO.	QUANTITY	DESCRIPTION
"A" FRAME	10	"A" FRAME ASSEMBLY
AS8ERCNBH0XXXX0	1	16' STEEL CORNER STEP/BENCH W/LINER TRACK
CS902SA	2	90 DEG CORNER ANGLE
CS902SB	2	6" RAD CORNER FILLER "BIG VEE"
5S42360XXX0	1	3'-6" Straight PANEL W/O Z
5S42400XXX0	2	4' Straight PANEL W/O Z
5S42800XXX2	8	8' Straight PANEL W/2 Z



16' STEEL CORNER  
STEP/BENCH  
W/LINER TRACK  
AS8ERCNBH0XXXX0



VIEW ACROSS CENTERLINE OF HOPPER

Date: 5/10/2022

Perimeter: 100'-0"

Drawn By: JESSE H

Area: 544.0 SQ. FT.

Scale: 1/8" = 1'-0"

Notes: -----



cardinalpools.com

This information is the confidential property of Cardinal Systems, Inc. Disclosure or duplication without proper written approval is strictly prohibited. Acceptance and use of this drawing constitutes knowledge and acceptance by the user of the terms and conditions set forth in the notice and warning which accompanied this drawing is incorporated herein and made part hereof and is found on Cardinal Systems, Inc's website at www.CardinalSystemsInc.com

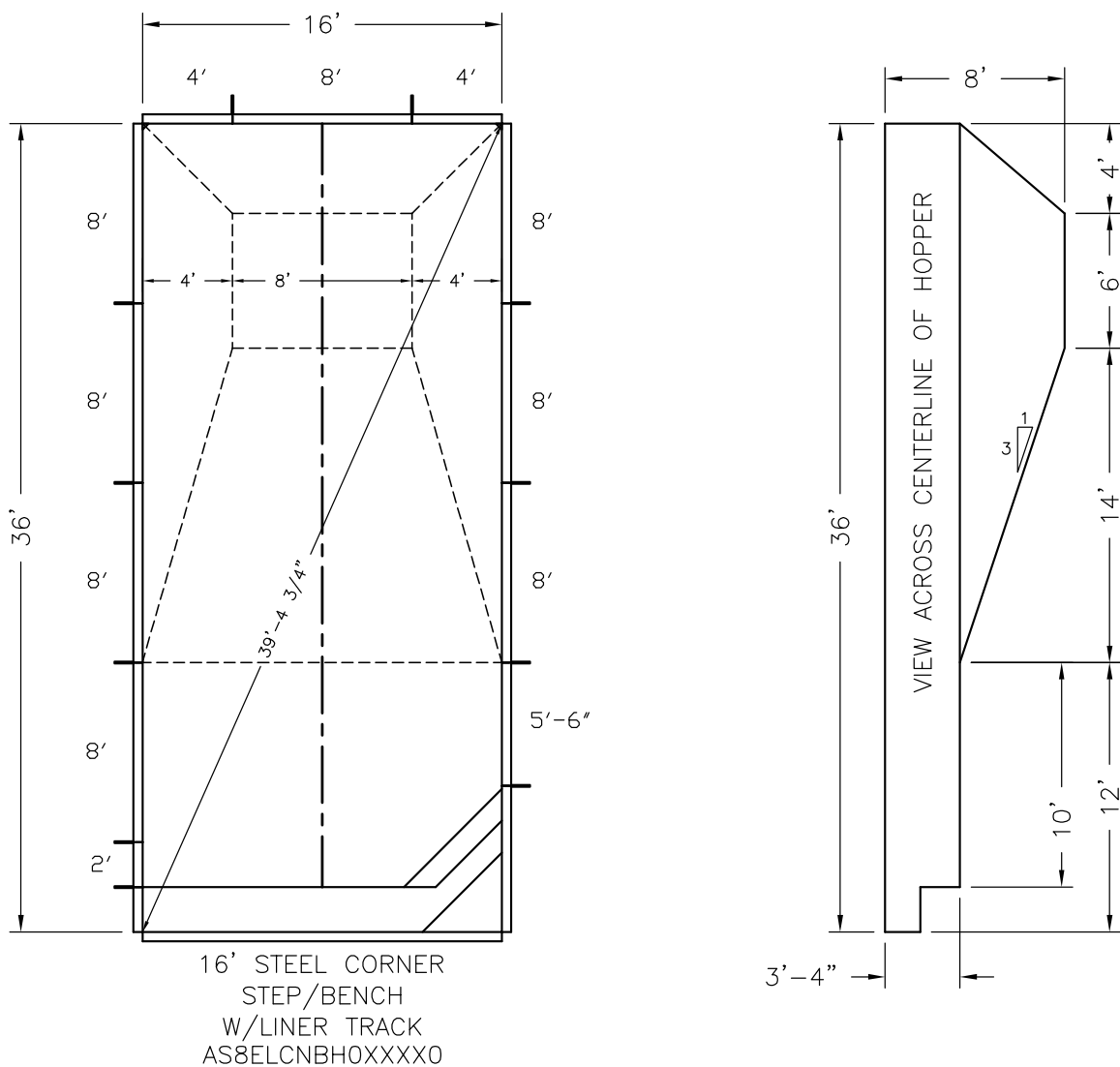


**Pool Size:** 16' X 36'  
**Pool Shape:** RECTANGLE **Approx Gal:** 20,952  
**Pool Number:** 1636RECT – 6 (STEEL STEP BENCH L)

250 Route 61 South, Schuylkill Haven, PA 17972 • 570-385-4733 • fax: 570-385-1318 • CustomerService@CardinalSystemsinc.com

### Bill of Materials

PART NO.	QUANTITY	DESCRIPTION
"A" FRAME	11	"A" FRAME ASSEMBLY
AS8ELCNBH0XXXX0	1	16' STEEL CORNER STEP/BENCH W/LINER TRACK
CS902SA	2	90 DEG CORNER ANGLE
CS902SB	2	6" RAD CORNER FILLER "BIG VEE"
5S42200XXX0	1	2' Straight PANEL W/0 Z
5S42400XXX0	2	4' Straight PANEL W/0 Z
5S42560XXX1	1	5'-6" Straight PANEL W/1 Z
5S42800XXX2	8	8' Straight PANEL W/2 Z



**Date:** 5/10/2022

**Perimeter:** 104'-0"

**Drawn By:** JESSE H

**Area:** 576.0 SQ. FT.

**Scale:** 1/8" = 1'-0"

**Notes:** - - - -



cardinalpools.com

This information is the confidential property of Cardinal Systems, Inc. Disclosure or duplication without proper written approval is strictly prohibited. Acceptance and use of this drawing constitutes knowledge and acceptance by the user of the terms and conditions set forth in the notice and warning which accompanied this drawing is incorporated herein and made part hereof and is found on Cardinal Systems, Inc's website at www.CardinalSystemsInc.com

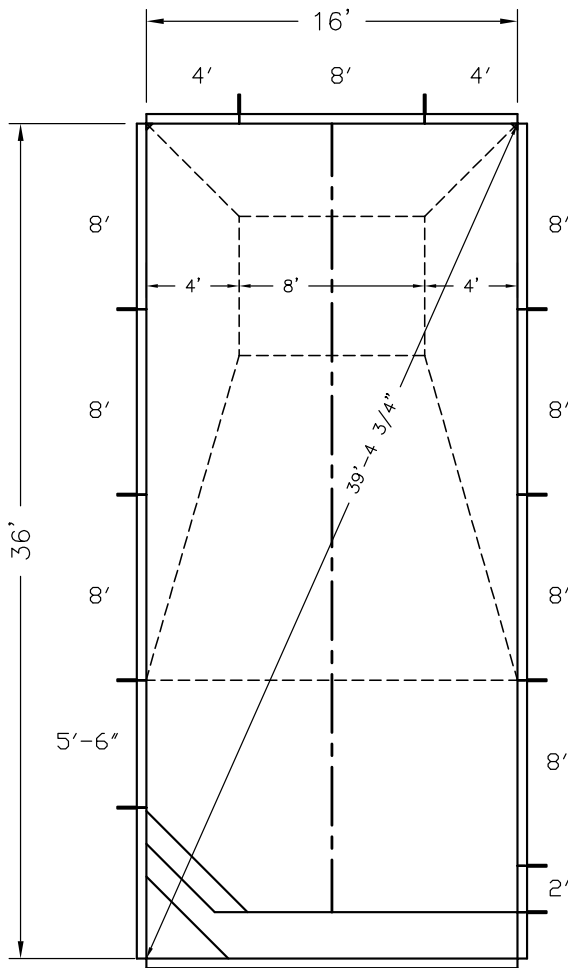


**Pool Size:** 16' X 36'  
**Pool Shape:** RECTANGLE **Approx Gal:** 20,952  
**Pool Number:** 1636RECT – 6 (STEEL STEP BENCH R)

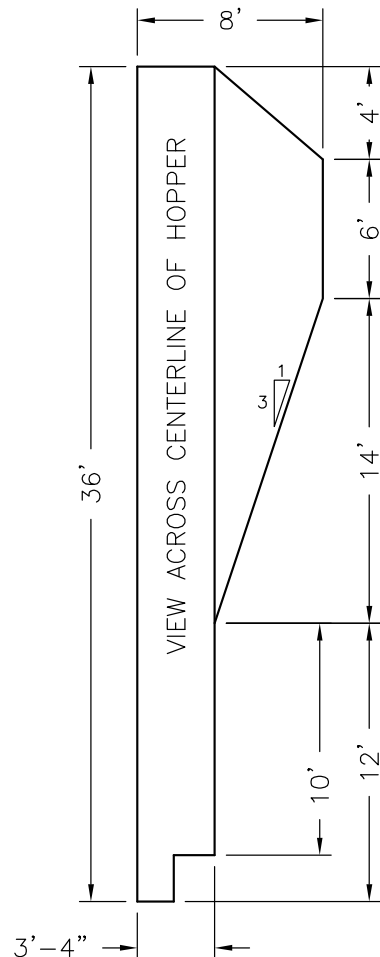
250 Route 61 South, Schuylkill Haven, PA 17972 • 570-385-4733 • fax: 570-385-1318 • CustomerService@CardinalSystemsinc.com

### Bill of Materials

PART NO.	QUANTITY	DESCRIPTION
"A" FRAME	11	"A" FRAME ASSEMBLY
AS8ERCNBH0XXXX0	1	16' STEEL CORNER STEP/BENCH W/LINER TRACK
CS902SA	2	90 DEG CORNER ANGLE
CS902SB	2	6" RAD CORNER FILLER "BIG VEE"
5S42200XXX0	1	2' Straight PANEL W/0 Z
5S42400XXX0	2	4' Straight PANEL W/0 Z
5S42560XXX1	1	5'-6" Straight PANEL W/1 Z
5S42800XXX2	8	8' Straight PANEL W/2 Z



16' STEEL CORNER  
STEP/BENCH  
W/LINER TRACK  
AS8ERCNBH0XXXX0



**Date:** 5/10/2022

**Perimeter:** 104'-0"

**Drawn By:** JESSE H

**Area:** 576.0 SQ. FT.

**Scale:** 1/8" = 1'-0"

**Notes:** -----



cardinalpools.com

This information is the confidential property of Cardinal Systems, Inc. Disclosure or duplication without proper written approval is strictly prohibited. Acceptance and use of this drawing constitutes knowledge and acceptance by the user of the terms and conditions set forth in the notice and warning which accompanied this drawing. It is incorporated herein and made part hereof and is found on Cardinal Systems, Inc's website at www.CardinalSystemsInc.com



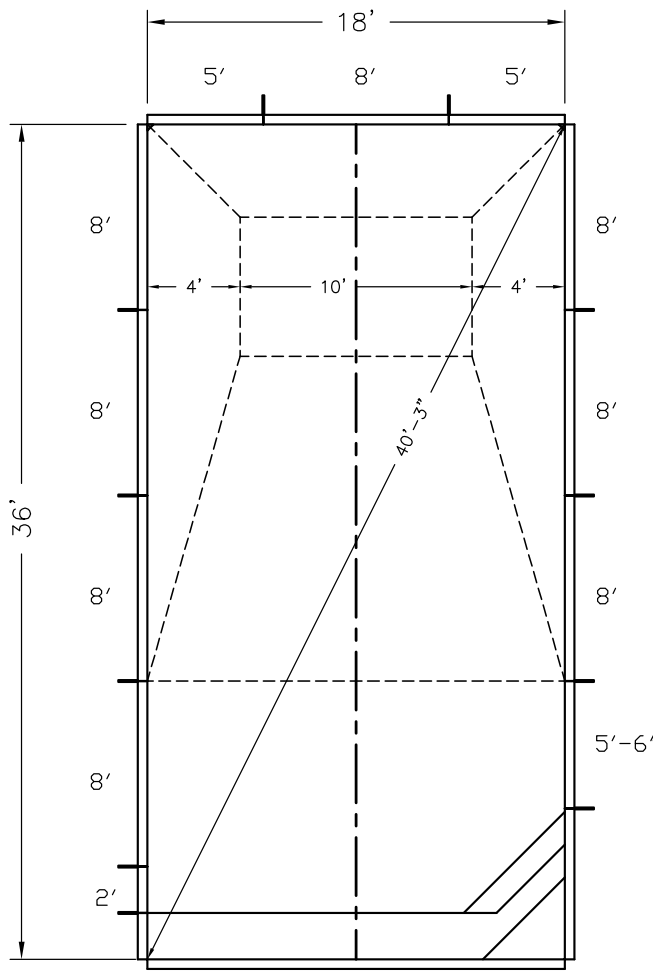


**Pool Size:** 18' X 36'  
**Pool Shape:** RECTANGLE **Approx Gal:** 23,571  
**Pool Number:** 1836RECT – 6 (STEEL STEP BENCH L)

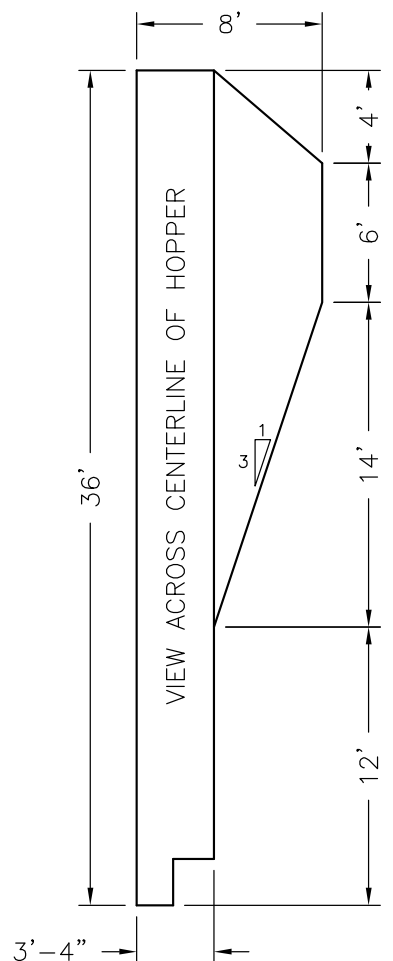
250 Route 61 South, Schuylkill Haven, PA 17972 • 570-385-4733 • fax: 570-385-1318 • CustomerService@CardinalSystemsinc.com

### Bill of Materials


PART NO.	QUANTITY	DESCRIPTION
"A" FRAME	11	"A" FRAME ASSEMBLY
AS90LCNBH7XXXX0	1	18' STEEL CORNER STEP/BENCH W/LINER TRACK
CS902SA	2	90 DEG CORNER ANGLE
CS902SB	2	6" RAD CORNER FILLER "BIG VEE"
5S42200XXX0	1	2' Straight PANEL W/0 Z
5S42500XXX0	2	5' Straight PANEL W/0 Z
5S42560XXX1	1	5'-6" Straight PANEL W/1 Z
5S42800XXX2	8	8' Straight PANEL W/2 Z



18' STEEL CORNER  
STEP/BENCH  
W/LINER TRACK  
AS90LCNBH7XXXX0



VIEW ACROSS CENTERLINE OF HOPPER

<b>Date:</b> 5/10/2022	<b>Perimeter:</b> 108'-0"	 <small>cardinalpools.com</small>
<b>Drawn By:</b> JESSE H	<b>Area:</b> 648.0 SQ. FT.	
<b>Scale:</b> 1/8" = 1'-0"	<b>Notes:</b> - - - -	

This information is the confidential property of Cardinal Systems, Inc. Disclosure or duplication without proper written approval is strictly prohibited. Acceptance and use of this drawing constitutes knowledge and acceptance by the user of the terms and conditions set forth in the notice and warning which accompanied this drawing. Is Incorporated herein and made part hereof and is found on Cardinal Systems, Inc's website at [www.CardinalSystemsInc.com](http://www.CardinalSystemsInc.com)

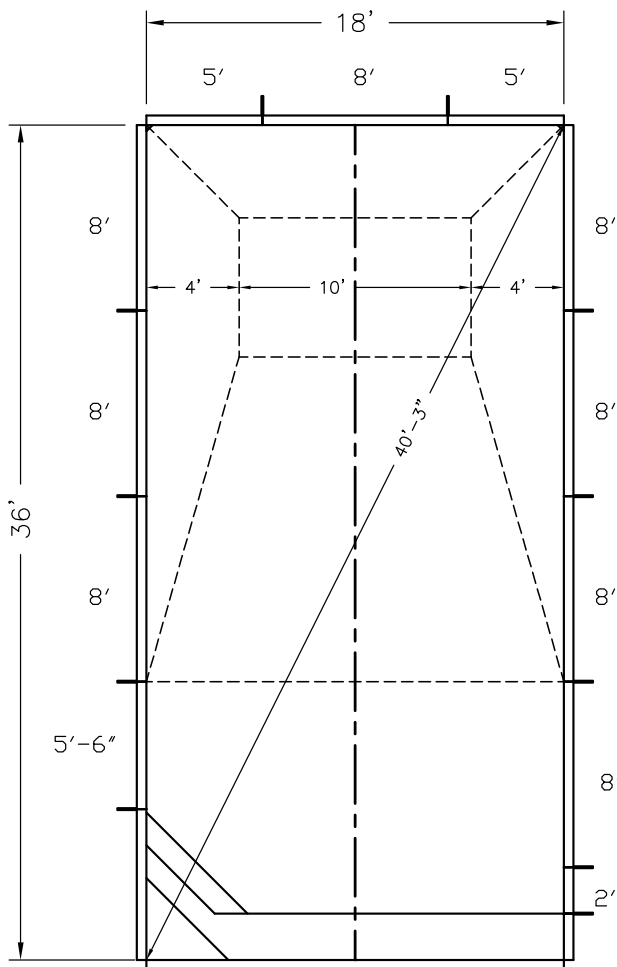


**Pool Size:** 18' X 36'  
**Pool Shape:** RECTANGLE **Approx Gal:** 23,571  
**Pool Number:** 1836RECT – 6 (STEEL STEP BENCH R)

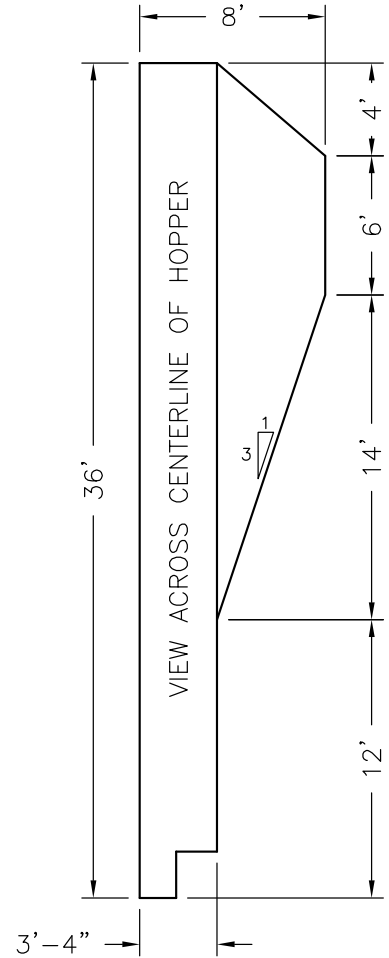
250 Route 61 South, Schuylkill Haven, PA 17972 • 570-385-4733 • fax: 570-385-1318 • CustomerService@CardinalSystemsinc.com

### Bill of Materials

PART NO.	QUANTITY	DESCRIPTION
"A" FRAME	11	"A" FRAME ASSEMBLY
AS90RCNBF0XXXX0	1	18' STEEL CORNER STEP/BENCH W/LINER TRACK
CS902SA	2	90 DEG CORNER ANGLE
CS902SB	2	6" RAD CORNER FILLER "BIG VEE"
5S42200XXX0	1	2' Straight PANEL W/0 Z
5S42500XXX0	2	5' Straight PANEL W/0 Z
5S42560XXX1	1	5'-6" Straight PANEL W/1 Z
5S42800XXX2	8	8' Straight PANEL W/2 Z



18' STEEL CORNER  
STEP/BENCH  
W/LINER TRACK  
AS90RCNBF0XXXX0



VIEW ACROSS CENTERLINE OF HOPPER

**Date:** 5/10/2022

**Perimeter:** 108'-0"

**Drawn By:** JESSE H

**Area:** 648.0 SQ. FT.

**Scale:** 1/8" = 1'-0"

**Notes:** -----



cardinalpools.com

This information is the confidential property of Cardinal Systems, Inc. Disclosure or duplication without proper written approval is strictly prohibited. Acceptance and use of this drawing constitutes knowledge and acceptance by the user of the terms and conditions set forth in the notice and warning which accompanied this drawing is incorporated herein and made part hereof and is found on Cardinal Systems, Inc's website at www.CardinalSystemsInc.com

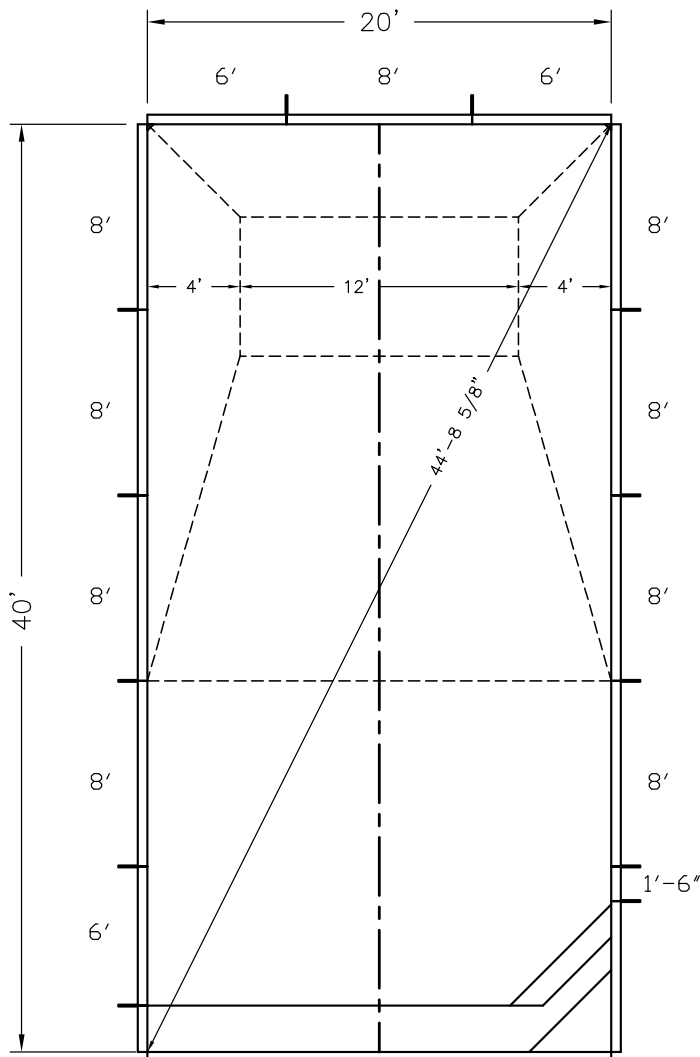


**Pool Size:** 20' X 40'  
**Pool Shape:** RECTANGLE **Approx Gal:** 29,100  
**Pool Number:** 2040RECT – 6 (STEEL STEP BENCH L)

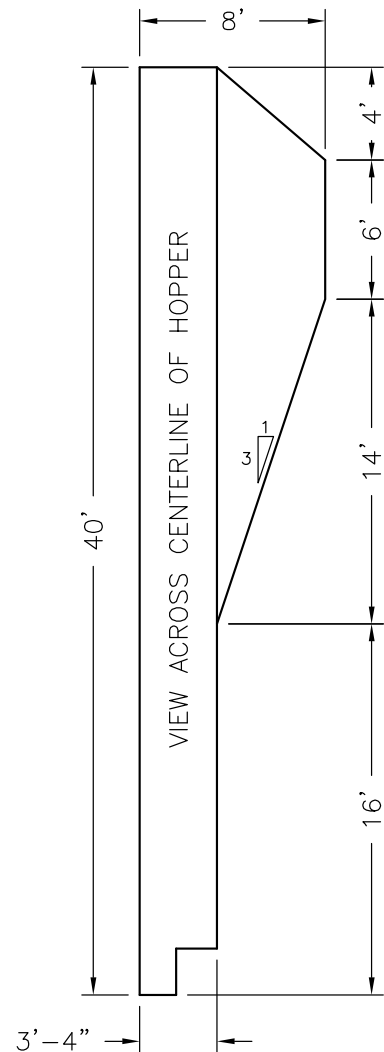
250 Route 61 South, Schuylkill Haven, PA 17972 • 570-385-4733 • fax: 570-385-1318 • CustomerService@CardinalSystemsinc.com

### Bill of Materials

PART NO.	QUANTITY	DESCRIPTION
"A" FRAME	12	"A" FRAME ASSEMBLY
AS90LCNBV0XXXX0	1	20' STEEL CORNER STEP/BENCH W/LINER TRACK
CS902SA	2	90 DEG CORNER ANGLE
CS902SB	2	6" RAD CORNER FILLER "BIG VEE"
5S42160XXX0	1	1'-6" Straight PANEL W/0 Z
5S42600XXX1	3	6' Straight PANEL W/1 Z
5S42800XXX2	9	8' Straight PANEL W/2 Z



20' STEEL CORNER  
STEP/BENCH  
W/LINER TRACK  
AS90LCNBV0XXXX0



**Date:** 5/10/2022

**Perimeter:** 120'-0"

**Drawn By:** JESSE H

**Area:** 800.0 SQ. FT.

**Scale:** 1/8" = 1'-0"

**Notes:** - - - -



cardinalpools.com

This information is the confidential property of Cardinal Systems, Inc. Disclosure or duplication without proper written approval is strictly prohibited. Acceptance and use of this drawing constitutes knowledge and acceptance by the user of the terms and conditions set forth in the notice and warning which accompanied this drawing is incorporated herein and made part hereof and is found on Cardinal Systems, Inc's website at www.CardinalSystemsInc.com

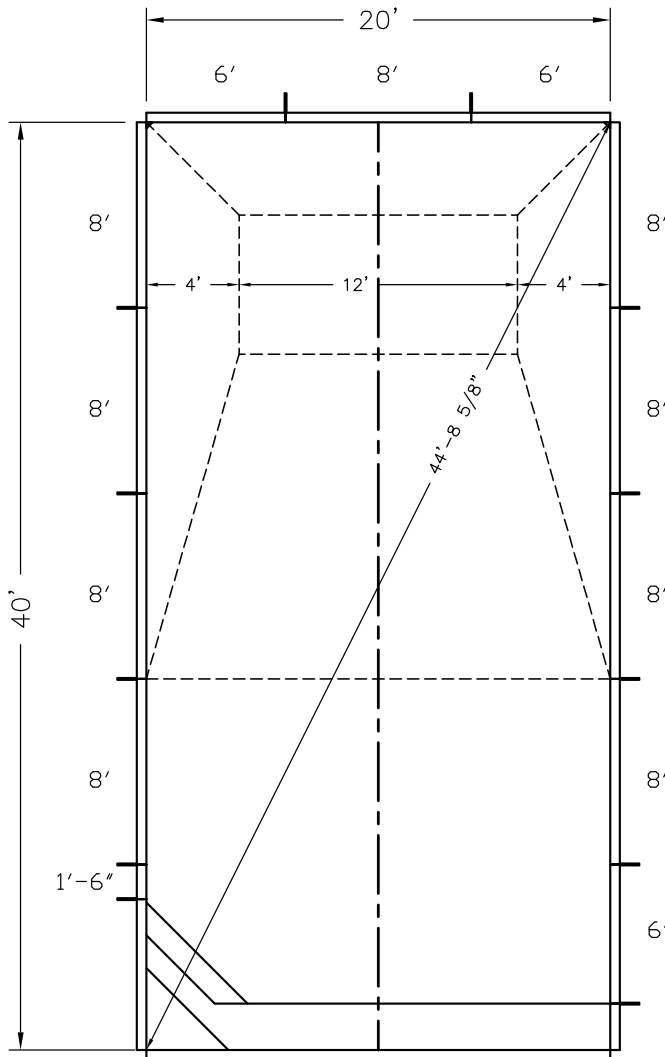


**Pool Size:** 20' X 40'  
**Pool Shape:** RECTANGLE **Approx Gal:** 29,100  
**Pool Number:** 2040RECT – 6 (STEEL STEP BENCH R)

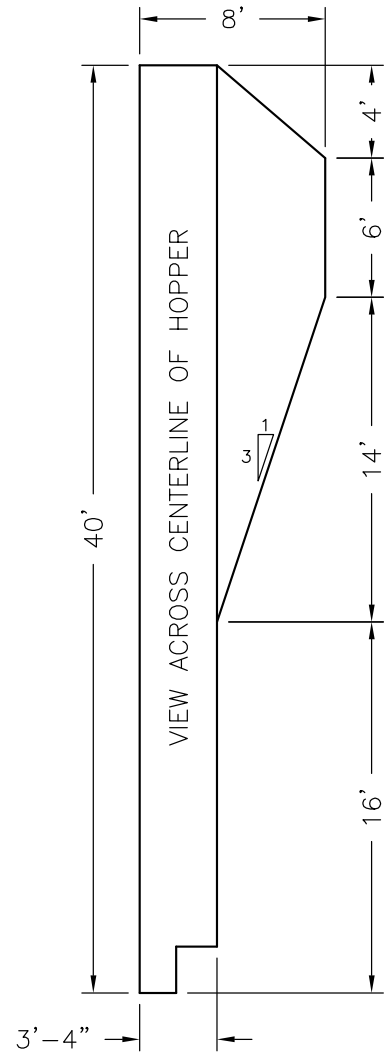
250 Route 61 South, Schuylkill Haven, PA 17972 • 570-385-4733 • fax: 570-385-1318 • CustomerService@CardinalSystemsinc.com

Bill of Materials


PART NO.	QUANTITY	DESCRIPTION
"A" FRAME	12	"A" FRAME ASSEMBLY
AS90RCNBY0XXXX0	1	20' STEEL CORNER STEP/BENCH W/LINER TRACK
CS902SA	2	90 DEG CORNER ANGLE
CS902SB	2	6" RAD CORNER FILLER "BIG VEE"
5S42160XXX0	1	1'-6" Straight PANEL W/0 Z
5S42600XXX1	3	6' Straight PANEL W/1 Z
5S42800XXX2	9	8' Straight PANEL W/2 Z



20' STEEL CORNER  
STEP/BENCH  
W/LINER TRACK  
AS90RCNBY0XXXX0



VIEW ACROSS CENTERLINE OF HOPPER

<b>Date:</b> 4/12/2021	<b>Perimeter:</b> 120'-0"	 cardinalpools.com
<b>Drawn By:</b> JESSE H	<b>Area:</b> 800.0 SQ. FT.	
<b>Scale:</b> 1/8" = 1'-0"	<b>Notes:</b> -----	

This information is the confidential property of Cardinal Systems, Inc. Disclosure or duplication without proper written approval is strictly prohibited. Acceptance and use of this drawing constitutes knowledge and acceptance by the user of the terms and conditions set forth in the notice and warning which accompanied this drawing is incorporated herein and made part hereof and is found on Cardinal Systems, Inc's website at www.CardinalSystemsInc.com

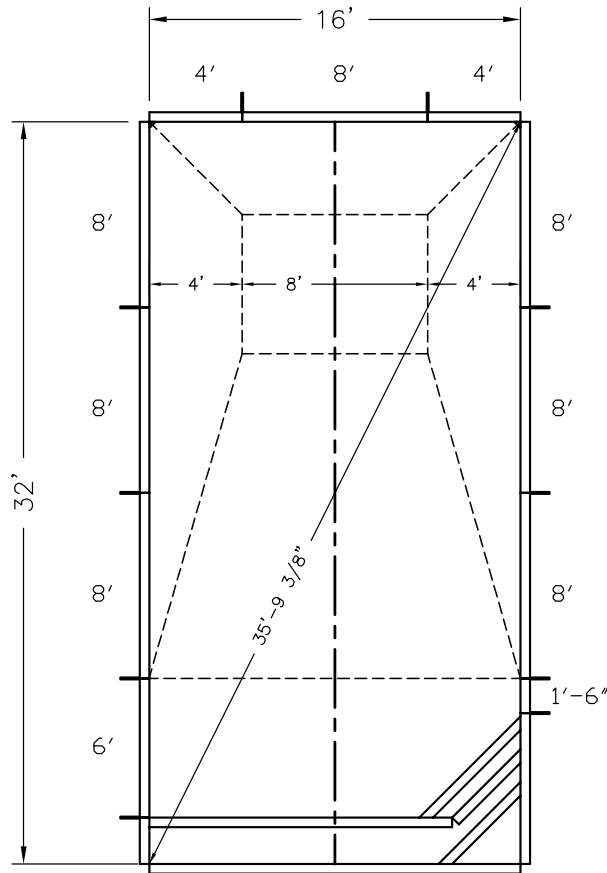


**Pool Size:** 16' X 32'  
**Pool Shape:** RECTANGLE **Approx Gal:** 18,624  
**Pool Number:** 1632RECT – 6 (POURED STEP BENCH L)

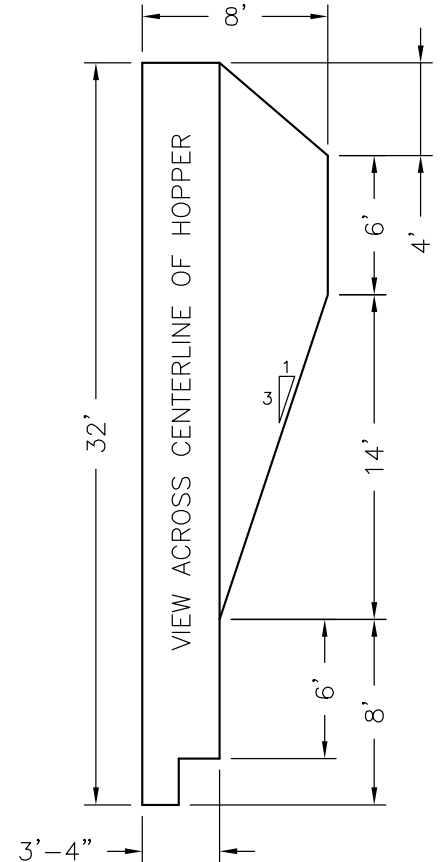
250 Route 61 South, Schuylkill Haven, PA 17972 • 570-385-4733 • fax: 570-385-1318 • CustomerService@CardinalSystemsinc.com

### Bill of Materials

PART NO.	QUANTITY	DESCRIPTION
"A" FRAME	10	"A" FRAME ASSEMBLY
AS62LCPBH0XXXX0	1	16' POURED CORNER STEP/BENCH W/LINER TRACK - SCREED EDGE
CS902SA	2	90 DEG CORNER ANGLE
CS902SB	2	6" RAD CORNER FILLER "BIG VEE"
5S42160XXX0	1	1'-6" Straight PANEL W/0 Z
5S42400XXX0	2	4' Straight PANEL W/0 Z
5S42600XXX1	1	6' Straight PANEL W/1 Z
5S42800XXX2	7	8' Straight PANEL W/2 Z



16' POURED CORNER  
 STEP/BENCH  
 W/LINER TRACK  
 SCREED EDGE  
 AS62LCPBH0XXXX0



**Date:** 5/10/2022

**Perimeter:** 96'-0"

**Drawn By:** JESSE H

**Area:** 512.0 SQ. FT.

**Scale:** 1/8" = 1'-0"

**Notes:** - - - -



cardinalpools.com

This information is the confidential property of Cardinal Systems, Inc. Disclosure or duplication without proper written approval is strictly prohibited. Acceptance and use of this drawing constitutes knowledge and acceptance by the user of the terms and conditions set forth in the notice and warning which accompanied this drawing is incorporated herein and made part hereof and is found on Cardinal Systems, Inc's website at www.CardinalSystemsInc.com

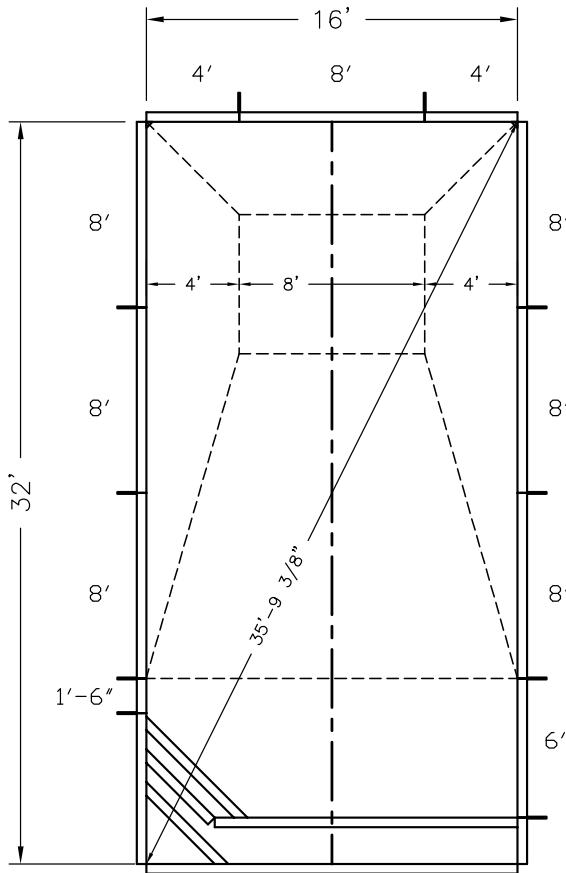


**Pool Size:** 16' X 32'  
**Pool Shape:** RECTANGLE **Approx Gal:** 18,624  
**Pool Number:** 1632RECT – 6 (POURED STEP BENCH R)

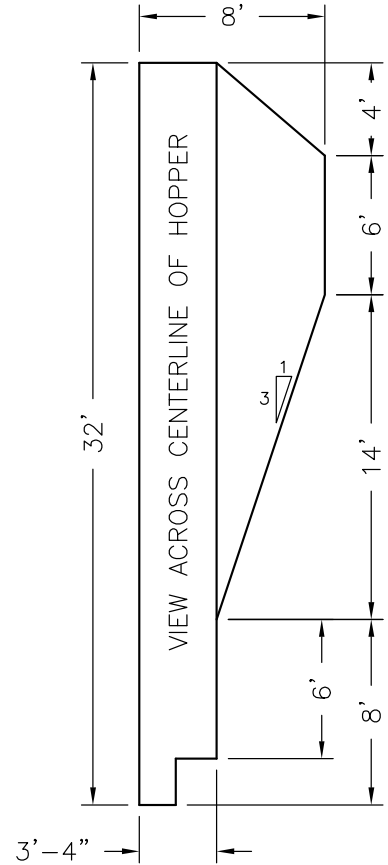
250 Route 61 South, Schuylkill Haven, PA 17972 • 570-385-4733 • fax: 570-385-1318 • CustomerService@CardinalSystemsinc.com

### Bill of Materials


PART NO.	QUANTITY	DESCRIPTION
"A" FRAME	10	"A" FRAME ASSEMBLY
AS62RCPBH0XXXX3	1	16' POURED CORNER STEP/BENCH W/LINER TRACK - SCREED EDGE
CS902SA	2	90 DEG CORNER ANGLE
CS902SB	2	6" RAD CORNER FILLER "BIG VEE"
5S42160XXX0	1	1'-6" Straight PANEL W/0 Z
5S42400XXX0	2	4' Straight PANEL W/0 Z
5S42600XXX1	1	6' Straight PANEL W/1 Z
5S42800XXX2	7	8' Straight PANEL W/2 Z



16' POURED CORNER  
STEP/BENCH  
W/LINER TRACK  
SCREED EDGE  
AS62RCPBH0XXXX3



VIEW ACROSS CENTERLINE OF HOPPER

<b>Date:</b> 5/10/2022	<b>Perimeter:</b> 96'-0"	 cardinalpools.com
<b>Drawn By:</b> JESSE H	<b>Area:</b> 512.0 SQ. FT.	
<b>Scale:</b> 1/8" = 1'-0"	<b>Notes:</b> -----	

This information is the confidential property of Cardinal Systems, Inc. Disclosure or duplication without proper written approval is strictly prohibited. Acceptance and use of this drawing constitutes knowledge and acceptance by the user of the terms and conditions set forth in the notice and warning which accompanied this drawing is incorporated herein and made part hereof and is found on Cardinal Systems, Inc's website at www.CardinalSystemsInc.com

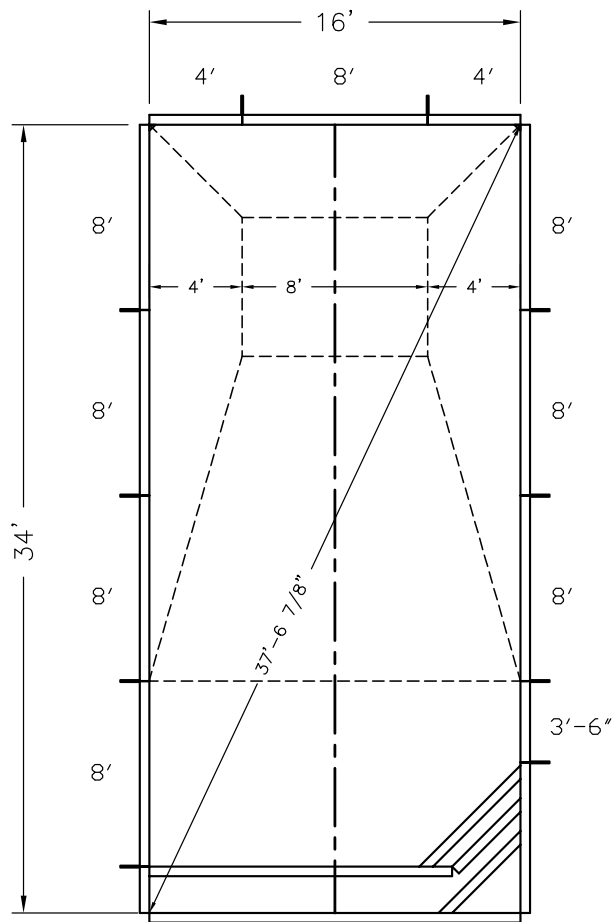


**Pool Size:** 16' X 34'  
**Pool Shape:** RECTANGLE **Approx Gal:** 19,788  
**Pool Number:** 1634RECT – 6 (POURED STEP BENCH L)

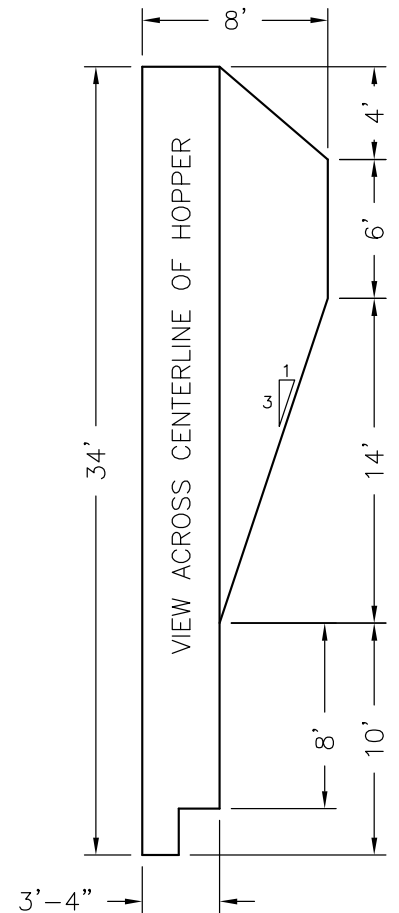
250 Route 61 South, Schuylkill Haven, PA 17972 • 570-385-4733 • fax: 570-385-1318 • CustomerService@CardinalSystemsinc.com

### Bill of Materials

PART NO.	QUANTITY	DESCRIPTION
"A" FRAME	10	"A" FRAME ASSEMBLY
AS62LCPBH0XXXX0	1	16' POURED CORNER STEP/BENCH W/LINER TRACK - SCREED EDGE
CS902SA	2	90 DEG CORNER ANGLE
CS902SB	2	6" RAD CORNER FILLER "BIG VEE"
5S42360XXX0	1	3'-6" Straight PANEL W/0 Z
5S42400XXX0	2	4' Straight PANEL W/0 Z
5S42800XXX2	8	8' Straight PANEL W/2 Z



16' POURED CORNER  
 STEP/BENCH  
 W/LINER TRACK  
 SCREED EDGE  
 AS62LCPBH0XXXX0



**Date:** 5/10/2022

**Perimeter:** 100'-0"

**Drawn By:** JESSE H

**Area:** 544.0 SQ. FT.

**Scale:** 1/8" = 1'-0"

**Notes:** - - - -



cardinalpools.com

This information is the confidential property of Cardinal Systems, Inc. Disclosure or duplication without proper written approval is strictly prohibited. Acceptance and use of this drawing constitutes knowledge and acceptance by the user of the terms and conditions set forth in the notice and warning which accompanied this drawing is incorporated herein and made part hereof and is found on Cardinal Systems, Inc's website at www.CardinalSystemsInc.com



**Pool Size:** 16' X 34'

**Pool Shape:** RECTANGLE

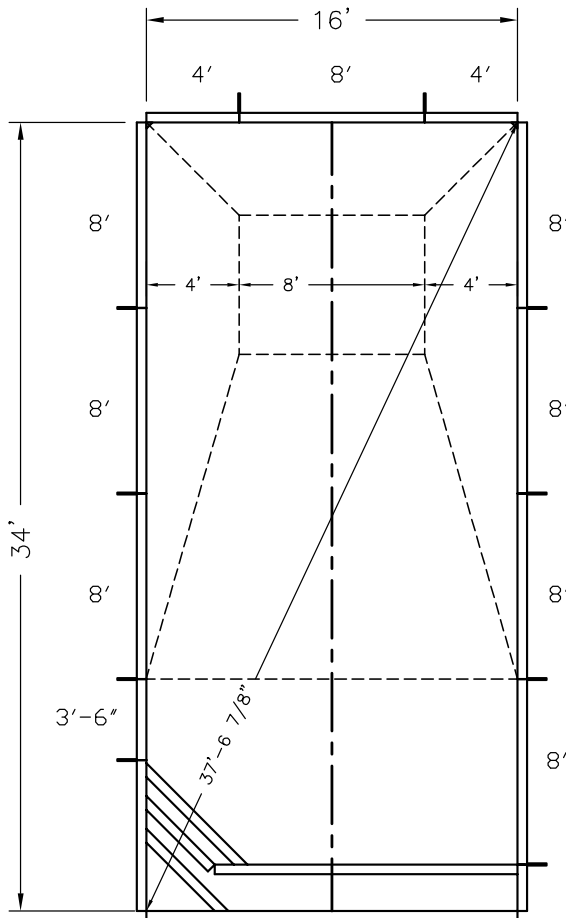
**Approx Gal:** 19,788

**Pool Number:** 1634RECT – 6 (POURED STEP BENCH R)

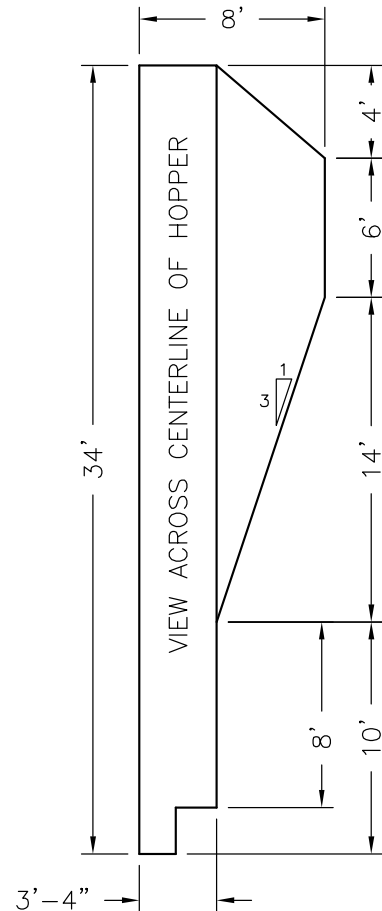
250 Route 61 South, Schuylkill Haven, PA 17972 • 570-385-4733 • fax: 570-385-1318 • CustomerService@CardinalSystemsinc.com

Bill of Materials

PART NO.	QUANTITY	DESCRIPTION
"A" FRAME	10	"A" FRAME ASSEMBLY
AS8ERCNBH0XXXX0	1	16' STEEL CORNER STEP/BENCH W/LINER TRACK
CS902SA	2	90 DEG CORNER ANGLE
CS902SB	2	6" RAD CORNER FILLER "BIG VEE"
5S42360XXX0	1	3'-6" Straight PANEL W/0 Z
5S42400XXX0	2	4' Straight PANEL W/0 Z
5S42800XXX2	8	8' Straight PANEL W/2 Z



16' POURED CORNER  
STEP/BENCH  
W/LINER TRACK  
SCREED EDGE  
AS62RCPBH0XXXX3



**Date:** 5/10/2022

**Perimeter:** 100'-0"

**Drawn By:** JESSE H

**Area:** 544.0 SQ. FT.

**Scale:** 1/8" = 1'-0"

**Notes:** -----



cardinalpools.com

This information is the confidential property of Cardinal Systems, Inc. Disclosure or duplication without proper written approval is strictly prohibited. Acceptance and use of this drawing constitutes knowledge and acceptance by the user of the terms and conditions set forth in the notice and warning which accompanied this drawing is incorporated herein and made part hereof and is found on Cardinal Systems, Inc's website at www.CardinalSystemsInc.com



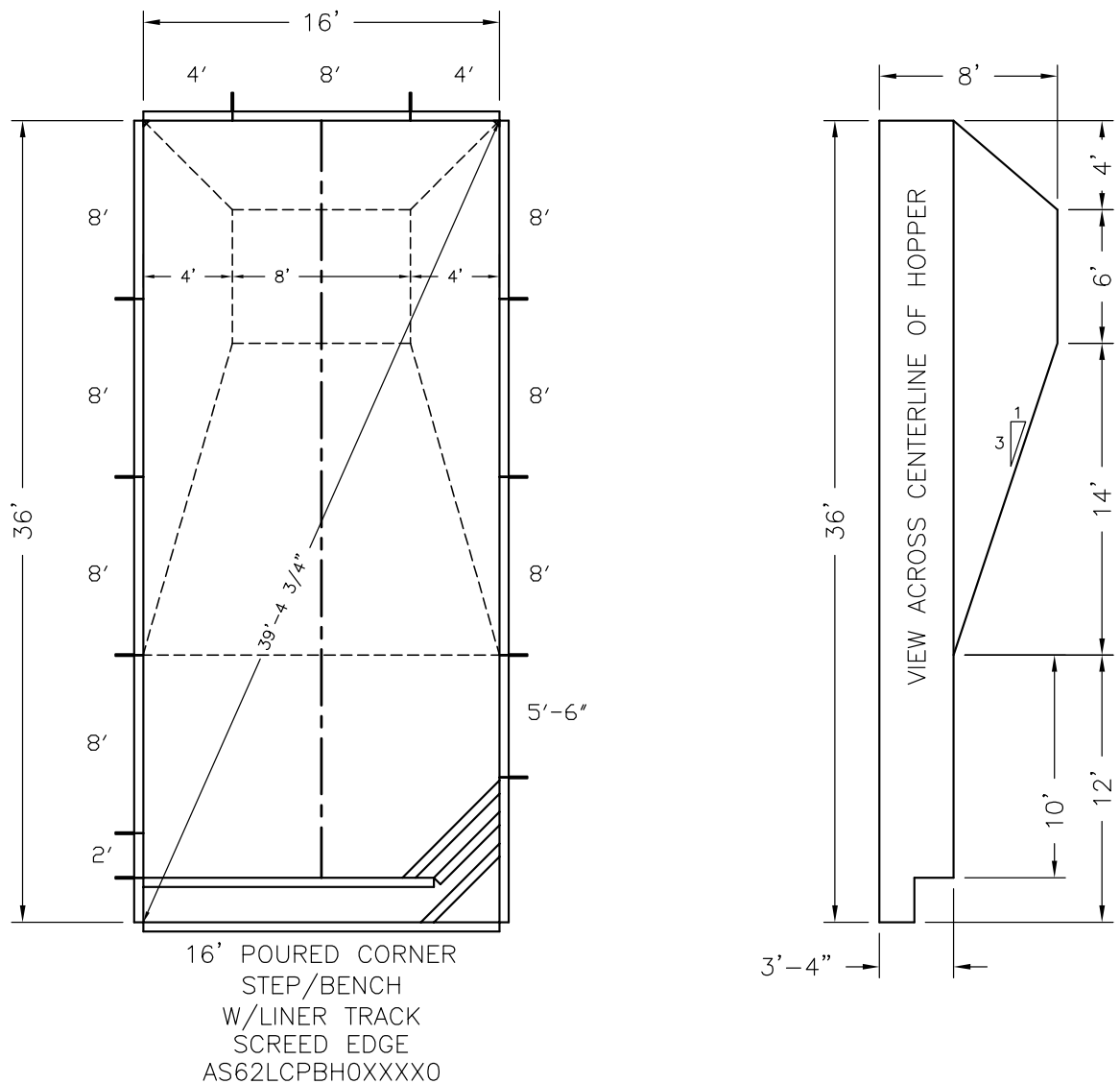



**Pool Size:** 16' X 36'  
**Pool Shape:** RECTANGLE **Approx Gal:** 20,952  
**Pool Number:** 1636RECT – 6 (POURED STEP BENCH L)

250 Route 61 South, Schuylkill Haven, PA 17972 • 570-385-4733 • fax: 570-385-1318 • CustomerService@CardinalSystemsinc.com

### Bill of Materials

PART NO.	QUANTITY	DESCRIPTION
"A" FRAME	11	"A" FRAME ASSEMBLY
AS62LCPBH0XXXX0	1	16' POURED CORNER STEP/BENCH W/LINER TRACK - SCREED EDGE
CS902SA	2	90 DEG CORNER ANGLE
CS902SB	2	6" RAD CORNER FILLER "BIG VEE"
5S42200XXX0	1	2' Straight PANEL W/0 Z
5S42400XXX0	2	4' Straight PANEL W/0 Z
5S42560XXX1	1	5'-6" Straight PANEL W/1 Z
5S42800XXX2	8	8' Straight PANEL W/2 Z



<b>Date:</b> 5/10/2022	<b>Perimeter:</b> 104'-0"	 cardinalpools.com
<b>Drawn By:</b> JESSE H	<b>Area:</b> 576.0 SQ. FT.	
<b>Scale:</b> 1/8" = 1'-0"	<b>Notes:</b> - - - -	

This information is the confidential property of Cardinal Systems, Inc. Disclosure or duplication without proper written approval is strictly prohibited. Acceptance and use of this drawing constitutes knowledge and acceptance by the user of the terms and conditions set forth in the notice and warning which accompanied this drawing is incorporated herein and made part hereof and is found on Cardinal Systems, Inc's website at www.CardinalSystemsInc.com



**Pool Size:** 16' X 36'

**Pool Shape:** RECTANGLE

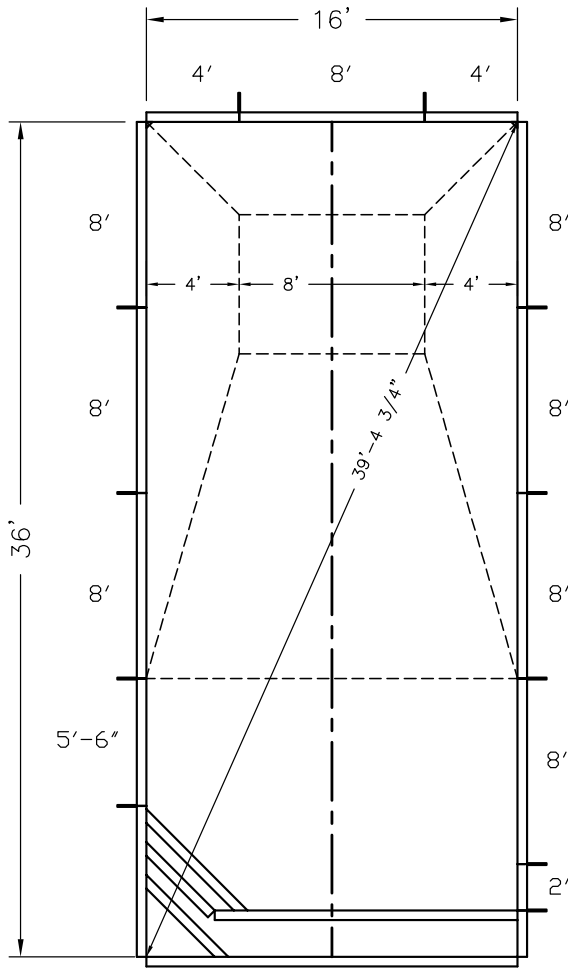
**Approx Gal:** 20,952

**Pool Number:** 1636RECT – 6 (POURED STEP BENCH R)

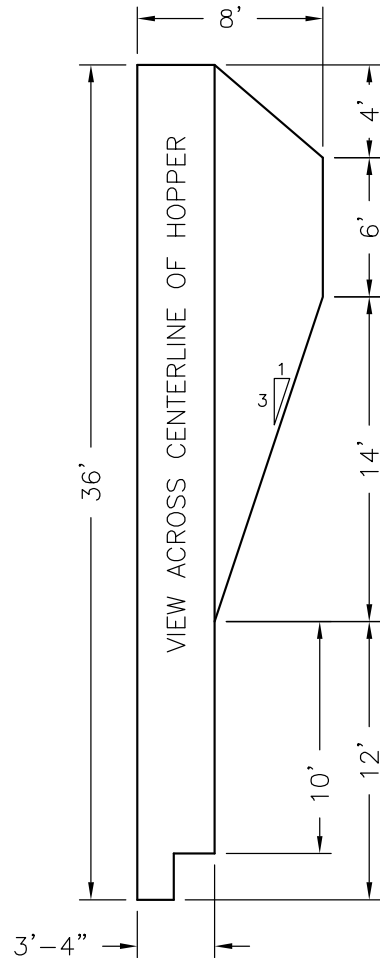
250 Route 61 South, Schuylkill Haven, PA 17972 • 570-385-4733 • fax: 570-385-1318 • CustomerService@CardinalSystemsinc.com

Bill of Materials


PART NO.	QUANTITY	DESCRIPTION
"A" FRAME	11	"A" FRAME ASSEMBLY
AS62RCPBH0XXXX3	1	16' POURED CORNER STEP/BENCH W/LINER TRACK - SCREED EDGE
CS902SA	2	90 DEG CORNER ANGLE
CS902SB	2	6" RAD CORNER FILLER "BIG VEE"
5S42200XXX0	1	2' Straight PANEL W/0 Z
5S42400XXX0	2	4' Straight PANEL W/0 Z
5S42560XXX1	1	5'-6" Straight PANEL W/1 Z
5S42800XXX2	8	8' Straight PANEL W/2 Z



16' POURED CORNER  
STEP/BENCH  
W/LINER TRACK  
SCREED EDGE  
AS62RCPBH0XXXX3



VIEW ACROSS CENTERLINE OF HOPPER

<b>Date:</b> 5/10/2022	<b>Perimeter:</b> 104'-0"	 <small>cardinalpools.com</small>
<b>Drawn By:</b> JESSE H	<b>Area:</b> 576.0 SQ. FT.	
<b>Scale:</b> 1/8" = 1'-0"	<b>Notes:</b> -----	

This information is the confidential property of Cardinal Systems, Inc. Disclosure or duplication without proper written approval is strictly prohibited. Acceptance and use of this drawing constitutes knowledge and acceptance by the user of the terms and conditions set forth in the notice and warning which accompanied this drawing is incorporated herein and made part hereof and is found on Cardinal Systems, Inc's website at www.CardinalSystemsInc.com

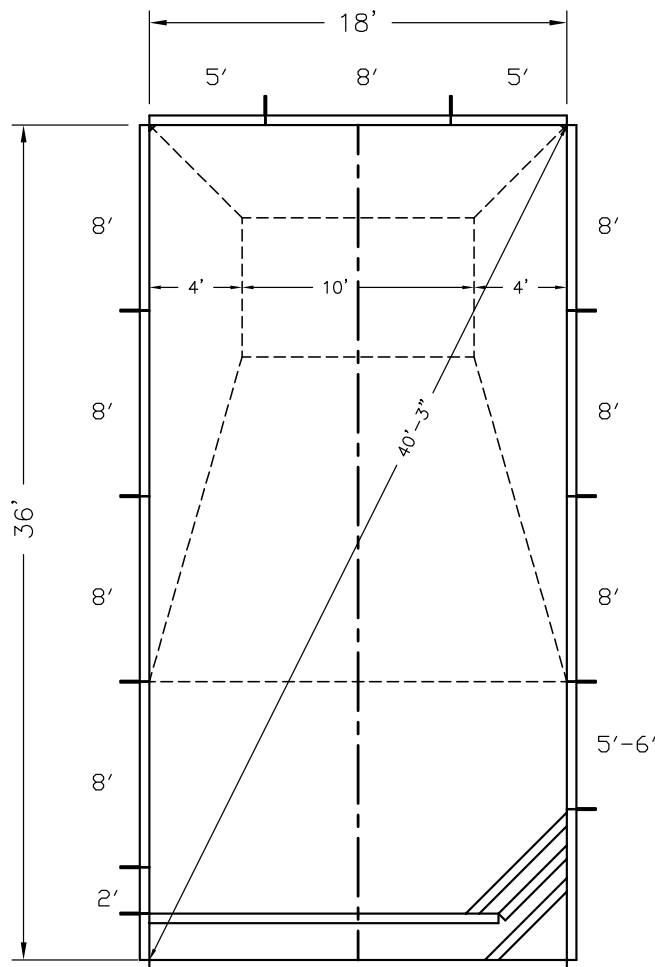


**Pool Size:** 18' X 36'  
**Pool Shape:** RECTANGLE **Approx Gal:** 23,571  
**Pool Number:** 1836RECT – 6 (POURED STEP BENCH L)

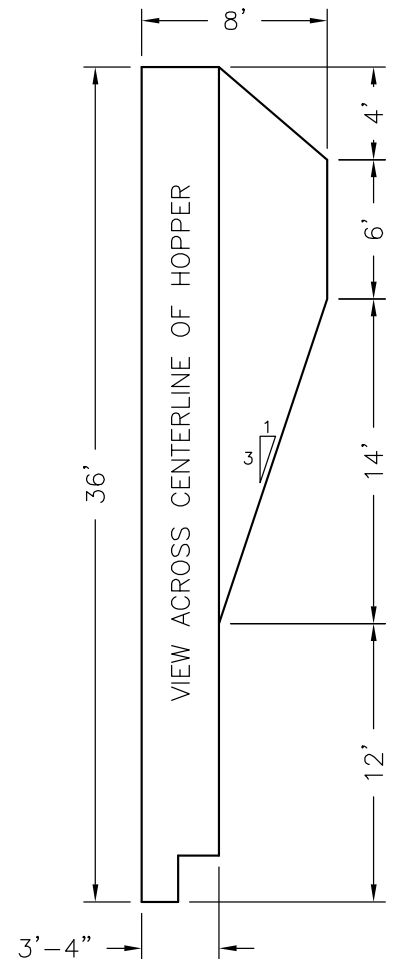
250 Route 61 South, Schuylkill Haven, PA 17972 • 570-385-4733 • fax: 570-385-1318 • CustomerService@CardinalSystemsinc.com

### Bill of Materials

PART NO.	QUANTITY	DESCRIPTION
"A" FRAME	11	"A" FRAME ASSEMBLY
AS62LCPBF0XXXX1	1	18' POURED CORNER STEP/BENCH W/LINER TRACK - SCREED EDGE
CS902SA	2	90 DEG CORNER ANGLE
CS902SB	2	6" RAD CORNER FILLER "BIG VEE"
5S42200XXX0	1	2' Straight PANEL W/0 Z
5S42500XXX0	2	5' Straight PANEL W/0 Z
5S42560XXX1	1	5'-6" Straight PANEL W/1 Z
5S42800XXX2	8	8' Straight PANEL W/2 Z



18' POURED CORNER  
STEP/BENCH  
W/LINER TRACK  
SCREED EDGE  
AS62LCPBF0XXXX1



**Date:** 5/10/2022

**Perimeter:** 108'-0"

**Drawn By:** JESSE H

**Area:** 648.0 SQ. FT.

**Scale:** 1/8" = 1'-0"

**Notes:** - - - -



cardinalpools.com

This information is the confidential property of Cardinal Systems, Inc. Disclosure or duplication without proper written approval is strictly prohibited. Acceptance and use of this drawing constitutes knowledge and acceptance by the user of the terms and conditions set forth in the notice and warning which accompanied this drawing is incorporated herein and made part hereof and is found on Cardinal Systems, Inc's website at www.CardinalSystemsInc.com



**Pool Size:** 18' X 36'

**Pool Shape:** RECTANGLE

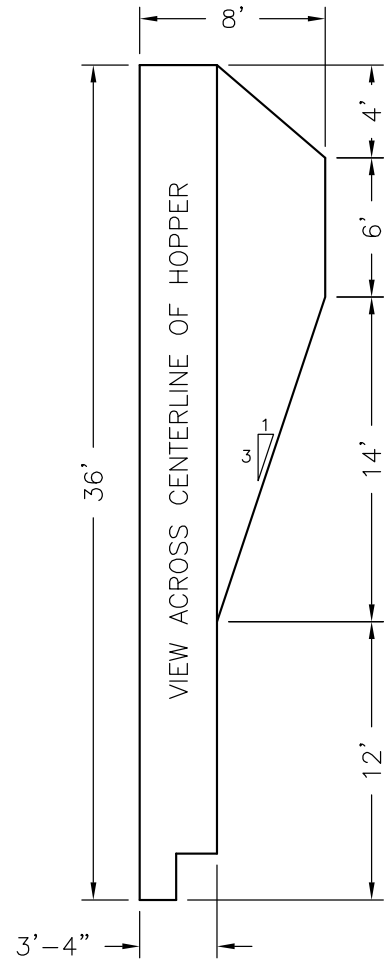
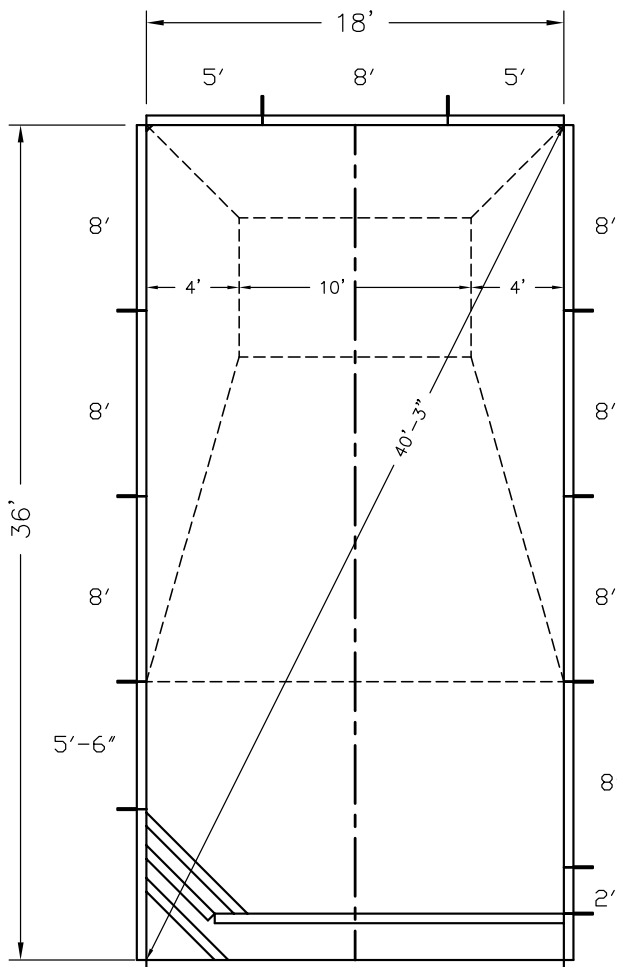
**Pool Number:** 1836RECT – 6 (POURED STEP BENCH R)

**Approx Gal:** 23,571

250 Route 61 South, Schuylkill Haven, PA 17972 • 570-385-4733 • fax: 570-385-1318 • CustomerService@CardinalSystemsInc.com

Bill of Materials

PART NO.	QUANTITY	DESCRIPTION
"A" FRAME	11	"A" FRAME ASSEMBLY
AS62RCPBF0XXXX1	1	18' POURED CORNER STEP/BENCH W/LINER TRACK - SCREED EDGE
CS902SA	2	90 DEG CORNER ANGLE
CS902SB	2	6" RAD CORNER FILLER "BIG VEE"
5S42200XXX0	1	2' Straight PANEL W/0 Z
5S42500XXX0	2	5' Straight PANEL W/0 Z
5S42560XXX1	1	5'-6" Straight PANEL W/1 Z
5S42800XXX2	8	8' Straight PANEL W/2 Z



18' POURED CORNER  
STEP/BENCH  
W/LINER TRACK  
SCREED EDGE  
AS62RCPBF0XXXX1

**Date:** 5/10/2022

**Perimeter:** 108'-0"

**Drawn By:** JESSE H

**Area:** 648.0 SQ. FT.

**Scale:** 1/8" = 1'-0"

**Notes:** -----



cardinalpools.com

This information is the confidential property of Cardinal Systems, Inc. Disclosure or duplication without proper written approval is strictly prohibited. Acceptance and use of this drawing constitutes knowledge and acceptance by the user of the terms and conditions set forth in the notice and warning which accompanied this drawing is incorporated herein and made part hereof and is found on Cardinal Systems, Inc's website at www.CardinalSystemsInc.com

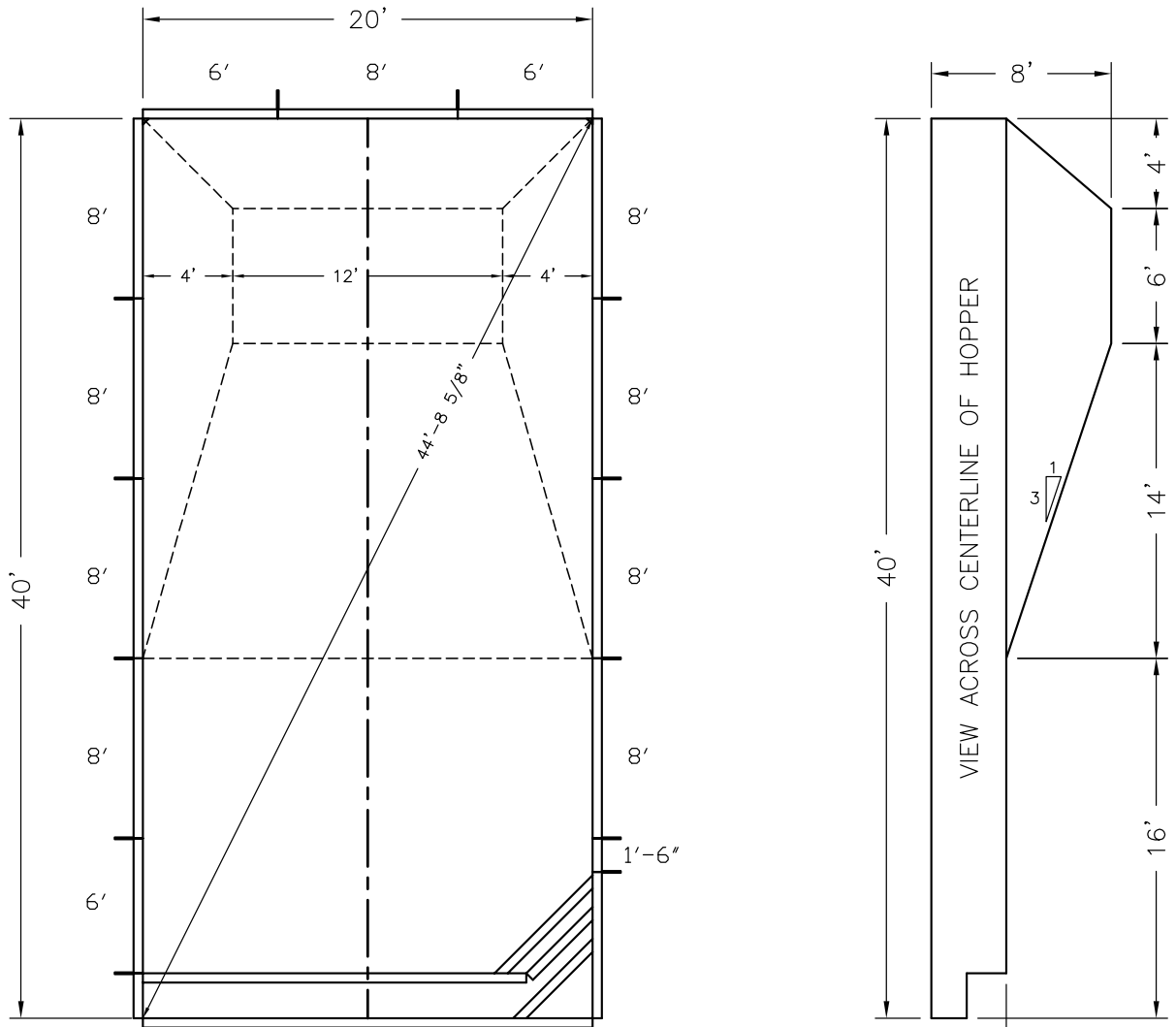


**Pool Size:** 20' X 40'  
**Pool Shape:** RECTANGLE  
**Pool Number:** 2040RECT – 6 (POURED STEP BENCH L)  
**Approx Gal:** 29,100

250 Route 61 South, Schuylkill Haven, PA 17972 • 570-385-4733 • fax: 570-385-1318 • CustomerService@CardinalSystemsinc.com

### Bill of Materials

PART NO.	QUANTITY	DESCRIPTION
"A" FRAME	12	"A" FRAME ASSEMBLY
AS62LCPBV0XXXX0	1	20' POURED CORNER STEP/BENCH W/LINER TRACK - SCREED EDGE
CS902SA	2	90 DEG CORNER ANGLE
CS902SB	2	6" RAD CORNER FILLER "BIG VEE"
5S42160XXX0	1	1'-6" Straight PANEL W/0 Z
5S42600XXX1	3	6' Straight PANEL W/1 Z
5S42800XXX2	9	8' Straight PANEL W/2 Z



20' POURED CORNER  
 STEP/BENCH  
 W/LINER TRACK  
 SCREED EDGE  
 AS62LCPBV0XXXX0

**Date:** 5/10/2022

**Drawn By:** JESSE H

**Scale:** 1/8" = 1'-0"

**Perimeter:** 120'-0"

**Area:** 800.0 SQ. FT.

**Notes:** - - - -



cardinalpools.com

This information is the confidential property of Cardinal Systems, Inc. Disclosure or duplication without proper written approval is strictly prohibited. Acceptance and use of this drawing constitutes knowledge and acceptance by the user of the terms and conditions set forth in the notice and warning which accompanied this drawing is incorporated herein and made part hereof and is found on Cardinal Systems, Inc's website at www.CardinalSystemsInc.com



**Pool Size:** 20' X 40'

**Pool Shape:** RECTANGLE

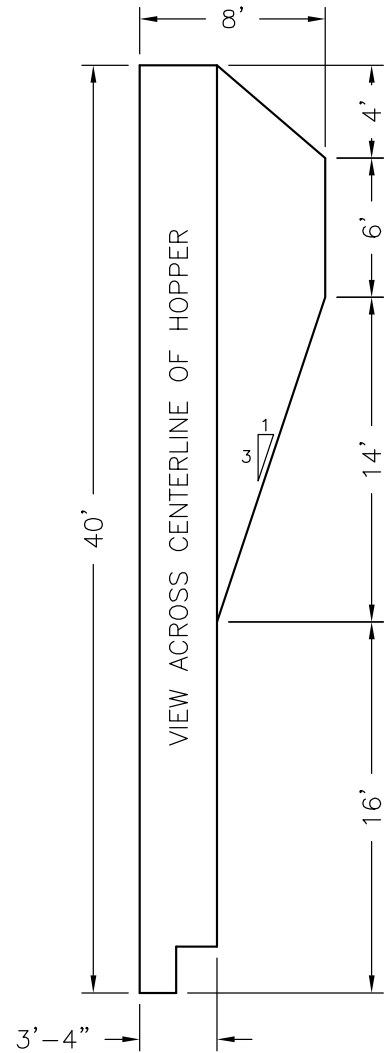
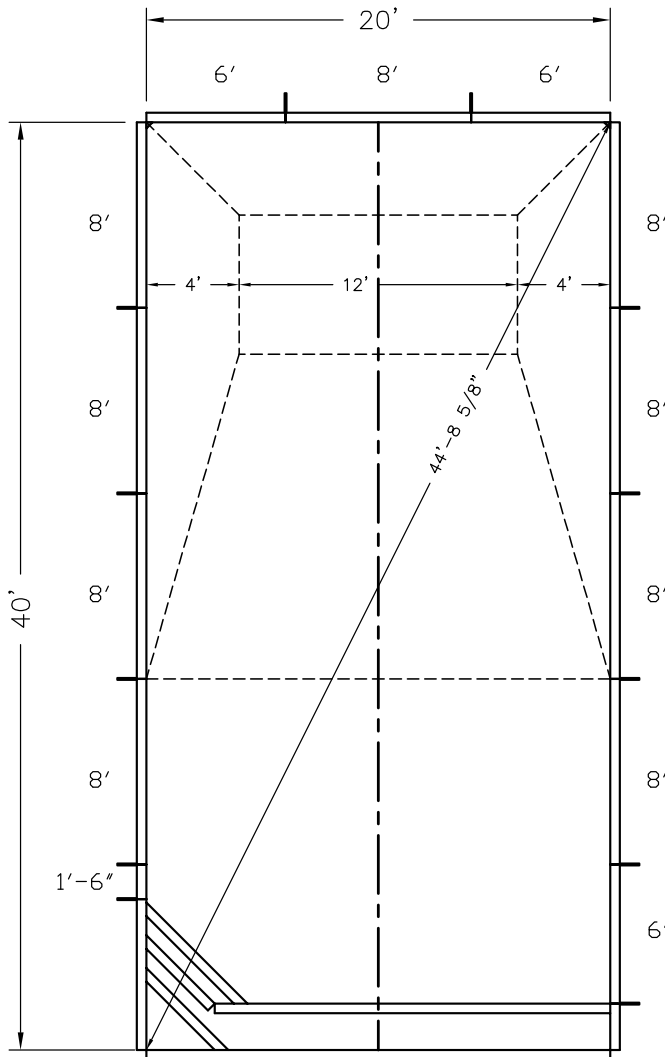
**Approx Gal:** 29,100

**Pool Number:** 2040RECT – 6 (POURED STEP BENCH R)

250 Route 61 South, Schuylkill Haven, PA 17972 • 570-385-4733 • fax: 570-385-1318 • CustomerService@CardinalSystemsInc.com

Bill of Materials

PART NO.	QUANTITY	DESCRIPTION
"A" FRAME	12	"A" FRAME ASSEMBLY
AS90RCNBY0XXXX0	1	20' STEEL CORNER STEP/BENCH W/LINER TRACK
CS902SA	2	90 DEG CORNER ANGLE
CS902SB	2	6" RAD CORNER FILLER "BIG VEE"
5S42160XXX0	1	1'-6" Straight PANEL W/0 Z
5S42600XXX1	3	6' Straight PANEL W/1 Z
5S42800XXX2	9	8' Straight PANEL W/2 Z



20' POURED CORNER  
STEP/BENCH  
W/LINER TRACK  
SCREED EDGE  
AS62RCPBVOXXXX1

<b>Date:</b> 5/10/2022	<b>Perimeter:</b> 120'-0"	
<b>Drawn By:</b> JESSE H	<b>Area:</b> 800.0 SQ. FT.	
<b>Scale:</b> 1/8" = 1'-0"	<b>Notes:</b> -----	

This information is the confidential property of Cardinal Systems, Inc. Disclosure or duplication without proper written approval is strictly prohibited. Acceptance and use of this drawing constitutes knowledge and acceptance by the user of the terms and conditions set forth in the notice and warning which accompanied this drawing is incorporated herein and made part hereof and is found on Cardinal Systems, Inc's website at www.CardinalSystemsInc.com

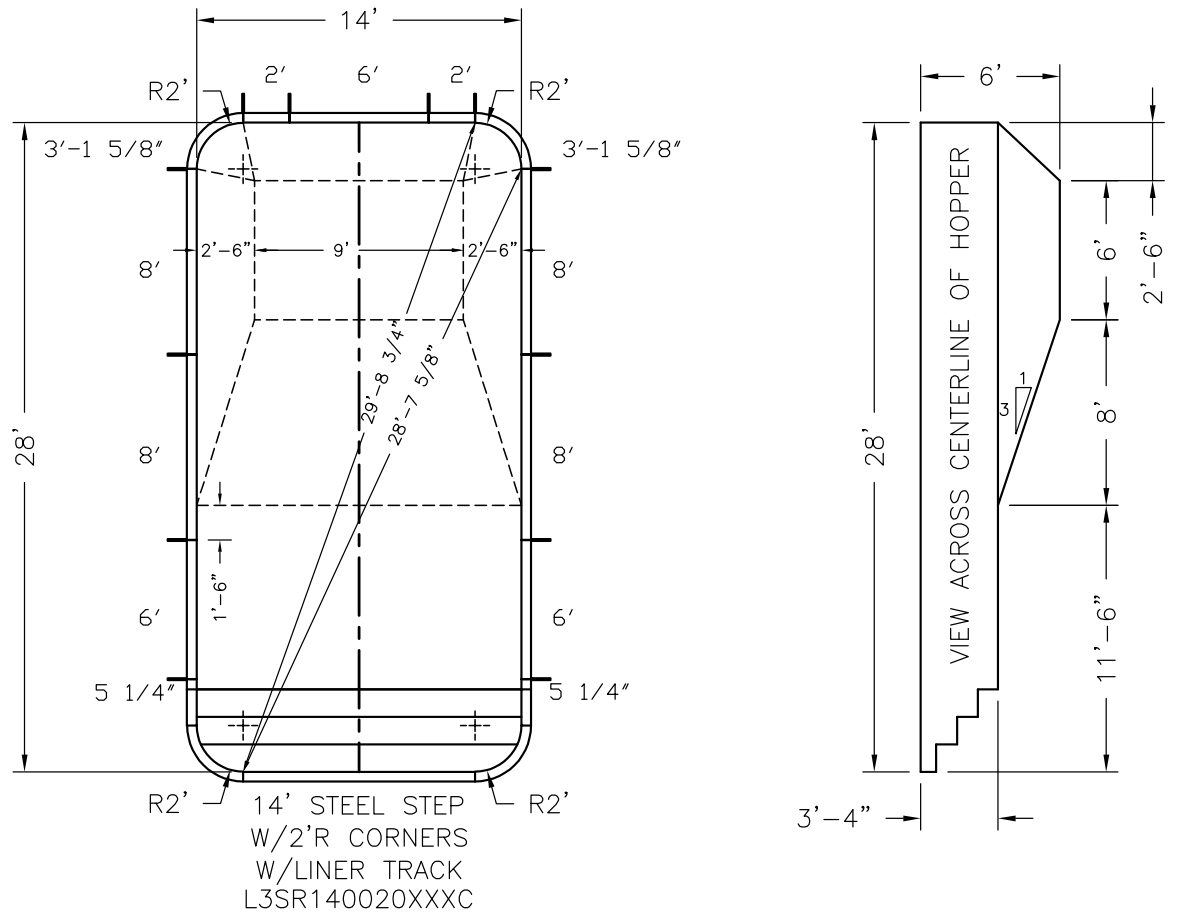


**Pool Size:** 14' X 28'  
**Pool Shape:** RECTANGLE  
**Approx Gal:** 12,387  
**Pool Number:** 1428RECT – 2R (STEEL L3)


250 Route 61 South, Schuylkill Haven, PA 17972 • 570-385-4733 • fax: 570-385-1318 • CustomerService@CardinalSystemsinc.com

Bill of Materials

PART NO.	QUANTITY	DESCRIPTION
"A" FRAME	12	"A" FRAME ASSEMBLY
5C42315XX02000	2	2' RADIUS CORNER
L3SR140020XXXC	1	14' STEEL STEP W/2' RADIUS CORNERS W/LINER TRACK
5S42052XXX0	2	5 1/4" Straight PANEL W/0 Z
5S42200XXX0	2	2' Straight PANEL W/0 Z
5S42600XXX1	3	6' Straight PANEL W/1 Z
5S42800XXX2	4	8' Straight PANEL W/2 Z



NOTE: THIS IS A NON DIVING POOL.

<b>Date:</b> 5/10/2022	<b>Perimeter:</b> 80'-6 3/4"	 cardinalpools.com
<b>Drawn By:</b> JESSE H	<b>Area:</b> 388.6 SQ. FT.	
<b>Scale:</b> 1/8" = 1'-0"	<b>Notes:</b> - - - -	

This information is the confidential property of Cardinal Systems, Inc. Disclosure or duplication without proper written approval is strictly prohibited. Acceptance and use of this drawing constitutes knowledge and acceptance by the user of the terms and conditions set forth in the notice and warning which accompanied this drawing is incorporated herein and made part hereof and is found on Cardinal Systems, Inc's website at www.CardinalSystemsInc.com

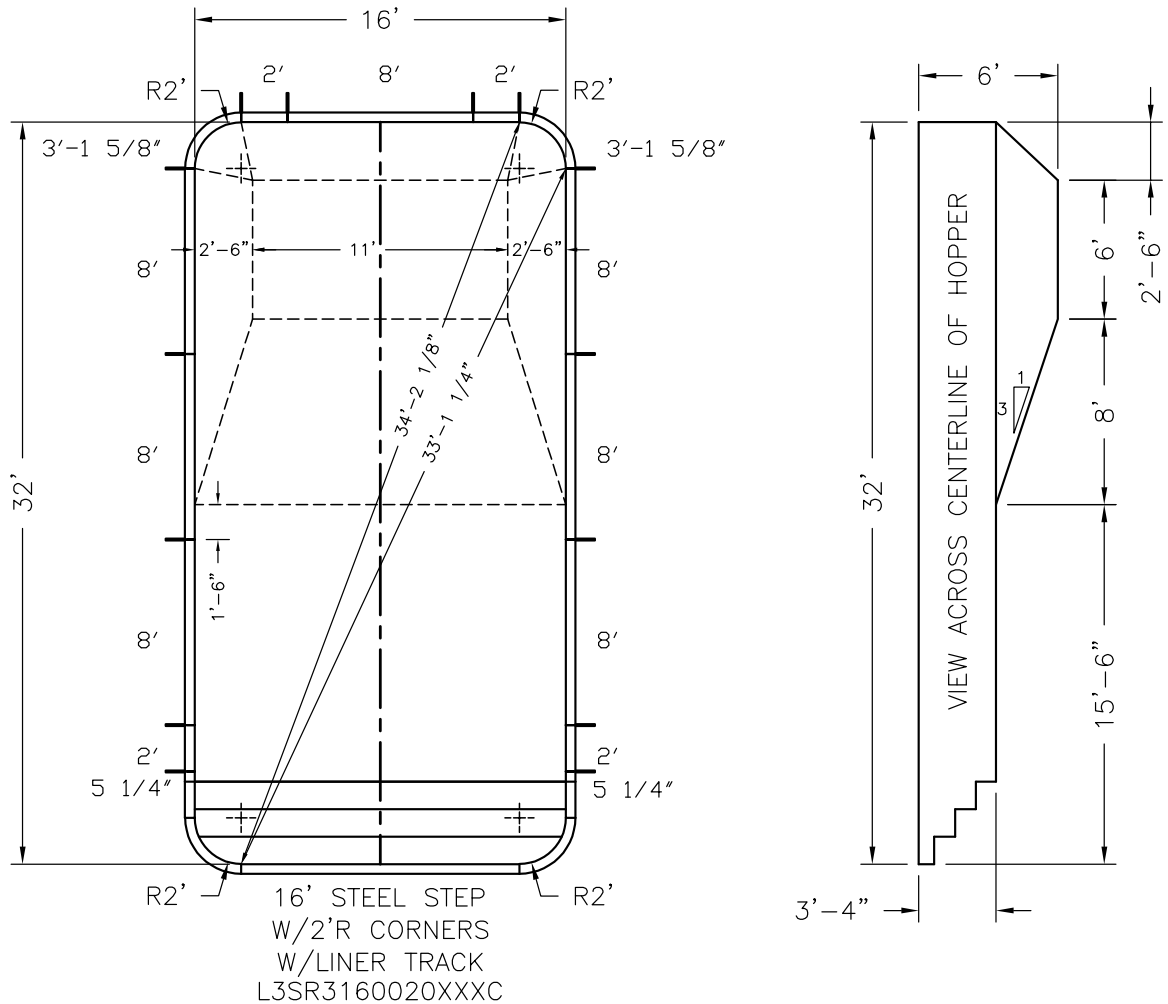


**Pool Size:** 16' X 32'  
**Pool Shape:** RECTANGLE  
**Approx Gal:** 16,212  
**Pool Number:** 1632RECT - 2R (STEEL L3)


250 Route 61 South, Schuylkill Haven, PA 17972 • 570-385-4733 • fax: 570-385-1318 • CustomerService@CardinalSystemsInc.com

Bill of Materials

PART NO.	QUANTITY	DESCRIPTION
"A" FRAME	14	"A" FRAME ASSEMBLY
5C42315XX02000	2	2' RADIUS CORNER
L3SR3160020XXXX	1	16' STEEL STEP W/2' RADIUS CORNERS W/LINER TRACK
5S42052XXX0	2	5 1/4" Straight PANEL W/O Z
5S42200XXX0	4	2' Straight PANEL W/O Z
5S42800XXX2	7	8' Straight PANEL W/2 Z



NOTE: THIS IS A NON DIVING POOL.

<b>Date:</b> 5/10/2022	<b>Perimeter:</b> 92'-6 3/4"	 cardinalpools.com
<b>Drawn By:</b> JESSE H	<b>Area:</b> 508.6 SQ. FT.	
<b>Scale:</b> 1/8" = 1'-0"	<b>Notes:</b> - - - -	

This information is the confidential property of Cardinal Systems, Inc. Disclosure or duplication without proper written approval is strictly prohibited. Acceptance and use of this drawing constitutes knowledge and acceptance by the user of the terms and conditions set forth in the notice and warning which accompanied this drawing is incorporated herein and made part hereof and is found on Cardinal Systems, Inc's website at www.CardinalSystemsInc.com



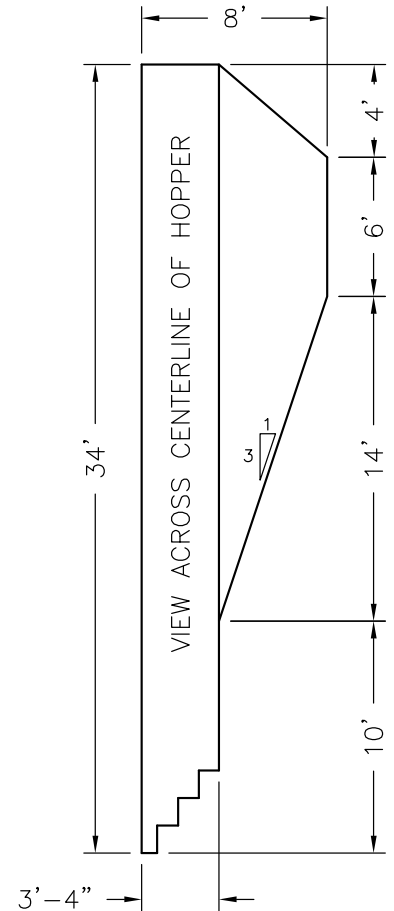
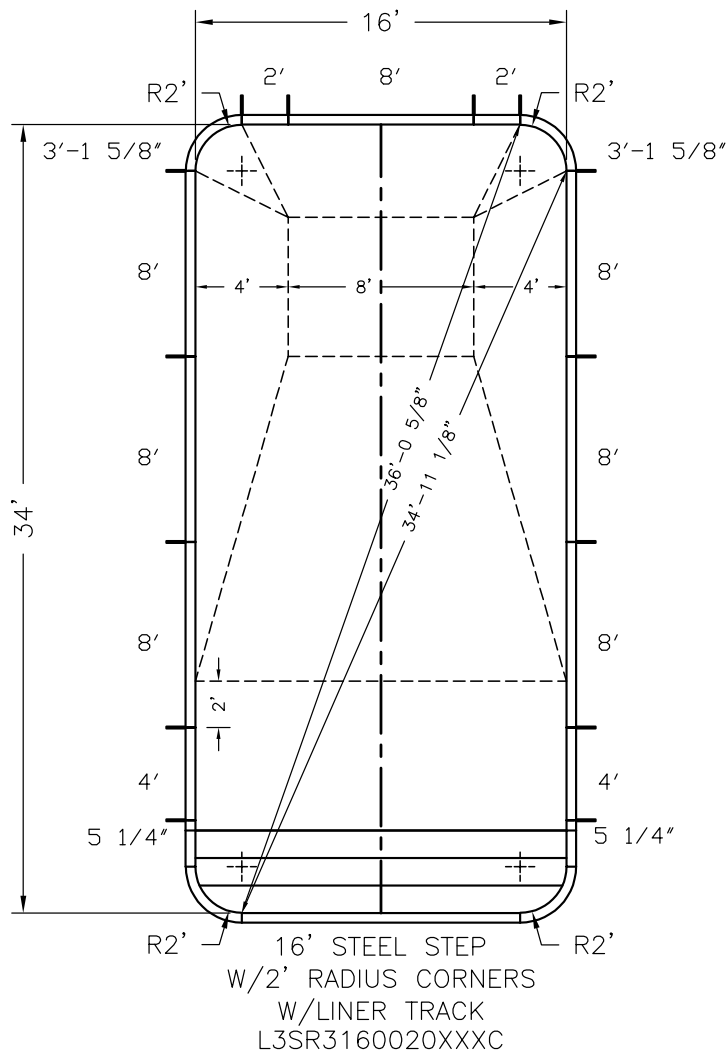


**Pool Size:** 16' X 34'  
**Pool Shape:** RECTANGLE  
**Approx Gal:** 19,665  
**Pool Number:** 1634RECT – 2R (STEEL L3)

250 Route 61 South, Schuylkill Haven, PA 17972 • 570-385-4733 • fax: 570-385-1318 • CustomerService@CardinalSystemsInc.com

### Bill of Materials

PART NO.	QUANTITY	DESCRIPTION
"A" FRAME	14	"A" FRAME ASSEMBLY
5C42315XX02000	2	2' RADIUS CORNER
L3SR3160020XXXC	1	16' STEEL STEP W/2' RADIUS CORNERS W/LINER TRACK
5S42052XXX0	2	5 1/4" Straight PANEL W/0 Z
5S42200XXX0	2	2' Straight PANEL W/0 Z
5S42400XXX0	2	4' Straight PANEL W/0 Z
5S42800XXX2	7	8' Straight PANEL W/2 Z



**Date:** 5/10/2022

**Perimeter:** 96'-6 3/4"

**Drawn By:** JESSE H

**Area:** 540.6 SQ. FT.

**Scale:** 1/8" = 1'-0"

**Notes:** - - - -



cardinalpools.com

This information is the confidential property of Cardinal Systems, Inc. Disclosure or duplication without proper written approval is strictly prohibited. Acceptance and use of this drawing constitutes knowledge and acceptance by the user of the terms and conditions set forth in the notice and warning which accompanied this drawing is incorporated herein and made part hereof and is found on Cardinal Systems, Inc's website at www.CardinalSystemsInc.com

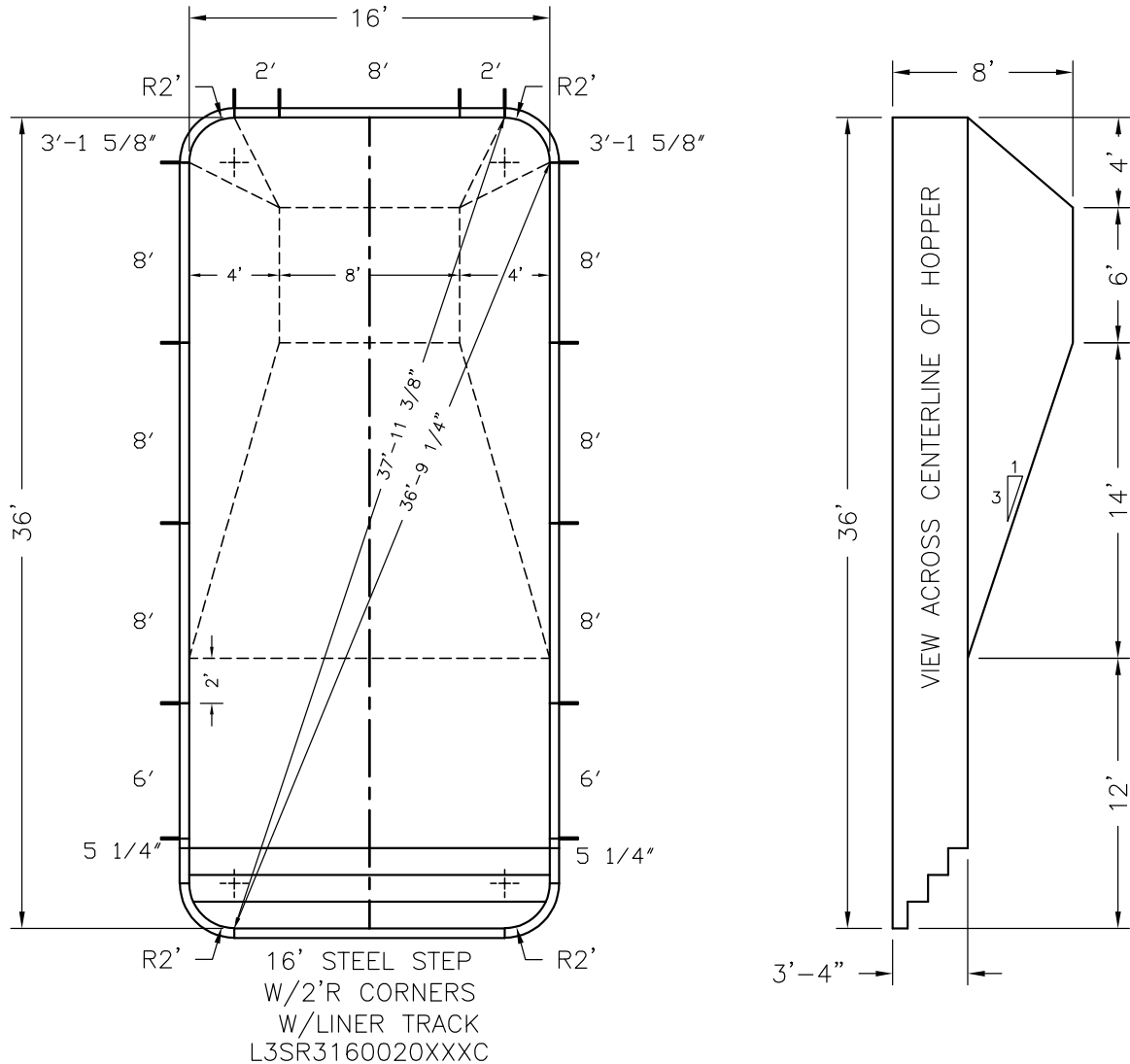



**Pool Size:** 16' X 36'  
**Pool Shape:** RECTANGLE  
**Approx Gal:** 20,829  
**Pool Number:** 1636RECT – 2R (STEEL L3)

250 Route 61 South, Schuylkill Haven, PA 17972 • 570-385-4733 • fax: 570-385-1318 • CustomerService@CardinalSystemsinc.com

### Bill of Materials

PART NO.	QUANTITY	DESCRIPTION
"A" FRAME	14	"A" FRAME ASSEMBLY
5C42315XX02000	2	2' RADIUS CORNER
L3SR3160020XXXX	1	16' STEEL STEP W/2' RADIUS CORNERS W/LINER TRACK
5S42052XXX0	2	5 1/4" Straight PANEL W/0 Z
5S42200XXX0	2	2' Straight PANEL W/0 Z
5S42600XXX1	2	6' Straight PANEL W/1 Z
5S42800XXX2	7	8' Straight PANEL W/2 Z



<b>Date:</b> 5/10/2022	<b>Perimeter:</b> 100'-6 3/4"	 cardinalpools.com
<b>Drawn By:</b> JESSE H	<b>Area:</b> 572.6 SQ. FT.	
<b>Scale:</b> 1/8" = 1'-0"	<b>Notes:</b> - - - -	

This information is the confidential property of Cardinal Systems, Inc. Disclosure or duplication without proper written approval is strictly prohibited. Acceptance and use of this drawing constitutes knowledge and acceptance by the user of the terms and conditions set forth in the notice and warning which accompanied this drawing is incorporated herein and made part hereof and is found on Cardinal Systems, Inc's website at www.CardinalSystemsInc.com

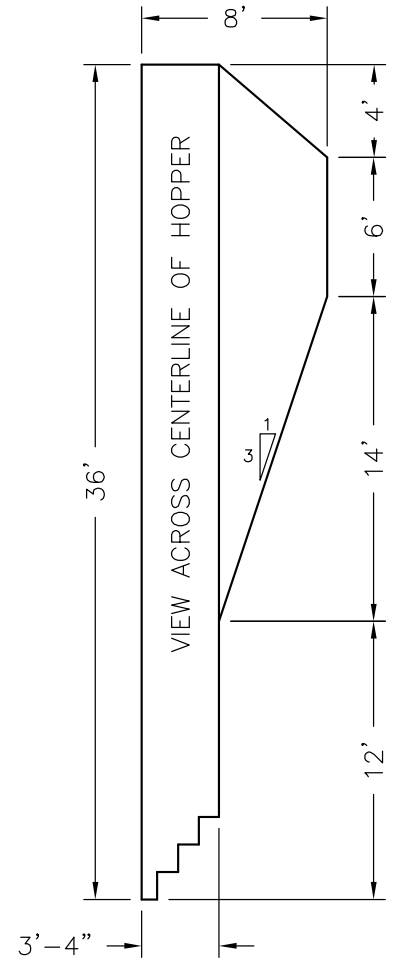
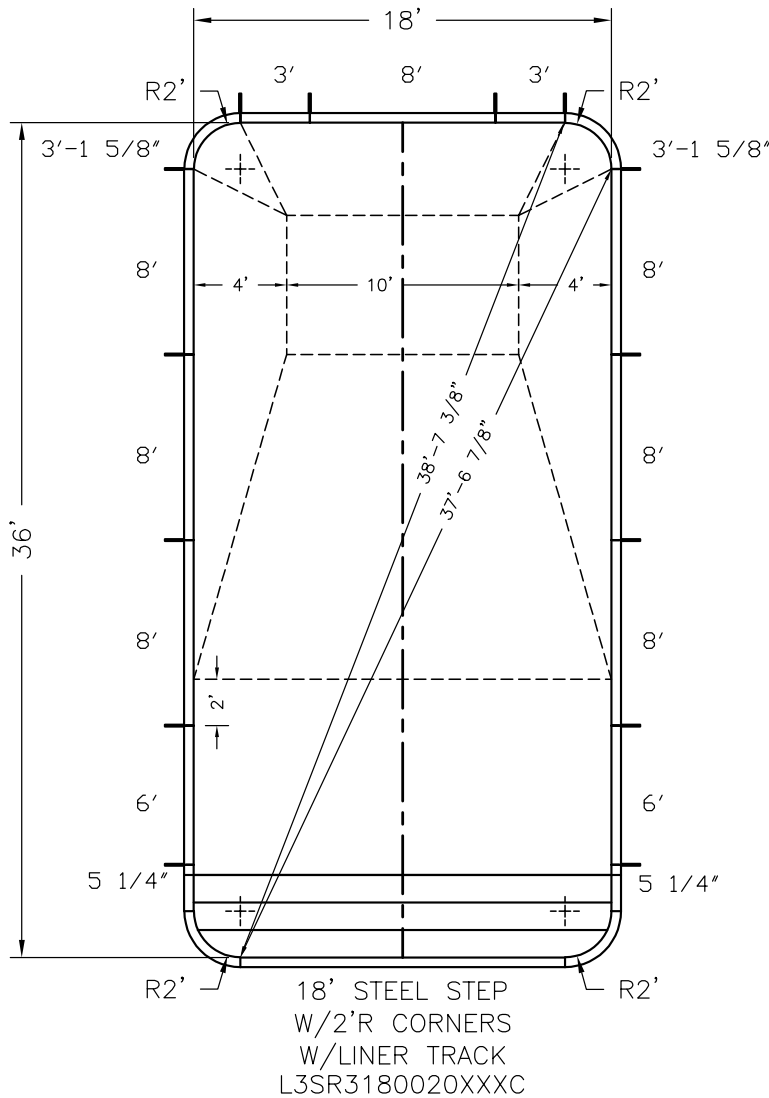


**Pool Size:** 18' X 36'  
**Pool Shape:** RECTANGLE **Approx Gal:** 23,448  
**Pool Number:** 1836RECT – 2R (STEEL L3)

250 Route 61 South, Schuylkill Haven, PA 17972 • 570-385-4733 • fax: 570-385-1318 • CustomerService@CardinalSystemsinc.com

Bill of Materials

PART NO.	QUANTITY	DESCRIPTION
"A" FRAME	14	"A" FRAME ASSEMBLY
5C42315XX02000	2	2' RADIUS CORNER
L3SR3180020XXXC	1	18 STEEL STEP W/2' RADIUS CORNERS W/LINER TRACK
5S42052XXX0	2	5 1/4" Straight PANEL W/O Z
5S42300XXX0	2	3' Straight PANEL W/O Z
5S42600XXX1	2	6' Straight PANEL W/1 Z
5S42800XXX2	7	8' Straight PANEL W/2 Z



**Date:** 5/10/2022

**Perimeter:** 104'-6 3/4"

**Drawn By:** JESSE H

**Area:** 644.6 SQ. FT.

**Scale:** 1/8" = 1'-0"

**Notes:** - - - -



cardinalpools.com

This information is the confidential property of Cardinal Systems, Inc. Disclosure or duplication without proper written approval is strictly prohibited. Acceptance and use of this drawing constitutes knowledge and acceptance by the user of the terms and conditions set forth in the notice and warning which accompanied this drawing is incorporated herein and made part hereof and is found on Cardinal Systems, Inc's website at www.CardinalSystemsInc.com

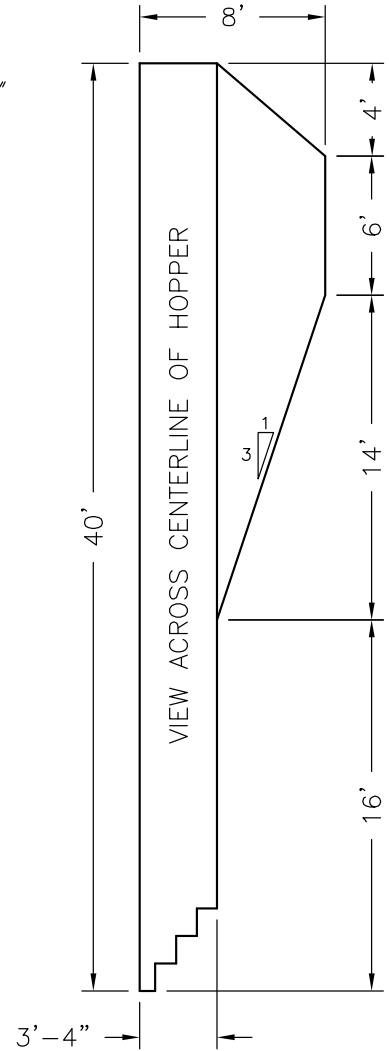
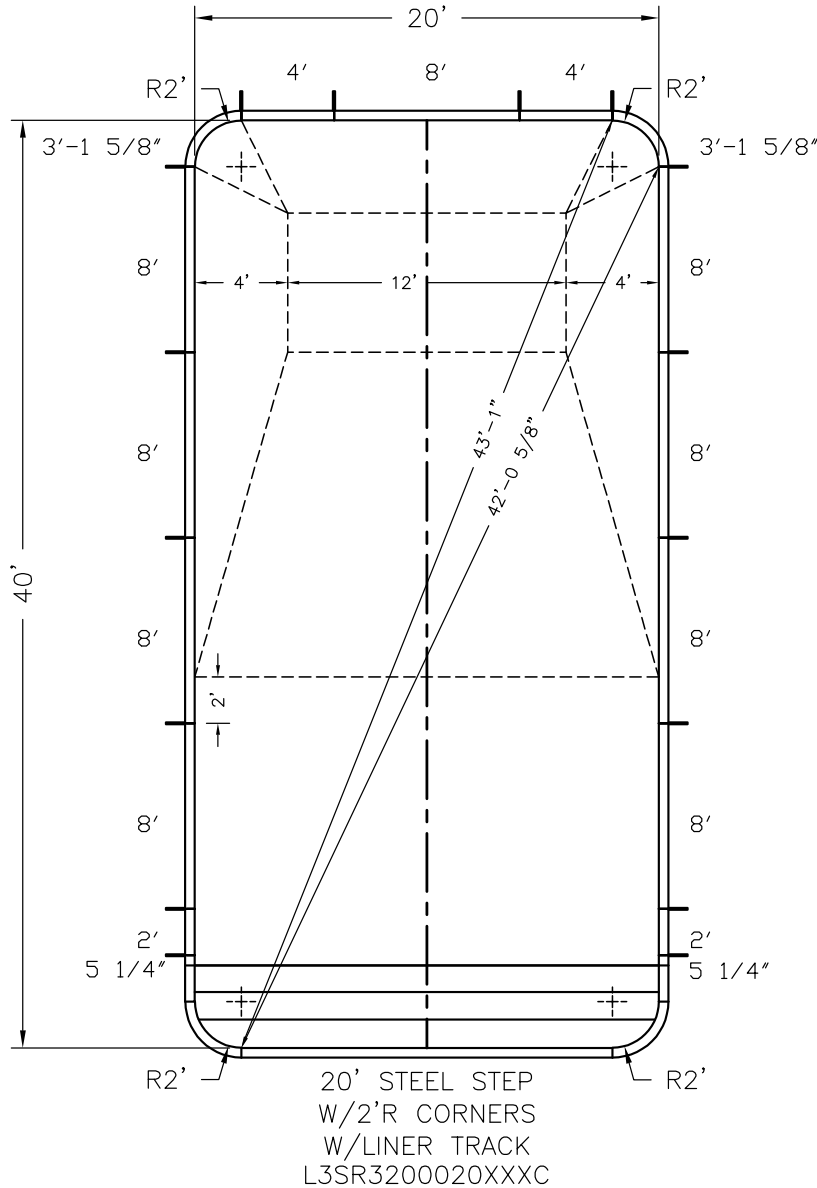


**Pool Size:** 20' X 40'  
**Pool Shape:** RECTANGLE **Approx Gal:** 28,977  
**Pool Number:** 2040RECT - 2R (STEEL L3)

250 Route 61 South, Schuylkill Haven, PA 17972 • 570-385-4733 • fax: 570-385-1318 • CustomerService@CardinalSystemsinc.com

### Bill of Materials

PART NO.	QUANTITY	DESCRIPTION
"A" FRAME	16	"A" FRAME ASSEMBLY
5C42315XX02000	2	2' RADIUS CORNER
L3SR3200020XXXX	1	20' STEEL STEP W/2' RADIUS CORNERS W/LINER TRACK
5S42052XXX0	2	5 1/4" Straight PANEL W/0 Z
5S42200XXX0	2	2' Straight PANEL W/0 Z
5S42400XXX0	2	4' Straight PANEL W/0 Z
5S42800XXX2	9	8' Straight PANEL W/2 Z



**Date:** 5/10/2022

**Perimeter:** 116'-6 3/4"

**Drawn By:** JESSE H

**Area:** 796.6 SQ. FT.

**Scale:** 1/8" = 1'-0"

**Notes:** -----



cardinalpools.com

This information is the confidential property of Cardinal Systems, Inc. Disclosure or duplication without proper written approval is strictly prohibited. Acceptance and use of this drawing constitutes knowledge and acceptance by the user of the terms and conditions set forth in the notice and warning which accompanied this drawing is incorporated herein and made part hereof and is found on Cardinal Systems, Inc's website at www.CardinalSystemsInc.com

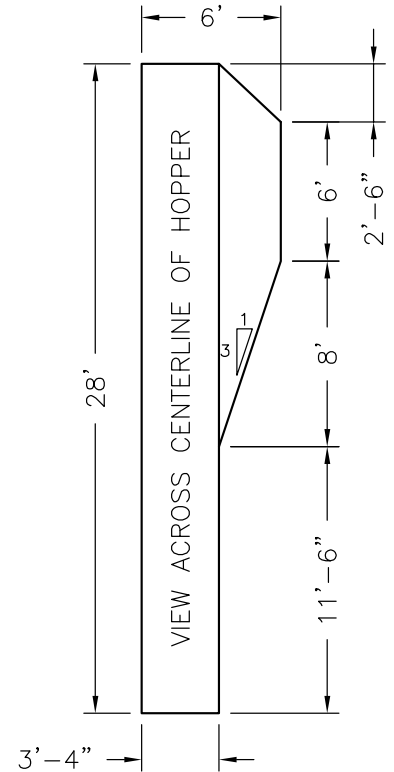
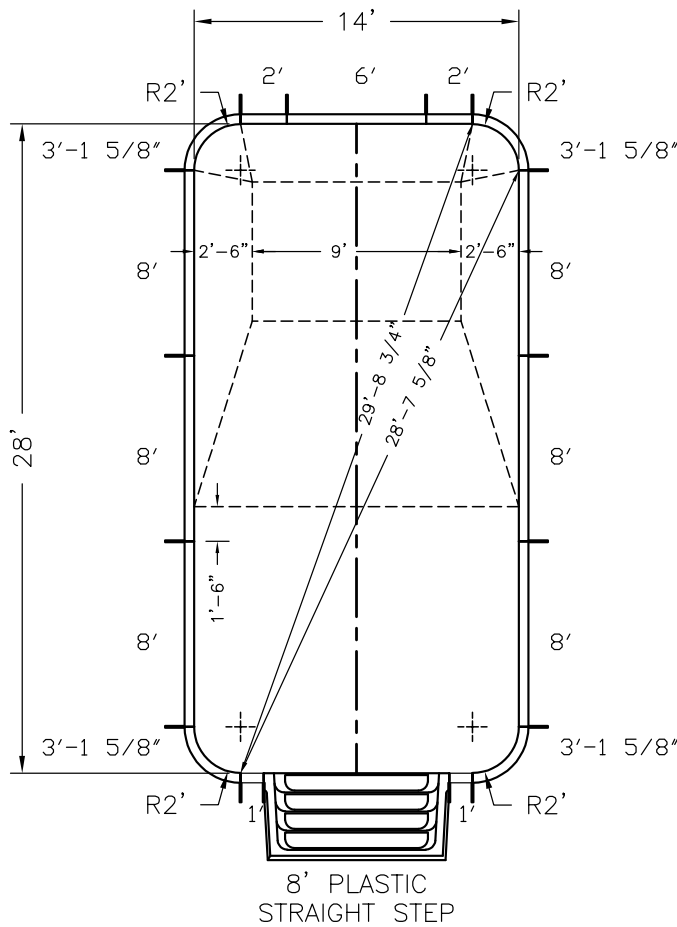


**Pool Size:** 14' X 28'  
**Pool Shape:** RECTANGLE  
**Approx Gal:** 12,387  
**Pool Number:** 1428RECT – 2R (PLASTIC)


250 Route 61 South, Schuylkill Haven, PA 17972 • 570-385-4733 • fax: 570-385-1318 • CustomerService@CardinalSystemsinc.com

Bill of Materials

PART NO.	QUANTITY	DESCRIPTION
"A" FRAME	16	"A" FRAME ASSEMBLY
5C42315XX02000	4	2' RADIUS CORNER
5S42100XXX0	2	1' Straight PANEL W/0 Z
5S42200XXX0	2	2' Straight PANEL W/0 Z
5S42600XXX1	1	6' Straight PANEL W/1 Z
5S42800XXX2	6	8' Straight PANEL W/2 Z



NOTE: THIS IS A NON DIVING POOL.

<b>Date:</b> 5/10/2022	<b>Perimeter:</b> 80'-6 3/4"	 cardinalpools.com
<b>Drawn By:</b> JESSE H	<b>Area:</b> 388.6 SQ. FT.	
<b>Scale:</b> 1/8" = 1'-0"	<b>Notes:</b> - - - -	

This information is the confidential property of Cardinal Systems, Inc. Disclosure or duplication without proper written approval is strictly prohibited. Acceptance and use of this drawing constitutes knowledge and acceptance by the user of the terms and conditions set forth in the notice and warning which accompanied this drawing is incorporated herein and made part hereof and is found on Cardinal Systems, Inc's website at www.CardinalSystemsInc.com

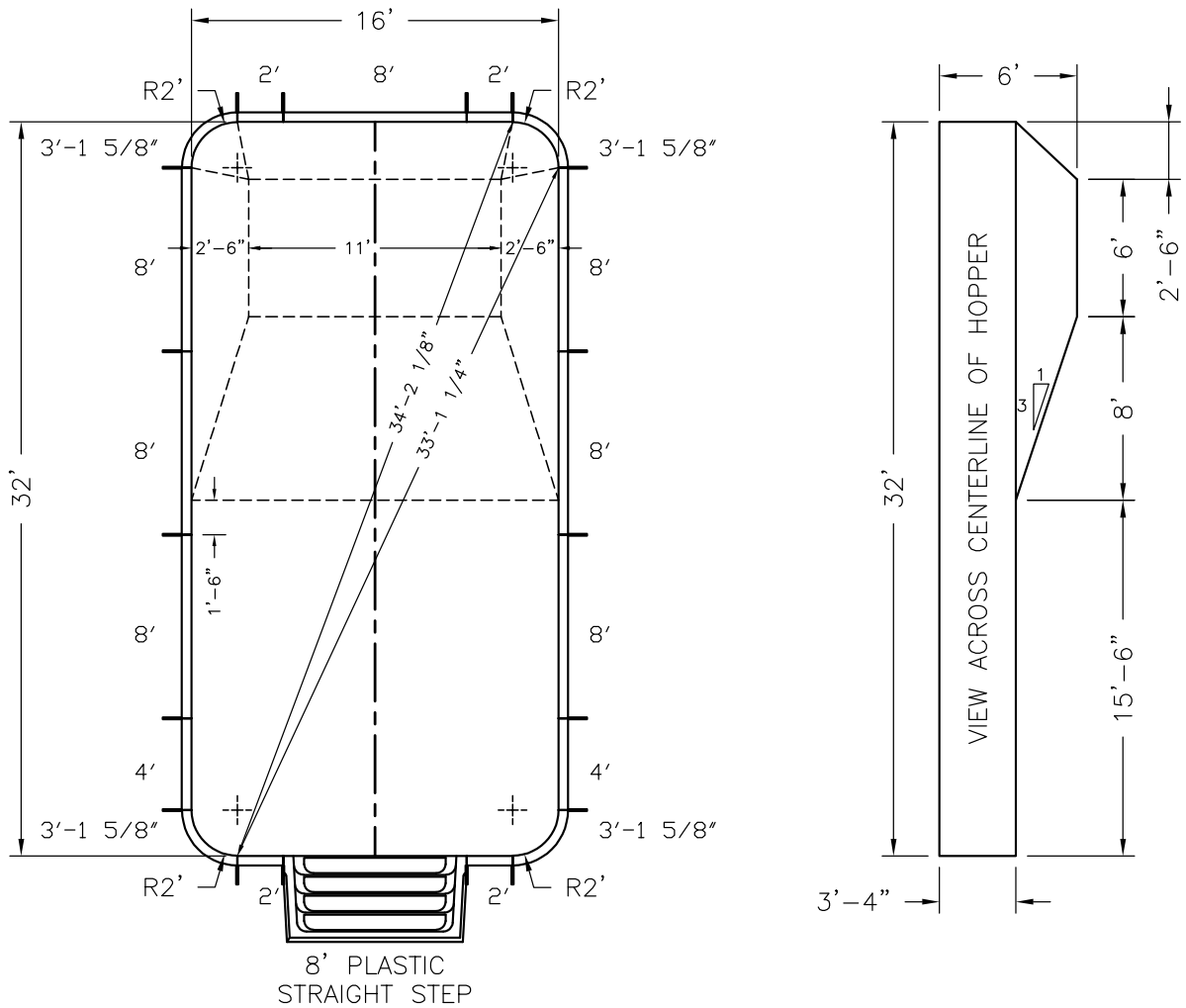


**Pool Size:** 16' X 32'  
**Pool Shape:** RECTANGLE **Approx Gal:** 16,212  
**Pool Number:** 1632RECT – 2R (PLASTIC)

250 Route 61 South, Schuylkill Haven, PA 17972 • 570-385-4733 • fax: 570-385-1318 • CustomerService@CardinalSystemsinc.com

Bill of Materials

PART NO.	QUANTITY	DESCRIPTION
"A" FRAME	18	"A" FRAME ASSEMBLY
5C42315XX02000	4	2' RADIUS CORNER
5S42200XXX0	4	2' Straight PANEL W/O Z
5S42400XXX0	2	4' Straight PANEL W/O Z
5S42800XXX2	7	8' Straight PANEL W/2 Z



NOTE: THIS IS A NON DIVING POOL.

<b>Date:</b> 5/10/2022	<b>Perimeter:</b> 92'-6 3/4"	
<b>Drawn By:</b> JESSE H	<b>Area:</b> 508.6 SQ. FT.	
<b>Scale:</b> 1/8" = 1'-0"	<b>Notes:</b> -----	

This information is the confidential property of Cardinal Systems, Inc. Disclosure or duplication without proper written approval is strictly prohibited. Acceptance and use of this drawing constitutes knowledge and acceptance by the user of the terms and conditions set forth in the notice and warning which accompanied this drawing is incorporated herein and made part hereof and is found on Cardinal Systems, Inc's website at www.CardinalSystemsInc.com

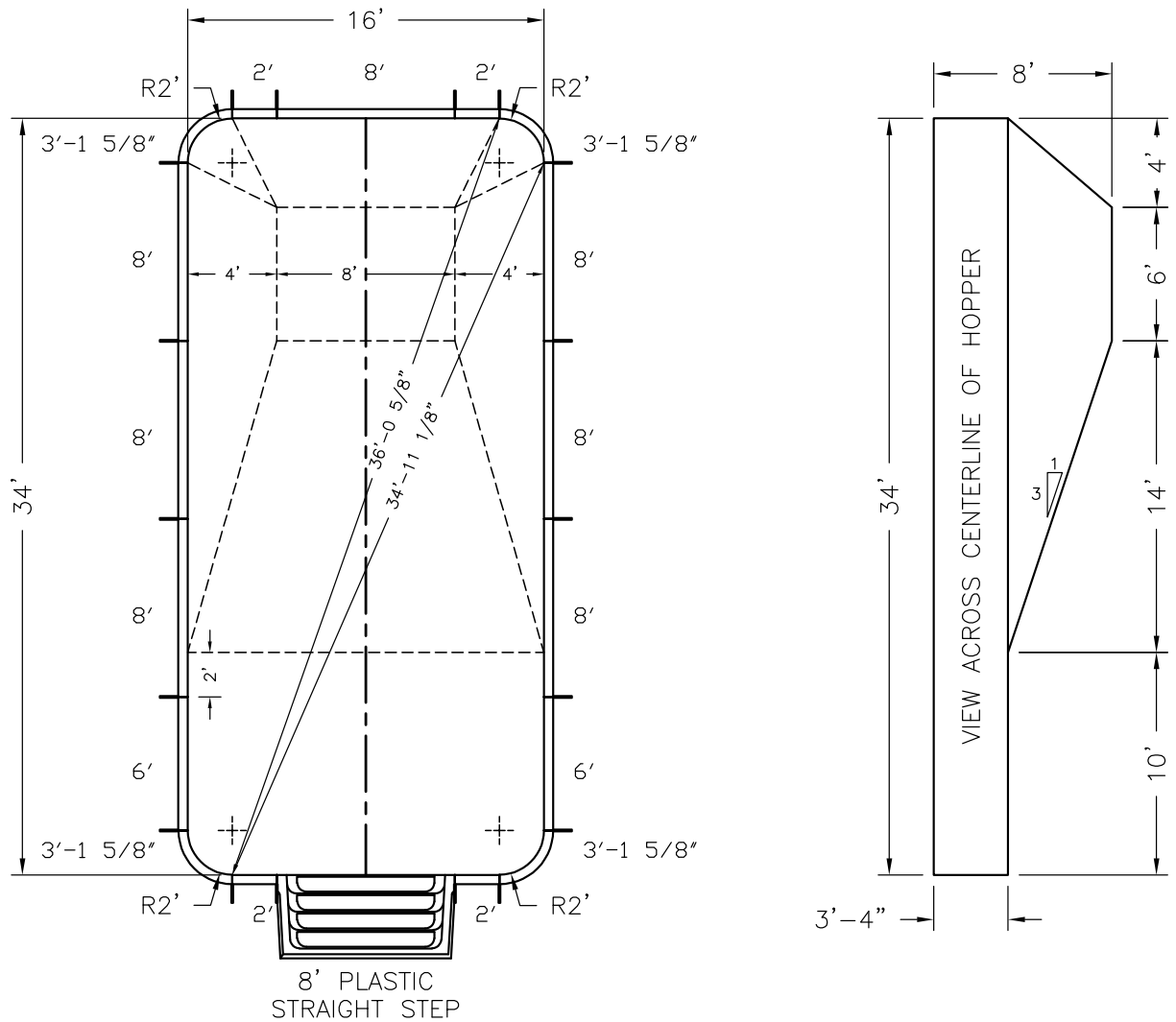


**Pool Size:** 16' X 34'  
**Pool Shape:** RECTANGLE  
**Pool Number:** 1634RECT – 2R (PLASTIC)  
**Approx Gal:** 19,665

250 Route 61 South, Schuylkill Haven, PA 17972 • 570-385-4733 • fax: 570-385-1318 • CustomerService@CardinalSystemsinc.com

### Bill of Materials

PART NO.	QUANTITY	DESCRIPTION
"A" FRAME	18	"A" FRAME ASSEMBLY
5C42315XX02000	4	2' RADIUS CORNER
5S42200XXX0	4	2' Straight PANEL W/0 Z
5S42600XXX1	2	6' Straight PANEL W/1 Z
5S42800XXX2	7	8' Straight PANEL W/2 Z



**Date:** 5/10/2022

**Perimeter:** 96'-6 3/4"

**Drawn By:** JESSE H

**Area:** 540.6 SQ. FT.

**Scale:** 1/8" = 1'-0"

**Notes:** - - - -



cardinalpools.com

This information is the confidential property of Cardinal Systems, Inc. Disclosure or duplication without proper written approval is strictly prohibited. Acceptance and use of this drawing constitutes knowledge and acceptance by the user of the terms and conditions set forth in the notice and warning which accompanied this drawing is incorporated herein and made part hereof and is found on Cardinal Systems, Inc's website at www.CardinalSystemsInc.com



**Pool Size:** 16' X 36'

**Pool Shape:** RECTANGLE

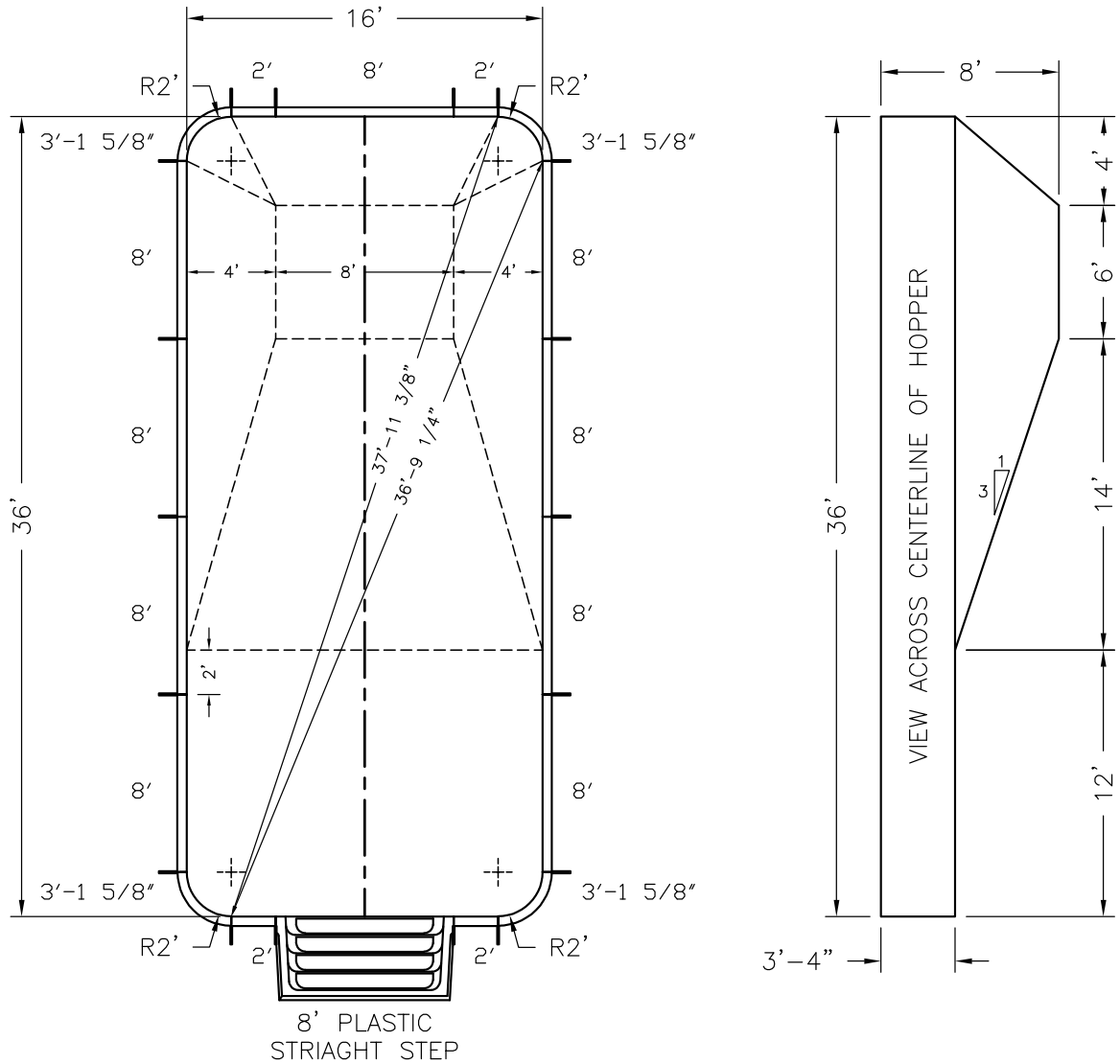
**Approx Gal:** 20,829

**Pool Number:** 1636RECT – 2R (PLASTIC)

250 Route 61 South, Schuylkill Haven, PA 17972 • 570-385-4733 • fax: 570-385-1318 • CustomerService@CardinalSystemsinc.com

Bill of Materials

PART NO.	QUANTITY	DESCRIPTION
"A" FRAME	18	"A" FRAME ASSEMBLY
5C42315XX02000	4	2' RADIUS CORNER
5S42200XXX0	4	2' Straight PANEL W/0 Z
5S42800XXX2	9	8' Straight PANEL W/2 Z



**Date:** 5/10/2022

**Perimeter:** 100'-6 3/4"

**Drawn By:** JESSE H

**Area:** 572.6 SQ. FT.

**Scale:** 1/8" = 1'-0"

**Notes:** -----



cardinalpools.com

This information is the confidential property of Cardinal Systems, Inc. Disclosure or duplication without proper written approval is strictly prohibited. Acceptance and use of this drawing constitutes knowledge and acceptance by the user of the terms and conditions set forth in the notice and warning which accompanied this drawing is incorporated herein and made part hereof and is found on Cardinal Systems, Inc's website at www.CardinalSystemsInc.com



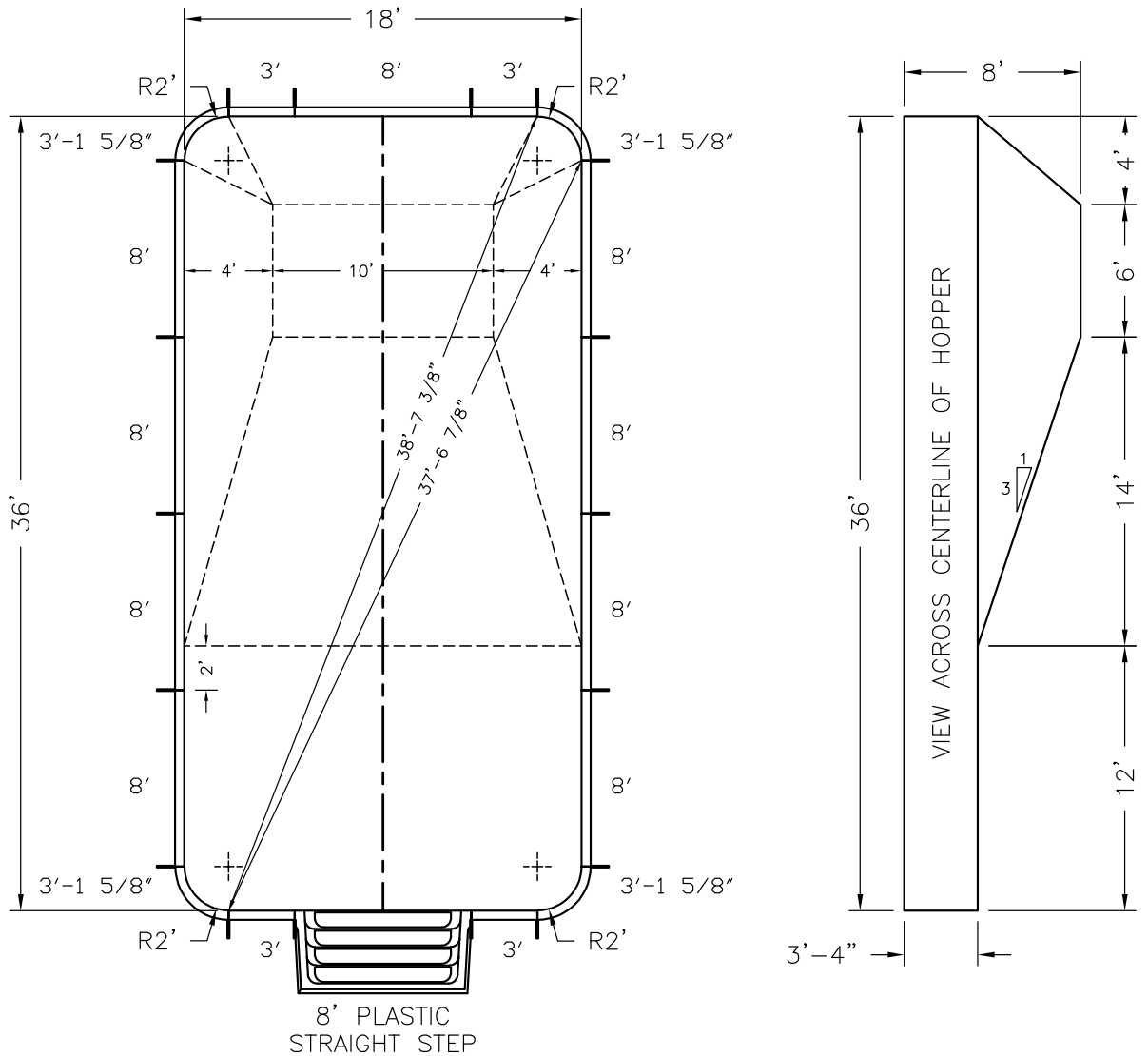


**Pool Size:** 18' X 36'  
**Pool Shape:** RECTANGLE  
**Approx Gal:** 23,448  
**Pool Number:** 1836RECT – 2R (PLASTIC)

250 Route 61 South, Schuylkill Haven, PA 17972 • 570-385-4733 • fax: 570-385-1318 • CustomerService@CardinalSystemsinc.com

Bill of Materials

PART NO.	QUANTITY	DESCRIPTION
"A" FRAME	18	"A" FRAME ASSEMBLY
5C42315XX02000	4	2' RADIUS CORNER
5S42300XXX0	4	3' Straight PANEL W/0 Z
5S42800XXX2	9	8' Straight PANEL W/2 Z



**Date:** 5/10/2022

**Perimeter:** 104'-6 3/4"

**Drawn By:** JESSE H

**Area:** 644.6 SQ. FT.

**Scale:** 1/8" = 1'-0"

**Notes:** - - - -



cardinalpools.com

This information is the confidential property of Cardinal Systems, Inc. Disclosure or duplication without proper written approval is strictly prohibited. Acceptance and use of this drawing constitutes knowledge and acceptance by the user of the terms and conditions set forth in the notice and warning which accompanied this drawing is incorporated herein and made part hereof and is found on Cardinal Systems, Inc's website at www.CardinalSystemsInc.com



**Pool Size:** 20' X 40'

**Pool Shape:** RECTANGLE

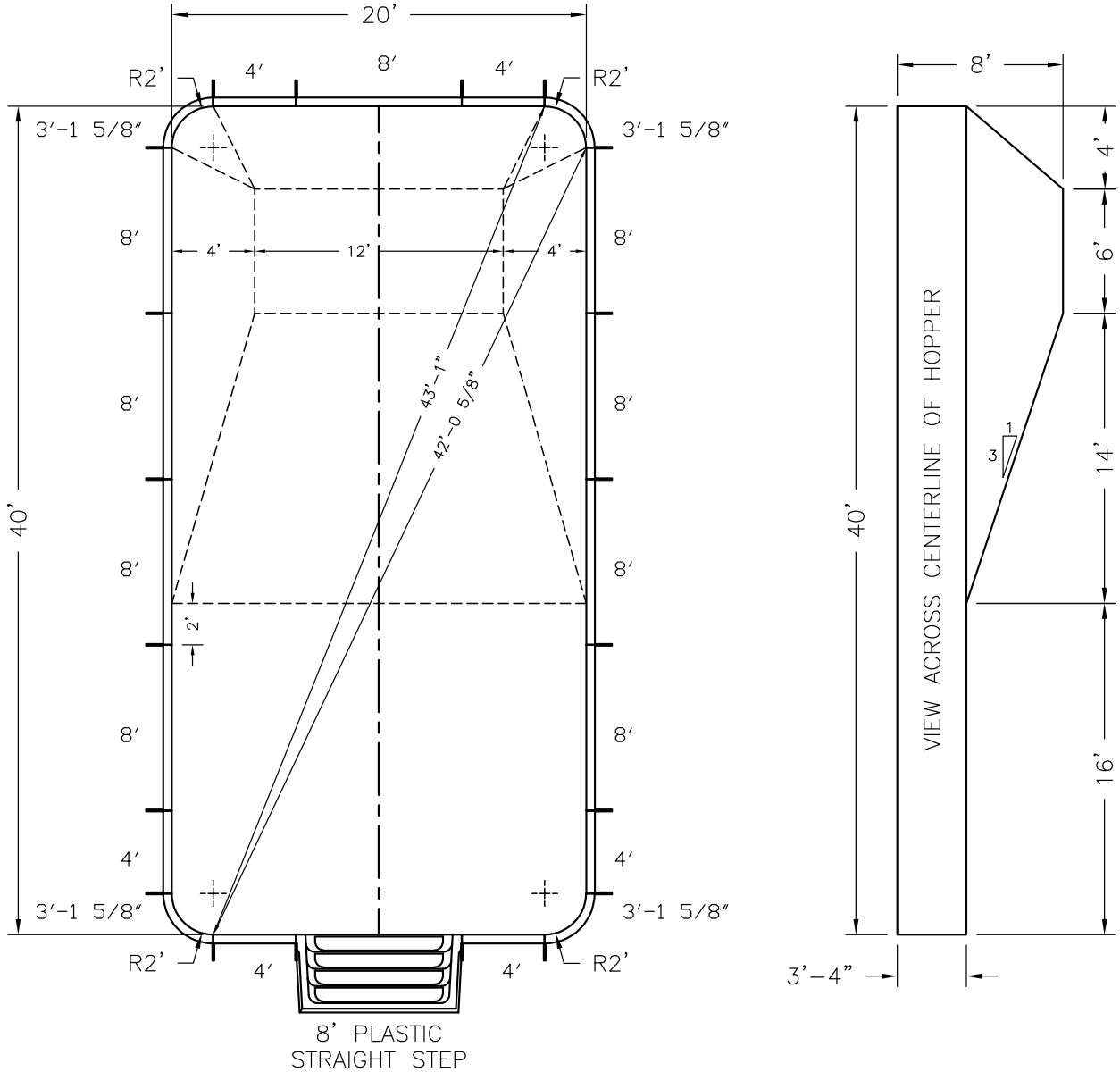
**Approx Gal:** 28,977


**Pool Number:** 2040RECT – 2R (PLASTIC)

250 Route 61 South, Schuylkill Haven, PA 17972 • 570-385-4733 • fax: 570-385-1318 • CustomerService@CardinalSystemsinc.com

Bill of Materials

PART NO.	QUANTITY	DESCRIPTION
"A" FRAME	20	"A" FRAME ASSEMBLY
5C42315XX02000	4	2' RADIUS CORNER
5S42400XXX0	6	4' Straight PANEL W/0 Z
5S42800XXX2	9	8' Straight PANEL W/2 Z



<b>Date:</b> 5/10/2022	<b>Perimeter:</b> 116'-6 3/4"	 cardinalpools.com
<b>Drawn By:</b> JESSE H	<b>Area:</b> 796.6 SQ. FT.	
<b>Scale:</b> 1/8" = 1'-0"	<b>Notes:</b> -----	

This information is the confidential property of Cardinal Systems, Inc. Disclosure or duplication without proper written approval is strictly prohibited. Acceptance and use of this drawing constitutes knowledge and acceptance by the user of the terms and conditions set forth in the notice and warning which accompanied this drawing is incorporated herein and made part hereof and is found on Cardinal Systems, Inc's website at www.CardinalSystemsInc.com

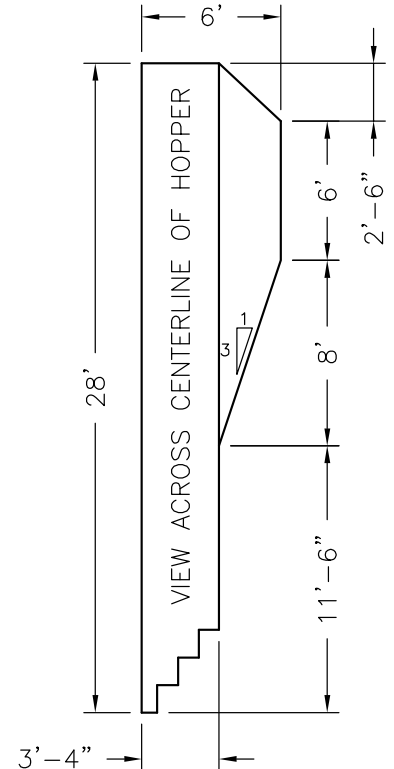
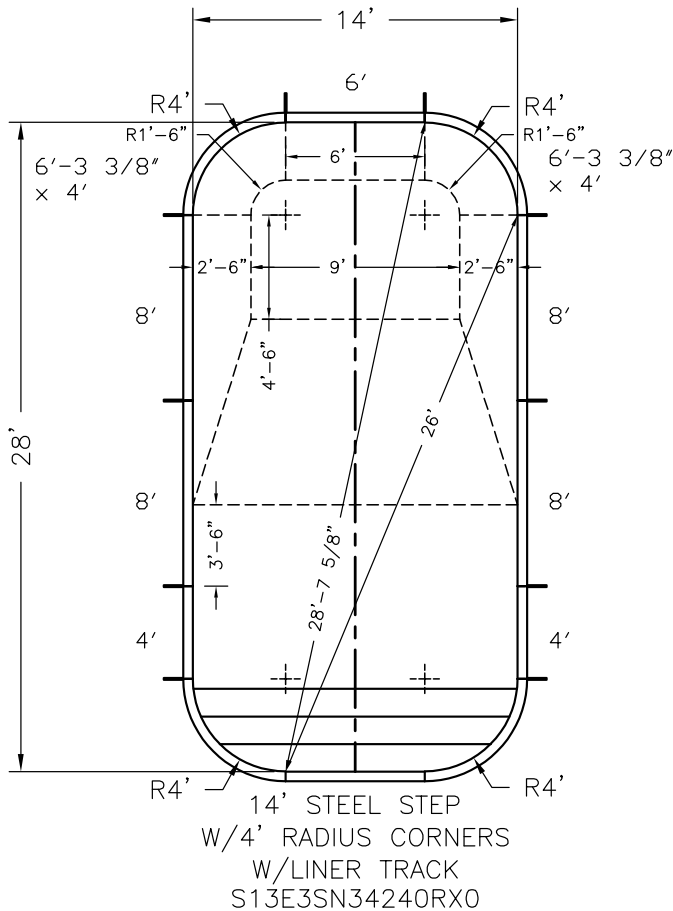


**Pool Size:** 14' X 28'  
**Pool Shape:** RECTANGLE **Approx Gal:** 12,059  
**Pool Number:** 1428RECT – 4R (STEEL)


250 Route 61 South, Schuylkill Haven, PA 17972 • 570-385-4733 • fax: 570-385-1318 • CustomerService@CardinalSystemsinc.com

Bill of Materials

PART NO.	QUANTITY	DESCRIPTION
"A" FRAME	10	"A" FRAME ASSEMBLY
S13E3SN34240RX0	1	14' STEEL STEP W/4' RADIUS CORNERS W/LINER TRACK
5C42633XX04000	2	6'-3 3/8" x 4' Radius C PANEL W/0 Z
5S42400XXX0	2	4' Straight PANEL W/0 Z
5S42600XXX1	1	6' Straight PANEL W/1 Z
5S42800XXX2	4	8' Straight PANEL W/2 Z



NOTE: THIS IS A NON DIVING POOL.

<b>Date:</b> 5/10/2022	<b>Perimeter:</b> 77'-1 5/8"	 cardinalpools.com
<b>Drawn By:</b> JESSE H	<b>Area:</b> 378.3 SQ. FT.	
<b>Scale:</b> 1/8" = 1'-0"	<b>Notes:</b> - - - -	

This information is the confidential property of Cardinal Systems, Inc. Disclosure or duplication without proper written approval is strictly prohibited. Acceptance and use of this drawing constitutes knowledge and acceptance by the user of the terms and conditions set forth in the notice and warning which accompanied this drawing is incorporated herein and made part hereof and is found on Cardinal Systems, Inc's website at www.CardinalSystemsInc.com



**Pool Size:** 16' X 32'

**Pool Shape:** RECTANGLE

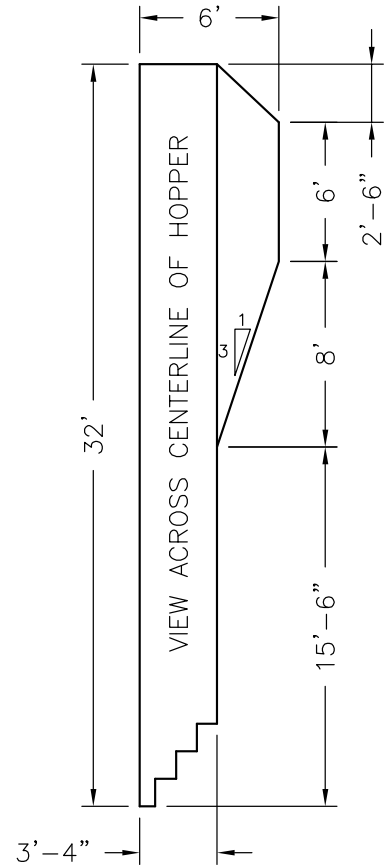
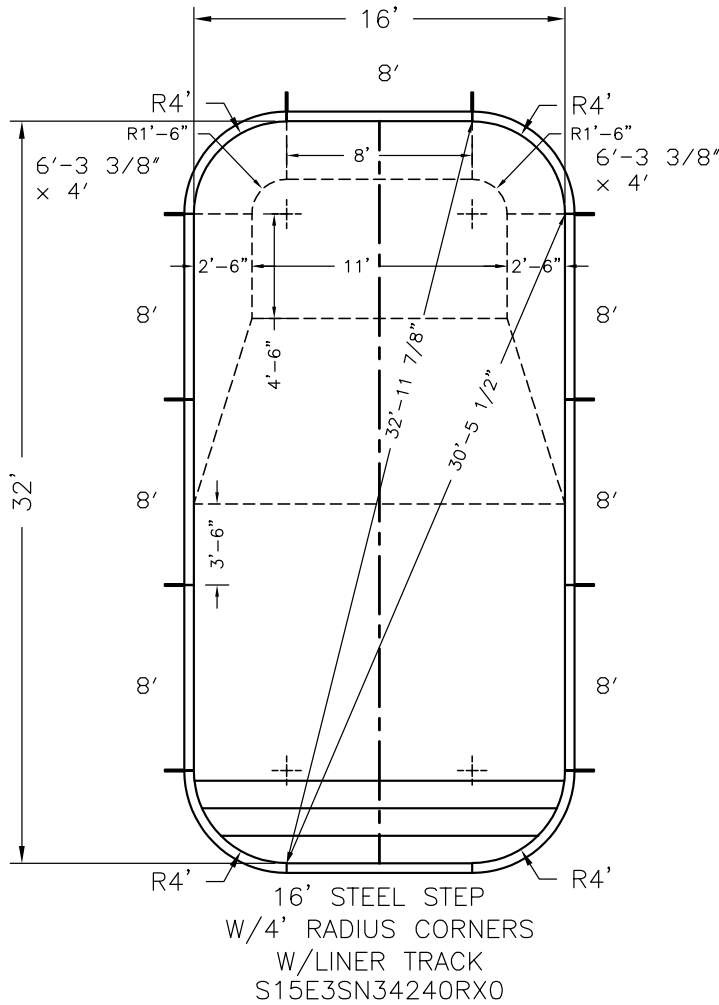
**Approx Gal:** 15,884

**Pool Number:** 1632RECT – 4R (STEEL)

250 Route 61 South, Schuylkill Haven, PA 17972 • 570-385-4733 • fax: 570-385-1318 • CustomerService@CardinalSystemsinc.com

Bill of Materials

PART NO.	QUANTITY	DESCRIPTION
"A" FRAME	10	"A" FRAME ASSEMBLY
S15E3SN34240RX0	1	16' STEEL STEP W/4' RADIUS CORNERS W/LINER TRACK
5C42633XX04000	2	6'-3 3/8" x 4' Radius C PANEL W/0 Z
5S42800XXX2	7	8' Straight PANEL W/2 Z



NOTE: THIS IS A NON DIVING POOL.

<b>Date:</b> 5/10/2022	<b>Perimeter:</b> 89'-1 5/8"	
<b>Drawn By:</b> JESSE H	<b>Area:</b> 498.3 SQ. FT.	
<b>Scale:</b> 1/8" = 1'-0"	<b>Notes:</b> -----	

This information is the confidential property of Cardinal Systems, Inc. Disclosure or duplication without proper written approval is strictly prohibited. Acceptance and use of this drawing constitutes knowledge and acceptance by the user of the terms and conditions set forth in the notice and warning which accompanied this drawing is incorporated herein and made part hereof and is found on Cardinal Systems, Inc's website at www.CardinalSystemsInc.com

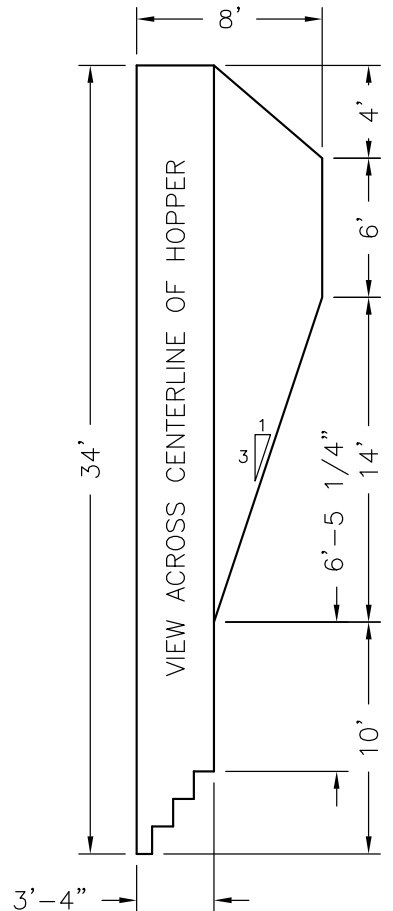
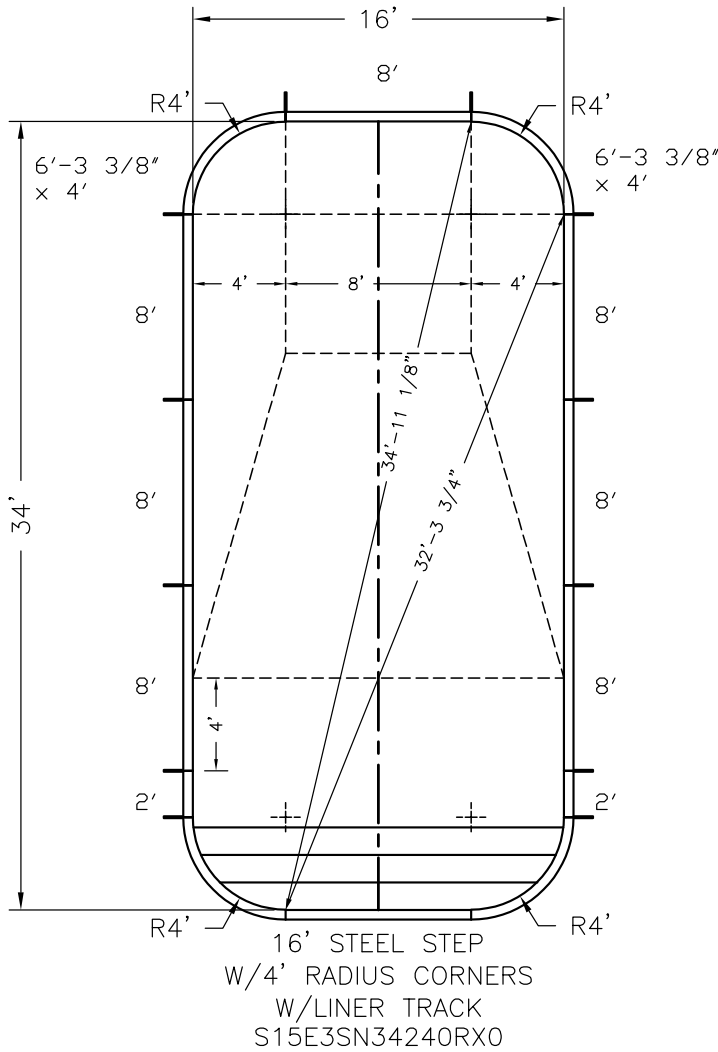


**Pool Size:** 16' X 34'  
**Pool Shape:** RECTANGLE **Approx Gal:** 19,290  
**Pool Number:** 1634RECT – 4R (STEEL)

250 Route 61 South, Schuylkill Haven, PA 17972 • 570-385-4733 • fax: 570-385-1318 • CustomerService@CardinalSystemsinc.com

Bill of Materials

PART NO.	QUANTITY	DESCRIPTION
"A" FRAME	12	"A" FRAME ASSEMBLY
S15E3SN34240RX0	1	16' STEEL STEP W/4' RADIUS CORNERS W/LINER TRACK
5C42633XX04000	2	6'-3 3/8" x 4' Radius C PANEL W/O Z
5S42200XXX0	2	2' Straight PANEL W/O Z
5S42800XXX2	7	8' Straight PANEL W/2 Z



<b>Date:</b> 5/10/2022	<b>Perimeter:</b> 93'-1 5/8"
<b>Drawn By:</b> JESSE H	<b>Area:</b> 530.3 SQ. FT.
<b>Scale:</b> 1/8" = 1'-0"	<b>Notes:</b> - - - -



This information is the confidential property of Cardinal Systems, Inc. Disclosure or duplication without proper written approval is strictly prohibited. Acceptance and use of this drawing constitutes knowledge and acceptance by the user of the terms and conditions set forth in the notice and warning which accompanied this drawing is incorporated herein and made part hereof and is found on Cardinal Systems, Inc's website at www.CardinalSystemsInc.com

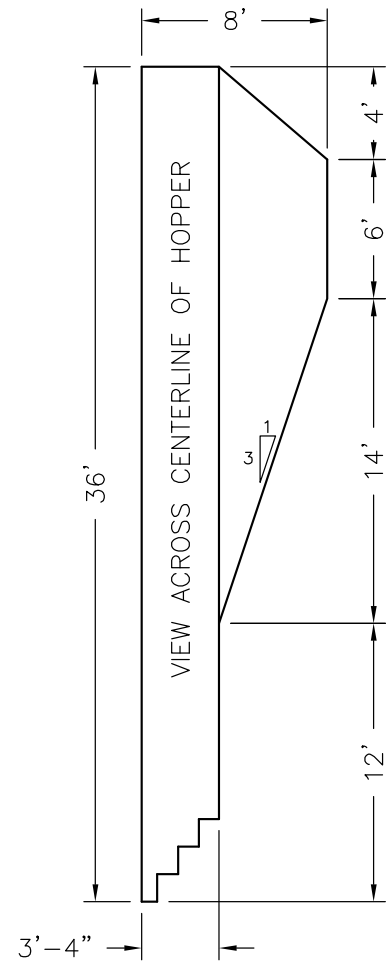
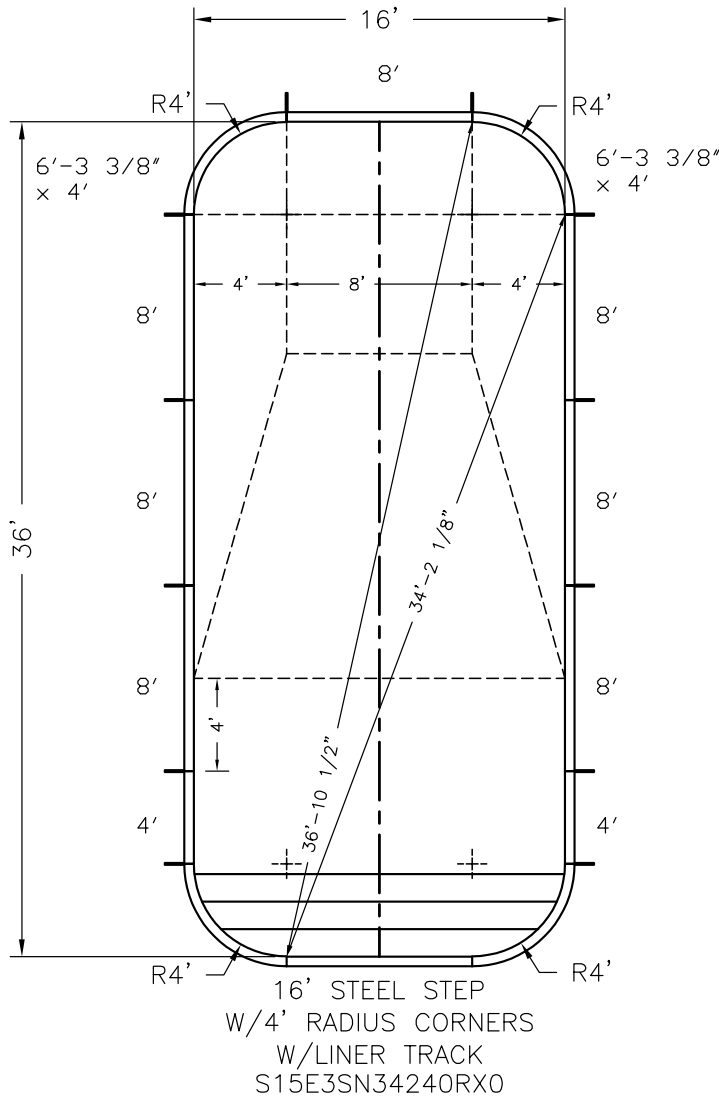


**Pool Size:** 16' X 36'  
**Pool Shape:** RECTANGLE **Approx Gal:** 20,454  
**Pool Number:** 1636RECT – 4R (STEEL)

250 Route 61 South, Schuylkill Haven, PA 17972 • 570-385-4733 • fax: 570-385-1318 • CustomerService@CardinalSystemsinc.com

Bill of Materials

PART NO.	QUANTITY	DESCRIPTION
"A" FRAME	12	"A" FRAME ASSEMBLY
S15E3SN34240RX0	1	16' STEEL STEP W/4' RADIUS CORNERS W/LINER TRACK
5C42633XX04000	2	6'-3 3/8" x 4' Radius C PANEL W/0 Z
5S42400XXX0	2	4' Straight PANEL W/0 Z
5S42800XXX2	7	8' Straight PANEL W/2 Z



**Date:** 5/10/2022

**Perimeter:** 97'-1 5/8"

**Drawn By:** JESSE H

**Area:** 562.3 SQ. FT.

**Scale:** 1/8" = 1'-0"

**Notes:** -----



cardinalpools.com

This information is the confidential property of Cardinal Systems, Inc. Disclosure or duplication without proper written approval is strictly prohibited. Acceptance and use of this drawing constitutes knowledge and acceptance by the user of the terms and conditions set forth in the notice and warning which accompanied this drawing is incorporated herein and made part hereof and is found on Cardinal Systems, Inc's website at www.CardinalSystemsInc.com

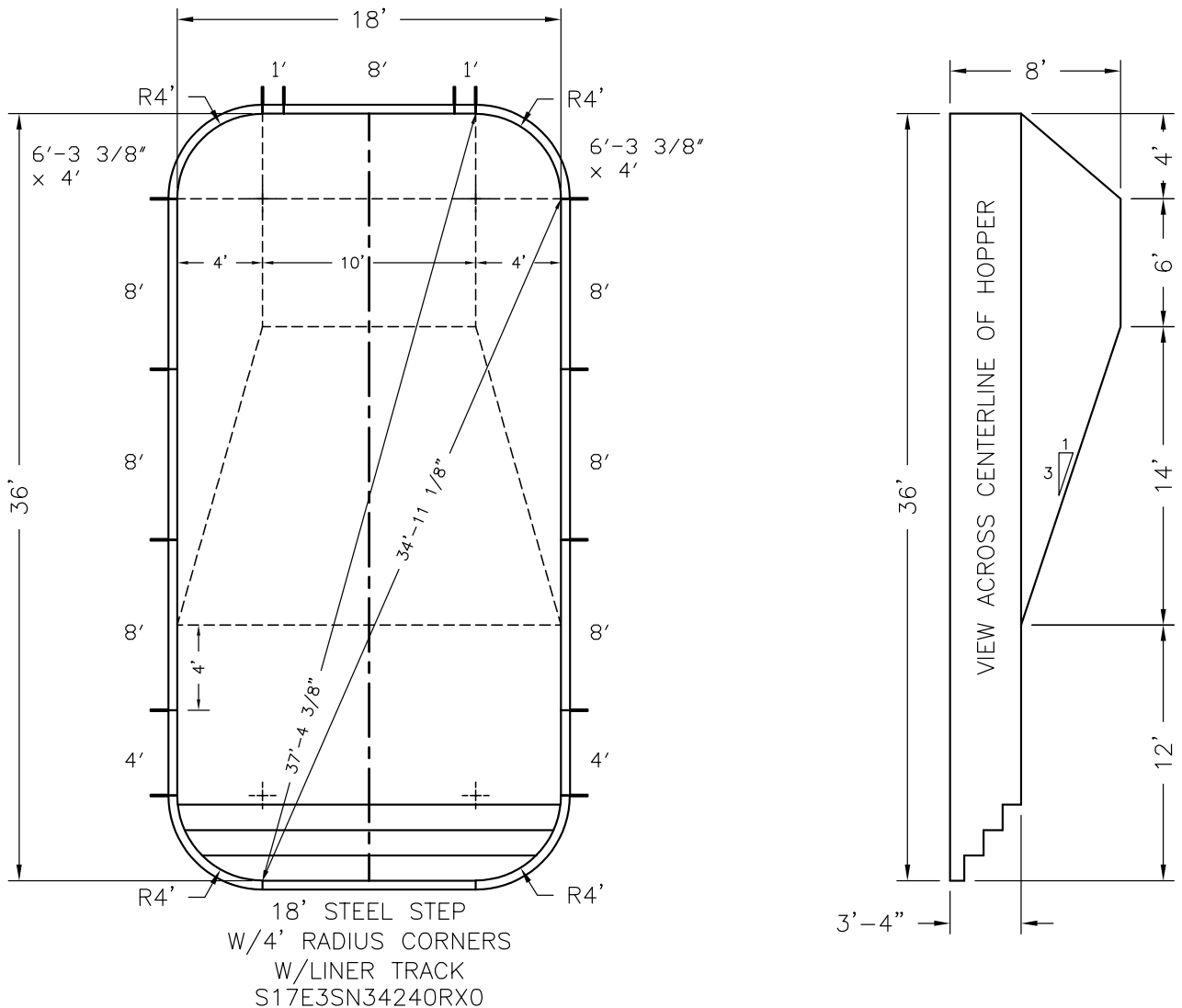


**Pool Size:** 18' X 36'  
**Pool Shape:** RECTANGLE  
**Approx Gal:** 23,073  
**Pool Number:** 1836RECT – 4R (STEEL)

250 Route 61 South, Schuylkill Haven, PA 17972 • 570-385-4733 • fax: 570-385-1318 • CustomerService@CardinalSystemsinc.com

### Bill of Materials

PART NO.	QUANTITY	DESCRIPTION
"A" FRAME	14	"A" FRAME ASSEMBLY
S17E3SN34240RX0	1	18' STEEL STEP W/4' RADIUS CORNERS W/LINER TRACK
5C42633XX04000	2	6'-3 3/8" x 4' Radius C PANEL W/0 Z
5S42100XXX0	2	1' Straight PANEL W/0 Z
5S42400XXX0	2	4' Straight PANEL W/0 Z
5S42800XXX2	7	8' Straight PANEL W/2 Z



**Date:** 5/10/2022

**Perimeter:** 101'-1 5/8"

**Drawn By:** JESSE H

**Area:** 634.3 SQ. FT.

**Scale:** 1/8" = 1'-0"

**Notes:** - - - -



cardinalpools.com

This information is the confidential property of Cardinal Systems, Inc. Disclosure or duplication without proper written approval is strictly prohibited. Acceptance and use of this drawing constitutes knowledge and acceptance by the user of the terms and conditions set forth in the notice and warning which accompanied this drawing is incorporated herein and made part hereof and is found on Cardinal Systems, Inc's website at www.CardinalSystemsInc.com

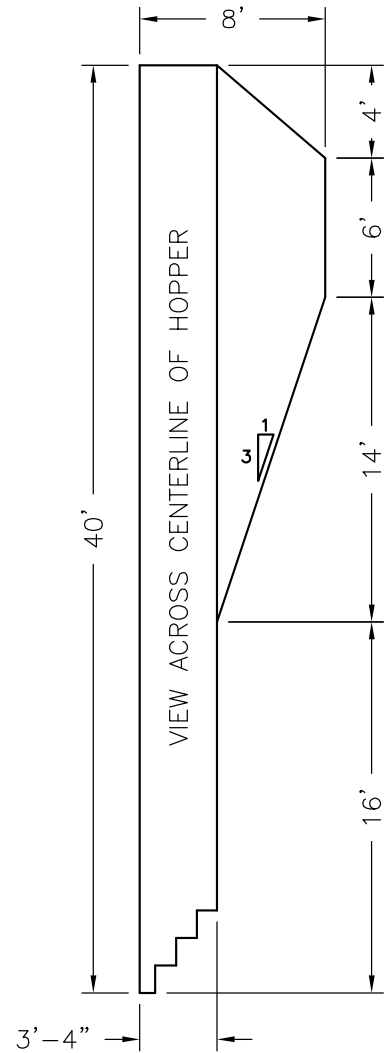
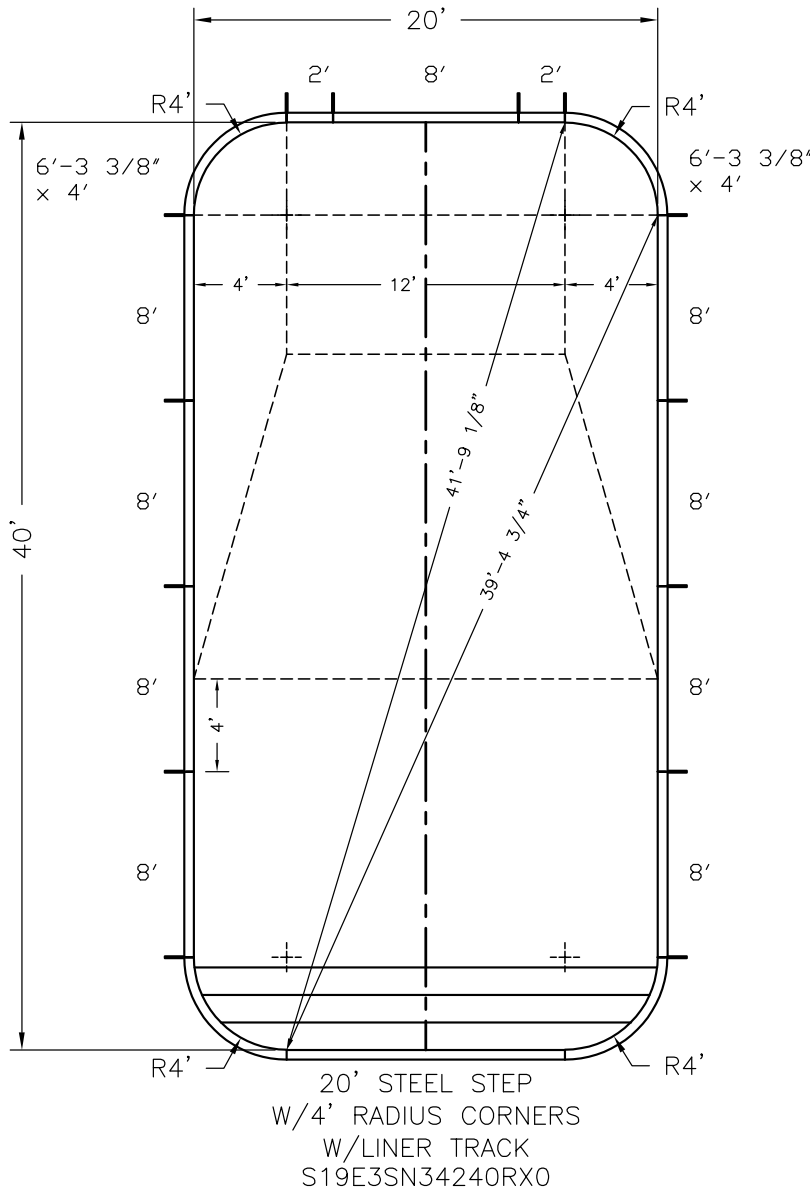


**Pool Size:** 20' X 40'  
**Pool Shape:** RECTANGLE **Approx Gal:** 28,602  
**Pool Number:** 2040RECT – 4R (STEEL)

250 Route 61 South, Schuylkill Haven, PA 17972 • 570-385-4733 • fax: 570-385-1318 • CustomerService@CardinalSystemsinc.com

Bill of Materials

PART NO.	QUANTITY	DESCRIPTION
"A" FRAME	14	"A" FRAME ASSEMBLY
S19E3SN34240RX0	1	20' STEEL STEP W/4' RADIUS CORNERS W/LINER TRACK
5C42633XX04000	2	6'-3 3/8" x 4' Radius C PANEL W/0 Z
5S42200XXX0	2	2' Straight PANEL W/0 Z
5S42800XXX2	9	8' Straight PANEL W/2 Z



<b>Date:</b> 5/10/2022	<b>Perimeter:</b> 113'-1 5/8"	 cardinalpools.com
<b>Drawn By:</b> JESSE H	<b>Area:</b> 786.3 SQ. FT.	
<b>Scale:</b> 1/8" = 1'-0"	<b>Notes:</b> -----	

This information is the confidential property of Cardinal Systems, Inc. Disclosure or duplication without proper written approval is strictly prohibited. Acceptance and use of this drawing constitutes knowledge and acceptance by the user of the terms and conditions set forth in the notice and warning which accompanied this drawing is incorporated herein and made part hereof and is found on Cardinal Systems, Inc's website at www.CardinalSystemsInc.com



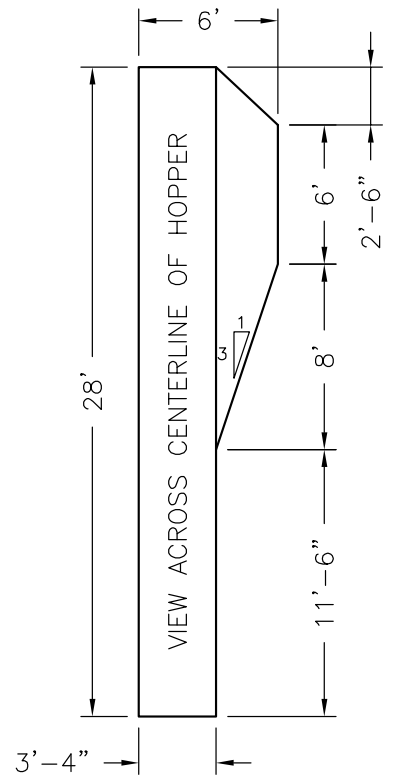
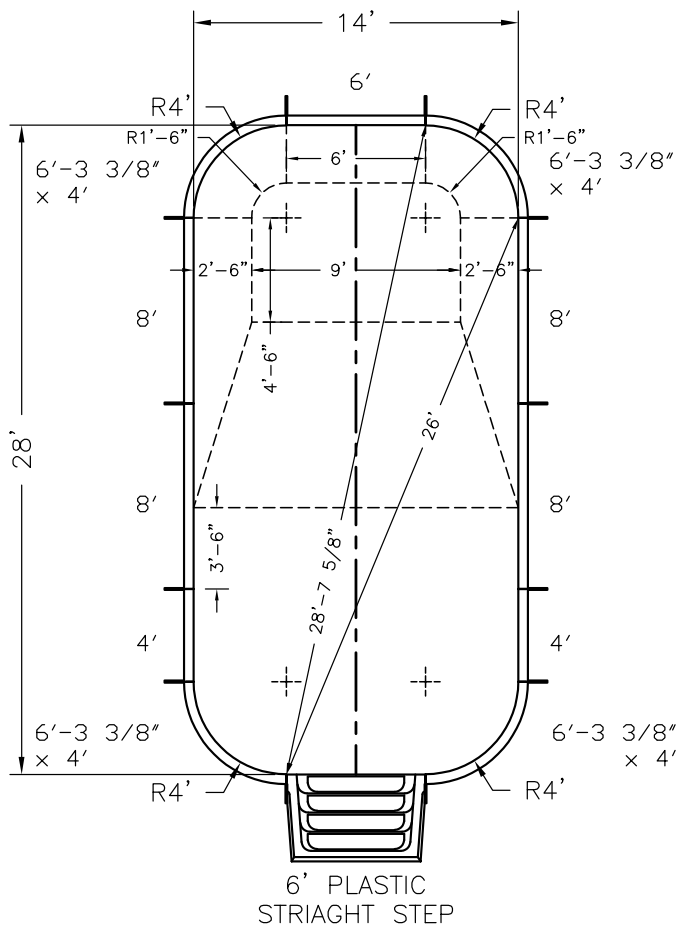


**Pool Size:** 14' X 28'  
**Pool Shape:** RECTANGLE  
**Approx Gal:** 12,059  
**Pool Number:** 1428RECT – 4R (PLASTIC)

250 Route 61 South, Schuylkill Haven, PA 17972 • 570-385-4733 • fax: 570-385-1318 • CustomerService@CardinalSystemsinc.com

Bill of Materials

PART NO.	QUANTITY	DESCRIPTION
"A" FRAME	12	"A" FRAME ASSEMBLY
5C42633XX04000	4	6'-3 3/8" x 4' Radius C PANEL W/0 Z
5S42400XXX0	2	4' Straight PANEL W/0 Z
5S42600XXX1	1	6' Straight PANEL W/1 Z
5S42800XXX2	4	8' Straight PANEL W/2 Z



NOTE: THIS IS A NON DIVING POOL.

<b>Date:</b> 5/10/2022	<b>Perimeter:</b> 77'-1 5/8"	
<b>Drawn By:</b> JESSE H	<b>Area:</b> 378.3 SQ. FT.	
<b>Scale:</b> 1/8" = 1'-0"	<b>Notes:</b> -----	

This Information Is the confidential property of Cardinal Systems, Inc. Disclosure or duplication without proper written approval Is strictly prohibited. Acceptance and use of this drawing constitutes knowledge and acceptance by the user of the terms and conditions set forth in the notice and warning which accompanied this drawing is incorporated herein and made part hereof and Is found on Cardinal Systems, Inc's website at www.CardinalSystemsInc.com

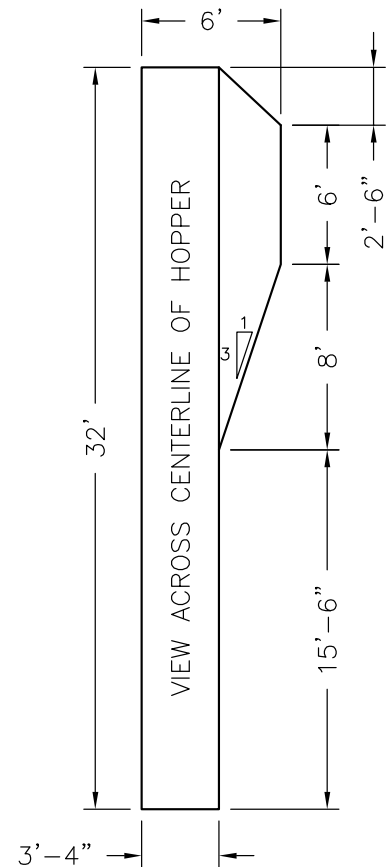
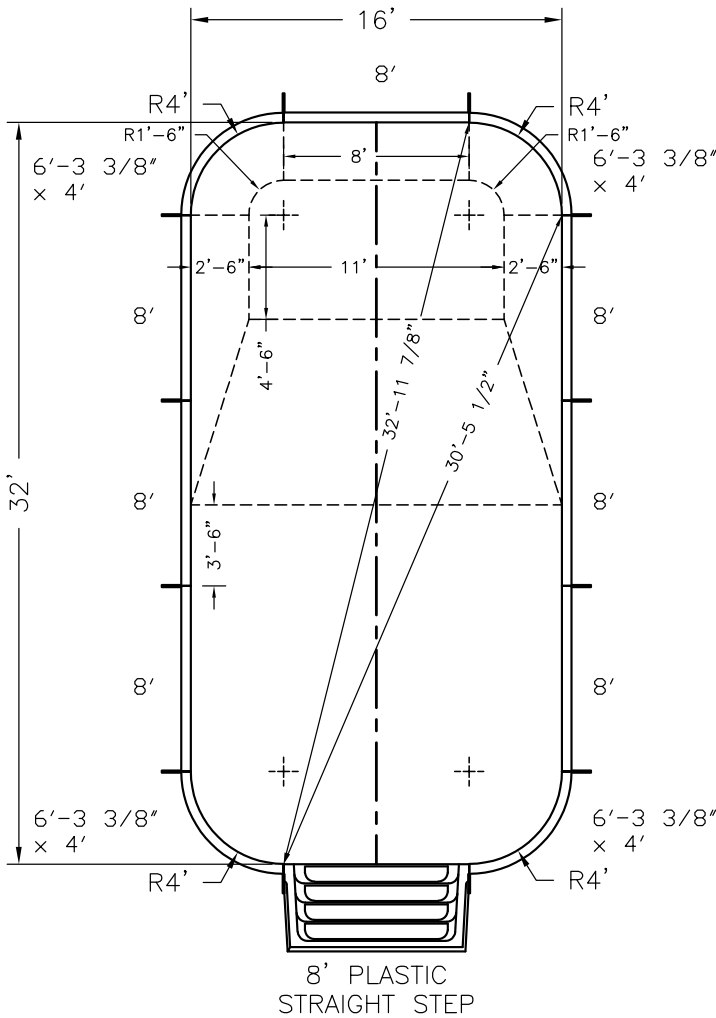


**Pool Size:** 16' X 32'  
**Pool Shape:** RECTANGLE **Approx Gal:** 15,884  
**Pool Number:** 1632RECT – 4R (PLASTIC)

250 Route 61 South, Schuylkill Haven, PA 17972 • 570-385-4733 • fax: 570-385-1318 • CustomerService@CardinalSystemsinc.com

### Bill of Materials

PART NO.	QUANTITY	DESCRIPTION
"A" FRAME	12	"A" FRAME ASSEMBLY
5C42633XX04000	4	6'-3 3/8" x 4' Radius C PANEL W/0 Z
5S42800XXX2	7	8' Straight PANEL W/2 Z



NOTE: THIS IS A NON DIVING POOL.

<b>Date:</b> 5/10/2022	<b>Perimeter:</b> 89'-1 5/8"	 cardinalpools.com
<b>Drawn By:</b> JESSE H	<b>Area:</b> 498.3 SQ. FT.	
<b>Scale:</b> 1/8" = 1'-0"	<b>Notes:</b> -----	

This information is the confidential property of Cardinal Systems, Inc. Disclosure or duplication without proper written approval is strictly prohibited. Acceptance and use of this drawing constitutes knowledge and acceptance by the user of the terms and conditions set forth in the notice and warning which accompanied this drawing is incorporated herein and made part hereof and is found on Cardinal Systems, Inc's website at www.CardinalSystemsInc.com

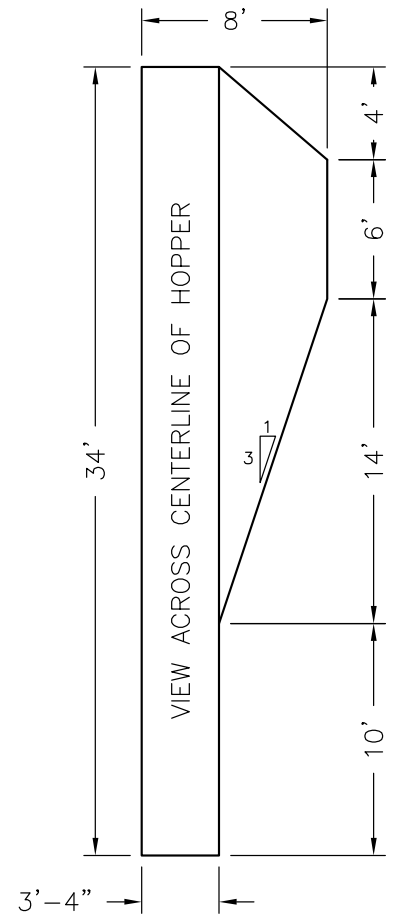
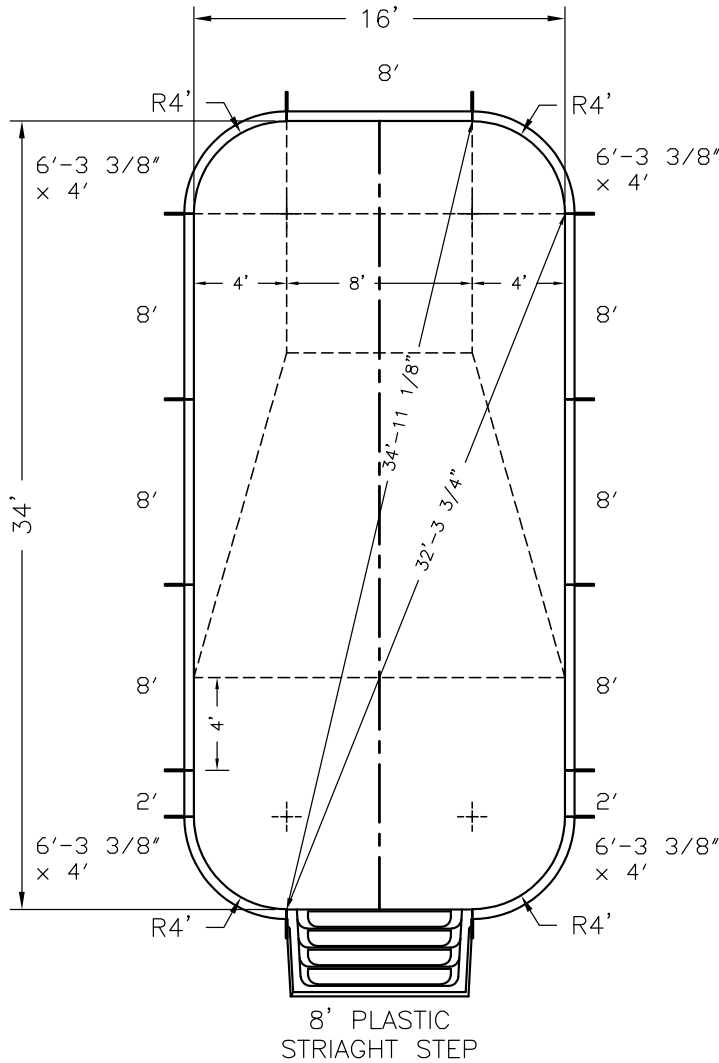


**Pool Size:** 16' X 34'  
**Pool Shape:** RECTANGLE  
**Approx Gal:** 19,290  
**Pool Number:** 1634RECT – 4R (PLASTIC)

250 Route 61 South, Schuylkill Haven, PA 17972 • 570-385-4733 • fax: 570-385-1318 • CustomerService@CardinalSystemsinc.com

Bill of Materials

PART NO.	QUANTITY	DESCRIPTION
"A" FRAME	14	"A" FRAME ASSEMBLY
5C42633XX04000	4	6'-3 3/8" x 4' Radius C PANEL W/0 Z
5S42200XXX0	2	2' Straight PANEL W/0 Z
5S42800XXX2	7	8' Straight PANEL W/2 Z



Date: 5/10/2022

Perimeter: 93'-1 5/8"

Drawn By: JESSE H

Area: 530.3 SQ. FT.

Scale: 1/8" = 1'-0"

Notes: -----



cardinalpools.com

This information is the confidential property of Cardinal Systems, Inc. Disclosure or duplication without proper written approval is strictly prohibited. Acceptance and use of this drawing constitutes knowledge and acceptance by the user of the terms and conditions set forth in the notice and warning which accompanied this drawing is incorporated herein and made part hereof and is found on Cardinal Systems, Inc's website at www.CardinalSystemsInc.com

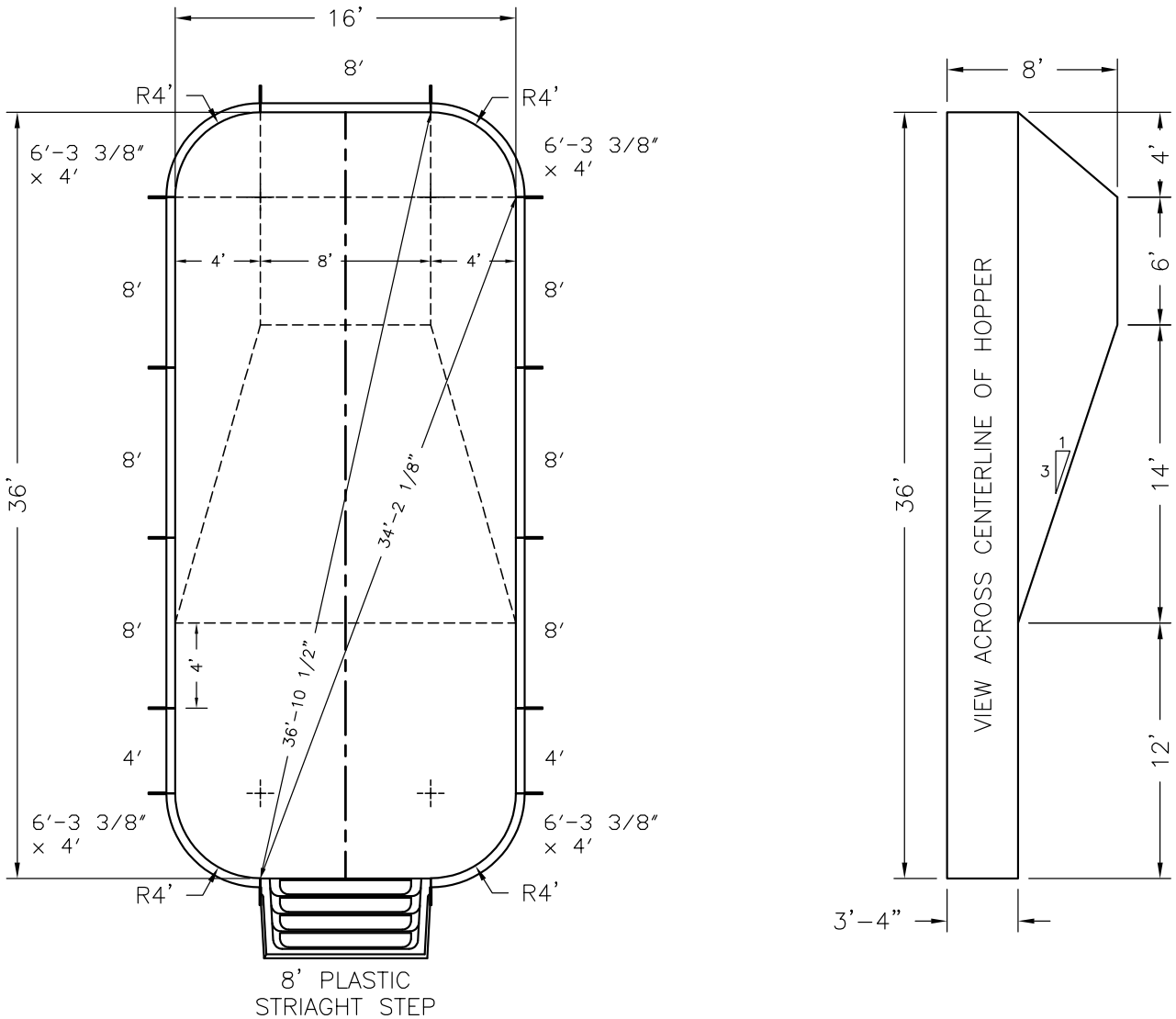


**Pool Size:** 16' X 36'  
**Pool Shape:** RECTANGLE  
**Approx Gal:** 20,454  
**Pool Number:** 1636RECT – 4R (PLASTIC)

250 Route 61 South, Schuylkill Haven, PA 17972 • 570-385-4733 • fax: 570-385-1318 • CustomerService@CardinalSystemsinc.com

### Bill of Materials

PART NO.	QUANTITY	DESCRIPTION
"A" FRAME	14	"A" FRAME ASSEMBLY
5C42633XX04000	4	6'-3 3/8" x 4' Radius C PANEL W/0 Z
5S42400XXX0	2	4' Straight PANEL W/0 Z
5S42800XXX2	7	8' Straight PANEL W/2 Z



**Date:** 5/10/2022

**Perimeter:** 97'-1 5/8"

**Drawn By:** JESSE H

**Area:** 562.3 SQ. FT.

**Scale:** 1/8" = 1'-0"

**Notes:** - - - -



cardinalpools.com

This information is the confidential property of Cardinal Systems, Inc. Disclosure or duplication without proper written approval is strictly prohibited. Acceptance and use of this drawing constitutes knowledge and acceptance by the user of the terms and conditions set forth in the notice and warning which accompanied this drawing is incorporated herein and made part hereof and is found on Cardinal Systems, Inc's website at www.CardinalSystemsInc.com

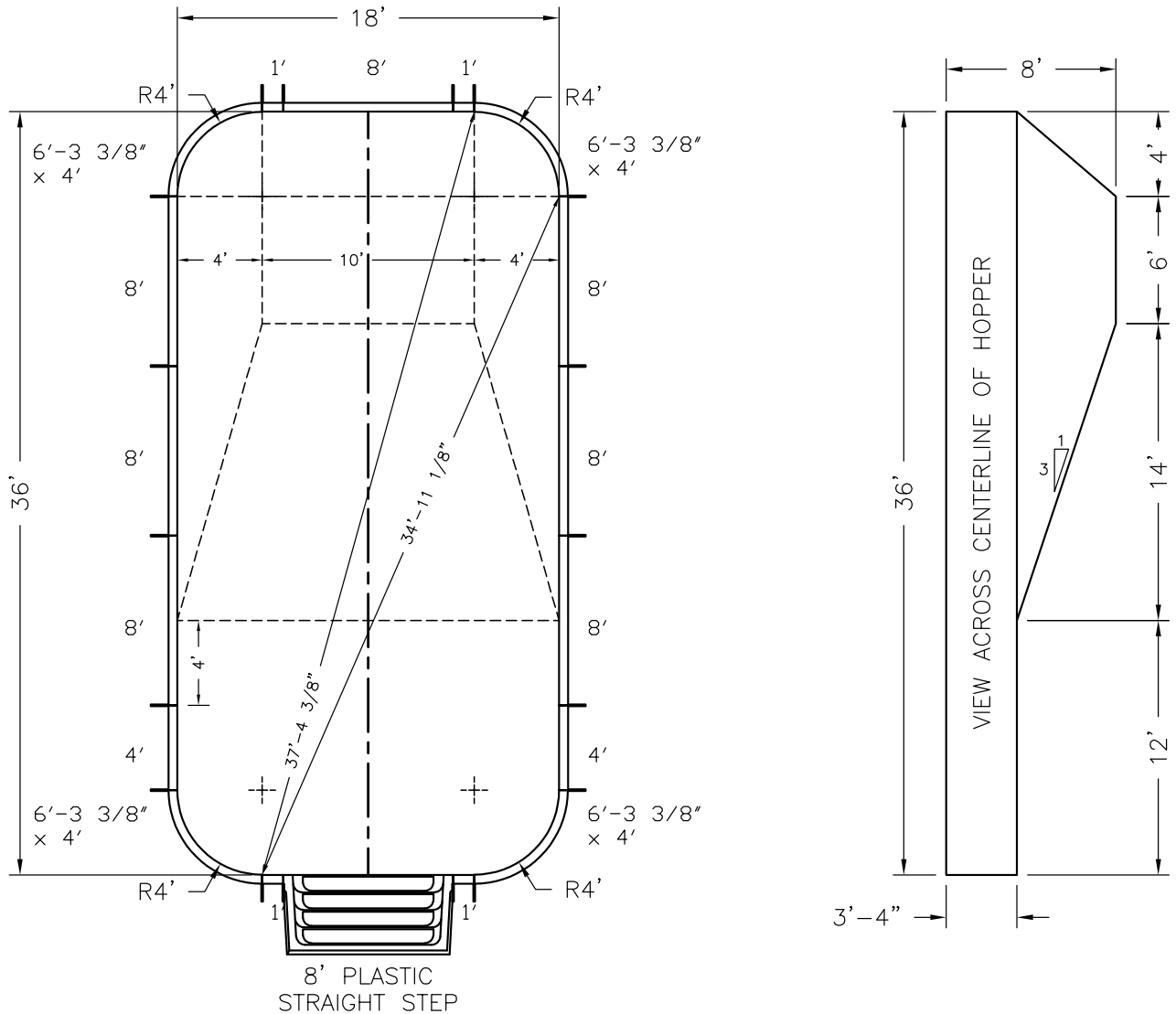


**Pool Size:** 18' X 36'  
**Pool Shape:** RECTANGLE  
**Approx Gal:** 23,073  
**Pool Number:** 1836RECT – 4R (PLASTIC)

250 Route 61 South, Schuylkill Haven, PA 17972 • 570-385-4733 • fax: 570-385-1318 • CustomerService@CardinalSystemsinc.com

Bill of Materials

PART NO.	QUANTITY	DESCRIPTION
"A" FRAME	18	"A" FRAME ASSEMBLY
5C42633XX04000	4	6'-3 3/8" x 4' Radius C PANEL W/0 Z
5S42100XXX0	4	1' Straight PANEL W/0 Z
5S42400XXX0	2	4' Straight PANEL W/0 Z
5S42800XXX2	7	8' Straight PANEL W/2 Z



Date: 5/10/2022

Perimeter: 101'-1 5/8"

Drawn By: JESSE H

Area: 634.3 SQ. FT.

Scale: 1/8" = 1'-0"

Notes: -----



cardinalpools.com

This information is the confidential property of Cardinal Systems, Inc. Disclosure or duplication without proper written approval is strictly prohibited. Acceptance and use of this drawing constitutes knowledge and acceptance by the user of the terms and conditions set forth in the notice and warning which accompanied this drawing is incorporated herein and made part hereof and is found on Cardinal Systems, Inc's website at www.CardinalSystemsInc.com

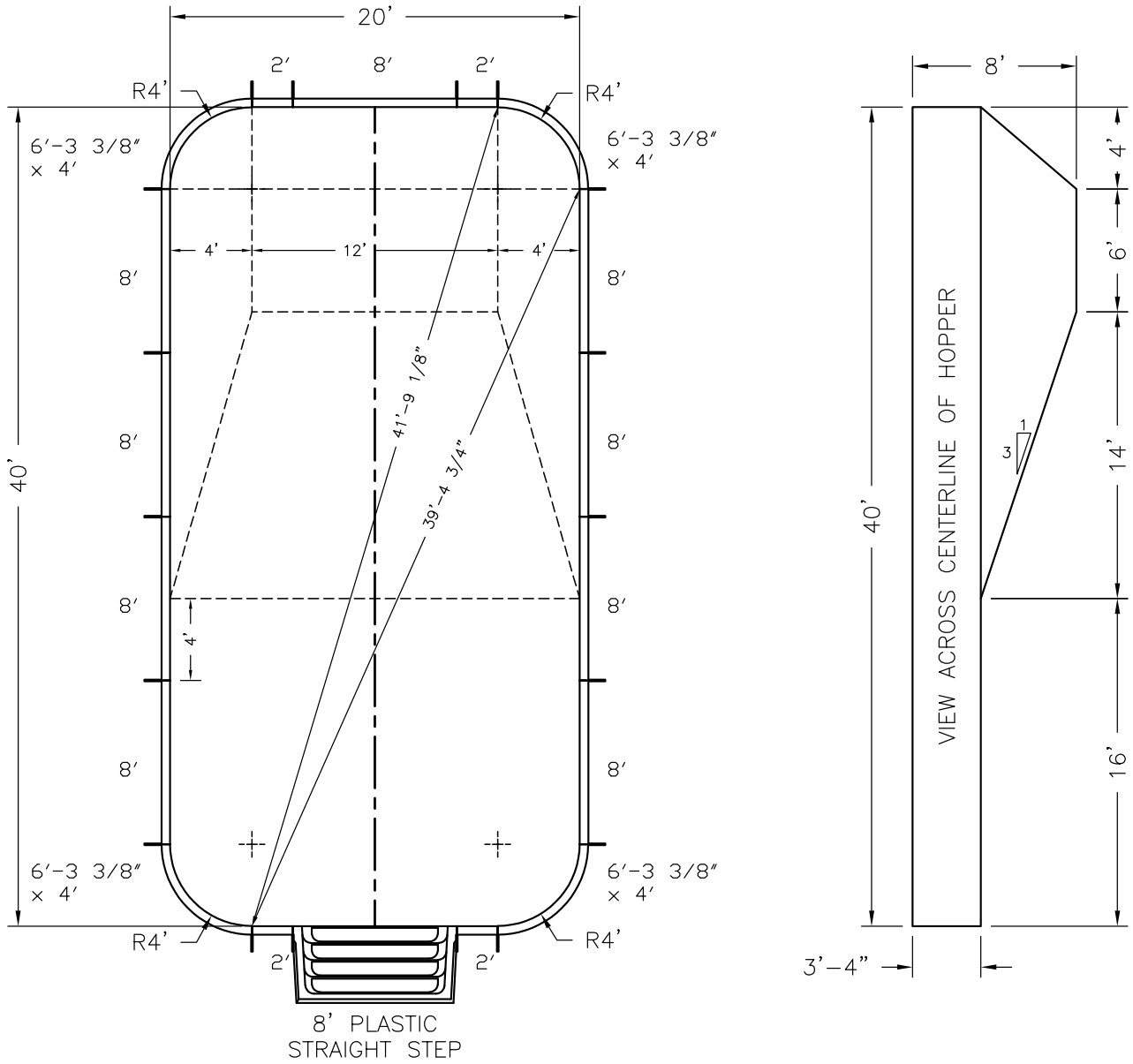


**Pool Size:** 20' X 40'  
**Pool Shape:** RECTANGLE  
**Pool Number:** 2040RECT - 4R (PLASTIC)  
**Approx Gal:** 28,602

250 Route 61 South, Schuylkill Haven, PA 17972 • 570-385-4733 • fax: 570-385-1318 • CustomerService@CardinalSystemsinc.com

Bill of Materials

PART NO.	QUANTITY	DESCRIPTION
"A" FRAME	18	"A" FRAME ASSEMBLY
5C42633XX04000	4	6'-3 3/8" x 4' Radius C PANEL W/0 Z
5S42200XXX0	4	2' Straight PANEL W/0 Z
5S42800XXX2	9	8' Straight PANEL W/2 Z



**Date:** 5/10/2022

**Drawn By:** JESSE H

**Scale:** 1/8" = 1'-0"

**Perimeter:** 113'-1 5/8"

**Area:** 786.3 SQ. FT.

**Notes:** - - - -



cardinalpools.com

This information is the confidential property of Cardinal Systems, Inc. Disclosure or duplication without proper written approval is strictly prohibited. Acceptance and use of this drawing constitutes knowledge and acceptance by the user of the terms and conditions set forth in the notice and warning which accompanied this drawing is incorporated herein and made part hereof and is found on Cardinal Systems, Inc's website at www.CardinalSystemsInc.com

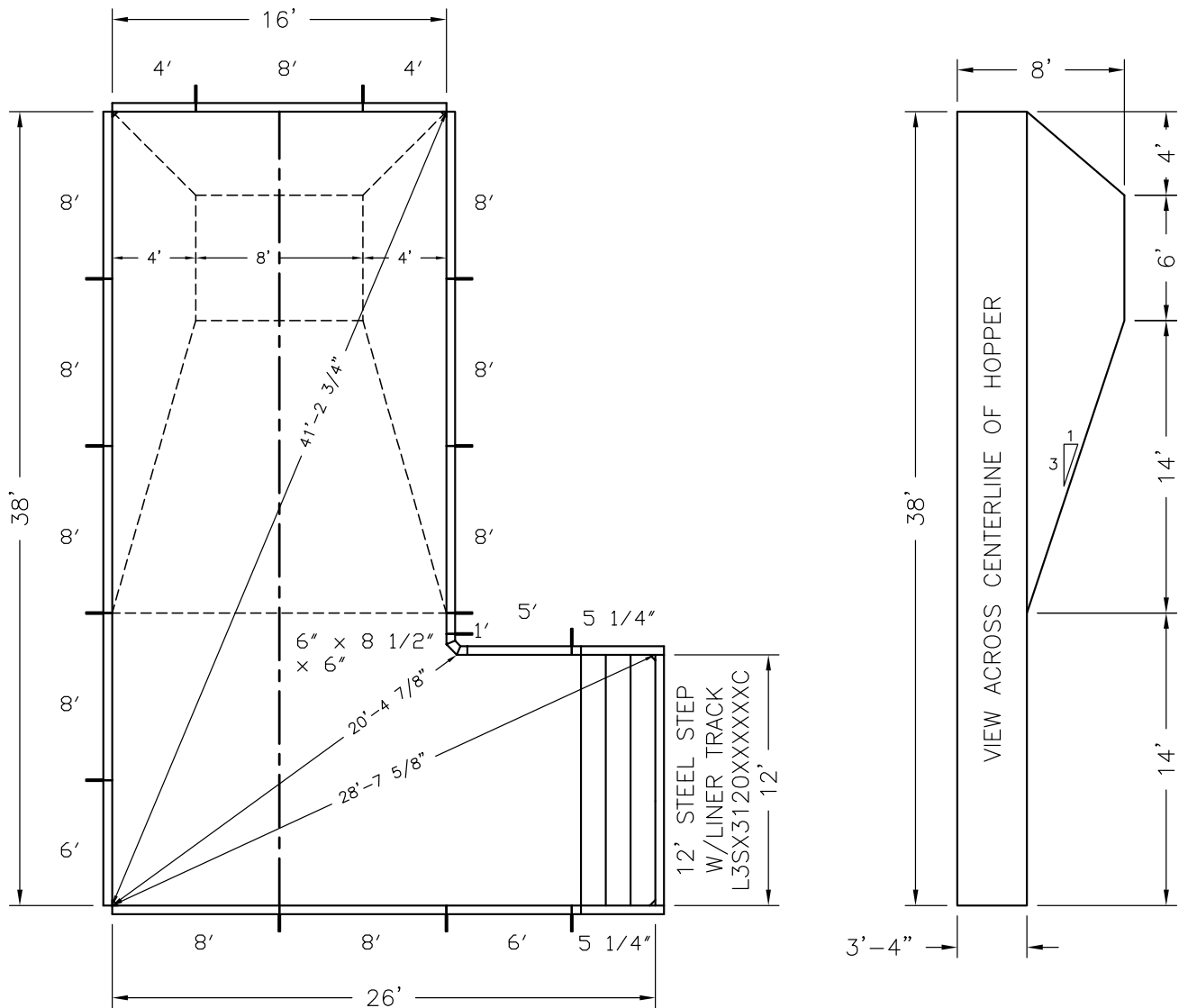


**Pool Size:** 16' X 38' X 12' X 26'  
**Pool Shape:** TRUE ELL **Approx Gal:** 26,485  
**Pool Number:** 16381226TE – 6 (STEEL L3)

250 Route 61 South, Schuylkill Haven, PA 17972 • 570-385-4733 • fax: 570-385-1318 • CustomerService@CardinalSystemsinc.com

## Bill of Materials

PART NO.	QUANTITY	DESCRIPTION
"A" FRAME	14	"A" FRAME ASSEMBLY
CS902SA	3	90 DEG CORNER ANGLE
CS902SB	3	6" RAD CORNER FILLER "BIG VEE"
L3SX3120XXXXXC	1	12' STEEL STEP W/LINER TRACK
5D42060084060	1	6" x 8 1/2" x 6"
5S42052XXX0	2	5 1/4" Straight PANEL W/0 Z
5S42100XXX0	1	1' Straight PANEL W/0 Z
5S42400XXX0	2	4' Straight PANEL W/0 Z
5S42500XXX0	1	5' Straight PANEL W/0 Z
5S42600XXX1	2	6' Straight PANEL W/1 Z
5S42800XXX2	10	8' Straight PANEL W/2 Z



**Date:** 5/10/2022

**Perimeter:** 127'-8 1/2"

**Drawn By:** JESSE H

**Area:** 728.1 SQ. FT.

**Scale:** 1/8" = 1'-0"

**Notes:** -----



cardinalpools.com

This information is the confidential property of Cardinal Systems, Inc. Disclosure or duplication without proper written approval is strictly prohibited. Acceptance and use of this drawing constitutes knowledge and acceptance by the user of the terms and conditions set forth in the notice and warning which accompanied this drawing is incorporated herein and made part hereof and is found on Cardinal Systems, Inc's website at www.CardinalSystemsInc.com

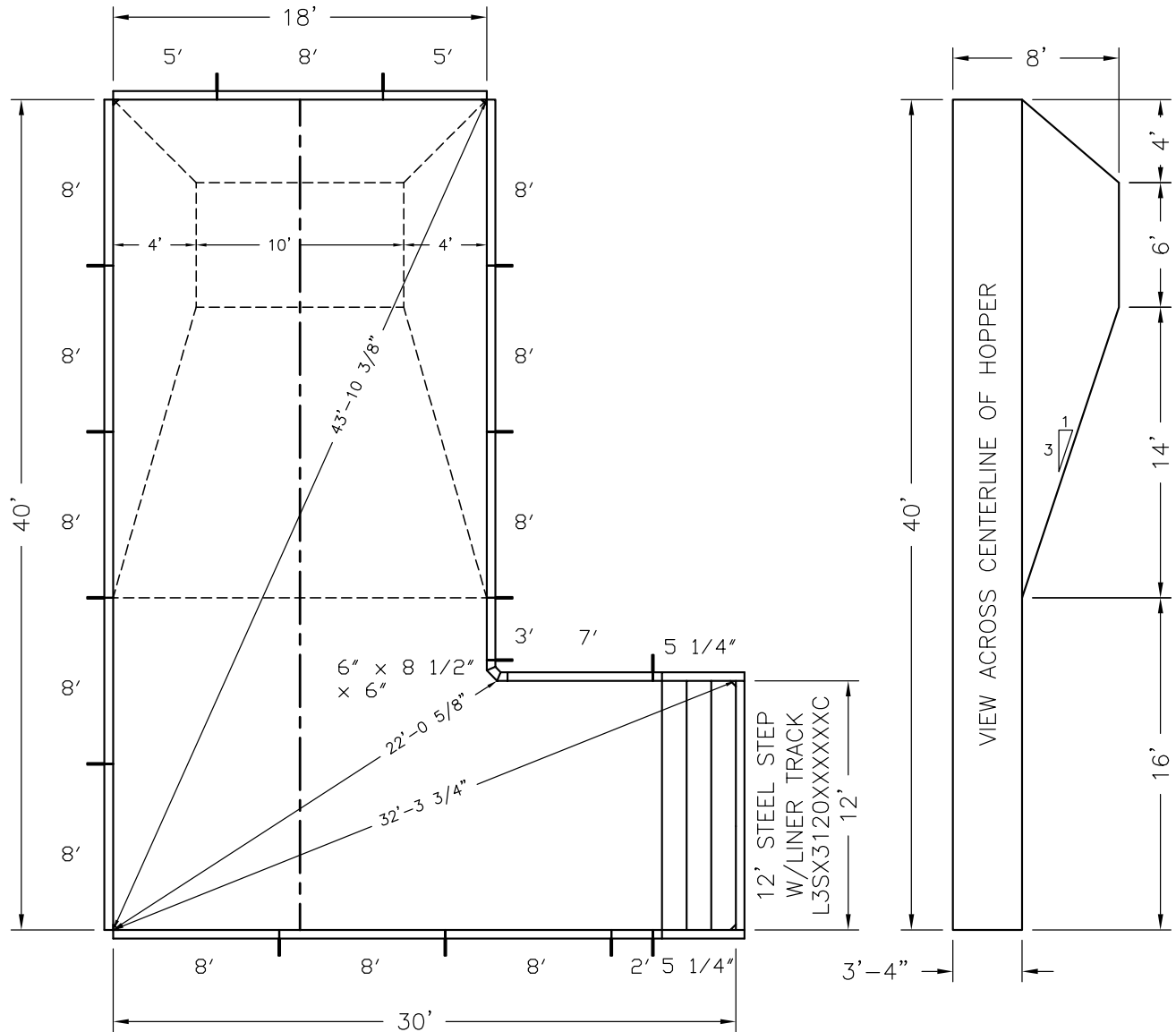


**Pool Size:** 18' X 40' X 12' X 30'  
**Pool Shape:** TRUE ELL **Approx Gal:** 31,432  
**Pool Number:** 18401230TE – 6 (STEEL L3)

250 Route 61 South, Schuylkill Haven, PA 17972 • 570-385-4733 • fax: 570-385-1318 • CustomerService@CardinalSystemsinc.com

### Bill of Materials

PART NO.	QUANTITY	DESCRIPTION
"A" FRAME	15	"A" FRAME ASSEMBLY
CS902SA	3	90 DEG CORNER ANGLE
CS902SB	3	6" RAD CORNER FILLER "BIG VEE"
L3SX3120XXXXXC	1	12' STEEL STEP W/LINER TRACK
5D42060084060	1	6" x 8 1/2" x 6"
5S42052XXX0	2	5 1/4" Straight PANEL W/0 Z
5S42200XXX0	1	2' Straight PANEL W/0 Z
5S42300XXX0	1	3' Straight PANEL W/0 Z
5S42500XXX0	2	5' Straight PANEL W/0 Z
5S42700XXX2	1	7' Straight PANEL W/2 Z
5S42800XXX2	12	8' Straight PANEL W/2 Z



Date: 5/10/2022

Perimeter: 139' - 8 1/2"

Drawn By: JESSE H

Area: 864.1 SQ. FT.

Scale: 1/8" = 1'-0"

Notes: -----



cardinalpools.com

This information is the confidential property of Cardinal Systems, Inc. Disclosure or duplication without proper written approval is strictly prohibited. Acceptance and use of this drawing constitutes knowledge and acceptance by the user of the terms and conditions set forth in the notice and warning which accompanied this drawing is incorporated herein and made part hereof and is found on Cardinal Systems, Inc's website at www.CardinalSystemsInc.com



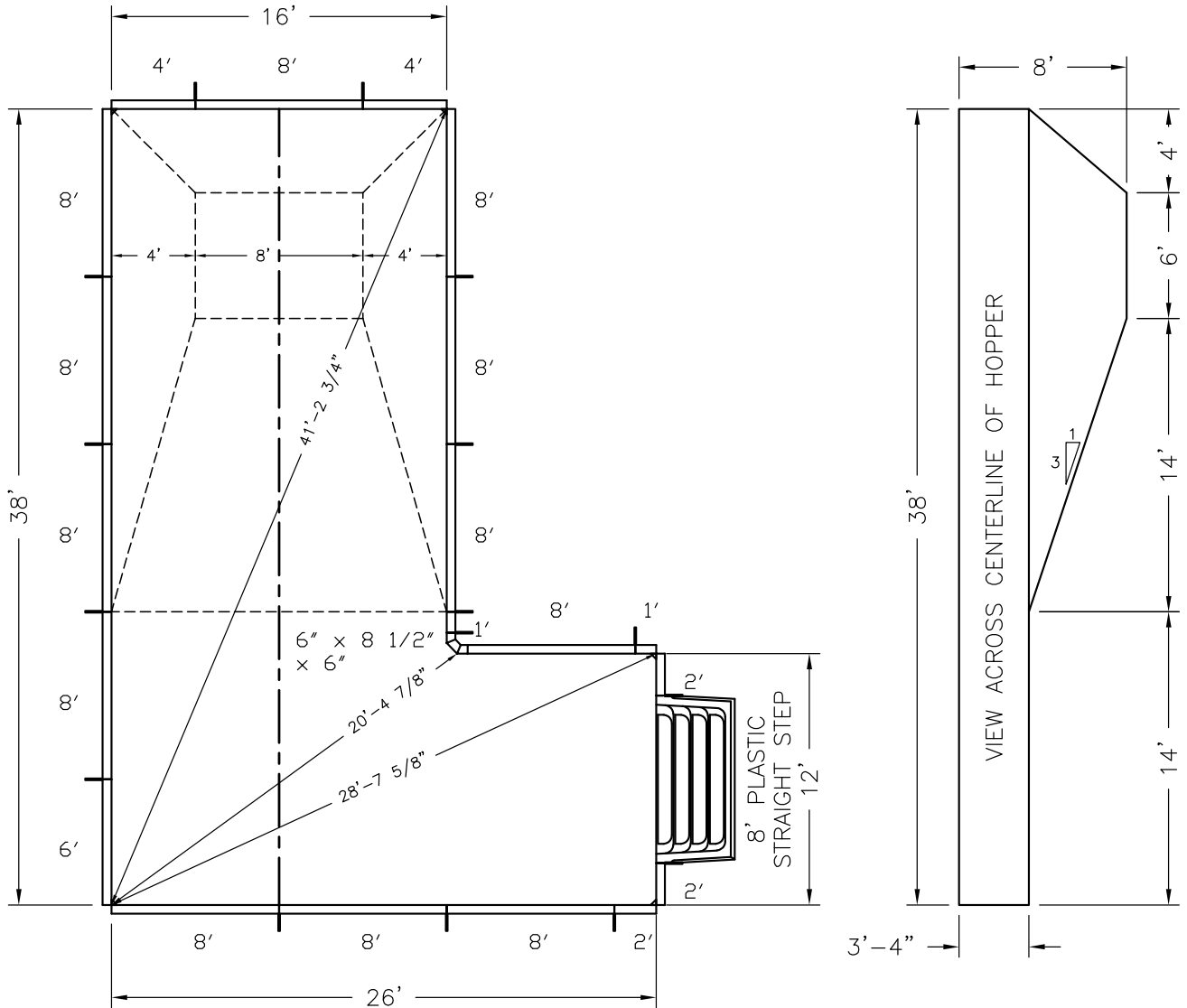



**Pool Size:** 16' X 38' X 12' X 26'  
**Pool Shape:** TRUE ELL **Approx Gal:** 26,485  
**Pool Number:** 16381226TE - 6 (PLASTIC)

250 Route 61 South, Schuylkill Haven, PA 17972 • 570-385-4733 • fax: 570-385-1318 • CustomerService@CardinalSystemsinc.com

Bill of Materials

PART NO.	QUANTITY	DESCRIPTION
"A" FRAME	16	"A" FRAME ASSEMBLY
CS902SA	5	90 DEG CORNER ANGLE
CS902SB	5	6" RAD CORNER FILLER "BIG VEE"
5D42060084060	1	6" x 8 1/2" x 6"
5S42100XXX0	2	1' Straight PANEL W/0 Z
5S42200XXX0	3	2' Straight PANEL W/0 Z
5S42400XXX0	2	4' Straight PANEL W/0 Z
5S42600XXX1	1	6' Straight PANEL W/1 Z
5S42800XXX2	12	8' Straight PANEL W/2 Z



<b>Date:</b> 5/10/2022	<b>Perimeter:</b> 127'-8 1/2"	 cardinalpools.com
<b>Drawn By:</b> JESSE H	<b>Area:</b> 728.1 SQ. FT.	
<b>Scale:</b> 1/8" = 1'-0"	<b>Notes:</b> - - - -	

This information is the confidential property of Cardinal Systems, Inc. Disclosure or duplication without proper written approval is strictly prohibited. Acceptance and use of this drawing constitutes knowledge and acceptance by the user of the terms and conditions set forth in the notice and warning which accompanied this drawing is incorporated herein and made part hereof and is found on Cardinal Systems, Inc's website at www.CardinalSystemsInc.com

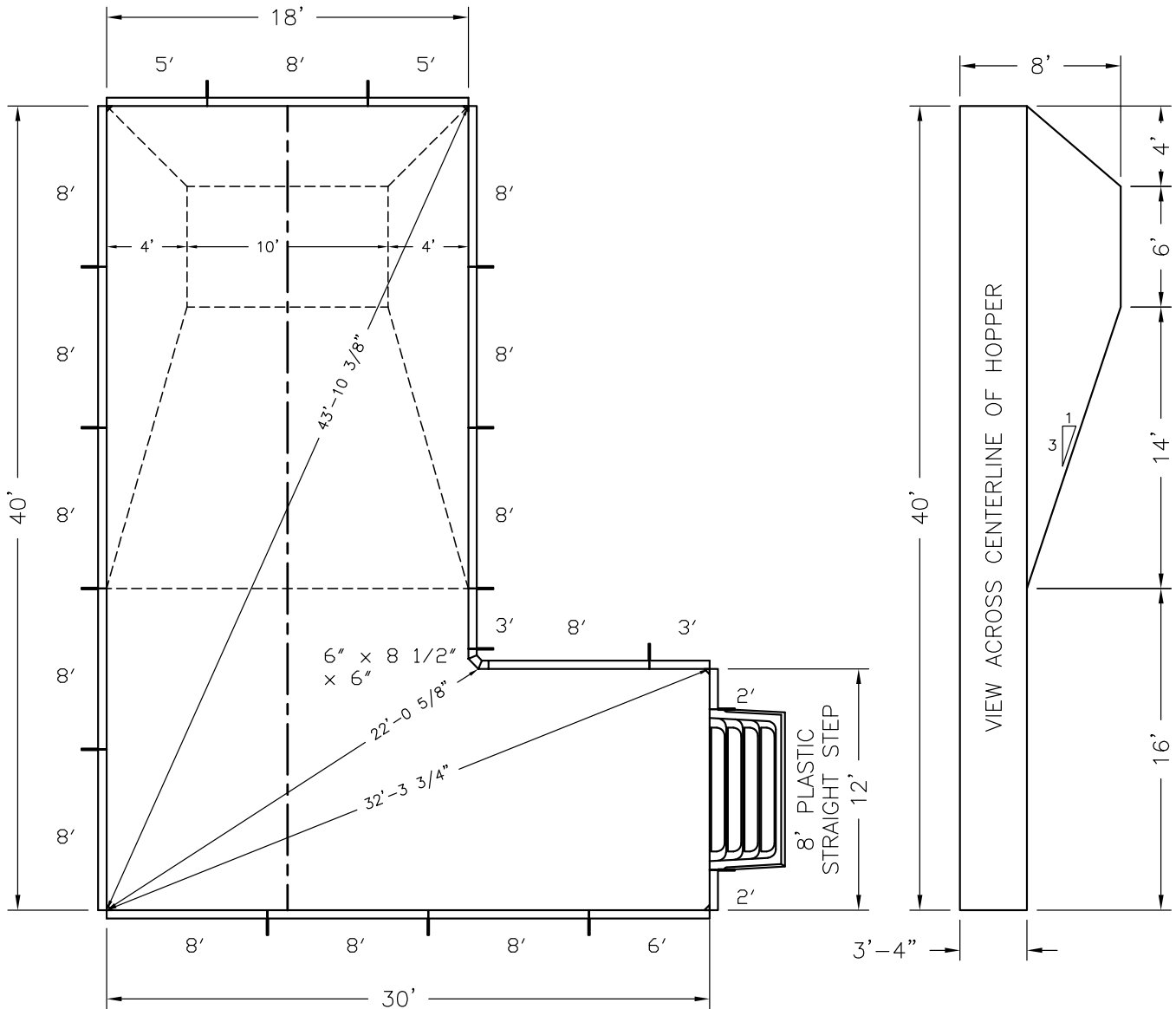


**Pool Size:** 18' X 40' X 12' X 30'  
**Pool Shape:** TRUE ELL **Approx Gal:** 31,432  
**Pool Number:** 18401230TE – 6 (PLASTIC)

250 Route 61 South, Schuylkill Haven, PA 17972 • 570-385-4733 • fax: 570-385-1318 • CustomerService@CardinalSystemsinc.com

### Bill of Materials

PART NO.	QUANTITY	DESCRIPTION
"A" FRAME	16	"A" FRAME ASSEMBLY
CS902SA	5	90 DEG CORNER ANGLE
CS902SB	5	6" RAD CORNER FILLER "BIG VEE"
5D42060084060	1	6" x 8 1/2" x 6"
5S42200XXX0	2	2' Straight PANEL W/0 Z
5S42300XXX0	2	3' Straight PANEL W/0 Z
5S42500XXX0	2	5' Straight PANEL W/0 Z
5S42600XXX1	1	6' Straight PANEL W/1 Z
5S42800XXX2	13	8' Straight PANEL W/2 Z



Date: 5/10/2022

Perimeter: 139' - 8 1/2"

Drawn By: JESSE H

Area: 864.1 SQ. FT.

Scale: 1/8" = 1'-0"

Notes: -----



cardinalpools.com

This information is the confidential property of Cardinal Systems, Inc. Disclosure or duplication without proper written approval is strictly prohibited. Acceptance and use of this drawing constitutes knowledge and acceptance by the user of the terms and conditions set forth in the notice and warning which accompanied this drawing is incorporated herein and made part hereof and is found on Cardinal Systems, Inc's website at www.CardinalSystemsInc.com

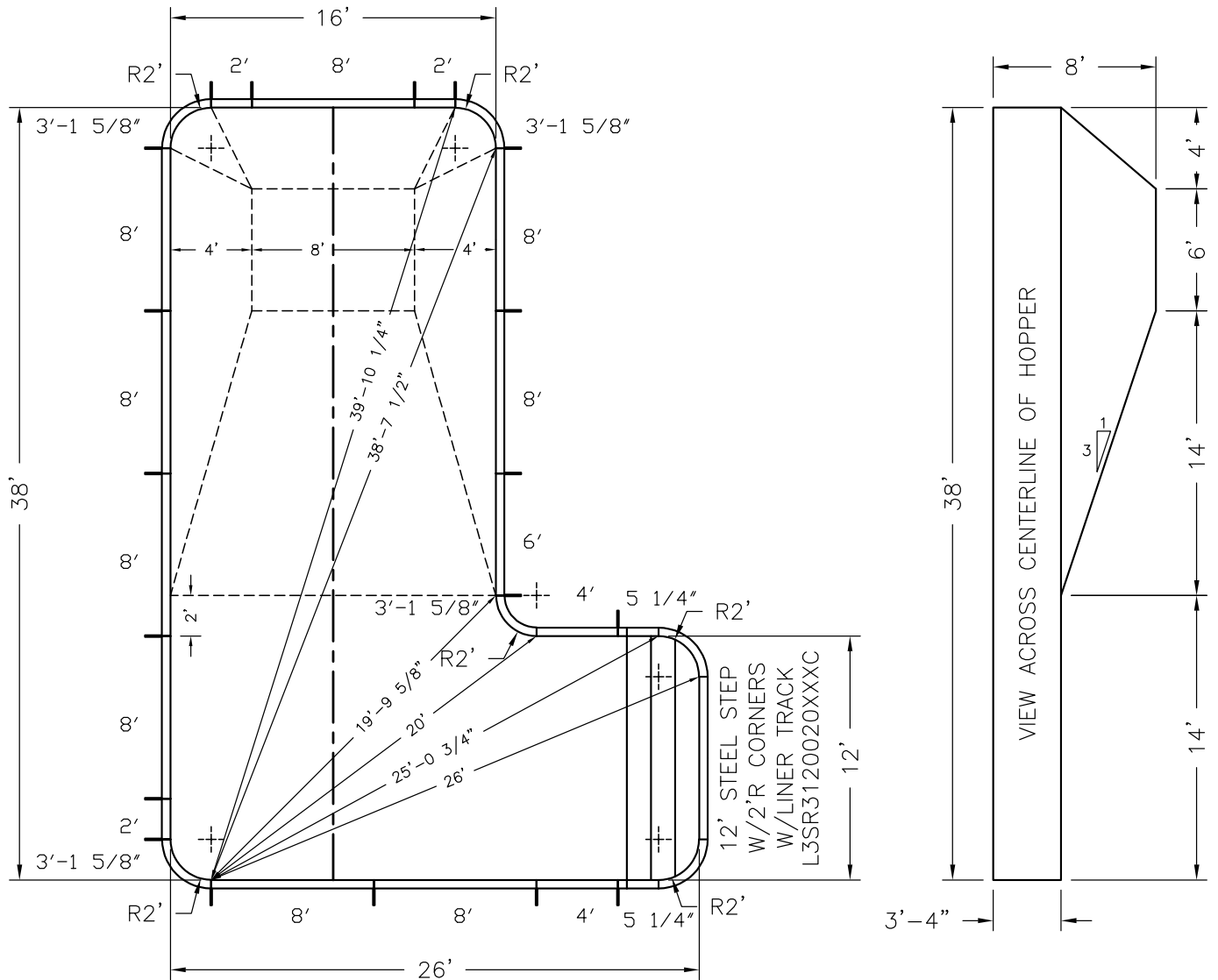


**Pool Size:** 16' X 38' X 12' X 26'  
**Pool Shape:** TRUE ELL **Approx Gal:** 31,305  
**Pool Number:** 16381226TE - 2R (STEEL L3)

250 Route 61 South, Schuylkill Haven, PA 17972 • 570-385-4733 • fax: 570-385-1318 • CustomerService@CardinalSystemsinc.com

Bill of Materials

PART NO.	QUANTITY	DESCRIPTION
"A" FRAME	19	"A" FRAME ASSEMBLY
5C42315XX02000	3	2' RADIUS CORNER
5R42315XX02000	1	2' REV. RADIUS PANEL
L3SR3120020XXXC	1	12' STEEL STEP W/2' RADIUS CORNERS W/LINER TRACK
5S42052XXX0	2	5 1/4" Straight PANEL W/0 Z
5S42200XXX0	3	2' Straight PANEL W/0 Z
5S42400XXX0	2	4' Straight PANEL W/0 Z
5S42600XXX1	1	6' Straight PANEL W/1 Z
5S42800XXX2	9	8' Straight PANEL W/2 Z



**Date:** 5/10/2022

**Perimeter:** 122'-10 1/4"

**Drawn By:** JESSE H

**Area:** 724.6 SQ. FT.

**Scale:** 1/8" = 1'-0"

**Notes:** - - - -



cardinalpools.com

This information is the confidential property of Cardinal Systems, Inc. Disclosure or duplication without proper written approval is strictly prohibited. Acceptance and use of this drawing constitutes knowledge and acceptance by the user of the terms and conditions set forth in the notice and warning which accompanied this drawing is incorporated herein and made part hereof and is found on Cardinal Systems, Inc's website at www.CardinalSystemsInc.com

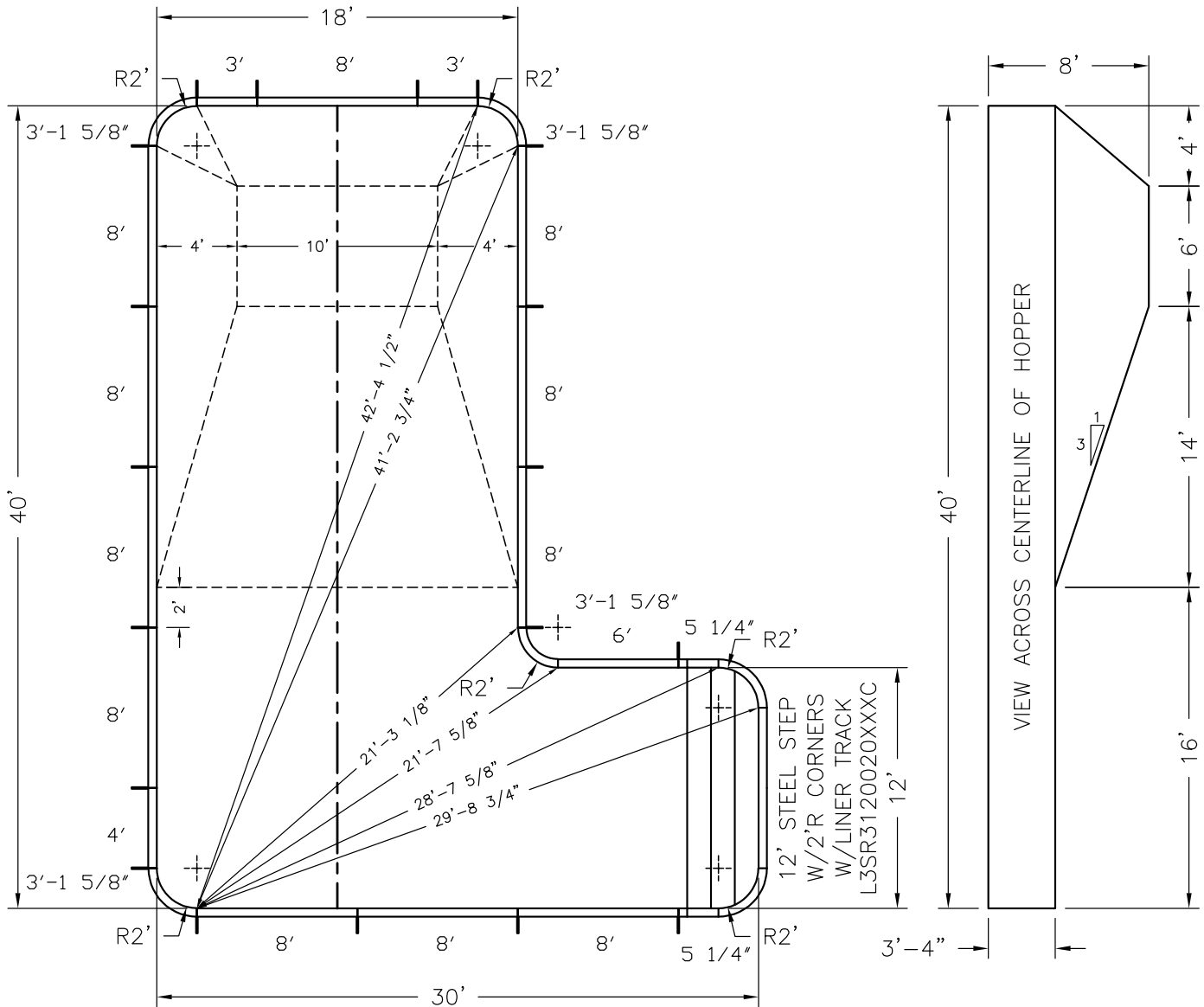


**Pool Size:** 18' X 40' X 12' X 30'  
**Pool Shape:** TRUE ELL **Approx Gal:** 31,305  
**Pool Number:** 18401230TE - 2R (STEEL L3)

250 Route 61 South, Schuylkill Haven, PA 17972 • 570-385-4733 • fax: 570-385-1318 • CustomerService@CardinalSystemsinc.com

### Bill of Materials

PART NO.	QUANTITY	DESCRIPTION
"A" FRAME	19	"A" FRAME ASSEMBLY
5C42315XX02000	3	2' RADIUS CORNER
5R42315XX02000	1	2' REV. RADIUS PANEL
L3SR3120020XXXX	1	12' STEEL STEP W/2' RADIUS CORNERS W/LINER TRACK
5S42052XXX0	2	5 1/4" Straight PANEL W/0 Z
5S42300XXX0	2	3' Straight PANEL W/0 Z
5S42400XXX0	1	4' Straight PANEL W/0 Z
5S42600XXX1	1	6' Straight PANEL W/1 Z
5S42800XXX2	11	8' Straight PANEL W/2 Z



Date: 5/10/2022

Perimeter: 134'-10 1/4"

Drawn By: JESSE H

Area: 860.6 SQ. FT.

Scale: 1/8" = 1'-0"

Notes: -----



cardinalpools.com

This information is the confidential property of Cardinal Systems, Inc. Disclosure or duplication without proper written approval is strictly prohibited. Acceptance and use of this drawing constitutes knowledge and acceptance by the user of the terms and conditions set forth in the notice and warning which accompanied this drawing is incorporated herein and made part hereof and is found on Cardinal Systems, Inc's website at www.CardinalSystemsInc.com

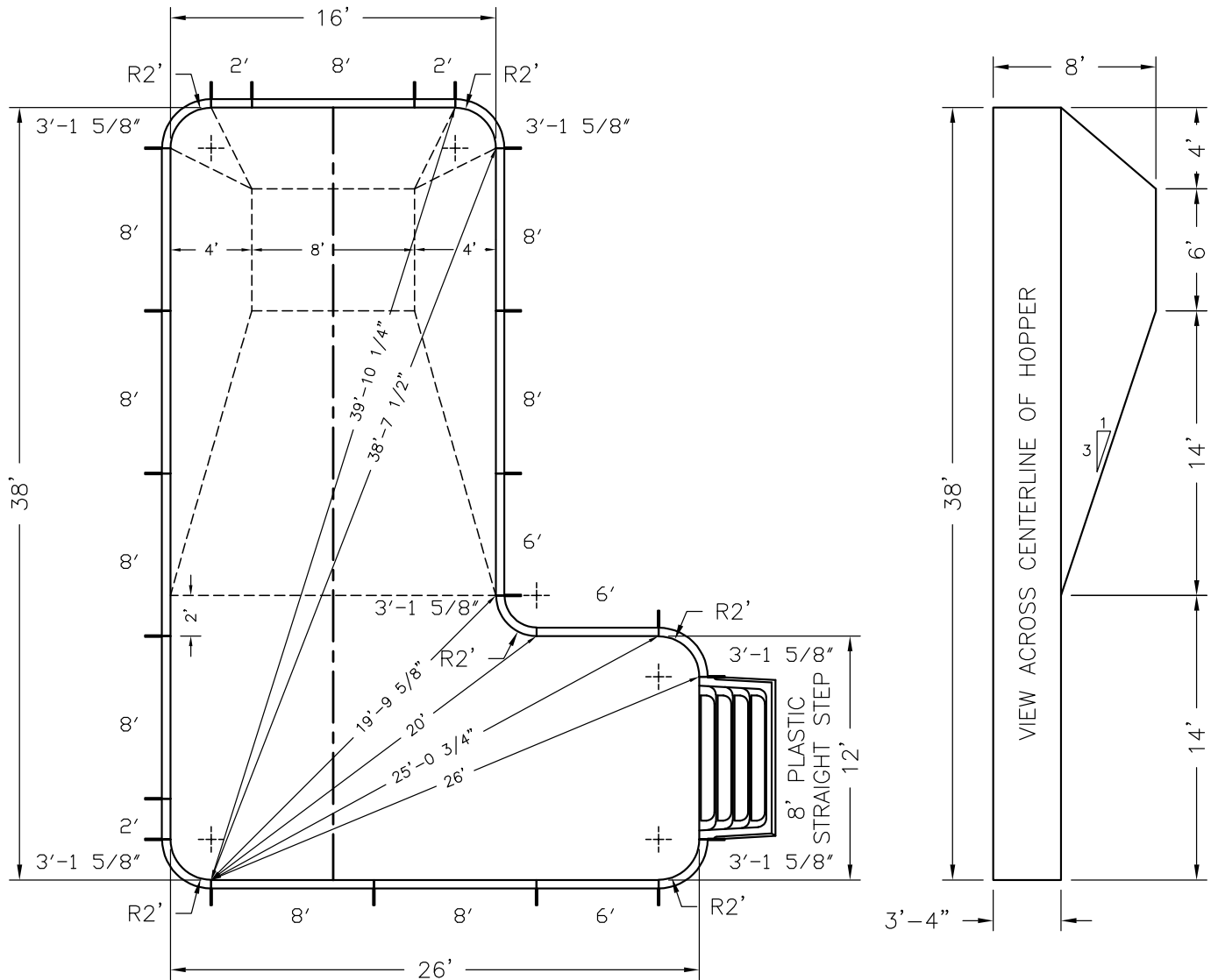


**Pool Size:** 16' X 38' X 12' X 26'  
**Pool Shape:** TRUE ELL **Approx Gal:** 26,358  
**Pool Number:** 16381226TE – 2R (PLASTIC)

250 Route 61 South, Schuylkill Haven, PA 17972 • 570-385-4733 • fax: 570-385-1318 • CustomerService@CardinalSystemsinc.com

Bill of Materials

PART NO.	QUANTITY	DESCRIPTION
"A" FRAME	21	"A" FRAME ASSEMBLY
5C42315XX02000	5	2' RADIUS CORNER
5R42315XX02000	1	2' REV. RADIUS PANEL
5S42200XXX0	3	2' Straight PANEL W/0 Z
5S42600XXX1	3	6' Straight PANEL W/1 Z
5S42800XXX2	9	8' Straight PANEL W/2 Z



**Date:** 5/10/2022

**Perimeter:** 122'-10 1/4"

**Drawn By:** JESSE H

**Area:** 724.6 SQ. FT.

**Scale:** 1/8" = 1'-0"

**Notes:** - - - -



cardinalpools.com

This information is the confidential property of Cardinal Systems, Inc. Disclosure or duplication without proper written approval is strictly prohibited. Acceptance and use of this drawing constitutes knowledge and acceptance by the user of the terms and conditions set forth in the notice and warning which accompanied this drawing is incorporated herein and made part hereof and is found on Cardinal Systems, Inc's website at www.CardinalSystemsInc.com



**Pool Size:** 18' X 40' X 12' X 30'

**Pool Shape:** TRUE ELL

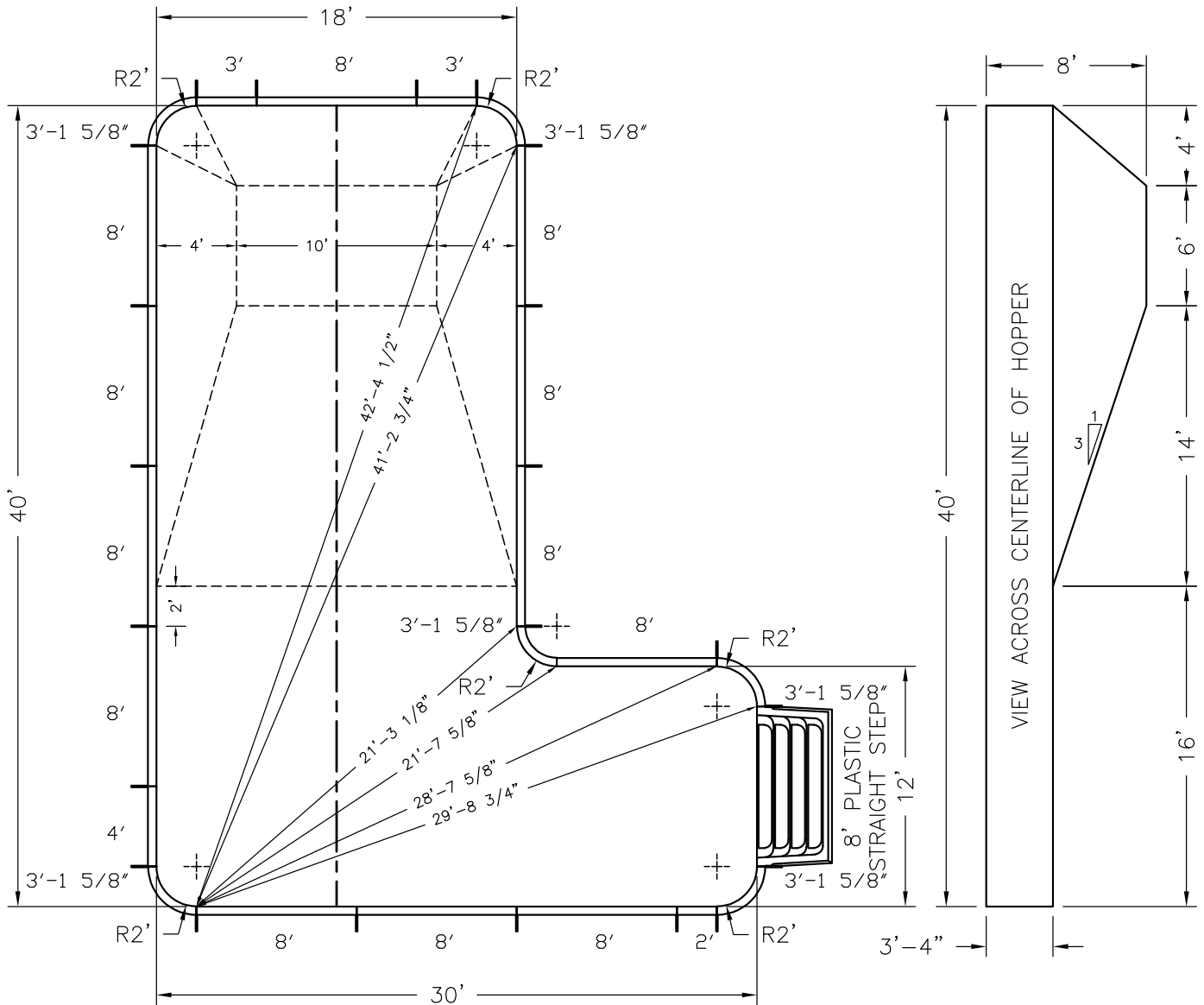
**Approx Gal:** 31,305

**Pool Number:** 18401230TE – 2R (PLASTIC)

250 Route 61 South, Schuylkill Haven, PA 17972 • 570-385-4733 • fax: 570-385-1318 • CustomerService@CardinalSystemsinc.com

Bill of Materials

PART NO.	QUANTITY	DESCRIPTION
"A" FRAME	22	"A" FRAME ASSEMBLY
5C42315XX02000	5	2' RADIUS CORNER
5R42315XX02000	1	2' REV. RADIUS PANEL
5S42200XXX0	1	2' Straight PANEL W/0 Z
5S42300XXX0	2	3' Straight PANEL W/0 Z
5S42400XXX0	1	4' Straight PANEL W/0 Z
5S42800XXX2	12	8' Straight PANEL W/2 Z



**Date:** 5/10/2022

**Perimeter:** 134'-10 1/4"

**Drawn By:** JESSE H

**Area:** 860.6 SQ. FT.

**Scale:** 1/8" = 1'-0"

**Notes:** -----



cardinalpools.com

This information is the confidential property of Cardinal Systems, Inc. Disclosure or duplication without proper written approval is strictly prohibited. Acceptance and use of this drawing constitutes knowledge and acceptance by the user of the terms and conditions set forth in the notice and warning which accompanied this drawing is incorporated herein and made part hereof and is found on Cardinal Systems, Inc's website at www.CardinalSystemsInc.com

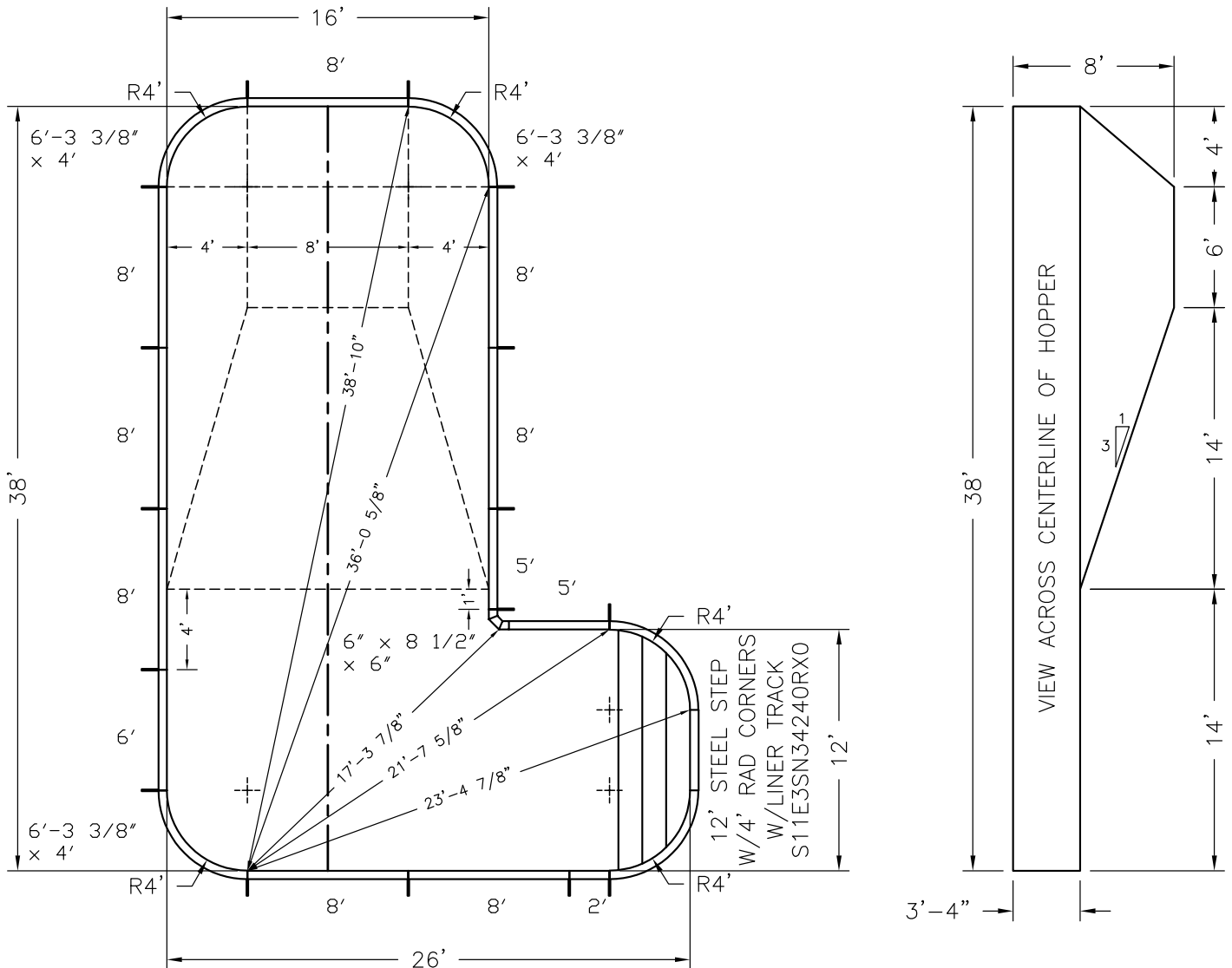


**Pool Size:** 16' X 38' X 12' X 26'  
**Pool Shape:** TRUE ELL  
**Approx Gal:** 25,863  
**Pool Number:** 16381226TE - 4R (STEEL)

250 Route 61 South, Schuylkill Haven, PA 17972 • 570-385-4733 • fax: 570-385-1318 • CustomerService@CardinalSystemsinc.com

### Bill of Materials

PART NO.	QUANTITY	DESCRIPTION
"A" FRAME	16	"A" FRAME ASSEMBLY
S11E3SN34240RX0	1	12' STEEL STEP W/4' RADIUS CORNERS W/LINER TRACK
5D42060084060	1	6" x 8 1/2" x 6"
5C42633XX04000	3	6'-3 3/8" x 4' Radius C PANEL W/0 Z
5S42200XXX0	1	2' Straight PANEL W/0 Z
5S42500XXX0	2	5' Straight PANEL W/0 Z
5S42600XXX1	1	6' Straight PANEL W/1 Z
5S42800XXX2	8	8' Straight PANEL W/2 Z



**Date:** 5/10/2022

**Perimeter:** 119'-1 1/2"

**Drawn By:** JESSE H

**Area:** 711.0 SQ. FT.

**Scale:** 1/8" = 1'-0"

**Notes:** - - - -



cardinalpools.com

This information is the confidential property of Cardinal Systems, Inc. Disclosure or duplication without proper written approval is strictly prohibited. Acceptance and use of this drawing constitutes knowledge and acceptance by the user of the terms and conditions set forth in the notice and warning which accompanied this drawing is incorporated herein and made part hereof and is found on Cardinal Systems, Inc's website at www.CardinalSystemsInc.com

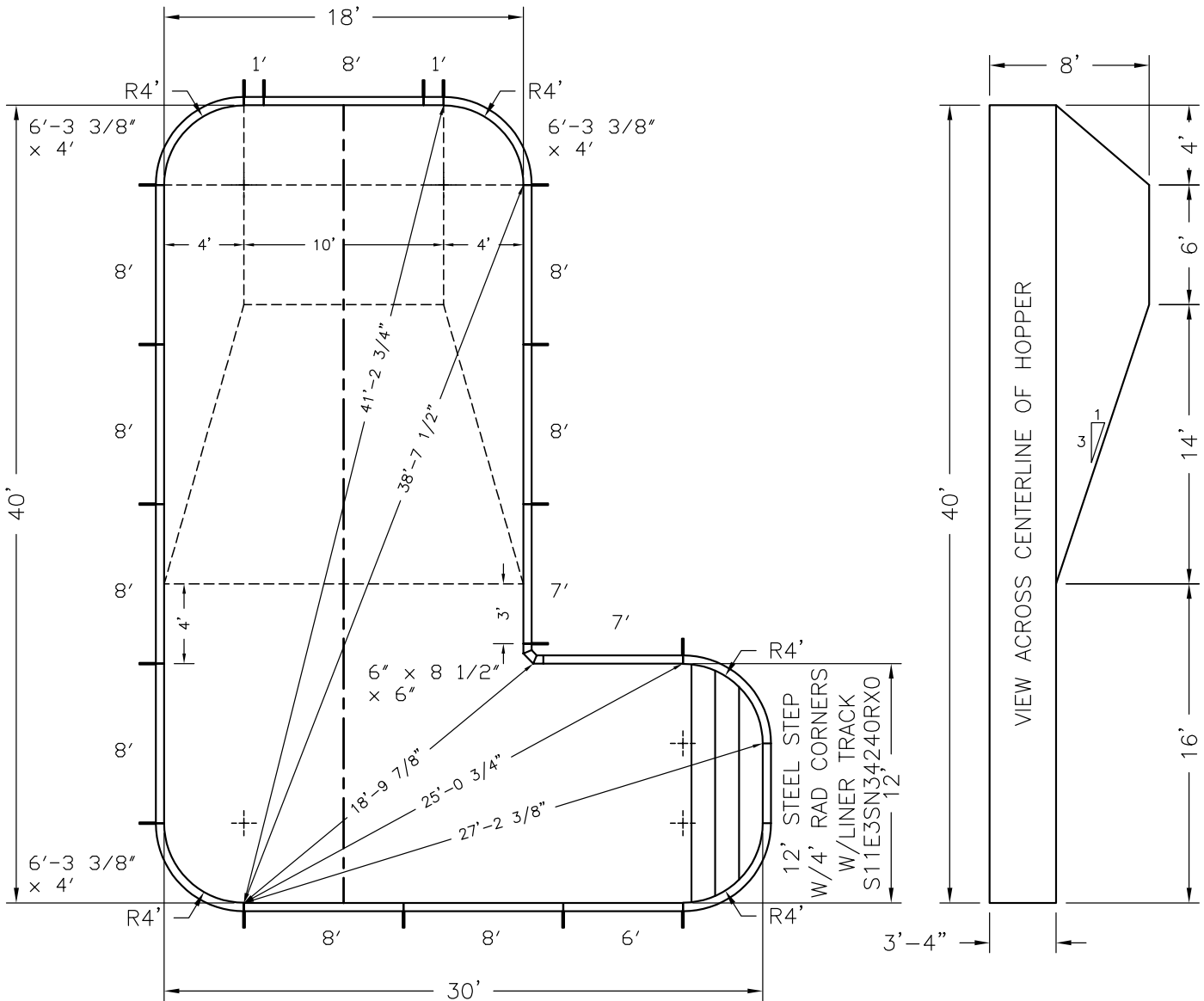


**Pool Size:** 18' X 40' X 12' X 30'  
**Pool Shape:** TRUE ELL  
**Approx Gal:** 30,810  
**Pool Number:** 18401230TE - 4R (STEEL)

250 Route 61 South, Schuylkill Haven, PA 17972 • 570-385-4733 • fax: 570-385-1318 • CustomerService@CardinalSystemsinc.com

### Bill of Materials

PART NO.	QUANTITY	DESCRIPTION
"A" FRAME	18	"A" FRAME ASSEMBLY
S11E3SN34240RX0	1	12' STEEL STEP W/4' RADIUS CORNERS W/LINER TRACK
5D42060084060	1	6" x 8 1/2" x 6"
5C42633XX04000	3	6'-3 3/8" x 4' Radius C PANEL W/0 Z
5S42100XXX0	2	1' Straight PANEL W/0 Z
5S42600XXX1	1	6' Straight PANEL W/1 Z
5S42700XXX2	2	7' Straight PANEL W/2 Z
5S42800XXX2	9	8' Straight PANEL W/2 Z



Date: 5/10/2022

Perimeter: 131'-1 1/2"

Drawn By: JESSE H

Area: 847.0 SQ. FT.

Scale: 1/8" = 1'-0"

Notes: -----



cardinalpools.com

This information is the confidential property of Cardinal Systems, Inc. Disclosure or duplication without proper written approval is strictly prohibited. Acceptance and use of this drawing constitutes knowledge and acceptance by the user of the terms and conditions set forth in the notice and warning which accompanied this drawing is incorporated herein and made part hereof and is found on Cardinal Systems, Inc's website at www.CardinalSystemsInc.com



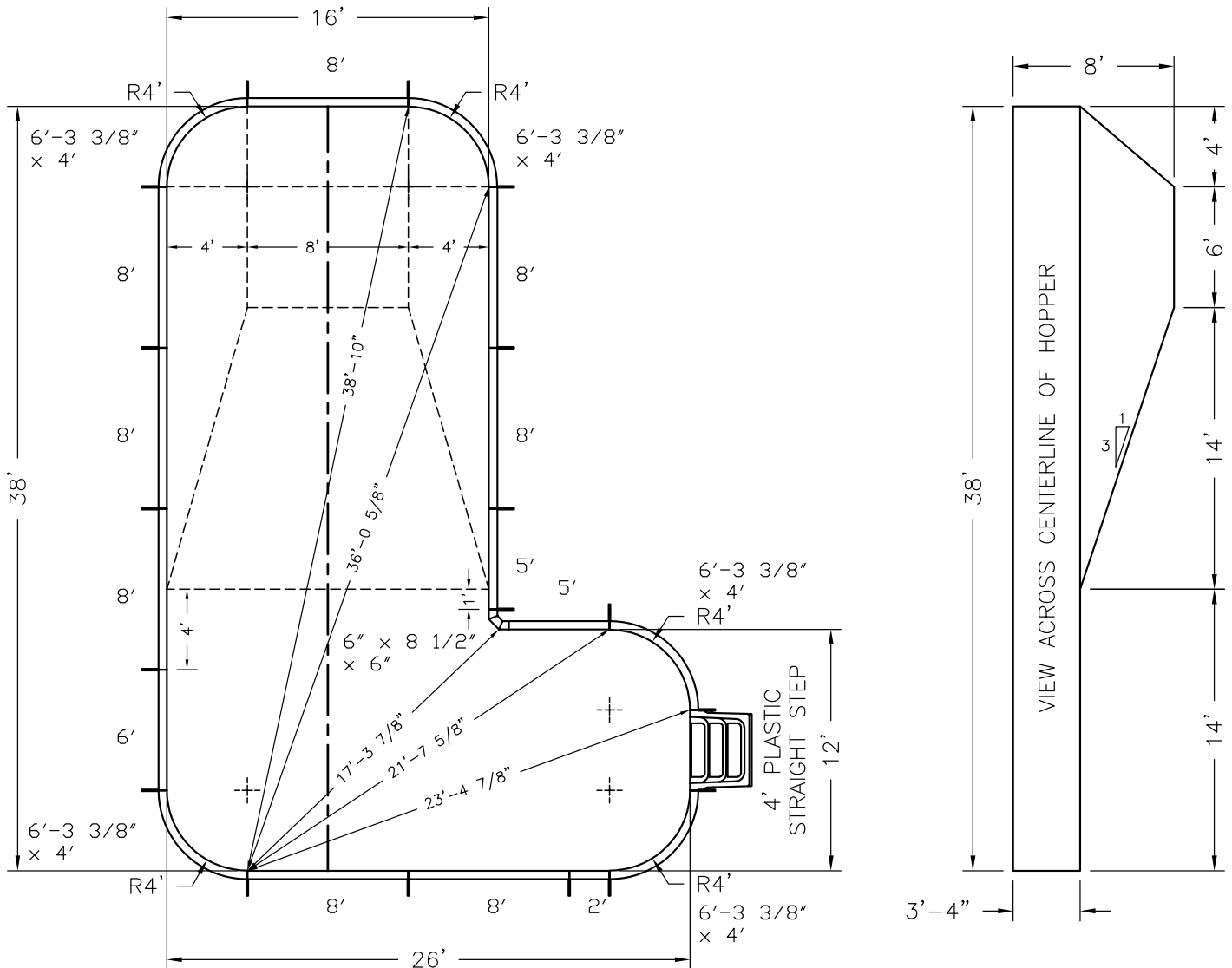



**Pool Size:** 16' X 38' X 12' X 26'  
**Pool Shape:** TRUE ELL **Approx Gal:** 25,863  
**Pool Number:** 16381226TE – 4R (PLASTIC)

250 Route 61 South, Schuylkill Haven, PA 17972 • 570-385-4733 • fax: 570-385-1318 • CustomerService@CardinalSystemsinc.com

Bill of Materials

PART NO.	QUANTITY	DESCRIPTION
"A" FRAME	18	"A" FRAME ASSEMBLY
5D42060084060	1	6" x 8 1/2" x 6"
5C42633XX04000	5	6'-3 3/8" x 4' Radius C PANEL W/O Z
5S42200XXX0	1	2' Straight PANEL W/O Z
5S42500XXX0	2	5' Straight PANEL W/O Z
5S42600XXX1	1	6' Straight PANEL W/O Z
5S42800XXX2	8	8' Straight PANEL W/O Z



<b>Date:</b> 5/10/2022	<b>Perimeter:</b> 119'-1 1/2"	 cardinalpools.com
<b>Drawn By:</b> JESSE H	<b>Area:</b> 711.0 SQ. FT.	
<b>Scale:</b> 1/8" = 1'-0"	<b>Notes:</b> - - - -	

This information is the confidential property of Cardinal Systems, Inc. Disclosure or duplication without proper written approval is strictly prohibited. Acceptance and use of this drawing constitutes knowledge and acceptance by the user of the terms and conditions set forth in the notice and warning which accompanied this drawing is incorporated herein and made part hereof and is found on Cardinal Systems, Inc's website at www.CardinalSystemsInc.com

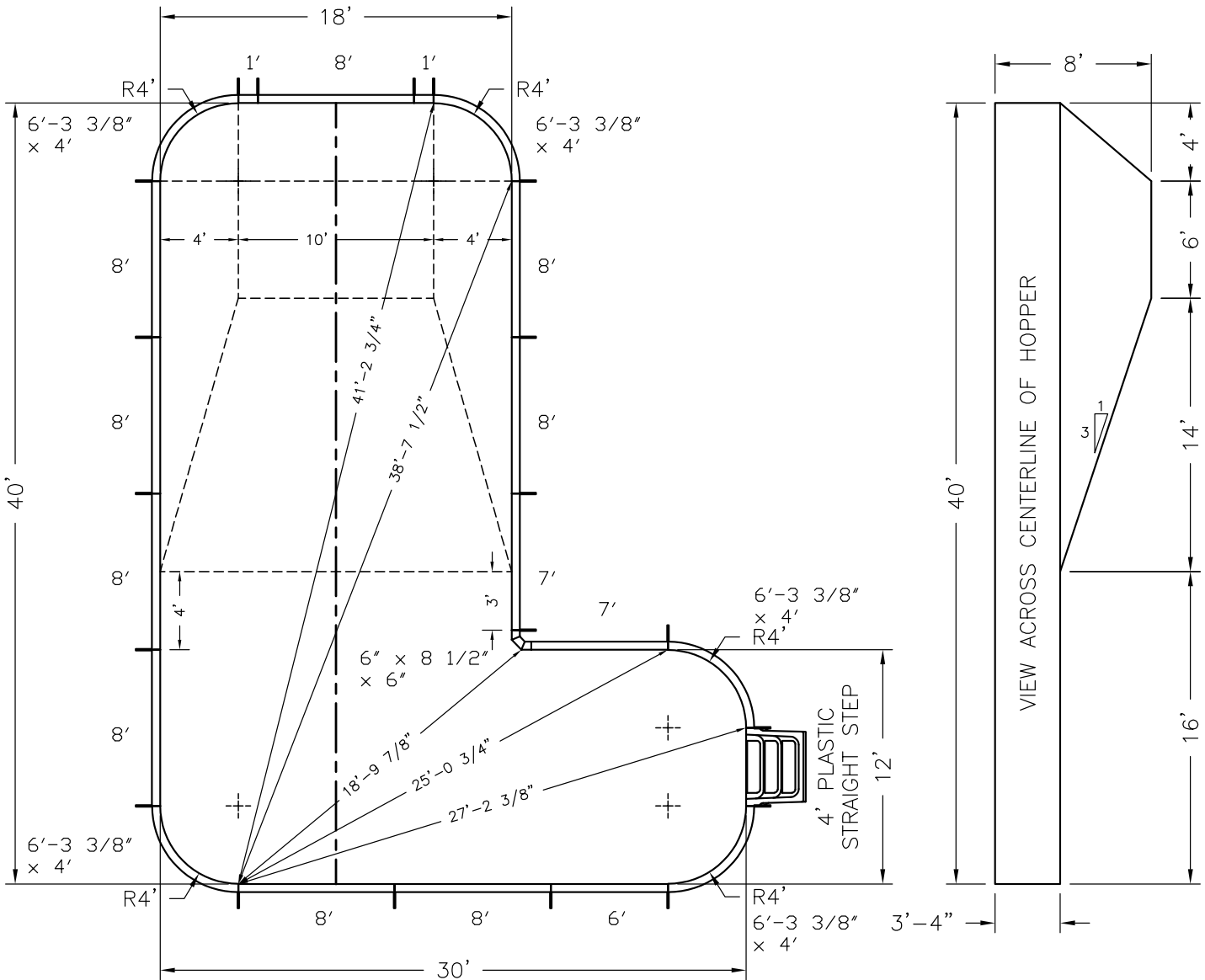


**Pool Size:** 18' X 40' X 12' X 30'  
**Pool Shape:** TRUE ELL **Approx Gal:** 30,810  
**Pool Number:** 18401230TE – 4R (PLASTIC)

250 Route 61 South, Schuylkill Haven, PA 17972 • 570-385-4733 • fax: 570-385-1318 • CustomerService@CardinalSystemsinc.com

### Bill of Materials

PART NO.	QUANTITY	DESCRIPTION
"A" FRAME	20	"A" FRAME ASSEMBLY
5D42060084060	1	6" x 8 1/2" x 6"
5C42633XX04000	5	6'-3 3/8" x 4" Radius C PANEL W/O Z
5S42100XXX0	2	1' Straight PANEL W/O Z
5S42600XXX1	1	6' Straight PANEL W/1 Z
5S42700XXX2	2	7' Straight PANEL W/2 Z
5S42800XXX2	9	8' Straight PANEL W/2 Z



Date: 5/10/2022

Perimeter: 131'-1 1/2"

Drawn By: JESSE H

Area: 847.0 SQ. FT.

Scale: 1/8" = 1'-0"

Notes: -----



cardinalpools.com

This information is the confidential property of Cardinal Systems, Inc. Disclosure or duplication without proper written approval is strictly prohibited. Acceptance and use of this drawing constitutes knowledge and acceptance by the user of the terms and conditions set forth in the notice and warning which accompanied this drawing is incorporated herein and made part hereof and is found on Cardinal Systems, Inc's website at www.CardinalSystemsInc.com

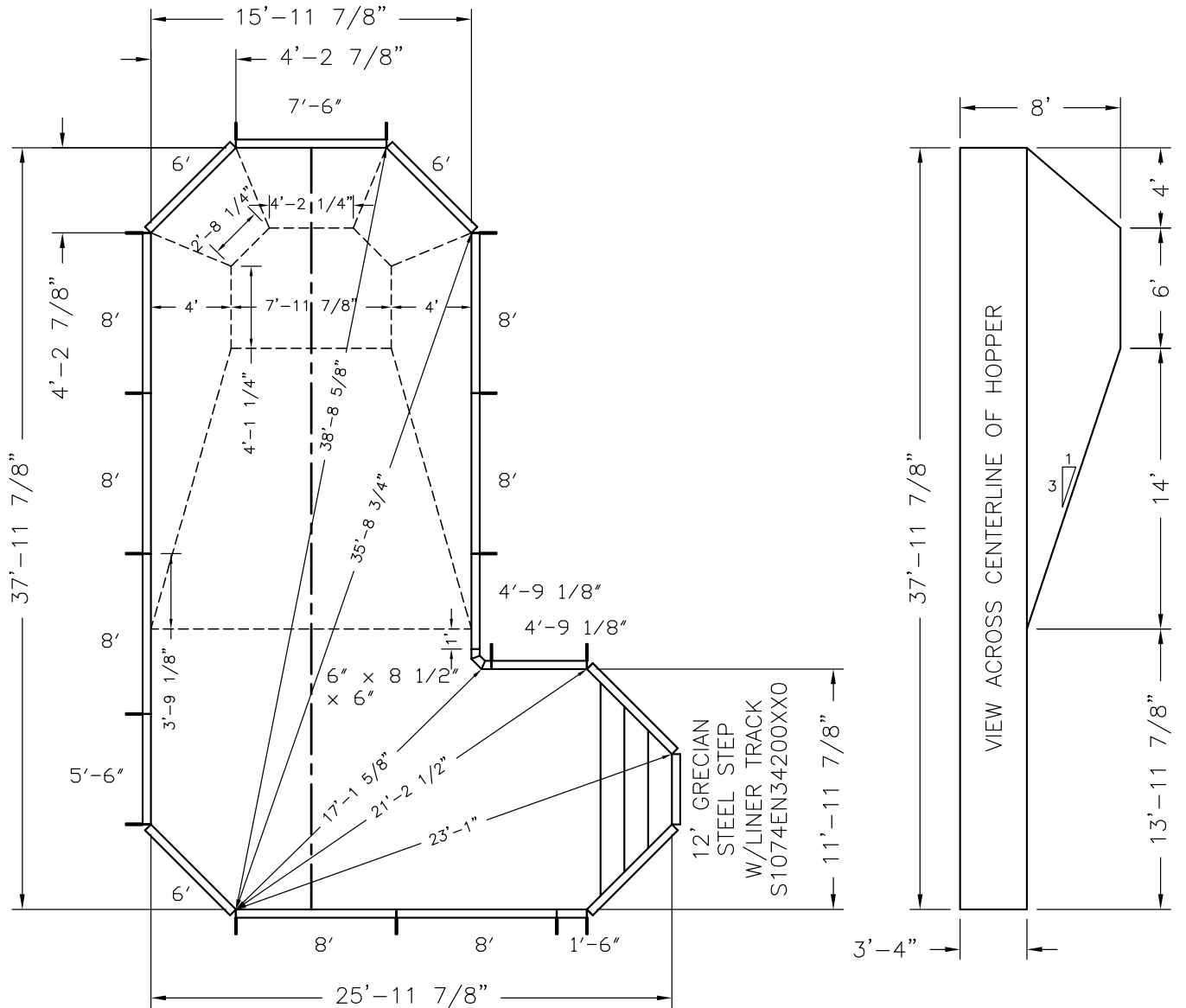


**Pool Size:** 16' X 38' X 12' X 26'  
**Pool Shape:** TRUE ELL GRECIAN **Approx Gal:** 24,816  
**Pool Number:** 16381226TEGREG - (STEEL)

250 Route 61 South, Schuylkill Haven, PA 17972 • 570-385-4733 • fax: 570-385-1318 • CustomerService@CardinalSystemsinc.com

Bill of Materials

PART NO.	QUANTITY	DESCRIPTION
"A" FRAME	16	"A" FRAME ASSEMBLY
CS901GC	8	GRECIAN CORNER ANGLE
S1074EN34200XX0	1	12' GRECIAN STEEL STEP W/LINER TRACK
5D42060084060	1	6" x 8 1/2" x 6"
5S42160XXX0	1	1'-6" Straight PANEL W/0 Z
5S42491XXX0	2	4'-9 1/8" Straight PANEL W/0 Z
5S42560XXX1	1	5'-6" Straight PANEL W/1 Z
5S42600XXX1	3	6" Straight PANEL W/1 Z
5S42760XXX2	1	7'-6" Straight PANEL W/2 Z
5S42800XXX2	7	8" Straight PANEL W/2 Z



Date: 5/10/2022

Perimeter: 115'-2 5/8"

Drawn By: JESSE H

Area: 682.2 SQ. FT.

Scale: 1/8" = 1'-0"

Notes: - - - -



cardinalposts.com

This information is the confidential property of Cardinal Systems, Inc. Disclosure or duplication without proper written approval is strictly prohibited. Acceptance and use of this drawing constitutes knowledge and acceptance by the user of the terms and conditions set forth in the notice and warning which accompanied this drawing is incorporated herein and made part hereof and is found on Cardinal Systems, Inc's website at www.CardinalSystemsInc.com

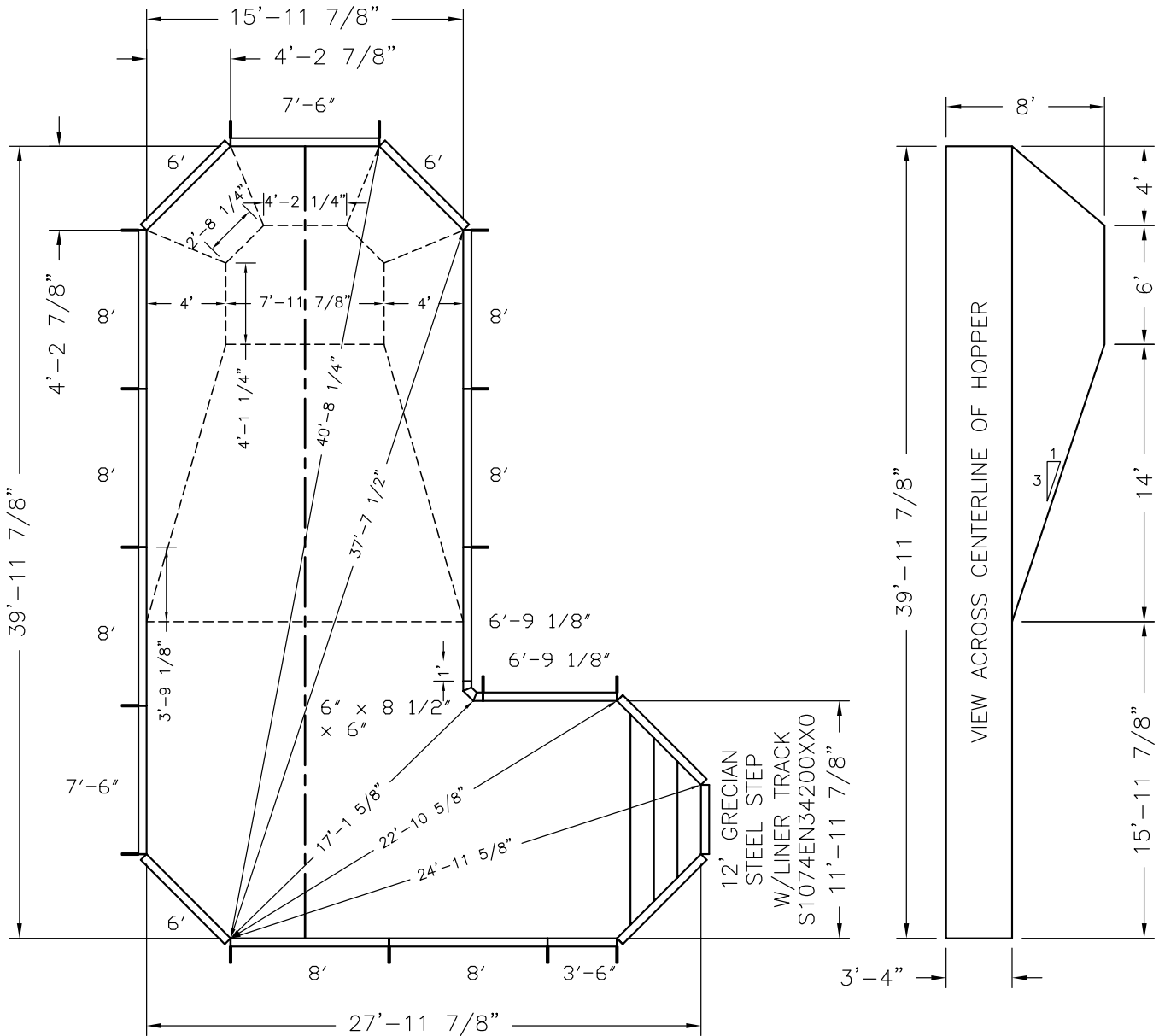


**Pool Size:** 16' X 40' X 12' X 28'  
**Pool Shape:** TRUE ELL GRECIAN **Approx Gal:** 26,689  
**Pool Number:** 16401228TEGREG - (STEEL)

250 Route 61 South, Schuylkill Haven, PA 17972 • 570-385-4733 • fax: 570-385-1318 • CustomerService@CardinalSystemsinc.com

### Bill of Materials

PART NO.	QUANTITY	DESCRIPTION
"A" FRAME	16	"A" FRAME ASSEMBLY
CS901GC	8	GRECIAN CORNER ANGLE
S1074EN34200XX0	1	12' GRECIAN STEEL STEP W/LINER TRACK
5D42060084060	1	6" x 8 1/2" x 6"
5S42360XXX0	1	3'-6" Straight PANEL W/0 Z
5S42600XXX1	3	6' Straight PANEL W/1 Z
5S42691XXX1	2	6'-9 1/8" Straight PANEL W/1 Z
5S42760XXX2	2	7'-6" Straight PANEL W/2 Z
5S42800XXX2	7	8' Straight PANEL W/2 Z



**Date:** 5/10/2022

**Perimeter:** 123'-2 5/8"

**Drawn By:** JESSE H

**Area:** 738.1 SQ. FT.

**Scale:** 1/8" = 1'-0"

**Notes:** -----



cardinalpools.com

This information is the confidential property of Cardinal Systems, Inc. Disclosure or duplication without proper written approval is strictly prohibited. Acceptance and use of this drawing constitutes knowledge and acceptance by the user of the terms and conditions set forth in the notice and warning which accompanied this drawing is incorporated herein and made part hereof and is found on Cardinal Systems, Inc's website at www.CardinalSystemsInc.com

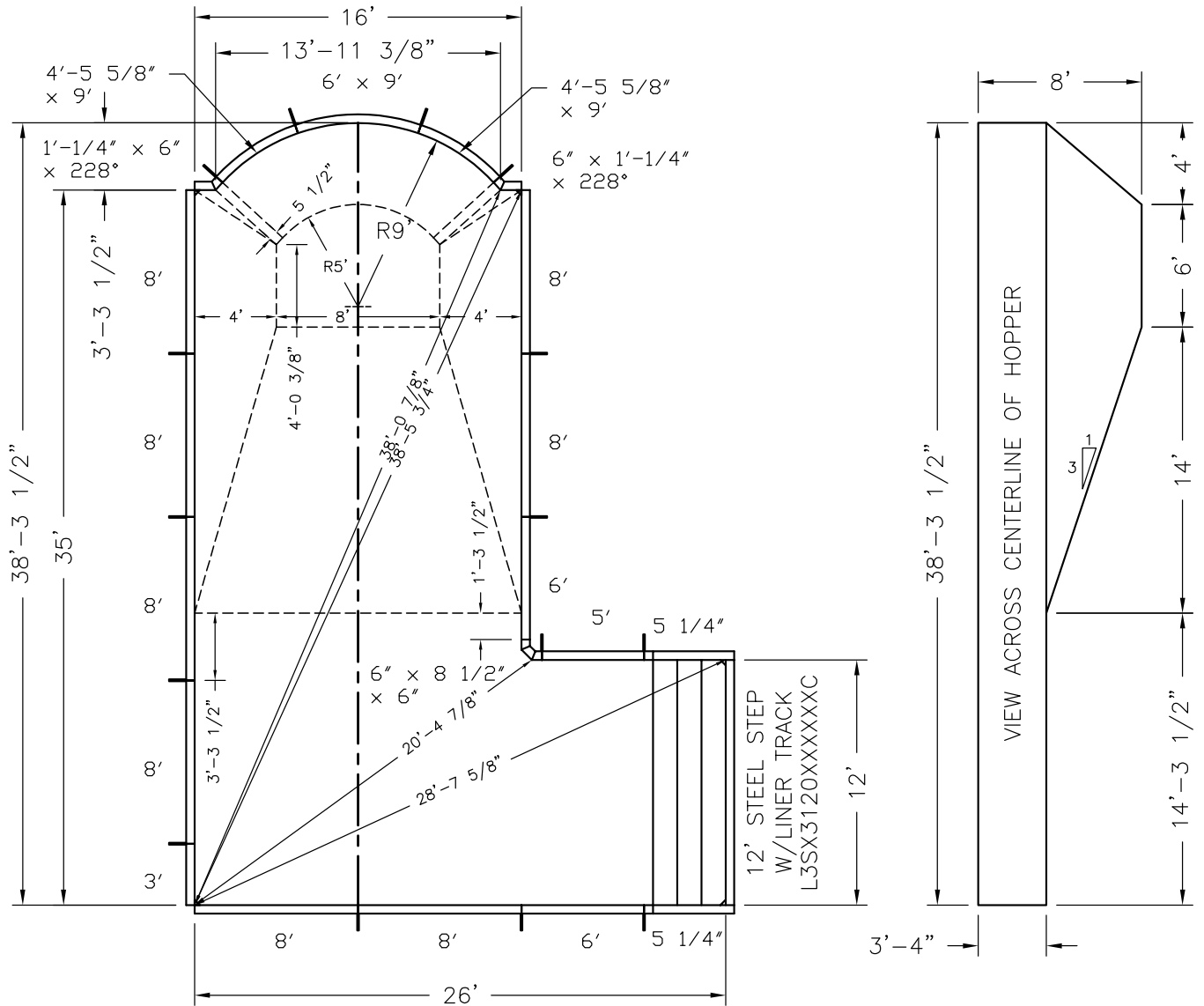


**Pool Size:** 16' X 38' X 12' X 26'  
**Pool Shape:** TRUE ELL ROMAN END **Approx Gal:** 25,899  
**Pool Number:** 16381226TERMND - (STEEL L3)

250 Route 61 South, Schuylkill Haven, PA 17972 • 570-385-4733 • fax: 570-385-1318 • CustomerService@CardinalSystemsinc.com

Bill of Materials

PART NO.	QUANTITY	DESCRIPTION
"A" FRAME	15	"A" FRAME ASSEMBLY
CS902SA	3	90 DEG CORNER ANGLE
CS902SB	3	6" RAD CORNER FILLER "BIG VEE"
L3SX3120XXXXXC	1	12' STEEL STEP W/LINER TRACK
5D42060084060	1	6" x 8 1/2" x 6"
5C42455XX09000	2	4'-5 5/8" x 9' Radius C PANEL W/0 Z
5C42600XX09000	1	6' x 9' Radius C PANEL W/0 Z
5S42052XXXX0	2	5 1/4" Straight PANEL W/0 Z
5S42300XXX0	1	3' Straight PANEL W/0 Z
5S42500XXX0	1	5' Straight PANEL W/0 Z
5S42600XXX1	2	6' Straight PANEL W/1 Z
5S42800XXX2	8	8' Straight PANEL W/2 Z
5T42060228102	1	6" x 1'-1/4" x 228° ELL
5T42102228060	1	1'-1/4" x 6" x 228° ELL



**Date:** 5/10/2022

**Perimeter:** 123'-8 3/8"

**Drawn By:** JESSE H

**Area:** 712.0 SQ. FT.

**Scale:** 1/8" = 1'-0"

**Notes:** - - - -



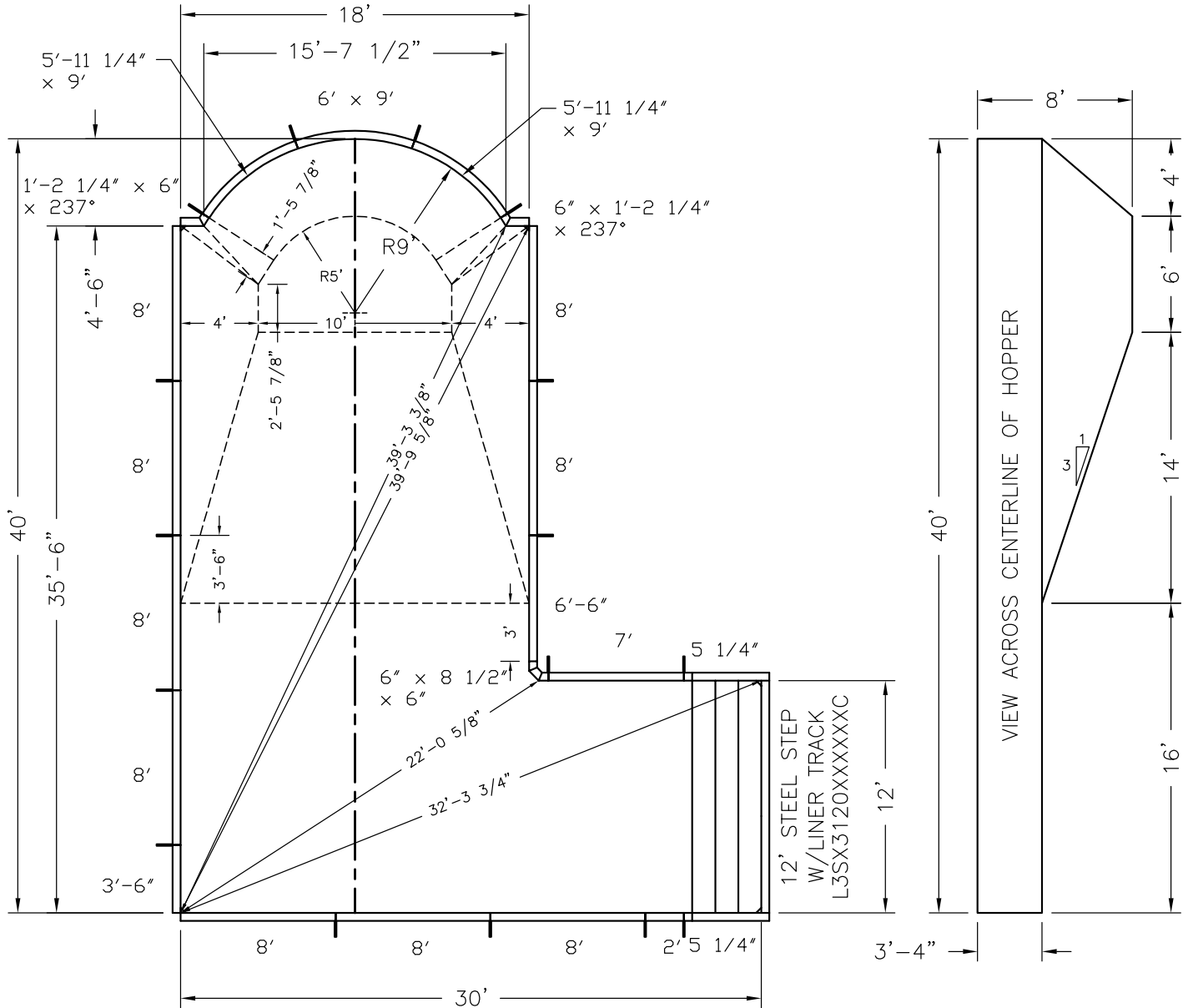
cardinalpools.com

This information is the confidential property of Cardinal Systems, Inc. Disclosure or duplication without proper written approval is strictly prohibited. Acceptance and use of this drawing constitutes knowledge and acceptance by the user of the terms and conditions set forth in the notice and warning which accompanied this drawing is incorporated herein and made part hereof and is found on Cardinal Systems, Inc's website at www.CardinalSystemsInc.com



**Pool Size:** 18' X 40' X 12' X 30'  
**Pool Shape:** TRUE ELL ROMAN END **Approx Gal:** 30,294  
**Pool Number:** 18401230TERMND - (STEEL L3)

250 Route 61 South, Schuylkill Haven, PA 17972 • 570-385-4733 • fax: 570-385-1318 • CustomerService@CardinalSystemsinc.com



**Date:** 5/10/2022

**Perimeter:** 832.8 SQ. FT.

**Drawn By:** JESSE H

**Area:** 832.8 SQ. FT.

**Scale:** 1/8" = 1'-0"

**Notes:** -----



cardinalpools.com

This information is the confidential property of Cardinal Systems, Inc. Disclosure or duplication without proper written approval is strictly prohibited. Acceptance and use of this drawing constitutes knowledge and acceptance by the user of the terms and conditions set forth in the notice and warning which accompanied this drawing is incorporated herein and made part hereof and is found on Cardinal Systems, Inc's website at www.CardinalSystemsInc.com



**Pool Size:** 18' X 40' X 12' X 30'  
**Pool Shape:** TRUE ELL ROMAN END **Approx Gal:** 30,294  
**Pool Number:** 18401230TERMND – (STEEL L3)

250 Route 61 South, Schuylkill Haven, PA 17972 • 570-385-4733 • fax: 570-385-1318 • CustomerService@CardinalSystemsinc.com

Bill of Materials

PART NO.	QUANTITY	DESCRIPTION
"A" FRAME	16	"A" FRAME ASSEMBLY
CS902SA	3	90 DEG CORNER ANGLE
CS902SB	3	6" RAD CORNER FILLER "BIG VEE"
L3SX3120XXXXXXC	1	12' STEEL STEP W/LINER TRACK
5D42060084060	1	6" x 8 1/2" x 6"
5C425E2XX09000	2	5'-11 1/4" x 9' Radius C PANEL W/0 Z
5C42600XX09000	1	6' x 9' Radius C PANEL W/0 Z
5S42052XXX0	2	5 1/4" Straight PANEL W/0 Z
5S42200XXX0	1	2' Straight PANEL W/0 Z
5S42360XXX0	1	3'-6" Straight PANEL W/0 Z
5S42660XXX1	1	6'-6" Straight PANEL W/1 Z
5S42700XXX2	1	7' Straight PANEL W/2 Z
5S42800XXX2	9	8' Straight PANEL W/2 Z
5T42060237122	1	6" x 1'-2 1/4" x 237° ELL
5T42122237060	1	1'-2 1/4" x 6" x 237° ELL

**Date:** 5/10/2022

**Perimeter:** 832.8 SQ. FT.

**Drawn By:** JESSE H

**Area:** 832.8 SQ. FT.

**Scale:** 1/8" = 1'-0"

**Notes:** - - - -



cardinalpools.com

This information is the confidential property of Cardinal Systems, Inc. Disclosure or duplication without proper written approval is strictly prohibited. Acceptance and use of this drawing constitutes knowledge and acceptance by the user of the terms and conditions set forth in the notice and warning which accompanied this drawing is incorporated herein and made part hereof and is found on Cardinal Systems, Inc's website at www.CardinalSystemsInc.com

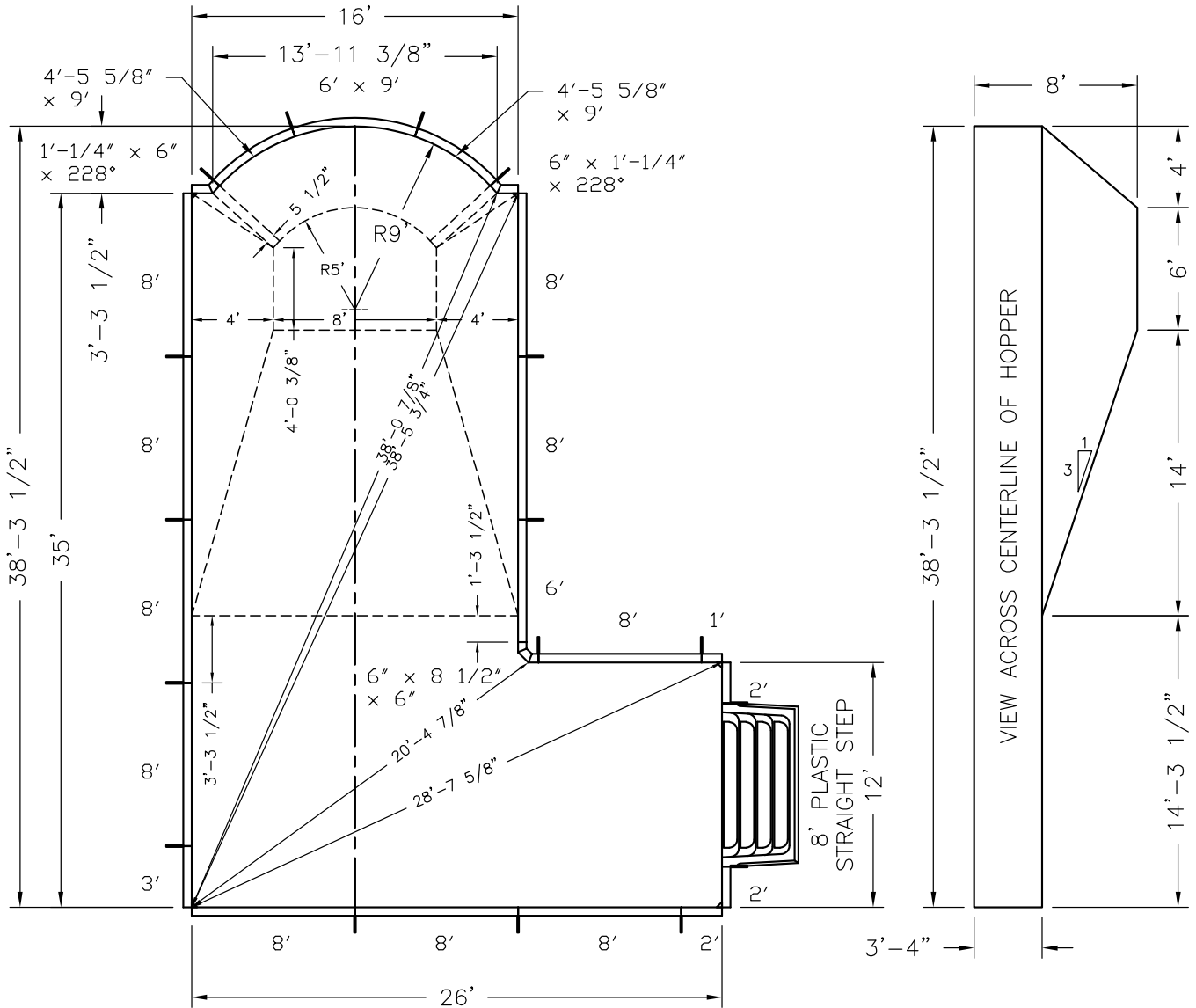


**Pool Size:** 16' X 38' X 12' X 26'  
**Pool Shape:** TRUE ELL ROMAN END **Approx Gal:** 25,899  
**Pool Number:** 16381226TERMND - (PLASTIC)

250 Route 61 South, Schuylkill Haven, PA 17972 • 570-385-4733 • fax: 570-385-1318 • CustomerService@CardinalSystemsinc.com

### Bill of Materials

PART NO.	QUANTITY	DESCRIPTION
"A" FRAME	17	"A" FRAME ASSEMBLY
CS902SA	5	90 DEG CORNER ANGLE
CS902SB	5	6" RAD CORNER FILLER "BIG VEE"
5D42060084060	1	6" x 8 1/2" x 6"
5C42455XX09000	2	4'-5 5/8" x 9' Radius C PANEL W/0 Z
5C42600XX09000	1	6' x 9' Radius C PANEL W/0 Z
5S42100XXX0	1	1' Straight PANEL W/0 Z
5S42200XXX0	3	2' Straight PANEL W/0 Z
5S42300XXX0	1	3' Straight PANEL W/0 Z
5S42600XXX1	1	6' Straight PANEL W/1 Z
5S42800XXX2	10	8' Straight PANEL W/2 Z
5T42060228102	1	6" x 1'-1/4" x 228° ELL
5T42102228060	1	1'-1/4" x 6" x 228° ELL



Date: 5/10/2022

Perimeter: 123'-8 3/8"

Drawn By: JESSE H

Area: 712.0 SQ. FT.

Scale: 1/8" = 1'-0"

Notes: -----



cardinalpools.com

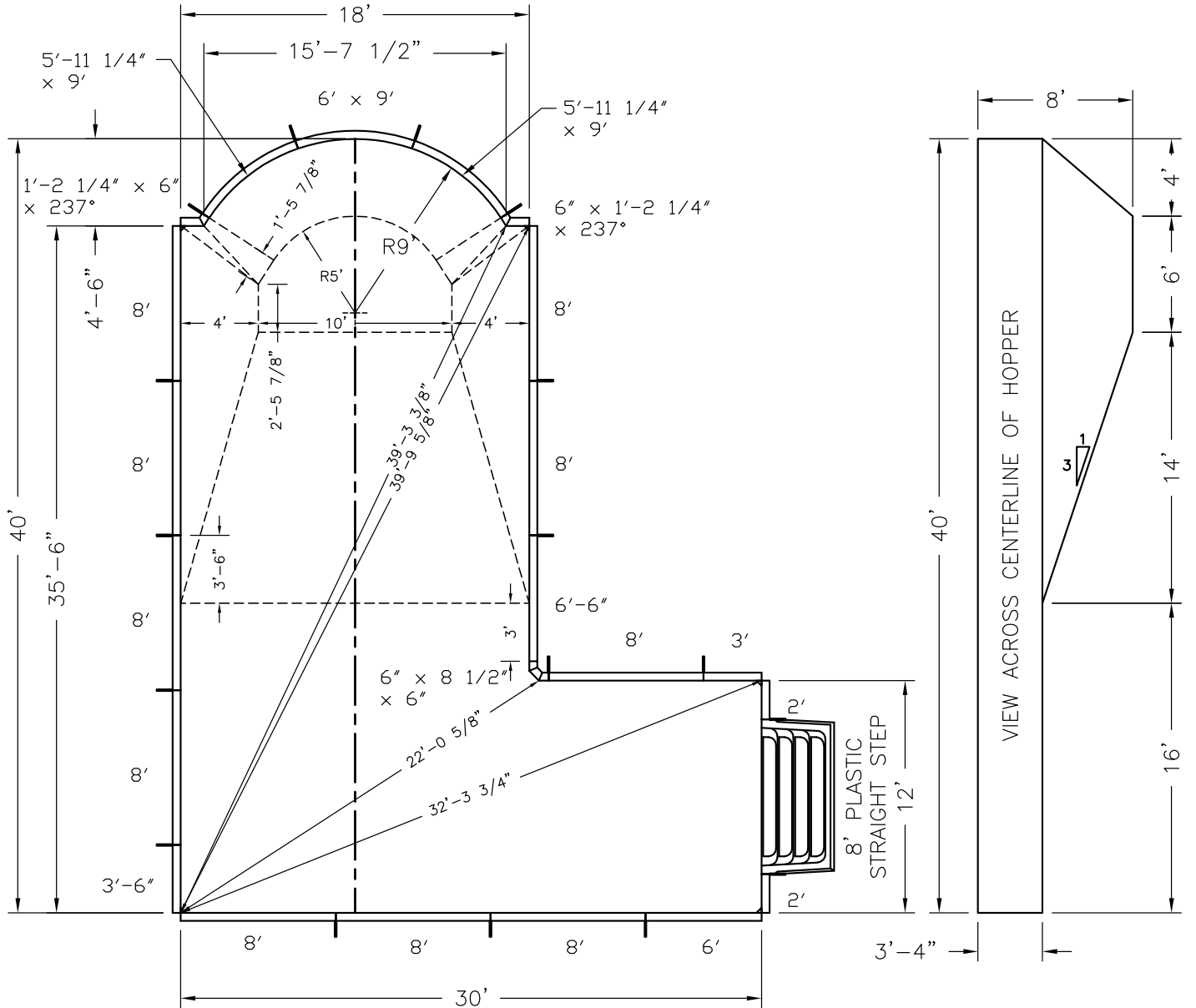
This information is the confidential property of Cardinal Systems, Inc. Disclosure or duplication without proper written approval is strictly prohibited. Acceptance and use of this drawing constitutes knowledge and acceptance by the user of the terms and conditions set forth in the notice and warning which accompanied this drawing is incorporated herein and made part hereof and is found on Cardinal Systems, Inc's website at www.CardinalSystemsInc.com






**Pool Size:** 18' X 40' X 12' X 30'  
**Pool Shape:** TRUE ELL ROMAN END **Approx Gal:** 30,294  
**Pool Number:** 18401230TERMND – (PLASTIC)

250 Route 61 South, Schuylkill Haven, PA 17972 • 570-385-4733 • fax: 570-385-1318 • CustomerService@CardinalSystemsinc.com



<b>Date:</b> 5/10/2022	<b>Perimeter:</b> 832.8 SQ. FT.	 <small>cardinalpools.com</small>
<b>Drawn By:</b> JESSE H	<b>Area:</b> 832.8 SQ. FT.	
<b>Scale:</b> 1/8" = 1'-0"	<b>Notes:</b> - - - -	

This information is the confidential property of Cardinal Systems, Inc. Disclosure or duplication without proper written approval is strictly prohibited. Acceptance and use of this drawing constitutes knowledge and acceptance by the user of the terms and conditions set forth in the notice and warning which accompanied this drawing is incorporated herein and made part hereof and is found on Cardinal Systems, Inc's website at [www.CardinalSystemsInc.com](http://www.CardinalSystemsInc.com)



**Pool Size:** 18' X 40' X 12' X 30'  
**Pool Shape:** TRUE ELL ROMAN END **Approx Gal:** 30,294  
**Pool Number:** 18401230TERMND – (PLASTIC)

250 Route 61 South, Schuylkill Haven, PA 17972 • 570-385-4733 • fax: 570-385-1318 • CustomerService@CardinalSystemsinc.com

### Bill of Materials

PART NO.	QUANTITY	DESCRIPTION
"A" FRAME	17	"A" FRAME ASSEMBLY
CS902SA	5	90 DEG CORNER ANGLE
CS902SB	5	6" RAD CORNER FILLER "BIG VEE"
5D42060084060	1	6" x 8 1/2" x 6"
5C425E2XX09000	2	5'-11 1/4" x 9' Radius C PANEL W/0 Z
5C42600XX09000	1	6' x 9' Radius C PANEL W/0 Z
5S42200XXX0	2	2' Straight PANEL W/0 Z
5S42300XXX0	1	3' Straight PANEL W/0 Z
5S42360XXX0	1	3'-6" Straight PANEL W/0 Z
5S42600XXX1	1	6' Straight PANEL W/1 Z
5S42660XXX1	1	6'-6" Straight PANEL W/1 Z
5S42800XXX2	10	8' Straight PANEL W/2 Z
5T42060237122	1	6" x 1'-2 1/4" x 237° ELL
5T42122237060	1	1'-2 1/4" x 6" x 237° ELL

<b>Date:</b> 5/10/2022	<b>Perimeter:</b> 832.8 SQ. FT.
<b>Drawn By:</b> JESSE H	<b>Area:</b> 832.8 SQ. FT.
<b>Scale:</b> 1/8" = 1'-0"	<b>Notes:</b> -----



cardinalpools.com

This information is the confidential property of Cardinal Systems, Inc. Disclosure or duplication without proper written approval is strictly prohibited. Acceptance and use of this drawing constitutes knowledge and acceptance by the user of the terms and conditions set forth in the notice and warning which accompanied this drawing is incorporated herein and made part hereof and is found on Cardinal Systems, Inc's website at www.CardinalSystemsInc.com

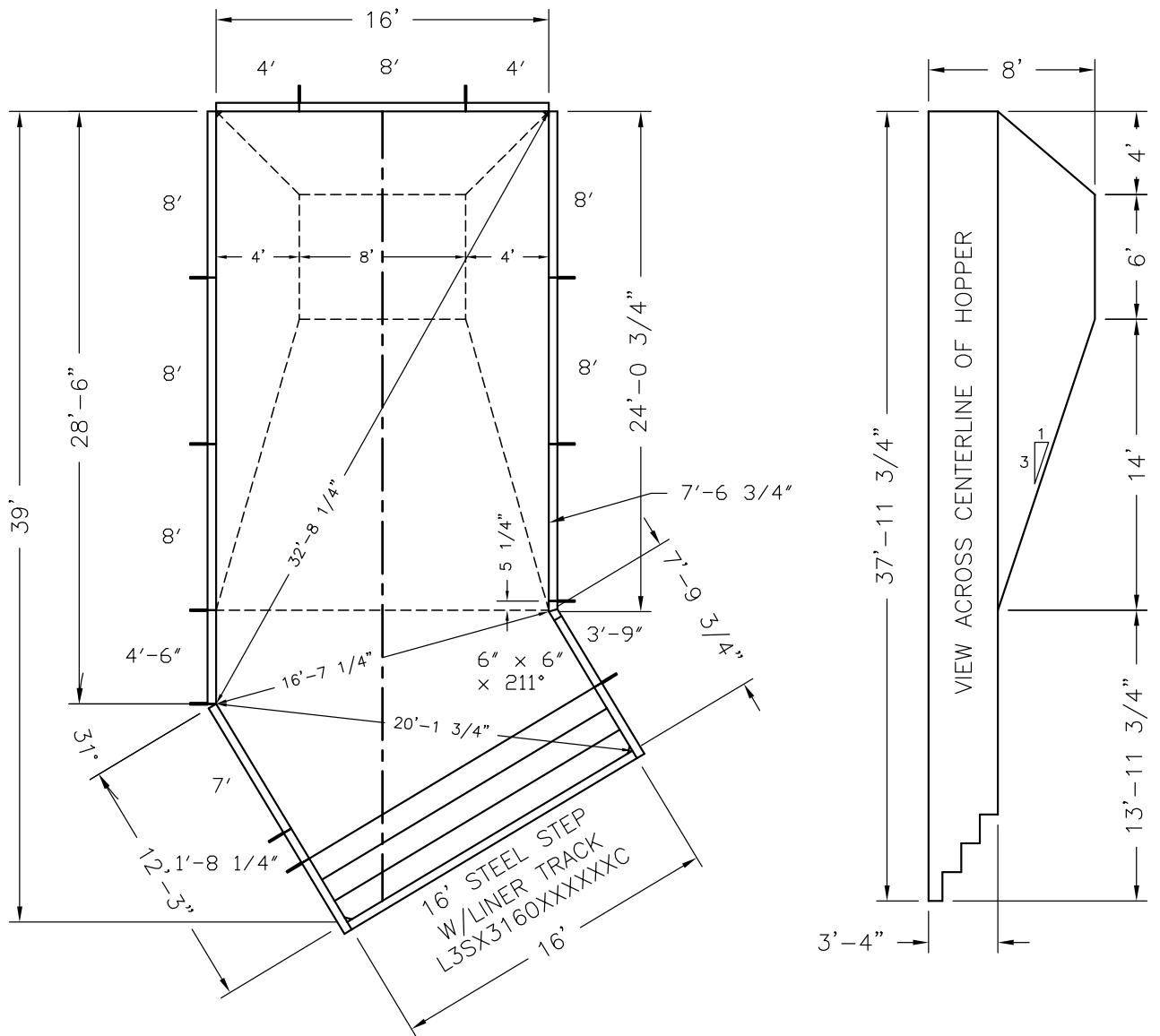


**Pool Size:** 16' X 39' **Approx Gal:** 21,134  
**Pool Shape:** LAZY ELL  
**Pool Number:** 1639LL - 6 (STEEL L3)

250 Route 61 South, Schuylkill Haven, PA 17972 • 570-385-4733 • fax: 570-385-1318 • CustomerService@CardinalSystemsinc.com

## Bill of Materials

PART NO.	QUANTITY	DESCRIPTION
"A" FRAME	12	"A" FRAME ASSEMBLY
CS902SA	2	90 DEG CORNER ANGLE
CS902SB	2	6" RAD CORNER FILLER "BIG VEE"
CS930WW-31	1	31° CORNER ANGLE
L3SX3160XXXXXXC	1	16' STEEL STEP W/LINER TRACK
5S42182XXX0	1	1'-8 1/4" Straight PANEL W/0 Z
5S42390XXX0	1	3'-9" Straight PANEL W/0 Z
5S42400XXX0	2	4" Straight PANEL W/0 Z
5S42460XXX0	1	4'-6" Straight PANEL W/0 Z
5S42700XXX2	1	7" Straight PANEL W/2 Z
5S42766XXX2	1	7'-6 3/4" Straight PANEL W/2 Z
5S42800XXX2	6	8" Straight PANEL W/2 Z
5T42060211060	1	6" x 6" x 211° ELL



Date: 5/10/2022

Perimeter: 104'-7 1/2"

Drawn By: JESSE H

Area: 581.0 SQ. FT.

Scale: 1/8" = 1'-0"

Notes: -----



cardinalpools.com

This information is the confidential property of Cardinal Systems, Inc. Disclosure or duplication without proper written approval is strictly prohibited. Acceptance and use of this drawing constitutes knowledge and acceptance by the user of the terms and conditions set forth in the notice and warning which accompanied this drawing is incorporated herein and made part hereof and is found on Cardinal Systems, Inc's website at www.CardinalSystemsInc.com

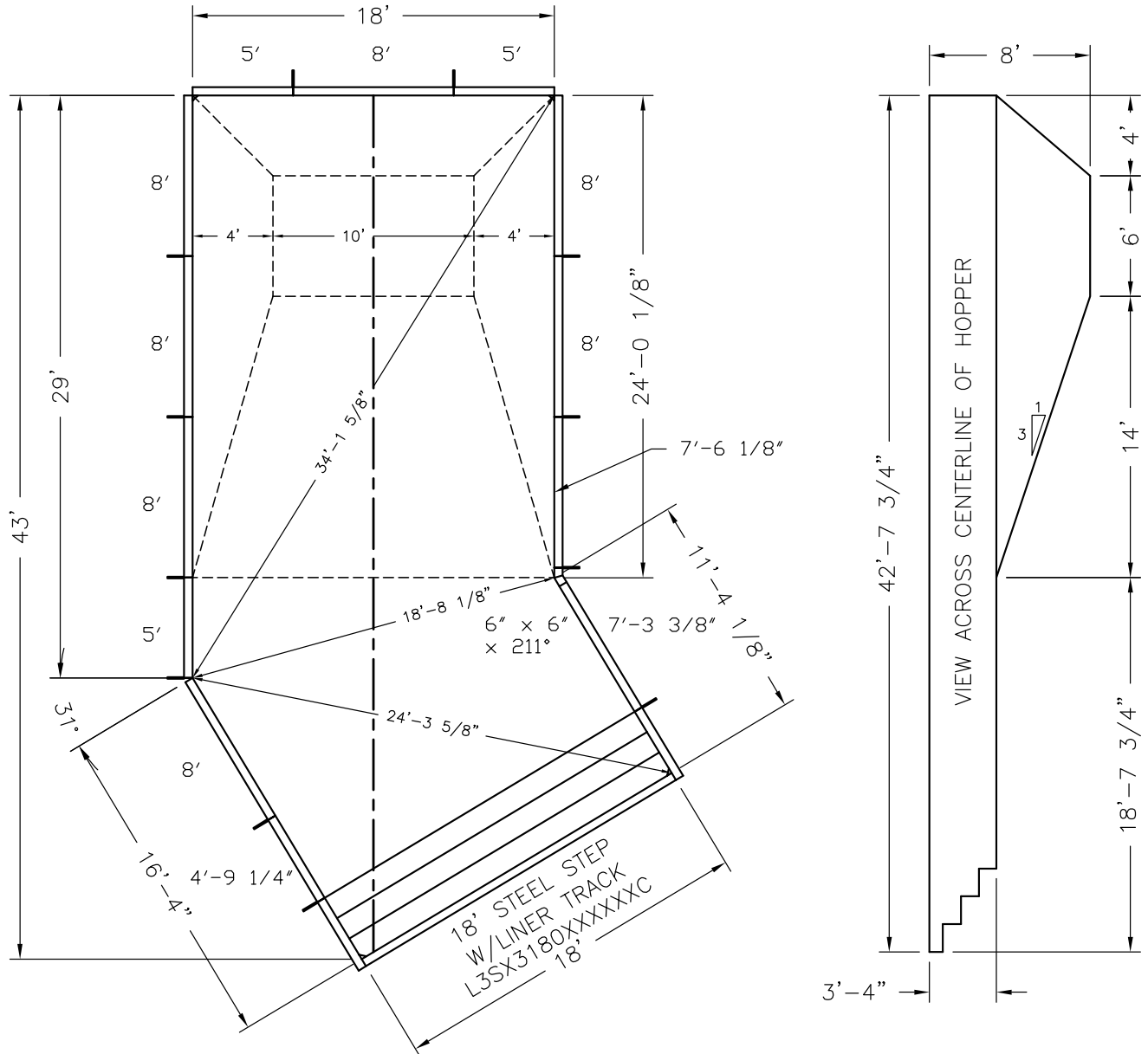


**Pool Size:** 18' X 43' **Approx Gal:** 26,412  
**Pool Shape:** LAZY ELL  
**Pool Number:** 1843LL - 6 (STEEL L3)

250 Route 61 South, Schuylkill Haven, PA 17972 • 570-385-4733 • fax: 570-385-1318 • CustomerService@CardinalSystemsinc.com

### Bill of Materials

PART NO.	QUANTITY	DESCRIPTION
"A" FRAME	12	"A" FRAME ASSEMBLY
CS902SA	2	90 DEG CORNER ANGLE
CS902SB	2	6" RAD CORNER FILLER "BIG VEE"
CS930WW-31	1	31° CORNER ANGLE
L3SX3180XXXXXC	1	18' STEEL STEP W/LINER TRACK
5S42492XXX0	1	4'-9 1/4" Straight PANEL W/0 Z
5S42500XXX0	3	5' Straight PANEL W/0 Z
5S42733XXX2	1	7'-3 3/8" Straight PANEL W/2 Z
5S42761XXX2	1	7'-6 1/8" Straight PANEL W/2 Z
5S42800XXX2	7	8' Straight PANEL W/2 Z
5T42060211060	1	6" x 6" x 211° ELL



<b>Date:</b> 5/10/2022	<b>Perimeter:</b> 116'-8 1/8"
<b>Drawn By:</b> JESSE H	<b>Area:</b> 726.1 SQ. FT.
<b>Scale:</b> 1/8" = 1'-0"	<b>Notes:</b> -----



cardinalpools.com

This information is the confidential property of Cardinal Systems, Inc. Disclosure or duplication without proper written approval is strictly prohibited. Acceptance and use of this drawing constitutes knowledge and acceptance by the user of the terms and conditions set forth in the notice and warning which accompanied this drawing is incorporated herein and made part hereof and is found on Cardinal Systems, Inc's website at www.CardinalSystemsInc.com

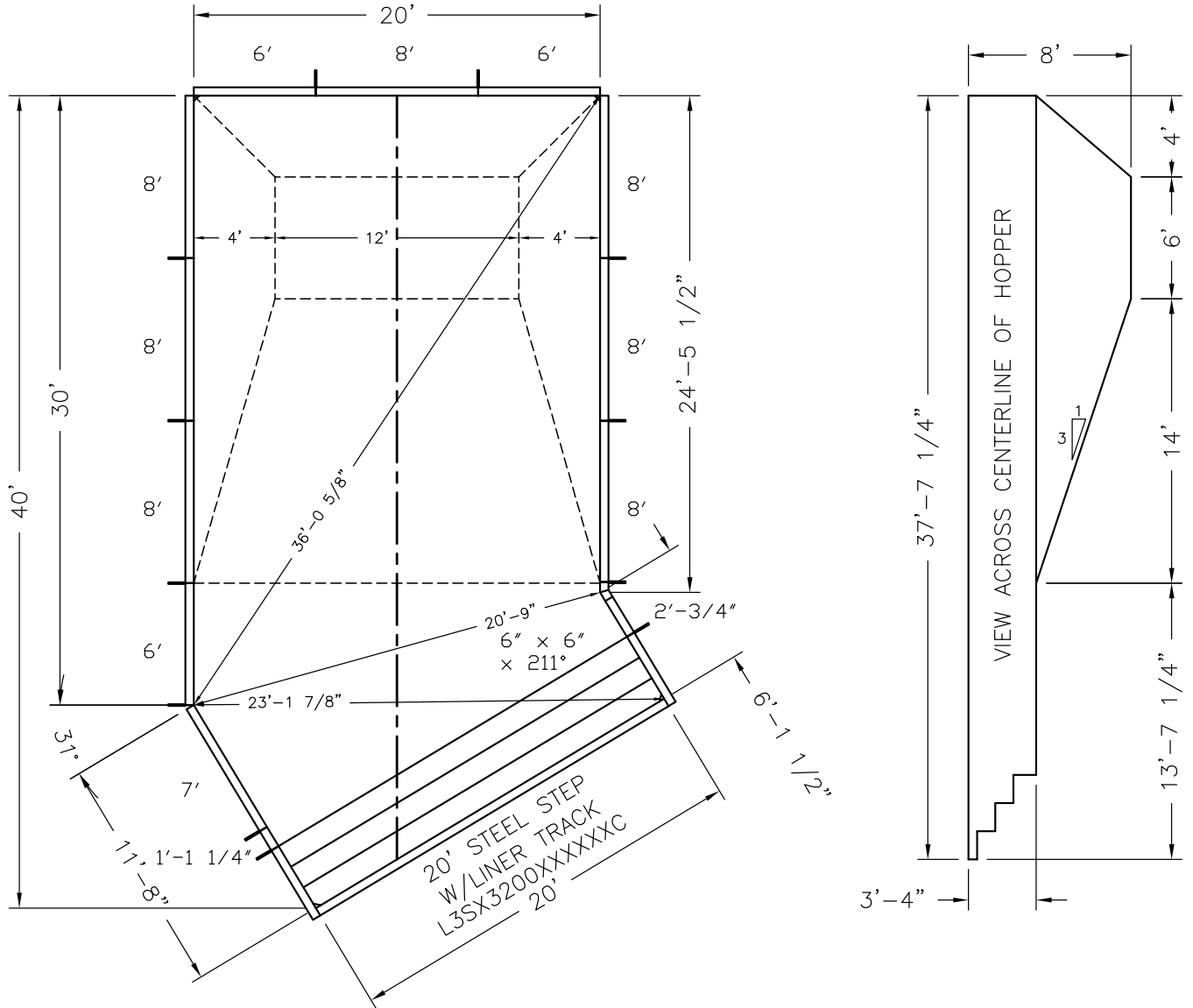


**Pool Size:** 20' X 40' **Approx Gal:** 26,278  
**Pool Shape:** LAZY ELL  
**Pool Number:** 2040LL - 6 (STEEL L3)

250 Route 61 South, Schuylkill Haven, PA 17972 • 570-385-4733 • fax: 570-385-1318 • CustomerService@CardinalSystemsinc.com

Bill of Materials

PART NO.	QUANTITY	DESCRIPTION
"A" FRAME	12	"A" FRAME ASSEMBLY
CS902SA	2	90 DEG CORNER ANGLE
CS902SB	2	6" RAD CORNER FILLER "BIG VEE"
CS930WW-31	1	31° CORNER ANGLE
L3SX3200XXXXXC	1	20' STEEL STEP W/LINER TRACK
5S42112XXX0	1	1'-1 1/4" Straight PANEL W/0 Z
5S42206XXX0	1	2'-3/4" Straight PANEL W/0 Z
5S42600XXX1	3	6' Straight PANEL W/1 Z
5S42700XXX2	1	7' Straight PANEL W/2 Z
5S42800XXX2	7	8' Straight PANEL W/2 Z
5T42060211060	1	6" x 6" x 211° ELL



Date: 5/10/2022

Perimeter: 112'-2 7/8"

Drawn By: JESSE H

Area: 722.4 SQ. FT.

Scale: 1/8" = 1'-0"

Notes: - - - -



cardinalpools.com

This information is the confidential property of Cardinal Systems, Inc. Disclosure or duplication without proper written approval is strictly prohibited. Acceptance and use of this drawing constitutes knowledge and acceptance by the user of the terms and conditions set forth in the notice and warning which accompanied this drawing is incorporated herein and made part hereof and is found on Cardinal Systems, Inc's website at www.CardinalSystemsInc.com

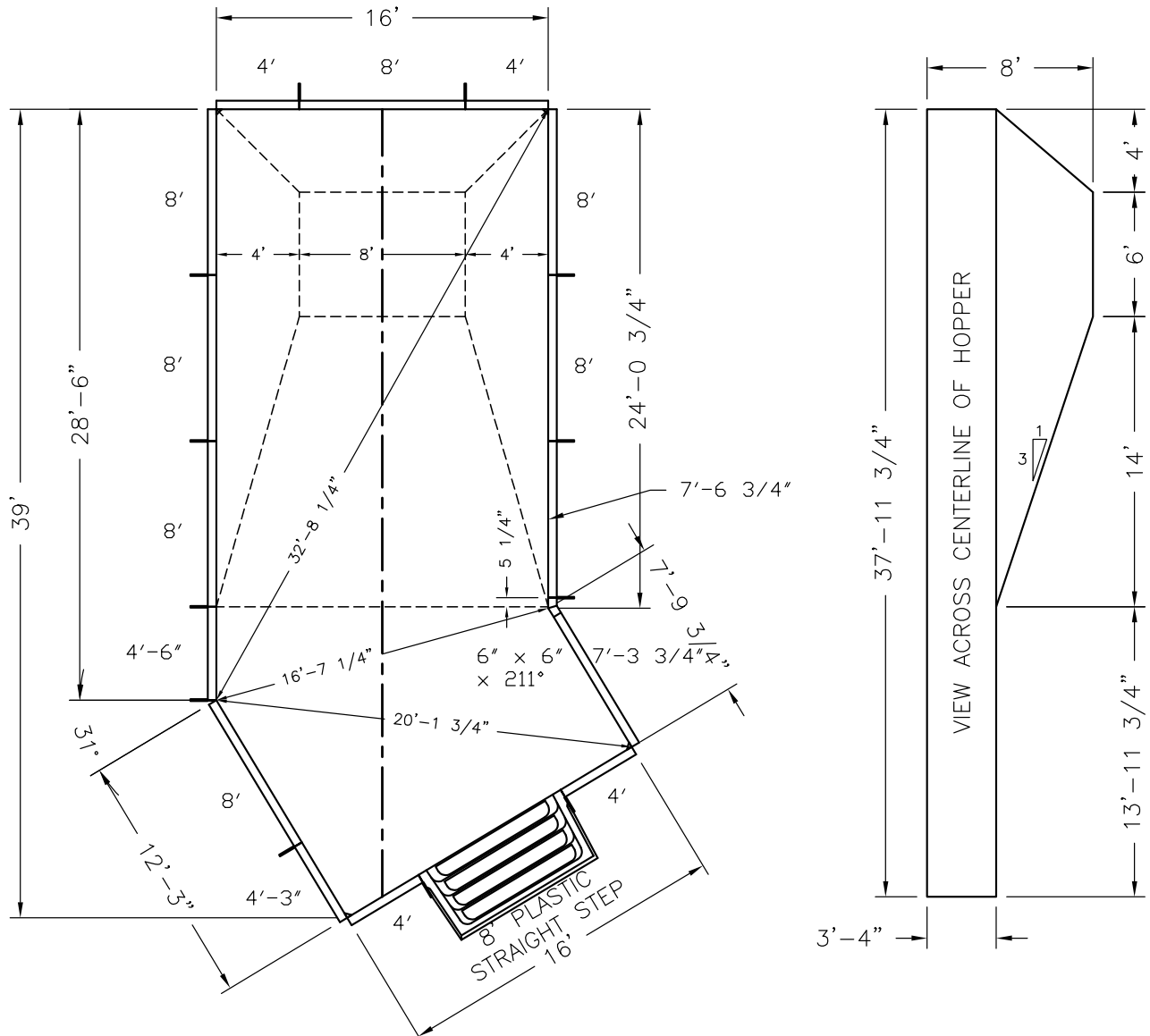


**Pool Size:** 16' X 39' **Approx Gal:** 21,134  
**Pool Shape:** LAZY ELL  
**Pool Number:** 1639LL - 6 (PLASTIC)

250 Route 61 South, Schuylkill Haven, PA 17972 • 570-385-4733 • fax: 570-385-1318 • CustomerService@CardinalSystemsInc.com

### Bill of Materials

PART NO.	QUANTITY	DESCRIPTION
"A" FRAME	12	"A" FRAME ASSEMBLY
CS902SA	4	90 DEG CORNER ANGLE
CS902SB	4	6" RAD CORNER FILLER "BIG VEE"
CS930WW-31	1	31° CORNER ANGLE
5S42400XXX0	4	4' Straight PANEL W/0 Z
5S42430XXX0	1	4'-3" Straight PANEL W/0 Z
5S42460XXX0	1	4'-6" Straight PANEL W/0 Z
5S42736XXX2	1	7'-3 3/4" Straight PANEL W/2 Z
5S42766XXX2	1	7'-6 3/4" Straight PANEL W/2 Z
5S42800XXX2	7	8' Straight PANEL W/2 Z
5T42060211060	1	6" x 6" x 211° ELL



**Date:** 5/10/2022

**Drawn By:** JESSE H

**Scale:** 1/8" = 1'-0"

**Perimeter:** 104'-7 1/2"

**Area:** 581.0 SQ. FT.

**Notes:** -----



cardinalpools.com

This Information Is the confidential property of Cardinal Systems, Inc. Disclosure or duplication without proper written approval is strictly prohibited. Acceptance and use of this drawing constitutes knowledge and acceptance by the user of the terms and conditions set forth in the notice and warning which accompanied this drawing is incorporated herein and made part hereof and is found on Cardinal Systems, Inc's website at www.CardinalSystemsInc.com

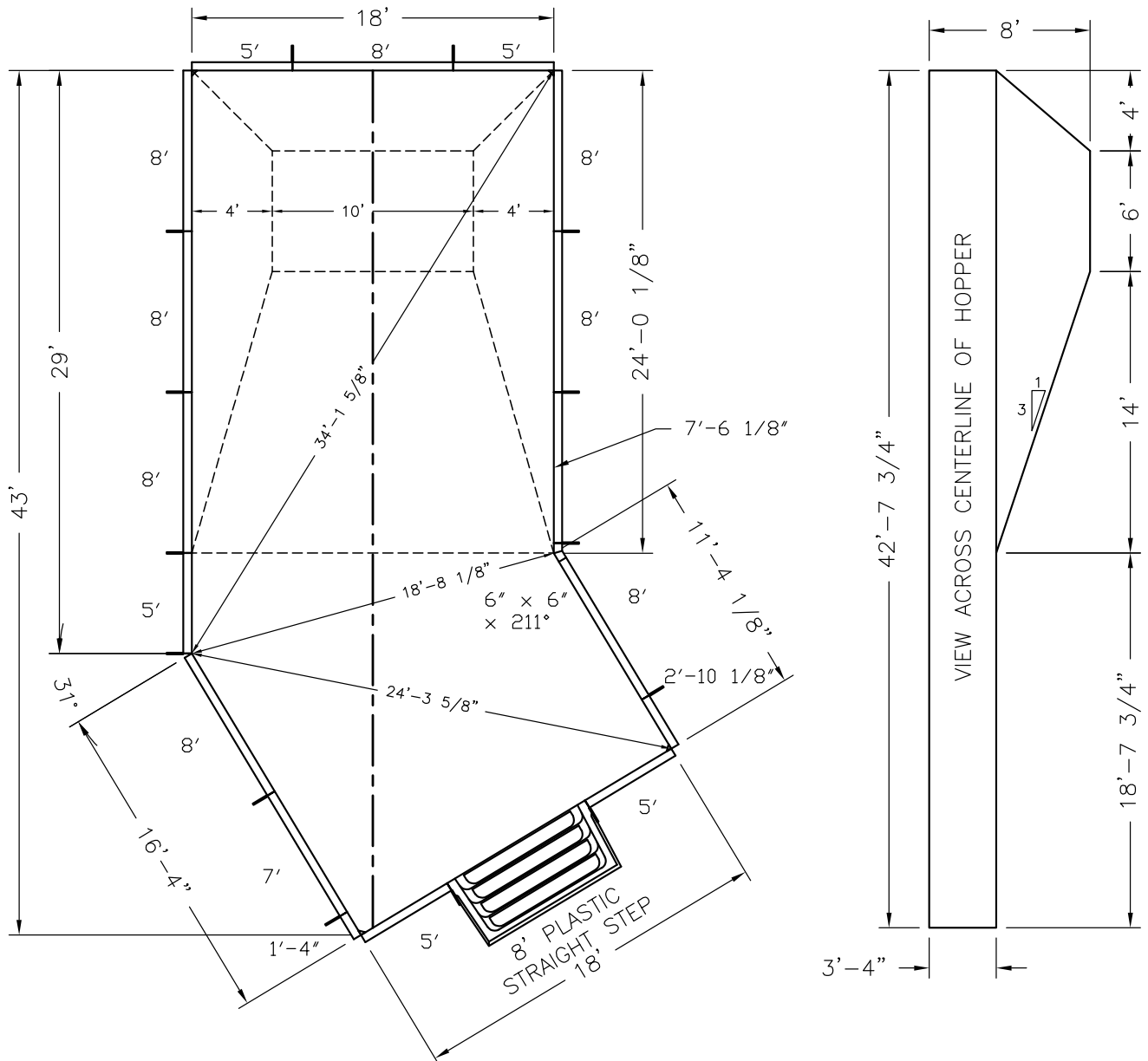


**Pool Size:** 18' X 43' **Approx Gal:** 26,412  
**Pool Shape:** LAZY ELL  
**Pool Number:** 1843LL - 6 (PLASTIC)

250 Route 61 South, Schuylkill Haven, PA 17972 • 570-385-4733 • fax: 570-385-1318 • CustomerService@CardinalSystemsinc.com

Bill of Materials

PART NO.	QUANTITY	DESCRIPTION
"A" FRAME	14	"A" FRAME ASSEMBLY
CS902SA	4	90 DEG CORNER ANGLE
CS902SB	4	6" RAD CORNER FILLER "BIG VEE"
CS930WW-31	1	31° CORNER ANGLE
5S42140XXX0	1	1'-4" Straight PANEL W/0 Z
5S42211XXX0	1	2'-10 1/8" Straight PANEL W/0 Z
5S42500XXX0	5	5' Straight PANEL W/0 Z
5S42700XXX2	1	7' Straight PANEL W/2 Z
5S42761XXX2	1	7'-6 1/8" Straight PANEL W/2 Z
5S42800XXX2	8	8' Straight PANEL W/2 Z
5T42060211060	1	6" x 6" x 211° ELL



<b>Date:</b> 5/10/2022	<b>Perimeter:</b> 116'-8 1/8"
<b>Drawn By:</b> JESSE H	<b>Area:</b> 726.1 SQ. FT.
<b>Scale:</b> 1/8" = 1'-0"	<b>Notes:</b> - - - -



cardinalpools.com

This information is the confidential property of Cardinal Systems, Inc. Disclosure or duplication without proper written approval is strictly prohibited. Acceptance and use of this drawing constitutes knowledge and acceptance by the user of the terms and conditions set forth in the notice and warning which accompanied this drawing is incorporated herein and made part hereof and is found on Cardinal Systems, Inc's website at www.CardinalSystemsInc.com

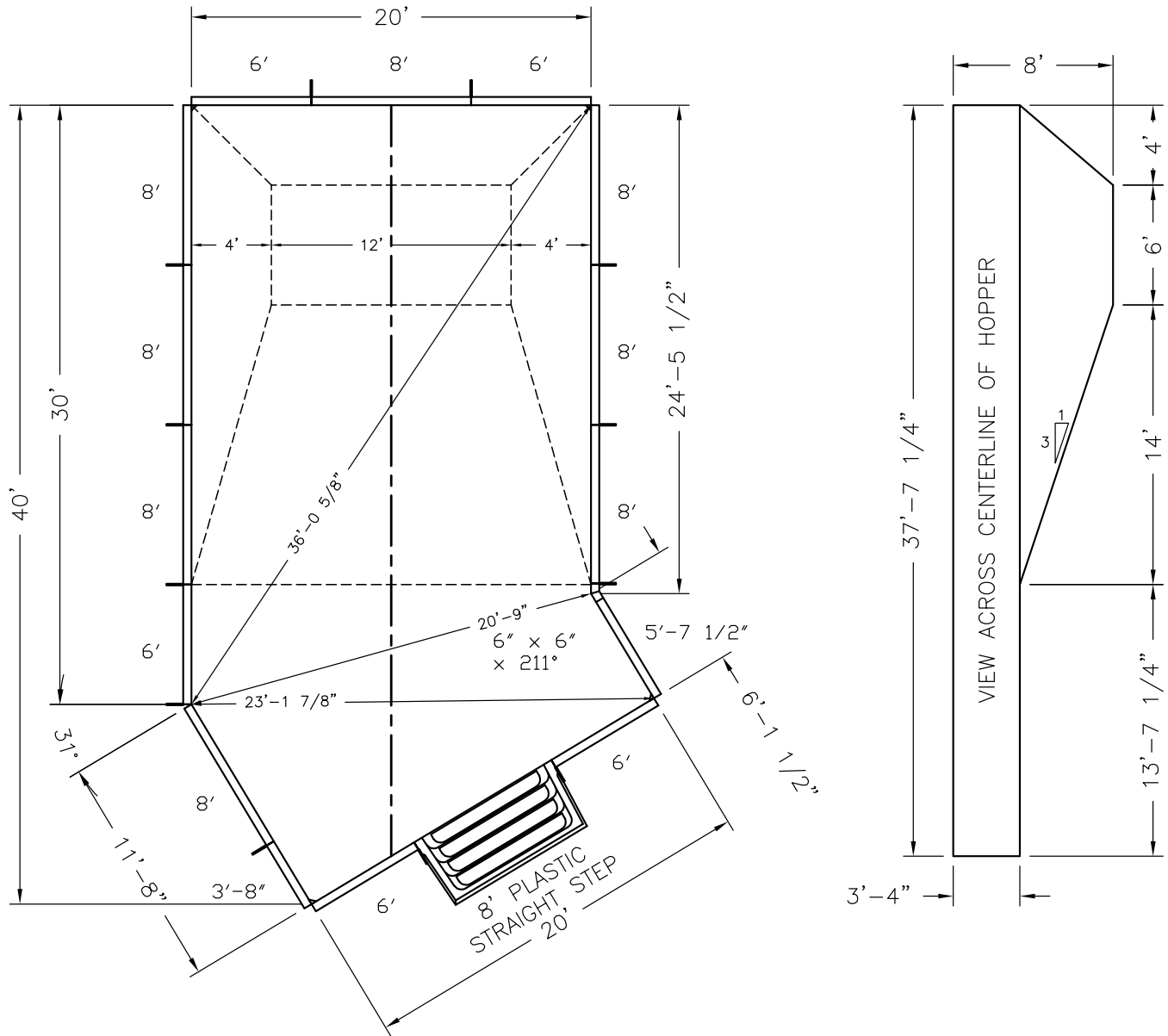


**Pool Size:** 20' X 40' **Approx Gal:** 26,278  
**Pool Shape:** LAZY ELL  
**Pool Number:** 2040LL - 6 (PLASTIC)

250 Route 61 South, Schuylkill Haven, PA 17972 • 570-385-4733 • fax: 570-385-1318 • CustomerService@CardinalSystemsinc.com

### Bill of Materials

PART NO.	QUANTITY	DESCRIPTION
"A" FRAME	12	"A" FRAME ASSEMBLY
CS902SA	4	90 DEG CORNER ANGLE
CS902SB	4	6" RAD CORNER FILLER "BIG VEE"
CS930WV-31	1	31° CORNER ANGLE
5S42380XXX0	1	3'-8" Straight PANEL w/0 Z
5S42574XXX1	1	5'-7 1/2" Straight PANEL w/1 Z
5S42600XXX1	5	6' Straight PANEL w/1 Z
5S42800XXX2	8	8' Straight PANEL w/2 Z
5T42060211060	1	6" x 6" x 211° ELL



**Date:** 5/10/2022

**Perimeter:** 112'-2 7/8"

**Drawn By:** JESSE H

**Area:** 722.4 SQ. FT.

**Scale:** 1/8" = 1'-0"

**Notes:** -----



cardinalpools.com

This information is the confidential property of Cardinal Systems, Inc. Disclosure or duplication without proper written approval is strictly prohibited. Acceptance and use of this drawing constitutes knowledge and acceptance by the user of the terms and conditions set forth in the notice and warning which accompanied this drawing is incorporated herein and made part hereof and is found on Cardinal Systems, Inc's website at www.CardinalSystemsInc.com





**Pool Size:** 16' X 39'

**Approx Gal:** 21,011

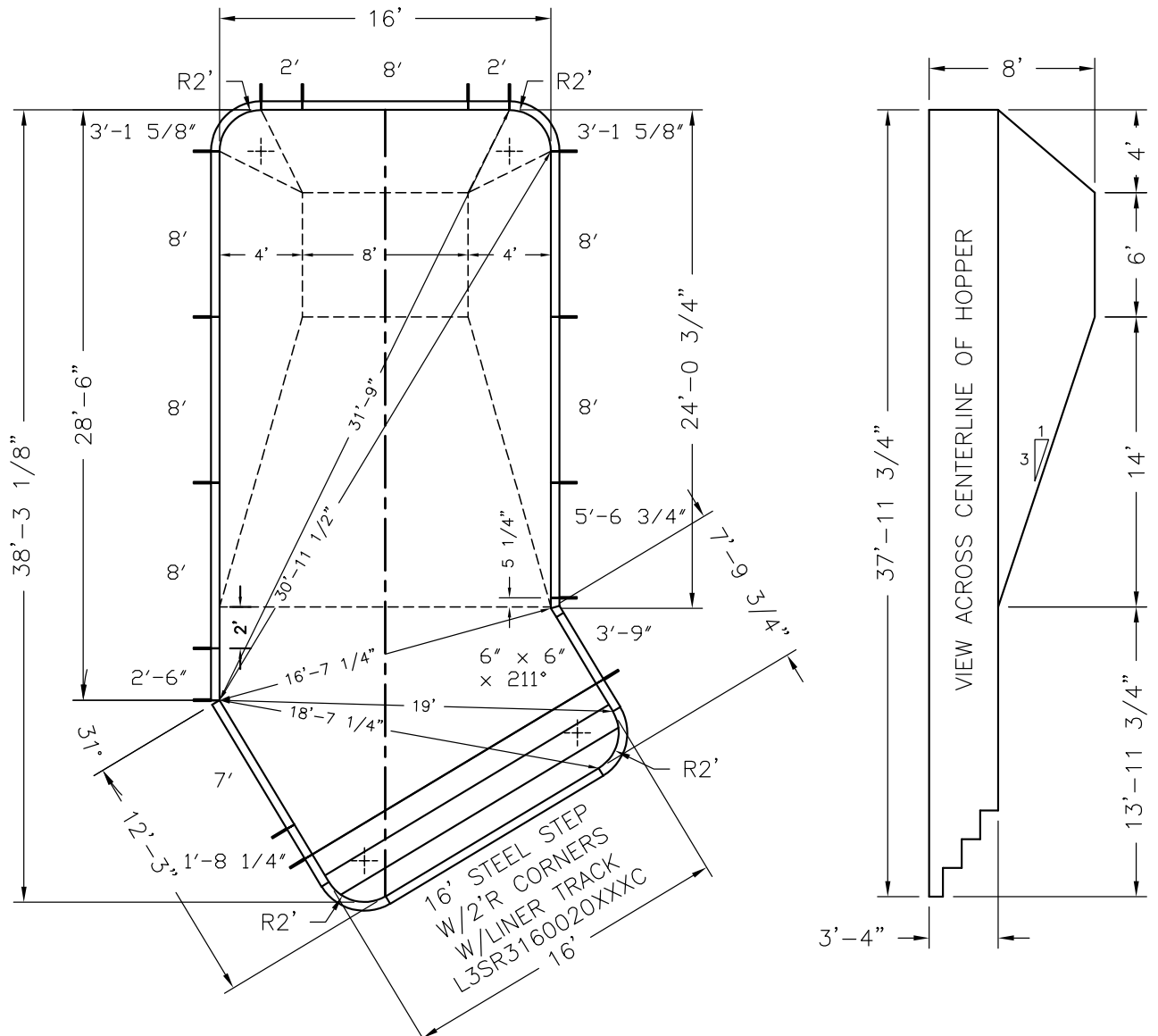
**Pool Shape:** LAZY ELL

**Pool Number:** 1639LL - 2R (STEEL L3)

250 Route 61 South, Schuylkill Haven, PA 17972 • 570-385-4733 • fax: 570-385-1318 • CustomerService@CardinalSystemsinc.com

Bill of Materials

PART NO.	QUANTITY	DESCRIPTION
"A" FRAME	16	"A" FRAME ASSEMBLY
5C42315XX02000	2	2' RADIUS CORNER
CS930WW-31	1	31° CORNER ANGLE
L3SR3160020XXXC	1	16' STEEL STEP W/2' RADIUS CORNERS W/LINER TRACK
5S42182XXX0	1	1'-8 1/4" Straight PANEL W/0 Z
5S42200XXX0	2	2' Straight PANEL W/0 Z
5S42260XXX0	1	2'-6" Straight PANEL W/0 Z
5S42390XXX0	1	3'-9" Straight PANEL W/0 Z
5S42566XXX1	1	5'-6 3/4" Straight PANEL W/1 Z
5S42700XXX2	1	7' Straight PANEL W/2 Z
5S42800XXX2	6	8' Straight PANEL W/2 Z
5T42060211060	1	6" x 6" x 211° ELL



**Date:** 5/10/2022

**Perimeter:** 101'-2 1/4"

**Drawn By:** JESSE H

**Area:** 577.6 SQ. FT.

**Scale:** 1/8" = 1'-0"

**Notes:** - - - -



cardinalpools.com

This information is the confidential property of Cardinal Systems, Inc. Disclosure or duplication without proper written approval is strictly prohibited. Acceptance and use of this drawing constitutes knowledge and acceptance by the user of the terms and conditions set forth in the notice and warning which accompanied this drawing is incorporated herein and made part hereof and is found on Cardinal Systems, Inc's website at www.CardinalSystemsInc.com

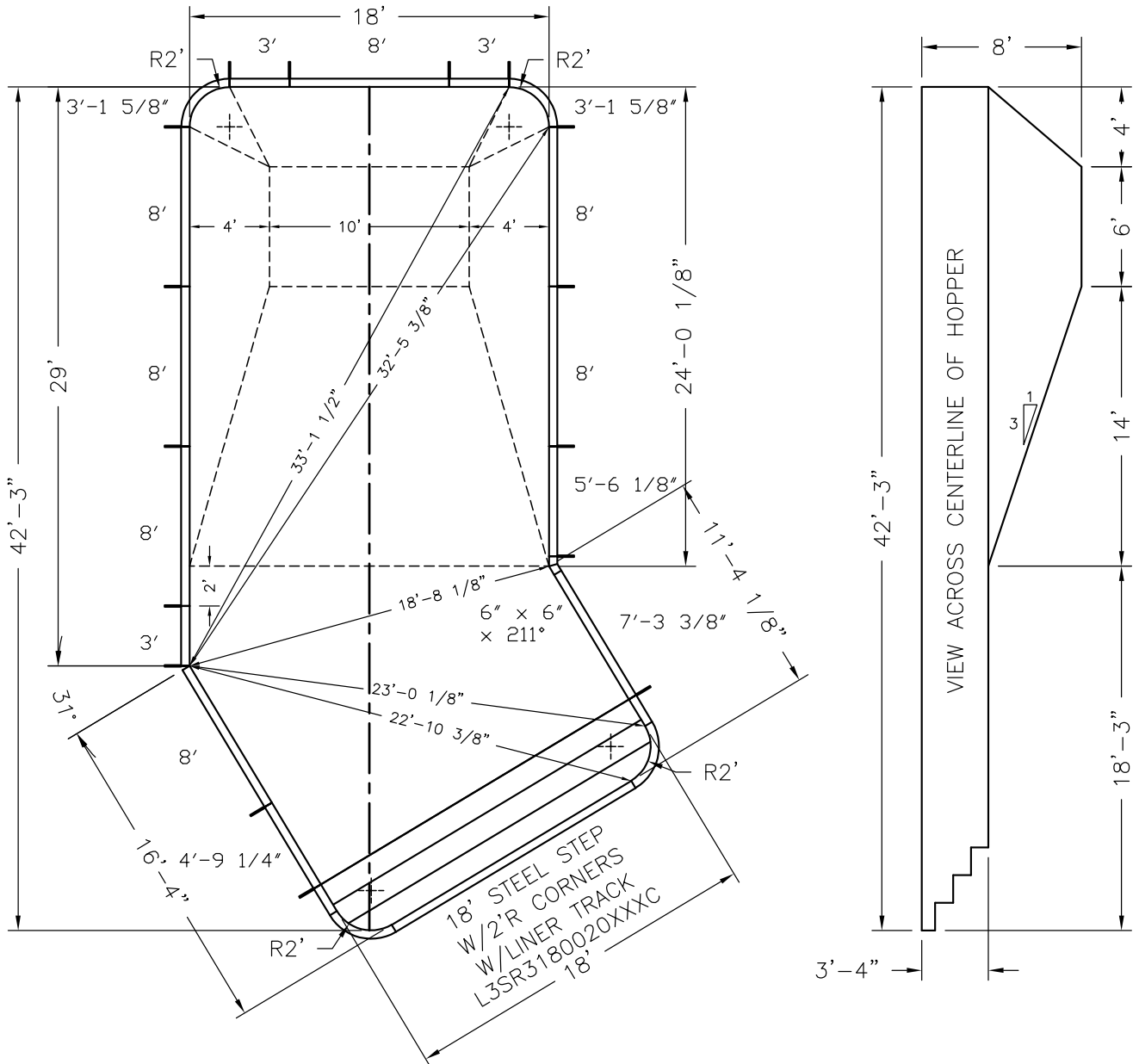



**Pool Size:** 18' X 43' **Approx Gal:** 26,412  
**Pool Shape:** LAZY ELL  
**Pool Number:** 1843LL - 2R (STEEL L3)

250 Route 61 South, Schuylkill Haven, PA 17972 • 570-385-4733 • fax: 570-385-1318 • CustomerService@CardinalSystemsinc.com

### Bill of Materials

PART NO.	QUANTITY	DESCRIPTION
"A" FRAME	16	"A" FRAME ASSEMBLY
5C42315XX02000	2	2' RADIUS CORNER
CS930WW-31	1	31° CORNER ANGLE
L3SR3180020XXXX	1	18 STEEL STEP W/2' RADIUS CORNERS W/LINER TRACK
5S42300XXX0	3	3' Straight PANEL W/0 Z
5S42492XXX0	1	4'-9 1/4" Straight PANEL W/0 Z
5S42561XXX1	1	5'-6 1/8" Straight PANEL W/1 Z
5S42733XXX2	1	7'-3 3/8" Straight PANEL W/2 Z
5S42800XXX2	7	8' Straight PANEL W/2 Z
5T42060211060	1	6" x 6" x 211° ELL



<b>Date:</b> 5/10/2022	<b>Perimeter:</b> 116'-8 1/8"	 cardinalpools.com
<b>Drawn By:</b> JESSE H	<b>Area:</b> 726.1 SQ. FT.	
<b>Scale:</b> 1/8" = 1'-0"	<b>Notes:</b> -----	

This information is the confidential property of Cardinal Systems, Inc. Disclosure or duplication without proper written approval is strictly prohibited. Acceptance and use of this drawing constitutes knowledge and acceptance by the user of the terms and conditions set forth in the notice and warning which accompanied this drawing is incorporated herein and made part hereof and is found on Cardinal Systems, Inc's website at www.CardinalSystemsInc.com



**Pool Size:** 20' X 40'

**Approx Gal:** 26,150

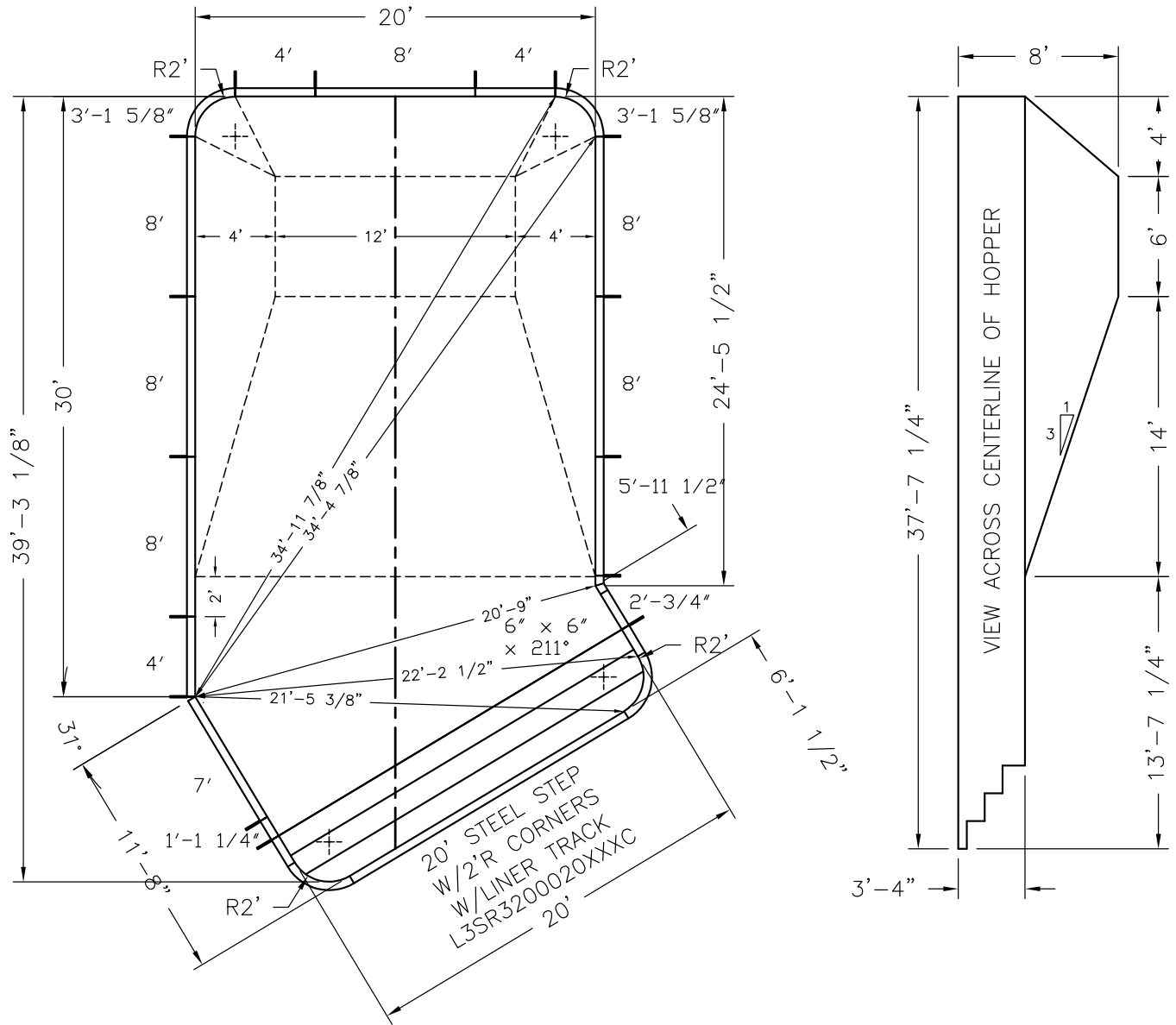
**Pool Shape:** LAZY ELL

**Pool Number:** 2040LL - 2R (STEEL L3)

250 Route 61 South, Schuylkill Haven, PA 17972 • 570-385-4733 • fax: 570-385-1318 • CustomerService@CardinalSystemsinc.com

Bill of Materials

PART NO.	QUANTITY	DESCRIPTION
"A" FRAME	16	"A" FRAME ASSEMBLY
5C42315XX02000	2	2' RADIUS CORNER
CS930WV-31	1	31° CORNER ANGLE
L3SR3200020XXXC	1	20' STEEL STEP W/2' RADIUS CORNERS W/LINER TRACK
5S42112XXX0	1	1'-1 1/4" Straight PANEL W/0 Z
5S42206XXX0	1	2'-3/4" Straight PANEL W/0 Z
5S42400XXX0	3	4" Straight PANEL W/0 Z
5S425E4XXX1	1	5'-11 1/2" Straight PANEL W/1 Z
5S42700XXX2	1	7" Straight PANEL W/2 Z
5S42800XXX2	6	8" Straight PANEL W/2 Z
5T42060211060	1	6" x 6" x 211° ELL



**Date:** 5/10/2022

**Perimeter:** 108'-9 5/8"

**Drawn By:** JESSE H

**Area:** 718.9 SQ. FT.

**Scale:** 1/8" = 1'-0"

**Notes:** -----



cardinalpools.com

This information is the confidential property of Cardinal Systems, Inc. Disclosure or duplication without proper written approval is strictly prohibited. Acceptance and use of this drawing constitutes knowledge and acceptance by the user of the terms and conditions set forth in the notice and warning which accompanied this drawing is incorporated herein and made part hereof and is found on Cardinal Systems, Inc's website at www.CardinalSystemsInc.com

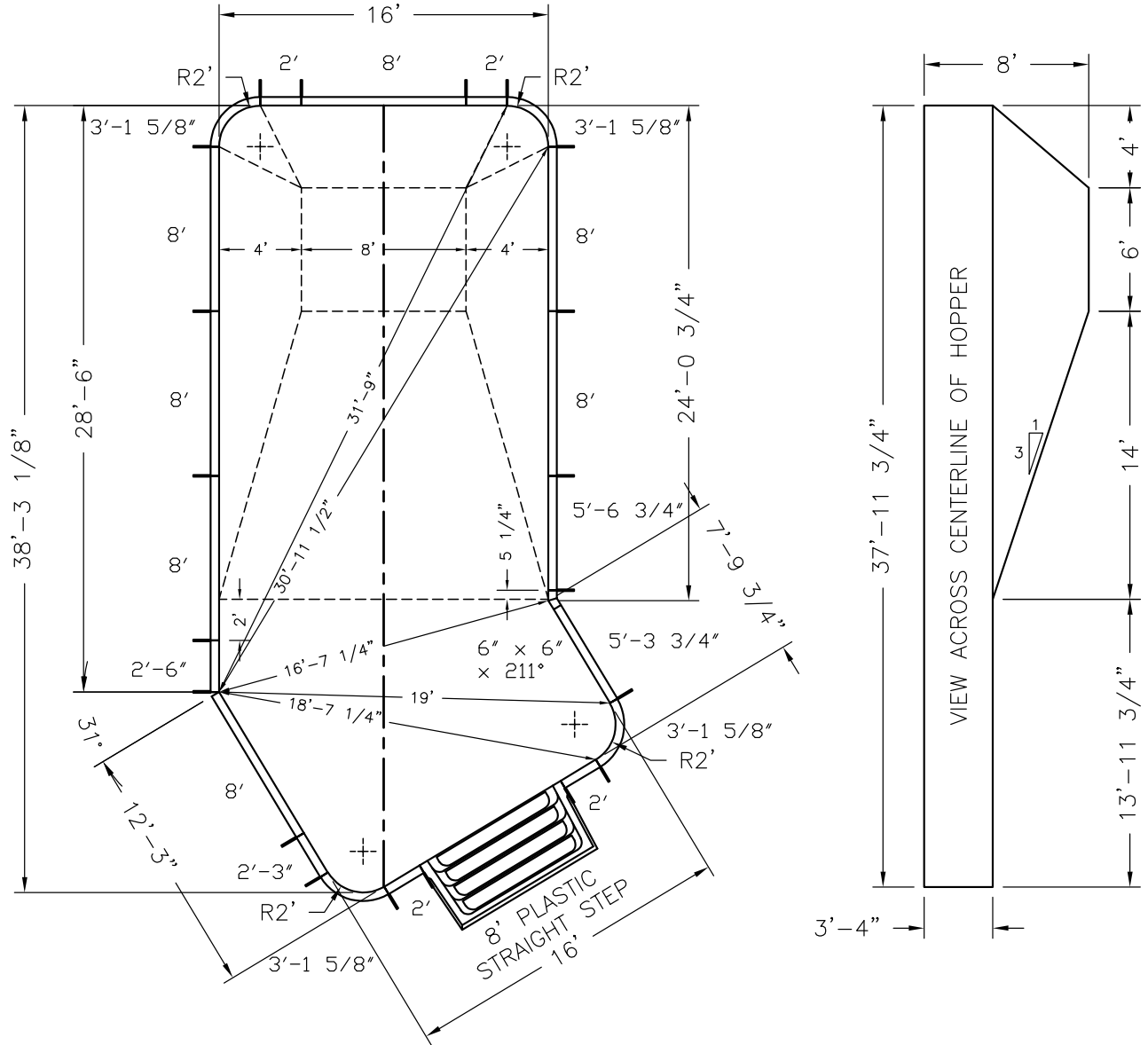


**Pool Size:** 16' X 39' **Approx Gal:** 21,011  
**Pool Shape:** LAZY ELL  
**Pool Number:** 1639LL - 2R (PLASTIC)

250 Route 61 South, Schuylkill Haven, PA 17972 • 570-385-4733 • fax: 570-385-1318 • CustomerService@CardinalSystemsinc.com

### Bill of Materials

PART NO.	QUANTITY	DESCRIPTION
"A" FRAME	20	"A" FRAME ASSEMBLY
5C42315XX02000	4	2' RADIUS CORNER
CS930WW-31	1	31° CORNER ANGLE
5S42200XXX0	4	2' Straight PANEL W/0 Z
5S42230XXX0	1	2'-3" Straight PANEL W/0 Z
5S42260XXX0	1	2'-6" Straight PANEL W/0 Z
5S42536XXX0	1	5'-3 3/4" Straight PANEL W/0 Z
5S42566XXX1	1	5'-6 3/4" Straight PANEL W/1 Z
5S42800XXX2	7	8' Straight PANEL W/2 Z
5T42060211060	1	6" x 6" x 211° ELL



Date: 5/10/2022

Perimeter: 101'-2 1/4"

Drawn By: JESSE H

Area: 577.6 SQ. FT.

Scale: 1/8" = 1'-0"

Notes: -----



cardinalpools.com

This information is the confidential property of Cardinal Systems, Inc. Disclosure or duplication without proper written approval is strictly prohibited. Acceptance and use of this drawing constitutes knowledge and acceptance by the user of the terms and conditions set forth in the notice and warning which accompanied this drawing is incorporated herein and made part hereof and is found on Cardinal Systems, Inc's website at www.CardinalSystemsInc.com



Pool Size: 18' X 43'

Approx Gal: 21,011

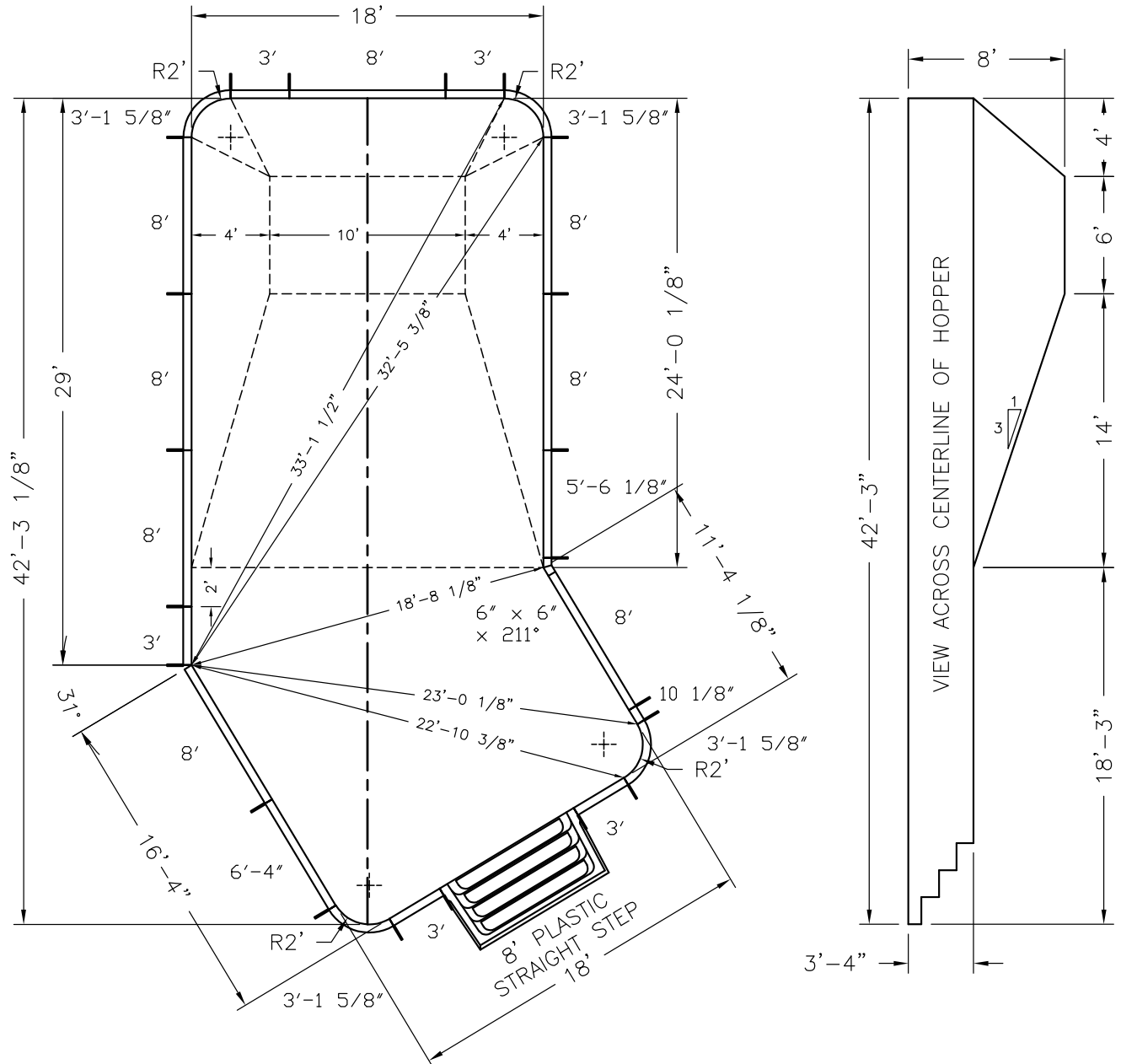
Pool Shape: LAZY ELL

Pool Number: 1843LL - 2R (PLASTIC)

250 Route 61 South, Schuylkill Haven, PA 17972 • 570-385-4733 • fax: 570-385-1318 • CustomerService@CardinalSystemsinc.com

Bill of Materials

PART NO.	QUANTITY	DESCRIPTION
"A" FRAME	21	"A" FRAME ASSEMBLY
5C42315XX02000	4	2' RADIUS CORNER
CS930WW-31	1	31° CORNER ANGLE
5S42011XXX0	1	1 1/8" Straight PANEL W/0 Z
5S42300XXX0	5	3' Straight PANEL W/0 Z
5S42561XXX1	1	5'-6 1/8" Straight PANEL W/1 Z
5S42640XXX1	1	6'-4" Straight PANEL W/1 Z
5S42800XXX2	8	8' Straight PANEL W/2 Z
5T42060211060	1	6" x 6" x 211° ELL



Date: 5/10/2022

Perimeter: 116'-8 1/8"

Drawn By: JESSE H

Area: 726.1 SQ. FT.

Scale: 1/8" = 1'-0"

Notes: - - - -



cardinalpools.com

This information is the confidential property of Cardinal Systems, Inc. Disclosure or duplication without proper written approval is strictly prohibited. Acceptance and use of this drawing constitutes knowledge and acceptance by the user of the terms and conditions set forth in the notice and warning which accompanied this drawing is incorporated herein and made part hereof and is found on Cardinal Systems, Inc's website at www.CardinalSystemsInc.com

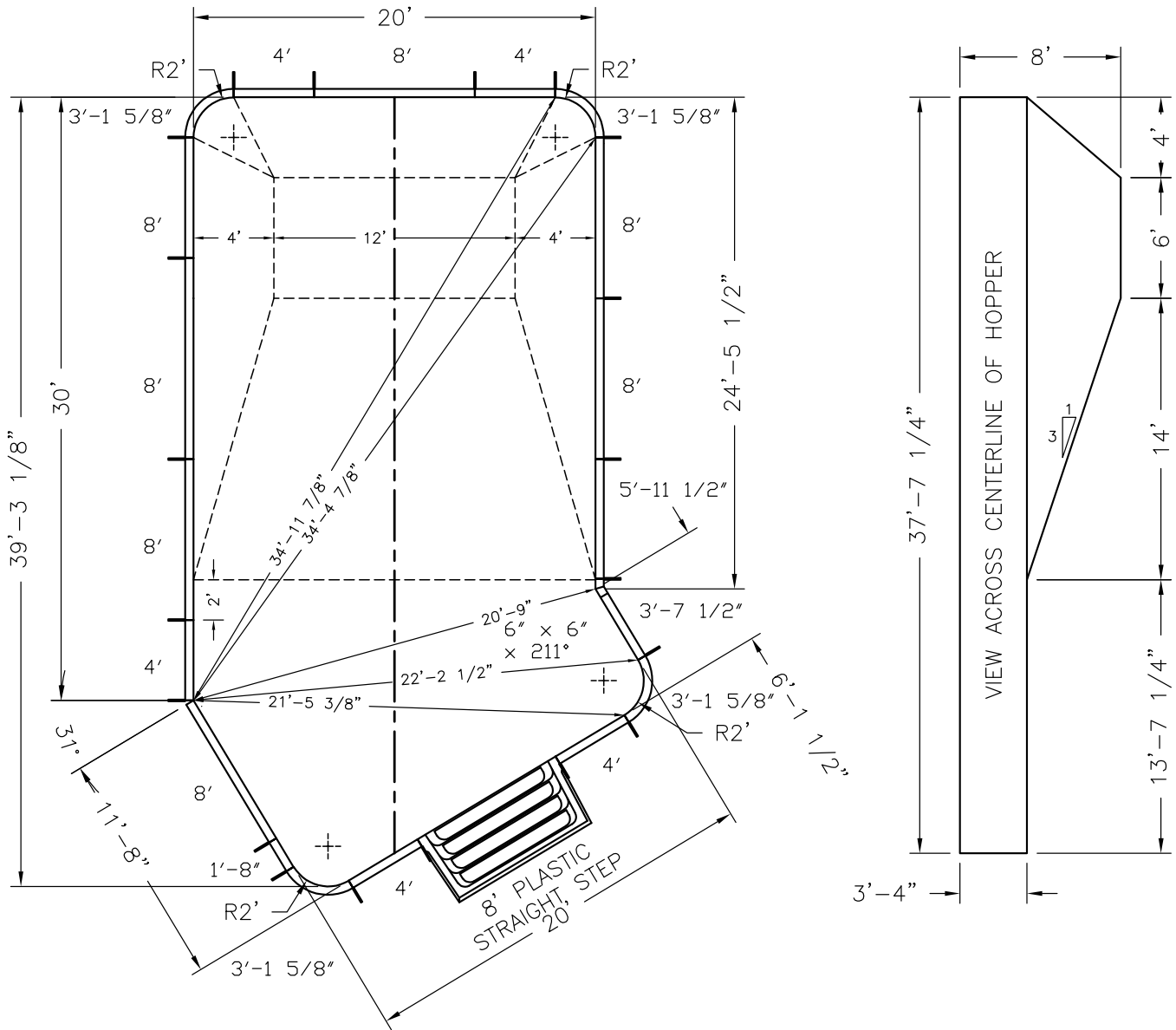


**Pool Size:** 20' X 40' **Approx Gal:** 26,150  
**Pool Shape:** LAZY ELL  
**Pool Number:** 2040LL - 2R (PLASTIC)

250 Route 61 South, Schuylkill Haven, PA 17972 • 570-385-4733 • fax: 570-385-1318 • CustomerService@CardinalSystemsinc.com

### Bill of Materials

PART NO.	QUANTITY	DESCRIPTION
"A" FRAME	20	"A" FRAME ASSEMBLY
5C42315XX02000	4	2' RADIUS CORNER
CS930WW-31	1	31° CORNER ANGLE
5S42180XXX0	1	1'-8" Straight PANEL W/0 Z
5S42374XXX0	1	3'-7 1/2" Straight PANEL W/0 Z
5S42400XXX0	5	4' Straight PANEL W/0 Z
5S425E4XXX0	1	5'-11 1/2" Straight PANEL W/0 Z
5S42800XXX2	7	8' Straight PANEL W/2 Z
5T42060211060	1	6" x 6" x 211° ELL



**Date:** 5/10/2022

**Drawn By:** JESSE H

**Scale:** 1/8" = 1'-0"

**Perimeter:** 108'-9 5/8"

**Area:** 718.9 SQ. FT.

**Notes:** -----



cardinalpools.com

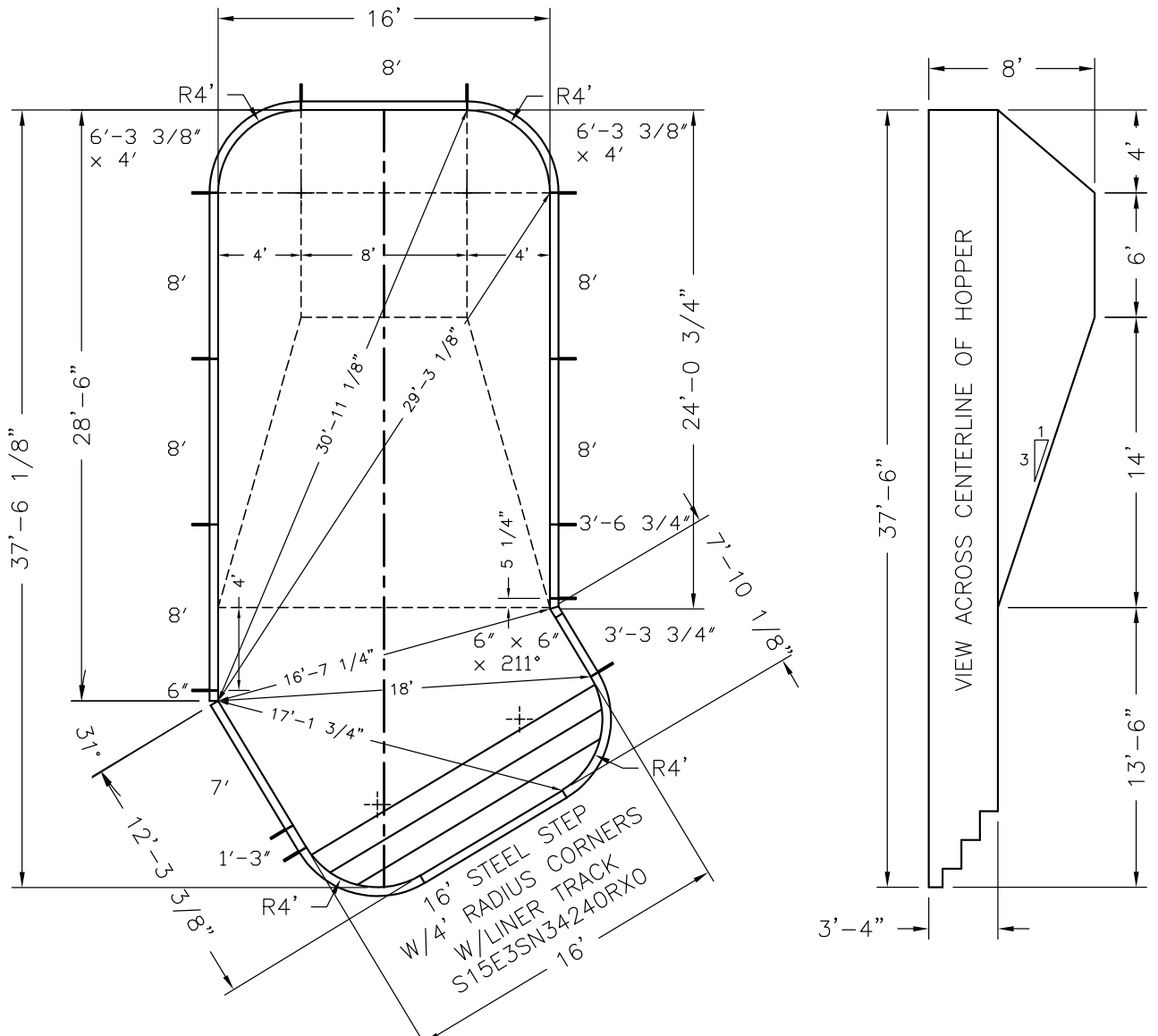


**Pool Size:** 16' X 39'      **Approx Gal:** 20,636  
**Pool Shape:** LAZY ELL  
**Pool Number:** 1639LL - 4R (STEEL)

250 Route 61 South, Schuylkill Haven, PA 17972 • 570-385-4733 • fax: 570-385-1318 • [CustomerService@CardinalSystemsinc.com](mailto:CustomerService@CardinalSystemsinc.com)

### Bill of Materials

PART NO.	QUANTITY	DESCRIPTION
"A" FRAME	13	"A" FRAME ASSEMBLY
CS930W-31	1	31° CORNER ANGLE
S15E3SN34240RX0	1	16' STEEL STEP W/4' RADIUS CORNERS W/LINER TRACK
5C42633XX04000	2	6'-3 3/8" x 4' Radius C PANEL W/0 Z
5S42060XXX0	1	6" Straight PANEL W/0 Z
5S42130XXX0	1	1'-3" Straight PANEL W/0 Z
5S42336XXX0	1	3'-3 3/4" Straight PANEL W/0 Z
5S42366XXX0	1	3'-6 3/4" Straight PANEL W/0 Z
5S42700XXX2	1	7' Straight PANEL W/2 Z
5S42800XXX2	6	8' Straight PANEL W/2 Z
5T42060211060	1	6" x 6" x 211° ELL



<b>Date:</b> 5/10/2022	<b>Perimeter:</b> 97'-9 1/8"	
<b>Drawn By:</b> JESSE H	<b>Area:</b> 567.3 SQ. FT.	
<b>Scale:</b> 1/8" = 1'-0"	<b>Notes:</b> - - - -	

This information is the confidential property of Cardinal Systems, Inc. Disclosure or duplication without proper written approval is strictly prohibited. Acceptance and use of this drawing constitutes knowledge and acceptance by the user of the terms and conditions set forth in the notice and warning which accompanied this drawing is incorporated herein and made part hereof and is found on Cardinal Systems, Inc's website at [www.CardinalSystemsInc.com](http://www.CardinalSystemsInc.com)

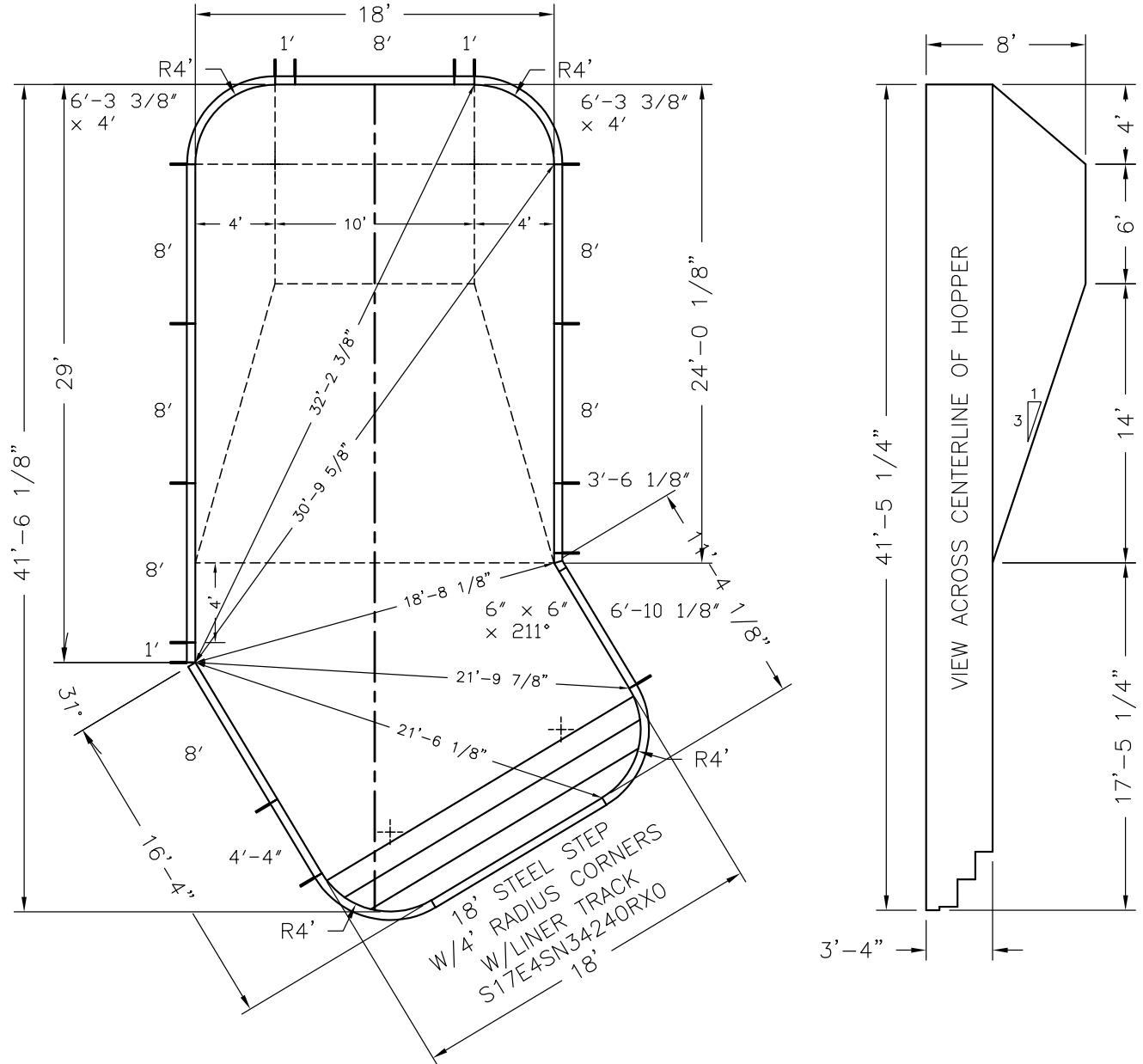


**Pool Size:** 18' X 43' **Approx Gal:** 25,914  
**Pool Shape:** LAZY ELL  
**Pool Number:** 1843LL - 4R (STEEL)

250 Route 61 South, Schuylkill Haven, PA 17972 • 570-385-4733 • fax: 570-385-1318 • CustomerService@CardinalSystemsinc.com

Bill of Materials

PART NO.	QUANTITY	DESCRIPTION
"A" FRAME	16	"A" FRAME ASSEMBLY
CS930WW-31	1	31° CORNER ANGLE
S17E4SN34240RX0	1	18' STEEL STEP W/4' RADIUS CORNERS W/LINER TRACK
5C42633XX04000	2	6'-3 3/8" x 4' Radius C PANEL W/0 Z
5S42100XXX0	3	1' Straight PANEL W/0 Z
5S42361XXX0	1	3'-6 1/8" Straight PANEL W/0 Z
5S42440XXX0	1	4'-4" Straight PANEL W/0 Z
5S426T1XXX1	1	6'-10 1/8" Straight PANEL W/1 Z
5S42800XXX2	7	8' Straight PANEL W/2 Z
5T42060211060	1	6" x 6" x 211° ELL



<b>Date:</b> 5/10/2022	<b>Perimeter:</b> 109'-9 3/4"
<b>Drawn By:</b> JESSE H	<b>Area:</b> 712.4 SQ. FT.
<b>Scale:</b> 1/8" = 1'-0"	<b>Notes:</b> -----



This information is the confidential property of Cardinal Systems, Inc. Disclosure or duplication without proper written approval is strictly prohibited. Acceptance and use of this drawing constitutes knowledge and acceptance by the user of the terms and conditions set forth in the notice and warning which accompanied this drawing is incorporated herein and made part hereof and is found on Cardinal Systems, Inc's website at www.CardinalSystemsInc.com





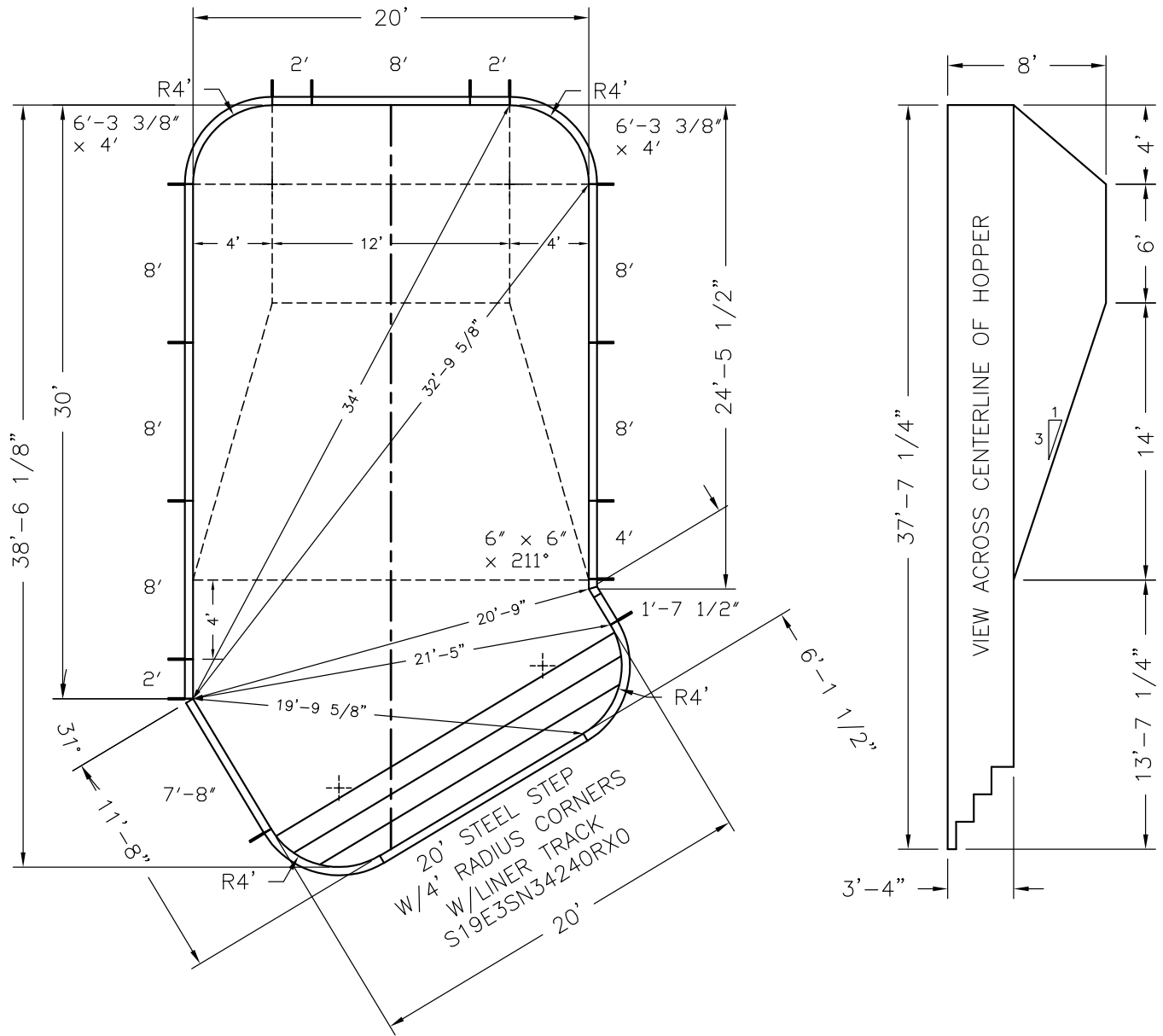
**Pool Size:** 20' X 40'  
**Pool Shape:** LAZY ELL  
**Pool Number:** 2040LL - 4R (STEEL)

**Approx Gal:** 25,779

250 Route 61 South, Schuylkill Haven, PA 17972 • 570-385-4733 • fax: 570-385-1318 • CustomerService@CardinalSystemsinc.com

### Bill of Materials

PART NO.	QUANTITY	DESCRIPTION
"A" FRAME	15	"A" FRAME ASSEMBLY
CS930WV-31	1	31° CORNER ANGLE
S19E3SN34240RX0	1	20' STEEL STEP W/4' RADIUS CORNERS W/LINER TRACK
5C42633XX04000	2	6'-3 3/8" x 4' Radius C PANEL W/0 Z
5S42174XXX0	1	1'-7 1/2" Straight PANEL W/0 Z
5S42200XXX0	3	2' Straight PANEL W/0 Z
5S42400XXX0	1	4' Straight PANEL W/0 Z
5S42780XXX2	1	7'-8" Straight PANEL W/2 Z
5S42800XXX2	6	8' Straight PANEL W/2 Z
5T42060211060	1	6" x 6" x 211° ELL



**Date:** 5/10/2022

**Perimeter:** 105'-4 1/2"

**Drawn By:** JESSE H

**Area:** 708.7 SQ. FT.

**Scale:** 1/8" = 1'-0"

**Notes:** - - - -



cardinalpools.com

This information is the confidential property of Cardinal Systems, Inc. Disclosure or duplication without proper written approval is strictly prohibited. Acceptance and use of this drawing constitutes knowledge and acceptance by the user of the terms and conditions set forth in the notice and warning which accompanied this drawing is incorporated herein and made part hereof and is found on Cardinal Systems, Inc's website at www.CardinalSystemsInc.com



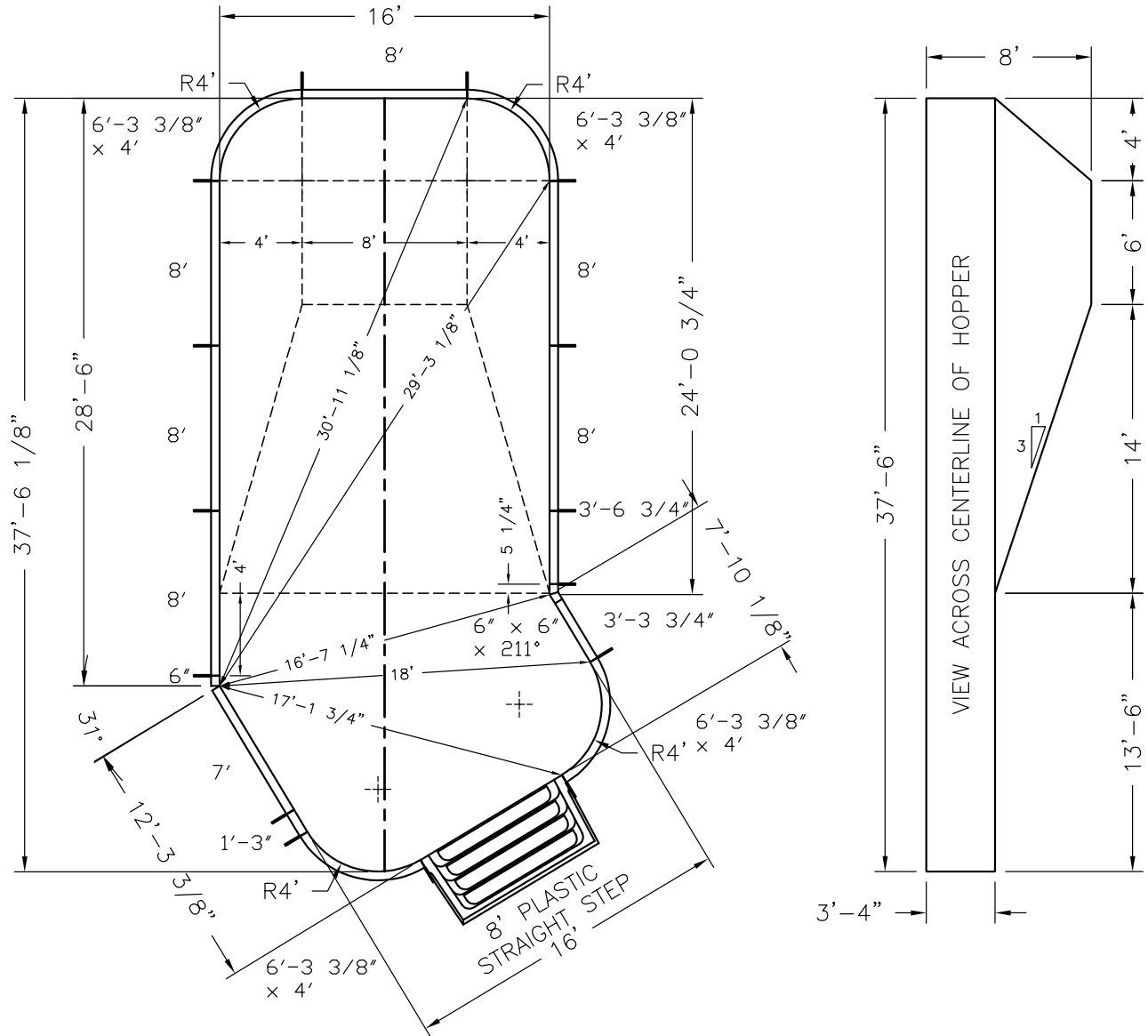
**Pool Size:** 16' X 39'  
**Pool Shape:** LAZY ELL  
**Pool Number:** 1639LL - 4R (PLASTIC)

**Approx Gal:** 20,636

250 Route 61 South, Schuylkill Haven, PA 17972 • 570-385-4733 • fax: 570-385-1318 • CustomerService@CardinalSystemsinc.com

Bill of Materials

PART NO.	QUANTITY	DESCRIPTION
"A" FRAME	15	"A" FRAME ASSEMBLY
CS930WW-31	1	31° CORNER ANGLE
5C42633XX04000	4	6'-3 3/8" x 4' Radius C PANEL W/0 Z
5S42060XXX0	1	6" Straight PANEL W/0 Z
5S42130XXX0	1	1'-3" Straight PANEL W/0 Z
5S42336XXX0	1	3'-3 3/4" Straight PANEL W/0 Z
5S42366XXX0	1	3'-6 3/4" Straight PANEL W/0 Z
5S42700XXX2	1	7" Straight PANEL W/2 Z
5S42800XXX2	6	8" Straight PANEL W/2 Z
5T42060211060	1	6" x 6" x 211° ELL



Date: 5/10/2022

Perimeter: 97'-9 1/8"

Drawn By: JESSE H

Area: 567.3 SQ. FT.

Scale: 1/8" = 1'-0"

Notes: -----



cardinalpools.com

This information is the confidential property of Cardinal Systems, Inc. Disclosure or duplication without proper written approval is strictly prohibited. Acceptance and use of this drawing constitutes knowledge and acceptance by the user of the terms and conditions set forth in the notice and warning which accompanied this drawing is incorporated herein and made part hereof and is found on Cardinal Systems, Inc's website at www.CardinalSystemsInc.com

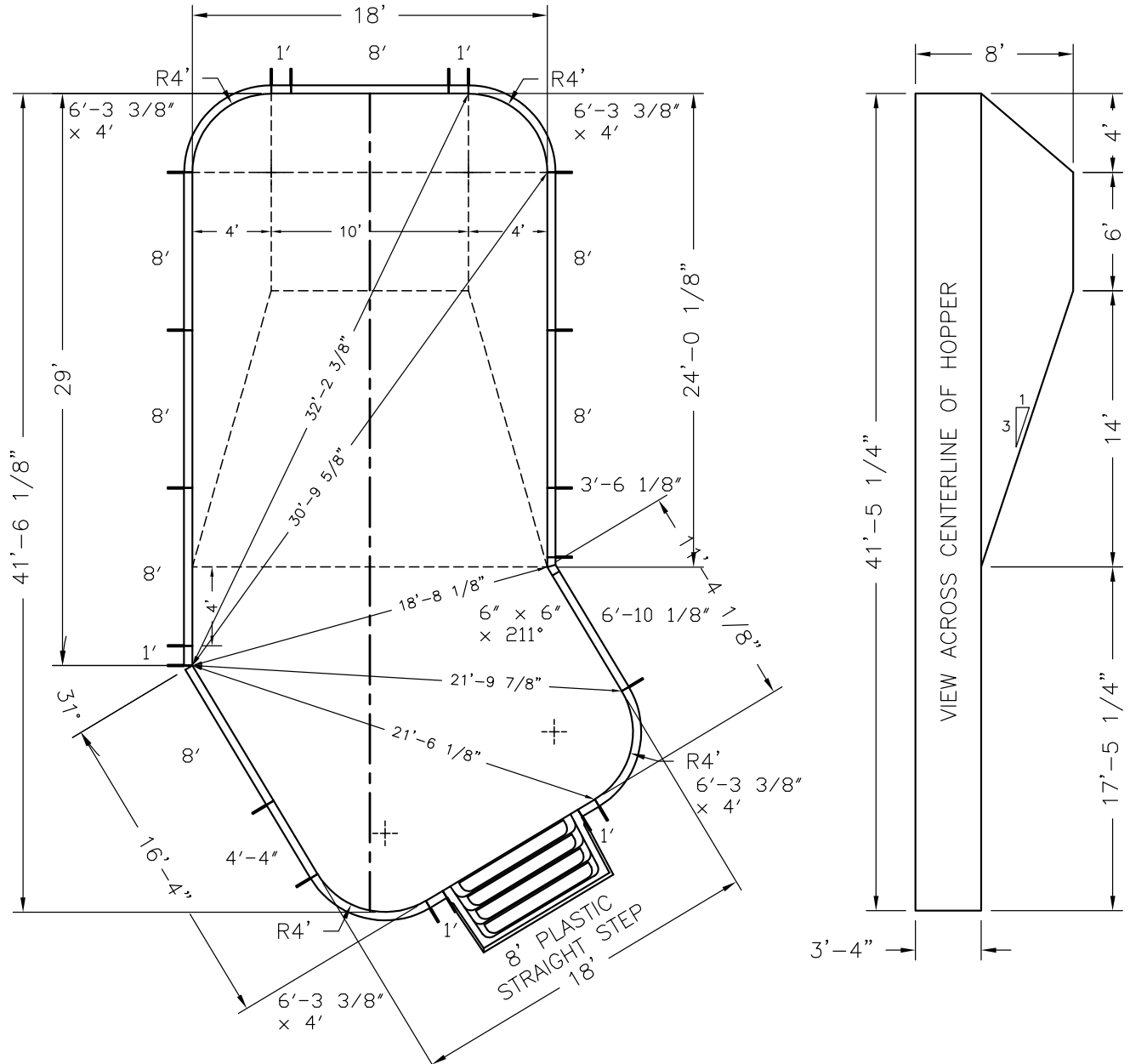


**Pool Size:** 18' X 43'      **Approx Gal:** 25,914  
**Pool Shape:** LAZY ELL  
**Pool Number:** 1843LL - 4R (PLASTIC)

250 Route 61 South, Schuylkill Haven, PA 17972 • 570-385-4733 • fax: 570-385-1318 • CustomerService@CardinalSystemsinc.com

Bill of Materials

PART NO.	QUANTITY	DESCRIPTION
"A" FRAME	20	"A" FRAME ASSEMBLY
CS930WV-31	1	31° CORNER ANGLE
5C42633XX04000	4	6'-3 3/8" x 4' Radius C PANEL W/0 Z
5S42100XXX0	5	1" Straight PANEL W/0 Z
5S42361XXX0	1	3'-6 1/8" Straight PANEL W/0 Z
5S42440XXX0	1	4'-4" Straight PANEL W/0 Z
5S42611XXX1	1	6'-10 1/8" Straight PANEL W/1 Z
5S42800XXX2	7	8" Straight PANEL W/2 Z
5T42060211060	1	6" x 6" x 211° ELL



**Date:** 5/10/2022

**Perimeter:** 109'-9 3/4"

**Drawn By:** JESSE H

**Area:** 712.4 SQ. FT.

**Scale:** 1/8" = 1'-0"

**Notes:** - - - -



cardinalpools.com

This information is the confidential property of Cardinal Systems, Inc. Disclosure or duplication without proper written approval is strictly prohibited. Acceptance and use of this drawing constitutes knowledge and acceptance by the user of the terms and conditions set forth in the notice and warning which accompanied this drawing is incorporated herein and made part hereof and is found on Cardinal Systems, Inc's website at www.CardinalSystemsInc.com

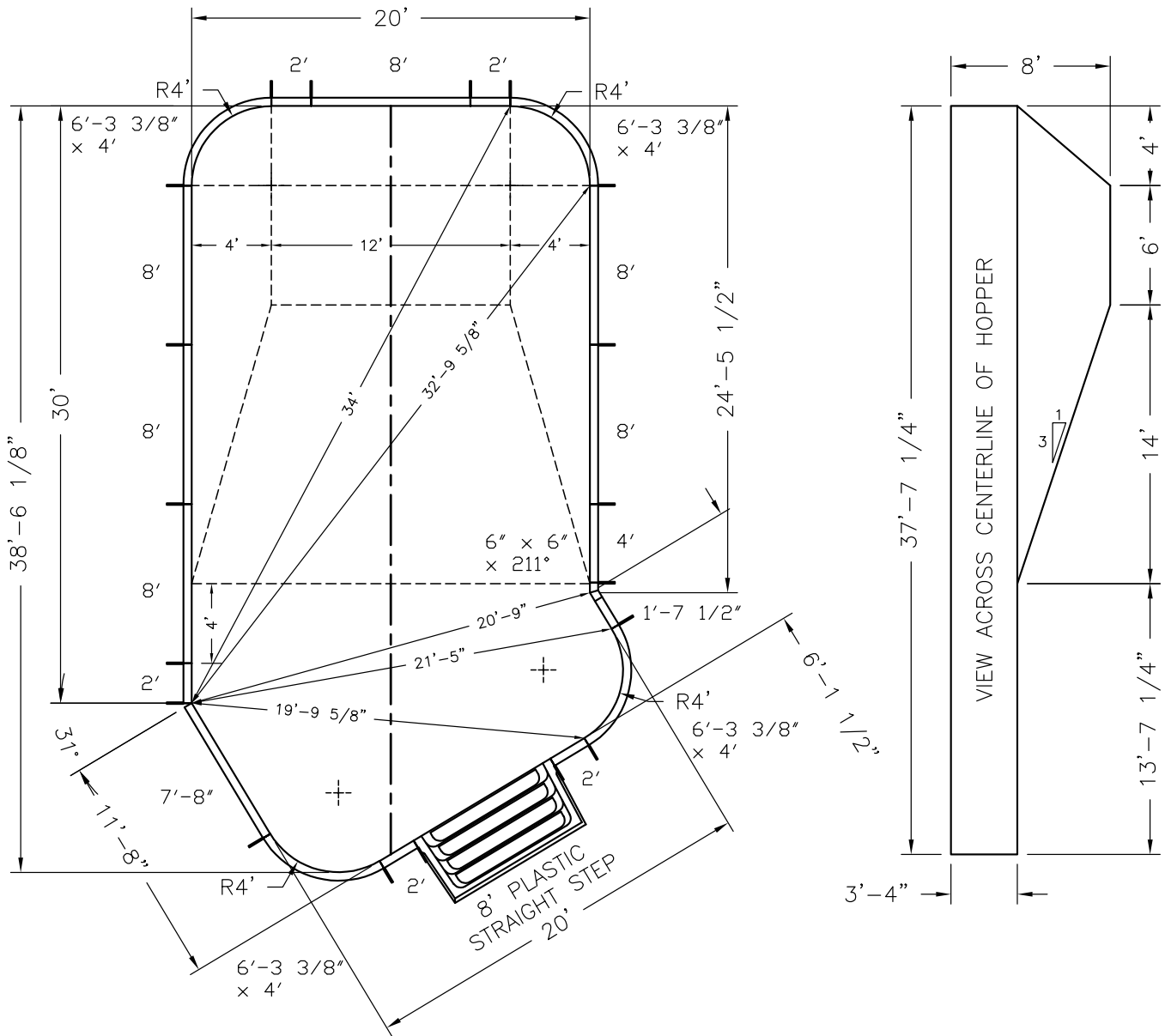


**Pool Size:** 20' X 40' **Approx Gal:** 25,779  
**Pool Shape:** LAZY ELL  
**Pool Number:** 2040LL - 4R (PLASTIC)

250 Route 61 South, Schuylkill Haven, PA 17972 • 570-385-4733 • fax: 570-385-1318 • CustomerService@CardinalSystemsInc.com

### Bill of Materials

PART NO.	QUANTITY	DESCRIPTION
"A" FRAME	19	"A" FRAME ASSEMBLY
CS930W-31	1	31° CORNER ANGLE
5C42633XX04000	4	6'-3 3/8" x 4' Radius C PANEL W/0 Z
5S42174XXX0	1	1'-7 1/2" Straight PANEL W/0 Z
5S42200XXX0	5	2' Straight PANEL W/0 Z
5S42400XXX0	1	4' Straight PANEL W/0 Z
5S42780XXX2	1	7'-8" Straight PANEL W/2 Z
5S42800XXX2	6	8' Straight PANEL W/2 Z
5T42060211060	1	6" x 6" x 211° ELL



Date: 5/10/2022

Drawn By: JESSE H

Scale: 1/8" = 1'-0"

Perimeter: 105'-4 1/2"

Area: 708.7 SQ. FT.

Notes: -----



cardinalpools.com

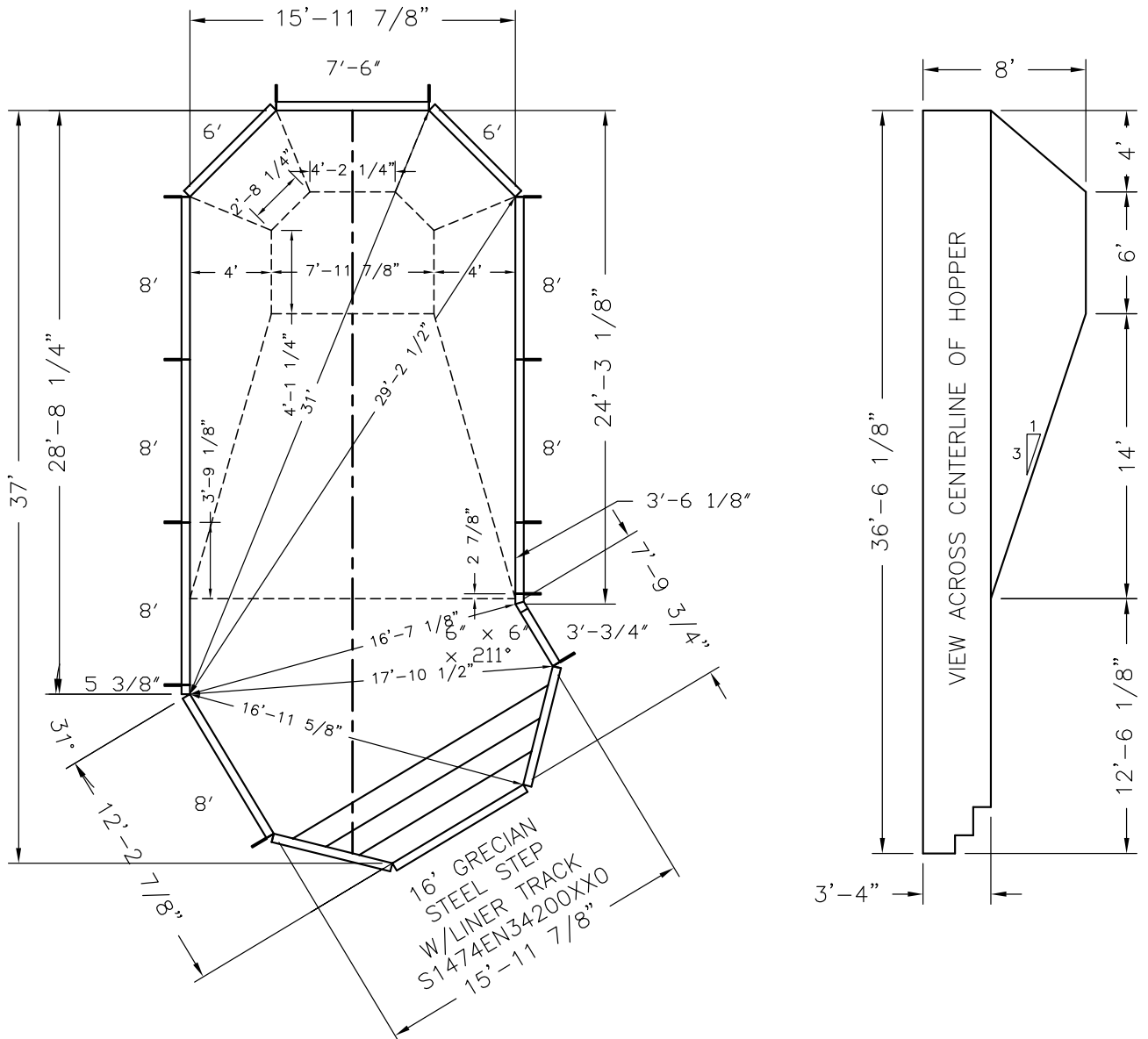


**Pool Size:** 16' X 37' **Approx Gal:** 19,916  
**Pool Shape:** LAZY ELL GRECIAN  
**Pool Number:** 1637LLGR - (STEEL)

250 Route 61 South, Schuylkill Haven, PA 17972 • 570-385-4733 • fax: 570-385-1318 • CustomerService@CardinalSystemsInc.com

Bill of Materials

PART NO.	QUANTITY	DESCRIPTION
"A" FRAME	12	"A" FRAME ASSEMBLY
CS901GC	6	GRECIAN CORNER ANGLE
CS930WV-31	1	31° CORNER ANGLE
STEP 1	1	16' GRECIAN STEEL STEP W/LINER TRACK
5S42053XXX0	1	5 3/8" Straight PANEL W/0 Z
5S42306XXX0	1	3'-3/4" Straight PANEL W/0 Z
5S42361XXX0	1	3'-6 1/8" Straight PANEL W/0 Z
5S42600XXX1	2	6" Straight PANEL W/1 Z
5S42760XXX2	1	7'-6" Straight PANEL W/2 Z
5S42800XXX2	6	8" Straight PANEL W/2 Z
5T42060211060	1	6" x 6" x 211° ELL



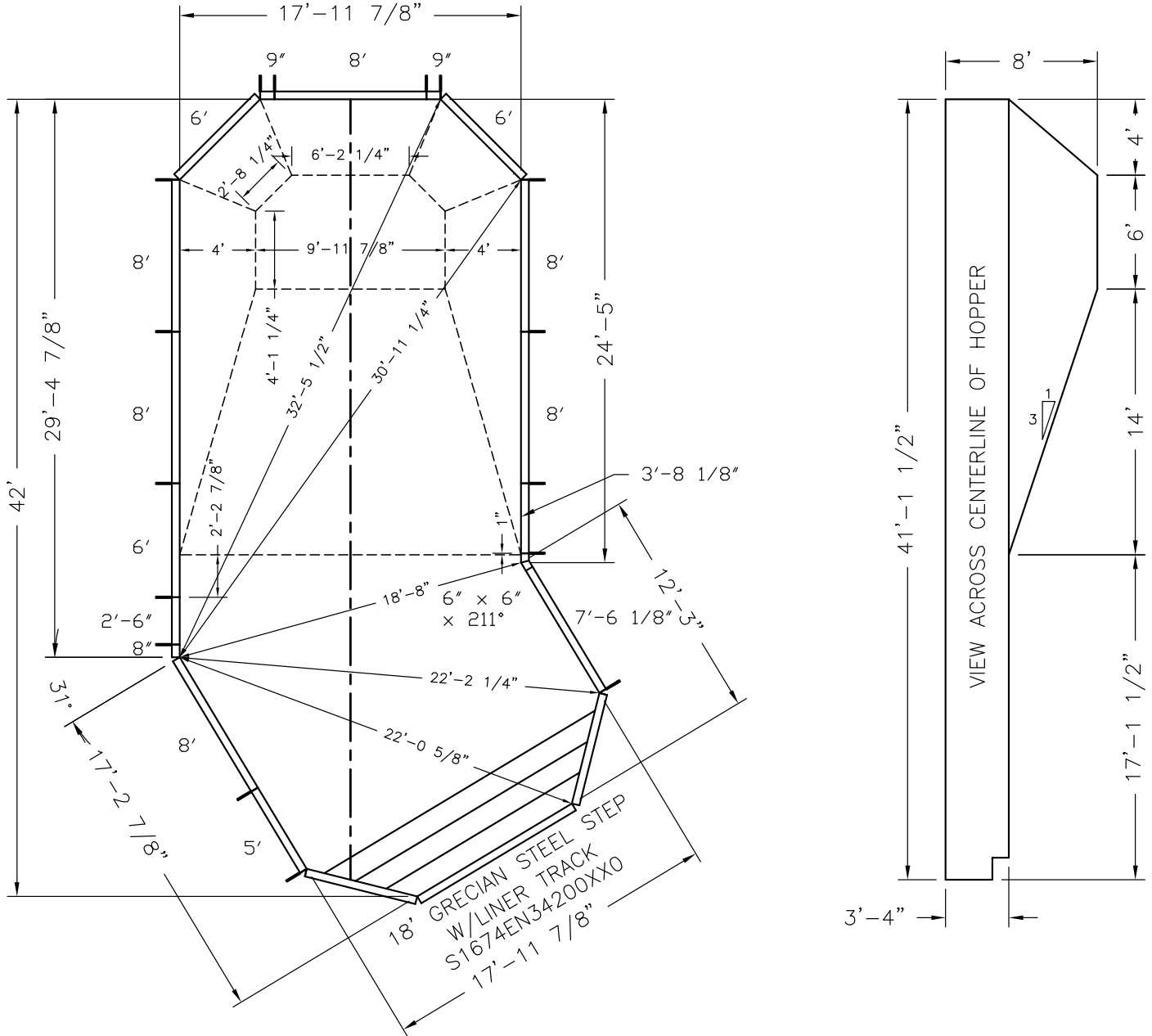
<b>Date:</b> 5/10/2022	<b>Perimeter:</b> 95'-0 3/8"	
<b>Drawn By:</b> JESSE H	<b>Area:</b> 547.5 SQ. FT.	
<b>Scale:</b> 1/8" = 1'-0"	<b>Notes:</b> -----	


This information is the confidential property of Cardinal Systems, Inc. Disclosure or duplication without proper written approval is strictly prohibited. Acceptance and use of this drawing constitutes knowledge and acceptance by the user of the terms and conditions set forth in the notice and warning which accompanied this drawing is incorporated herein and made part hereof and is found on Cardinal Systems, Inc's website at www.CardinalSystemsInc.com



**Pool Size:** 18' X 42'      **Approx Gal:** 25,947  
**Pool Shape:** LAZY ELL GRECIAN  
**Pool Number:** 1842LLGR – (STEEL)

250 Route 61 South, Schuylkill Haven, PA 17972 • 570-385-4733 • fax: 570-385-1318 • CustomerService@CardinalSystemsinc.com



<b>Date:</b> 5/10/2022	<b>Perimeter:</b> 109'-4 1/4"	 cardinalpools.com
<b>Drawn By:</b> JESSE H	<b>Area:</b> 713.3 SQ. FT.	
<b>Scale:</b> 1/8" = 1'-0"	<b>Notes:</b> -----	

This information is the confidential property of Cardinal Systems, Inc. Disclosure or duplication without proper written approval is strictly prohibited. Acceptance and use of this drawing constitutes knowledge and acceptance by the user of the terms and conditions set forth in the notice and warning which accompanied this drawing is incorporated herein and made part hereof and is found on Cardinal Systems, Inc's website at www.CardinalSystemsInc.com




**Pool Size:** 18' X 42'      **Approx Gal:** 25,947  
**Pool Shape:** LAZY ELL GRECIAN  
**Pool Number:** 1842LLGR – (STEEL)

250 Route 61 South, Schuylkill Haven, PA 17972 • 570-385-4733 • fax: 570-385-1318 • CustomerService@CardinalSystemsinc.com

Bill of Materials

PART NO.	QUANTITY	DESCRIPTION
"A" FRAME	16	"A" FRAME ASSEMBLY
CS901GC	6	GRECIAN CORNER ANGLE
CS930WW-31	1	31° CORNER ANGLE
S1674EN34200XX0	1	18' GRECIAN STEEL STEP W/LINER TRACK
5S42080XXX0	1	8' Straight PANEL W/0 Z
5S42090XXX0	2	9' Straight PANEL W/0 Z
5S42260XXX0	1	2'-6" Straight PANEL W/0 Z
5S42381XXX0	1	3'-8 1/8" Straight PANEL W/0 Z
5S42500XXX0	1	5' Straight PANEL W/0 Z
5S42600XXX1	3	6' Straight PANEL W/1 Z
5S42761XXX2	1	7'-6 1/8" Straight PANEL W/2 Z
5S42800XXX2	6	8' Straight PANEL W/2 Z
5T42060211060	1	6" x 6" x 211° ELL

<b>Date:</b> 5/10/2022	<b>Perimeter:</b> 109'-4 1/4"	 <small>cardinalpools.com</small>
<b>Drawn By:</b> JESSE H	<b>Area:</b> 713.3 SQ. FT.	
<b>Scale:</b> 1/8" = 1'-0"	<b>Notes:</b> -----	

This information is the confidential property of Cardinal Systems, Inc. Disclosure or duplication without proper written approval is strictly prohibited. Acceptance and use of this drawing constitutes knowledge and acceptance by the user of the terms and conditions set forth in the notice and warning which accompanied this drawing is incorporated herein and made part hereof and is found on Cardinal Systems, Inc's website at [www.CardinalSystemsInc.com](http://www.CardinalSystemsInc.com)

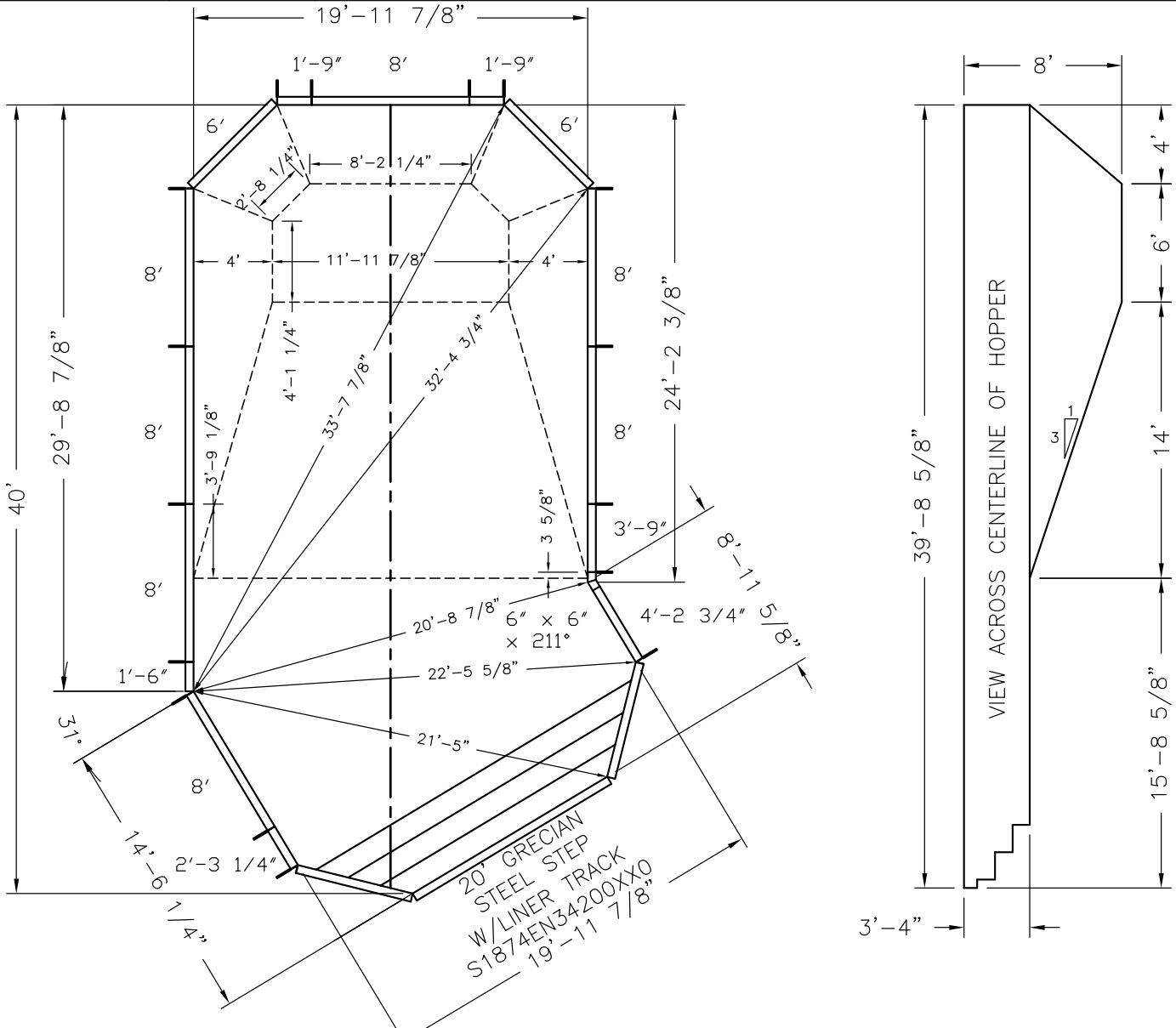



**Pool Size:** 20' X 40' **Approx Gal:** 26,838  
**Pool Shape:** LAZY ELL  
**Pool Number:** 2040LLGR – (STEEL)

250 Route 61 South, Schuylkill Haven, PA 17972 • 570-385-4733 • fax: 570-385-1318 • CustomerService@CardinalSystemsinc.com

### Bill of Materials

PART NO.	QUANTITY	DESCRIPTION
"A" FRAME	16	"A" FRAME ASSEMBLY
CS901GC	6	GRECIAN CORNER ANGLE
CS930Ww-31	1	31° CORNER ANGLE
S1874EN34200XX0	1	20' GRECIAN STEEL STEP W/LINER TRACK
5S42160XXX0	1	1'-6" Straight PANEL W/0 Z
5S42190XXX0	2	1'-9" Straight PANEL W/0 Z
5S42232XXX0	1	2'-3 1/4" Straight PANEL W/0 Z
5S42390XXX0	1	3'-9" Straight PANEL W/0 Z
5S42426XXX0	1	4'-2 3/4" Straight PANEL W/0 Z
5S42600XXX1	2	6" Straight PANEL W/1 Z
5S42800XXX2	7	8" Straight PANEL W/2 Z
5T42060211060	1	6" x 6" x 211° ELL



<b>Date:</b> 5/10/2022	<b>Perimeter:</b> 107'-5 1/2"	 <small>cardinalpools.com</small>
<b>Drawn By:</b> JESSE H	<b>Area:</b> 737.8 SQ. FT.	
<b>Scale:</b> 1/8" = 1'-0"	<b>Notes:</b> -----	

This information is the confidential property of Cardinal Systems, Inc. Disclosure or duplication without proper written approval is strictly prohibited. Acceptance and use of this drawing constitutes knowledge and acceptance by the user of the terms and conditions set forth in the notice and warning which accompanied this drawing is incorporated herein and made part hereof and is found on Cardinal Systems, Inc's website at [www.CardinalSystemsInc.com](http://www.CardinalSystemsInc.com)



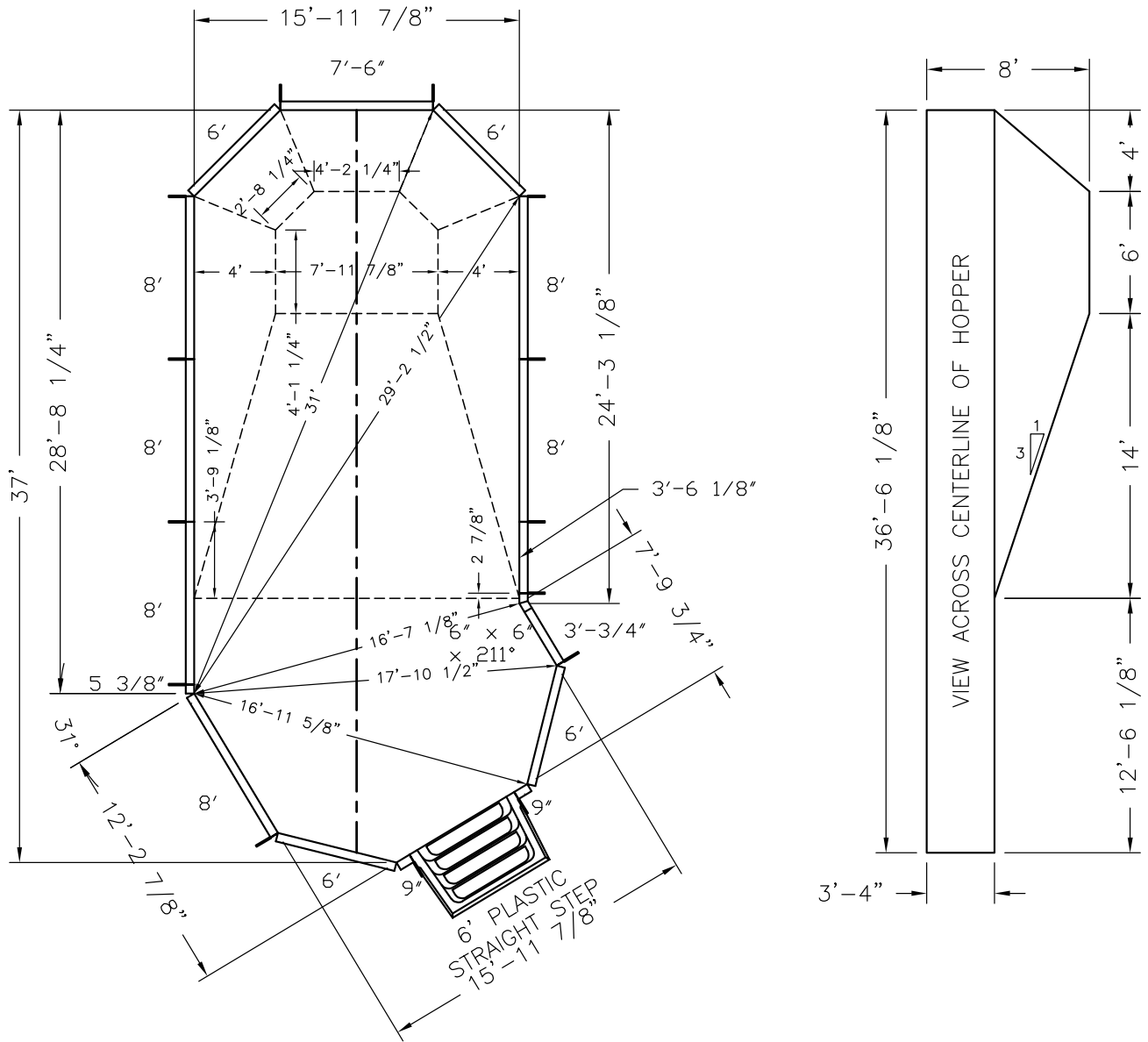



**Pool Size:** 16' X 37' **Approx Gal:** 19,916  
**Pool Shape:** LAZY ELL GRECIAN  
**Pool Number:** 1637LLGR – (PLASTIC)

250 Route 61 South, Schuylkill Haven, PA 17972 • 570-385-4733 • fax: 570-385-1318 • CustomerService@CardinalSystemsinc.com

### Bill of Materials

PART NO.	QUANTITY	DESCRIPTION
"A" FRAME	14	"A" FRAME ASSEMBLY
CS901GC	8	GRECIAN CORNER ANGLE
CS930WW-31	1	31° CORNER ANGLE
5S42053XXX0	1	5 3/8" Straight PANEL w/0 Z
5S42090XXX0	2	9" Straight PANEL w/0 Z
5S42306XXX0	1	3'-3/4" Straight PANEL w/0 Z
5S42361XXX0	1	3'-6 1/8" Straight PANEL w/0 Z
5S42600XXX1	4	6" Straight PANEL w/1 Z
5S42760XXX2	1	7'-6" Straight PANEL w/2 Z
5S42800XXX2	6	8" Straight PANEL w/2 Z
5T42060211060	1	6" x 6" x 211° ELL



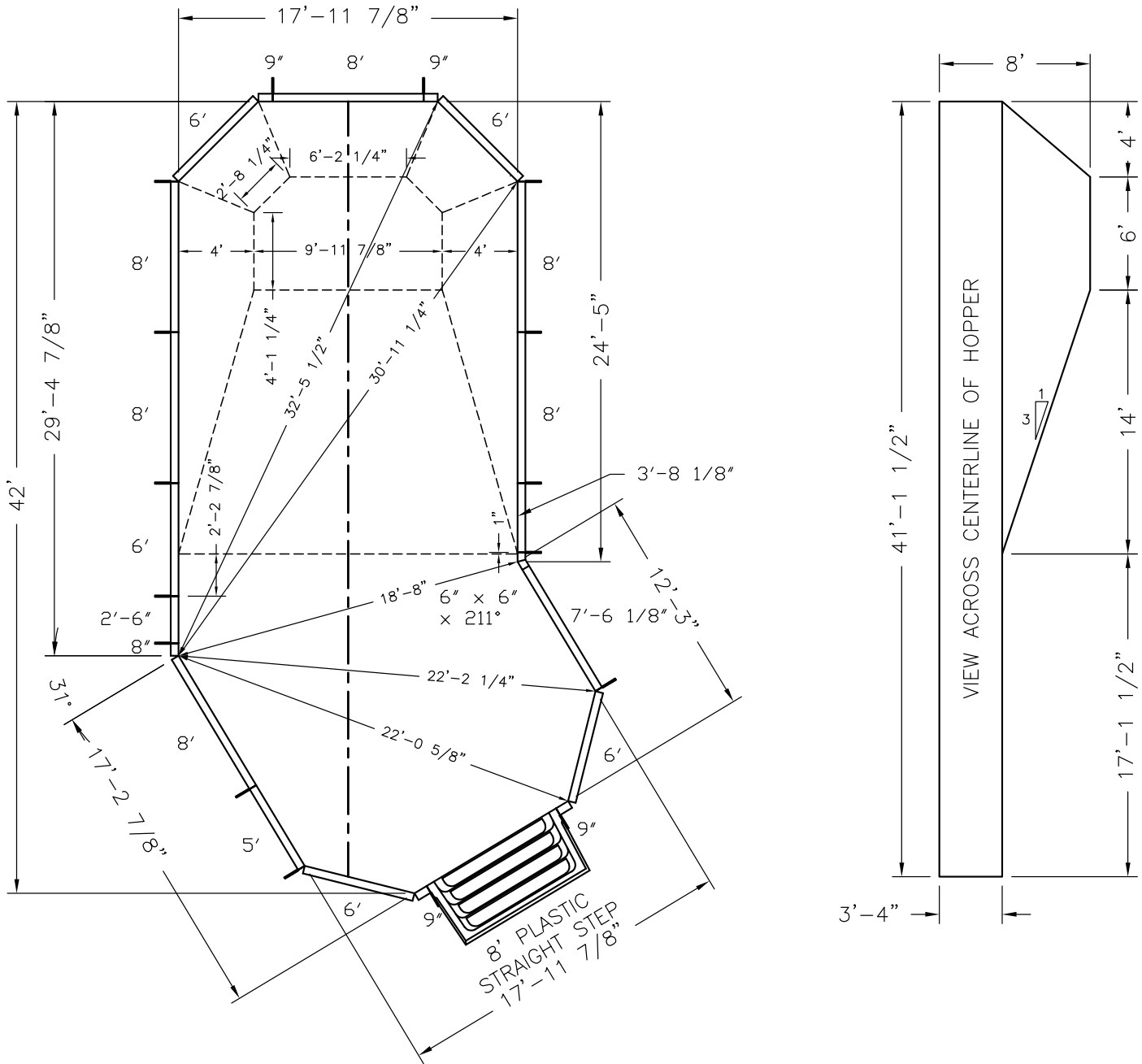
<b>Date:</b> 5/10/2022	<b>Perimeter:</b> 95'-0 3/8"	 cardinalpools.com
<b>Drawn By:</b> JESSE H	<b>Area:</b> 547.5 SQ. FT.	
<b>Scale:</b> 1/8" = 1'-0"	<b>Notes:</b> -----	

This information is the confidential property of Cardinal Systems, Inc. Disclosure or duplication without proper written approval is strictly prohibited. Acceptance and use of this drawing constitutes knowledge and acceptance by the user of the terms and conditions set forth in the notice and warning which accompanied this drawing is incorporated herein and made part hereof and is found on Cardinal Systems, Inc's website at www.CardinalSystemsInc.com



**Pool Size:** 18' X 42'      **Approx Gal:** 25,947  
**Pool Shape:** LAZY ELL GRECIAN  
**Pool Number:** 1842LLGR – (PLASTIC)

250 Route 61 South, Schuylkill Haven, PA 17972 • 570-385-4733 • fax: 570-385-1318 • CustomerService@CardinalSystemsinc.com



<b>Date:</b> 5/10/2022	<b>Perimeter:</b> 109'-4 1/4"
<b>Drawn By:</b> JESSE H	<b>Area:</b> 713.3 SQ. FT.
<b>Scale:</b> 1/8" = 1'-0"	<b>Notes:</b> -----



This information is the confidential property of Cardinal Systems, Inc. Disclosure or duplication without proper written approval is strictly prohibited. Acceptance and use of this drawing constitutes knowledge and acceptance by the user of the terms and conditions set forth in the notice and warning which accompanied this drawing is incorporated herein and made part hereof and is found on Cardinal Systems, Inc's website at www.CardinalSystemsInc.com




**Pool Size:** 18' X 42'      **Approx Gal:** 25,947  
**Pool Shape:** LAZY ELL GRECIAN  
**Pool Number:** 1842LLGR – (PLASTIC)

250 Route 61 South, Schuylkill Haven, PA 17972 • 570-385-4733 • fax: 570-385-1318 • CustomerService@CardinalSystemsinc.com

Bill of Materials

PART NO.	QUANTITY	DESCRIPTION
"A" FRAME	16	"A" FRAME ASSEMBLY
CS901GC	8	GRECIAN CORNER ANGLE
CS930WW-31	1	31° CORNER ANGLE
5S42080XXX0	1	8" Straight PANEL W/0 Z
5S42090XXX0	4	9" Straight PANEL W/0 Z
5S42260XXX0	1	2'-6" Straight PANEL W/0 Z
5S42381XXX0	1	3'-8 1/8" Straight PANEL W/0 Z
5S42500XXX0	1	5' Straight PANEL W/0 Z
5S42600XXX1	5	6' Straight PANEL W/1 Z
5S42761XXX2	1	7'-6 1/8" Straight PANEL W/2 Z
5S42800XXX2	6	8' Straight PANEL W/2 Z
5T42060211060	1	6" x 6" x 211° ELL

<b>Date:</b> 5/10/2022	<b>Perimeter:</b> 109'-4 1/4"	 <small>cardinalpools.com</small>
<b>Drawn By:</b> JESSE H	<b>Area:</b> 713.3 SQ. FT.	
<b>Scale:</b> 1/8" = 1'-0"	<b>Notes:</b> - - - -	

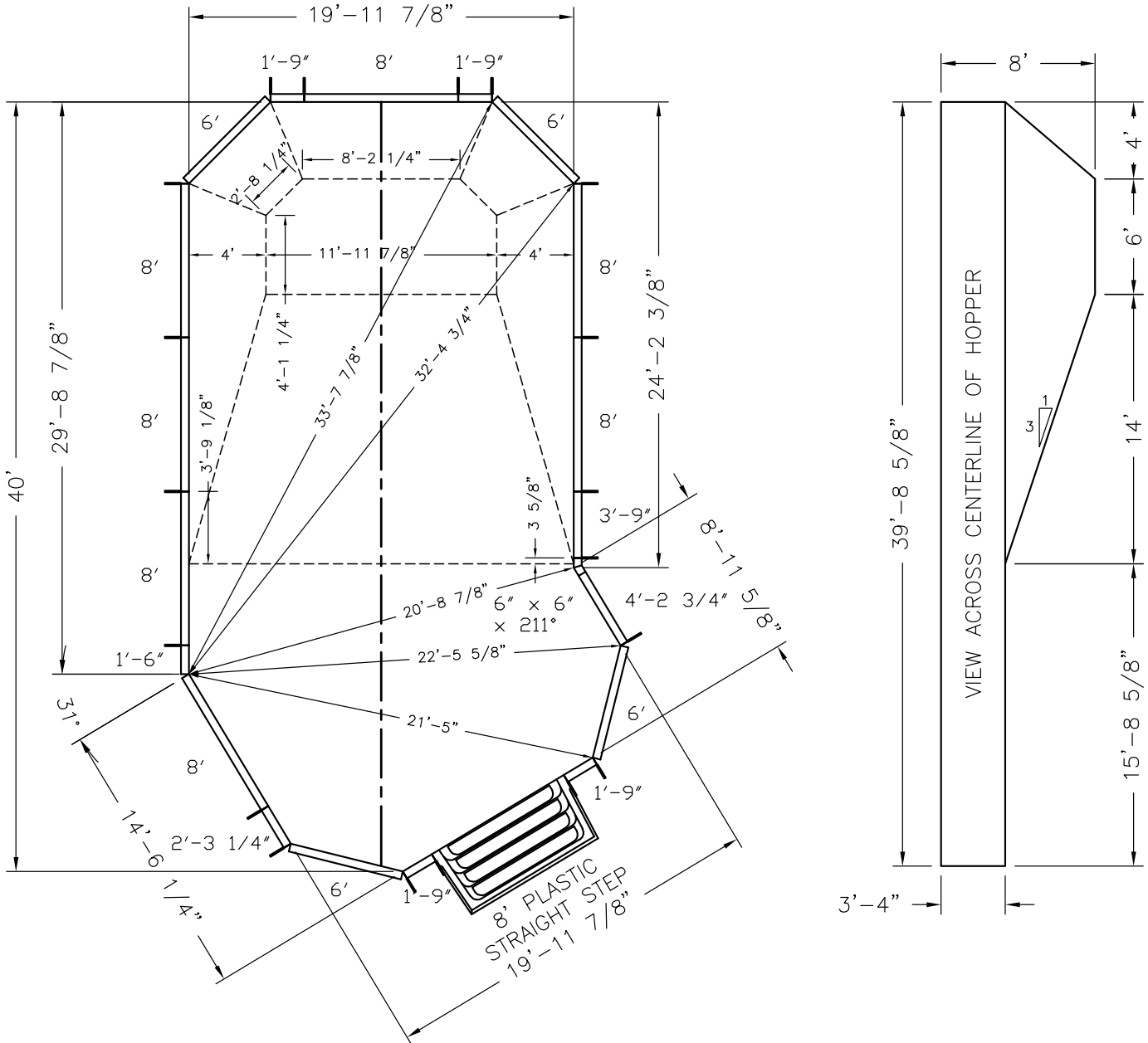
This information is the confidential property of Cardinal Systems, Inc. Disclosure or duplication without proper written approval is strictly prohibited. Acceptance and use of this drawing constitutes knowledge and acceptance by the user of the terms and conditions set forth in the notice and warning which accompanied this drawing is incorporated herein and made part hereof and is found on Cardinal Systems, Inc's website at [www.CardinalSystemsInc.com](http://www.CardinalSystemsInc.com)



**Pool Size:** 20' X 40'  
**Pool Shape:** LAZY ELL  
**Pool Number:** 2040LLGR – (PLASTIC)

**Approx Gal:** 26,838

250 Route 61 South, Schuylkill Haven, PA 17972 • 570-385-4733 • fax: 570-385-1318 • CustomerService@CardinalSystemsinc.com



Date: 5/10/2022

Drawn By: JESSE H

Scale: 1/8" = 1'-0"

Perimeter: 107'-5 1/2"

Area: 737.8 SQ. FT.

Notes: -----



cardinalpools.com

This information is the confidential property of Cardinal Systems, Inc. Disclosure or duplication without proper written approval is strictly prohibited. Acceptance and use of this drawing constitutes knowledge and acceptance by the user of the terms and conditions set forth in the notice and warning which accompanied this drawing is incorporated herein and made part hereof and is found on Cardinal Systems, Inc's website at www.CardinalSystemsInc.com



**Pool Size:** 20' X 40'

**Approx Gal:** 26,838


**Pool Shape:** LAZY ELL

**Pool Number:** 2040LLGR – (PLASTIC)

250 Route 61 South, Schuylkill Haven, PA 17972 • 570-385-4733 • fax: 570-385-1318 • CustomerService@CardinalSystemsinc.com

Bill of Materials

PART NO.	QUANTITY	DESCRIPTION
"A" FRAME	19	"A" FRAME ASSEMBLY
CS901GC	8	GRECIAN CORNER ANGLE
CS930WW-31	1	31° CORNER ANGLE
5S42160XXX0	1	1'-6" Straight PANEL W/0 Z
5S42190XXX0	4	1'-9" Straight PANEL W/0 Z
5S42232XXX0	1	2'-3 1/4" Straight PANEL W/0 Z
5S42390XXX0	1	3'-9" Straight PANEL W/0 Z
5S42426XXX0	1	4'-2 3/4" Straight PANEL W/0 Z
5S42600XXX1	4	6' Straight PANEL W/1 Z
5S42800XXX2	7	8' Straight PANEL W/2 Z
5T42060211060	1	6" x 6" x 211° ELL

<b>Date:</b> 5/10/2022	<b>Perimeter:</b> 107'-5 1/2"	 <small>cardinalpools.com</small>
<b>Drawn By:</b> JESSE H	<b>Area:</b> 737.8 SQ. FT.	
<b>Scale:</b> 1/8" = 1'-0"	<b>Notes:</b> -----	

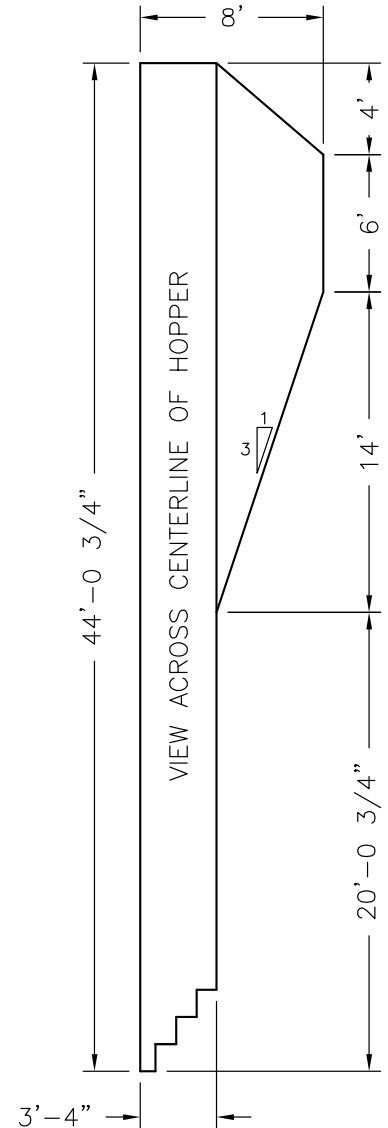
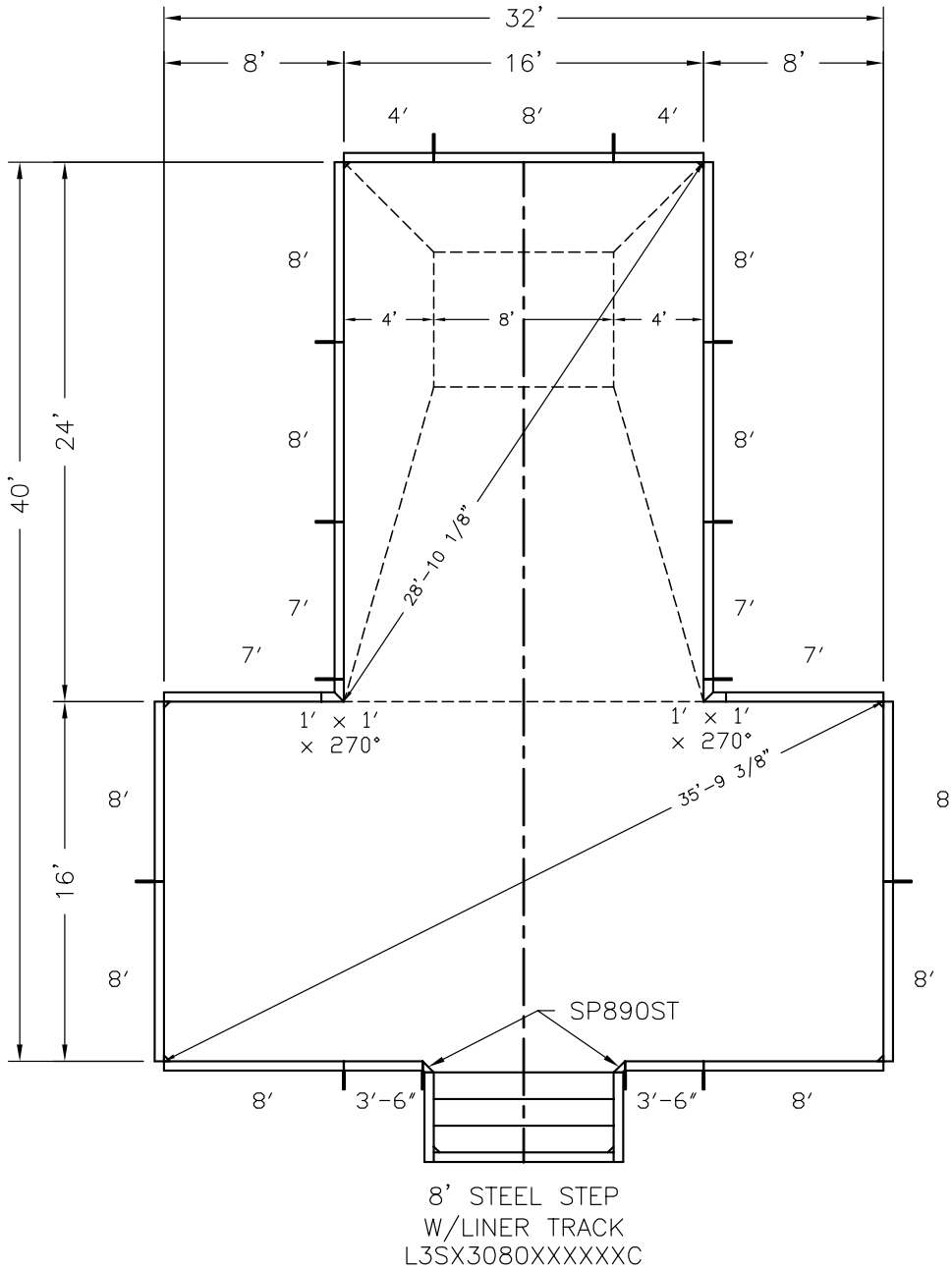
This information is the confidential property of Cardinal Systems, Inc. Disclosure or duplication without proper written approval is strictly prohibited. Acceptance and use of this drawing constitutes knowledge and acceptance by the user of the terms and conditions set forth in the notice and warning which accompanied this drawing is incorporated herein and made part hereof and is found on Cardinal Systems, Inc's website at [www.CardinalSystemsInc.com](http://www.CardinalSystemsInc.com)

# TEE



**Pool Size:** 16' X 32' X 40'  
**Pool Shape:** TEE **Approx Gal:** 33,913  
**Pool Number:** 163240TEE - 6 (STEEL)

250 Route 61 South, Schuylkill Haven, PA 17972 • 570-385-4733 • fax: 570-385-1318 • CustomerService@CardinalSystemsinc.com



**Date:** 5/10/2022

**Perimeter:** 151'-6 1/2"

**Drawn By:** JESSE H

**Area:** 928.8 SQ. FT.

**Scale:** 1/8" = 1'-0"

**Notes:** - - - -



cardinalpools.com

This Information Is the confidential property of Cardinal Systems, Inc. Disclosure or duplication without proper written approval Is strictly prohibited. Acceptance and use of this drawing constitutes knowledge and acceptance by the user of the terms and conditions set forth in the notice and warning which accompanied this drawing is incorporated herein and made part hereof and Is found on Cardinal Systems, Inc's website at www.CardinalSystemsInc.com




**Pool Size:** 16' X 32' X 40'  
**Pool Shape:** TEE **Approx Gal:** 33,913  
**Pool Number:** 163240TEE – 6 (STEEL)

250 Route 61 South, Schuylkill Haven, PA 17972 • 570-385-4733 • fax: 570-385-1318 • CustomerService@CardinalSystemsinc.com

Bill of Materials

PART NO.	QUANTITY	DESCRIPTION
"A" FRAME	14	"A" FRAME ASSEMBLY
CS902SA	6	90 DEG CORNER ANGLE
CS902SB	6	6" RAD CORNER FILLER "BIG VEE"
L3SX3080XXXXXXC	1	8' STEEL STEP W/LINER TRACK
SP890ST	2	STRAIGHT WALL STEP TRANSITION
5S42360XXX0	2	3'-6" Straight PANEL w/0 Z
5S42400XXX0	2	4' Straight PANEL w/0 Z
5S42700XXX2	4	7' Straight PANEL w/2 Z
5S42800XXX2	11	8' Straight PANEL w/2 Z
5T42100270100	2	1' x 1' x 270° ELL

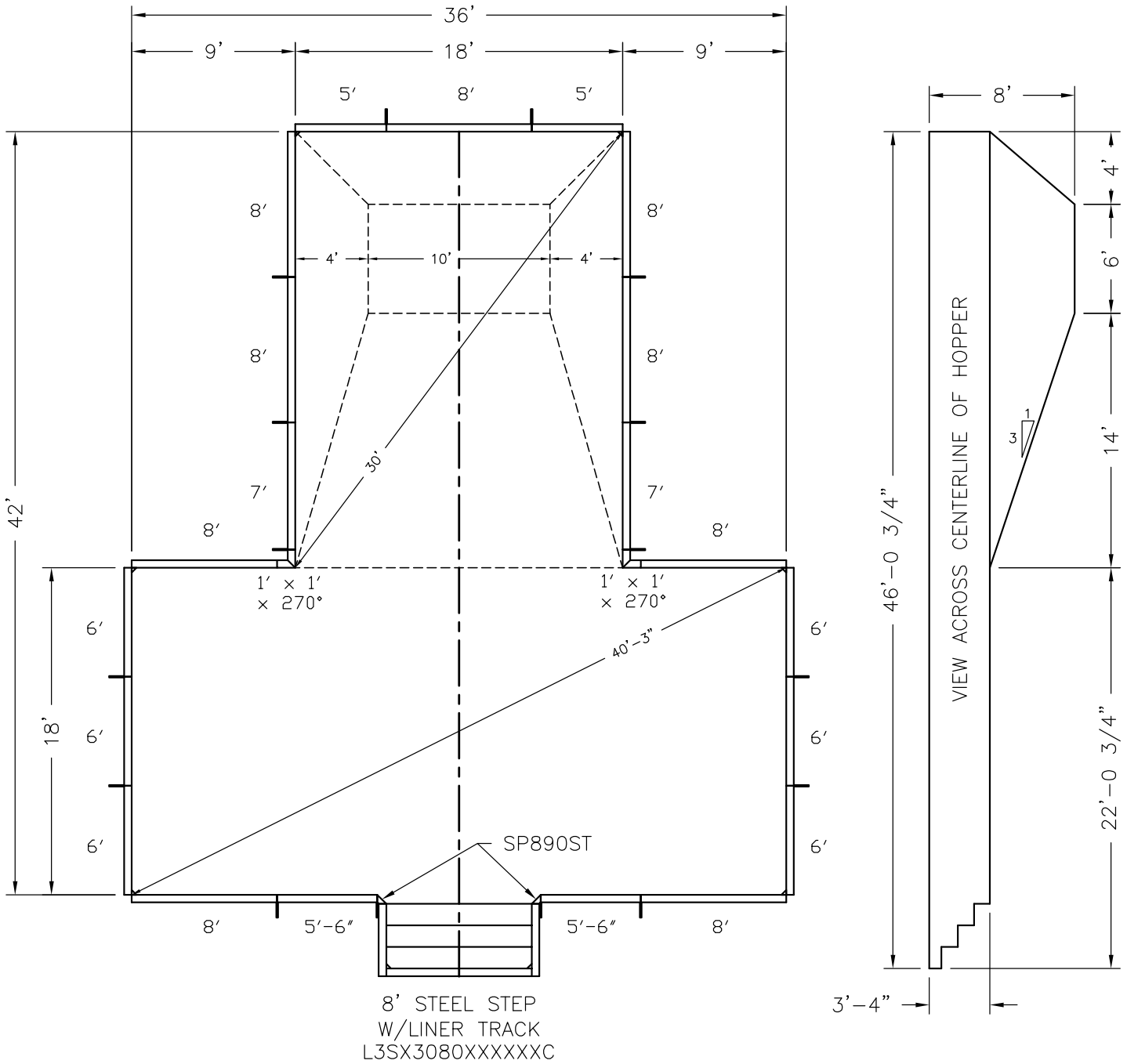
<b>Date:</b> 5/10/2022	<b>Perimeter:</b> 151'-6 1/2"	 cardinalpools.com
<b>Drawn By:</b> JESSE H	<b>Area:</b> 928.8 SQ. FT.	
<b>Scale:</b> 1/8" = 1'-0"	<b>Notes:</b> - - - -	


This information is the confidential property of Cardinal Systems, Inc. Disclosure or duplication without proper written approval is strictly prohibited. Acceptance and use of this drawing constitutes knowledge and acceptance by the user of the terms and conditions set forth in the notice and warning which accompanied this drawing is incorporated herein and made part hereof and is found on Cardinal Systems, Inc's website at www.CardinalSystemsInc.com



**Pool Size:** 18' X 36' X 42'  
**Pool Shape:** TEE  
**Approx Gal:** 40,606  
**Pool Number:** 183642TEE - 6 (STEEL)

250 Route 61 South, Schuylkill Haven, PA 17972 • 570-385-4733 • fax: 570-385-1318 • CustomerService@CardinalSystemsinc.com



<b>Date:</b> 5/10/2022	<b>Perimeter:</b> 163'-6 1/2"	 cardinalpools.com
<b>Drawn By:</b> JESSE H	<b>Area:</b> 1112.8 SQ. FT.	
<b>Scale:</b> 1/8" = 1'-0"	<b>Notes:</b> -----	

This information is the confidential property of Cardinal Systems, Inc. Disclosure or duplication without proper written approval is strictly prohibited. Acceptance and use of this drawing constitutes knowledge and acceptance by the user of the terms and conditions set forth in the notice and warning which accompanied this drawing is incorporated herein and made part hereof and is found on Cardinal Systems, Inc's website at www.CardinalSystemsInc.com






**Pool Size:** 18' X 36' X 42'  
**Pool Shape:** TEE **Approx Gal:** 40,606  
**Pool Number:** 183642TEE – 6 (STEEL)

250 Route 61 South, Schuylkill Haven, PA 17972 • 570-385-4733 • fax: 570-385-1318 • CustomerService@CardinalSystemsinc.com

Bill of Materials

PART NO.	QUANTITY	DESCRIPTION
"A" FRAME	16	"A" FRAME ASSEMBLY
CS902SA	6	90 DEG CORNER ANGLE
CS902SB	6	6" RAD CORNER FILLER "BIG VEE"
L3SX3080XXXXXC	1	8' STEEL STEP W/LINER TRACK
SP890ST	2	STRAIGHT WALL STEP TRANSITION
5S42500XXX0	2	5' Straight PANEL W/0 Z
5S42560XXX1	2	5'-6" Straight PANEL W/1 Z
5S42600XXX1	6	6' Straight PANEL W/1 Z
5S42700XXX2	2	7' Straight PANEL W/2 Z
5S42800XXX2	9	8' Straight PANEL W/2 Z
5T42100270100	2	1' x 1' x 270° ELL

<b>Date:</b> 5/10/2022	<b>Perimeter:</b> 163'-6 1/2"	 <small>cardinalpools.com</small>
<b>Drawn By:</b> JESSE H	<b>Area:</b> 1112.8 SQ. FT.	
<b>Scale:</b> 1/8" = 1'-0"	<b>Notes:</b> - - - -	

This information is the confidential property of Cardinal Systems, Inc. Disclosure or duplication without proper written approval is strictly prohibited. Acceptance and use of this drawing constitutes knowledge and acceptance by the user of the terms and conditions set forth in the notice and warning which accompanied this drawing is incorporated herein and made part hereof and is found on Cardinal Systems, Inc's website at [www.CardinalSystemsInc.com](http://www.CardinalSystemsInc.com)



**Pool Size:** 16' X 32' X 40'

**Pool Shape:** TEE

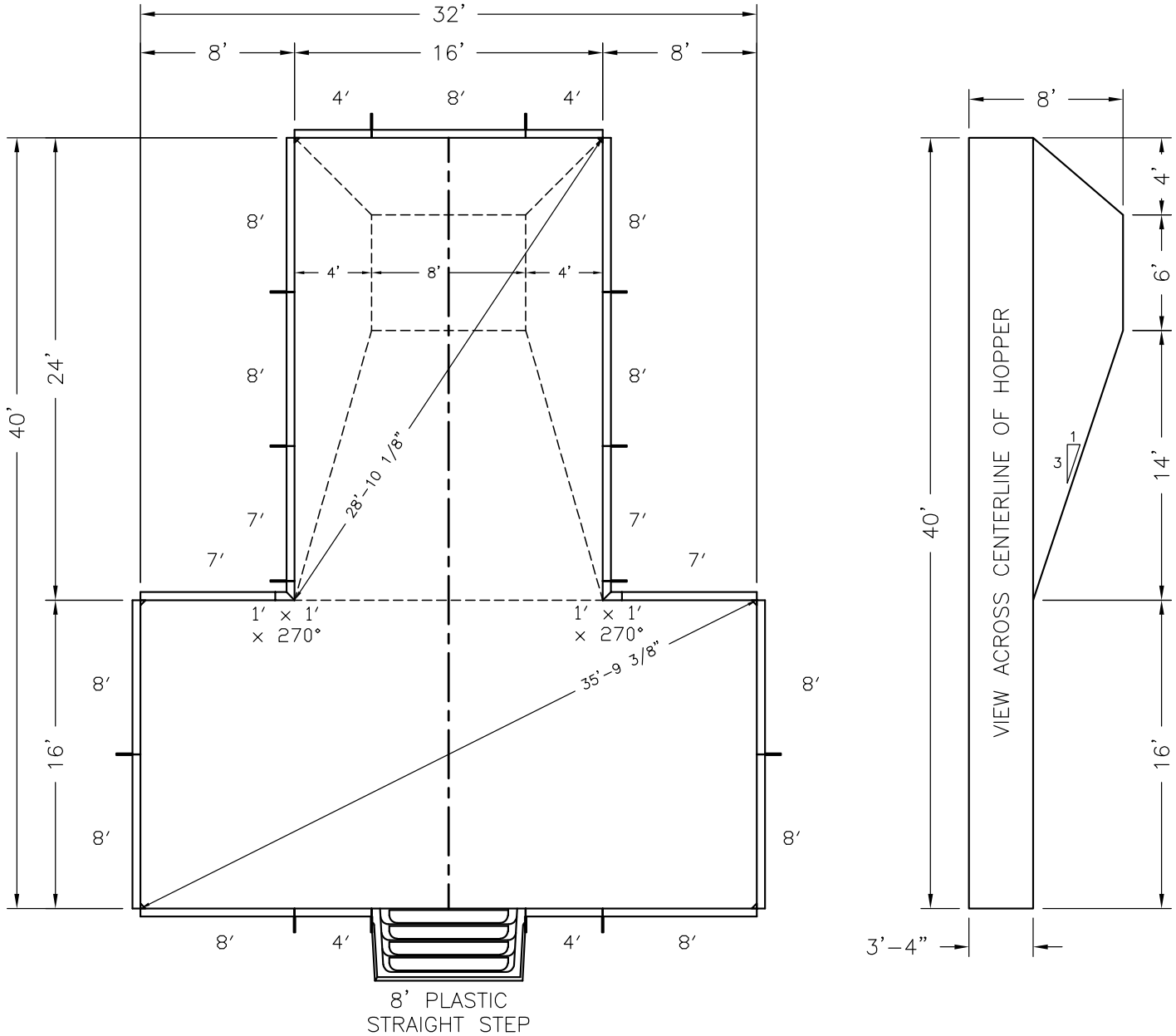
**Approx Gal:** 32,592

**Pool Number:** 163240TEE – 6 (PLASTIC)

250 Route 61 South, Schuylkill Haven, PA 17972 • 570-385-4733 • fax: 570-385-1318 • CustomerService@CardinalSystemsinc.com

Bill of Materials

PART NO.	QUANTITY	DESCRIPTION
"A" FRAME	14	"A" FRAME ASSEMBLY
CS902SA	6	90 DEG CORNER ANGLE
CS902SB	6	6" RAD CORNER FILLER "BIG VEE"
5S42400XXX0	4	4' Straight PANEL W/0 Z
5S42700XXX2	4	7' Straight PANEL W/2 Z
5S42800XXX2	11	8' Straight PANEL W/2 Z
5T42100270100	2	1' x 1' x 270° ELL



**Date:** 5/10/2022

**Perimeter:** 144'-0"

**Drawn By:** JESSE H

**Area:** 896.0 SQ. FT.

**Scale:** 1/8" = 1'-0"

**Notes:** -----



cardinalpools.com

This information is the confidential property of Cardinal Systems, Inc. Disclosure or duplication without proper written approval is strictly prohibited. Acceptance and use of this drawing constitutes knowledge and acceptance by the user of the terms and conditions set forth in the notice and warning which accompanied this drawing is incorporated herein and made part hereof and is found on Cardinal Systems, Inc's website at www.CardinalSystemsInc.com

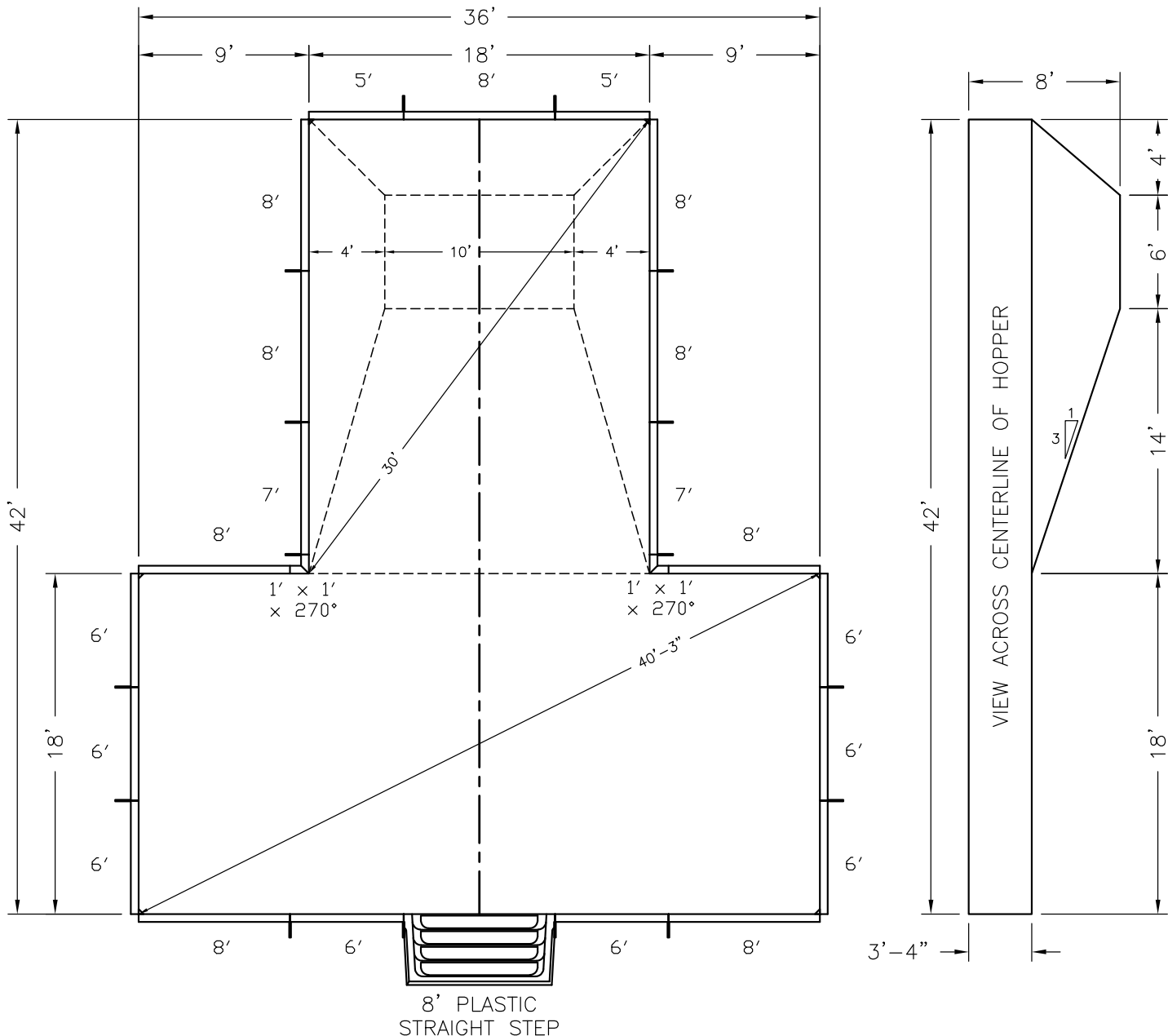


**Pool Size:** 18' X 36' X 42'  
**Pool Shape:** TEE  
**Approx Gal:** 39,285  
**Pool Number:** 183642TEE – 6 (PLASTIC)

250 Route 61 South, Schuylkill Haven, PA 17972 • 570-385-4733 • fax: 570-385-1318 • CustomerService@CardinalSystemsinc.com

### Bill of Materials

PART NO.	QUANTITY	DESCRIPTION
"A" FRAME	16	"A" FRAME ASSEMBLY
CS902SA	6	90 DEG CORNER ANGLE
CS902SB	6	6" RAD CORNER FILLER "BIG VEE"
5S42500XXX0	2	5' Straight PANEL W/0 Z
5S42600XXX1	8	6' Straight PANEL W/1 Z
5S42700XXX2	2	7' Straight PANEL W/2 Z
5S42800XXX2	9	8' Straight PANEL W/2 Z
5T42100270100	2	1' x 1' x 270° ELL



**Date:** 5/10/2022

**Perimeter:** 156'-0"

**Drawn By:** JESSE H

**Area:** 1080.0 SQ. FT.

**Scale:** 1/8" = 1'-0"

**Notes:** - - - -



cardinalpools.com

This information is the confidential property of Cardinal Systems, Inc. Disclosure or duplication without proper written approval is strictly prohibited. Acceptance and use of this drawing constitutes knowledge and acceptance by the user of the terms and conditions set forth in the notice and warning which accompanied this drawing is incorporated herein and made part hereof and is found on Cardinal Systems, Inc's website at www.CardinalSystemsInc.com



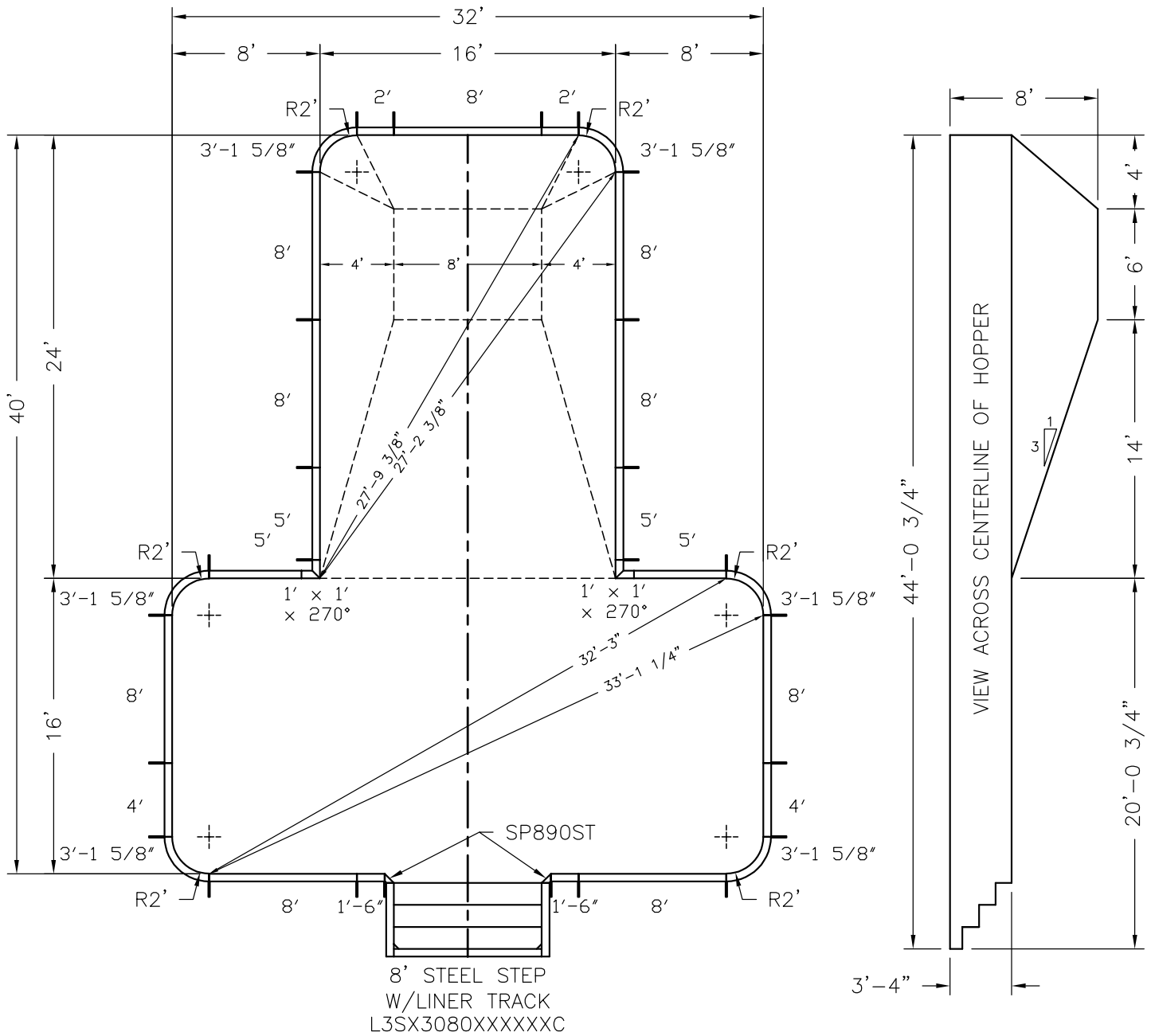
**Pool Size:** 16' X 32' X 40'

**Pool Shape:** TEE

**Approx Gal:** 33,724

**Pool Number:** 163240TEE – 2R (STEEL)

250 Route 61 South, Schuylkill Haven, PA 17972 • 570-385-4733 • fax: 570-385-1318 • CustomerService@CardinalSystemsinc.com



**Date:** 5/9/2022

**Perimeter:** 146'-4 5/8"

**Drawn By:** JESSE H

**Area:** 923.6 SQ. FT.

**Scale:** 1/8" = 1'-0"

**Notes:** -----



cardinalpools.com



**Pool Size:** 16' X 32' X 40'

**Pool Shape:** TEE


**Approx Gal:** 33,724

**Pool Number:** 163240TEE – 2R (STEEL)

250 Route 61 South, Schuylkill Haven, PA 17972 • 570-385-4733 • fax: 570-385-1318 • CustomerService@CardinalSystemsinc.com

Bill of Materials

PART NO.	QUANTITY	DESCRIPTION
"A" FRAME	26	"A" FRAME ASSEMBLY
5C42315XX02000	6	2' RADIUS CORNER
L3SX3080XXXXXXC	1	8' STEEL STEP W/LINER TRACK
SP890ST	2	STRAIGHT WALL STEP TRANSITION
5S42160XXX0	2	1'-6" Straight PANEL w/0 Z
5S42200XXX0	2	2' Straight PANEL w/0 Z
5S42400XXX0	2	4' Straight PANEL w/0 Z
5S42500XXX0	4	5' Straight PANEL w/0 Z
5S42800XXX2	9	8' Straight PANEL w/2 Z
5T42100270100	2	1' x 1' x 270° ELL

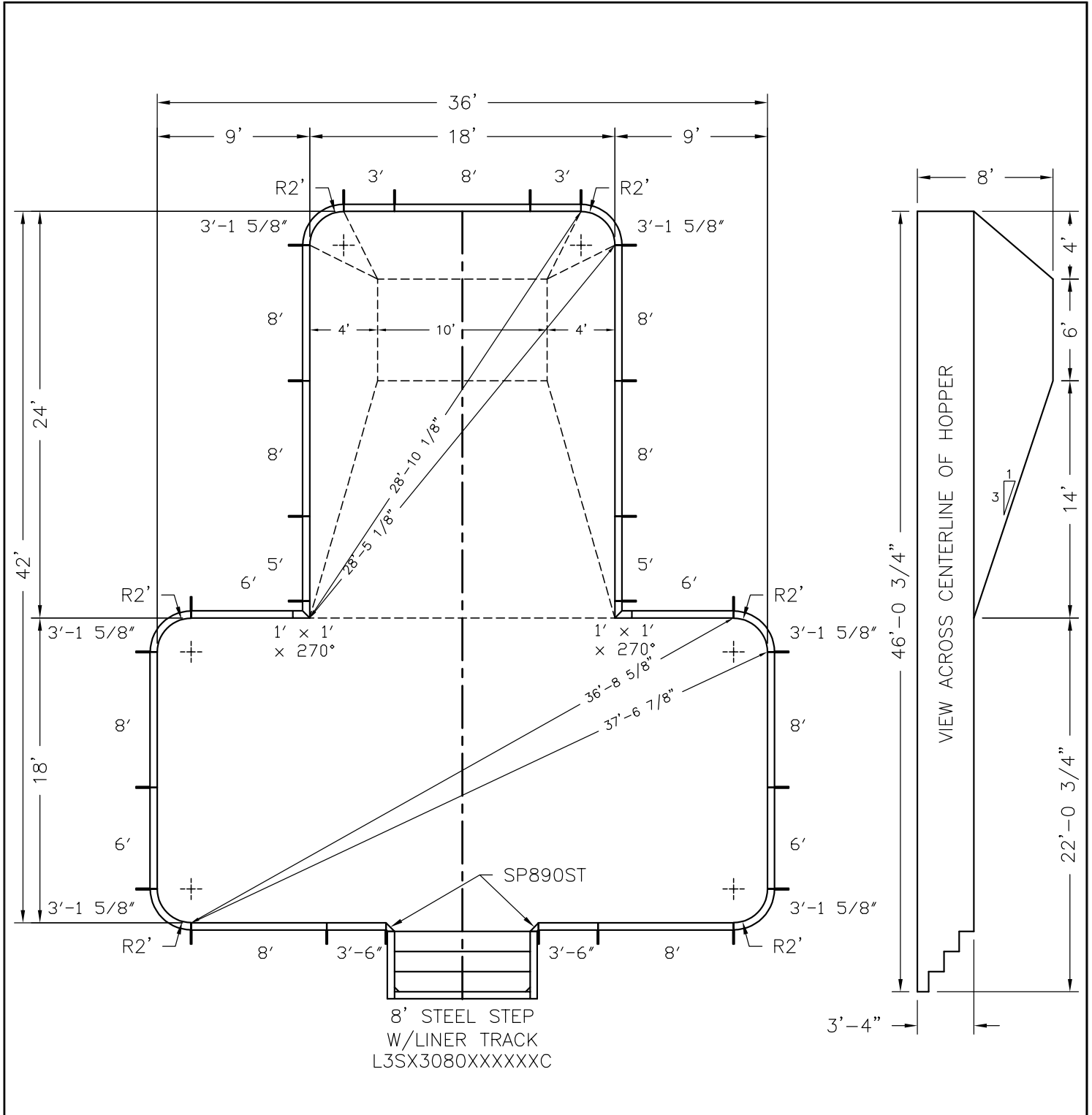
<b>Date:</b> 5/9/2022	<b>Perimeter:</b> 146'-4 5/8"	 <small>cardinalpools.com</small>
<b>Drawn By:</b> JESSE H	<b>Area:</b> 923.6 SQ. FT.	
<b>Scale:</b> 1/8" = 1'-0"	<b>Notes:</b> - - - -	

This information is the confidential property of Cardinal Systems, Inc. Disclosure or duplication without proper written approval is strictly prohibited. Acceptance and use of this drawing constitutes knowledge and acceptance by the user of the terms and conditions set forth in the notice and warning which accompanied this drawing is incorporated herein and made part hereof and is found on Cardinal Systems, Inc's website at [www.CardinalSystemsInc.com](http://www.CardinalSystemsInc.com)



**Pool Size:** 18' X 36' X 42'  
**Pool Shape:** TEE  
**Approx Gal:** 40,417  
**Pool Number:** 183642TEE - 2R (STEEL)

250 Route 61 South, Schuylkill Haven, PA 17972 • 570-385-4733 • fax: 570-385-1318 • CustomerService@CardinalSystemsinc.com



<b>Date:</b> 5/10/2022	<b>Perimeter:</b> 158'-4 5/8"	
<b>Drawn By:</b> JESSE H	<b>Area:</b> 1107.6 SQ. FT.	
<b>Scale:</b> 1/8" = 1'-0"	<b>Notes:</b> -----	

This information is the confidential property of Cardinal Systems, Inc. Disclosure or duplication without proper written approval is strictly prohibited. Acceptance and use of this drawing constitutes knowledge and acceptance by the user of the terms and conditions set forth in the notice and warning which accompanied this drawing is incorporated herein and made part hereof and is found on Cardinal Systems, Inc's website at www.CardinalSystemsInc.com




**Pool Size:** 18' X 36' X 42'  
**Pool Shape:** TEE **Approx Gal:** 40,417  
**Pool Number:** 183642TEE – 2R (STEEL)

250 Route 61 South, Schuylkill Haven, PA 17972 • 570-385-4733 • fax: 570-385-1318 • CustomerService@CardinalSystemsinc.com

Bill of Materials

PART NO.	QUANTITY	DESCRIPTION
"A" FRAME	26	"A" FRAME ASSEMBLY
5C42315XX02000	6	2' RADIUS CORNER
L3SX3080XXXXXXC	1	8' STEEL STEP W/LINER TRACK
SP890ST	2	STRAIGHT WALL STEP TRANSITION
5S42300XXX0	2	3' Straight PANEL W/0 Z
5S42360XXX0	2	3'-6" Straight PANEL W/0 Z
5S42500XXX0	2	5' Straight PANEL W/0 Z
5S42600XXX1	4	6' Straight PANEL W/1 Z
5S42800XXX2	9	8' Straight PANEL W/2 Z
5T42100270100	2	1' x 1' x 270° ELL

<b>Date:</b> 5/10/2022	<b>Perimeter:</b> 158'-4 5/8"	 <small>cardinalpools.com</small>
<b>Drawn By:</b> JESSE H	<b>Area:</b> 1107.6 SQ. FT.	
<b>Scale:</b> 1/8" = 1'-0"	<b>Notes:</b> - - - -	

This information is the confidential property of Cardinal Systems, Inc. Disclosure or duplication without proper written approval is strictly prohibited. Acceptance and use of this drawing constitutes knowledge and acceptance by the user of the terms and conditions set forth in the notice and warning which accompanied this drawing is incorporated herein and made part hereof and is found on Cardinal Systems, Inc's website at [www.CardinalSystemsInc.com](http://www.CardinalSystemsInc.com)

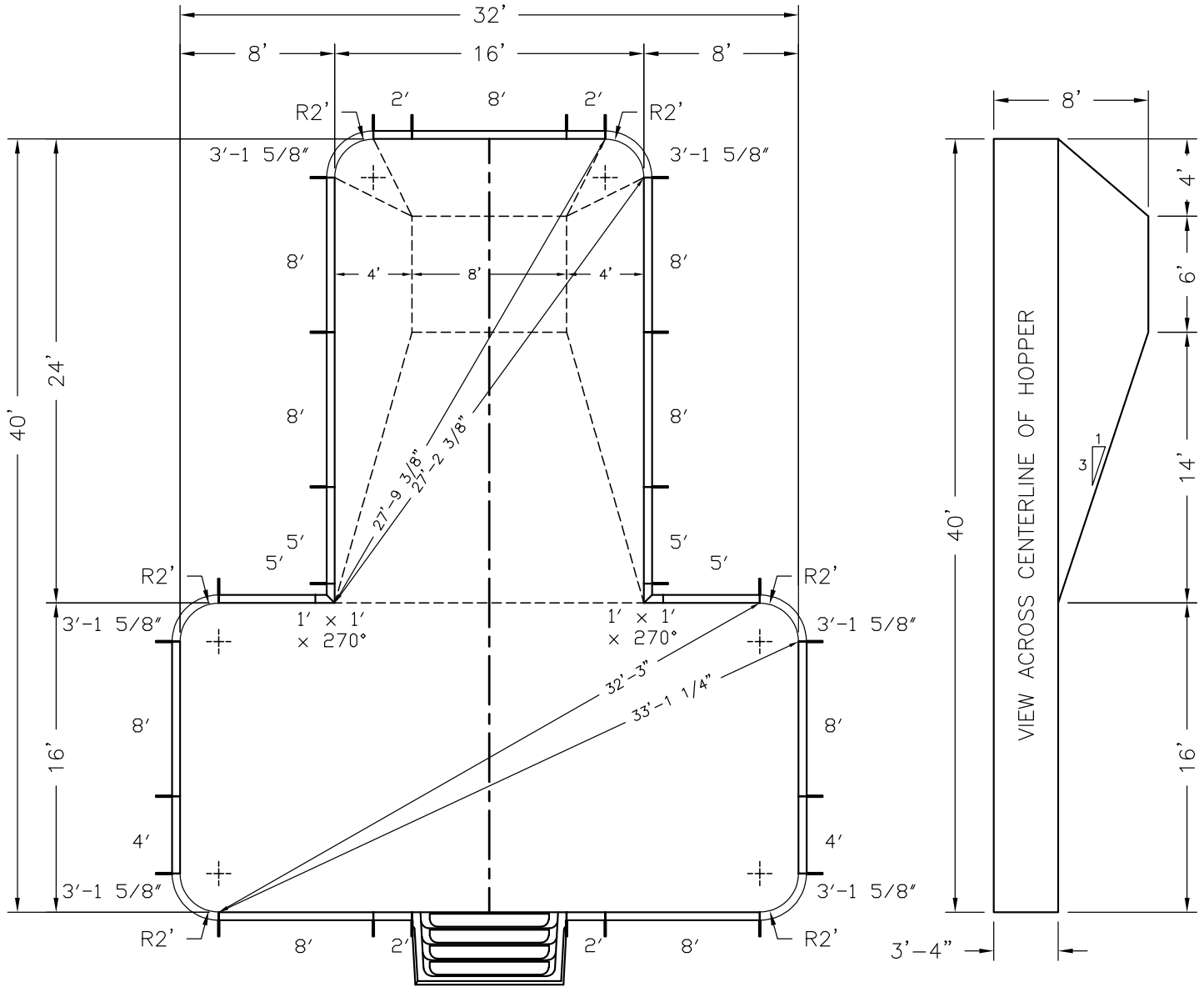


**Pool Size:** 16' X 32' X 40'  
**Pool Shape:** TEE  
**Approx Gal:** 32,403  
**Pool Number:** 163240TEE – 2R (PLASTIC)


250 Route 61 South, Schuylkill Haven, PA 17972 • 570-385-4733 • fax: 570-385-1318 • CustomerService@CardinalSystemsinc.com

### Bill of Materials

PART NO.	QUANTITY	DESCRIPTION
"A" FRAME	26	"A" FRAME ASSEMBLY
5C42315XX02000	6	2' RADIUS CORNER
5S42200XXX0	4	2' Straight PANEL W/0 Z
5S42400XXX0	2	4' Straight PANEL W/0 Z
5S42500XXX0	4	5' Straight PANEL W/0 Z
5S42800XXX2	9	8' Straight PANEL W/2 Z
5T42100270100	2	1' x 1' x 270° ELL



8' PLASTIC STRAIGHT STEP

<b>Date:</b> 5/10/2022	<b>Perimeter:</b> 138'-10 1/4"	 cardinalpools.com
<b>Drawn By:</b> JESSE H	<b>Area:</b> 890.8 SQ. FT.	
<b>Scale:</b> 1/8" = 1'-0"	<b>Notes:</b> -----	

This information is the confidential property of Cardinal Systems, Inc. Disclosure or duplication without proper written approval is strictly prohibited. Acceptance and use of this drawing constitutes knowledge and acceptance by the user of the terms and conditions set forth in the notice and warning which accompanied this drawing is incorporated herein and made part hereof and is found on Cardinal Systems, Inc's website at www.CardinalSystemsInc.com



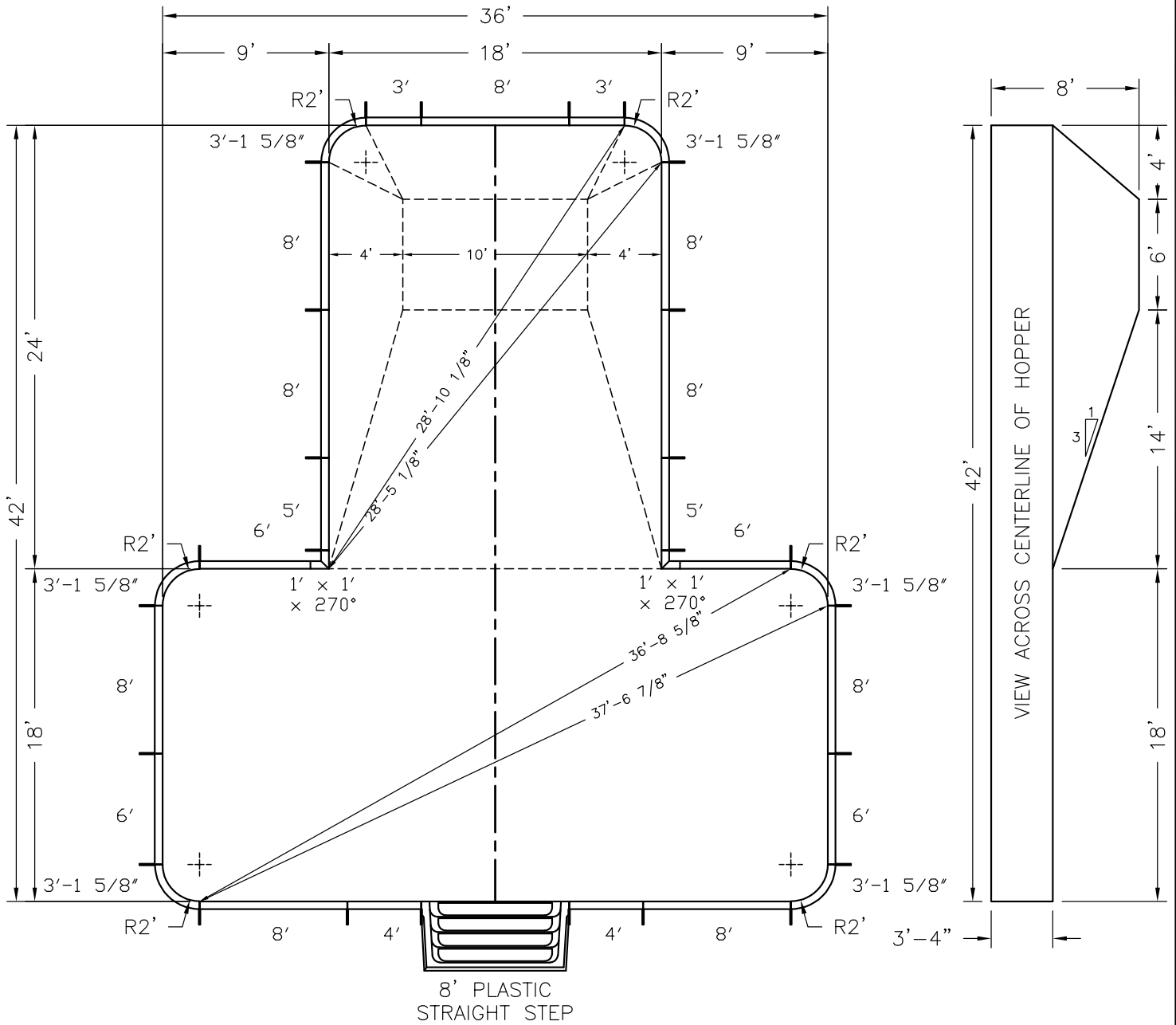


**Pool Size:** 18' X 36' X 42'  
**Pool Shape:** TEE **Approx Gal:** 39,096  
**Pool Number:** 183642TEE – 2R (PLASTIC)

250 Route 61 South, Schuylkill Haven, PA 17972 • 570-385-4733 • fax: 570-385-1318 • CustomerService@CardinalSystemsinc.com

Bill of Materials

PART NO.	QUANTITY	DESCRIPTION
"A" FRAME	26	"A" FRAME ASSEMBLY
5C42315XX02000	6	2' RADIUS CORNER
5S42300XXX0	2	3' Straight PANEL W70 Z
5S42400XXX0	2	4' Straight PANEL W70 Z
5S42500XXX0	2	5' Straight PANEL W70 Z
5S42600XXX1	4	6' Straight PANEL W71 Z
5S42800XXX2	9	8' Straight PANEL W72 Z
5T42100270100	2	1' x 1' x 270° ELL



<b>Date:</b> 5/10/2022	<b>Perimeter:</b> 150'-10 1/4"
<b>Drawn By:</b> JESSE H	<b>Area:</b> 1074.8 SQ. FT.
<b>Scale:</b> 1/8" = 1'-0"	<b>Notes:</b> - - - -



This information is the confidential property of Cardinal Systems, Inc. Disclosure or duplication without proper written approval is strictly prohibited. Acceptance and use of this drawing constitutes knowledge and acceptance by the user of the terms and conditions set forth in the notice and warning which accompanied this drawing is incorporated herein and made part hereof and is found on Cardinal Systems, Inc's website at www.CardinalSystemsInc.com

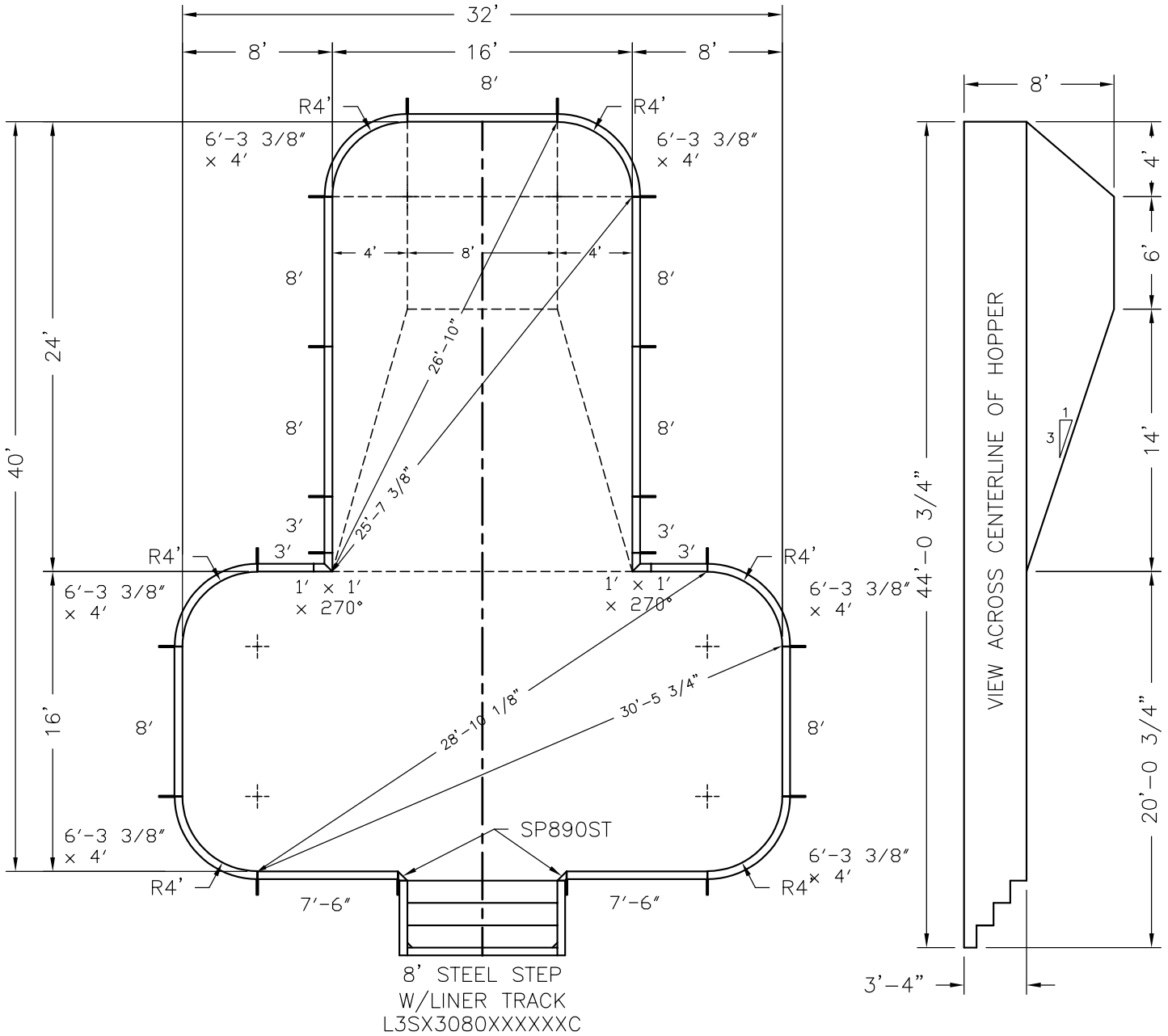


**Pool Size:** 16' X 32' X 40'  
**Pool Shape:** TEE  
**Approx Gal:** 33,160  
**Pool Number:** 163240TEE – 4R (STEEL)

250 Route 61 South, Schuylkill Haven, PA 17972 • 570-385-4733 • fax: 570-385-1318 • CustomerService@CardinalSystemsinc.com

### Bill of Materials

PART NO.	QUANTITY	DESCRIPTION
"A" FRAME	20	"A" FRAME ASSEMBLY
L3SX3080XXXXXC	1	8' STEEL STEP W/LINER TRACK
SP890ST	2	STRAIGHT WALL STEP TRANSITION
5C42633XX04000	6	6'-3 3/8" x 4' Radius C PANEL W/O Z
5S42300XXX0	4	3' Straight PANEL W/O Z
5S42760XXX2	2	7'-6" Straight PANEL W/2 Z
5S42800XXX2	7	8' Straight PANEL W/2 Z
5T42100270100	2	1' x 1' x 270° ELL



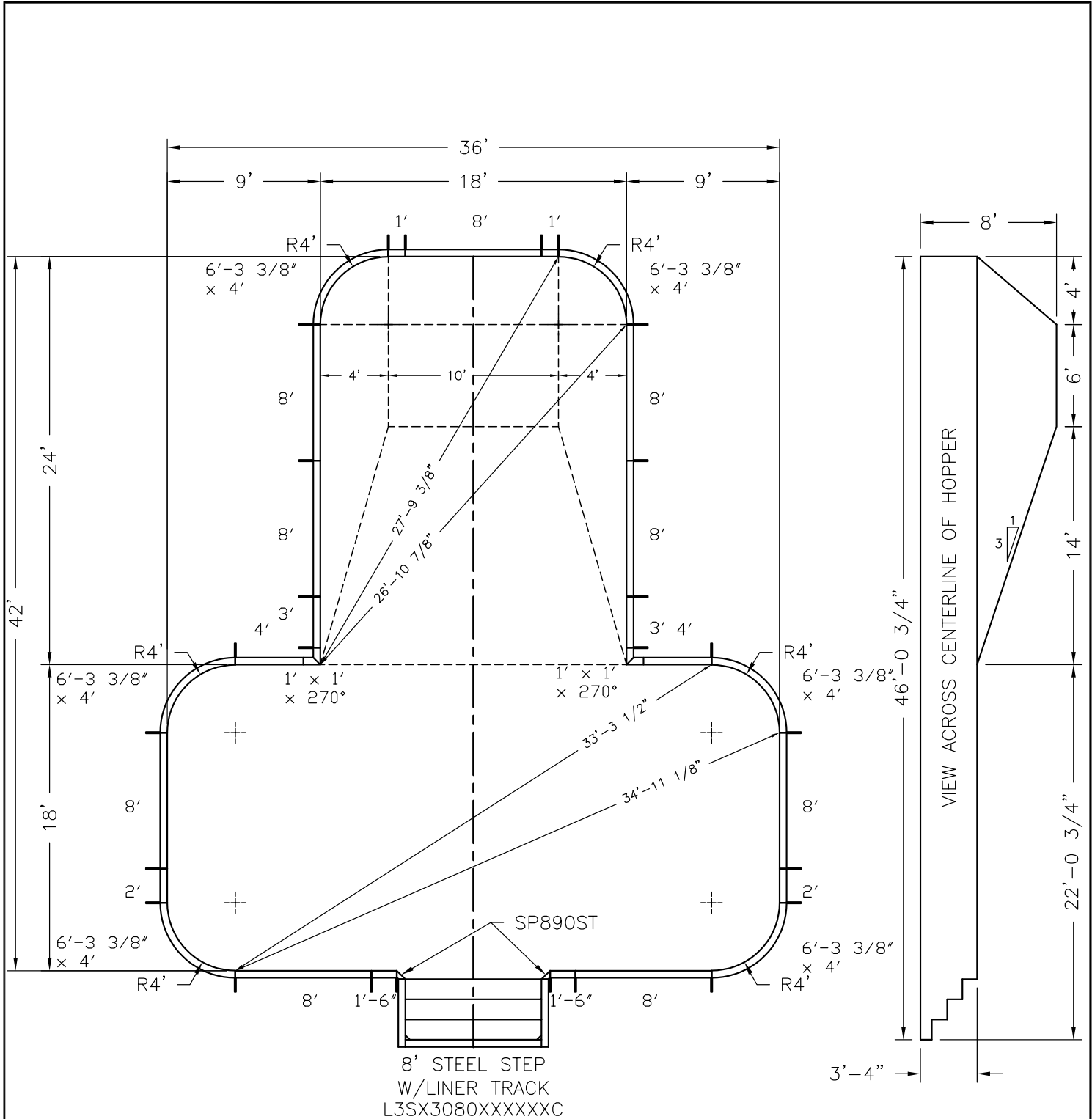
<b>Date:</b> 5/10/2022	<b>Perimeter:</b> 141'-2 7/8"	
<b>Drawn By:</b> JESSE H	<b>Area:</b> 908.1 SQ. FT.	
<b>Scale:</b> 1/8" = 1'-0"	<b>Notes:</b> -----	

This information is the confidential property of Cardinal Systems, Inc. Disclosure or duplication without proper written approval is strictly prohibited. Acceptance and use of this drawing constitutes knowledge and acceptance by the user of the terms and conditions set forth in the notice and warning which accompanied this drawing is incorporated herein and made part hereof and is found on Cardinal Systems, Inc's website at www.CardinalSystemsInc.com



**Pool Size:** 18' X 36' X 42'  
**Pool Shape:** TEE  
**Approx Gal:** 39,853  
**Pool Number:** 183642TEE - 4R (STEEL)

250 Route 61 South, Schuylkill Haven, PA 17972 • 570-385-4733 • fax: 570-385-1318 • CustomerService@CardinalSystemsinc.com



<b>Date:</b> 5/10/2022	<b>Perimeter:</b> 153'-2 7/8"
<b>Drawn By:</b> JESSE H	<b>Area:</b> 1092.1 SQ. FT.
<b>Scale:</b> 1/8" = 1'-0"	<b>Notes:</b> - - - -



This information is the confidential property of Cardinal Systems, Inc. Disclosure or duplication without proper written approval is strictly prohibited. Acceptance and use of this drawing constitutes knowledge and acceptance by the user of the terms and conditions set forth in the notice and warning which accompanied this drawing is incorporated herein and made part hereof and is found on Cardinal Systems, Inc's website at www.CardinalSystemsInc.com




**Pool Size:** 18' X 36' X 42'  
**Pool Shape:** TEE **Approx Gal:** 39,853  
**Pool Number:** 183642TEE – 4R (STEEL)

250 Route 61 South, Schuylkill Haven, PA 17972 • 570-385-4733 • fax: 570-385-1318 • CustomerService@CardinalSystemsinc.com

Bill of Materials

PART NO.	QUANTITY	DESCRIPTION
"A" FRAME	26	"A" FRAME ASSEMBLY
L3SX3080XXXXXC	1	8' STEEL STEP W/LINER TRACK
SP890ST	2	STRAIGHT WALL STEP TRANSITION
5C42633XX04000	6	6'-3 3/8" x 4' Radius C PANEL W/0 Z
5S42100XXX0	2	1' Straight PANEL W/0 Z
5S42160XXX0	2	1'-6" Straight PANEL W/0 Z
5S42200XXX0	2	2' Straight PANEL W/0 Z
5S42300XXX0	2	3' Straight PANEL W/0 Z
5S42400XXX0	2	4' Straight PANEL W/0 Z
5S42800XXX2	9	8' Straight PANEL W/2 Z
5T42100270100	2	1' x 1' x 270° ELL

<b>Date:</b> 5/10/2022	<b>Perimeter:</b> 153'-2 7/8"	 <small>cardinalpools.com</small>
<b>Drawn By:</b> JESSE H	<b>Area:</b> 1092.1 SQ. FT.	
<b>Scale:</b> 1/8" = 1'-0"	<b>Notes:</b> -----	

This Information Is the confidential property of Cardinal Systems, Inc. Disclosure or duplication without proper written approval is strictly prohibited. Acceptance and use of this drawing constitutes knowledge and acceptance by the user of the terms and conditions set forth in the notice and warning which accompanied this drawing is incorporated herein and made part hereof and is found on Cardinal Systems, Inc's website at [www.CardinalSystemsInc.com](http://www.CardinalSystemsInc.com)

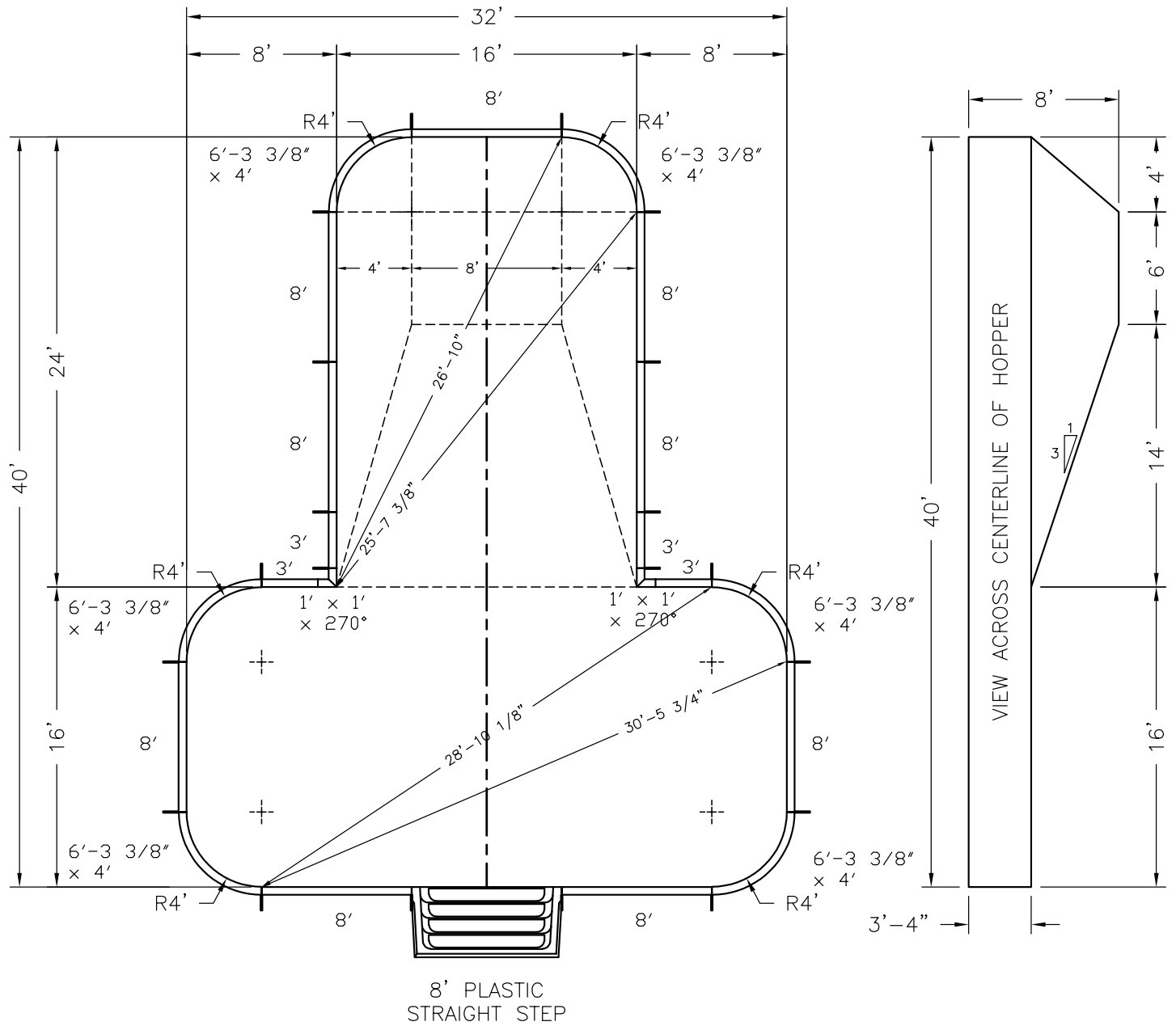


**Pool Size:** 16' X 32' X 40'  
**Pool Shape:** TEE  
**Approx Gal:** 31,843  
**Pool Number:** 163240TEE – 4R (PLASTIC)

250 Route 61 South, Schuylkill Haven, PA 17972 • 570-385-4733 • fax: 570-385-1318 • CustomerService@CardinalSystemsinc.com

### Bill of Materials

PART NO.	QUANTITY	DESCRIPTION
"A" FRAME	20	"A" FRAME ASSEMBLY
5C42633XX04000	6	6'-3 3/8" x 4' Radius C PANEL W/0 Z
5S42300XXX0	4	3' Straight PANEL W/0 Z
5S42800XXX2	9	8' Straight PANEL W/2 Z
5T42100270100	2	1' x 1' x 270° ELL



**Date:** 5/10/2022

**Perimeter:** 133'-8 3/8"

**Drawn By:** JESSE H

**Area:** 875.4 SQ. FT.

**Scale:** 1/8" = 1'-0"

**Notes:** -----



cardinalpools.com

This information is the confidential property of Cardinal Systems, Inc. Disclosure or duplication without proper written approval is strictly prohibited. Acceptance and use of this drawing constitutes knowledge and acceptance by the user of the terms and conditions set forth in the notice and warning which accompanied this drawing is incorporated herein and made part hereof and is found on Cardinal Systems, Inc's website at www.CardinalSystemsInc.com

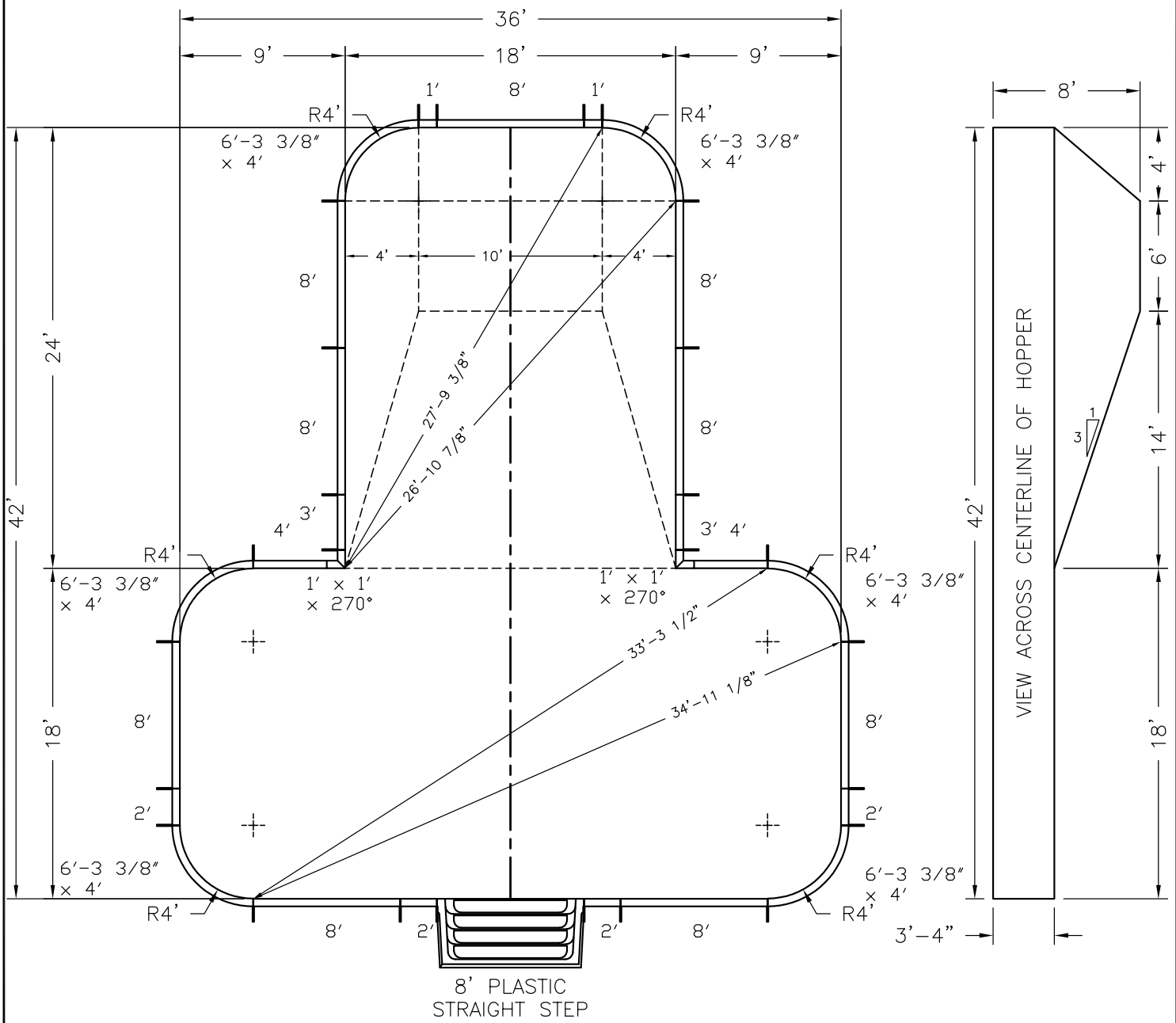


**Pool Size:** 18' X 36' X 42'  
**Pool Shape:** TEE  
**Approx Gal:** 38,536  
**Pool Number:** 183642TEE - 4R (PLASTIC)

250 Route 61 South, Schuylkill Haven, PA 17972 • 570-385-4733 • fax: 570-385-1318 • CustomerService@CardinalSystemsInc.com

### Bill of Materials

PART NO.	QUANTITY	DESCRIPTION
"A" FRAME	26	"A" FRAME ASSEMBLY
5C42633XX04000	6	6'-3 3/8" x 4" Radius C PANEL W/0 Z
5S42100XXX0	2	1' Straight PANEL W/0 Z
5S42200XXX0	4	2' Straight PANEL W/0 Z
5S42300XXX0	2	3' Straight PANEL W/0 Z
5S42400XXX0	2	4' Straight PANEL W/0 Z
5S42800XXX2	9	8' Straight PANEL W/2 Z
5T42100270100	2	1' x 1' x 270° ELL



8' PLASTIC STRAIGHT STEP

Date: 5/10/2022

Perimeter: 145'-8 3/8"

Drawn By: JESSE H

Area: 1059.4 SQ. FT.

Scale: 1/8" = 1'-0"

Notes: -----



cardinalpools.com

This information is the confidential property of Cardinal Systems, Inc. Disclosure or duplication without proper written approval is strictly prohibited. Acceptance and use of this drawing constitutes knowledge and acceptance by the user of the terms and conditions set forth in the notice and warning which accompanied this drawing. It is incorporated herein and made part hereof and is found on Cardinal Systems, Inc's website at www.CardinalSystemsInc.com

# ROMAN END

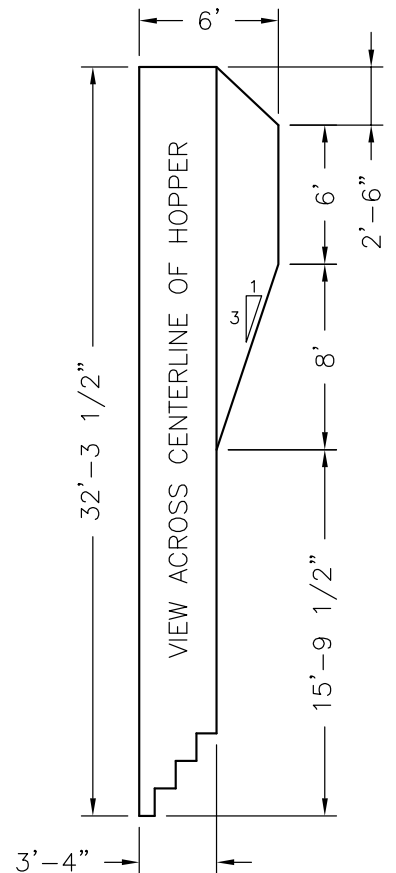
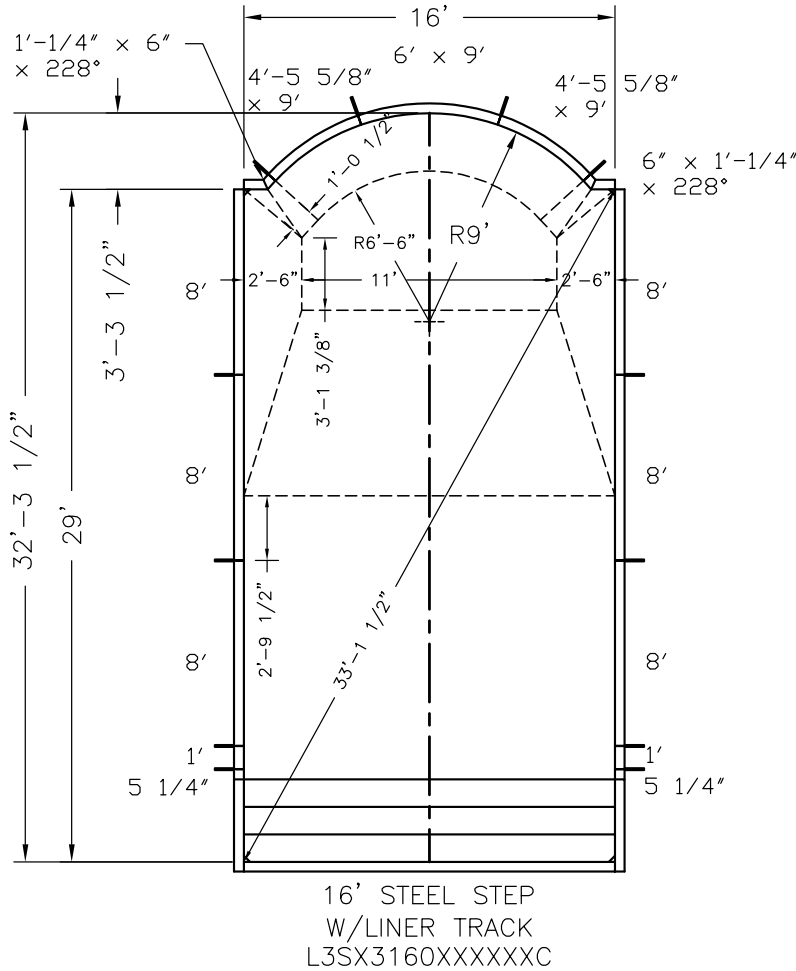


**Pool Size:** 16' X 32'  
**Pool Shape:** ROMAN END **Approx Gal:** 15,807  
**Pool Number:** 1632RE - 6 (STEEL L3)

250 Route 61 South, Schuylkill Haven, PA 17972 • 570-385-4733 • fax: 570-385-1318 • CustomerService@CardinalSystemsinc.com

## Bill of Materials

PART NO.	QUANTITY	DESCRIPTION
"A" FRAME	12	"A" FRAME ASSEMBLY
CS902SA	2	90 DEG CORNER ANGLE
CS902SB	2	6" RAD CORNER FILLER "BIG VEE"
L3SX3160XXXXXXC	1	16' STEEL STEP W/LINER TRACK
5C42455XX09000	2	4'-5 5/8" x 9' Radius C PANEL W/O Z
5C42600XX09000	1	6' x 9' Radius C PANEL W/O Z
5S42052XXX0	2	5 1/4" Straight PANEL W/O Z
5S42100XXX0	2	1' Straight PANEL W/O Z
5S42800XXX2	6	8' Straight PANEL W/2 Z
5T42060228102	1	6" x 1'-1/4" x 228° ELL
5T42102228060	1	1'-1/4" x 6" x 228° ELL



NOTE: THIS IS A NON DIVING POOL.

Date: 5/10/2022

Perimeter: 91'-11 3/4"

Drawn By: JESSE H

Area: 495.9 SQ. FT.

Scale: 1/8" = 1'-0"

Notes: - - - -



cardinalpools.com

This Information Is the confidential property of Cardinal Systems, Inc. Disclosure or duplication without proper written approval Is strictly prohibited. Acceptance and use of this drawing constitutes knowledge and acceptance by the user of the terms and conditions set forth in the notice and warning which accompanied this drawing is incorporated herein and made part hereof and Is found on Cardinal Systems, Inc's website at www.CardinalSystemsInc.com

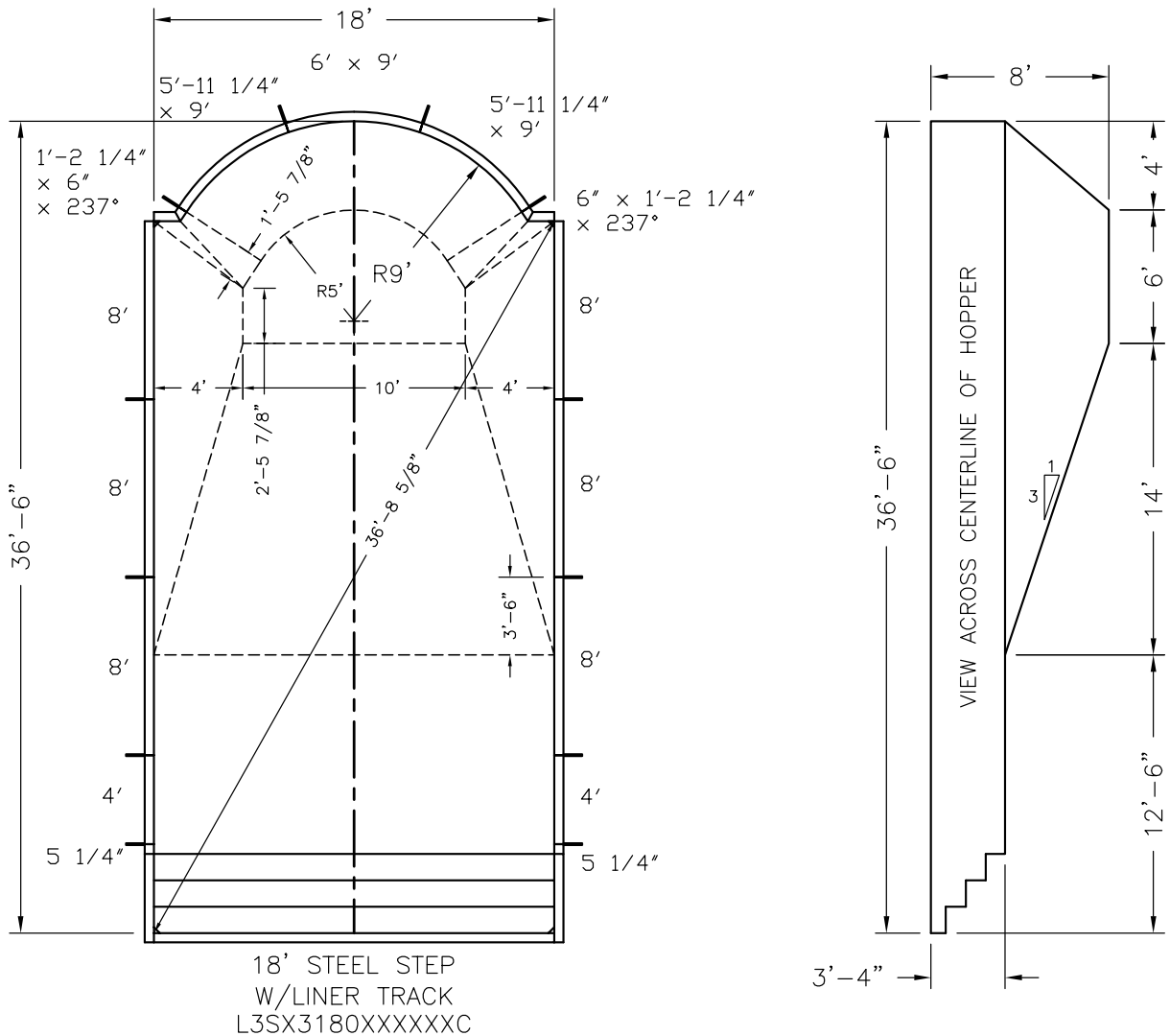


**Pool Size:** 18' X 36'  
**Pool Shape:** ROMAN END **Approx Gal:** 22,760  
**Pool Number:** 1836RE - 6 (STEEL L3)

250 Route 61 South, Schuylkill Haven, PA 17972 • 570-385-4733 • fax: 570-385-1318 • CustomerService@CardinalSystemsinc.com

### Bill of Materials

PART NO.	QUANTITY	DESCRIPTION
"A" FRAME	12	"A" FRAME ASSEMBLY
CS902SA	2	90 DEG CORNER ANGLE
CS902SB	2	6" RAD CORNER FILLER "BIG VEE"
L3SX3180XXXXXC	1	18' STEEL STEP W/LINER TRACK
5C425E2XX09000	2	5'-11 1/4" x 9' Radius C PANEL W/O Z
5C42600XX09000	1	6' x 9' Radius C PANEL W/O Z
5S42052XXX0	2	5 1/4" Straight PANEL W/O Z
5S42400XXX0	2	4' Straight PANEL W/O Z
5S42800XXX2	6	8' Straight PANEL W/2 Z
5T42060237122	1	6" x 1'-2 1/4" x 237° ELL
5T42122237060	1	1'-2 1/4" x 6" x 237° ELL



**Date:** 5/10/2022

**Perimeter:** 103'-3"

**Drawn By:** JESSE H

**Area:** 625.7 SQ. FT.

**Scale:** 1/8" = 1'-0"

**Notes:** -----



cardinalpools.com



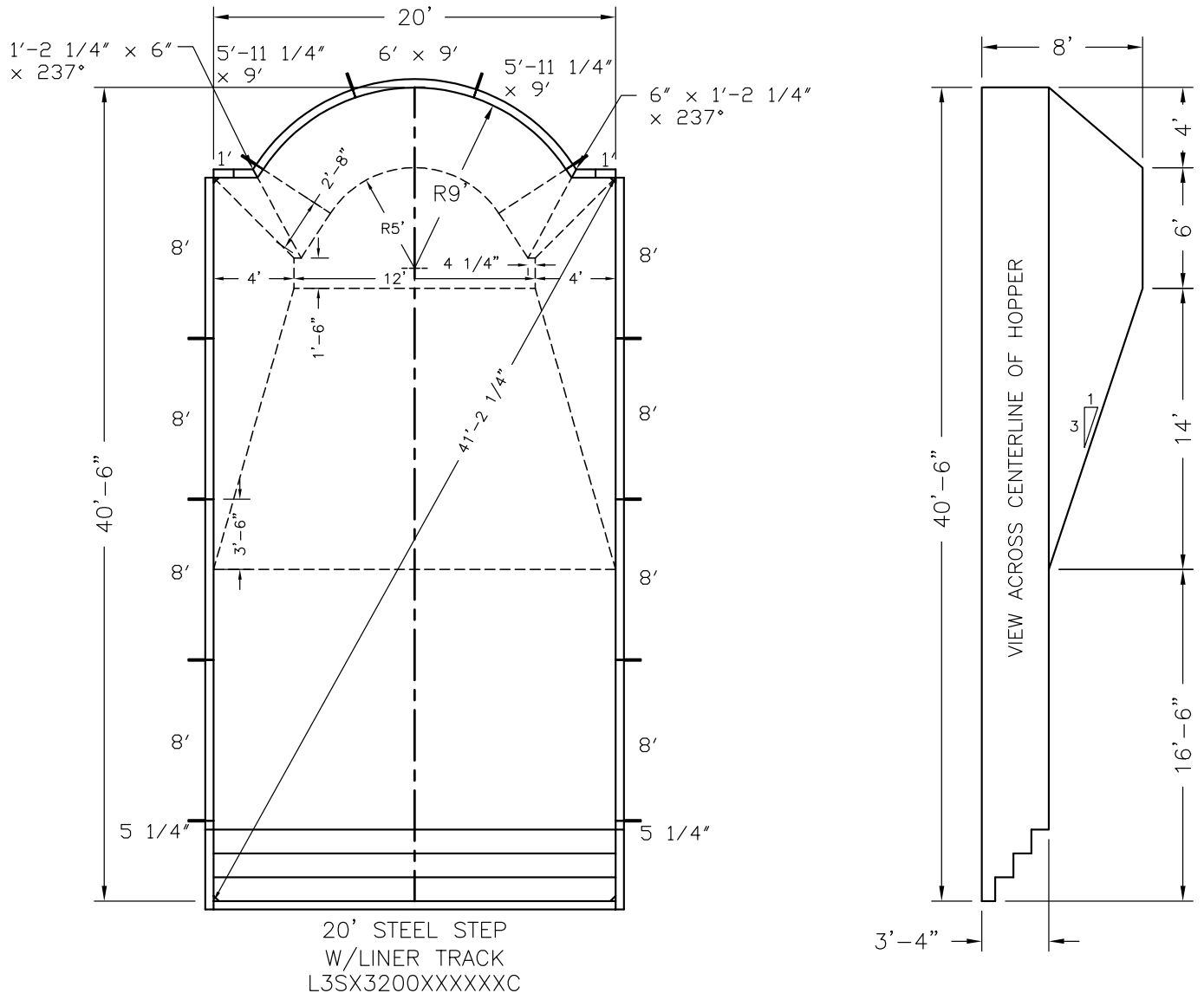


**Pool Size:** 20' X 40'  
**Pool Shape:** ROMAN END **Approx Gal:** 27,998  
**Pool Number:** 2040RE - 6 (STEEL L3)

250 Route 61 South, Schuylkill Haven, PA 17972 • 570-385-4733 • fax: 570-385-1318 • CustomerService@CardinalSystemsinc.com

Bill of Materials

PART NO.	QUANTITY	DESCRIPTION
"A" FRAME	12	"A" FRAME ASSEMBLY
CS902SA	2	90 DEG CORNER ANGLE
CS902SB	2	6" RAD CORNER FILLER "BIG VEE"
L3SX3200XXXXXXC	1	20' STEEL STEP W/LINER TRACK
5C425E2XX09000	2	5'-11 1/4" x 9' Radius C PANEL W/O Z
5C42600XX09000	1	6' x 9' Radius C PANEL W/O Z
5S42052XXX0	2	5 1/4" Straight PANEL W/O Z
5S42100XXX0	2	1' Straight PANEL W/O Z
5S42800XXX2	8	8' Straight PANEL W/2 Z
5T42060237122	1	6" x 1'-2 1/4" x 237° ELL
5T42122237060	1	1'-2 1/4" x 6" x 237° ELL



**Date:** 5/10/2022

**Perimeter:** 115'-3"

**Drawn By:** JESSE H

**Area:** 769.7 SQ. FT.

**Scale:** 1/8" = 1'-0"

**Notes:** - - - -



cardinalpools.com

This information is the confidential property of Cardinal Systems, Inc. Disclosure or duplication without proper written approval is strictly prohibited. Acceptance and use of this drawing constitutes knowledge and acceptance by the user of the terms and conditions set forth in the notice and warning which accompanied this drawing is incorporated herein and made part hereof and is found on Cardinal Systems, Inc's website at www.CardinalSystemsInc.com

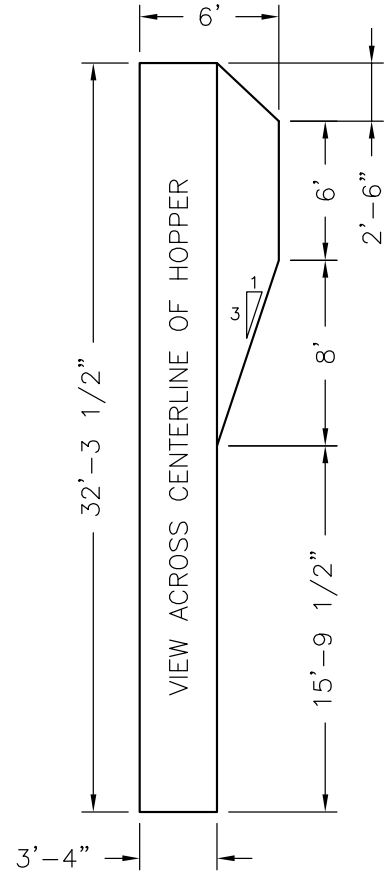
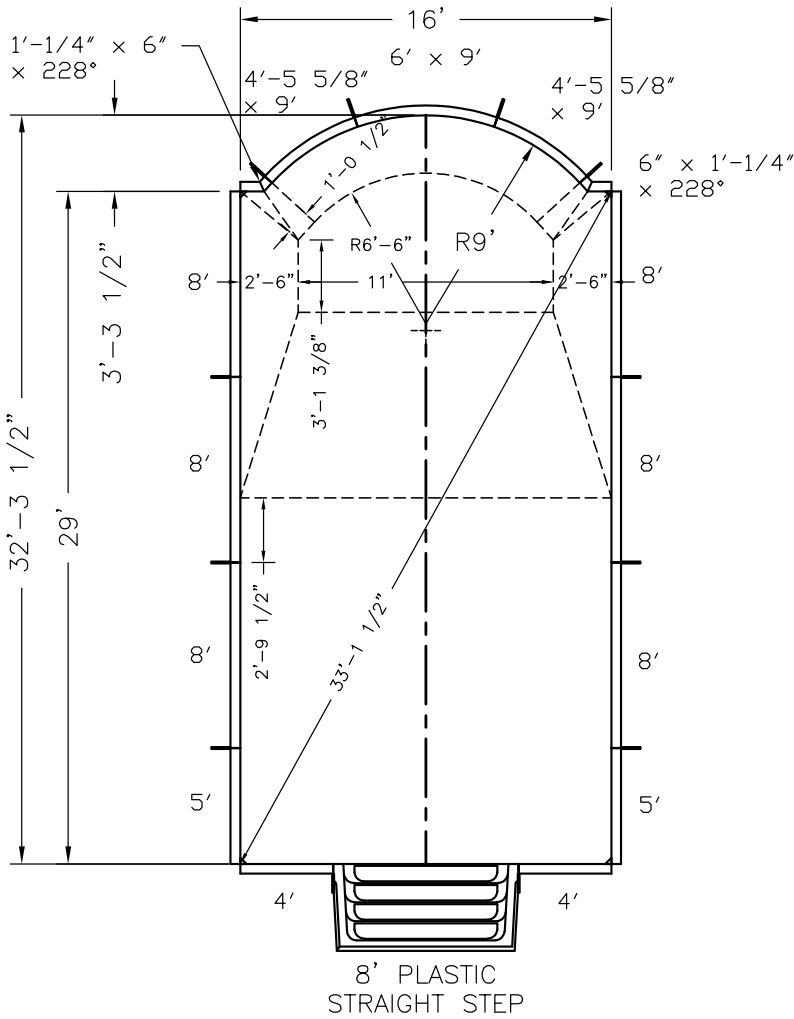


**Pool Size:** 16' X 32'  
**Pool Shape:** ROMAN END **Approx Gal:** 15,807  
**Pool Number:** 1632RE - 6 (PLASTIC)

250 Route 61 South, Schuylkill Haven, PA 17972 • 570-385-4733 • fax: 570-385-1318 • CustomerService@CardinalSystemsinc.com

### Bill of Materials

PART NO.	QUANTITY	DESCRIPTION
"A" FRAME	12	"A" FRAME ASSEMBLY
CS902SA	4	90 DEG CORNER ANGLE
CS902SB	4	6" RAD CORNER FILLER "BIG VEE"
5C42455XX09000	2	4'-5 5/8" x 9' Radius C PANEL W/0 Z
5C42600XX09000	1	6' x 9' Radius C PANEL W/0 Z
5S42400XXX0	2	4' Straight PANEL W/0 Z
5S42500XXX0	2	5' Straight PANEL W/0 Z
5S42800XXX2	6	8' Straight PANEL W/2 Z
5T42060228102	1	6" x 1'-1/4" x 228° ELL
5T42102228060	1	1'-1/4" x 6" x 228° ELL



NOTE: THIS IS A NON DIVING POOL.

<b>Date:</b> 5/10/2022	<b>Perimeter:</b> 91'-11 3/4"	
<b>Drawn By:</b> JESSE H	<b>Area:</b> 495.9 SQ. FT.	
<b>Scale:</b> 1/8" = 1'-0"	<b>Notes:</b> -----	

This information is the confidential property of Cardinal Systems, Inc. Disclosure or duplication without proper written approval is strictly prohibited. Acceptance and use of this drawing constitutes knowledge and acceptance by the user of the terms and conditions set forth in the notice and warning which accompanied this drawing is incorporated herein and made part hereof and is found on Cardinal Systems, Inc's website at www.CardinalSystemsInc.com

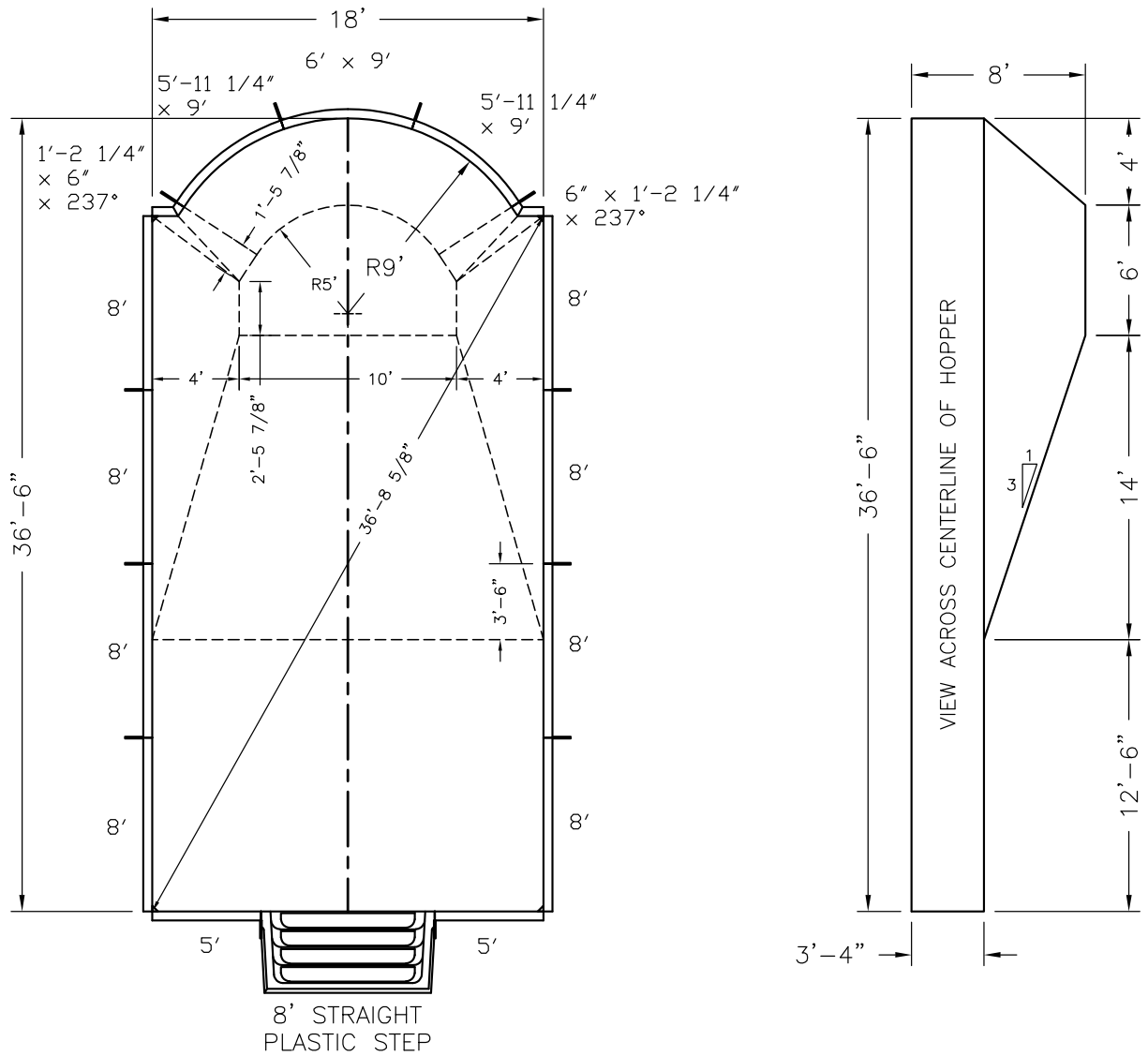


**Pool Size:** 18' X 36'  
**Pool Shape:** ROMAN END **Approx Gal:** 22,760  
**Pool Number:** 1836RE – 6 (PLASTIC)

250 Route 61 South, Schuylkill Haven, PA 17972 • 570-385-4733 • fax: 570-385-1318 • CustomerService@CardinalSystemsinc.com

### Bill of Materials

PART NO.	QUANTITY	DESCRIPTION
"A" FRAME	12	"A" FRAME ASSEMBLY
CS902SA	4	90 DEG CORNER ANGLE
CS902SB	4	6" RAD CORNER FILLER "BIG VEE"
5C425E2XX09000	2	5'-11 1/4" x 9' Radius C PANEL W/O Z
5C42600XX09000	1	6' x 9' Radius C PANEL W/O Z
5S42500XXX0	2	5' Straight PANEL W/O Z
5S42800XXX2	8	8' Straight PANEL W/2 Z
5T42060237122	1	6" x 1'-2 1/4" x 237° ELL
5T42122237060	1	1'-2 1/4" x 6" x 237° ELL



**Date:** 5/10/2022

**Perimeter:** 103'-3"

**Drawn By:** JESSE H

**Area:** 625.7 SQ. FT.

**Scale:** 1/8" = 1'-0"

**Notes:** - - - -



cardinalpools.com

This information is the confidential property of Cardinal Systems, Inc. Disclosure or duplication without proper written approval is strictly prohibited. Acceptance and use of this drawing constitutes knowledge and acceptance by the user of the terms and conditions set forth in the notice and warning which accompanied this drawing is incorporated herein and made part hereof and is found on Cardinal Systems, Inc's website at www.CardinalSystemsInc.com

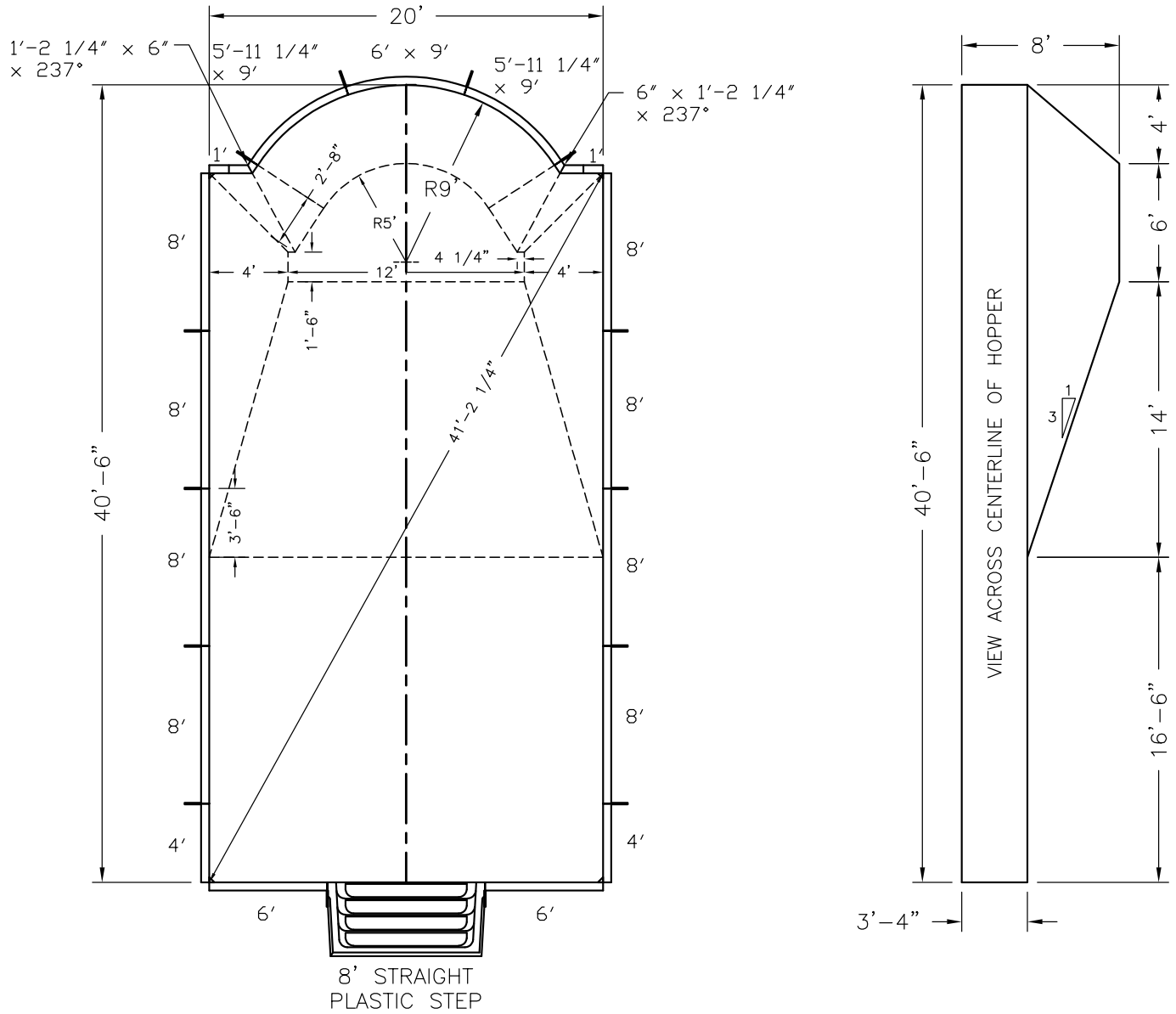


**Pool Size:** 20' X 40'  
**Pool Shape:** ROMAN END **Approx Gal:** 27,998  
**Pool Number:** 2040RE - 6 (PLASTIC)

250 Route 61 South, Schuylkill Haven, PA 17972 • 570-385-4733 • fax: 570-385-1318 • CustomerService@CardinalSystemsinc.com

### Bill of Materials

PART NO.	QUANTITY	DESCRIPTION
"A" FRAME	14	"A" FRAME ASSEMBLY
CS902SA	4	90 DEG CORNER ANGLE
CS902SB	4	6" RAD CORNER FILLER "BIG VEE"
5C425E2XX09000	2	5'-11 1/4" x 9" Radius C PANEL W/0 Z
5C42600XX09000	1	6' x 9" Radius C PANEL W/0 Z
5S42100XXX0	1	1' Straight PANEL W/0 Z
5S42400XXX0	4	4' Straight PANEL W/0 Z
5S42600XXX1	6	6' Straight PANEL W/1 Z
5S42800XXX2	8	8' Straight PANEL W/2 Z
5T42060237122	1	6" x 1'-2 1/4" x 237° ELL
5T42122237060	1	1'-2 1/4" x 6" x 237° ELL



<b>Date:</b> 5/10/2022	<b>Perimeter:</b> 115'-3"	
<b>Drawn By:</b> JESSE H	<b>Area:</b> 769.7 SQ. FT.	
<b>Scale:</b> 1/8" = 1'-0"	<b>Notes:</b> -----	

This information is the confidential property of Cardinal Systems, Inc. Disclosure or duplication without proper written approval is strictly prohibited. Acceptance and use of this drawing constitutes knowledge and acceptance by the user of the terms and conditions set forth in the notice and warning which accompanied this drawing is incorporated herein and made part hereof and is found on Cardinal Systems, Inc's website at www.CardinalSystemsInc.com

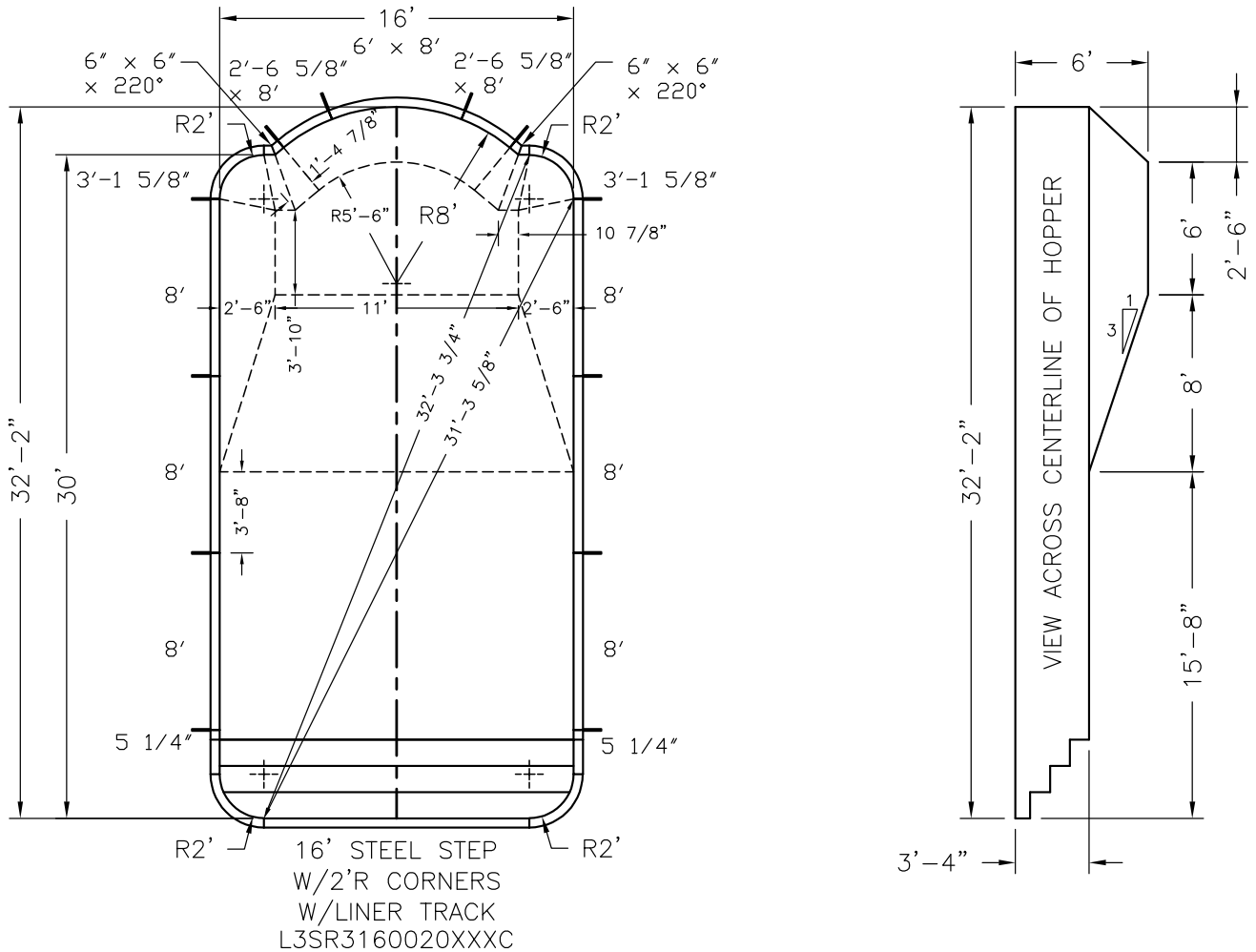


**Pool Size:** 16' X 32'  
**Pool Shape:** ROMAN END **Approx Gal:** 15,712  
**Pool Number:** 1632RE - 2R (STEEL L3)


250 Route 61 South, Schuylkill Haven, PA 17972 • 570-385-4733 • fax: 570-385-1318 • CustomerService@CardinalSystemsinc.com

Bill of Materials

PART NO.	QUANTITY	DESCRIPTION
"A" FRAME	12	"A" FRAME ASSEMBLY
5C42315XX02000	2	2' RADIUS CORNER
L3SR3160020XXXC	1	16' STEEL STEP W/2' RADIUS CORNERS W/LINER TRACK
5C42265XX08000	2	2'-6 5/8" x 8' Radius C PANEL W/O Z
5C42600XX08000	1	6' x 8' Radius C PANEL W/O Z
5S42052XXX0	2	5 1/4" Straight PANEL W/O Z
5S42800XXX2	6	8' Straight PANEL W/2 Z
5T42060220060	2	6" x 6" x 220° ELL



NOTE: THIS IS A NON DIVING POOL.

<b>Date:</b> 5/10/2022	<b>Perimeter:</b> 88'-8"	 cardinalpools.com
<b>Drawn By:</b> JESSE H	<b>Area:</b> 492.9 SQ. FT.	
<b>Scale:</b> 1/8" = 1'-0"	<b>Notes:</b> - - - -	

This information is the confidential property of Cardinal Systems, Inc. Disclosure or duplication without proper written approval is strictly prohibited. Acceptance and use of this drawing constitutes knowledge and acceptance by the user of the terms and conditions set forth in the notice and warning which accompanied this drawing is incorporated herein and made part hereof and is found on Cardinal Systems, Inc's website at www.CardinalSystemsInc.com

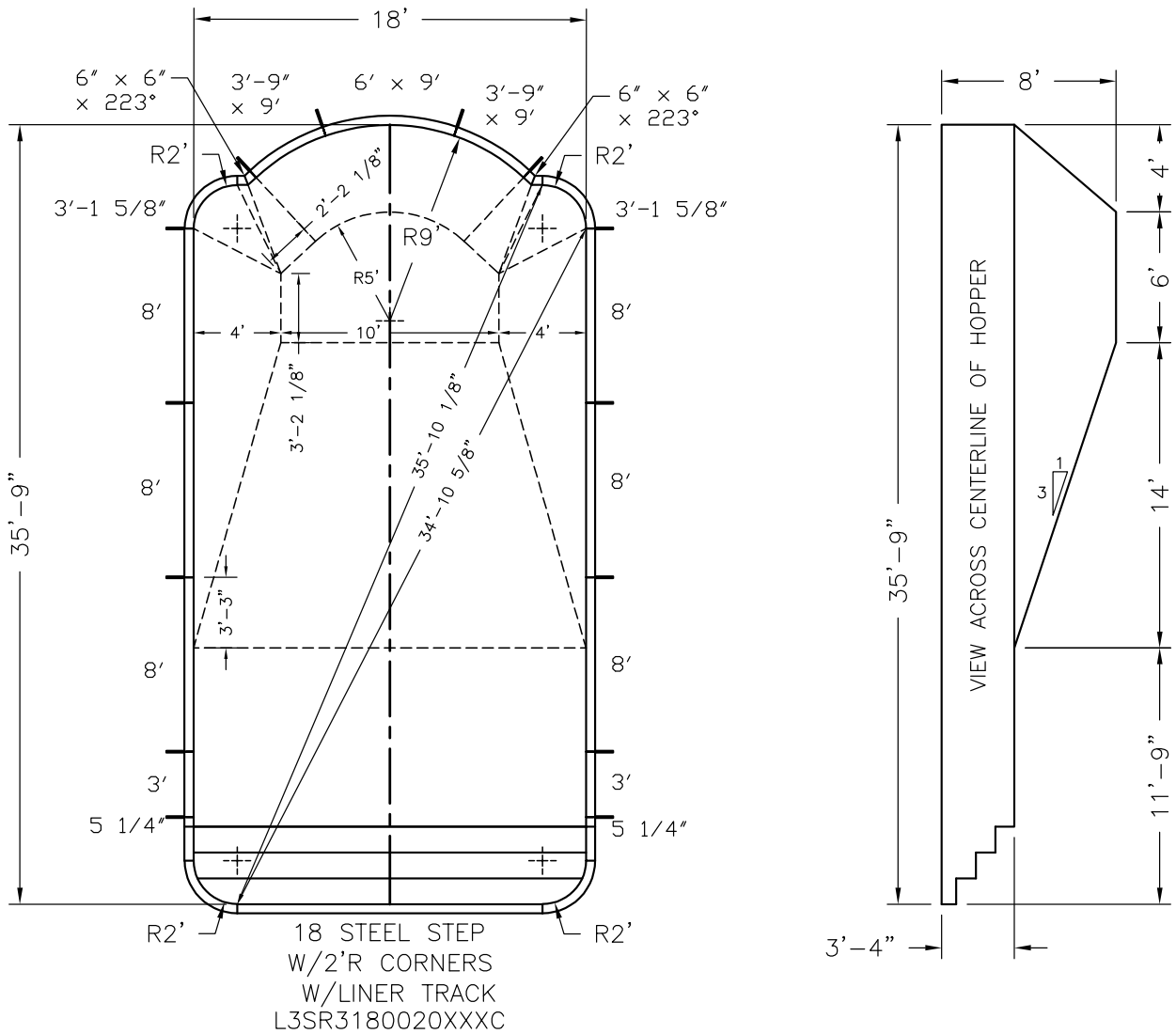


**Pool Size:** 18' X 36'  
**Pool Shape:** ROMAN END **Approx Gal:** 22,378  
**Pool Number:** 1836RE - 2R (STEEL L3)

250 Route 61 South, Schuylkill Haven, PA 17972 • 570-385-4733 • fax: 570-385-1318 • CustomerService@CardinalSystemsinc.com

### Bill of Materials

PART NO.	QUANTITY	DESCRIPTION
"A" FRAME	14	"A" FRAME ASSEMBLY
5C42315XX02000	2	2' RADIUS CORNER
L3SR3180020XXXX	1	18 STEEL STEP W/2' RADIUS CORNERS W/LINER TRACK
5C42390XX09000	2	3'-9" x 9' Radius C PANEL W/0 Z
5C42600XX09000	1	6' x 9' Radius C PANEL W/0 Z
5S42052XXX0	2	5 1/4" Straight PANEL W/0 Z
5S42300XXX0	2	3' Straight PANEL W/0 Z
5S42800XXX2	6	8' Straight PANEL W/2 Z
5T42060223060	2	6" x 6" x 223° ELL



Date: 5/10/2022

Perimeter: 100'-0 3/4"

Drawn By: JESSE H

Area: 615.2 SQ. FT.

Scale: 1/8" = 1'-0"

Notes: -----



cardinalpools.com

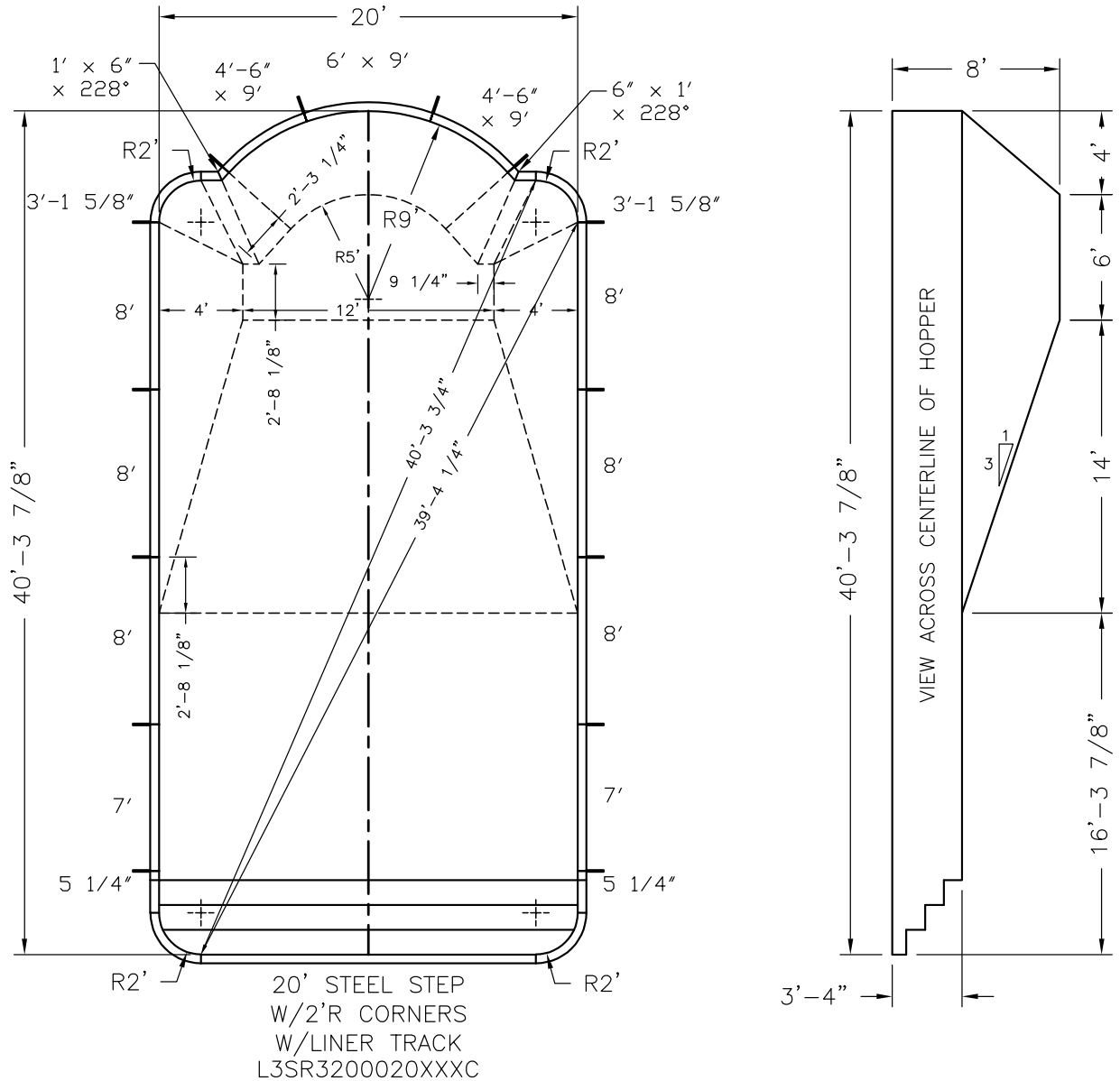


**Pool Size:** 20' X 40'  
**Pool Shape:** ROMAN END **Approx Gal:** 27,966  
**Pool Number:** 2040RE - 2R (STEEL L3)

250 Route 61 South, Schuylkill Haven, PA 17972 • 570-385-4733 • fax: 570-385-1318 • CustomerService@CardinalSystemsinc.com

Bill of Materials

PART NO.	QUANTITY	DESCRIPTION
"A" FRAME	14	"A" FRAME ASSEMBLY
5C42315XX02000	2	2' RADIUS CORNER
L3SR3200020XXXX	1	20' STEEL STEP W/2' RADIUS CORNERS W/LINER TRACK
5C42460XX09000	2	4'-6" x 9' Radius C PANEL W/0 Z
5C42600XX09000	1	6' x 9' Radius C PANEL W/0 Z
5S42052XXX0	2	5 1/4" Straight PANEL W/0 Z
5S42700XXX2	2	7' Straight PANEL W/2 Z
5S42800XXX2	6	8' Straight PANEL W/2 Z
5T42060228100	1	6" x 1' x 228° ELL
5T42100228060	1	1' x 6" x 228° ELL



**Date:** 5/10/2022

**Perimeter:** 112'-6 7/8"

**Drawn By:** JESSE H

**Area:** 768.8 SQ. FT.

**Scale:** 1/8" = 1'-0"

**Notes:** - - - -



cardinalpools.com

This information is the confidential property of Cardinal Systems, Inc. Disclosure or duplication without proper written approval is strictly prohibited. Acceptance and use of this drawing constitutes knowledge and acceptance by the user of the terms and conditions set forth in the notice and warning which accompanied this drawing is incorporated herein and made part hereof and is found on Cardinal Systems, Inc's website at www.CardinalSystemsInc.com

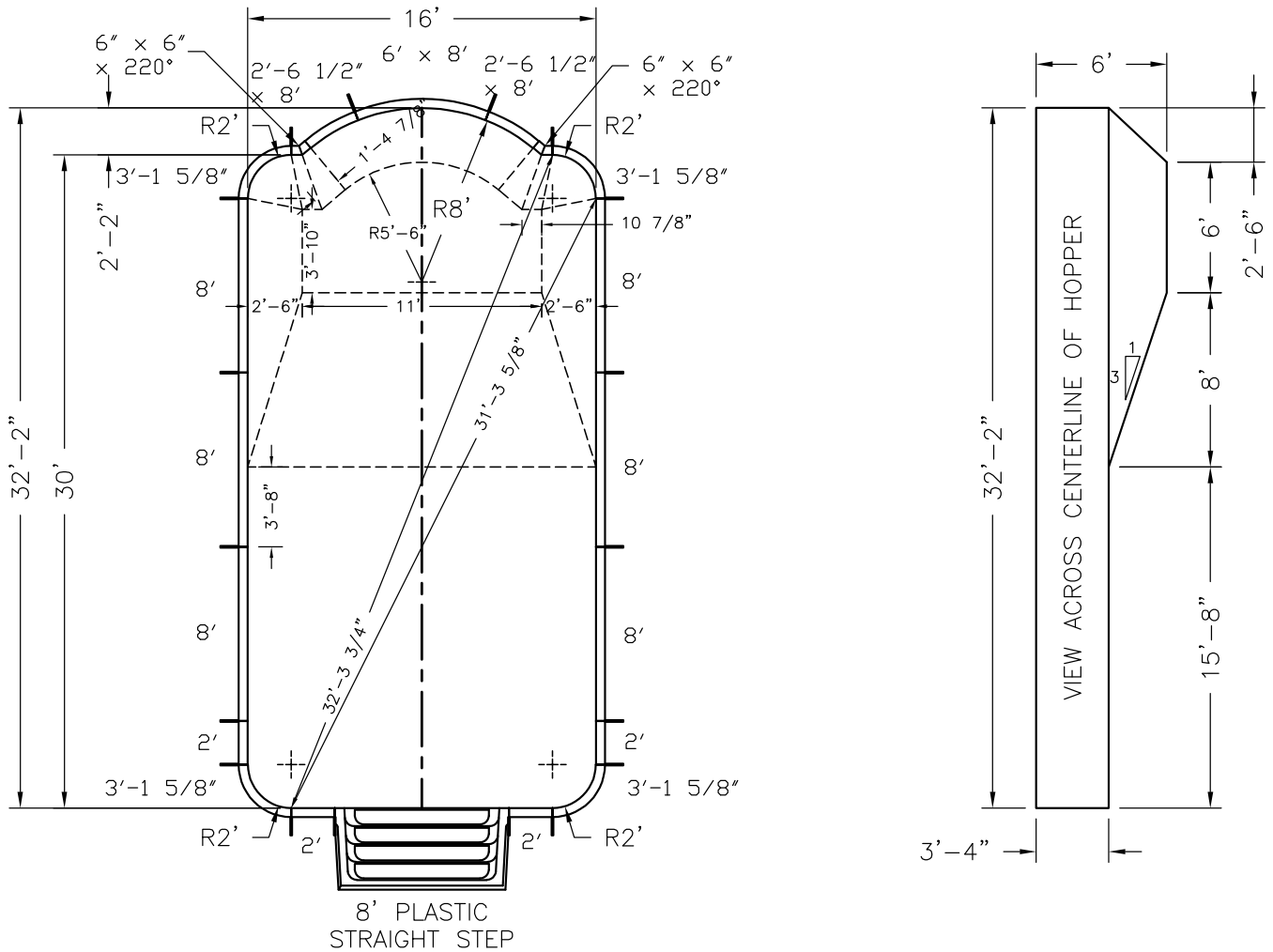


**Pool Size:** 16' X 32'  
**Pool Shape:** ROMAN END **Approx Gal:** 15,712  
**Pool Number:** 1632RE – 2R (PLASTIC)


250 Route 61 South, Schuylkill Haven, PA 17972 • 570-385-4733 • fax: 570-385-1318 • CustomerService@CardinalSystemsinc.com

### Bill of Materials

PART NO.	QUANTITY	DESCRIPTION
"A" FRAME	18	"A" FRAME ASSEMBLY
5C42315XX02000	4	2' RADIUS CORNER
5C42264XX08000	2	2'-6 1/2" x 8' Radius C PANEL W/O Z
5C42600XX08000	1	6' x 8' Radius C PANEL W/O Z
5S42200XXX0	4	2' Straight PANEL W/O Z
5S42800XX2	6	8' Straight PANEL W/2 Z
5T42060220060	2	6" x 6" x 220° ELL



NOTE: THIS IS A NON DIVING POOL.

<b>Date:</b> 5/10/2022	<b>Perimeter:</b> 89'-8"	 cardinalpools.com
<b>Drawn By:</b> JESSE H	<b>Area:</b> 492.9 SQ. FT.	
<b>Scale:</b> 1/8" = 1'-0"	<b>Notes:</b> -----	

This information is the confidential property of Cardinal Systems, Inc. Disclosure or duplication without proper written approval is strictly prohibited. Acceptance and use of this drawing constitutes knowledge and acceptance by the user of the terms and conditions set forth in the notice and warning which accompanied this drawing is incorporated herein and made part hereof and is found on Cardinal Systems, Inc's website at www.CardinalSystemsInc.com



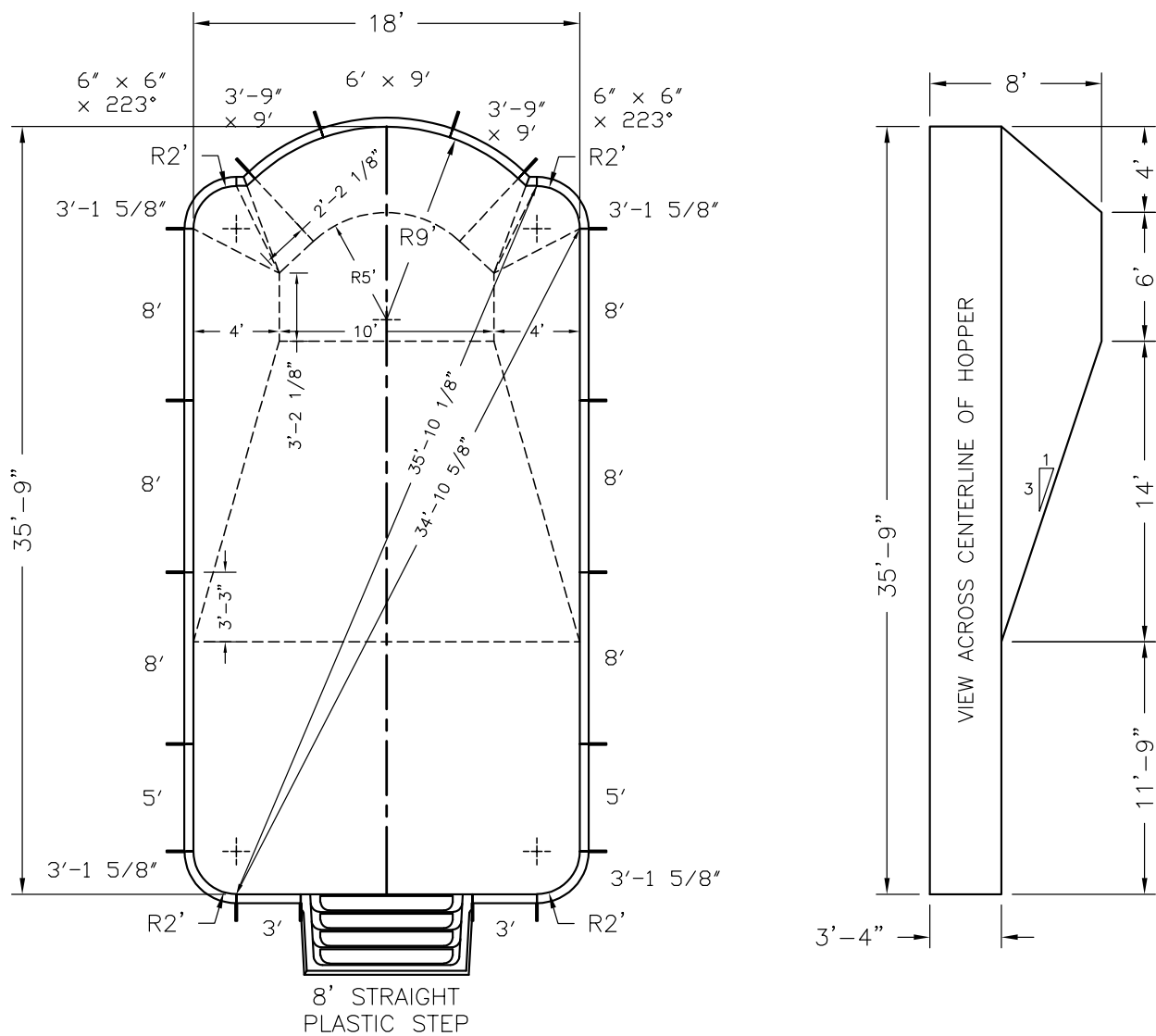


**Pool Size:** 18' X 36'  
**Pool Shape:** ROMAN END **Approx Gal:** 22,378  
**Pool Number:** 1836RE – 2R (PLASTIC)

250 Route 61 South, Schuylkill Haven, PA 17972 • 570-385-4733 • fax: 570-385-1318 • CustomerService@CardinalSystemsinc.com

### Bill of Materials

PART NO.	QUANTITY	DESCRIPTION
"A" FRAME	18	"A" FRAME ASSEMBLY
5C42315XX02000	4	2' RADIUS CORNER
5C42390XX09000	2	3'-9" x 9' Radius C PANEL W/0 Z
5C42600XX09000	1	6' x 9' Radius C PANEL W/0 Z
5S42300XXX0	2	3' Straight PANEL W/0 Z
5S42500XXX0	2	5' Straight PANEL W/0 Z
5S42800XXX2	6	8' Straight PANEL W/2 Z
5T42060223060	2	6" x 6" x 223° ELL



**Date:** 5/10/2022

**Perimeter:** 100'-0 3/4"

**Drawn By:** JESSE H

**Area:** 615.2 SQ. FT.

**Scale:** 1/8" = 1'-0"

**Notes:** - - - -



cardinalpools.com

This information is the confidential property of Cardinal Systems, Inc. Disclosure or duplication without proper written approval is strictly prohibited. Acceptance and use of this drawing constitutes knowledge and acceptance by the user of the terms and conditions set forth in the notice and warning which accompanied this drawing is incorporated herein and made part hereof and is found on Cardinal Systems, Inc's website at www.CardinalSystemsInc.com

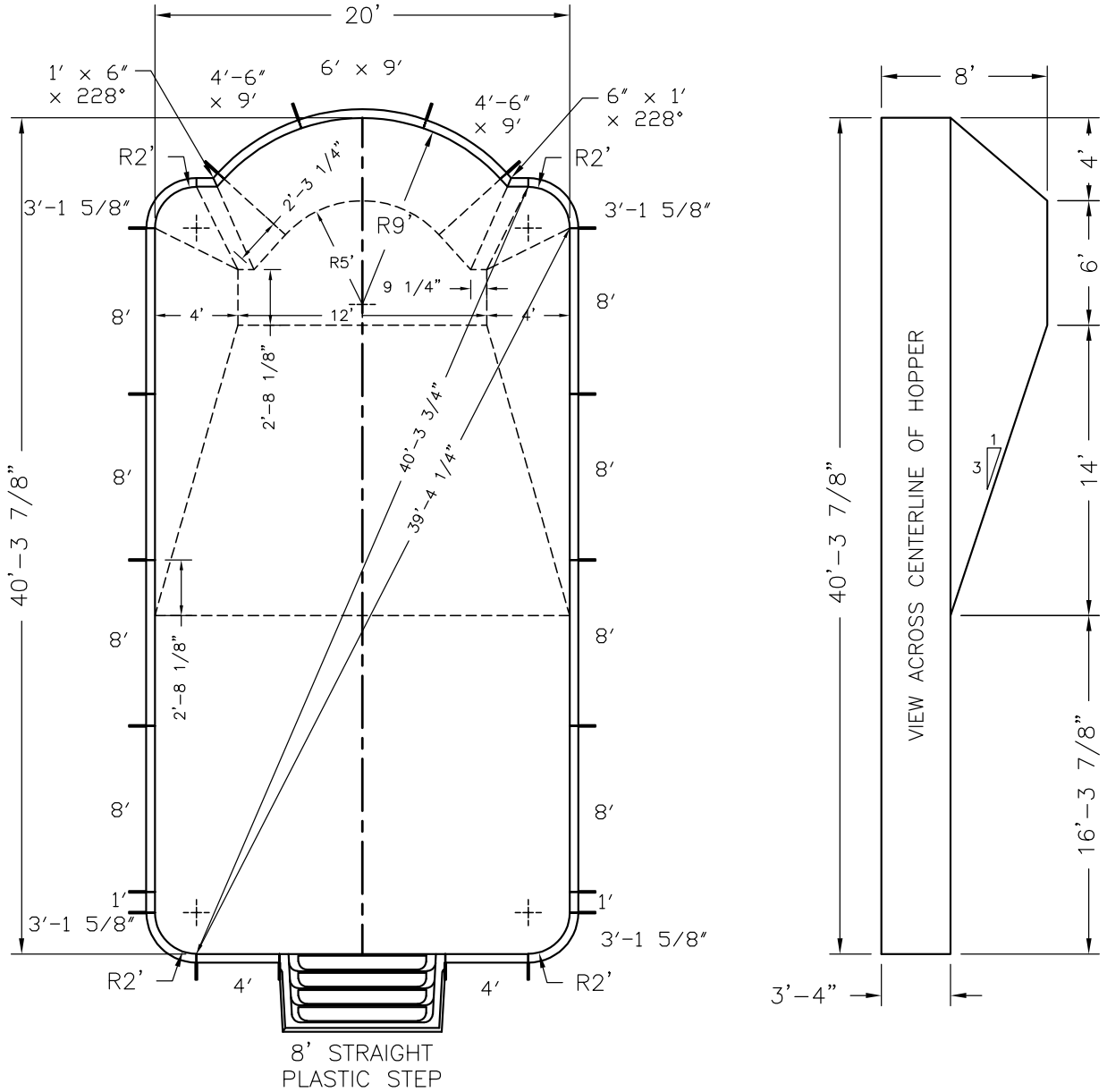


**Pool Size:** 20' X 40'  
**Pool Shape:** ROMAN END **Approx Gal:** 27,966  
**Pool Number:** 2040RE - 2R (PLASTIC)

250 Route 61 South, Schuylkill Haven, PA 17972 • 570-385-4733 • fax: 570-385-1318 • CustomerService@CardinalSystemsinc.com

### Bill of Materials

PART NO.	QUANTITY	DESCRIPTION
"A" FRAME	20	"A" FRAME ASSEMBLY
5C42315XX02000	4	2" RADIUS CORNER
5C42460XX09000	2	4'-6" x 9' Radius C PANEL W/O Z
5C42600XX09000	1	6' x 9' Radius C PANEL W/O Z
5S42100XXX0	2	1' Straight PANEL W/O Z
5S42400XXX0	2	4' Straight PANEL W/O Z
5S42800XXX2	8	8' Straight PANEL W/2 Z
5T42060228100	1	6" x 1' x 228° ELL
5T42100228060	1	1' x 6" x 228° ELL



Date: 5/10/2022

Perimeter: 112'-6 7/8"

Drawn By: JESSE H

Area: 768.8 SQ. FT.

Scale: 1/8" = 1'-0"

Notes: -----



cardinalpools.com

This Information is the confidential property of Cardinal Systems, Inc. Disclosure or duplication without proper written approval is strictly prohibited. Acceptance and use of this drawing constitutes knowledge and acceptance by the user of the terms and conditions set forth in the notice and warning which accompanied this drawing is incorporated herein and made part hereof and is found on Cardinal Systems, Inc's website at www.CardinalSystemsInc.com

# DOUBLE ROMAN END

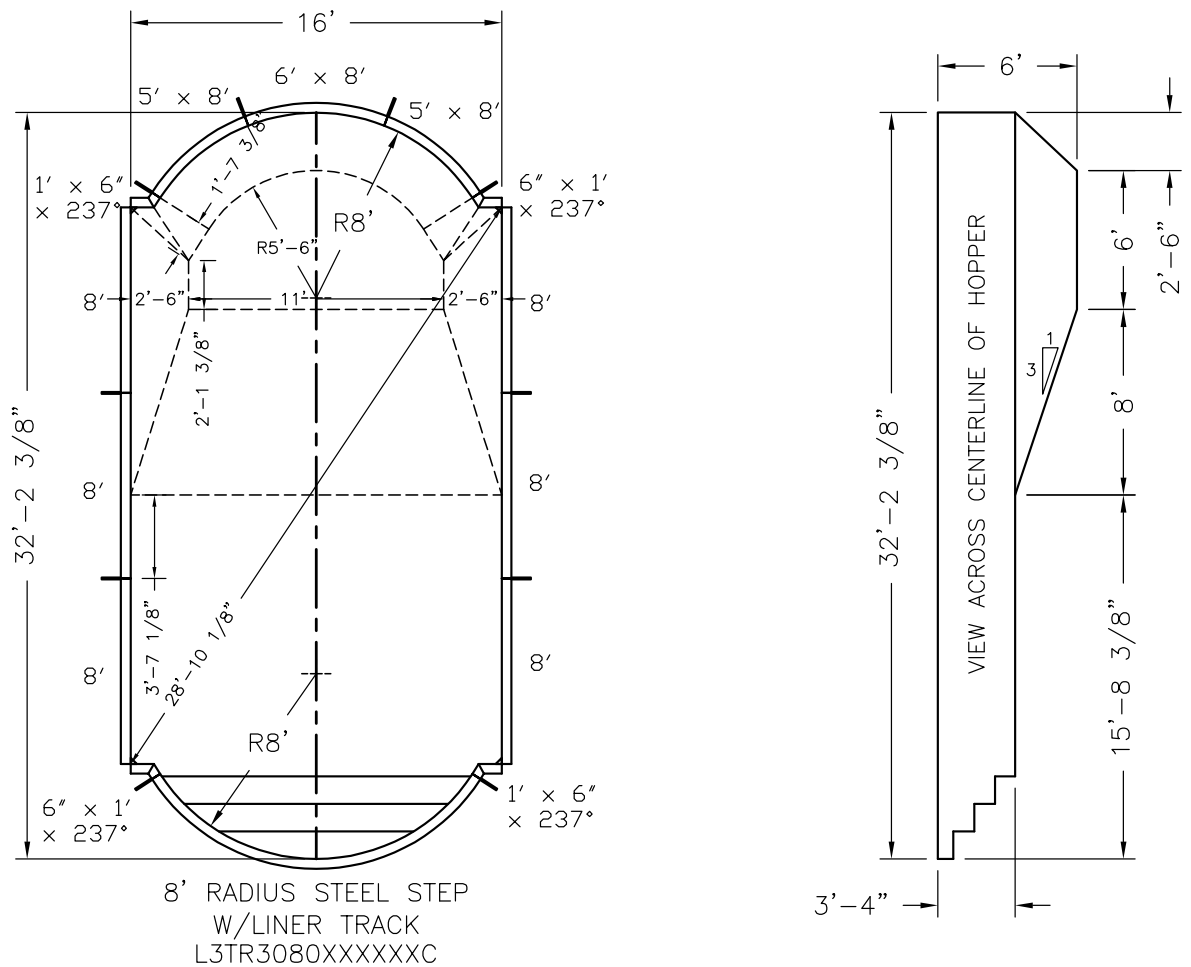


**Pool Size:** 16' X 32' **Approx Gal:** 14,835  
**Pool Shape:** DOUBLE ROMAN END  
**Pool Number:** 1632DRE - 6 (STEEL)

250 Route 61 South, Schuylkill Haven, PA 17972 • 570-385-4733 • fax: 570-385-1318 • CustomerService@CardinalSystemsinc.com

## Bill of Materials

PART NO.	QUANTITY	DESCRIPTION
"A" FRAME	10	"A" FRAME ASSEMBLY
CS902SA	4	90 DEG CORNER ANGLE
CS902SB	4	6" RAD CORNER FILLER "BIG VEE"
L3TR3080XXXXXC	1	8' RADIUS STEEL STEP W/LINER TRACK
5C42500XX08000	2	5' x 8' Radius C PANEL W/O Z
5C42600XX08000	1	6' x 8' Radius C PANEL W/O Z
5S42800XXX2	6	8' Straight PANEL W/2 Z
5T42060237100	2	6" x 1' x 237° ELL
5T42100237060	2	1' x 6" x 237° ELL



NOTE: THIS IS A NON DIVING POOL.

<b>Date:</b> 5/10/2022	<b>Perimeter:</b> 85'-11 7/8"	 cardinalpools.com
<b>Drawn By:</b> JESSE H	<b>Area:</b> 465.4 SQ. FT.	
<b>Scale:</b> 1/8" = 1'-0"	<b>Notes:</b> - - - -	

This information is the confidential property of Cardinal Systems, Inc. Disclosure or duplication without proper written approval is strictly prohibited. Acceptance and use of this drawing constitutes knowledge and acceptance by the user of the terms and conditions set forth in the notice and warning which accompanied this drawing is incorporated herein and made part hereof and is found on Cardinal Systems, Inc's website at [www.CardinalSystemsInc.com](http://www.CardinalSystemsInc.com)

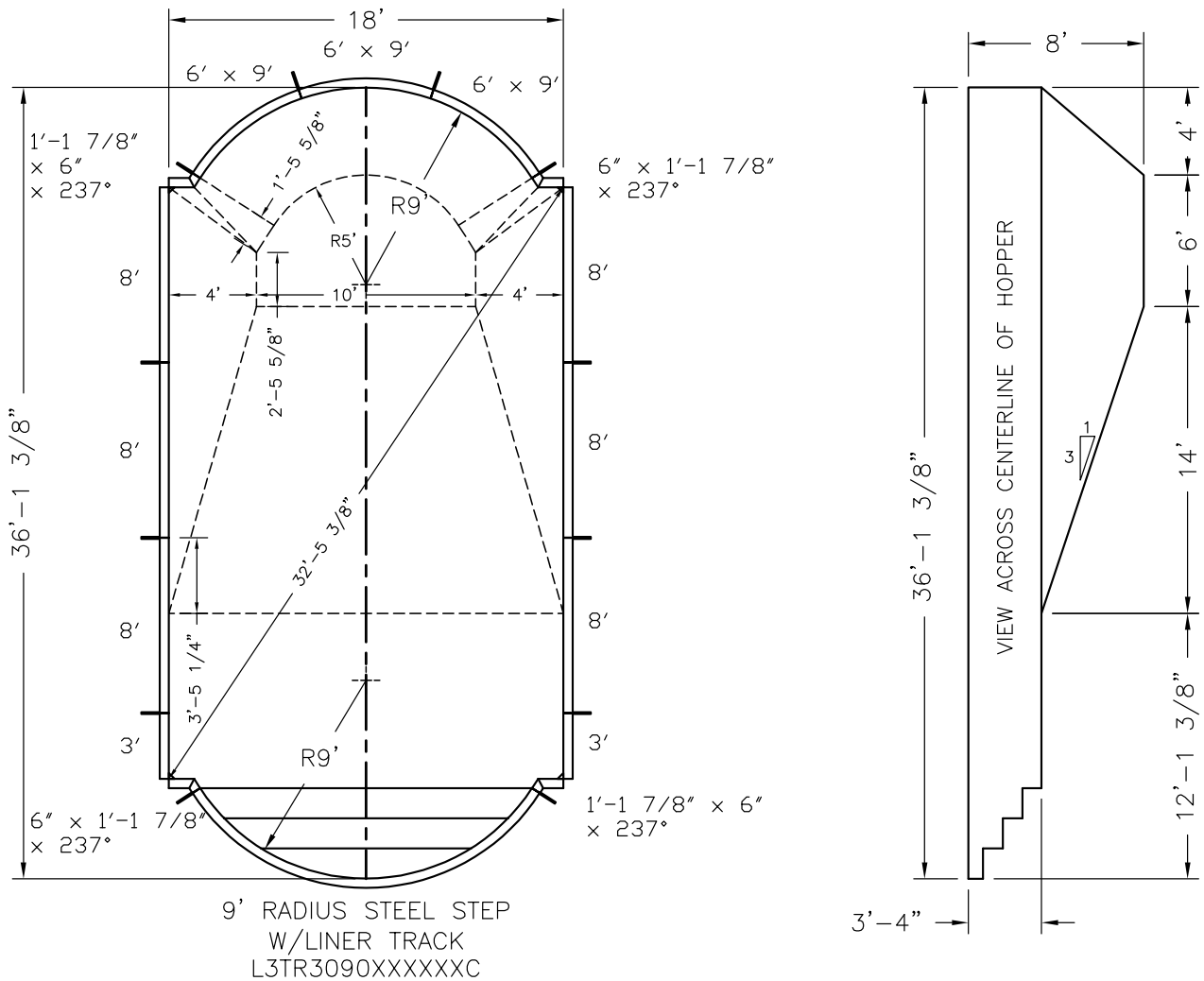


**Pool Size:** 18' X 36' **Approx Gal:** 21,364  
**Pool Shape:** DOUBLE ROMAN END  
**Pool Number:** 1836DRE – 6 (STEEL)

250 Route 61 South, Schuylkill Haven, PA 17972 • 570-385-4733 • fax: 570-385-1318 • CustomerService@CardinalSystemsinc.com

### Bill of Materials

PART NO.	QUANTITY	DESCRIPTION
"A" FRAME	12	"A" FRAME ASSEMBLY
CS902SA	4	90 DEG CORNER ANGLE
CS902SB	4	6" RAD CORNER FILLER "BIG VEE"
L3TR3090XXXXXC	1	9' RADIUS STEEL STEP W/LINER TRACK
5C42600XX09000	3	6' x 9' Radius C PANEL W/O Z
5S42300XXX0	2	3' Straight PANEL W/O Z
5S42800XXX2	6	8' Straight PANEL W/2 Z
5T42060237117	2	6" x 1'-1 7/8" x 237° ELL
5T42117237060	2	1'-1 7/8" x 6" x 237° ELL



**Date:** 5/10/2022

**Perimeter:** 96'-7 1/2"

**Drawn By:** JESSE H

**Area:** 587.3 SQ. FT.

**Scale:** 1/8" = 1'-0"

**Notes:** -----



cardinalpools.com

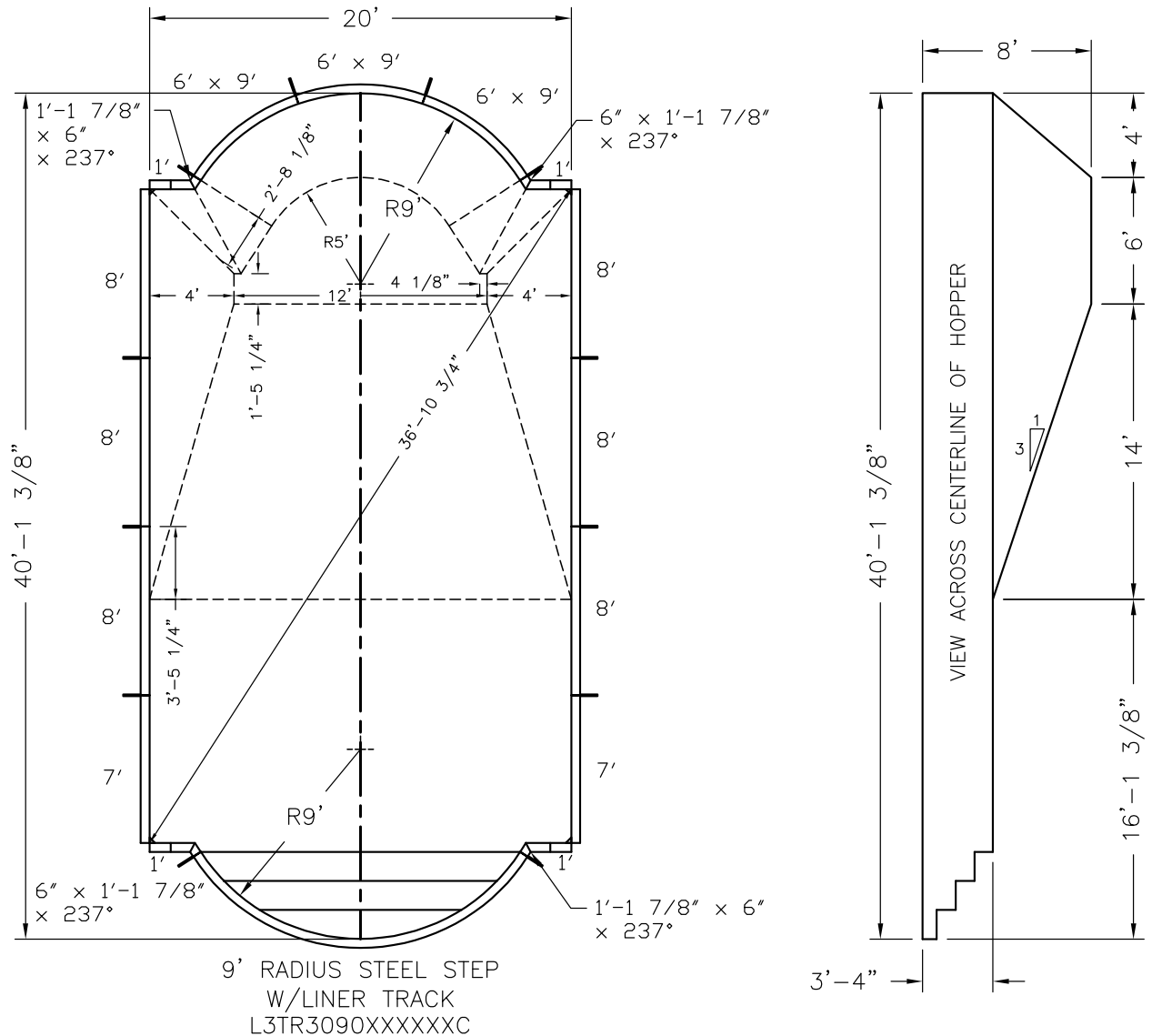


**Pool Size:** 20' X 40' **Approx Gal:** 26,237  
**Pool Shape:** DOUBLE ROMAN END  
**Pool Number:** 2040DRE - 6 (STEEL)

250 Route 61 South, Schuylkill Haven, PA 17972 • 570-385-4733 • fax: 570-385-1318 • CustomerService@CardinalSystemsinc.com

Bill of Materials

PART NO.	QUANTITY	DESCRIPTION
"A" FRAME	12	"A" FRAME ASSEMBLY
CS902SA	4	90 DEG CORNER ANGLE
CS902SB	4	6" RAD CORNER FILLER "BIG VEE"
L3TR3090XXXXXXC	1	9' RADIUS STEEL STEP W/LINER TRACK
5C42600XX09000	3	6' x 9' Radius C PANEL w/0 Z
5S42100XXX0	4	1' Straight PANEL w/0 Z
5S42700XXX2	2	7' Straight PANEL w/2 Z
5S42800XXX2	6	8' Straight PANEL w/2 Z
5T42060237117	2	6" x 1'-1 7/8" x 237° ELL
5T42117237060	2	1'-1 7/8" x 6" x 237° ELL



**Date:** 5/10/2022

**Perimeter:** 108'-7 1/2"

**Drawn By:** JESSE H

**Area:** 721.3 SQ. FT.

**Scale:** 1/8" = 1'-0"

**Notes:** - - - -



cardinalpools.com

This information is the confidential property of Cardinal Systems, Inc. Disclosure or duplication without proper written approval is strictly prohibited. Acceptance and use of this drawing constitutes knowledge and acceptance by the user of the terms and conditions set forth in the notice and warning which accompanied this drawing is incorporated herein and made part hereof and is found on Cardinal Systems, Inc's website at www.CardinalSystemsInc.com

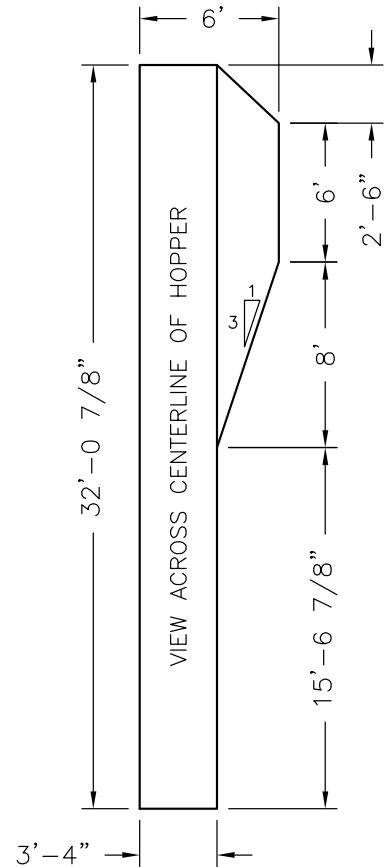
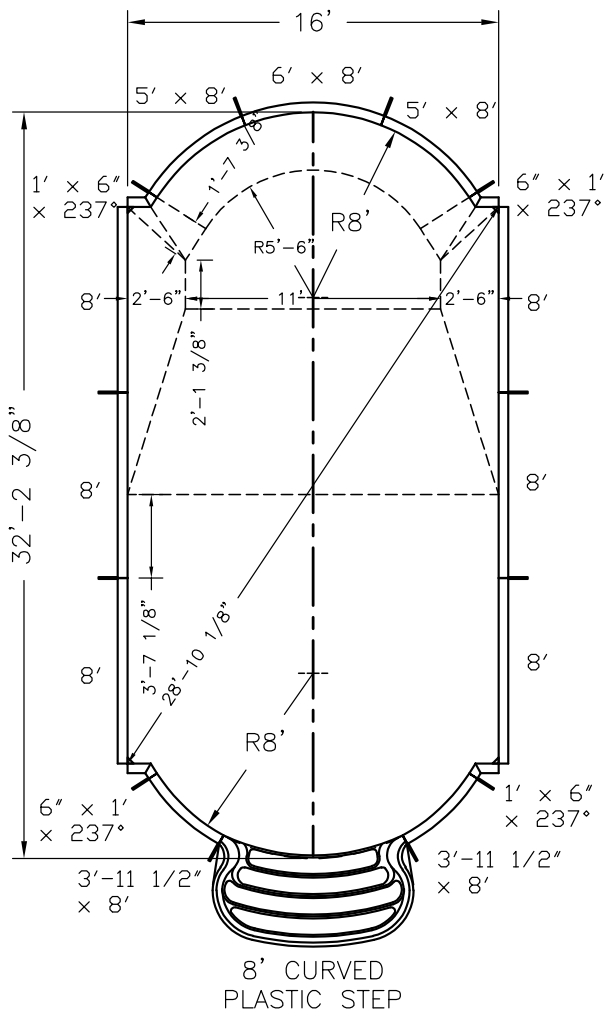


**Pool Size:** 16' X 32' **Approx Gal:** 14,813  
**Pool Shape:** DOUBLE ROMAN END  
**Pool Number:** 1632DRE – 6 (PLASTIC)

250 Route 61 South, Schuylkill Haven, PA 17972 • 570-385-4733 • fax: 570-385-1318 • CustomerService@CardinalSystemsInc.com

### Bill of Materials

PART NO.	QUANTITY	DESCRIPTION
"A" FRAME	12	"A" FRAME ASSEMBLY
CS902SA	4	90 DEG CORNER ANGLE
CS902SB	4	6" RAD CORNER FILLER "BIG VEE"
5C423E4XX08000	2	3'-11 1/2" x 8' Radius C PANEL W/0 Z
5C42500XX08000	2	5' x 8' Radius C PANEL W/0 Z
5C42600XX08000	1	6' x 8' Radius C PANEL W/0 Z
5S42800XXX2	6	8' Straight PANEL W/2 Z
5T42060237100	2	6" x 1' x 237° ELL
5T42100237060	2	1' x 6" x 237° ELL



NOTE: THIS IS A NON DIVING POOL.

<b>Date:</b> 5/10/2022	<b>Perimeter:</b> 85'-11"	 <small>cardinalpools.com</small>
<b>Drawn By:</b> JESSE H	<b>Area:</b> 464.7 SQ. FT.	
<b>Scale:</b> 1/8" = 1'-0"	<b>Notes:</b> -----	

This information is the confidential property of Cardinal Systems, Inc. Disclosure or duplication without proper written approval is strictly prohibited. Acceptance and use of this drawing constitutes knowledge and acceptance by the user of the terms and conditions set forth in the notice and warning which accompanied this drawing is incorporated herein and made part hereof and is found on Cardinal Systems, Inc's website at www.CardinalSystemsInc.com



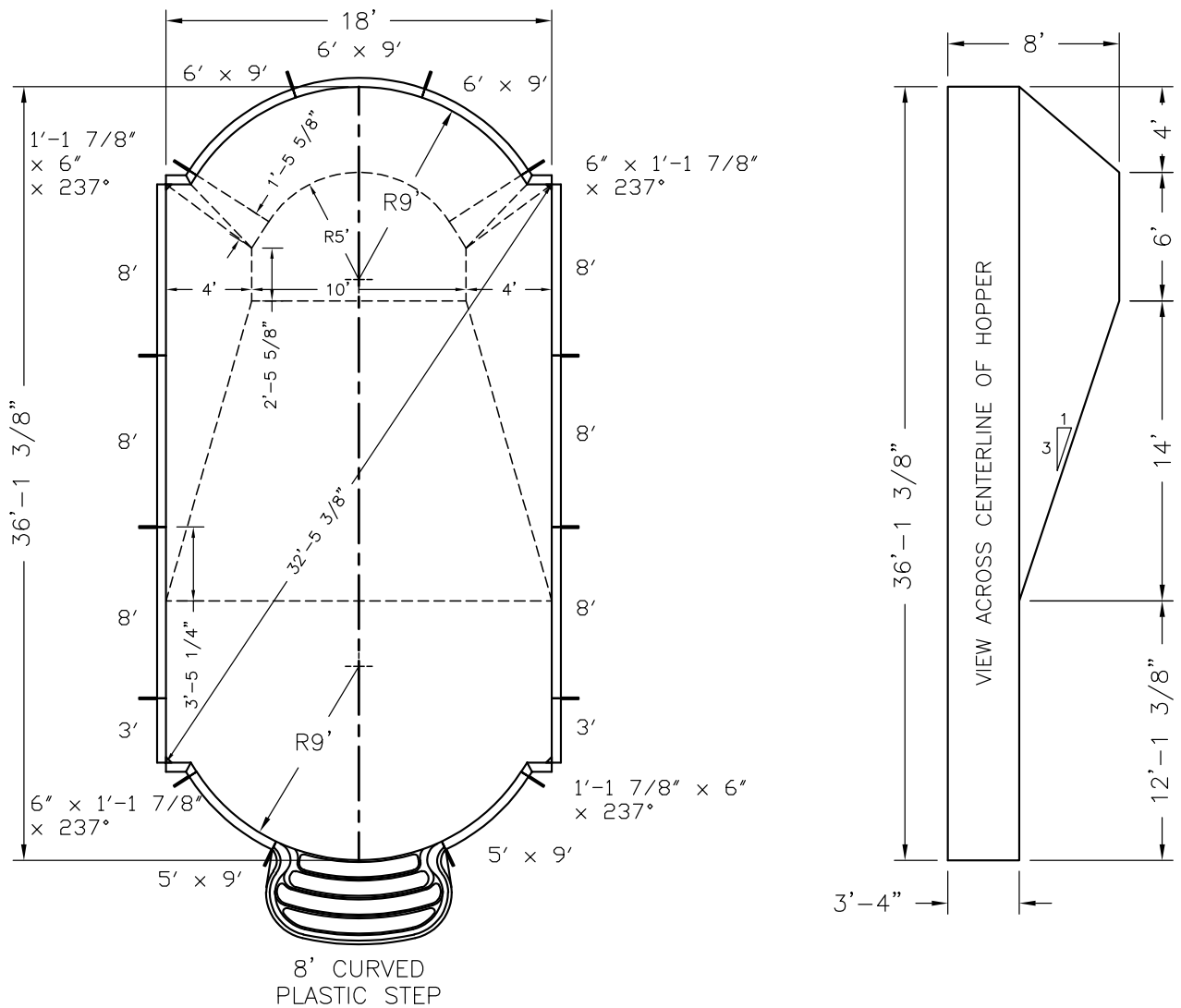
**Pool Size:** 18' X 36'  
**Pool Shape:** DOUBLE ROMAN END  
**Pool Number:** 1836DRE – 6 (PLASTIC)

**Approx Gal:** 21,364

250 Route 61 South, Schuylkill Haven, PA 17972 • 570-385-4733 • fax: 570-385-1318 • CustomerService@CardinalSystemsinc.com

### Bill of Materials

PART NO.	QUANTITY	DESCRIPTION
"A" FRAME	14	"A" FRAME ASSEMBLY
CS902SA	4	90 DEG CORNER ANGLE
CS902SB	4	6" RAD CORNER FILLER "BIG VEE"
5C42500XX09000	2	5' x 9' Radius C PANEL W/0 Z
5C42600XX09000	3	6' x 9' Radius C PANEL W/0 Z
5S42300XXX0	2	3' Straight PANEL W/0 Z
5S42800XXX2	6	8' Straight PANEL W/2 Z
5T42060237117	2	6" x 1'-1 7/8" x 237° ELL
5T42117237060	2	1'-1 7/8" x 6" x 237° ELL



**Date:** 5/10/2022

**Perimeter:** 96'-7 1/2"

**Drawn By:** JESSE H

**Area:** 587.3 SQ. FT.

**Scale:** 1/8" = 1'-0"

**Notes:** - - - -



cardinalpools.com

This information is the confidential property of Cardinal Systems, Inc. Disclosure or duplication without proper written approval is strictly prohibited. Acceptance and use of this drawing constitutes knowledge and acceptance by the user of the terms and conditions set forth in the notice and warning which accompanied this drawing is incorporated herein and made part hereof and is found on Cardinal Systems, Inc's website at www.CardinalSystemsInc.com

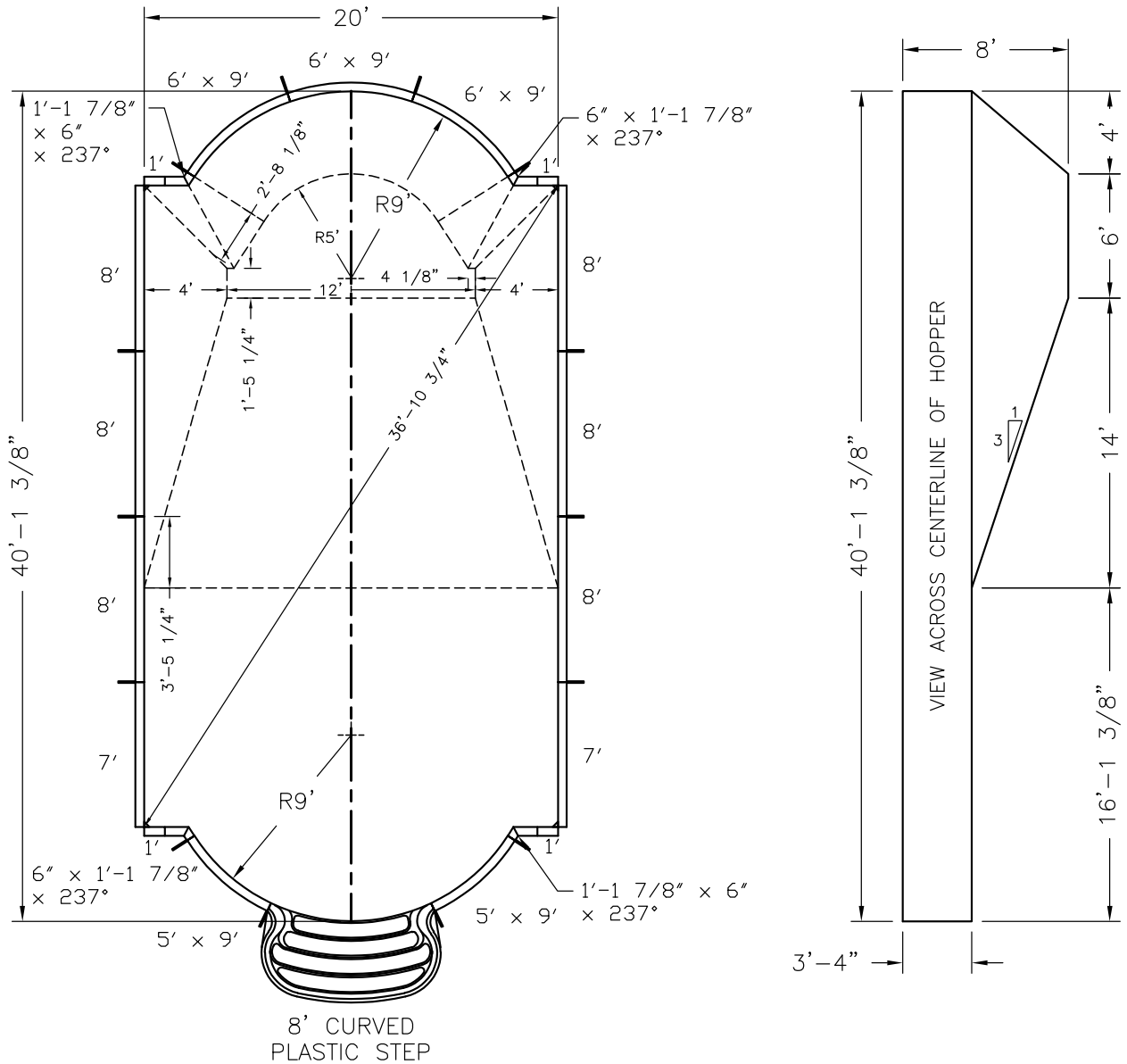


**Pool Size:** 20' X 40' **Approx Gal:** 26,238  
**Pool Shape:** DOUBLE ROMAN END  
**Pool Number:** 2040DRE – 6 (PLASTIC)

250 Route 61 South, Schuylkill Haven, PA 17972 • 570-385-4733 • fax: 570-385-1318 • CustomerService@CardinalSystemsinc.com

### Bill of Materials

PART NO.	QUANTITY	DESCRIPTION
"A" FRAME	14	"A" FRAME ASSEMBLY
CS902SA	4	90 DEG CORNER ANGLE
CS902SB	4	6" RAD CORNER FILLER "BIG VEE"
5C42500XX09000	2	5' x 9' Radius C PANEL W/O Z
5C42600XX09000	3	6' x 9' Radius C PANEL W/O Z
5S42100XXX0	4	1' Straight PANEL W/O Z
5S42700XXX2	2	7' Straight PANEL W/2 Z
5S42800XXX2	6	8' Straight PANEL W/2 Z
5T42060237117	2	6" x 1'-1 7/8" x 237° ELL
5T42117237060	2	1'-1 7/8" x 6" x 237° ELL



**Date:** 5/10/2022

**Perimeter:** 108'-7 1/2"

**Drawn By:** JESSE H

**Area:** 721.3 SQ. FT.

**Scale:** 1/8" = 1'-0"

**Notes:** -----



cardinalpools.com

This information is the confidential property of Cardinal Systems, Inc. Disclosure or duplication without proper written approval is strictly prohibited. Acceptance and use of this drawing constitutes knowledge and acceptance by the user of the terms and conditions set forth in the notice and warning which accompanied this drawing is incorporated herein and made part hereof and is found on Cardinal Systems, Inc's website at www.CardinalSystemsInc.com



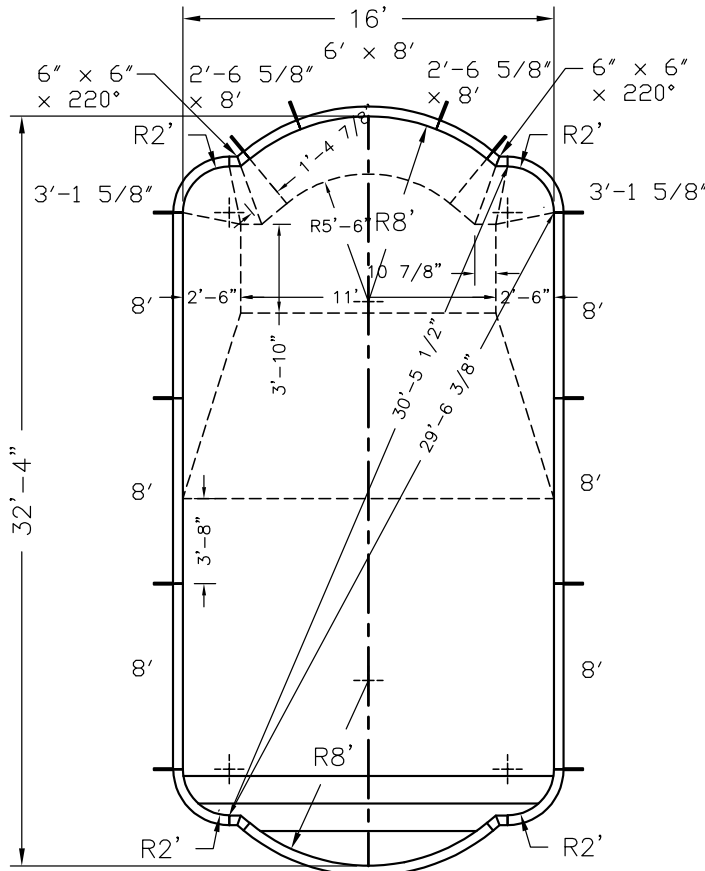


**Pool Size:** 16' X 32' **Approx Gal:** 15,211  
**Pool Shape:** DOUBLE ROMAN END  
**Pool Number:** 1632DRE - 2R (STEEL)

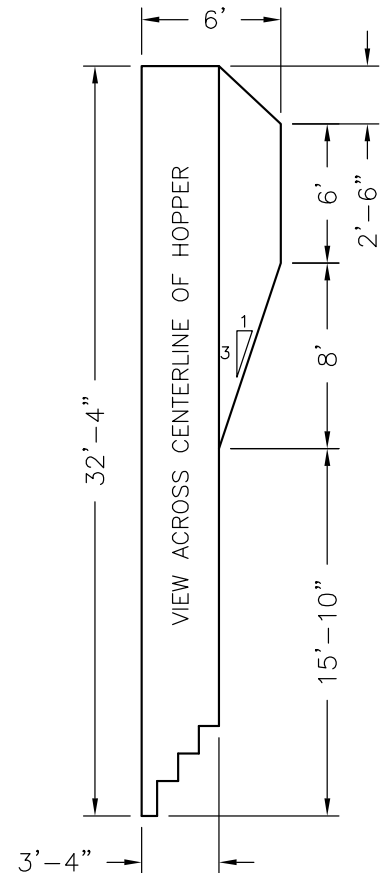
250 Route 61 South, Schuylkill Haven, PA 17972 • 570-385-4733 • fax: 570-385-1318 • CustomerService@CardinalSystemsinc.com

Bill of Materials

PART NO.	QUANTITY	DESCRIPTION
"A" FRAME	12	"A" FRAME ASSEMBLY
5C42315XX02000	2	2' RADIUS CORNER
S15E4TN34280RM0	1	16' STEEL ROMAN END STEP W/ LINER TRACK
5C42265XX08000	2	2'-6 5/8" x 8' Radius C PANEL W/O Z
5C42600XX08000	1	6' x 8' Radius C PANEL W/O Z
5S42800XXX2	6	8' Straight PANEL W/2 Z
5T42060220060	2	6" x 6" x 220° ELL



16' STEEL ROMAN END STEP  
W/LINER TRACK  
S15E4TN34280RM0



NOTE: THIS IS A NON DIVING POOL.

<b>Date:</b> 5/10/2022	<b>Perimeter:</b> 86'-9 1/4"
<b>Drawn By:</b> JESSE H	<b>Area:</b> 477.2 SQ. FT.
<b>Scale:</b> 1/8" = 1'-0"	<b>Notes:</b> - - - -



This information is the confidential property of Cardinal Systems, Inc. Disclosure or duplication without proper written approval is strictly prohibited. Acceptance and use of this drawing constitutes knowledge and acceptance by the user of the terms and conditions set forth in the notice and warning which accompanied this drawing is incorporated herein and made part hereof and is found on Cardinal Systems, Inc's website at www.CardinalSystemsInc.com

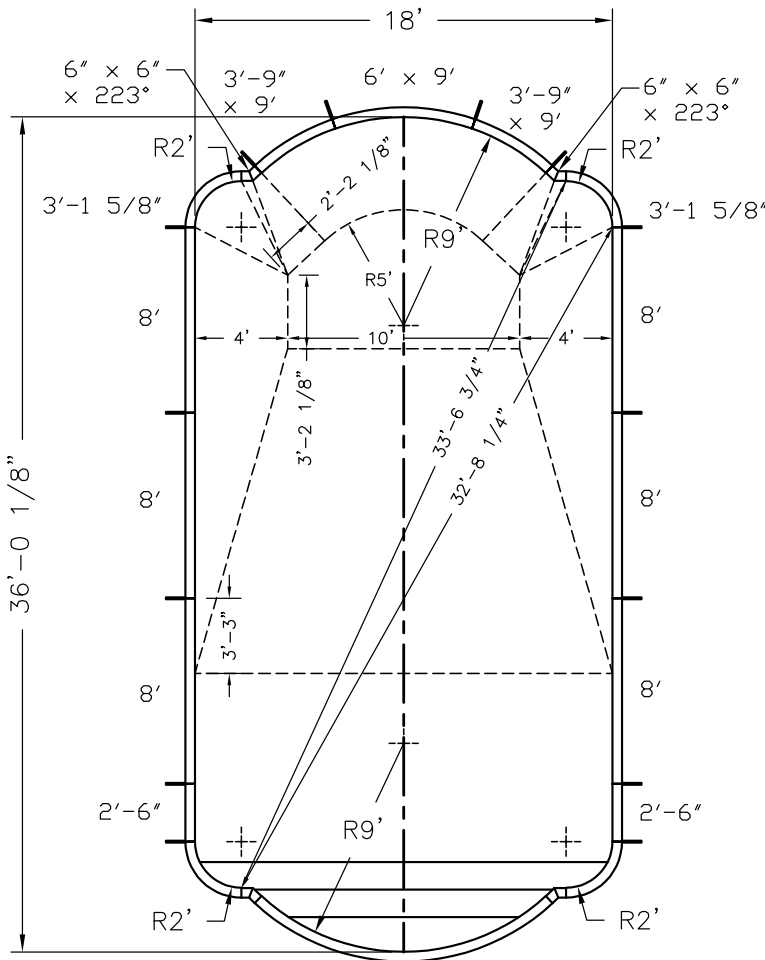


**Pool Size:** 18' X 36' **Approx Gal:** 21,640  
**Pool Shape:** DOUBLE ROMAN END  
**Pool Number:** 1836DRE - 2R (STEEL)

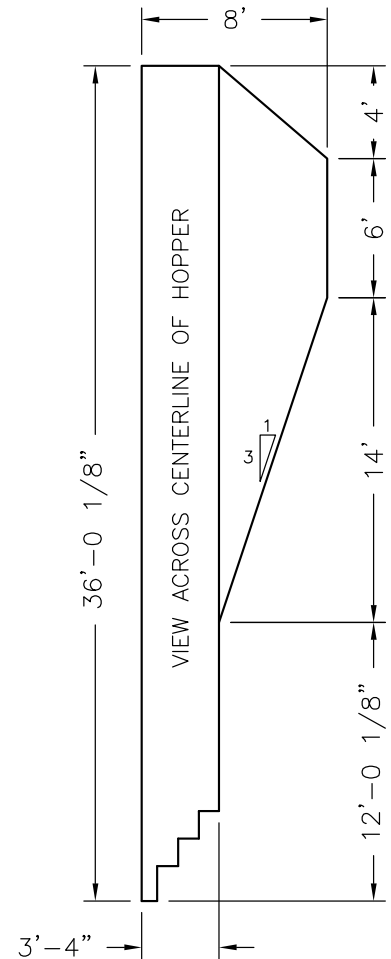
250 Route 61 South, Schuylkill Haven, PA 17972 • 570-385-4733 • fax: 570-385-1318 • CustomerService@CardinalSystemsinc.com

### Bill of Materials

PART NO.	QUANTITY	DESCRIPTION
"A" FRAME	14	"A" FRAME ASSEMBLY
5C42315XX02000	2	2' RADIUS CORNER
S1771TN34290RX0	1	18' STEEL ROMAN END STEP W/2'R CORNERS W/LINER TRACK
5C42390XX09000	2	3'-9" x 9' Radius C PANEL W/0 Z
5C42600XX09000	1	6' x 9' Radius C PANEL W/0 Z
5S42260XXX0	2	2'-6" Straight PANEL W/0 Z
5S42800XXX2	6	8' Straight PANEL W/2 Z
5T42060223060	2	6" x 6" x 223° ELL



18' STEEL ROMAN END STEP  
W/2'R CORNERS  
W/LINER TRACK  
S1771TN34290RX0



<b>Date:</b> 5/10/2022	<b>Perimeter:</b> 96'-6 3/4"	
<b>Drawn By:</b> JESSE H	<b>Area:</b> 594.9 SQ. FT.	
<b>Scale:</b> 1/8" = 1'-0"	<b>Notes:</b> -----	

This information is the confidential property of Cardinal Systems, Inc. Disclosure or duplication without proper written approval is strictly prohibited. Acceptance and use of this drawing constitutes knowledge and acceptance by the user of the terms and conditions set forth in the notice and warning which accompanied this drawing is incorporated herein and made part hereof and is found on Cardinal Systems, Inc's website at [www.CardinalSystemsInc.com](http://www.CardinalSystemsInc.com)

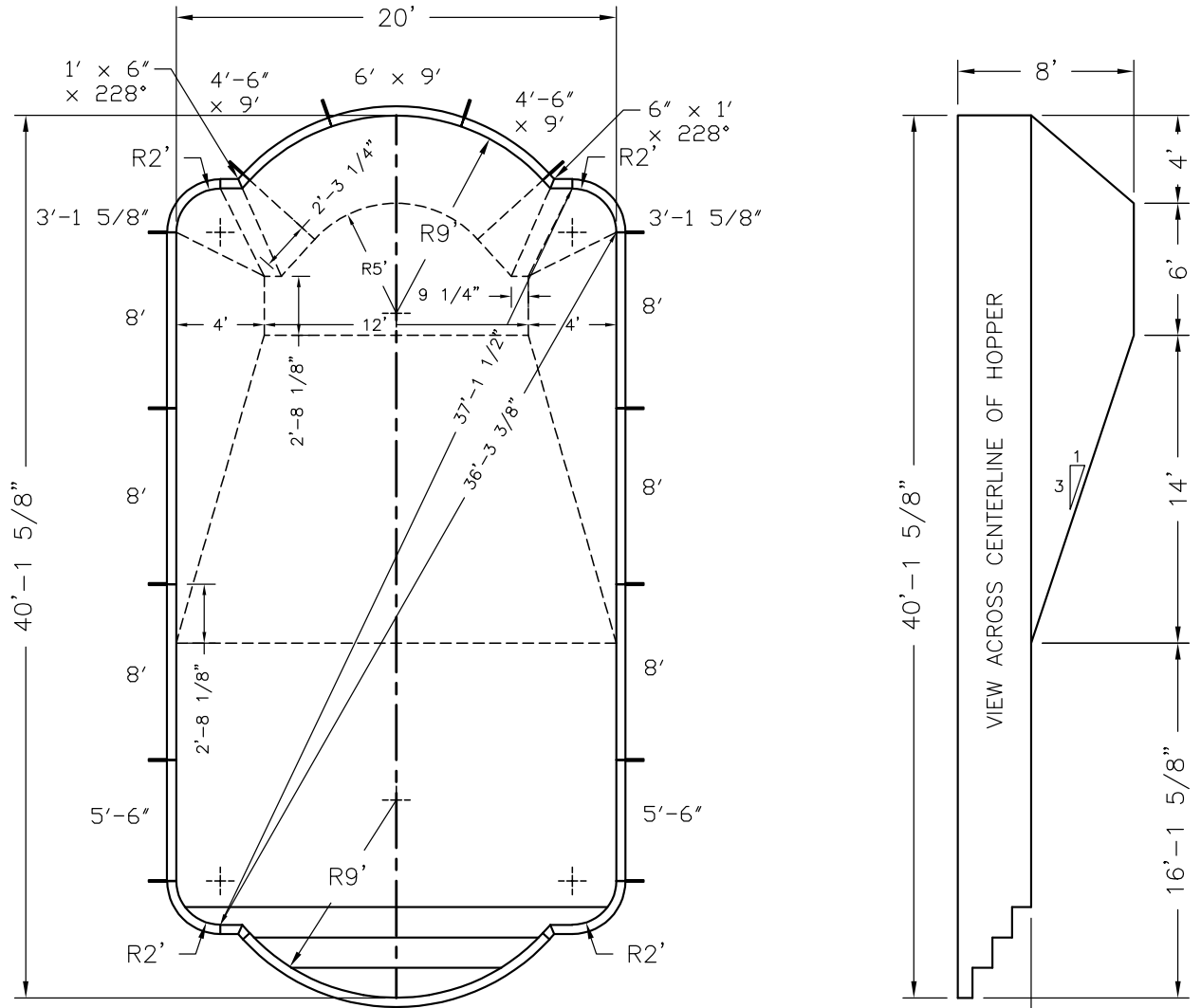


**Pool Size:** 20' X 40' **Approx Gal:** 26,591  
**Pool Shape:** DOUBLE ROMAN END  
**Pool Number:** 2040DRE - 2R (STEEL)

250 Route 61 South, Schuylkill Haven, PA 17972 • 570-385-4733 • fax: 570-385-1318 • CustomerService@CardinalSystemsinc.com

### Bill of Materials

PART NO.	QUANTITY	DESCRIPTION
"A" FRAME	14	"A" FRAME ASSEMBLY
5C42315XX02000	2	2' RADIUS CORNER
S1924TN34290DT0	1	20' STEEL ROMAN END STEP W/2'R CORNERS W/LINER TRACK
5C42460XX09000	2	4'-6" x 9' Radius C PANEL W/0 Z
5C42600XX09000	1	6' x 9' Radius C PANEL W/0 Z
5S42560XXX1	2	5'-6" Straight PANEL W/1 Z
5S42800XXX2	6	8' Straight PANEL W/2 Z
5T42060228100	1	6" x 1' x 228° ELL
5T42100228060	1	1' x 6" x 228° ELL



20' STEEL ROMAN END STEP  
W/2'R CORNERS  
W/LINER TRACK  
S1924TN34290DT0

VIEW ACROSS CENTERLINE OF HOPPER

**Date:** 5/10/2022

**Perimeter:** 107'-6 7/8"

**Drawn By:** JESSE H

**Area:** 731.0 SQ. FT.

**Scale:** 1/8" = 1'-0"

**Notes:** -----



cardinalpools.com

This information is the confidential property of Cardinal Systems, Inc. Disclosure or duplication without proper written approval is strictly prohibited. Acceptance and use of this drawing constitutes knowledge and acceptance by the user of the terms and conditions set forth in the notice and warning which accompanied this drawing is incorporated herein and made part hereof and is found on Cardinal Systems, Inc's website at www.CardinalSystemsInc.com

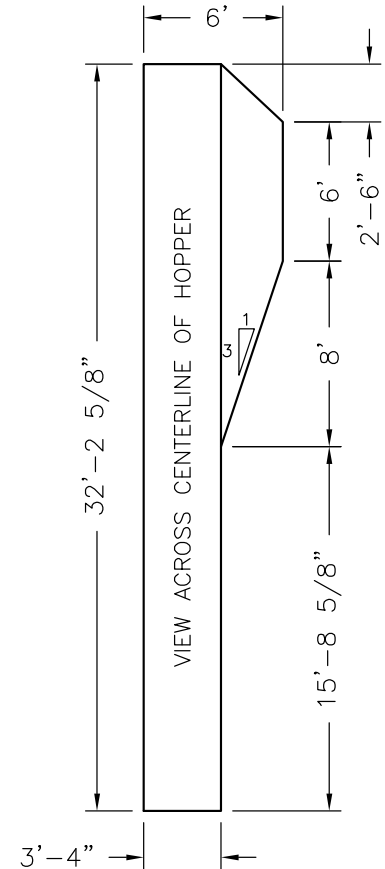
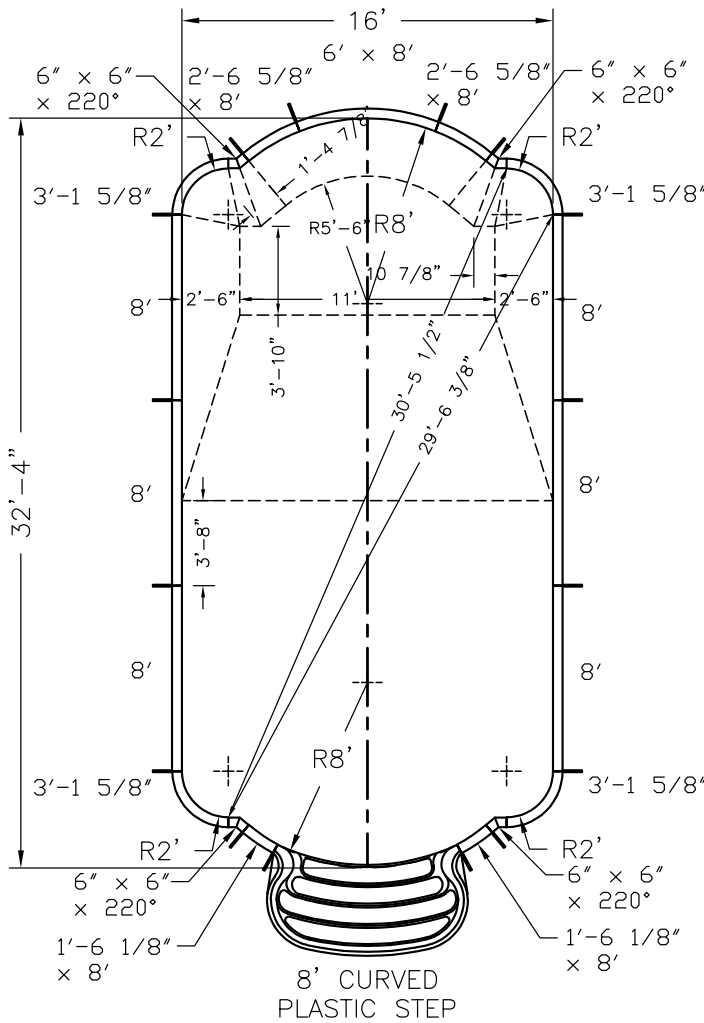


**Pool Size:** 16' X 32' **Approx Gal:** 15,192  
**Pool Shape:** DOUBLE ROMAN END  
**Pool Number:** 1632DRE – 2R (PLASTIC)

250 Route 61 South, Schuylkill Haven, PA 17972 • 570-385-4733 • fax: 570-385-1318 • CustomerService@CardinalSystemsinc.com

Bill of Materials

PART NO.	QUANTITY	DESCRIPTION
"A" FRAME	16	"A" FRAME ASSEMBLY
5C42315XX02000	4	2' RADIUS CORNER
5C42161XX08000	2	1'-6 1/8" x 8' Radius C PANEL W/O Z
5C42265XX08000	2	2'-6 5/8" x 8' Radius C PANEL W/O Z
5C42600XX08000	1	6' x 8' Radius C PANEL W/O Z
5S42800XXX2	6	8' Straight PANEL W/2 Z
5T42060220060	4	6" x 6" x 220° ELL



NOTE: THIS IS A NON DIVING POOL.

Date: 5/10/2022

Perimeter: 86'-8 1/4"

Drawn By: JESSE H

Area: 476.6 SQ. FT.

Scale: 1/8" = 1'-0"

Notes: -----



cardinalpools.com

This information is the confidential property of Cardinal Systems, Inc. Disclosure or duplication without proper written approval is strictly prohibited. Acceptance and use of this drawing constitutes knowledge and acceptance by the user of the terms and conditions set forth in the notice and warning which accompanied this drawing is incorporated herein and made part hereof and is found on Cardinal Systems, Inc's website at www.CardinalSystemsInc.com

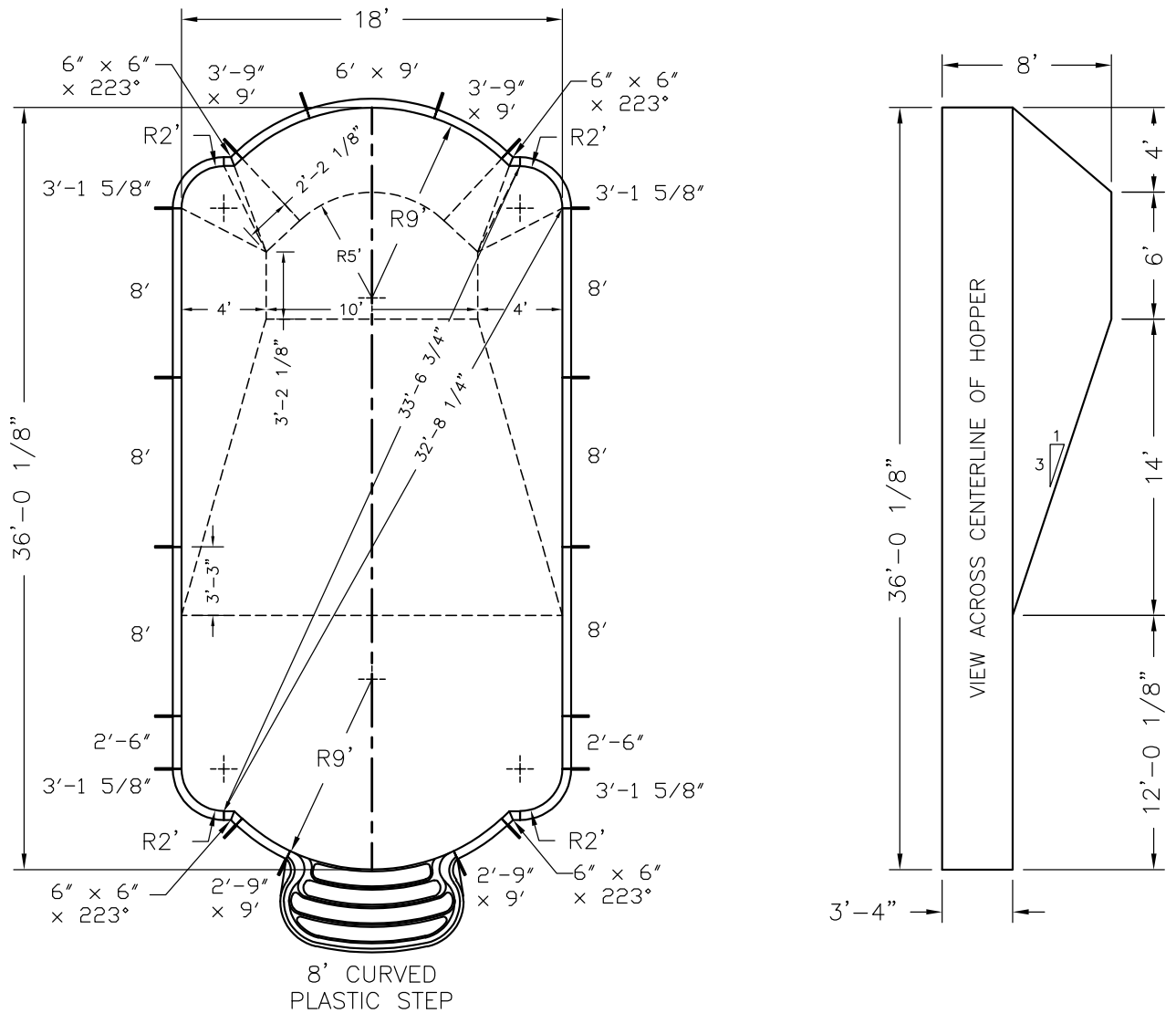



**Pool Size:** 18' X 36' **Approx Gal:** 21,640  
**Pool Shape:** DOUBLE ROMAN END  
**Pool Number:** 1836DRE – 2R (PLASTIC)

250 Route 61 South, Schuylkill Haven, PA 17972 • 570-385-4733 • fax: 570-385-1318 • CustomerService@CardinalSystemsinc.com

Bill of Materials

PART NO.	QUANTITY	DESCRIPTION
"A" FRAME	18	"A" FRAME ASSEMBLY
5C42315XX02000	4	2' RADIUS CORNER
5C42290XX09000	2	2'-9" x 9' Radius C PANEL W/O Z
5C42390XX09000	2	3'-9" x 9' Radius C PANEL W/O Z
5C42600XX09000	1	6' x 9' Radius C PANEL W/O Z
5S42260XXX0	2	2'-6" Straight PANEL W/O Z
5S42800XXX2	6	8' Straight PANEL W/2 Z
5T42060223060	4	6" x 6" x 223° ELL



<b>Date:</b> 5/10/2022	<b>Perimeter:</b> 96'-6 3/4"	 cardinalpools.com
<b>Drawn By:</b> JESSE H	<b>Area:</b> 594.9 SQ. FT.	
<b>Scale:</b> 1/8" = 1'-0"	<b>Notes:</b> - - - -	

This information is the confidential property of Cardinal Systems, Inc. Disclosure or duplication without proper written approval is strictly prohibited. Acceptance and use of this drawing constitutes knowledge and acceptance by the user of the terms and conditions set forth in the notice and warning which accompanied this drawing is incorporated herein and made part hereof and is found on Cardinal Systems, Inc's website at www.CardinalSystemsInc.com

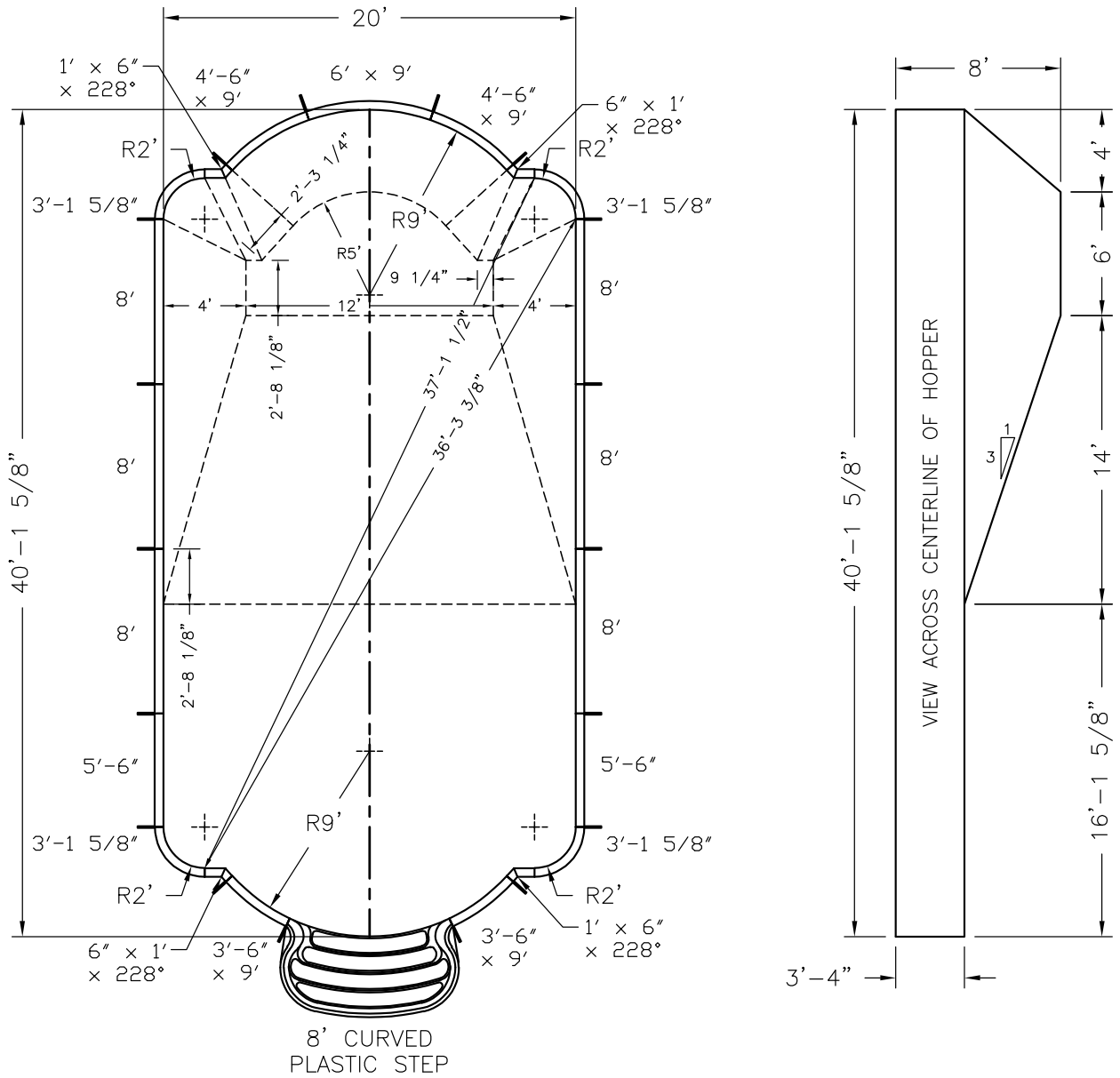


**Pool Size:** 20' X 40' **Approx Gal:** 26,591  
**Pool Shape:** DOUBLE ROMAN END  
**Pool Number:** 2040DRE – 2R (PLASTIC)

250 Route 61 South, Schuylkill Haven, PA 17972 • 570-385-4733 • fax: 570-385-1318 • CustomerService@CardinalSystemsinc.com

### Bill of Materials

PART NO.	QUANTITY	DESCRIPTION
"A" FRAME	18	"A" FRAME ASSEMBLY
5C42315XX02000	4	2' RADIUS CORNER
5C42360XX09000	2	3'-6" x 9' Radius C PANEL W/O Z
5C42460XX09000	2	4'-6" x 9' Radius C PANEL W/O Z
5C42600XX09000	1	6' x 9' Radius C PANEL W/O Z
5S42560XXX1	2	5'-6" Straight PANEL W/1 Z
5S42800XXX2	6	8' Straight PANEL W/2 Z
5T42060228100	2	6" x 1' x 228° ELL
5T42100228060	2	1' x 6" x 228° ELL



Date: 5/10/2022

Perimeter: 107'-6 7/8"

Drawn By: JESSE H

Area: 731.0 SQ. FT.

Scale: 1/8" = 1'-0"

Notes: -----



cardinalpools.com

This information is the confidential property of Cardinal Systems, Inc. Disclosure or duplication without proper written approval is strictly prohibited. Acceptance and use of this drawing constitutes knowledge and acceptance by the user of the terms and conditions set forth in the notice and warning which accompanied this drawing is incorporated herein and made part hereof and is found on Cardinal Systems, Inc's website at www.CardinalSystemsInc.com

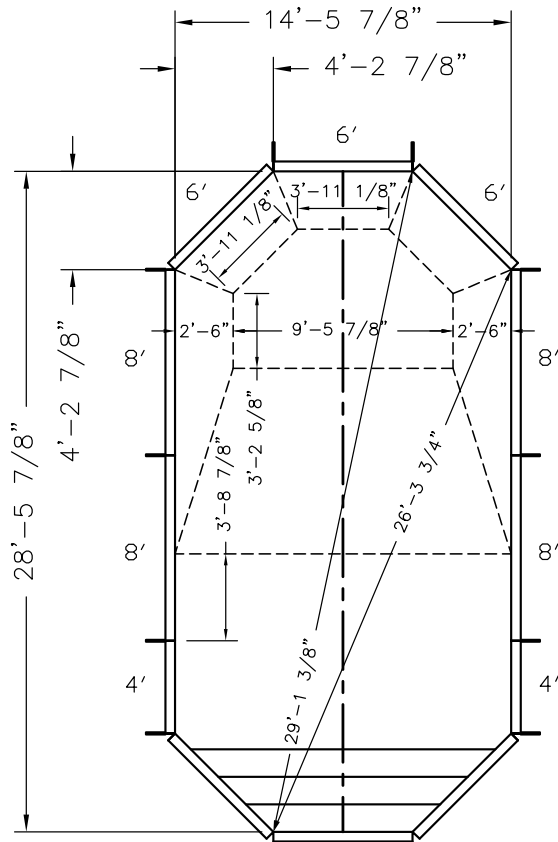


**Pool Size:** 14'-6" X 28'-6"  
**Pool Shape:** GRECIAN **Approx Gal:** 15,629  
**Pool Number:** 1428GREC (STEEL)

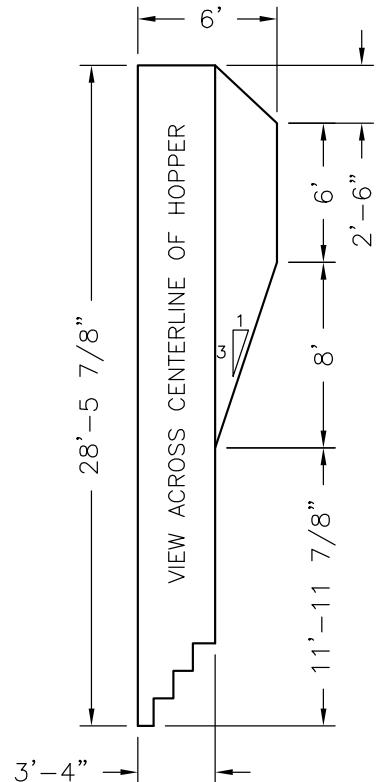
250 Route 61 South, Schuylkill Haven, PA 17972 • 570-385-4733 • fax: 570-385-1318 • CustomerService@CardinalSystemsinc.com

## Bill of Materials

PART NO.	QUANTITY	DESCRIPTION
"A" FRAME	10	"A" FRAME ASSEMBLY
CS901GC	6	GRECIAN CORNER ANGLE
L3GX3146XXXXXXC	1	14'-6" STEEL GRECIAN STEP W/LINER TRACK
5S42400XXX0	2	4' Straight PANEL W/0 Z
5S42600XXX1	3	6' Straight PANEL W/1 Z
5S42800XXX2	4	8' Straight PANEL W/2 Z



14'-6" STEEL  
GRECIAN STEP  
W/LINER TRACK  
L3GX3146XXXXXXC



NOTE: THIS IS A NON DIVING POOL.

<b>Date:</b> 5/10/2022	<b>Perimeter:</b> 76'-0"	
<b>Drawn By:</b> AUSTIN K	<b>Area:</b> 376.7 SQ. FT.	
<b>Scale:</b> 1/8" = 1'-0"	<b>Notes:</b> -----	

This information is the confidential property of Cardinal Systems, Inc. Disclosure or duplication without proper written approval is strictly prohibited. Acceptance and use of this drawing constitutes knowledge and acceptance by the user of the terms and conditions set forth in the notice and warning which accompanied this drawing is incorporated herein and made part hereof and is found on Cardinal Systems, Inc's website at www.CardinalSystemsInc.com

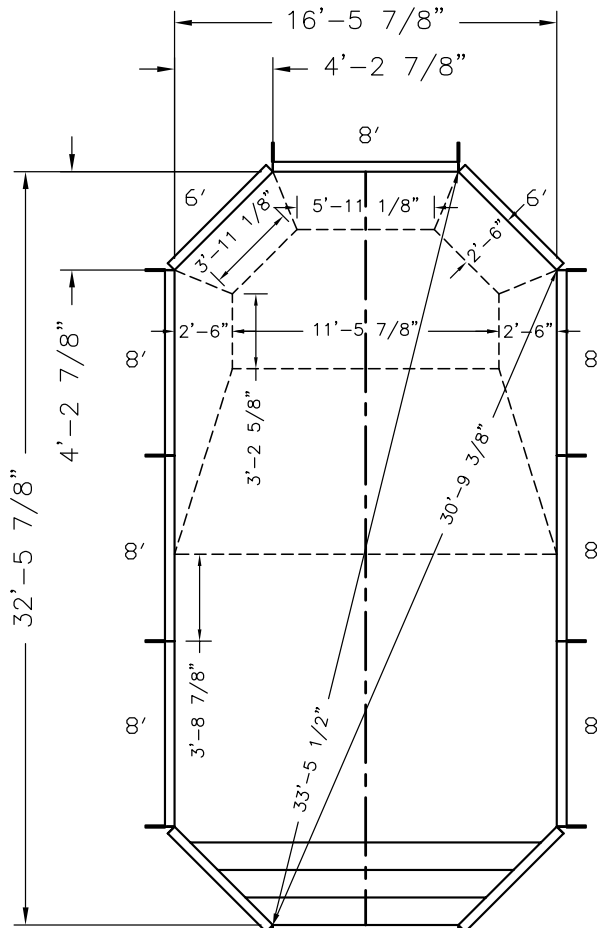


**Pool Size:** 16'-6" X 32'-6"  
**Pool Shape:** GRECIAN **Approx Gal:** 15,925  
**Pool Number:** 1632GREC (STEEL)

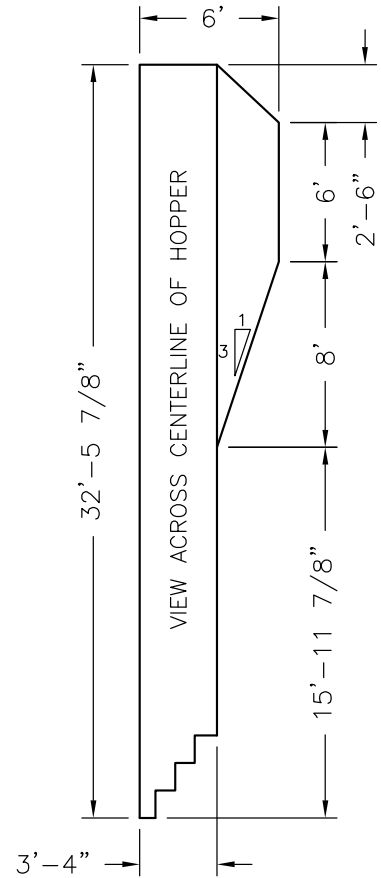
250 Route 61 South, Schuylkill Haven, PA 17972 • 570-385-4733 • fax: 570-385-1318 • CustomerService@CardinalSystemsinc.com

### Bill of Materials


PART NO.	QUANTITY	DESCRIPTION
"A" FRAME	10	"A" FRAME ASSEMBLY
CS901GC	6	GRECIAN CORNER ANGLE
L3GX3166XXXXXC	1	16'-6" STEEL GRECIAN STEP W/LINER TRACK
5S42600XXX1	2	6' Straight PANEL W/1 Z
5S42800XXX2	7	8' Straight PANEL W/2 Z



16'-6" STEEL  
 GRECIAN STEP  
 W/LINER TRACK  
 L3GX3166XXXXXC



NOTE: THIS IS A NON DIVING POOL.

<b>Date:</b> 5/10/2022	<b>Perimeter:</b> 88'-0"	 cardinalpools.com
<b>Drawn By:</b> AUSTIN K	<b>Area:</b> 499.6 SQ. FT.	
<b>Scale:</b> 1/8" = 1'-0"	<b>Notes:</b> -----	

This information is the confidential property of Cardinal Systems, Inc. Disclosure or duplication without proper written approval is strictly prohibited. Acceptance and use of this drawing constitutes knowledge and acceptance by the user of the terms and conditions set forth in the notice and warning which accompanied this drawing is incorporated herein and made part hereof and is found on Cardinal Systems, Inc's website at www.CardinalSystemsInc.com



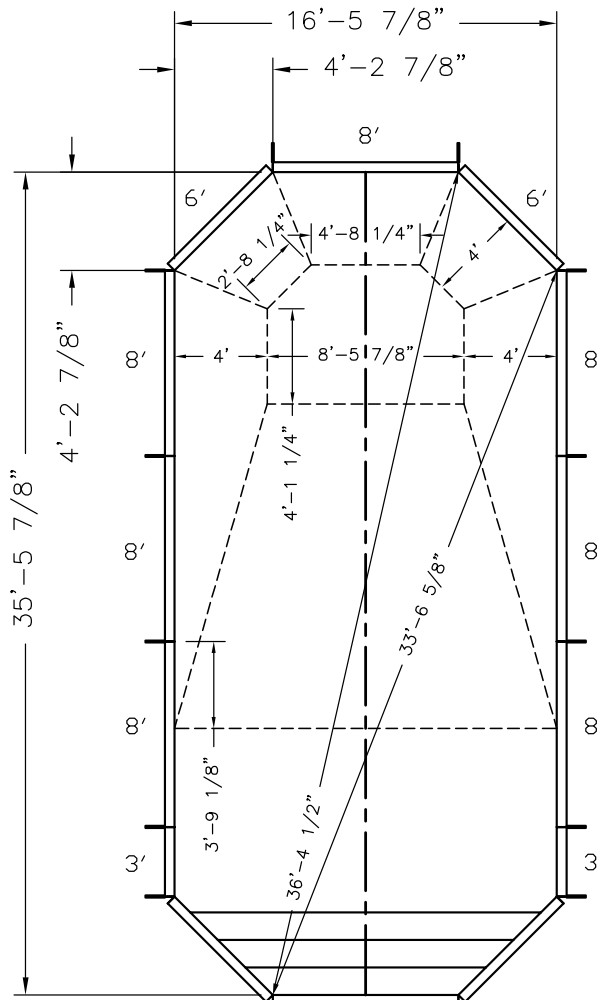


**Pool Size:** 16'-6" X 35'-6"  
**Pool Shape:** GRECIAN **Approx Gal:** 19,970  
**Pool Number:** 1635GREC (STEEL)

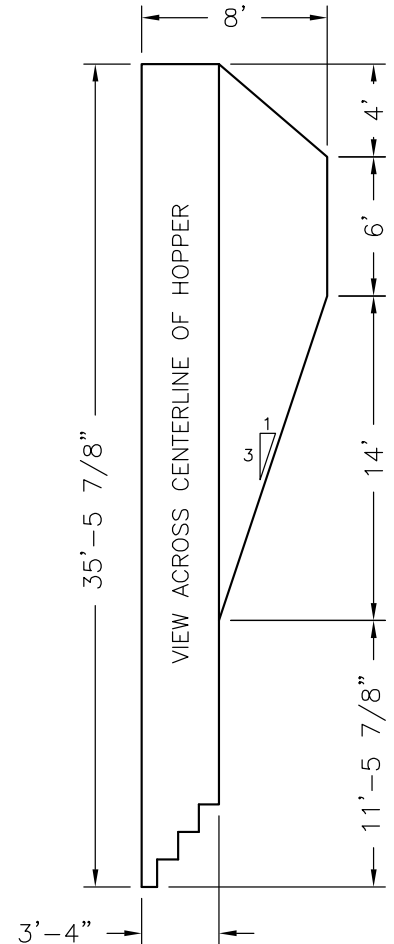
250 Route 61 South, Schuylkill Haven, PA 17972 • 570-385-4733 • fax: 570-385-1318 • CustomerService@CardinalSystemsinc.com

Bill of Materials

PART NO.	QUANTITY	DESCRIPTION
"A" FRAME	12	"A" FRAME ASSEMBLY
CS901GC	6	GRECIAN CORNER ANGLE
L3GX3166XXXXXXC	1	16'-6" STEEL GRECIAN STEP W/LINER TRACK
5S42300XXX0	2	3' Straight PANEL W/0 Z
5S42600XXX1	2	6' Straight PANEL W/1 Z
5S42800XXX2	7	8' Straight PANEL W/2 Z



16'-6" STEEL  
GRECIAN STEP  
W/LINER TRACK  
L3GX3166XXXXXXC



NOTE: THIS IS A NON DIVING POOL.

**Date:** 5/10/2022

**Perimeter:** 94'-0"

**Drawn By:** AUSTIN K

**Area:** 549.0 SQ. FT.

**Scale:** 1/8" = 1'-0"

**Notes:** - - - -



cardinalpools.com

This information is the confidential property of Cardinal Systems, Inc. Disclosure or duplication without proper written approval is strictly prohibited. Acceptance and use of this drawing constitutes knowledge and acceptance by the user of the terms and conditions set forth in the notice and warning which accompanied this drawing is incorporated herein and made part hereof and is found on Cardinal Systems, Inc's website at www.CardinalSystemsInc.com



**Pool Size:** 17' X 31'

**Pool Shape:** GRECIAN

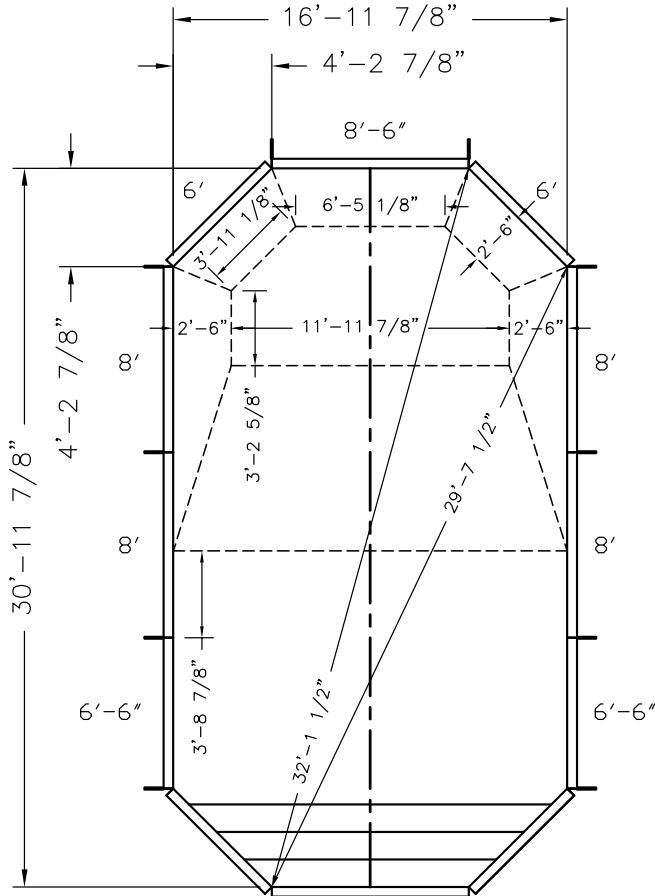
**Approx Gal:** 15,629

**Pool Number:** 1731GREC (STEEL)

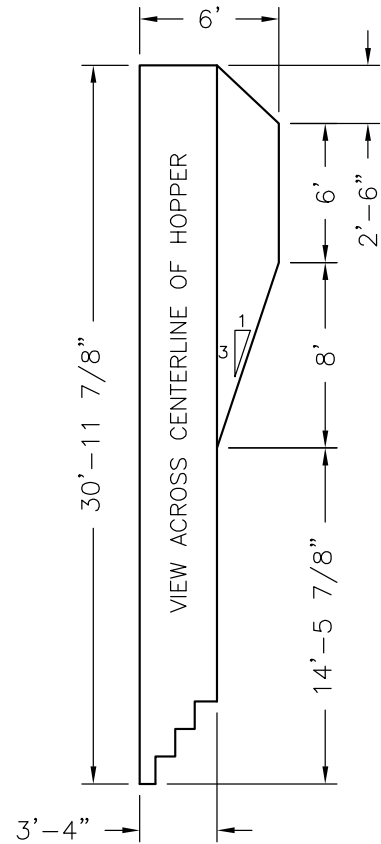
250 Route 61 South, Schuylkill Haven, PA 17972 • 570-385-4733 • fax: 570-385-1318 • CustomerService@CardinalSystemsinc.com

Bill of Materials

PART NO.	QUANTITY	DESCRIPTION
"A" FRAME	10	"A" FRAME ASSEMBLY
CS901GC	6	GRECIAN CORNER ANGLE
S1574EN34200XX0	1	17' STEEL GRECIAN STEP W/LINER TRACK
5S42600XXX1	2	6' Straight PANEL W/1 Z
5S42660XXX2	2	6'-6" Straight PANEL W/2 Z
5S42800XXX2	4	8' Straight PANEL W/2 Z
5S42860XXX2	1	8'-6" Straight PANEL W/2 Z



17' STEEL  
GRECIAN STEP  
W/LINER TRACK  
S1574EN34200XX0



NOTE: THIS IS A NON DIVING POOL.

**Date:** 5/10/2022

**Perimeter:** 86'-0"

**Drawn By:** AUSTIN K

**Area:** 490.3 SQ. FT.

**Scale:** 1/8" = 1'-0"

**Notes:** -----



cardinalpools.com

This information is the confidential property of Cardinal Systems, Inc. Disclosure or duplication without proper written approval is strictly prohibited. Acceptance and use of this drawing constitutes knowledge and acceptance by the user of the terms and conditions set forth in the notice and warning which accompanied this drawing is incorporated herein and made part hereof and is found on Cardinal Systems, Inc's website at www.CardinalSystemsInc.com



**Pool Size:** 17' X 34'

**Pool Shape:** GRECIAN

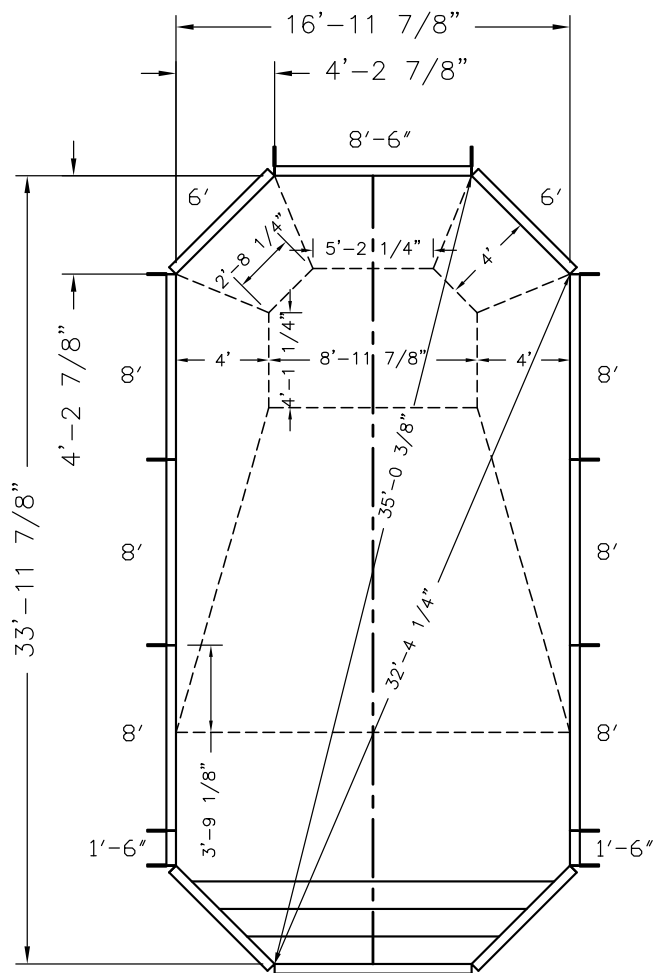
**Approx Gal:** 19,690

**Pool Number:** 1734GREC (STEEL)

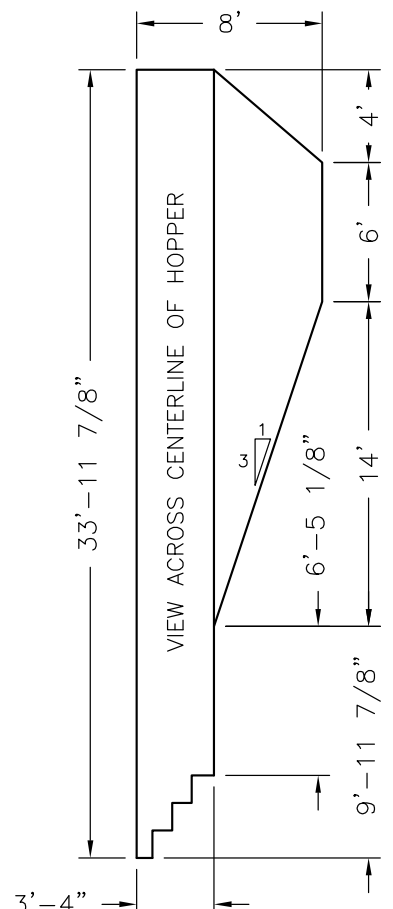
250 Route 61 South, Schuylkill Haven, PA 17972 • 570-385-4733 • fax: 570-385-1318 • CustomerService@CardinalSystemsinc.com

Bill of Materials

PART NO.	QUANTITY	DESCRIPTION
"A" FRAME	12	"A" FRAME ASSEMBLY
CS901GC	6	GRECIAN CORNER ANGLE
S1574EN34200XX0	1	17' STEEL GRECIAN STEP W/LINER TRACK
5S42160XXX0	2	1'-6" Straight PANEL W/0 Z
5S42600XXX1	2	6' Straight PANEL W/1 Z
5S42800XXX2	6	8' Straight PANEL W/2 Z
5S42860XXX2	1	8'-6" Straight PANEL W/2 Z



17' STEEL  
GRECIAN STEP  
W/LINER TRACK  
S1574EN34200XX0



<b>Date:</b> 5/10/2022	<b>Perimeter:</b> 92'-0"	 cardinalpools.com
<b>Drawn By:</b> AUSTIN K	<b>Area:</b> 541.3 SQ. FT.	
<b>Scale:</b> 1/8" = 1'-0"	<b>Notes:</b> - - - -	

This information is the confidential property of Cardinal Systems, Inc. Disclosure or duplication without proper written approval is strictly prohibited. Acceptance and use of this drawing constitutes knowledge and acceptance by the user of the terms and conditions set forth in the notice and warning which accompanied this drawing is incorporated herein and made part hereof and is found on Cardinal Systems, Inc's website at www.CardinalSystemsInc.com



**Pool Size:** 18'-6" X 36'

**Pool Shape:** GRECIAN

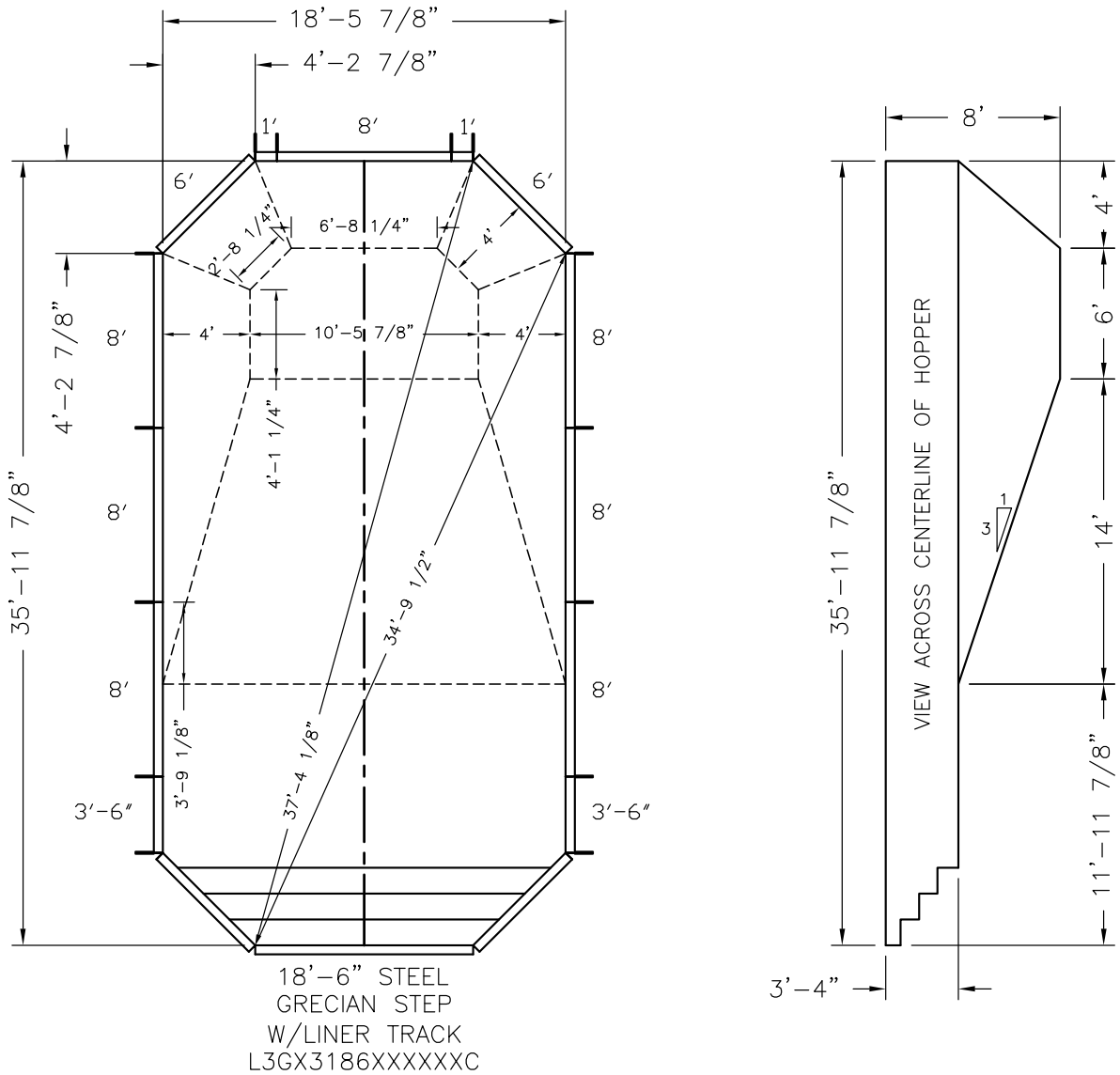
**Approx Gal:** 22,888

**Pool Number:** 1836GREC (STEEL)

250 Route 61 South, Schuylkill Haven, PA 17972 • 570-385-4733 • fax: 570-385-1318 • CustomerService@CardinalSystemsinc.com

Bill of Materials

PART NO.	QUANTITY	DESCRIPTION
"A" FRAME	14	"A" FRAME ASSEMBLY
CS901GC	6	GRECIAN CORNER ANGLE
L3GX3186XXXXXC	1	18'-6" STEEL GRECIAN STEP W/LINER TRACK
5S42100XXX0	2	1' Straight PANEL W/0 Z
5S42360XXX0	2	3'-6" Straight PANEL W/0 Z
5S42600XXX1	2	6' Straight PANEL W/1 Z
5S42800XXX2	7	8' Straight PANEL W/2 Z



**Date:** 5/10/2022

**Perimeter:** 99'-0"

**Drawn By:** AUSTIN K

**Area:** 629.2 SQ. FT.

**Scale:** 1/8" = 1'-0"

**Notes:** -----



cardinalpools.com

This information is the confidential property of Cardinal Systems, Inc. Disclosure or duplication without proper written approval is strictly prohibited. Acceptance and use of this drawing constitutes knowledge and acceptance by the user of the terms and conditions set forth in the notice and warning which accompanied this drawing is incorporated herein and made part hereof and is found on Cardinal Systems, Inc's website at www.CardinalSystemsInc.com



**Pool Size:** 18'-6" X 37'

**Pool Shape:** GRECIAN

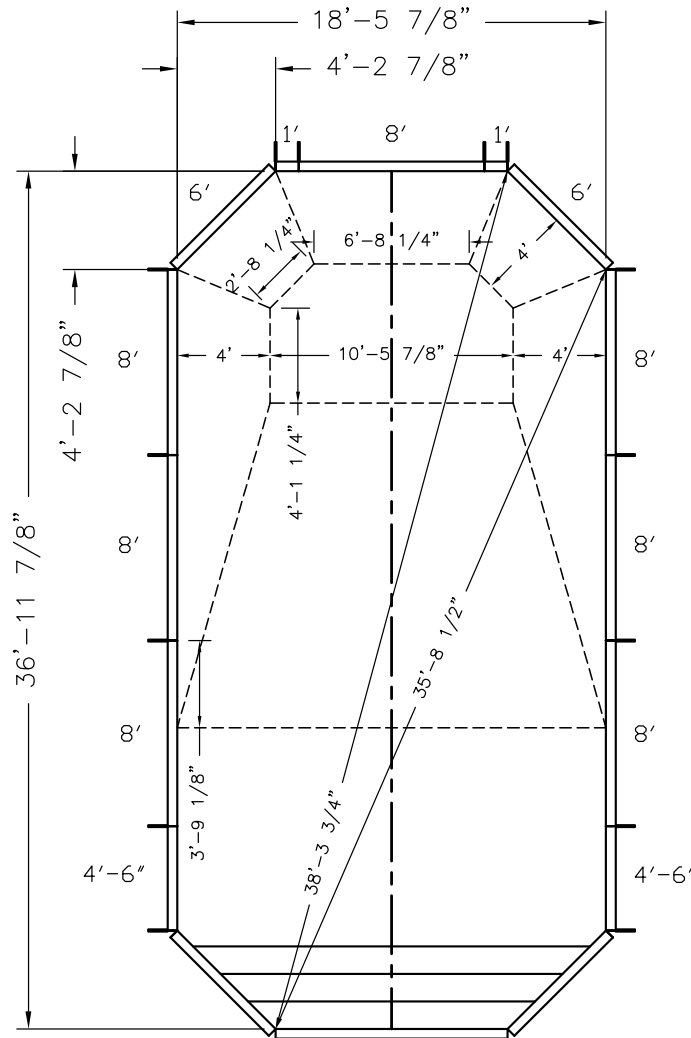
**Approx Gal:** 23,561

**Pool Number:** 1837GREC (STEEL)

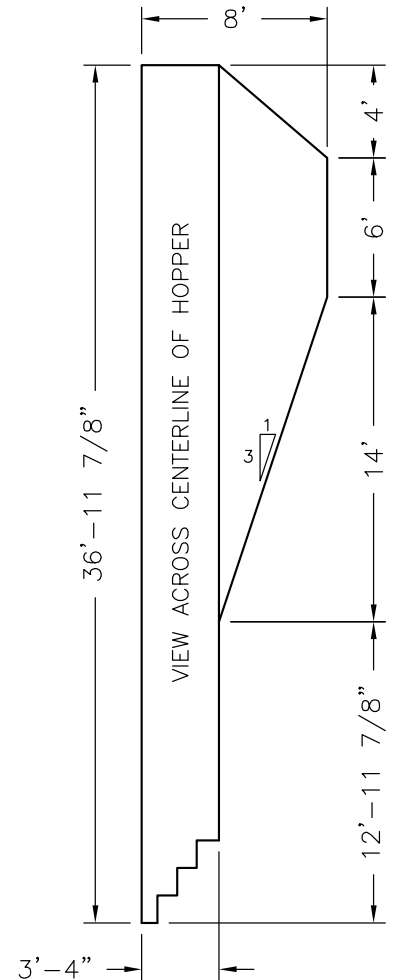
250 Route 61 South, Schuylkill Haven, PA 17972 • 570-385-4733 • fax: 570-385-1318 • CustomerService@CardinalSystemsinc.com

Bill of Materials

PART NO.	QUANTITY	DESCRIPTION
"A" FRAME	14	"A" FRAME ASSEMBLY
CS901GC	6	GRECIAN CORNER ANGLE
L3GX3186XXXXXXC	1	18'-6" STEEL GRECIAN STEP W/LINER TRACK
5S42100XXX0	2	1' Straight PANEL W/0 Z
5S42460XXX0	2	4'-6" Straight PANEL W/0 Z
5S42600XXX1	2	6' Straight PANEL W/1 Z
5S42800XXX2	7	8' Straight PANEL W/2 Z



18'-6" STEEL  
GRECIAN STEP  
W/LINER TRACK  
L3GX3186XXXXXXC



VIEW ACROSS CENTERLINE OF HOPPER

**Date:** 5/10/2022

**Perimeter:** 101'-0"

**Drawn By:** AUSTIN K

**Area:** 647.7 SQ. FT.

**Scale:** 1/8" = 1'-0"

**Notes:** - - - -



cardinalpools.com

This information is the confidential property of Cardinal Systems, Inc. Disclosure or duplication without proper written approval is strictly prohibited. Acceptance and use of this drawing constitutes knowledge and acceptance by the user of the terms and conditions set forth in the notice and warning which accompanied this drawing is incorporated herein and made part hereof and is found on Cardinal Systems, Inc's website at www.CardinalSystemsInc.com



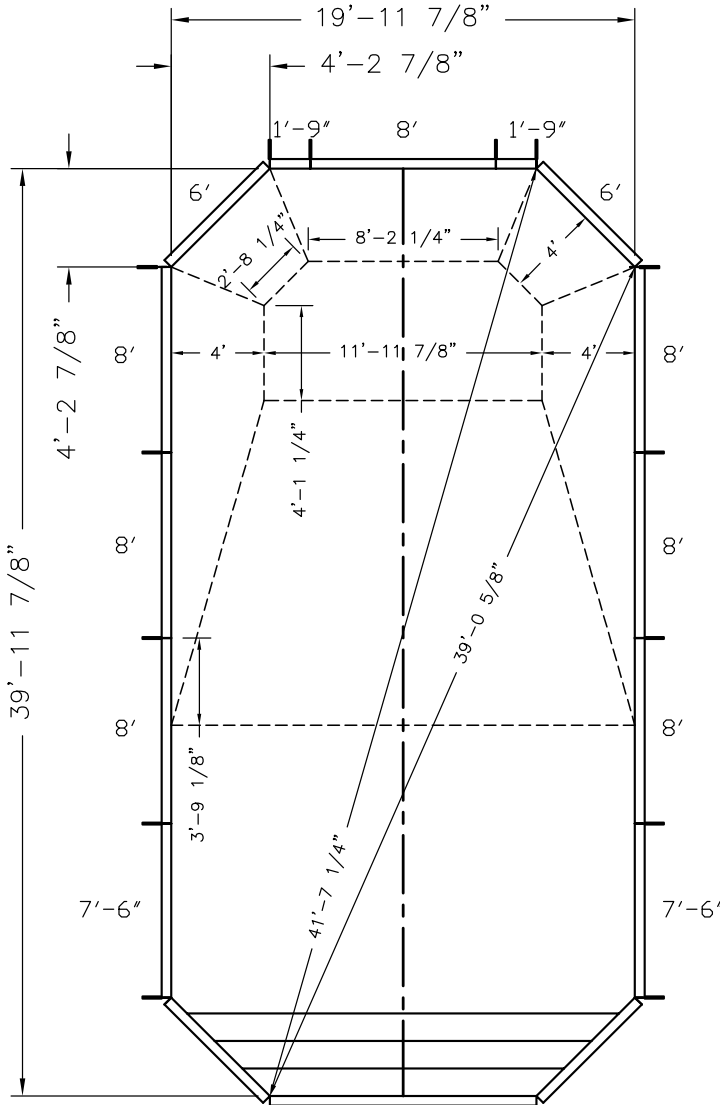
**Pool Size:** 20' X 40'  
**Pool Shape:** GRECIAN  
**Pool Number:** 2040GREC (STEEL)

**Approx Gal:** 27,762

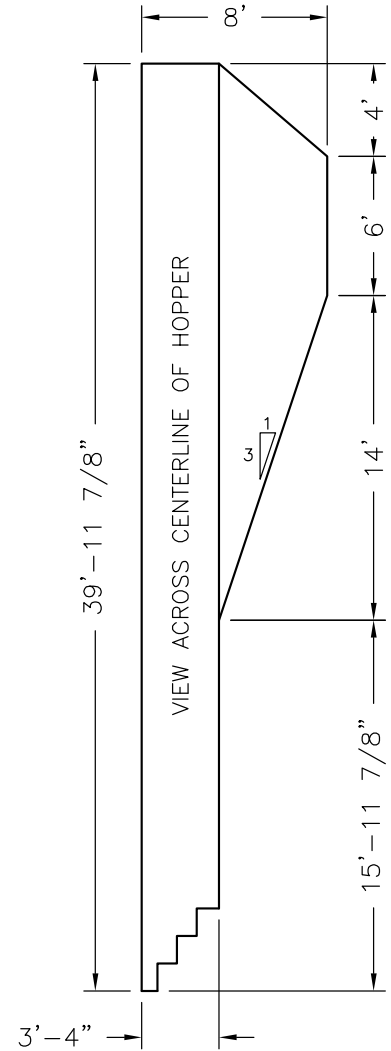
250 Route 61 South, Schuylkill Haven, PA 17972 • 570-385-4733 • fax: 570-385-1318 • CustomerService@CardinalSystemsinc.com

Bill of Materials

PART NO.	QUANTITY	DESCRIPTION
"A" FRAME	14	"A" FRAME ASSEMBLY
CS901GC	6	GRECIAN CORNER ANGLE
S1874EN34200XX0	1	20' STEEL GRECIAN STEP W/LINER TRACK
5S42190XXX0	1	1'-9" Straight PANEL W/0 Z
5S42600XXX1	2	6" Straight PANEL W/1 Z
5S42760XXX2	2	7'-6" Straight PANEL W/2 Z
5S42800XXX2	7	8" Straight PANEL W/2 Z



20' STEEL  
GRECIAN STEP  
W/LINER TRACK  
S1874EN34200XX0



**Date:** 5/10/2022

**Perimeter:** 110'-0"

**Drawn By:** AUSTIN K

**Area:** 763.2 SQ. FT.

**Scale:** 1/8" = 1'-0"

**Notes:** -----



cardinalpools.com

This information is the confidential property of Cardinal Systems, Inc. Disclosure or duplication without proper written approval is strictly prohibited. Acceptance and use of this drawing constitutes knowledge and acceptance by the user of the terms and conditions set forth in the notice and warning which accompanied this drawing is incorporated herein and made part hereof and is found on Cardinal Systems, Inc's website at www.CardinalSystemsInc.com

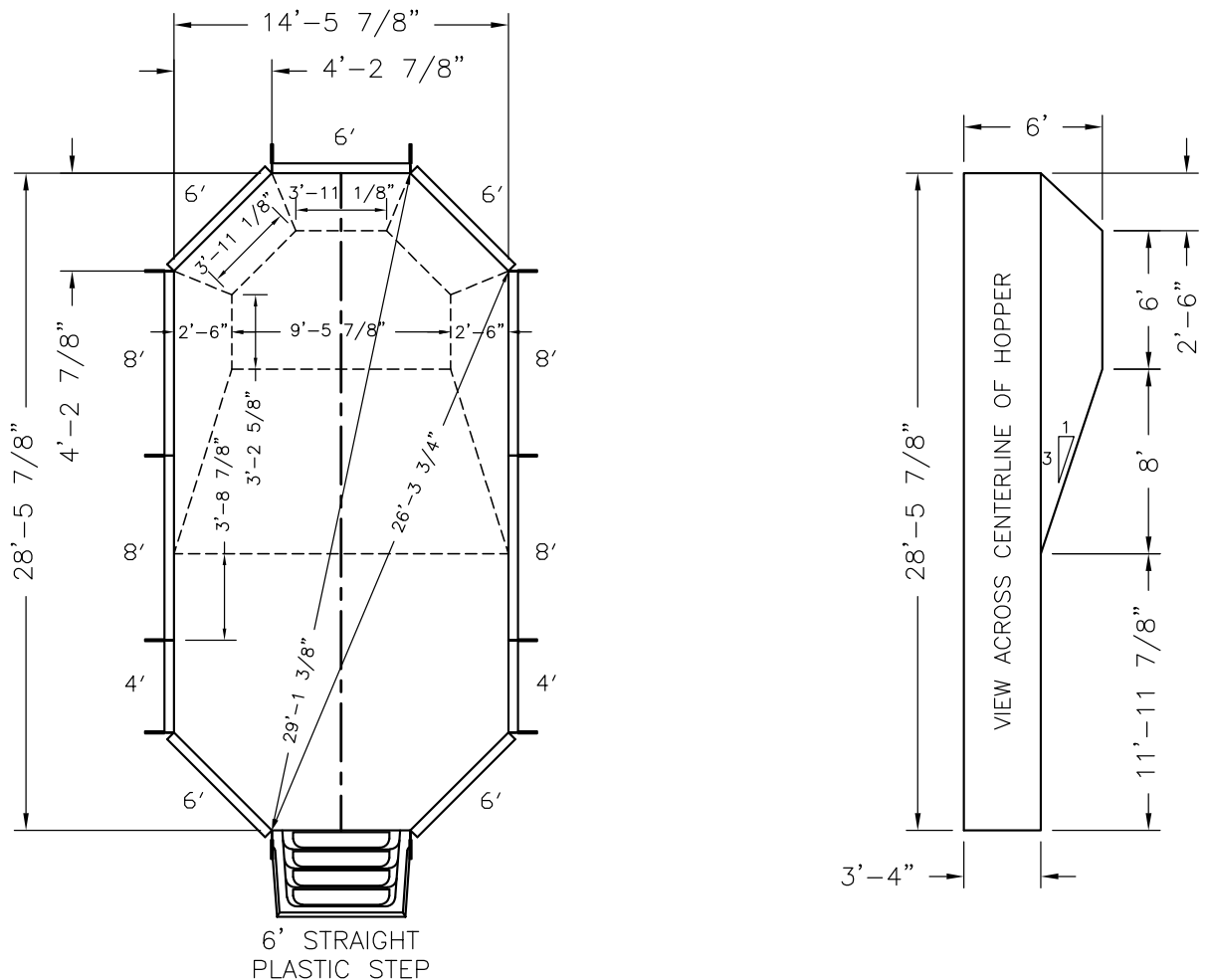


**Pool Size:** 14'-6" X 28'-6"  
**Pool Shape:** GRECIAN **Approx Gal:** 12,008  
**Pool Number:** 1428GREC (PLASTIC)


250 Route 61 South, Schuylkill Haven, PA 17972 • 570-385-4733 • fax: 570-385-1318 • CustomerService@CardinalSystemsinc.com

### Bill of Materials

PART NO.	QUANTITY	DESCRIPTION
"A" FRAME	12	"A" FRAME ASSEMBLY
CS900GS	2	GRECIAN STEP ANGLE
CS901GC	6	GRECIAN CORNER ANGLE
5S42400XXX0	2	4' Straight PANEL W/0 Z
5S42600XXX1	5	6' Straight PANEL W/1 Z
5S42800XXX2	4	8' Straight PANEL W/2 Z



NOTE: THIS IS A NON DIVING POOL.

<b>Date:</b> 5/10/2022	<b>Perimeter:</b> 76'-0"	 <small>cardinalpools.com</small>
<b>Drawn By:</b> AUSTIN K	<b>Area:</b> 376.7 SQ. FT.	
<b>Scale:</b> 1/8" = 1'-0"	<b>Notes:</b> - - - -	

This information is the confidential property of Cardinal Systems, Inc. Disclosure or duplication without proper written approval is strictly prohibited. Acceptance and use of this drawing constitutes knowledge and acceptance by the user of the terms and conditions set forth in the notice and warning which accompanied this drawing is incorporated herein and made part hereof and is found on Cardinal Systems, Inc's website at [www.CardinalSystemsInc.com](http://www.CardinalSystemsInc.com)

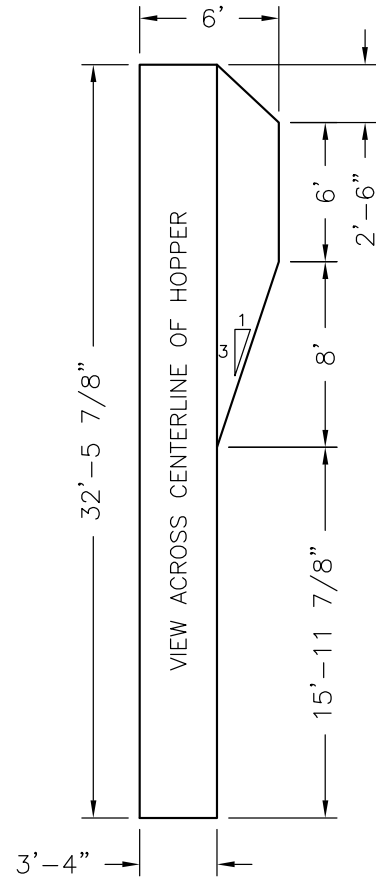
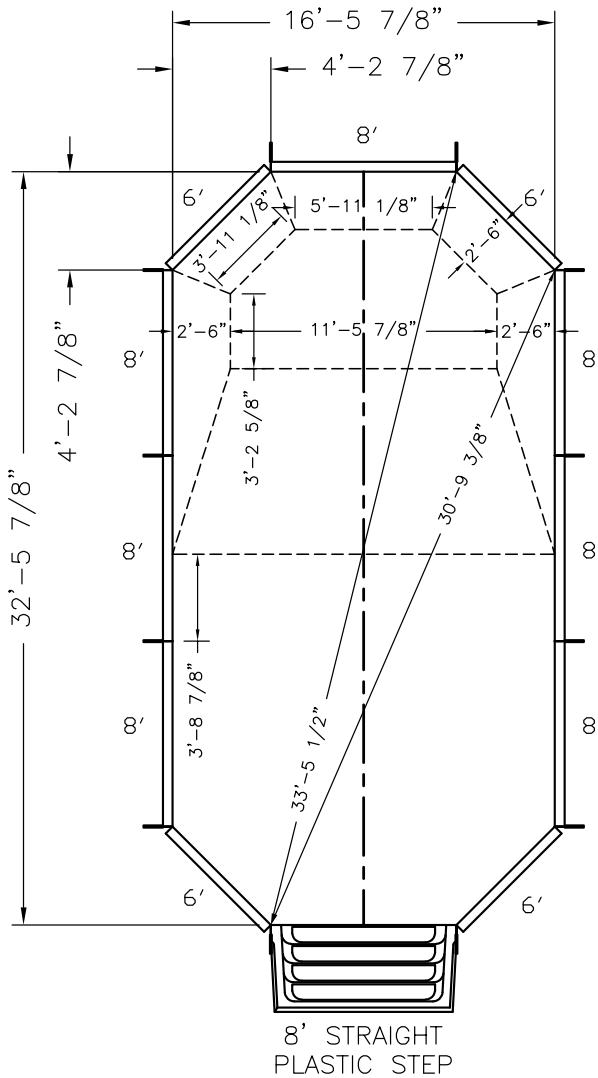


**Pool Size:** 16'-6" X 32'-6"  
**Pool Shape:** GRECIAN **Approx Gal:** 15,925  
**Pool Number:** 1632GREC (PLASTIC)


250 Route 61 South, Schuylkill Haven, PA 17972 • 570-385-4733 • fax: 570-385-1318 • CustomerService@CardinalSystemsinc.com

### Bill of Materials

PART NO.	QUANTITY	DESCRIPTION
"A" FRAME	12	"A" FRAME ASSEMBLY
CS900GS	2	GRECIAN STEP ANGLE
CS901GC	6	GRECIAN CORNER ANGLE
5S42600XXX1	4	6' Straight PANEL W/1 Z
5S42800XXX2	7	8' Straight PANEL W/2 Z



NOTE: THIS IS A NON DIVING POOL.

<b>Date:</b> 5/10/2022	<b>Perimeter:</b> 88'-0"	 <small>cardinalpools.com</small>
<b>Drawn By:</b> AUSTIN K	<b>Area:</b> 499.6 SQ. FT.	
<b>Scale:</b> 1/8" = 1'-0"	<b>Notes:</b> -----	

This information is the confidential property of Cardinal Systems, Inc. Disclosure or duplication without proper written approval is strictly prohibited. Acceptance and use of this drawing constitutes knowledge and acceptance by the user of the terms and conditions set forth in the notice and warning which accompanied this drawing is incorporated herein and made part hereof and is found on Cardinal Systems, Inc's website at [www.CardinalSystemsInc.com](http://www.CardinalSystemsInc.com)



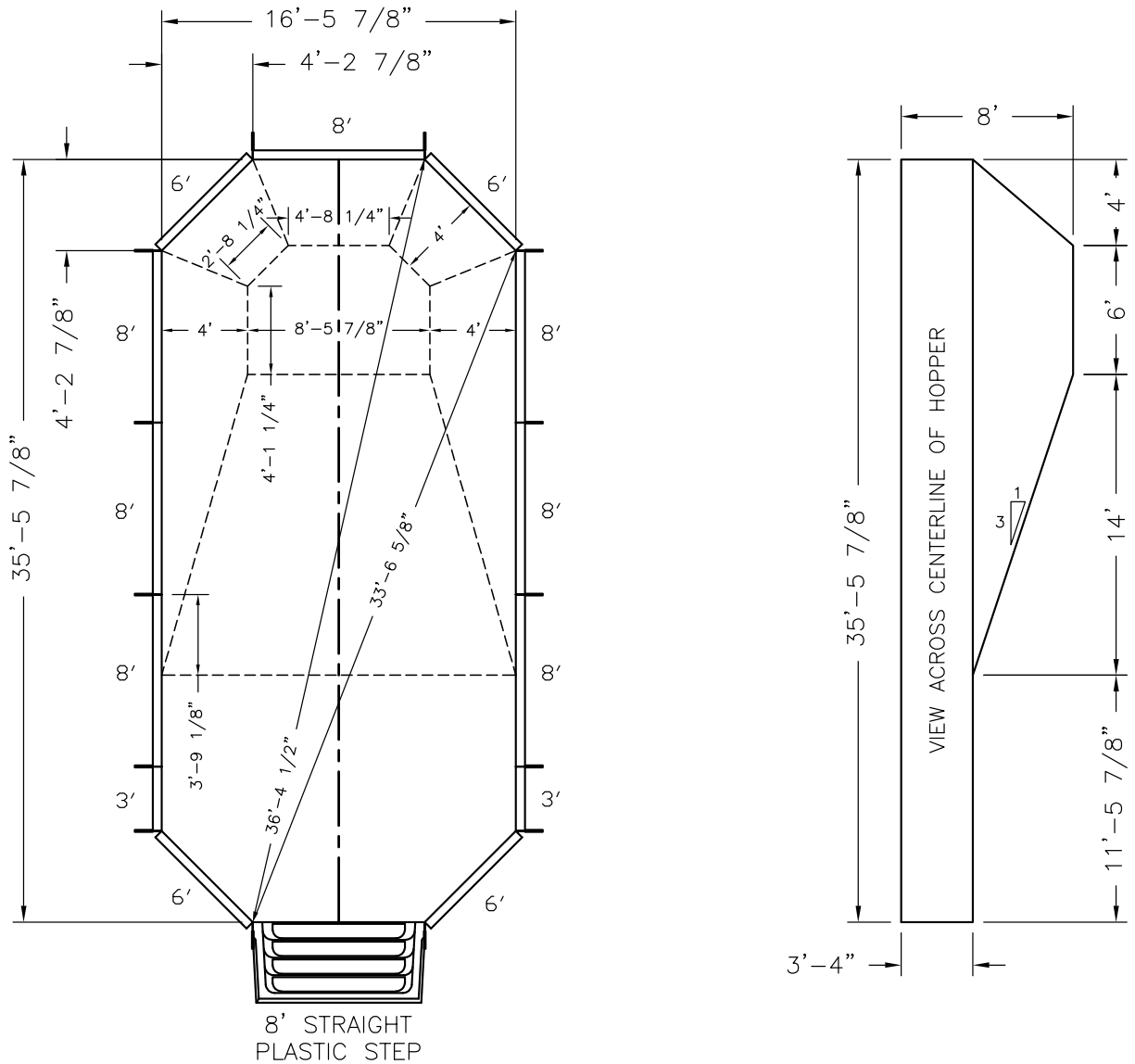


**Pool Size:** 16'-6" X 35'-6"  
**Pool Shape:** GRECIAN **Approx Gal:** 19,970  
**Pool Number:** 1635GREC (PLASTIC)

250 Route 61 South, Schuylkill Haven, PA 17972 • 570-385-4733 • fax: 570-385-1318 • CustomerService@CardinalSystemsinc.com

### Bill of Materials

PART NO.	QUANTITY	DESCRIPTION
"A" FRAME	14	"A" FRAME ASSEMBLY
CS900GS	2	GRECIAN STEP ANGLE
CS901GC	6	GRECIAN CORNER ANGLE
5S42300XXX0	2	3' Straight PANEL W/0 Z
5S42600XXX1	4	6' Straight PANEL W/1 Z
5S42800XXX2	7	8' Straight PANEL W/2 Z



**Date:** 5/11/2022

**Perimeter:** 94'-0"

**Drawn By:** AUSTIN K

**Area:** 549.0 SQ. FT.

**Scale:** 1/8" = 1'-0"

**Notes:** - - - -



cardinalpools.com

This information is the confidential property of Cardinal Systems, Inc. Disclosure or duplication without proper written approval is strictly prohibited. Acceptance and use of this drawing constitutes knowledge and acceptance by the user of the terms and conditions set forth in the notice and warning which accompanied this drawing is incorporated herein and made part hereof and is found on Cardinal Systems, Inc's website at www.CardinalSystemsInc.com



**Pool Size:** 17' X 31'

**Pool Shape:** GRECIAN

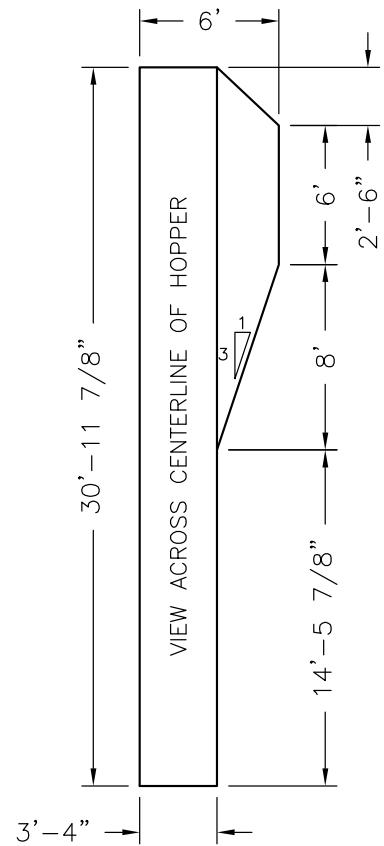
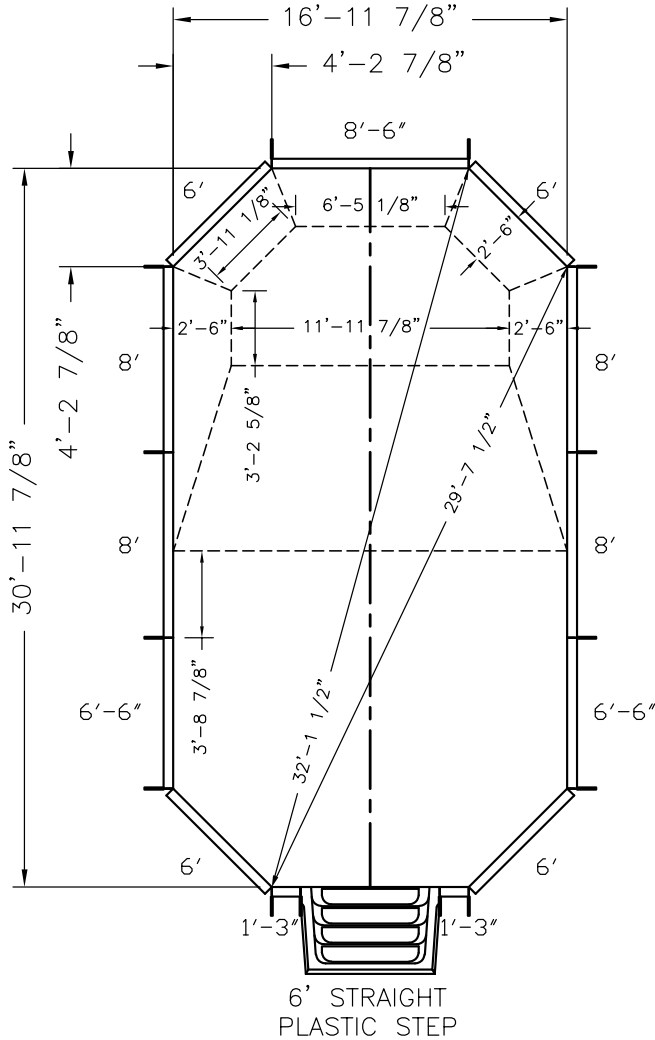
**Approx Gal:** 15,629

**Pool Number:** 1731GREC (PLASTIC)

250 Route 61 South, Schuylkill Haven, PA 17972 • 570-385-4733 • fax: 570-385-1318 • CustomerService@CardinalSystemsinc.com

Bill of Materials

PART NO.	QUANTITY	DESCRIPTION
"A" FRAME	14	"A" FRAME ASSEMBLY
CS901GC	8	GRECIAN CORNER ANGLE
5S42130XXX0	2	1'-3" Straight PANEL W/0 Z
5S42600XXX1	4	6' Straight PANEL W/1 Z
5S42660XXX2	2	6'-6" Straight PANEL W/2 Z
5S42800XXX2	4	8' Straight PANEL W/2 Z
5S42860XXX2	1	8'-6" Straight PANEL W/2 Z



NOTE: THIS IS A NON DIVING POOL.

**Date:** 5/10/2022

**Perimeter:** 86'-0"

**Drawn By:** AUSTIN K

**Area:** 490.3 SQ. FT.

**Scale:** 1/8" = 1'-0"

**Notes:** -----



cardinalpools.com

This information is the confidential property of Cardinal Systems, Inc. Disclosure or duplication without proper written approval is strictly prohibited. Acceptance and use of this drawing constitutes knowledge and acceptance by the user of the terms and conditions set forth in the notice and warning which accompanied this drawing is incorporated herein and made part hereof and is found on Cardinal Systems, Inc's website at www.CardinalSystemsInc.com



**Pool Size:** 17' X 34'

**Pool Shape:** GRECIAN

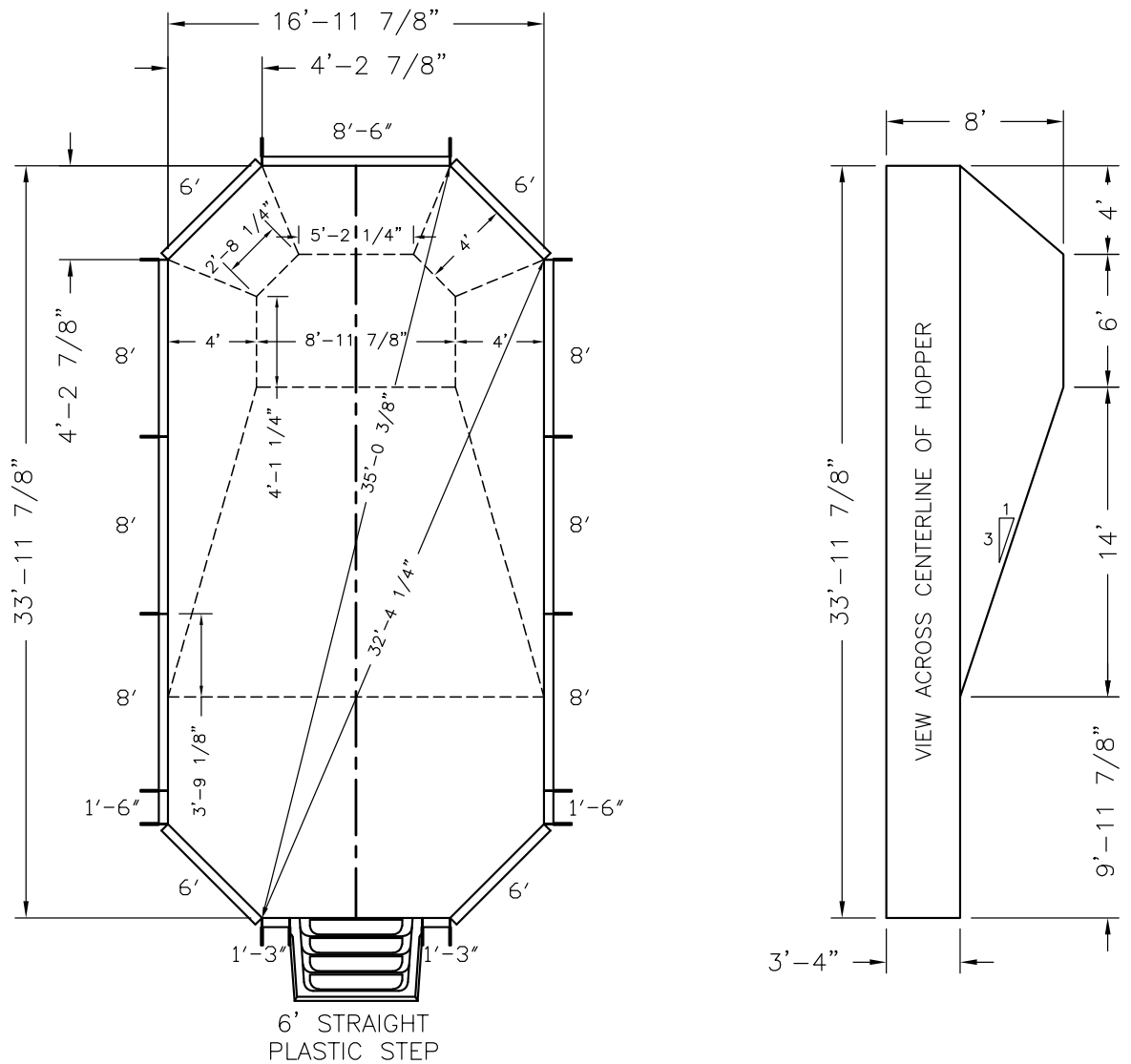
**Approx Gal:** 19,690

**Pool Number:** 1734GREC (PLASTIC)

250 Route 61 South, Schuylkill Haven, PA 17972 • 570-385-4733 • fax: 570-385-1318 • CustomerService@CardinalSystemsinc.com

Bill of Materials

PART NO.	QUANTITY	DESCRIPTION
"A" FRAME	16	"A" FRAME ASSEMBLY
CS901GC	8	GRECIAN CORNER ANGLE
5S42130XXX0	2	1'-3" Straight PANEL W/0 Z
5S42160XXX0	2	1'-6" Straight PANEL W/0 Z
5S42600XXX1	4	6' Straight PANEL W/1 Z
5S42800XXX2	6	8' Straight PANEL W/2 Z
5S42860XXX2	1	8'-6" Straight PANEL W/2 Z



**Date:** 5/10/2022

**Perimeter:** 92'-0"

**Drawn By:** AUSTIN K

**Area:** 541.3 SQ. FT.

**Scale:** 1/8" = 1'-0"

**Notes:** - - - -



cardinalpools.com

This information is the confidential property of Cardinal Systems, Inc. Disclosure or duplication without proper written approval is strictly prohibited. Acceptance and use of this drawing constitutes knowledge and acceptance by the user of the terms and conditions set forth in the notice and warning which accompanied this drawing is incorporated herein and made part hereof and is found on Cardinal Systems, Inc's website at www.CardinalSystemsInc.com



**Pool Size:** 18'-6" X 36'

**Pool Shape:** GRECIAN

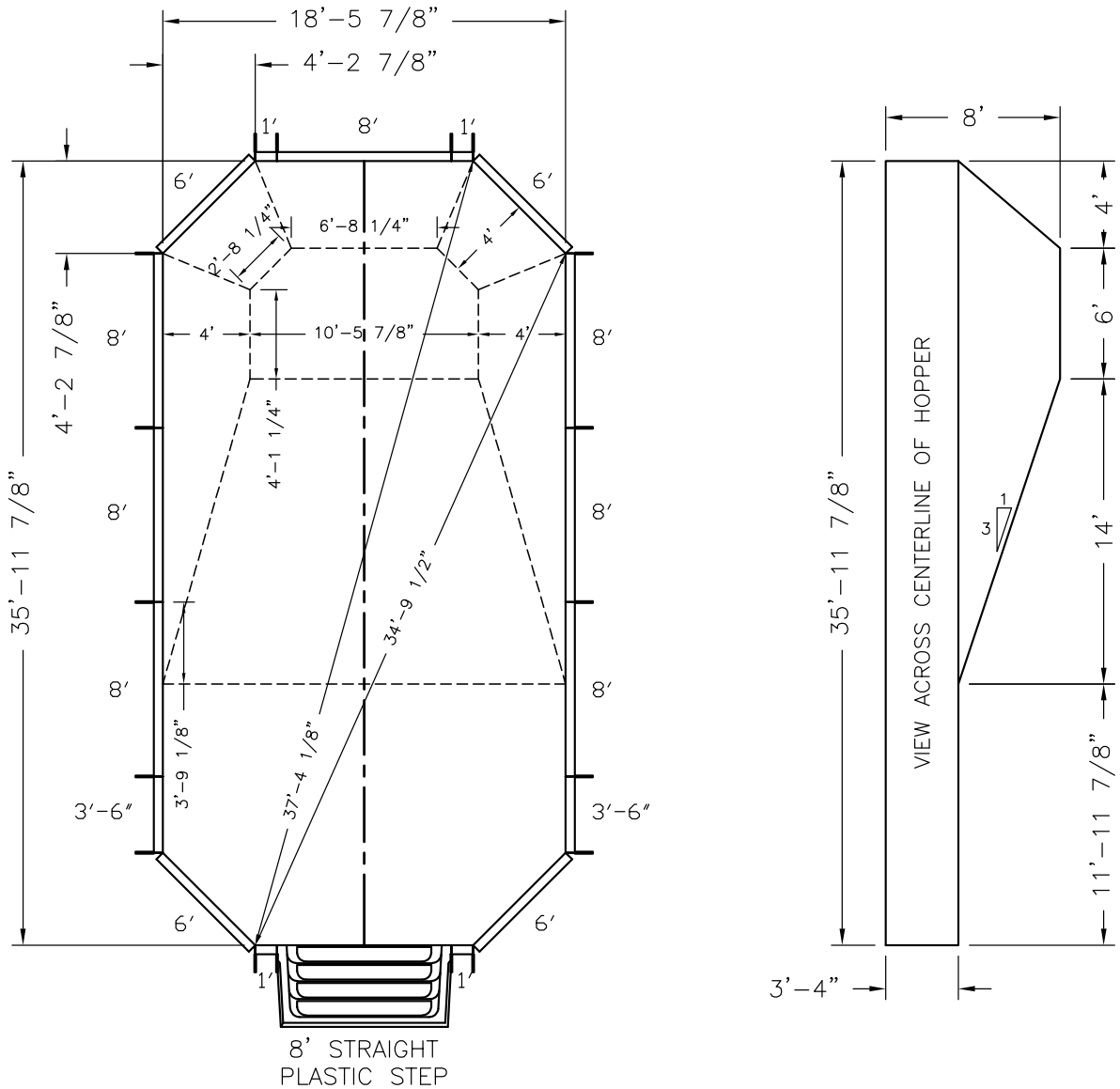
**Approx Gal:** 22,888

**Pool Number:** 1836GREC (PLASTIC)

250 Route 61 South, Schuylkill Haven, PA 17972 • 570-385-4733 • fax: 570-385-1318 • CustomerService@CardinalSystemsinc.com

Bill of Materials

PART NO.	QUANTITY	DESCRIPTION
"A" FRAME	18	"A" FRAME ASSEMBLY
CS901GC	8	GRECIAN CORNER ANGLE
5S42100XXX0	4	1' Straight PANEL W/0 Z
5S42360XXX0	2	3'-6" Straight PANEL W/0 Z
5S42600XXX1	4	6' Straight PANEL W/1 Z
5S42800XXX2	7	8' Straight PANEL W/2 Z



<b>Date:</b> 5/10/2022	<b>Perimeter:</b> 99'-0"	
<b>Drawn By:</b> AUSTIN K	<b>Area:</b> 629.2 SQ. FT.	
<b>Scale:</b> 1/8" = 1'-0"	<b>Notes:</b> -----	

This information is the confidential property of Cardinal Systems, Inc. Disclosure or duplication without proper written approval is strictly prohibited. Acceptance and use of this drawing constitutes knowledge and acceptance by the user of the terms and conditions set forth in the notice and warning which accompanied this drawing is incorporated herein and made part hereof and is found on Cardinal Systems, Inc's website at www.CardinalSystemsInc.com

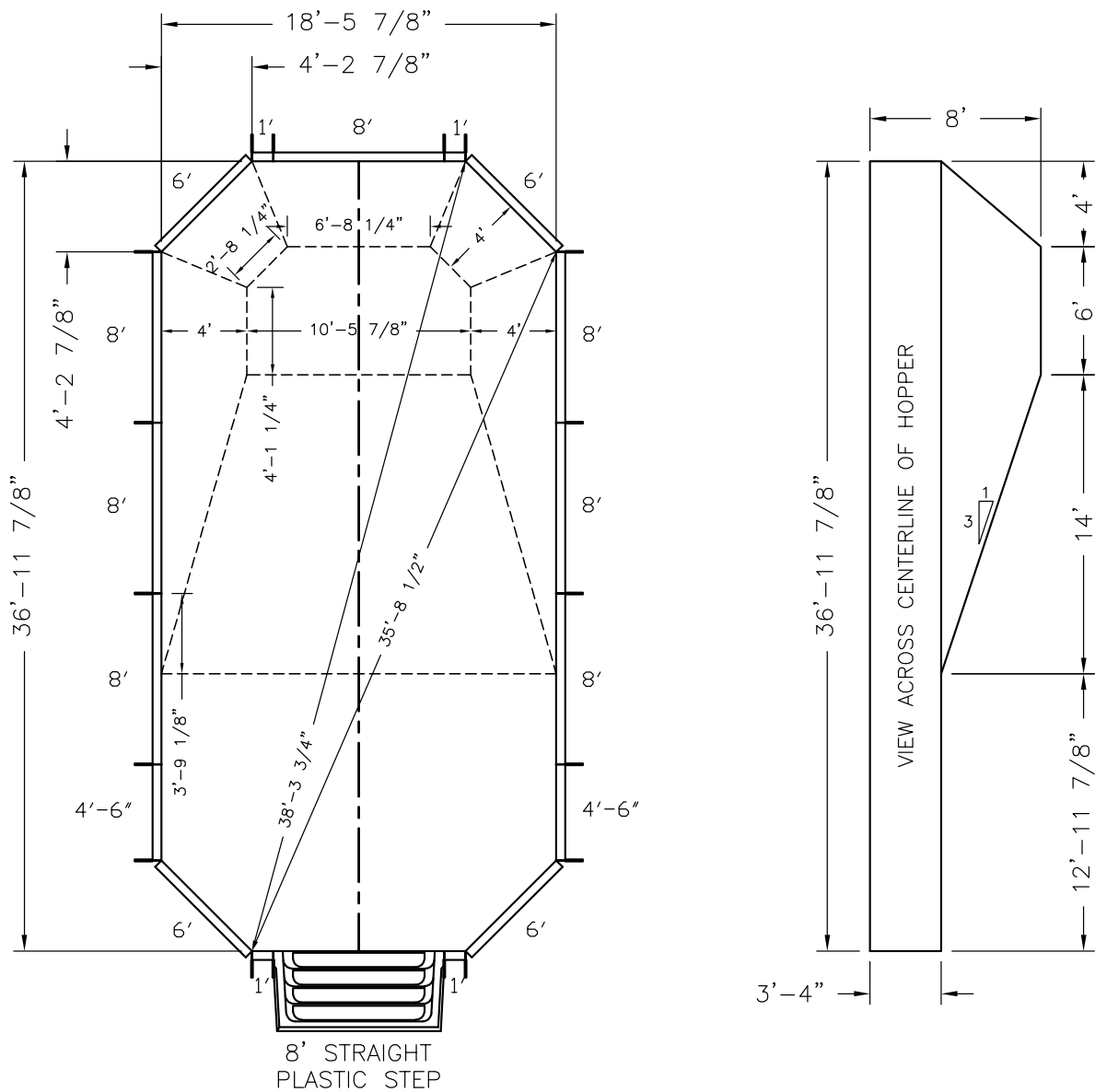


**Pool Size:** 18'-6" X 37'  
**Pool Shape:** GRECIAN **Approx Gal:** 23,561  
**Pool Number:** 1837GREC (PLASTIC)

250 Route 61 South, Schuylkill Haven, PA 17972 • 570-385-4733 • fax: 570-385-1318 • CustomerService@CardinalSystemsinc.com

### Bill of Materials

PART NO.	QUANTITY	DESCRIPTION
"A" FRAME	18	"A" FRAME ASSEMBLY
CS901GC	8	GRECIAN CORNER ANGLE
5S42100XXX0	4	1' Straight PANEL W/0 Z
5S42460XXX0	2	4'-6" Straight PANEL W/0 Z
5S42600XXX1	4	6' Straight PANEL W/1 Z
5S42800XXX2	7	8' Straight PANEL W/2 Z



**Date:** 5/10/2022

**Perimeter:** 101'-0"

**Drawn By:** AUSTIN K

**Area:** 647.7 SQ. FT.

**Scale:** 1/8" = 1'-0"

**Notes:** - - - -



cardinalpools.com

This information is the confidential property of Cardinal Systems, Inc. Disclosure or duplication without proper written approval is strictly prohibited. Acceptance and use of this drawing constitutes knowledge and acceptance by the user of the terms and conditions set forth in the notice and warning which accompanied this drawing is incorporated herein and made part hereof and is found on Cardinal Systems, Inc's website at www.CardinalSystemsInc.com



**Pool Size:** 20' X 40'

**Pool Shape:** GRECIAN

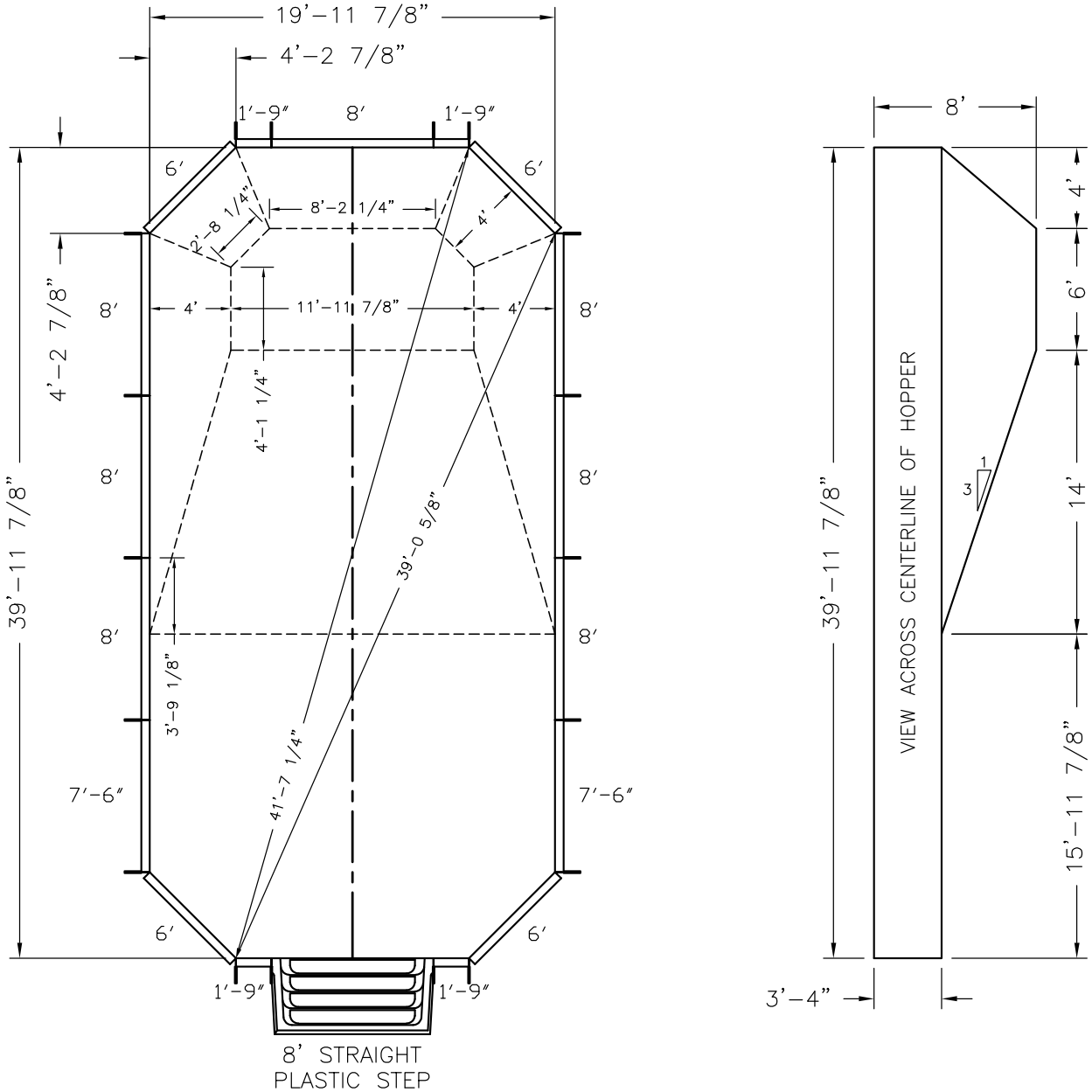
**Approx Gal:** 27,762

**Pool Number:** 2040GREC (PLASTIC)

250 Route 61 South, Schuylkill Haven, PA 17972 • 570-385-4733 • fax: 570-385-1318 • CustomerService@CardinalSystemsinc.com

Bill of Materials

PART NO.	QUANTITY	DESCRIPTION
"A" FRAME	18	"A" FRAME ASSEMBLY
CS901GC	8	GRECIAN CORNER ANGLE
5S42190XXX0	4	1'-9" Straight PANEL W/0 Z
5S42600XXX1	4	6' Straight PANEL W/1 Z
5S42760XXX2	2	7'-6" Straight PANEL W/2 Z
5S42800XXX2	7	8' Straight PANEL W/2 Z



<b>Date:</b> 5/10/2022	<b>Perimeter:</b> 110'-0"	
<b>Drawn By:</b> AUSTIN K	<b>Area:</b> 763.2 SQ. FT.	
<b>Scale:</b> 1/8" = 1'-0"	<b>Notes:</b> -----	

This information is the confidential property of Cardinal Systems, Inc. Disclosure or duplication without proper written approval is strictly prohibited. Acceptance and use of this drawing constitutes knowledge and acceptance by the user of the terms and conditions set forth in the notice and warning which accompanied this drawing is incorporated herein and made part hereof and is found on Cardinal Systems, Inc's website at www.CardinalSystemsInc.com



**Pool Size:** 16' X 32'

**Pool Shape:** GOTHIC

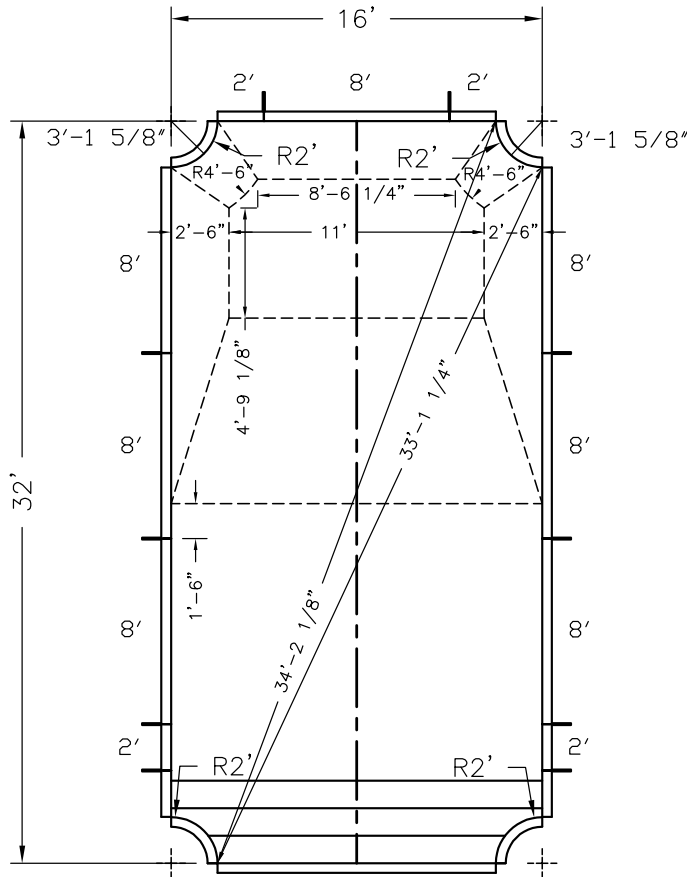
**Approx Gal:** 15,922

**Pool Number:** 1632GOTH2R (STEEL)

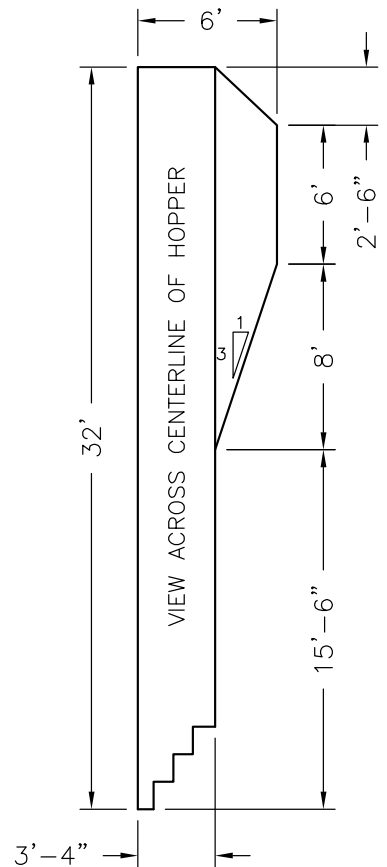
250 Route 61 South, Schuylkill Haven, PA 17972 • 570-385-4733 • fax: 570-385-1318 • CustomerService@CardinalSystemsinc.com

## Bill of Materials

PART NO.	QUANTITY	DESCRIPTION
"A" FRAME	10	"A" FRAME ASSEMBLY
5R42315XX02000	2	2' REV. RADIUS PANEL
CS902SA	4	90 DEG CORNER ANGLE
S1600GN34220RX3	1	16' STEEL GOTHIC STEP W/2' RADIUS CORNERS W/LINER TRACK
5S42200XXX0	4	2' Straight PANEL W/O Z
5S42800XXX2	7	8' Straight PANEL W/2 Z



16' STEEL GOTHIC STEP  
W/2' RADIUS CORNERS  
W/LINER TRACK  
S1600GN34220RX3



NOTE: THIS IS A NON DIVING POOL.

**Date:** 5/10/2022

**Perimeter:** 92'-6 3/4"

**Drawn By:** AUSTIN K

**Area:** 499.5 SQ. FT.

**Scale:** 1/8" = 1'-0"

**Notes:** - - - -



cardinalpools.com

This information is the confidential property of Cardinal Systems, Inc. Disclosure or duplication without proper written approval is strictly prohibited. Acceptance and use of this drawing constitutes knowledge and acceptance by the user of the terms and conditions set forth in the notice and warning which accompanied this drawing is incorporated herein and made part hereof and is found on Cardinal Systems, Inc's website at www.CardinalSystemsinc.com



**Pool Size:** 18' X 36'

**Pool Shape:** GOTHIC

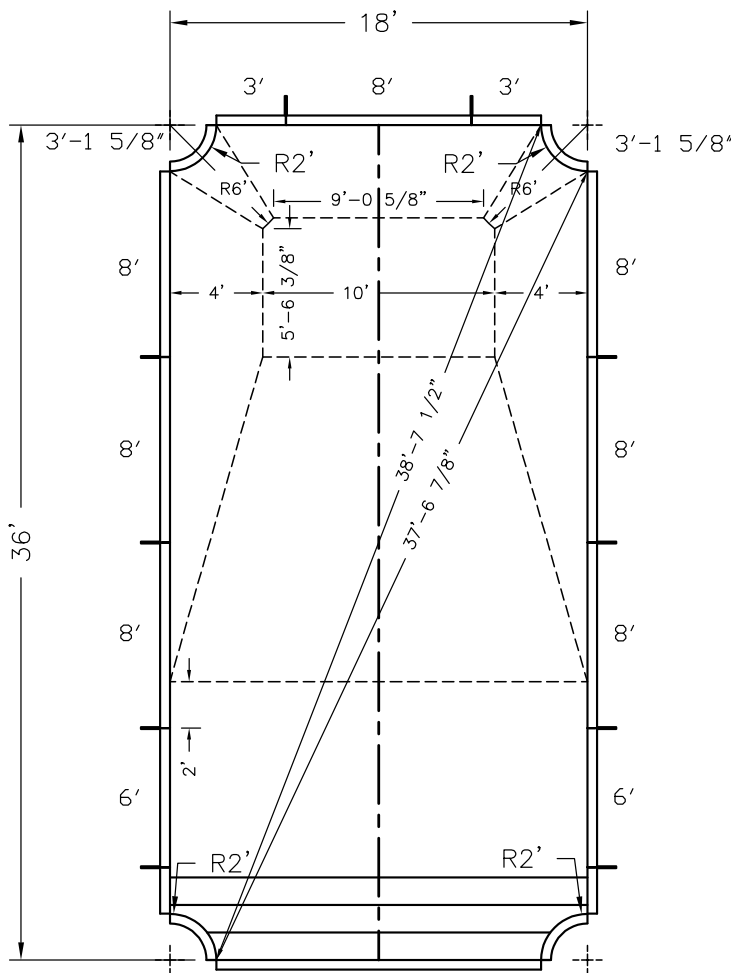
**Approx Gal:** 23,117

**Pool Number:** 1836GOTH2R (STEEL)

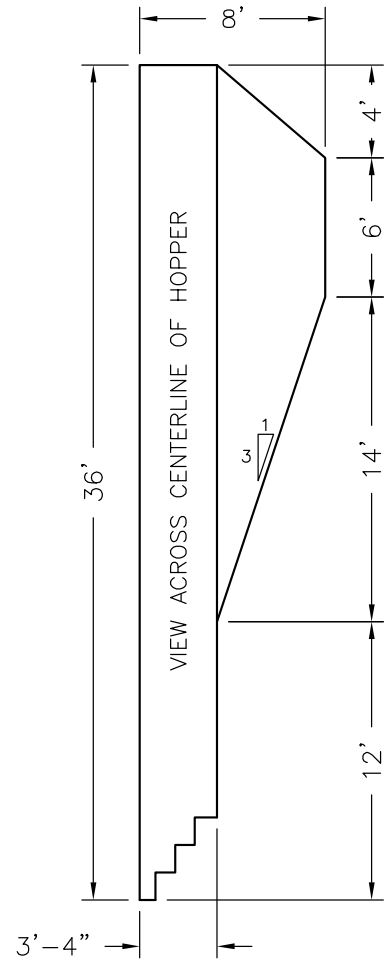
250 Route 61 South, Schuylkill Haven, PA 17972 • 570-385-4733 • fax: 570-385-1318 • CustomerService@CardinalSystemsinc.com

Bill of Materials

PART NO.	QUANTITY	DESCRIPTION
"A" FRAME	10	"A" FRAME ASSEMBLY
5R42315XX02000	2	2' REV. RADIUS PANEL
CS902SA	4	90 DEG CORNER ANGLE
S1800GN34220RX1	1	18' STEEL GOTHIC STEP W/2' RADIUS CORNERS W/LINER TRACK
5S42300XXX0	2	3' Straight PANEL W/0 Z
5S42600XXX1	2	6' Straight PANEL W/1 Z
5S42800XXX2	7	8' Straight PANEL W/2 Z



18' STEEL GOTHIC STEP  
W/2' RADIUS CORNERS  
W/LINER TRACK  
S1800GN34220RX1



<b>Date:</b> 5/10/2022	<b>Perimeter:</b> 104'-6 3/4"
<b>Drawn By:</b> AUSTIN K	<b>Area:</b> 635.5 SQ. FT.
<b>Scale:</b> 1/8" = 1'-0"	<b>Notes:</b> -----



This information is the confidential property of Cardinal Systems, Inc. Disclosure or duplication without proper written approval is strictly prohibited. Acceptance and use of this drawing constitutes knowledge and acceptance by the user of the terms and conditions set forth in the notice and warning which accompanied this drawing is incorporated herein and made part hereof and is found on Cardinal Systems, Inc's website at www.CardinalSystemsInc.com





**Pool Size:** 20' X 40'

**Pool Shape:** GOTHIC

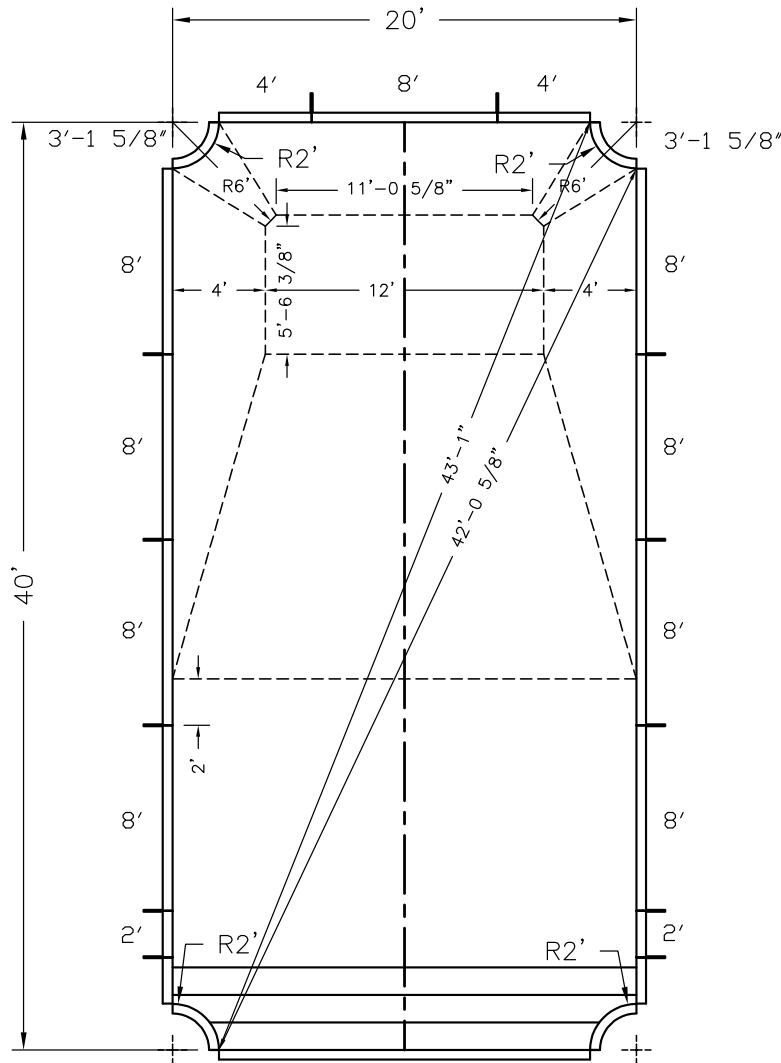
**Approx Gal:** 28,646

**Pool Number:** 2040GOTH2R (STEEL)

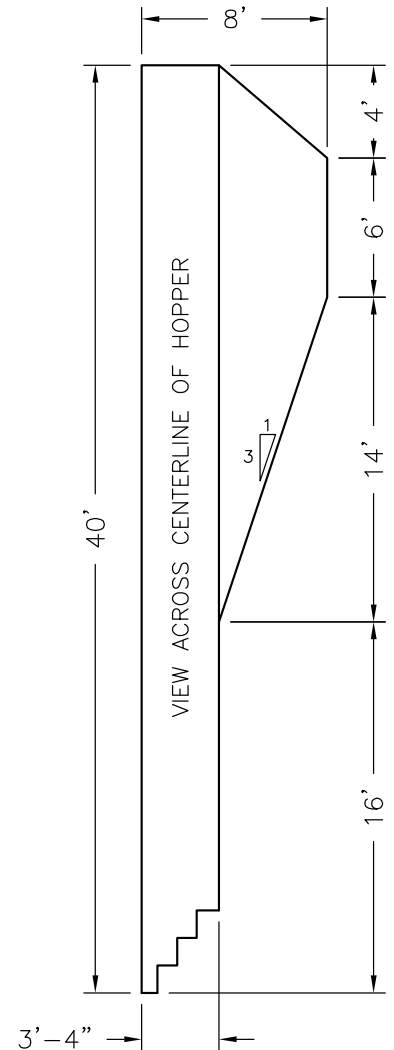
250 Route 61 South, Schuylkill Haven, PA 17972 • 570-385-4733 • fax: 570-385-1318 • CustomerService@CardinalSystemsinc.com

Bill of Materials

PART NO.	QUANTITY	DESCRIPTION
"A" FRAME	12	"A" FRAME ASSEMBLY
5R42315XX02000	2	2' REV. RADIUS PANEL
CS902SA	4	90 DEG CORNER ANGLE
S2000GN34220RX1	1	20' STEEL GOTHIC STEP W/2' RADIUS CORNERS W/LINER TRACK
5S42200XXX0	2	2' Straight PANEL W/0 Z
5S42400XXX0	2	4' Straight PANEL W/0 Z
5S42800XXX2	9	8' Straight PANEL W/2 Z



20' STEEL GOTHIC STEP  
W/2' RADIUS CORNERS  
W/LINER TRACK  
S2000GN34220RX1



**Date:** 5/10/2022

**Perimeter:** 116'-6 3/4"

**Drawn By:** AUSTIN K

**Area:** 787.5 SQ. FT.

**Scale:** 1/8" = 1'-0"

**Notes:** - - - -



cardinalpools.com

This information is the confidential property of Cardinal Systems, Inc. Disclosure or duplication without proper written approval is strictly prohibited. Acceptance and use of this drawing constitutes knowledge and acceptance by the user of the terms and conditions set forth in the notice and warning which accompanied this drawing is incorporated herein and made part hereof and is found on Cardinal Systems, Inc's website at www.CardinalSystemsInc.com



**Pool Size:** 16' X 32'

**Pool Shape:** GOTHIC

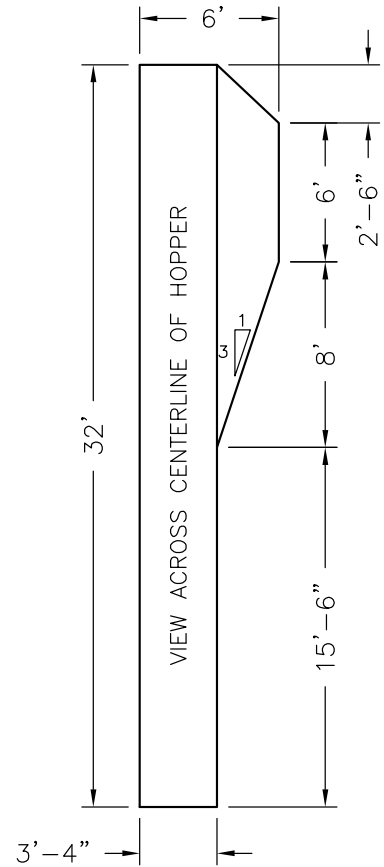
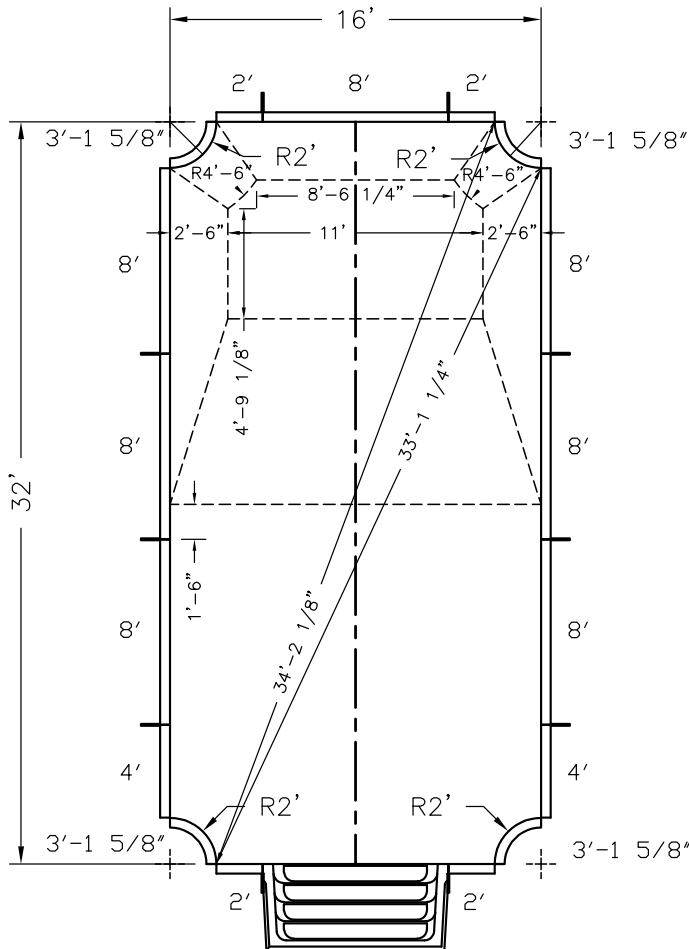
**Approx Gal:** 15,922

**Pool Number:** 1632GOTH2R (PLASTIC)

250 Route 61 South, Schuylkill Haven, PA 17972 • 570-385-4733 • fax: 570-385-1318 • CustomerService@CardinalSystemsinc.com

Bill of Materials

PART NO.	QUANTITY	DESCRIPTION
"A" FRAME	10	"A" FRAME ASSEMBLY
5R42315XX02000	4	2' REV. RADIUS PANEL
CS902SA	8	90 DEG CORNER ANGLE
5S42200XXX0	4	2' Straight PANEL W/0 Z
5S42400XXX0	2	4' Straight PANEL W/0 Z
5S42800XXX2	7	8' Straight PANEL W/2 Z



8' STRAIGHT PLASTIC STEP

NOTE: THIS IS A NON DIVING POOL.

<b>Date:</b> 5/10/2022	<b>Perimeter:</b> 92'-6 3/4"	
<b>Drawn By:</b> AUSTIN K	<b>Area:</b> 499.5 SQ. FT.	
<b>Scale:</b> 1/8" = 1'-0"	<b>Notes:</b> -----	

This information is the confidential property of Cardinal Systems, Inc. Disclosure or duplication without proper written approval is strictly prohibited. Acceptance and use of this drawing constitutes knowledge and acceptance by the user of the terms and conditions set forth in the notice and warning which accompanied this drawing is incorporated herein and made part hereof and is found on Cardinal Systems, Inc's website at www.CardinalSystemsInc.com



**Pool Size:** 18' X 36'

**Pool Shape:** GOTHIC

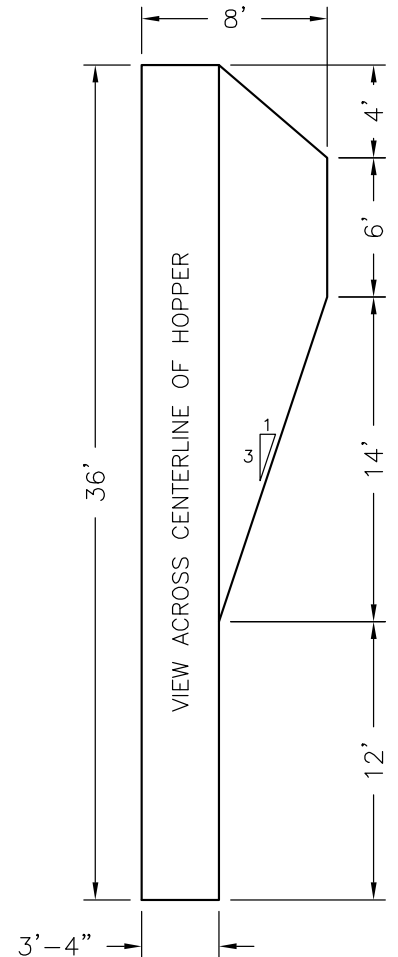
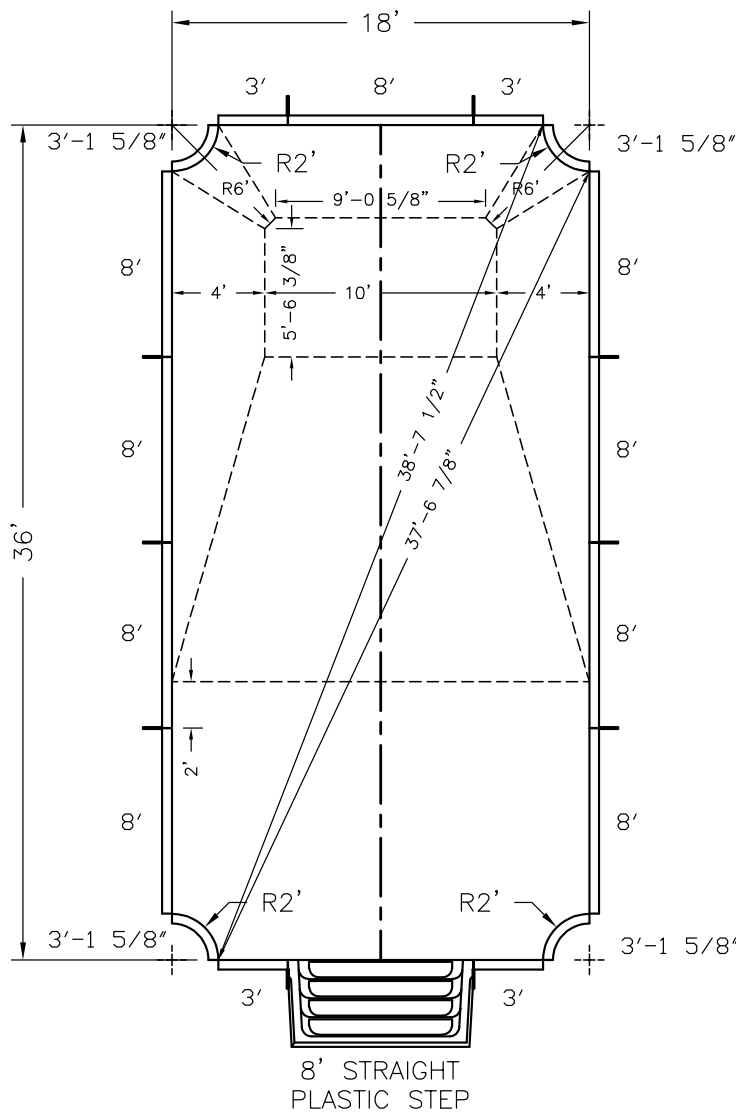
**Approx Gal:** 23,117

**Pool Number:** 1836GOTH2R (PLASTIC)

250 Route 61 South, Schuylkill Haven, PA 17972 • 570-385-4733 • fax: 570-385-1318 • CustomerService@CardinalSystemsinc.com

Bill of Materials

PART NO.	QUANTITY	DESCRIPTION
"A" FRAME	10	"A" FRAME ASSEMBLY
5R42315XX02000	4	2' REV. RADIUS PANEL
CS902SA	8	90 DEG CORNER ANGLE
5S42300XXX0	4	3' Straight PANEL W/0 Z
5S42800XXX2	9	8' Straight PANEL W/2 Z



**Date:** 5/10/2022

**Perimeter:** 104'-6 3/4"

**Drawn By:** AUSTIN K

**Area:** 635.5 SQ. FT.

**Scale:** 1/8" = 1'-0"

**Notes:** - - - -



cardinalpools.com

This information is the confidential property of Cardinal Systems, Inc. Disclosure or duplication without proper written approval is strictly prohibited. Acceptance and use of this drawing constitutes knowledge and acceptance by the user of the terms and conditions set forth in the notice and warning which accompanied this drawing is incorporated herein and made part hereof and is found on Cardinal Systems, Inc's website at www.CardinalSystemsInc.com



**Pool Size:** 20' X 40'

**Pool Shape:** GOTHIC

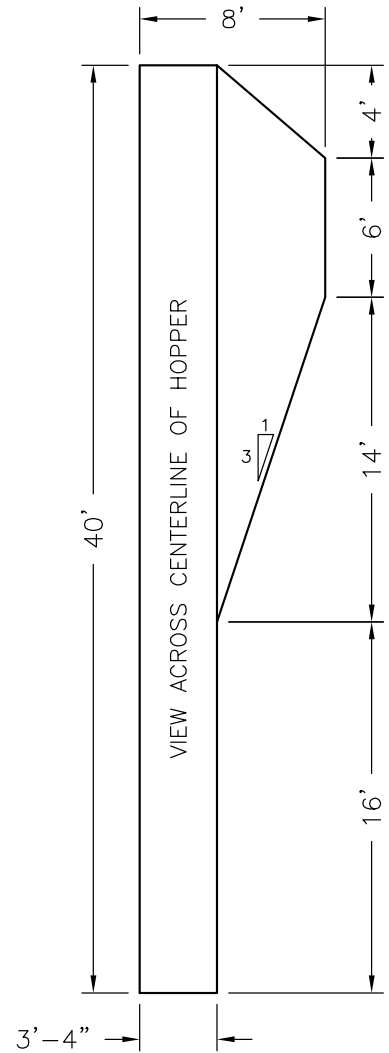
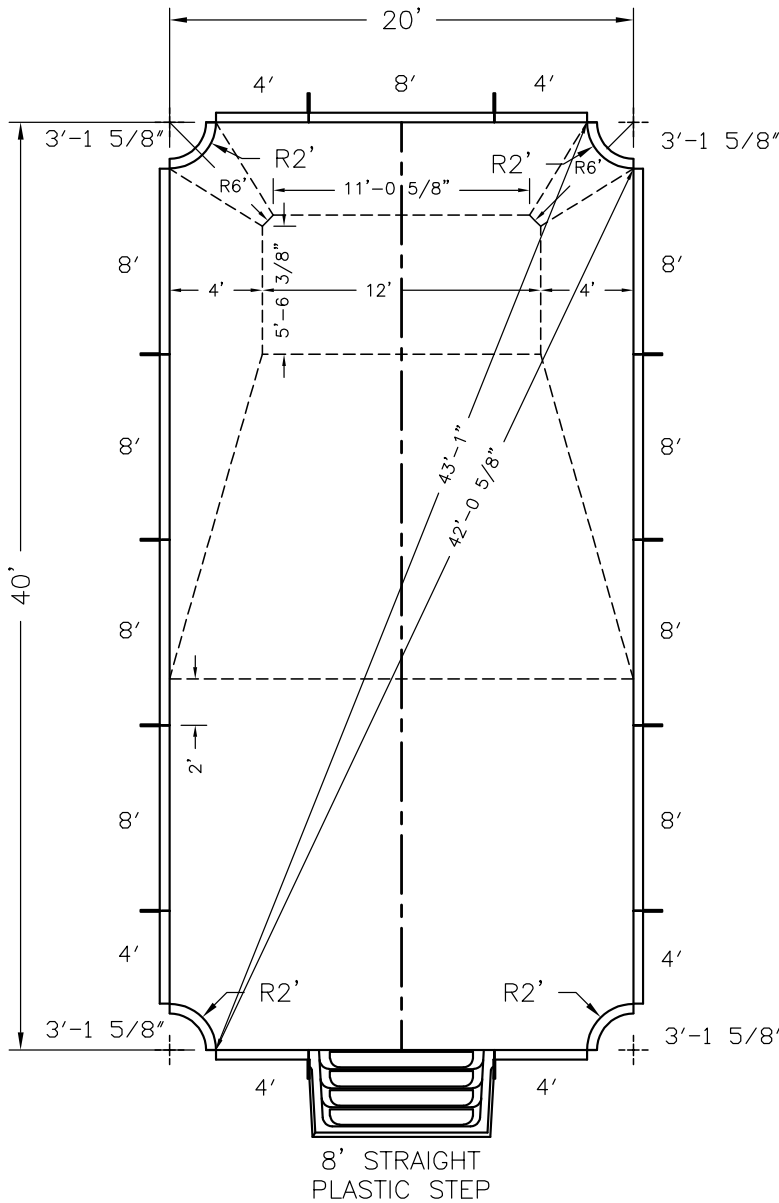
**Approx Gal:** 28,646

**Pool Number:** 2040GOTH2R (PLASTIC)

250 Route 61 South, Schuylkill Haven, PA 17972 • 570-385-4733 • fax: 570-385-1318 • CustomerService@CardinalSystemsinc.com

Bill of Materials

PART NO.	QUANTITY	DESCRIPTION
"A" FRAME	12	"A" FRAME ASSEMBLY
5R42315XX02000	4	2' REV. RADIUS PANEL
CS902SA	8	90 DEG CORNER ANGLE
5S42400XXX0	6	4' Straight PANEL W/0 Z
5S42800XXX2	9	8' Straight PANEL W/2 Z



**Date:** 5/10/2022

**Perimeter:** 116'-6 3/4"

**Drawn By:** AUSTIN K

**Area:** 787.5 SQ. FT.

**Scale:** 1/8" = 1'-0"

**Notes:** -----



cardinalpools.com

This information is the confidential property of Cardinal Systems, Inc. Disclosure or duplication without proper written approval is strictly prohibited. Acceptance and use of this drawing constitutes knowledge and acceptance by the user of the terms and conditions set forth in the notice and warning which accompanied this drawing is incorporated herein and made part hereof and is found on Cardinal Systems, Inc's website at www.CardinalSystemsInc.com



**Pool Size:** 16' X 32'

**Pool Shape:** GOTHIC

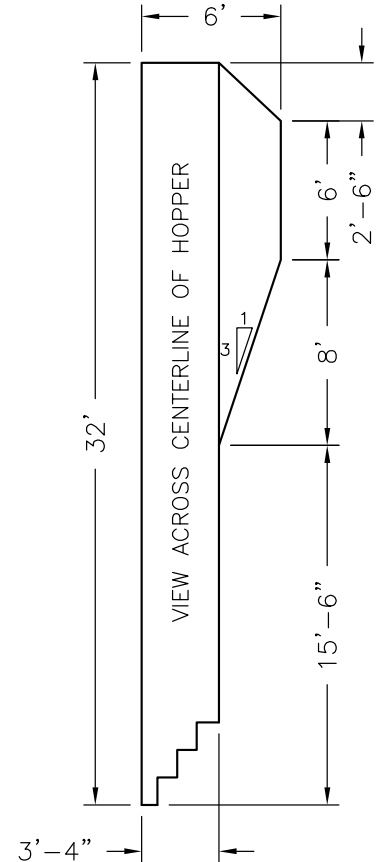
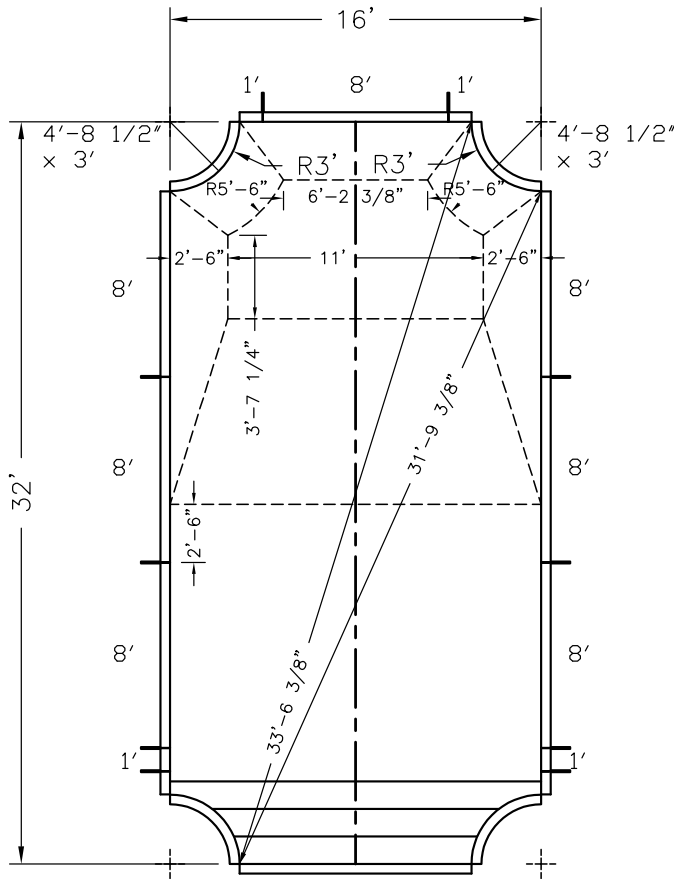
**Approx Gal:** 15,422

**Pool Number:** 1632GOTH3R (STEEL)

250 Route 61 South, Schuylkill Haven, PA 17972 • 570-385-4733 • fax: 570-385-1318 • CustomerService@CardinalSystemsinc.com

### Bill of Materials

PART NO.	QUANTITY	DESCRIPTION
"A" FRAME	10	"A" FRAME ASSEMBLY
CS902SA	4	90 DEG CORNER ANGLE
S1600GN3423ORX0	1	16' STEEL GOTHIC STEP W/3' RADIUS CORNERS W/LINER TRACK
5R42484XX03000	2	4'-8 1/2" x 3' Radius R PANEL W/0 Z
5S42100XXX0	4	1' Straight PANEL W/0 Z
5S42800XXX2	7	8' Straight PANEL W/2 Z



16' STEEL GOTHIC STEP  
W/3' RADIUS CORNERS  
W/LINER TRACK  
S1600GN3423ORX0

NOTE: THIS IS A NON DIVING POOL.

**Date:** 5/10/2022

**Perimeter:** 90'-10 1/4"

**Drawn By:** AUSTIN K

**Area:** 483.8 SQ. FT.

**Scale:** 1/8" = 1'-0"

**Notes:** - - - -



cardinalpools.com

This information is the confidential property of Cardinal Systems, Inc. Disclosure or duplication without proper written approval is strictly prohibited. Acceptance and use of this drawing constitutes knowledge and acceptance by the user of the terms and conditions set forth in the notice and warning which accompanied this drawing is incorporated herein and made part hereof and is found on Cardinal Systems, Inc's website at www.CardinalSystemsInc.com



**Pool Size:** 18' X 36'

**Pool Shape:** GOTHIC

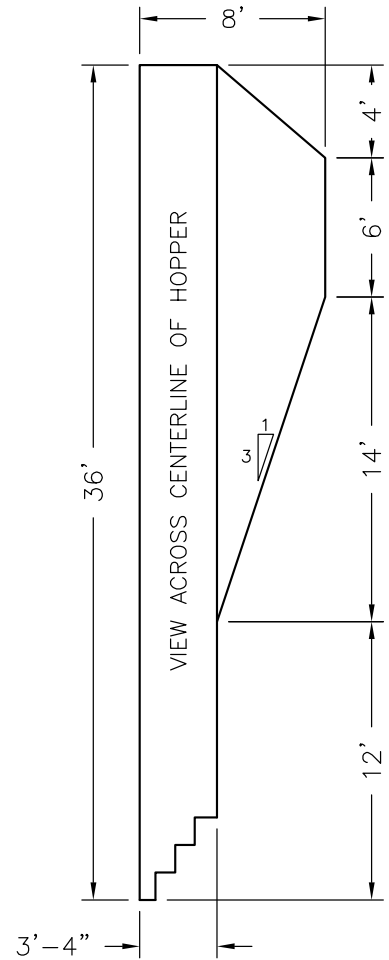
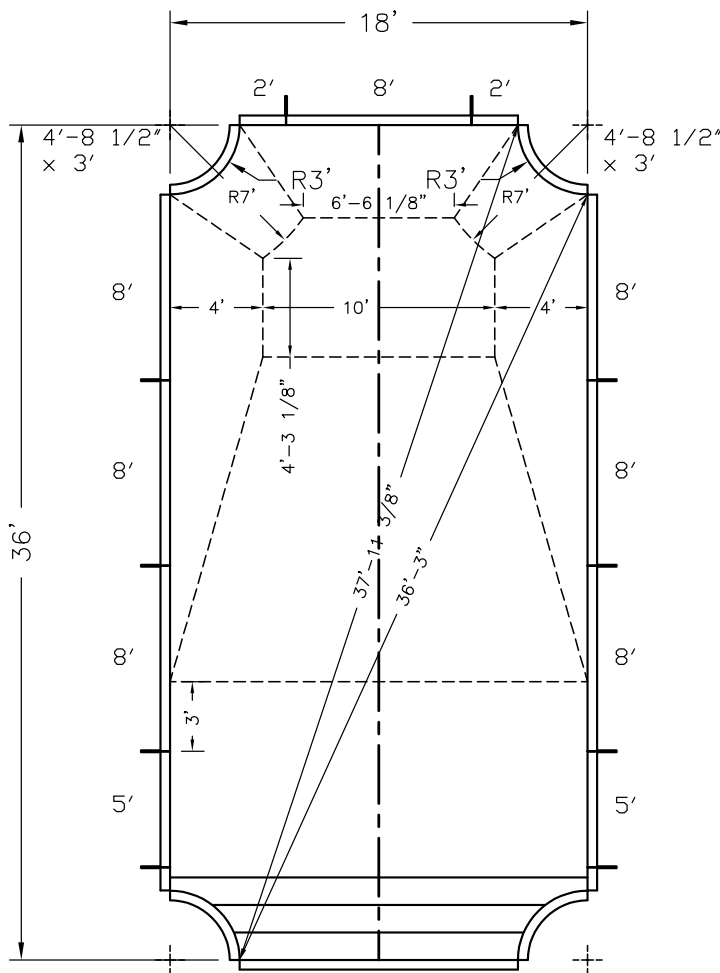
**Approx Gal:** 22,546

**Pool Number:** 1836GOTH3R (STEEL)

250 Route 61 South, Schuylkill Haven, PA 17972 • 570-385-4733 • fax: 570-385-1318 • CustomerService@CardinalSystemsinc.com

Bill of Materials

PART NO.	QUANTITY	DESCRIPTION
"A" FRAME	10	"A" FRAME ASSEMBLY
CS902SA	4	90 DEG CORNER ANGLE
S1800GN34230RX1	1	18' STEEL GOTHIC STEP W/3' RADIUS CORNERS W/LINER TRACK
5R42484XX03000	2	4'-8 1/2" x 3' Radius R PANEL W/0 Z
5S42200XXX0	2	2' Straight PANEL W/0 Z
5S42500XXX0	2	5' Straight PANEL W/0 Z
5S42800XXX2	7	8' Straight PANEL W/2 Z



18' STEEL GOTHIC STEP  
W/3' RADIUS CORNERS  
W/LINER TRACK  
S1800GN34230RX1

<b>Date:</b> 5/10/2022	<b>Perimeter:</b> 102'-10 1/4"	
<b>Drawn By:</b> AUSTIN K	<b>Area:</b> 619.8 SQ. FT.	
<b>Scale:</b> 1/8" = 1'-0"	<b>Notes:</b> -----	

This information is the confidential property of Cardinal Systems, Inc. Disclosure or duplication without proper written approval is strictly prohibited. Acceptance and use of this drawing constitutes knowledge and acceptance by the user of the terms and conditions set forth in the notice and warning which accompanied this drawing is incorporated herein and made part hereof and is found on Cardinal Systems, Inc's website at www.CardinalSystemsInc.com



**Pool Size:** 20' X 40'

**Pool Shape:** GOTHIC

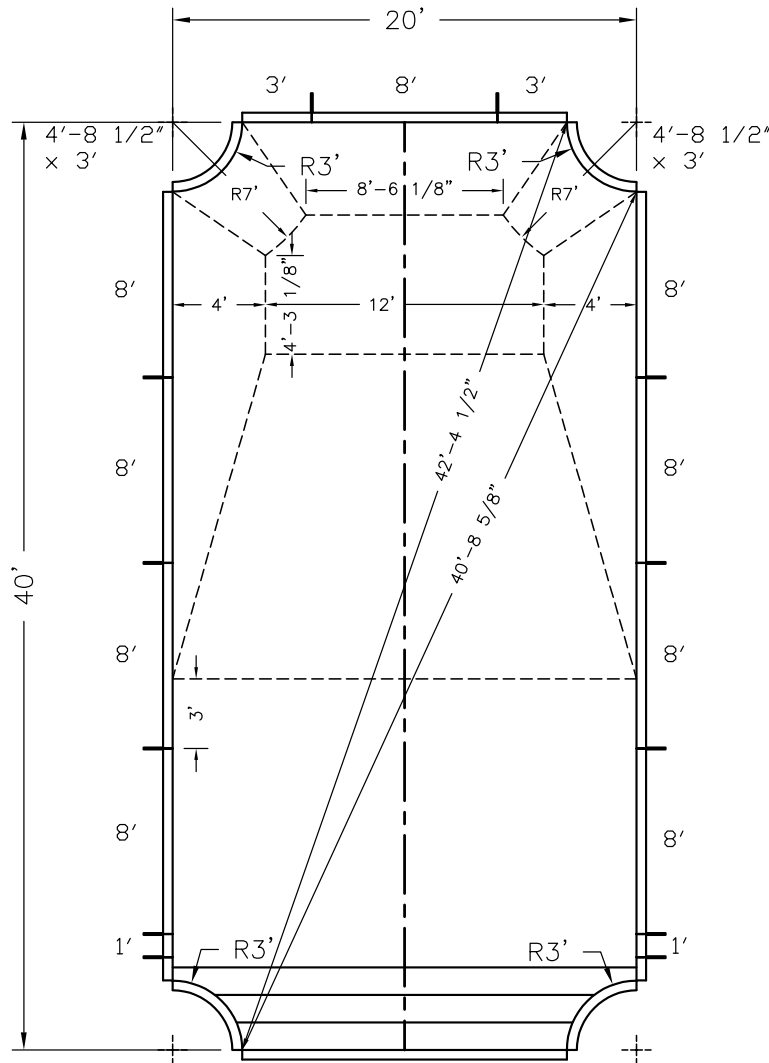
**Approx Gal:** 28,075

**Pool Number:** 2040GOTH3R (STEEL)

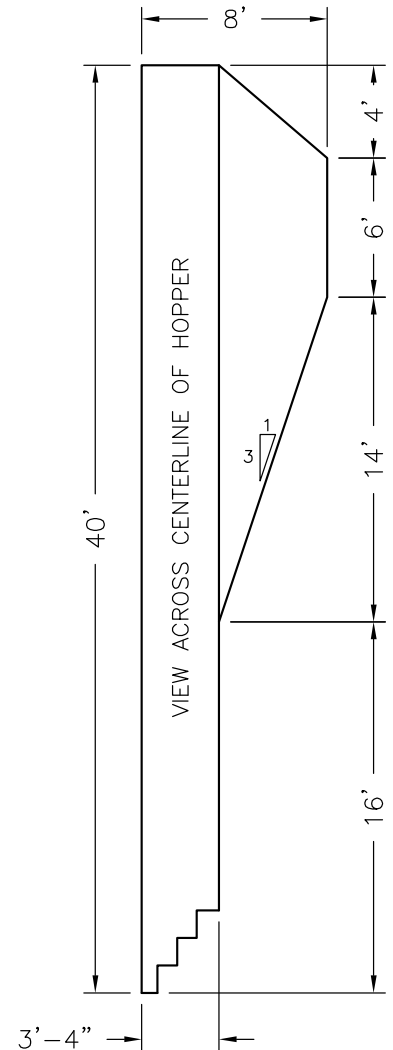
250 Route 61 South, Schuylkill Haven, PA 17972 • 570-385-4733 • fax: 570-385-1318 • CustomerService@CardinalSystemsinc.com

Bill of Materials

PART NO.	QUANTITY	DESCRIPTION
"A" FRAME	12	"A" FRAME ASSEMBLY
CS902SA	4	90 DEG CORNER ANGLE
S2000GN34230RX0	1	20' STEEL GOTHIC STEP W/3' RADIUS CORNERS W/LINER TRACK
5R42484XX03000	2	4'-8 1/2" x 3' Radius R PANEL W/0 Z
5S42100XXX0	2	1' Straight PANEL W/0 Z
5S42300XXX0	2	3' Straight PANEL W/0 Z
5S42800XXX2	9	8' Straight PANEL W/2 Z



20' STEEL GOTHIC STEP  
W/3' RADIUS CORNERS  
W/LINER TRACK  
S2000GN34230RX0



**Date:** 5/10/2022

**Perimeter:** 114'-10 1/4"

**Drawn By:** AUSTIN K

**Area:** 771.8 SQ. FT.

**Scale:** 1/8" = 1'-0"

**Notes:** - - - -



cardinalpools.com

This information is the confidential property of Cardinal Systems, Inc. Disclosure or duplication without proper written approval is strictly prohibited. Acceptance and use of this drawing constitutes knowledge and acceptance by the user of the terms and conditions set forth in the notice and warning which accompanied this drawing is incorporated herein and made part hereof and is found on Cardinal Systems, Inc's website at www.CardinalSystemsInc.com



**Pool Size:** 16' X 32'

**Pool Shape:** GOTHIC

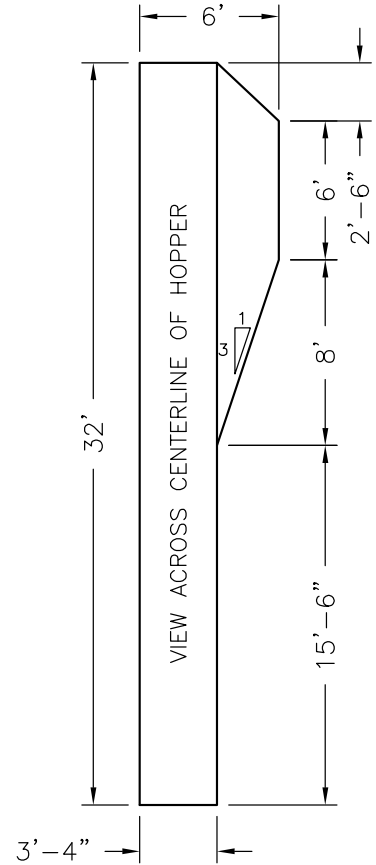
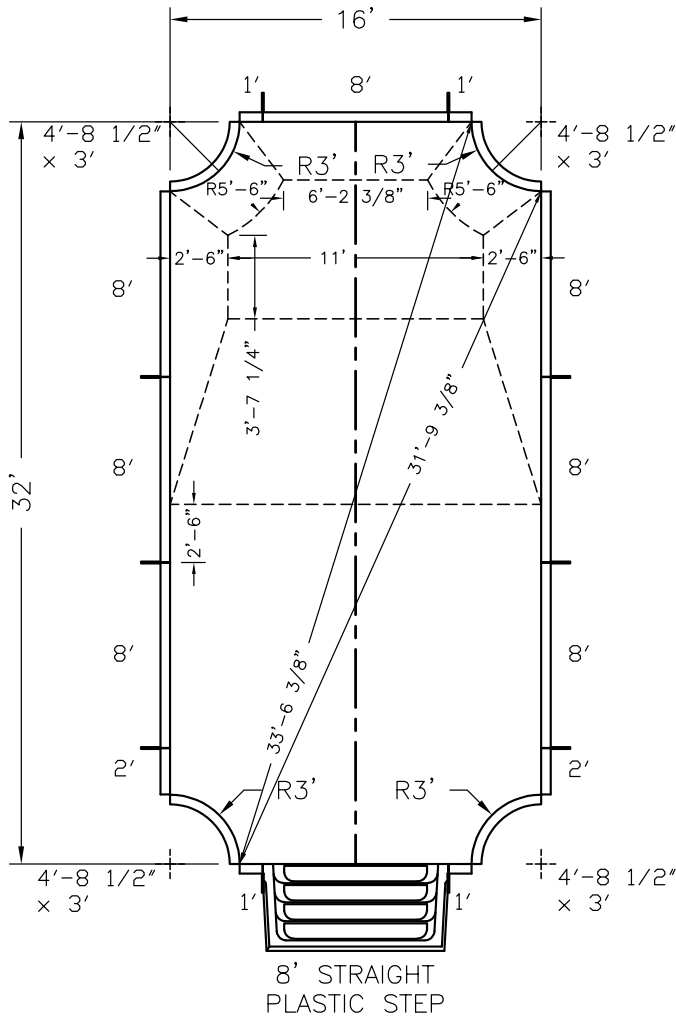
**Approx Gal:** 15,422

**Pool Number:** 1632GOTH3R (PLASTIC)


250 Route 61 South, Schuylkill Haven, PA 17972 • 570-385-4733 • fax: 570-385-1318 • CustomerService@CardinalSystemsinc.com

Bill of Materials

PART NO.	QUANTITY	DESCRIPTION
"A" FRAME	10	"A" FRAME ASSEMBLY
CS902SA	8	90 DEG CORNER ANGLE
5R42484XX03000	4	4'-8 1/2" x 3' Radius R PANEL W/0 Z
5S42100XXX0	4	1' Straight PANEL W/0 Z
5S42200XXX0	2	2' Straight PANEL W/0 Z
5S42800XXX2	7	8' Straight PANEL W/2 Z



NOTE: THIS IS A NON DIVING POOL.

<b>Date:</b> 5/10/2022	<b>Perimeter:</b> 90'-10 1/4"	 <small>cardinalpools.com</small>
<b>Drawn By:</b> AUSTIN K	<b>Area:</b> 483.8 SQ. FT.	
<b>Scale:</b> 1/8" = 1'-0"	<b>Notes:</b> -----	

This information is the confidential property of Cardinal Systems, Inc. Disclosure or duplication without proper written approval is strictly prohibited. Acceptance and use of this drawing constitutes knowledge and acceptance by the user of the terms and conditions set forth in the notice and warning which accompanied this drawing is incorporated herein and made part hereof and is found on Cardinal Systems, Inc's website at www.CardinalSystemsInc.com





**Pool Size:** 18' X 36'

**Pool Shape:** GOTHIC

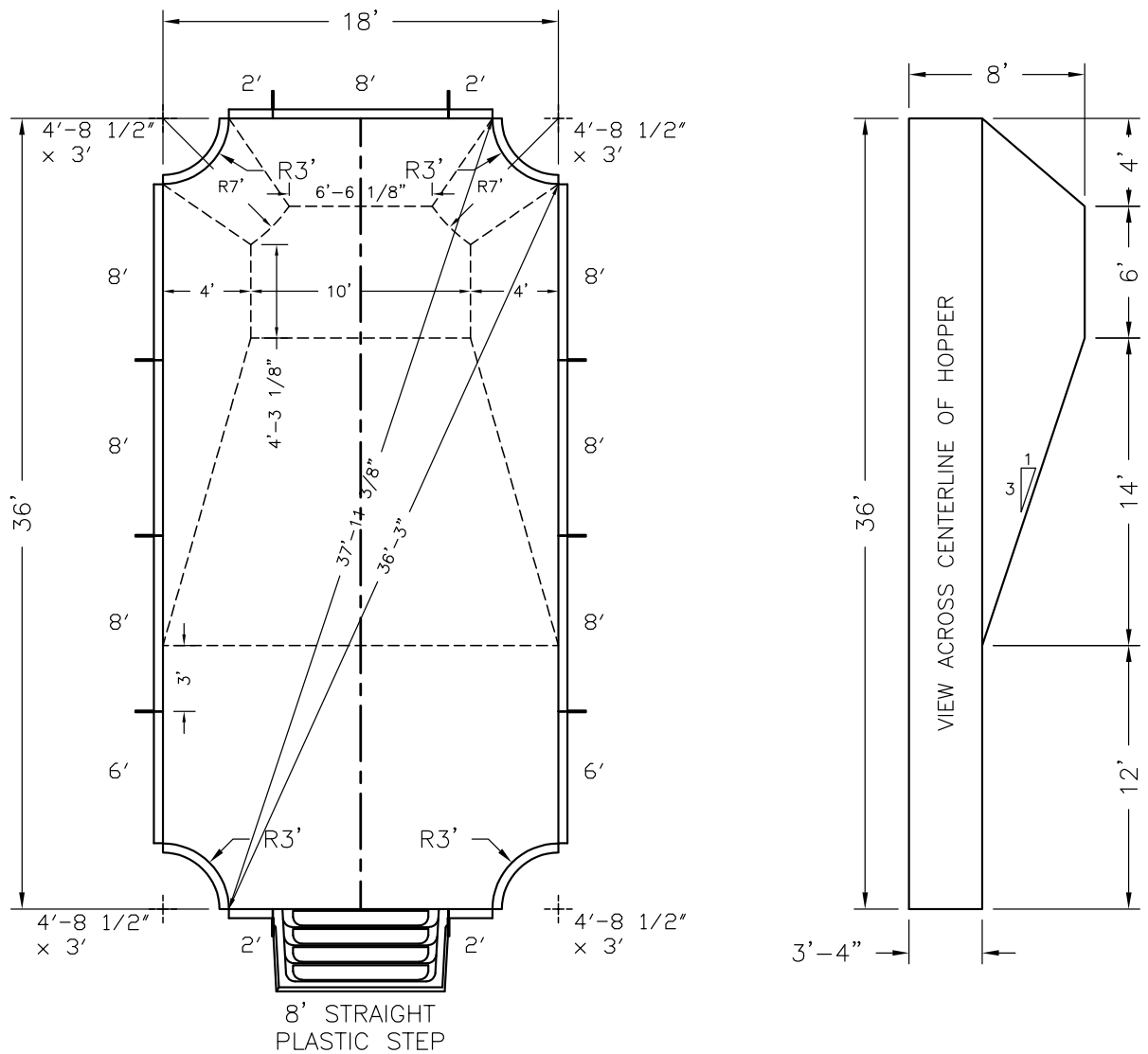
**Approx Gal:** 22,546

**Pool Number:** 1836GOTH3R (PLASTIC)

250 Route 61 South, Schuylkill Haven, PA 17972 • 570-385-4733 • fax: 570-385-1318 • CustomerService@CardinalSystemsinc.com

Bill of Materials

PART NO.	QUANTITY	DESCRIPTION
"A" FRAME	10	"A" FRAME ASSEMBLY
CS902SA	8	90 DEG CORNER ANGLE
5R42484XX03000	4	4'-8 1/2" x 3' Radius R PANEL W/0 Z
5S42200XXX0	4	2' Straight PANEL W/0 Z
5S42600XXX1	2	6' Straight PANEL W/1 Z
5S42800XXX2	7	8' Straight PANEL W/2 Z



**Date:** 5/10/2022

**Perimeter:** 102'-10 1/4"

**Drawn By:** AUSTIN K

**Area:** 619.8 SQ. FT.

**Scale:** 1/8" = 1'-0"

**Notes:** - - - -



cardinalpools.com

This information is the confidential property of Cardinal Systems, Inc. Disclosure or duplication without proper written approval is strictly prohibited. Acceptance and use of this drawing constitutes knowledge and acceptance by the user of the terms and conditions set forth in the notice and warning which accompanied this drawing is incorporated herein and made part hereof and is found on Cardinal Systems, Inc's website at www.CardinalSystemsInc.com



**Pool Size:** 20' X 40'

**Pool Shape:** GOTHIC

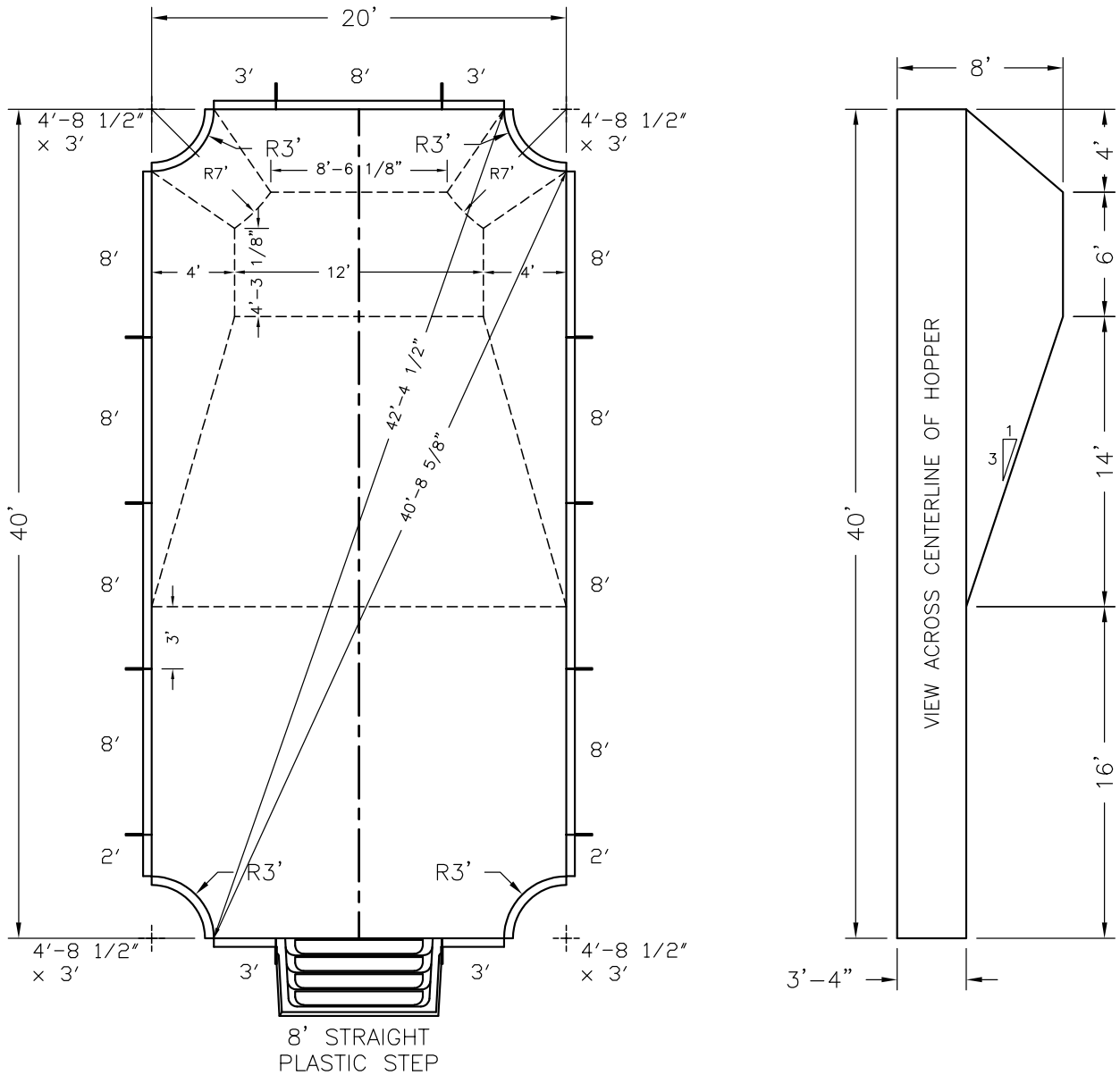
**Approx Gal:** 28,075

**Pool Number:** 2040GOTH3R (PLASTIC)

250 Route 61 South, Schuylkill Haven, PA 17972 • 570-385-4733 • fax: 570-385-1318 • CustomerService@CardinalSystemsinc.com

Bill of Materials

PART NO.	QUANTITY	DESCRIPTION
"A" FRAME	12	"A" FRAME ASSEMBLY
CS902SA	8	90 DEG CORNER ANGLE
5R42484XX03000	4	4'-8 1/2" x 3' Radius R PANEL W/0 Z
5S42200XXX0	2	2' Straight PANEL W/0 Z
5S42300XXX0	4	3' Straight PANEL W/0 Z
5S42800XXX2	9	8' Straight PANEL W/2 Z



**Date:** 5/10/2022

**Perimeter:** 114'-10 1/4"

**Drawn By:** AUSTIN K

**Area:** 771.8 SQ. FT.

**Scale:** 1/8" = 1'-0"

**Notes:** -----



cardinalpools.com

This information is the confidential property of Cardinal Systems, Inc. Disclosure or duplication without proper written approval is strictly prohibited. Acceptance and use of this drawing constitutes knowledge and acceptance by the user of the terms and conditions set forth in the notice and warning which accompanied this drawing is incorporated herein and made part hereof and is found on Cardinal Systems, Inc's website at www.CardinalSystemsInc.com



**Pool Size:** 16' X 32'

**Pool Shape:** GOTHIC

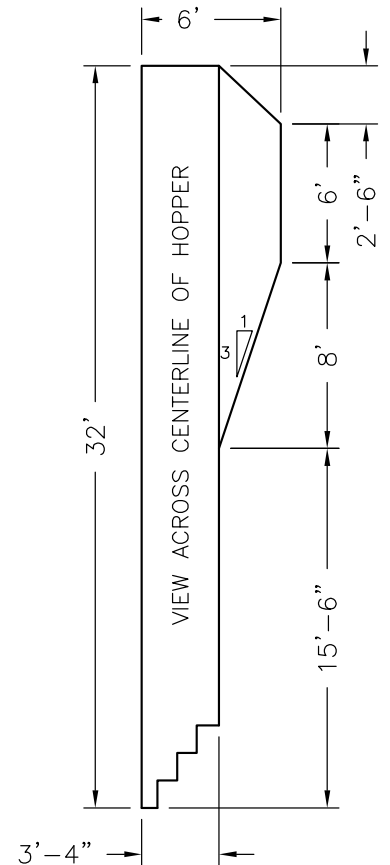
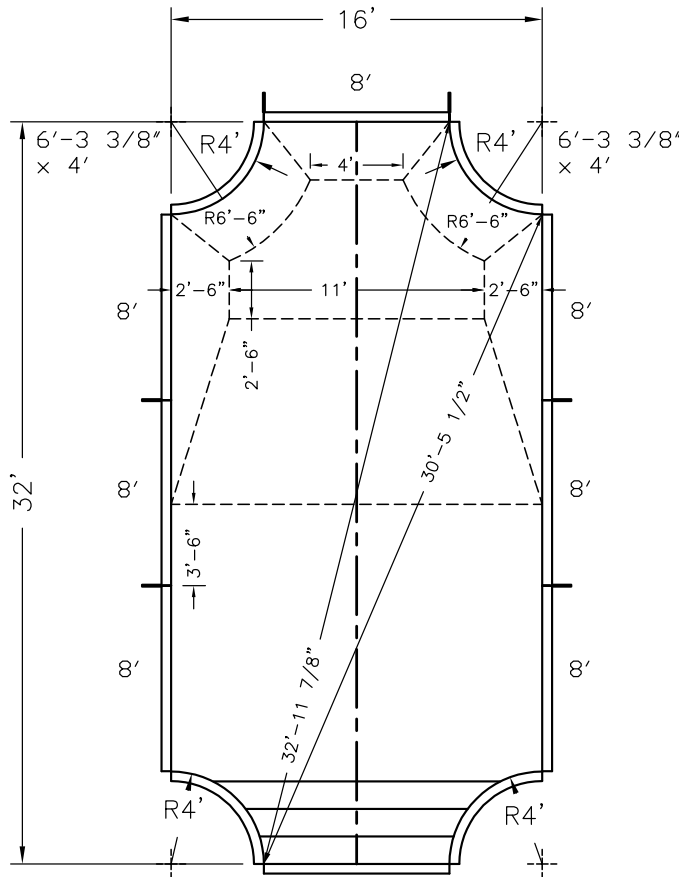
**Approx Gal:** 14,720

**Pool Number:** 1632GOTH4R (STEEL)

250 Route 61 South, Schuylkill Haven, PA 17972 • 570-385-4733 • fax: 570-385-1318 • CustomerService@CardinalSystemsinc.com

Bill of Materials

PART NO.	QUANTITY	DESCRIPTION
"A" FRAME	6	"A" FRAME ASSEMBLY
CS902SA	6	90 DEG CORNER ANGLE
S1243GN34240RX0	1	16' STEEL GOTHIC STEP W/4' RADIUS CORNERS W/LINER TRACK
5R42633XX04000	2	6'-3 3/8" x 4' Radius R PANEL W/O Z
5S42800XXX2	7	8' Straight PANEL W/2 Z



16' STEEL GOTHIC STEP  
W/4' RADIUS CORNERS  
W/LINER TRACK  
S1243GN34240RX0

NOTE: THIS IS A NON DIVING POOL.

<b>Date:</b> 5/10/2022	<b>Perimeter:</b> 89'-1 5/8"	
<b>Drawn By:</b> AUSTIN K	<b>Area:</b> 461.8 SQ. FT.	
<b>Scale:</b> 1/8" = 1'-0"	<b>Notes:</b> - - - -	

This information is the confidential property of Cardinal Systems, Inc. Disclosure or duplication without proper written approval is strictly prohibited. Acceptance and use of this drawing constitutes knowledge and acceptance by the user of the terms and conditions set forth in the notice and warning which accompanied this drawing is incorporated herein and made part hereof and is found on Cardinal Systems, Inc's website at www.CardinalSystemsInc.com



**Pool Size:** 18' X 36'

**Pool Shape:** GOTHIC

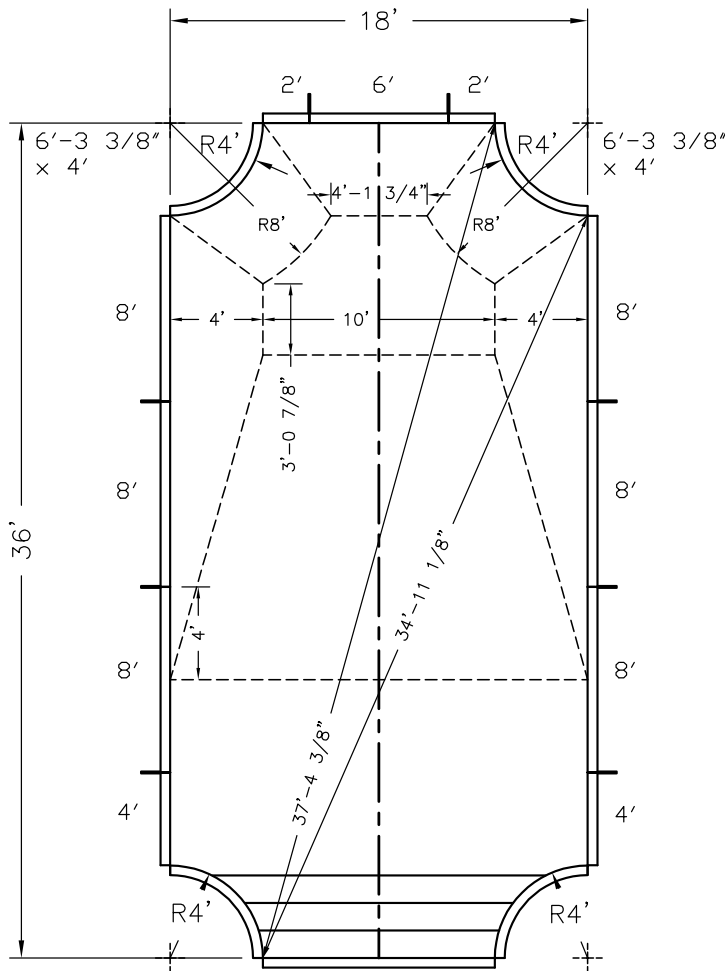
**Approx Gal:** 21,745

**Pool Number:** 1836GOTH4R (STEEL)

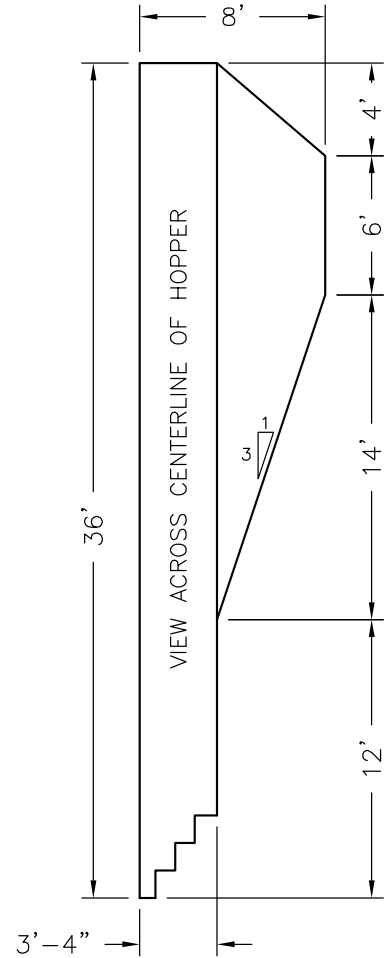
250 Route 61 South, Schuylkill Haven, PA 17972 • 570-385-4733 • fax: 570-385-1318 • CustomerService@CardinalSystemsinc.com

Bill of Materials

PART NO.	QUANTITY	DESCRIPTION
"A" FRAME	8	"A" FRAME ASSEMBLY
CS902SA	6	90 DEG CORNER ANGLE
S1443GN34240RX0	1	18' STEEL GOTHIC STEP W/4' RADIUS CORNERS W/LINER TRACK
5R42633XX04000	2	6'-3 3/8" x 4' Radius R PANEL W/0 Z
5S42200XXX0	2	2' Straight PANEL W/0 Z
5S42400XXX0	2	4' Straight PANEL W/0 Z
5S42600XXX1	1	6' Straight PANEL W/1 Z
5S42800XXX2	6	8' Straight PANEL W/2 Z



18' STEEL GOTHIC STEP  
W/4' RADIUS CORNERS  
W/LINER TRACK  
S1443GN34240RX0



**Date:** 5/10/2022

**Perimeter:** 101'-1 5/8"

**Drawn By:** AUSTIN K

**Area:** 597.8 SQ. FT.

**Scale:** 1/8" = 1'-0"

**Notes:** -----



cardinalpools.com

This information is the confidential property of Cardinal Systems, Inc. Disclosure or duplication without proper written approval is strictly prohibited. Acceptance and use of this drawing constitutes knowledge and acceptance by the user of the terms and conditions set forth in the notice and warning which accompanied this drawing is incorporated herein and made part hereof and is found on Cardinal Systems, Inc's website at www.CardinalSystemsInc.com



**Pool Size:** 20' X 40'

**Pool Shape:** GOTHIC

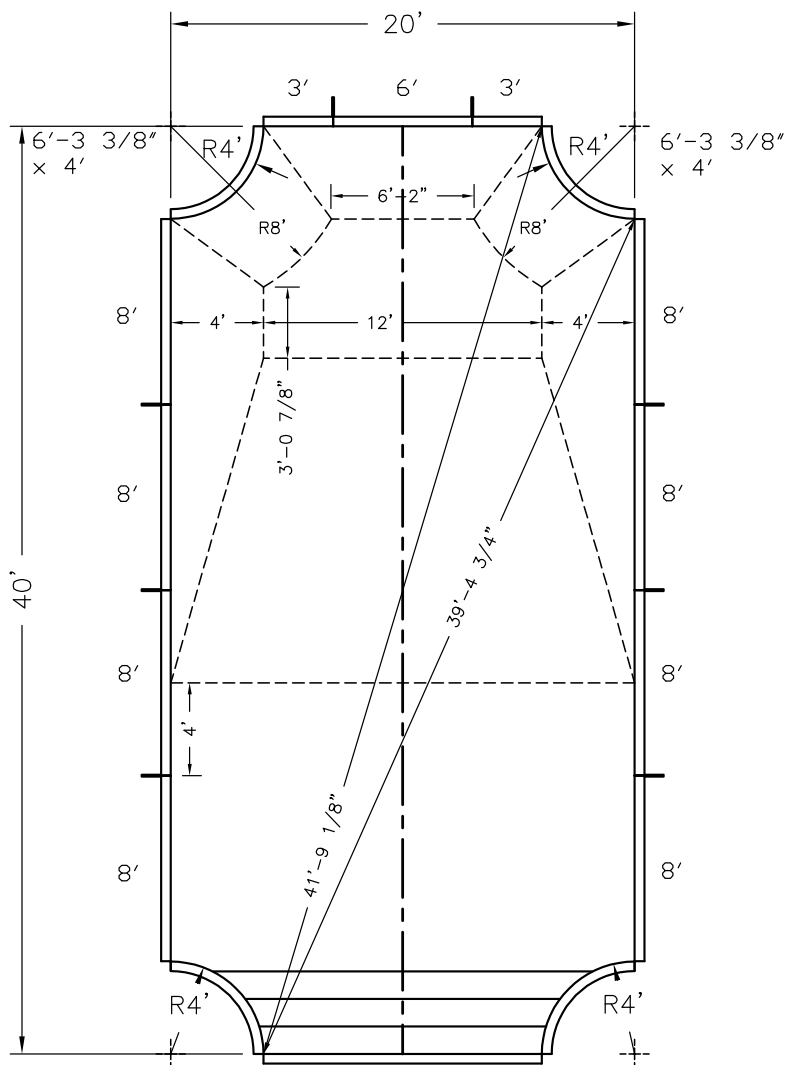
**Approx Gal:** 27,274

**Pool Number:** 2040GOTH4R (STEEL)

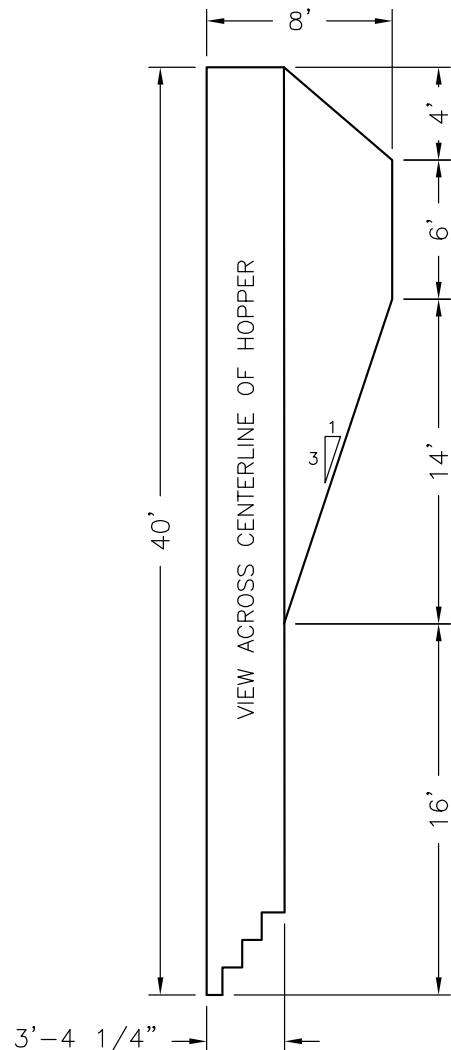
250 Route 61 South, Schuylkill Haven, PA 17972 • 570-385-4733 • fax: 570-385-1318 • CustomerService@CardinalSystemsinc.com

Bill of Materials

PART NO.	QUANTITY	DESCRIPTION
"A" FRAME	8	"A" FRAME ASSEMBLY
CS902SA	6	90 DEG CORNER ANGLE
S1643GN34240RX0	1	20' STEEL GOTHIC STEP W/4' RADIUS CORNERS W/LINER TRACK
5R42633XX04000	2	6'-3 3/8" x 4' Radius R PANEL W/O Z
5S42300XXX0	2	3' Straight PANEL W/O Z
5S42600XXX1	1	6' Straight PANEL W/1 Z
5S42800XXX2	8	8' Straight PANEL W/2 Z



20' STEEL GOTHIC STEP  
W/4' RADIUS CORNERS  
W/LINER TRACK  
S1643GN34240RX0



**Date:** 5/10/2022

**Perimeter:** 113'-1 5/8"

**Drawn By:** AUSTIN K

**Area:** 749.8 SQ. FT.

**Scale:** 1/8" = 1'-0"

**Notes:** - - - -



cardinalpools.com

This information is the confidential property of Cardinal Systems, Inc. Disclosure or duplication without proper written approval is strictly prohibited. Acceptance and use of this drawing constitutes knowledge and acceptance by the user of the terms and conditions set forth in the notice and warning which accompanied this drawing is incorporated herein and made part hereof and is found on Cardinal Systems, Inc's website at www.CardinalSystemsInc.com



**Pool Size:** 16' X 32'

**Pool Shape:** GOTHIC

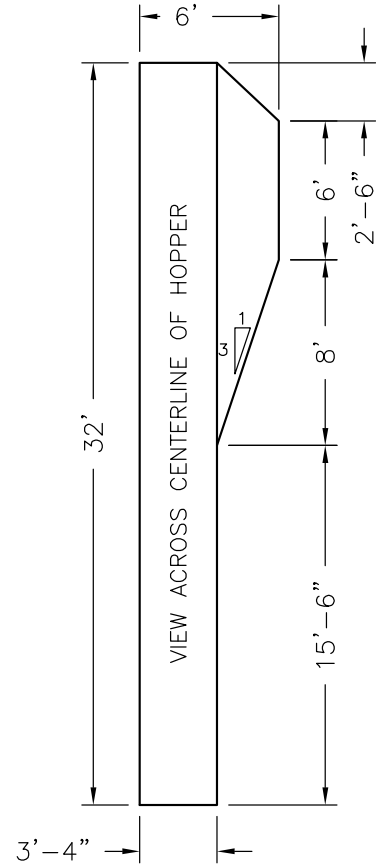
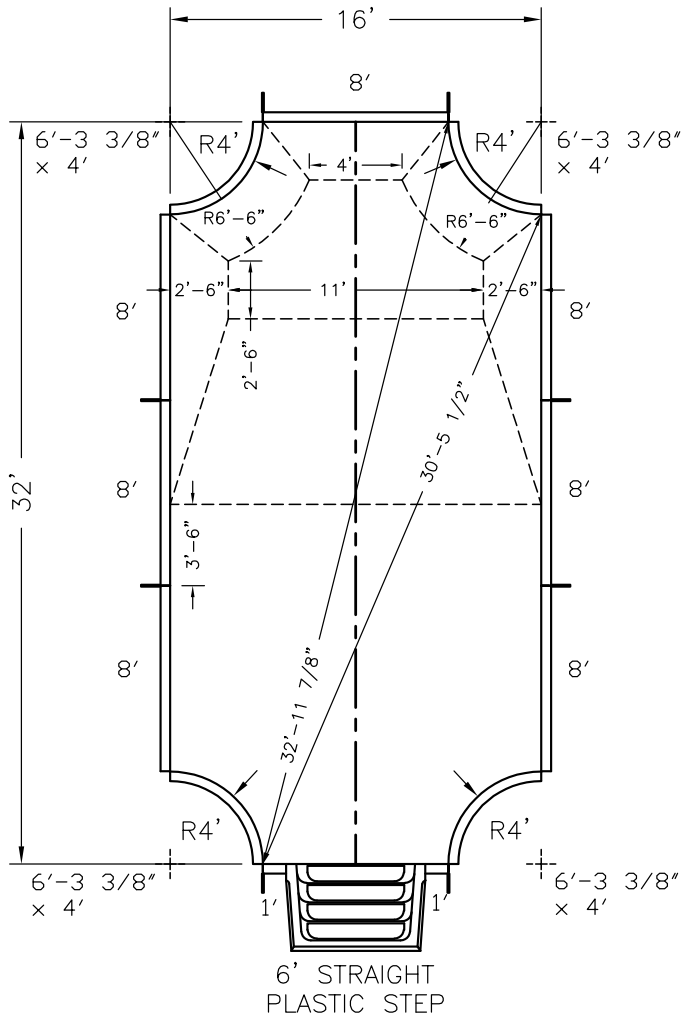
**Approx Gal:** 14,720

**Pool Number:** 1632GOTH4R (PLASTIC)

250 Route 61 South, Schuylkill Haven, PA 17972 • 570-385-4733 • fax: 570-385-1318 • CustomerService@CardinalSystemsinc.com

Bill of Materials

PART NO.	QUANTITY	DESCRIPTION
"A" FRAME	8	"A" FRAME ASSEMBLY
CS902SA	8	90 DEG CORNER ANGLE
5R42633XX04000	4	6'-3 3/8" x 4' Radius R PANEL W/0 Z
5S42100XXX0	2	1' Straight PANEL W/0 Z
5S42800XXX2	7	8' Straight PANEL W/2 Z



NOTE: THIS IS A NON DIVING POOL.

**Date:** 5/10/2022

**Perimeter:** 89'-1 5/8"

**Drawn By:** AUSTIN K

**Area:** 461.8 SQ. FT.

**Scale:** 1/8" = 1'-0"

**Notes:** -----



cardinalpools.com

This information is the confidential property of Cardinal Systems, Inc. Disclosure or duplication without proper written approval is strictly prohibited. Acceptance and use of this drawing constitutes knowledge and acceptance by the user of the terms and conditions set forth in the notice and warning which accompanied this drawing is incorporated herein and made part hereof and is found on Cardinal Systems, Inc's website at www.CardinalSystemsInc.com



**Pool Size:** 18' X 36'

**Pool Shape:** GOTHIC

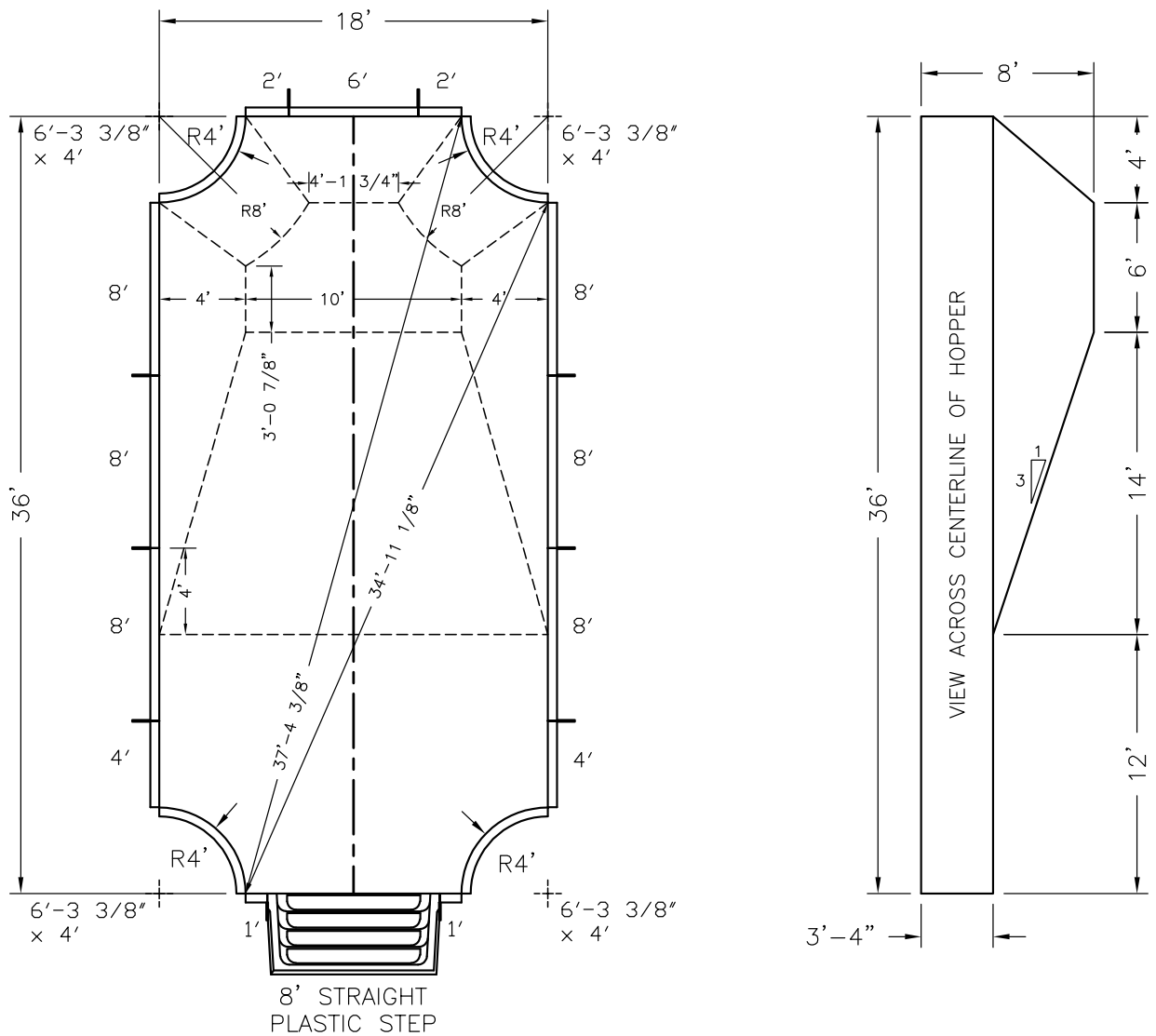
**Approx Gal:** 21,745

**Pool Number:** 1836GOTH4R (PLASTIC)

250 Route 61 South, Schuylkill Haven, PA 17972 • 570-385-4733 • fax: 570-385-1318 • CustomerService@CardinalSystemsinc.com

Bill of Materials

PART NO.	QUANTITY	DESCRIPTION
"A" FRAME	10	"A" FRAME ASSEMBLY
CS902SA	8	90 DEG CORNER ANGLE
5R42633XX04000	4	6'-3 3/8" x 4' Radius R PANEL W/0 Z
5S42100XXX0	2	1' Straight PANEL W/0 Z
5S42200XXX0	2	2' Straight PANEL W/0 Z
5S42400XXX0	2	4' Straight PANEL W/0 Z
5S42600XXX1	1	6' Straight PANEL W/1 Z
5S42800XXX2	6	8' Straight PANEL W/2 Z



**Date:** 5/10/2022

**Perimeter:** 101'-1 5/8"

**Drawn By:** AUSTIN K

**Area:** 597.8 SQ. FT.

**Scale:** 1/8" = 1'-0"

**Notes:** - - - -



cardinalpools.com

This information is the confidential property of Cardinal Systems, Inc. Disclosure or duplication without proper written approval is strictly prohibited. Acceptance and use of this drawing constitutes knowledge and acceptance by the user of the terms and conditions set forth in the notice and warning which accompanied this drawing is incorporated herein and made part hereof and is found on Cardinal Systems, Inc's website at www.CardinalSystemsInc.com

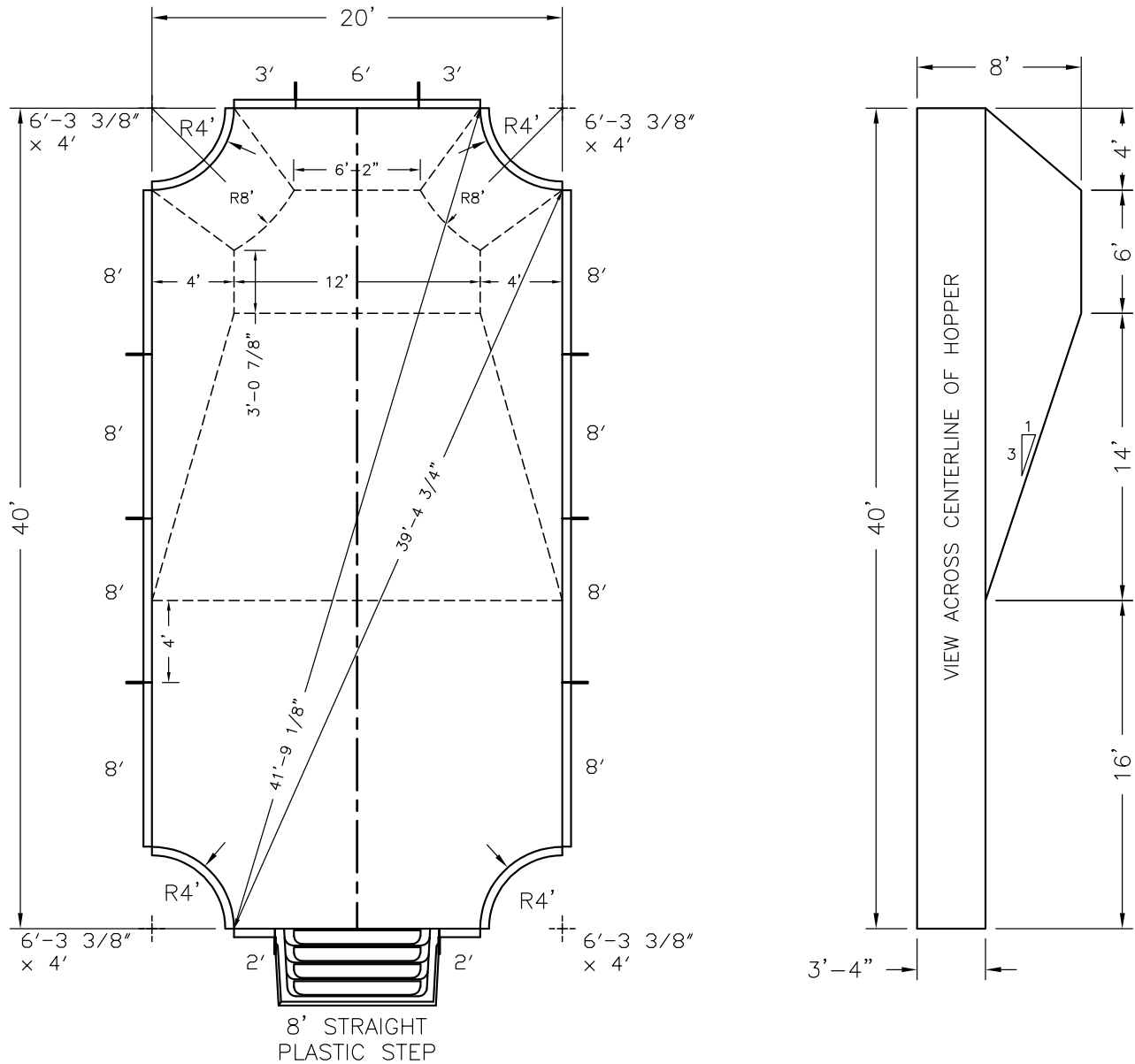


**Pool Size:** 20' X 40'  
**Pool Shape:** GOTHIC  
**Approx Gal:** 27274  
**Pool Number:** 2040GOTH4R (PLASTIC)

250 Route 61 South, Schuylkill Haven, PA 17972 • 570-385-4733 • fax: 570-385-1318 • CustomerService@CardinalSystemsinc.com

### Bill of Materials

PART NO.	QUANTITY	DESCRIPTION
"A" FRAME	10	"A" FRAME ASSEMBLY
CS902SA	8	90 DEG CORNER ANGLE
5R42633XX04000	4	6'-3 3/8" x 4' Radius R PANEL W/0 Z
5S42200XXX0	2	2' Straight PANEL W/0 Z
5S42300XXX0	2	3' Straight PANEL W/0 Z
5S42600XXX1	1	6' Straight PANEL W/1 Z
5S42800XXX2	8	8' Straight PANEL W/2 Z



**Date:** 5/10/2022

**Perimeter:** 113'-1 5/8"

**Drawn By:** AUSTIN K

**Area:** 749.8 SQ. FT.

**Scale:** 1/8" = 1'-0"

**Notes:** -----



cardinalpools.com

This information is the confidential property of Cardinal Systems, Inc. Disclosure or duplication without proper written approval is strictly prohibited. Acceptance and use of this drawing constitutes knowledge and acceptance by the user of the terms and conditions set forth in the notice and warning which accompanied this drawing is incorporated herein and made part hereof and is found on Cardinal Systems, Inc's website at www.CardinalSystemsInc.com





**Pool Size:** 16' X 32'

**Pool Shape:** GOTHIC

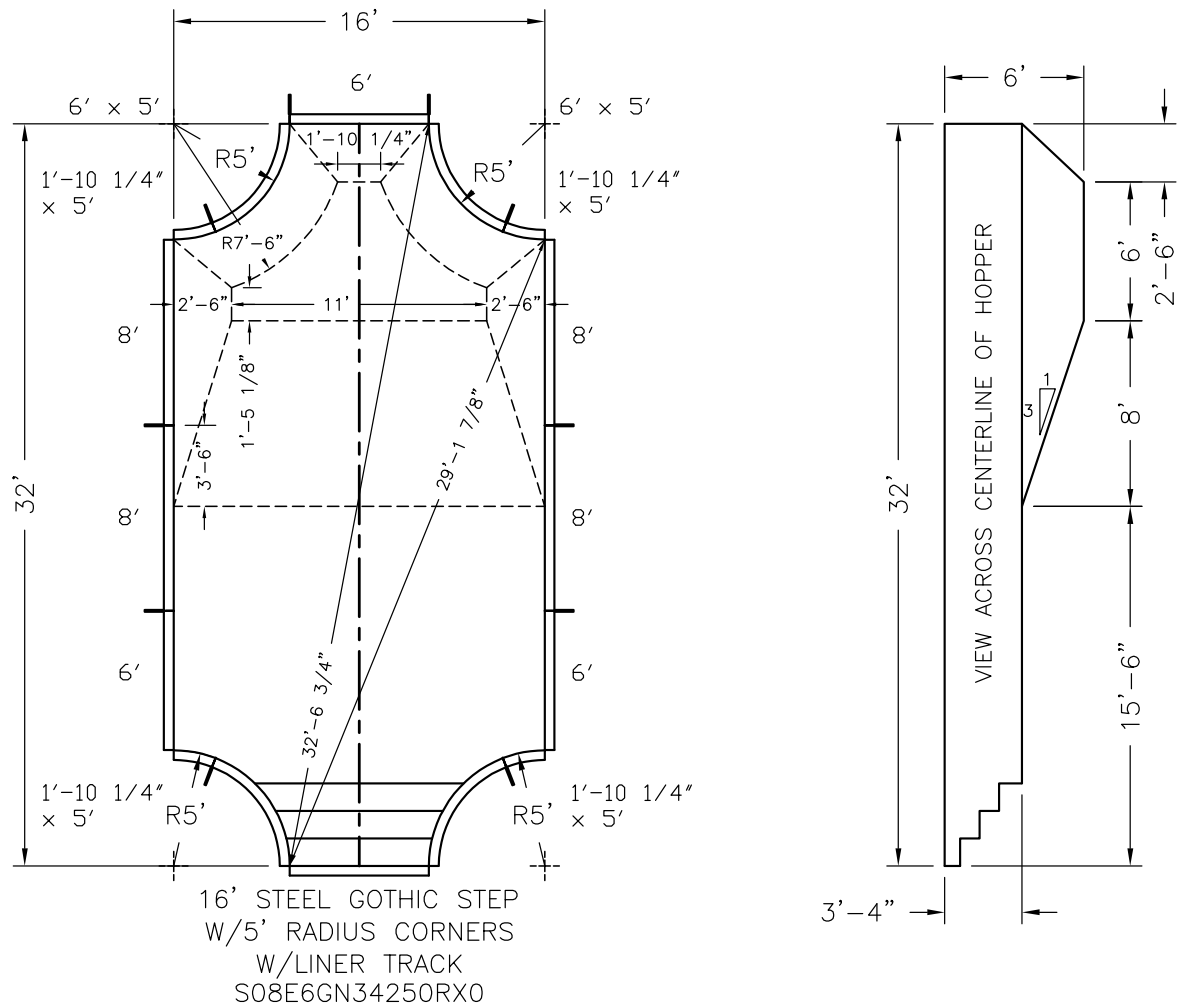
**Approx Gal:** 13,818

**Pool Number:** 1632GOTH5R (STEEL)

250 Route 61 South, Schuylkill Haven, PA 17972 • 570-385-4733 • fax: 570-385-1318 • CustomerService@CardinalSystemsinc.com

Bill of Materials

PART NO.	QUANTITY	DESCRIPTION
"A" FRAME	10	"A" FRAME ASSEMBLY
CS902SA	6	90 DEG CORNER ANGLE
S08E6GN34250RX0	1	16' STEEL GOTHIC STEP W/5' RADIUS CORNERS W/LINER TRACK
5R421T2XX05000	4	1'-10 1/4" x 5' Radius R PANEL W/0 Z
5R42600XX05000	2	6' x 5' Radius R PANEL W/0 Z
5S42600XXX1	3	6' Straight PANEL W/1 Z
5S42800XXX2	4	8' Straight PANEL W/2 Z



NOTE: THIS IS A NON DIVING POOL.

**Date:** 5/10/2022

**Perimeter:** 87'-5"

**Drawn By:** AUSTIN K

**Area:** 433.5 SQ. FT.

**Scale:** 1/8" = 1'-0"

**Notes:** - - - -



cardinalpools.com

This information is the confidential property of Cardinal Systems, Inc. Disclosure or duplication without proper written approval is strictly prohibited. Acceptance and use of this drawing constitutes knowledge and acceptance by the user of the terms and conditions set forth in the notice and warning which accompanied this drawing is incorporated herein and made part hereof and is found on Cardinal Systems, Inc's website at www.CardinalSystemsInc.com



**Pool Size:** 18' X 36'

**Pool Shape:** GOTHIC

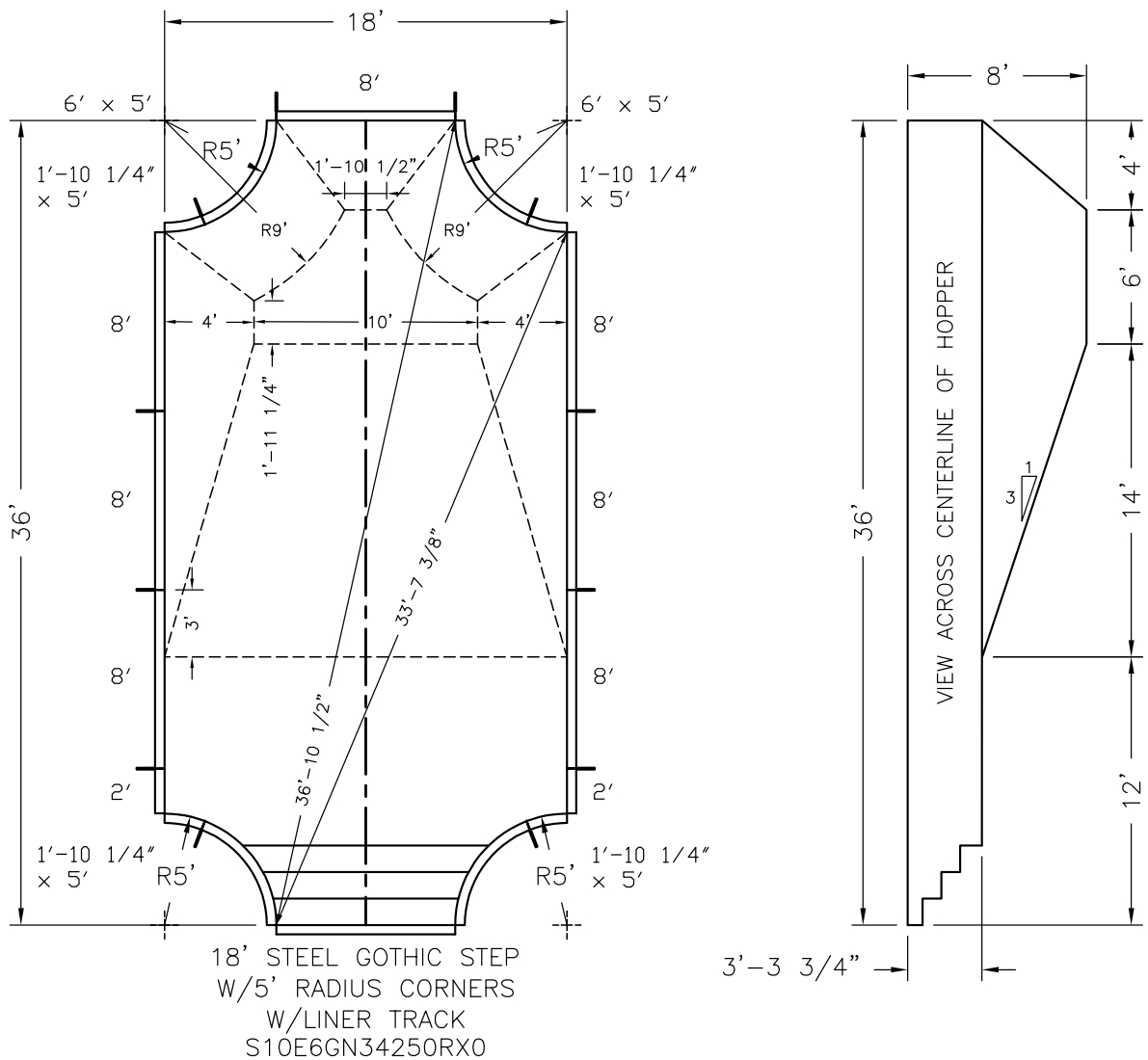
**Approx Gal:** 20,716

**Pool Number:** 1836GOTH5R (STEEL)

250 Route 61 South, Schuylkill Haven, PA 17972 • 570-385-4733 • fax: 570-385-1318 • CustomerService@CardinalSystemsinc.com

Bill of Materials

PART NO.	QUANTITY	DESCRIPTION
"A" FRAME	12	"A" FRAME ASSEMBLY
CS902SA	6	90 DEG CORNER ANGLE
S10E6GN34250RX0	1	18' STEEL GOTHIC STEP W/5' RADIUS CORNERS W/LINER TRACK
5R421T2XX05000	4	1'-10 1/4" x 5' Radius R PANEL W/0 Z
5R42600XX05000	2	6' x 5' Radius R PANEL W/0 Z
5S42200XXX0	2	2' Straight PANEL W/0 Z
5S42800XXX2	7	8' Straight PANEL W/2 Z



<b>Date:</b> 5/10/2022	<b>Perimeter:</b> 99'-5"
<b>Drawn By:</b> AUSTIN K	<b>Area:</b> 569.5 SQ. FT.
<b>Scale:</b> 1/8" = 1'-0"	<b>Notes:</b> -----



This information is the confidential property of Cardinal Systems, Inc. Disclosure or duplication without proper written approval is strictly prohibited. Acceptance and use of this drawing constitutes knowledge and acceptance by the user of the terms and conditions set forth in the notice and warning which accompanied this drawing is incorporated herein and made part hereof and is found on Cardinal Systems, Inc's website at www.CardinalSystemsInc.com



**Pool Size:** 20' X 40'

**Pool Shape:** GOTHIC

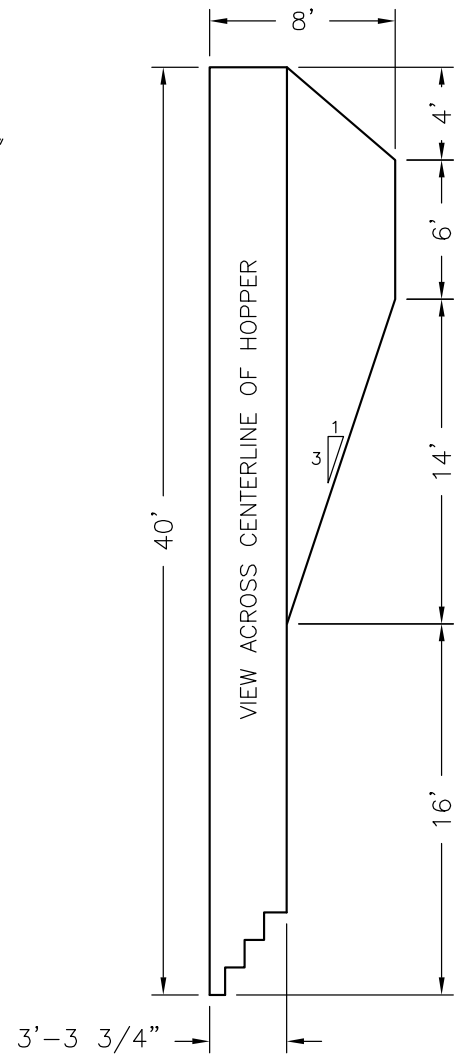
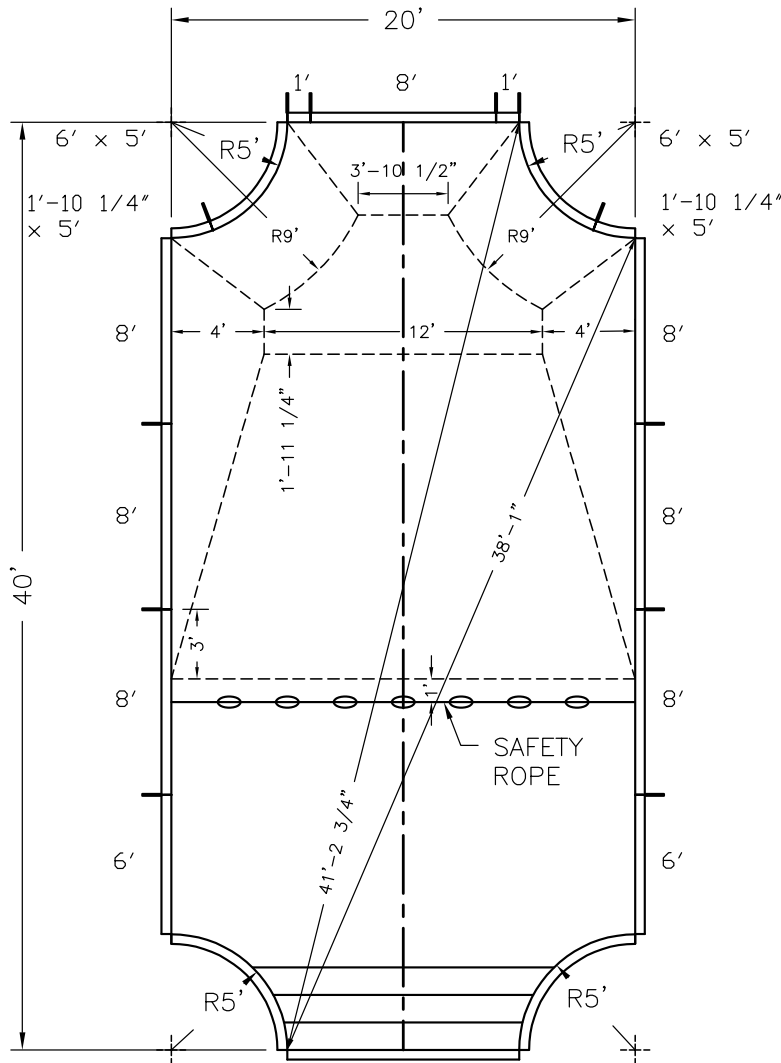
**Approx Gal:** 26,245

**Pool Number:** 2040GOTH5R (STEEL)

250 Route 61 South, Schuylkill Haven, PA 17972 • 570-385-4733 • fax: 570-385-1318 • CustomerService@CardinalSystemsinc.com

Bill of Materials

PART NO.	QUANTITY	DESCRIPTION
"A" FRAME	12	"A" FRAME ASSEMBLY
CS902SA	6	90 DEG CORNER ANGLE
S12E6GN34250RX0	1	20' STEEL GOTHIC STEP W/5' RADIUS CORNERS W/LINER TRACK
5R421T2XX05000	2	1'-10 1/4" x 5' Radius R PANEL W/0 Z
5R42600XX05000	2	6' x 5' Radius R PANEL W/0 Z
5S42100XXX0	2	1' Straight PANEL W/0 Z
5S42600XXX1	2	6' Straight PANEL W/1 Z
5S42800XXX2	7	8' Straight PANEL W/2 Z



20' STEEL GOTHIC STEP  
W/5' RADIUS CORNERS  
W/LINER TRACK  
S12E6GN34250RX0

**Date:** 5/10/2022

**Perimeter:** 111'-5"

**Drawn By:** AUSTIN K

**Area:** 721.5 SQ. FT.

**Scale:** 1/8" = 1'-0"

**Notes:** - - - -



cardinalpools.com

This information is the confidential property of Cardinal Systems, Inc. Disclosure or duplication without proper written approval is strictly prohibited. Acceptance and use of this drawing constitutes knowledge and acceptance by the user of the terms and conditions set forth in the notice and warning which accompanied this drawing is incorporated herein and made part hereof and is found on Cardinal Systems, Inc's website at www.CardinalSystemsInc.com



**Pool Size:** 16' X 32'

**Pool Shape:** GOTHIC

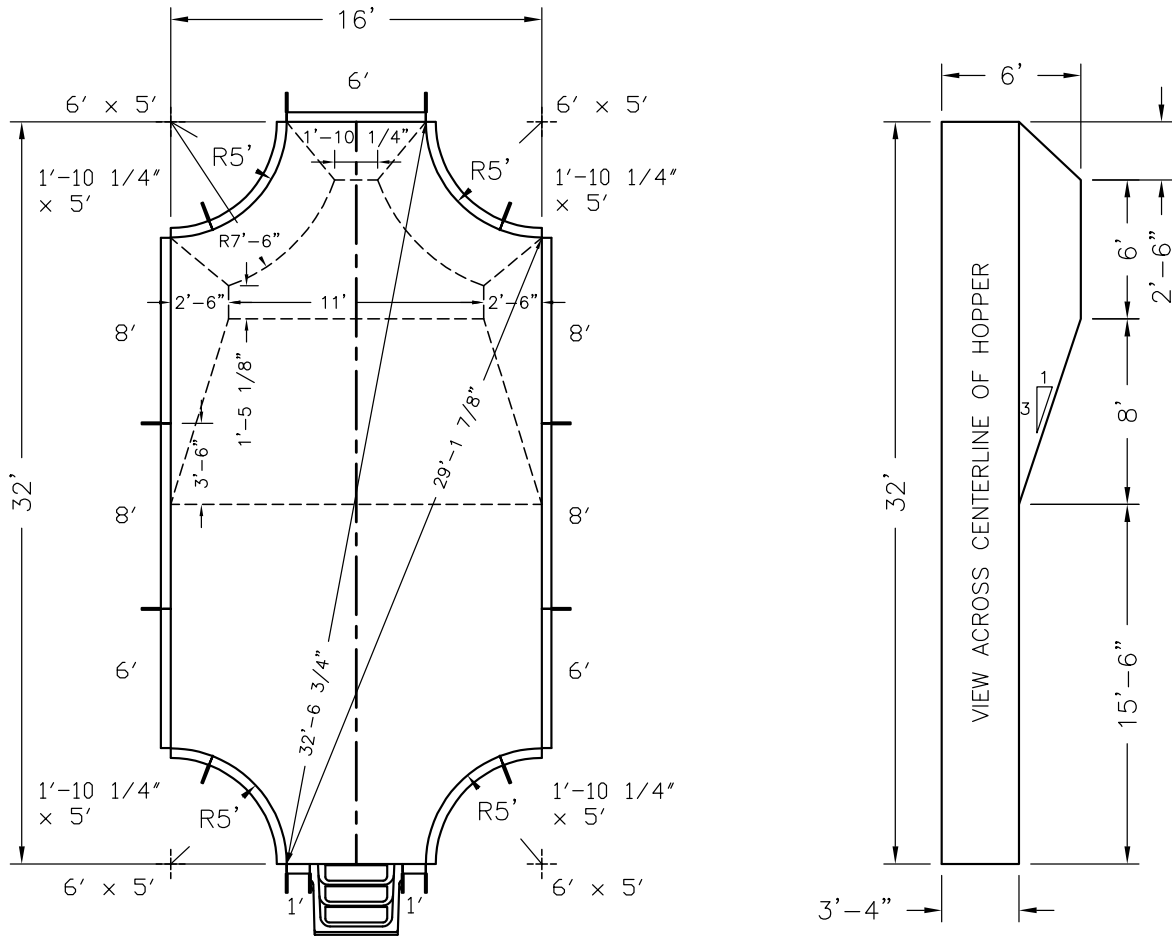
**Approx Gal:** 13,818

**Pool Number:** 1632GOTH5R (PLASTIC)

250 Route 61 South, Schuylkill Haven, PA 17972 • 570-385-4733 • fax: 570-385-1318 • CustomerService@CardinalSystemsinc.com

Bill of Materials

PART NO.	QUANTITY	DESCRIPTION
"A" FRAME	14	"A" FRAME ASSEMBLY
CS902SA	8	90 DEG CORNER ANGLE
5R421T2XX05000	4	1'-10 1/4" x 5' Radius R PANEL W/0 Z
5R42600XX05000	4	6' x 5' Radius R PANEL W/0 Z
5S42100XXX0	2	1' Straight PANEL W/0 Z
5S42600XXX1	3	6' Straight PANEL W/1 Z
5S42800XXX2	4	8' Straight PANEL W/2 Z



4' STRAIGHT PLASTIC STEP

NOTE: THIS IS A NON DIVING POOL.

Date: 5/10/2022

Perimeter: 87'-5"

Drawn By: AUSTIN K

Area: 433.5 SQ. FT.

Scale: 1/8" = 1'-0"

Notes: -----



cardinalpools.com

This information is the confidential property of Cardinal Systems, Inc. Disclosure or duplication without proper written approval is strictly prohibited. Acceptance and use of this drawing constitutes knowledge and acceptance by the user of the terms and conditions set forth in the notice and warning which accompanied this drawing is incorporated herein and made part hereof and is found on Cardinal Systems, Inc's website at www.CardinalSystemsInc.com



**Pool Size:** 18' X 36'

**Pool Shape:** GOTHIC

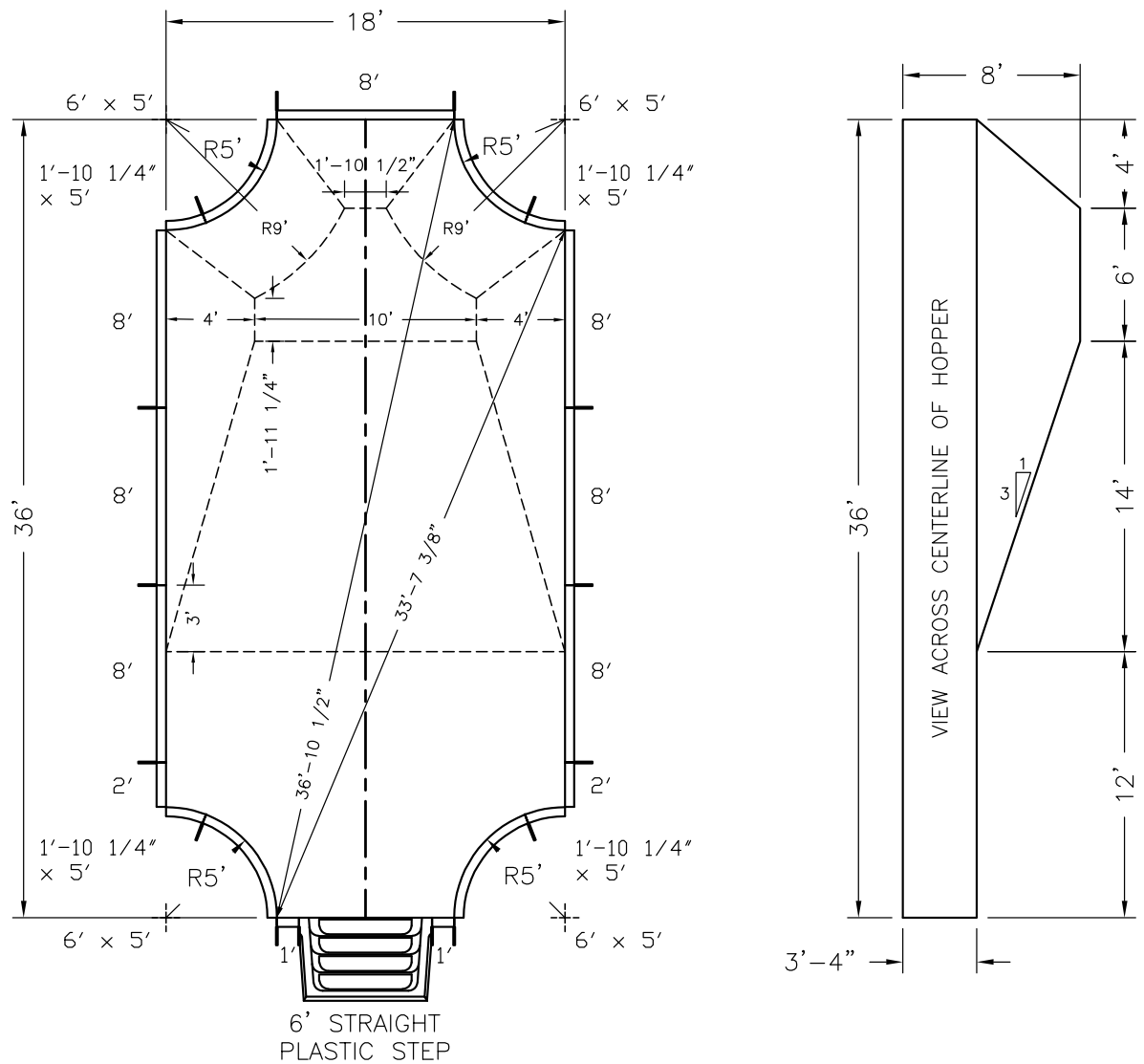
**Approx Gal:** 20,716

**Pool Number:** 1836GOTH5R (PLASTIC)

250 Route 61 South, Schuylkill Haven, PA 17972 • 570-385-4733 • fax: 570-385-1318 • CustomerService@CardinalSystemsinc.com

Bill of Materials

PART NO.	QUANTITY	DESCRIPTION
"A" FRAME	16	"A" FRAME ASSEMBLY
CS902SA	8	90 DEG CORNER ANGLE
5R421T2XX05000	4	1'-10 1/4" x 5' Radius R PANEL W/0 Z
5R42600XX05000	4	6' x 5' Radius R PANEL W/0 Z
5S42100XXX0	2	1' Straight PANEL W/0 Z
5S42200XXX0	2	2' Straight PANEL W/0 Z
5S42800XXX2	7	8' Straight PANEL W/2 Z



**Date:** 5/10/2022

**Perimeter:** 99'-5"

**Drawn By:** AUSTIN K

**Area:** 569.5 SQ. FT.

**Scale:** 1/8" = 1'-0"

**Notes:** - - - -



cardinalpools.com

This information is the confidential property of Cardinal Systems, Inc. Disclosure or duplication without proper written approval is strictly prohibited. Acceptance and use of this drawing constitutes knowledge and acceptance by the user of the terms and conditions set forth in the notice and warning which accompanied this drawing is incorporated herein and made part hereof and is found on Cardinal Systems, Inc's website at www.CardinalSystemsInc.com



**Pool Size:** 20' X 40'

**Pool Shape:** GOTHIC

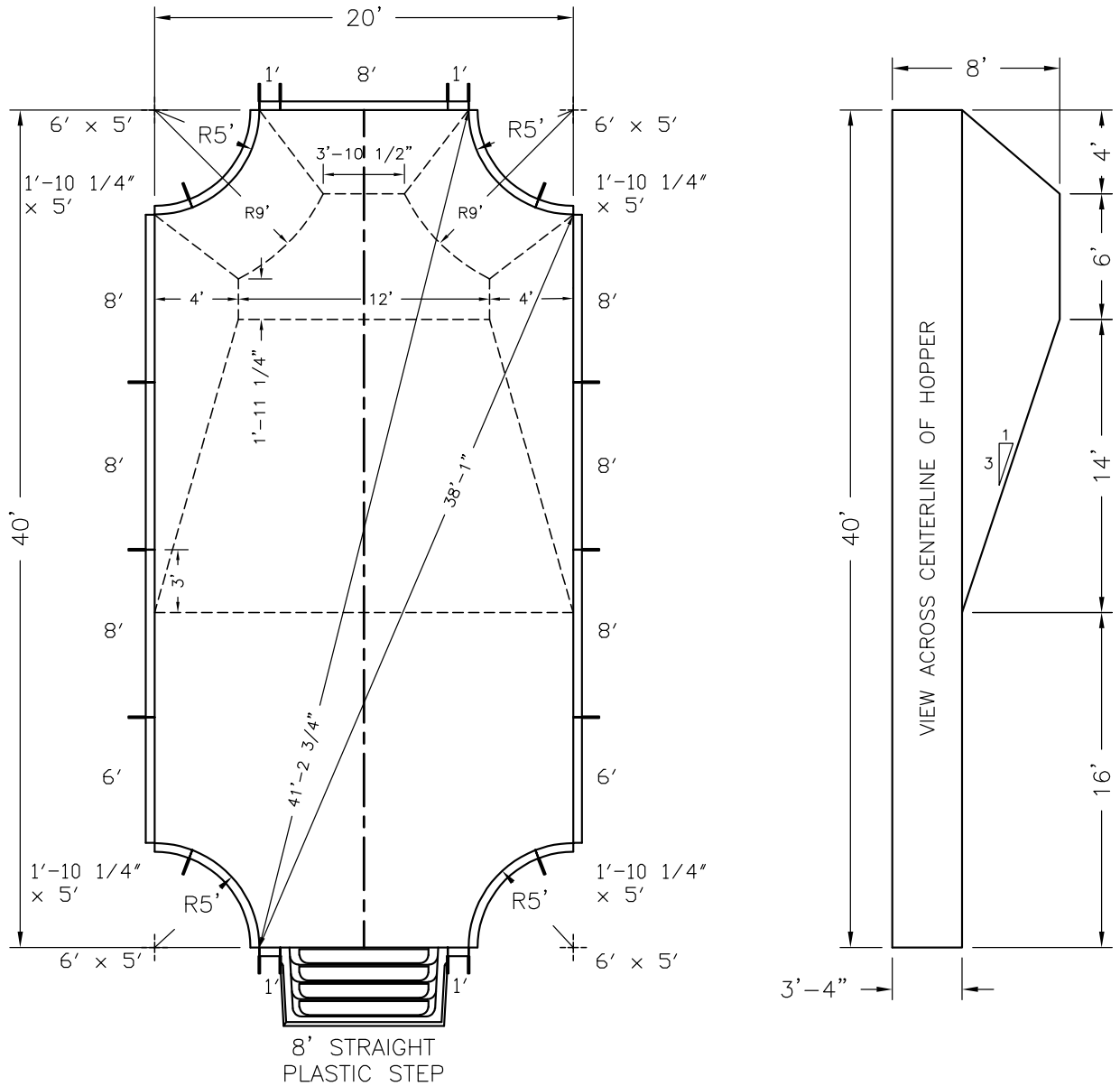
**Approx Gal:** 26,245


**Pool Number:** 2040GOTH5R (PLASTIC)

250 Route 61 South, Schuylkill Haven, PA 17972 • 570-385-4733 • fax: 570-385-1318 • CustomerService@CardinalSystemsinc.com

Bill of Materials

PART NO.	QUANTITY	DESCRIPTION
"A" FRAME	18	"A" FRAME ASSEMBLY
CS902SA	8	90 DEG CORNER ANGLE
5R421T2XX05000	4	1'-10 1/4" x 5' Radius R PANEL W/0 Z
5R42600XX05000	4	6' x 5' Radius R PANEL W/0 Z
5S42100XXX0	4	1' Straight PANEL W/0 Z
5S42600XXX1	2	6' Straight PANEL W/1 Z
5S42800XXX2	7	8' Straight PANEL W/2 Z



<b>Date:</b> 5/10/2022	<b>Perimeter:</b> 111'-5"	 <small>cardinalpools.com</small>
<b>Drawn By:</b> AUSTIN K	<b>Area:</b> 721.5 SQ. FT.	
<b>Scale:</b> 1/8" = 1'-0"	<b>Notes:</b> -----	

This information is the confidential property of Cardinal Systems, Inc. Disclosure or duplication without proper written approval is strictly prohibited. Acceptance and use of this drawing constitutes knowledge and acceptance by the user of the terms and conditions set forth in the notice and warning which accompanied this drawing is incorporated herein and made part hereof and is found on Cardinal Systems, Inc's website at [www.CardinalSystemsInc.com](http://www.CardinalSystemsInc.com)

# DOUBLE RECTANGLE

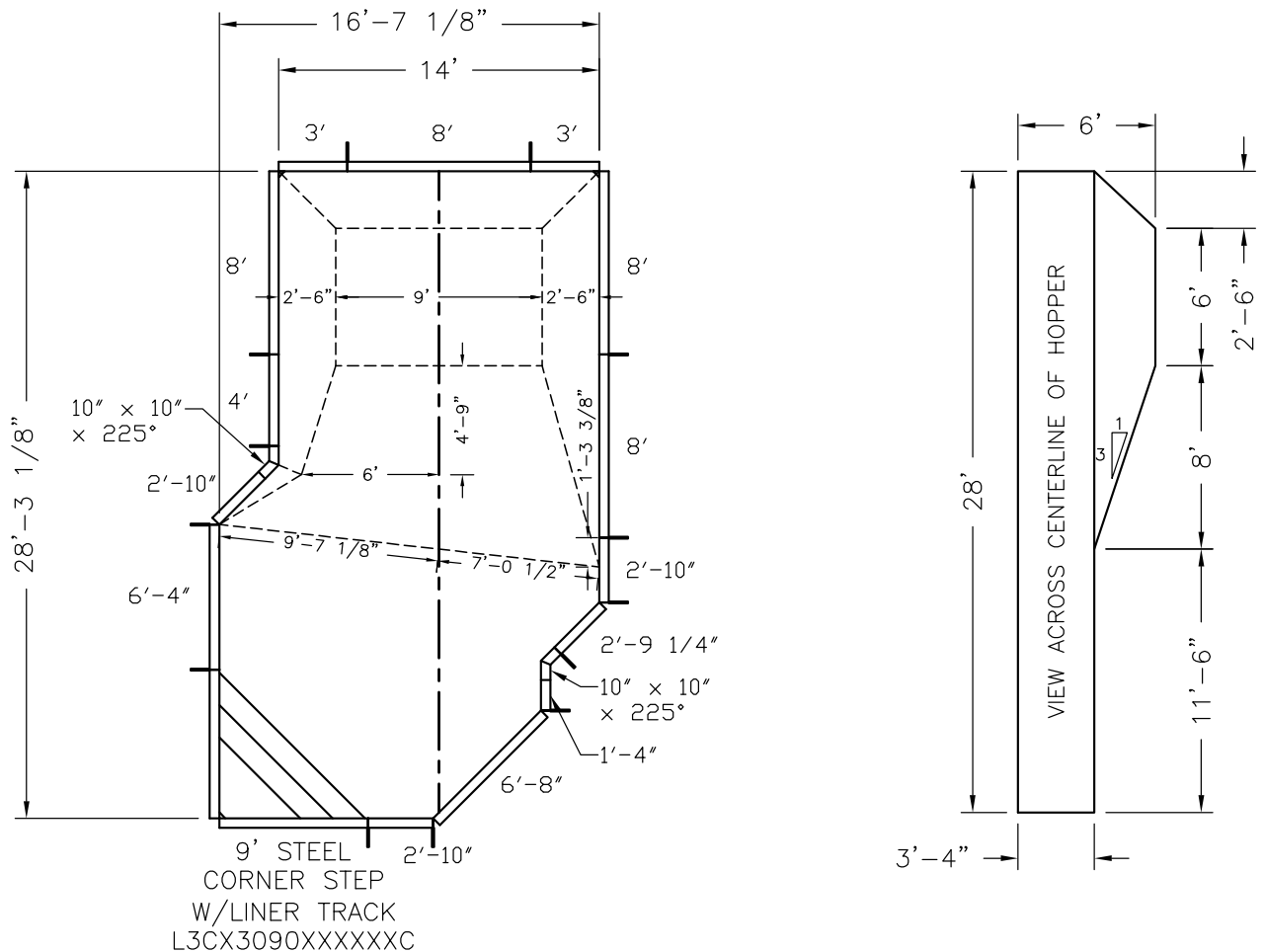


**Pool Size:** 14' X 28' **Approx Gal:** 12,763  
**Pool Shape:** DOUBLE RECTANGLE  
**Pool Number:** 1428DR (STEEL)

250 Route 61 South, Schuylkill Haven, PA 17972 • 570-385-4733 • fax: 570-385-1318 • CustomerService@CardinalSystemsinc.com

## Bill of Materials

PART NO.	QUANTITY	DESCRIPTION
"A" FRAME	13	"A" FRAME ASSEMBLY
CS901GC	4	GRECIAN CORNER ANGLE
CS902SA	2	90 DEG CORNER ANGLE
CS902SB	2	6" RAD CORNER FILLER "BIG VEE"
L3CX3090XXXXXXC	1	9' STEEL CORNER STEP W/LINER TRACK
5S42140XXX0	1	1'-4" Straight PANEL W/0 Z
5S42292XXX0	1	2'-9 1/4" Straight PANEL W/0 Z
5S422T0XXX0	3	2'-10" Straight PANEL W/0 Z
5S42300XXX0	2	3' Straight PANEL W/0 Z
5S42400XXX0	1	4' Straight PANEL W/0 Z
5S42640XXX2	1	6'-4" Straight PANEL W/2 Z
5S42680XXX2	1	6'-8" Straight PANEL W/2 Z
5S42800XXX2	4	8' Straight PANEL W/2 Z
5T420T02250T0	2	T" x T" x 225° ELL



NOTE: THIS IS A NON DIVING POOL.

Date: 5/10/2022

Perimeter: 83'-11 1/4"

Drawn By: AUSTIN K

Area: 400.4 SQ. FT.

Scale: 1/8" = 1'-0"

Notes: -----



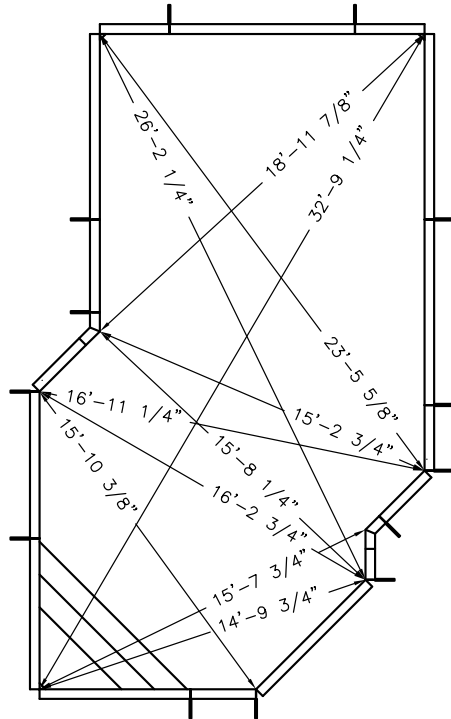
cardinalpools.com

This Information Is the confidential property of Cardinal Systems, Inc. Disclosure or duplication without proper written approval is strictly prohibited. Acceptance and use of this drawing constitutes knowledge and acceptance by the user of the terms and conditions set forth in the notice and warning which accompanied this drawing is incorporated herein and made part hereof and is found on Cardinal Systems, Inc's website at www.CardinalSystemsinc.com



**Pool Size:** 14' X 28' **Approx Gal:** 12,763  
**Pool Shape:** DOUBLE RECTANGLE  
**Pool Number:** 1428DR (STEEL)

250 Route 61 South, Schuylkill Haven, PA 17972 • 570-385-4733 • fax: 570-385-1318 • CustomerService@CardinalSystemsInc.com



**Date:** 5/10/2022

**Drawn By:** AUSTIN K

**Scale:** 1/8" = 1'-0"

**Perimeter:** 83'-11 1/4"

**Area:** 400.4 SQ. FT.

**Notes:** -----



cardinalpools.com

This information is the confidential property of Cardinal Systems, Inc. Disclosure or duplication without proper written approval is strictly prohibited. Acceptance and use of this drawing constitutes knowledge and acceptance by the user of the terms and conditions set forth in the notice and warning which accompanied this drawing is incorporated herein and made part hereof and is found on Cardinal Systems, Inc's website at [www.CardinalSystemsInc.com](http://www.CardinalSystemsInc.com)



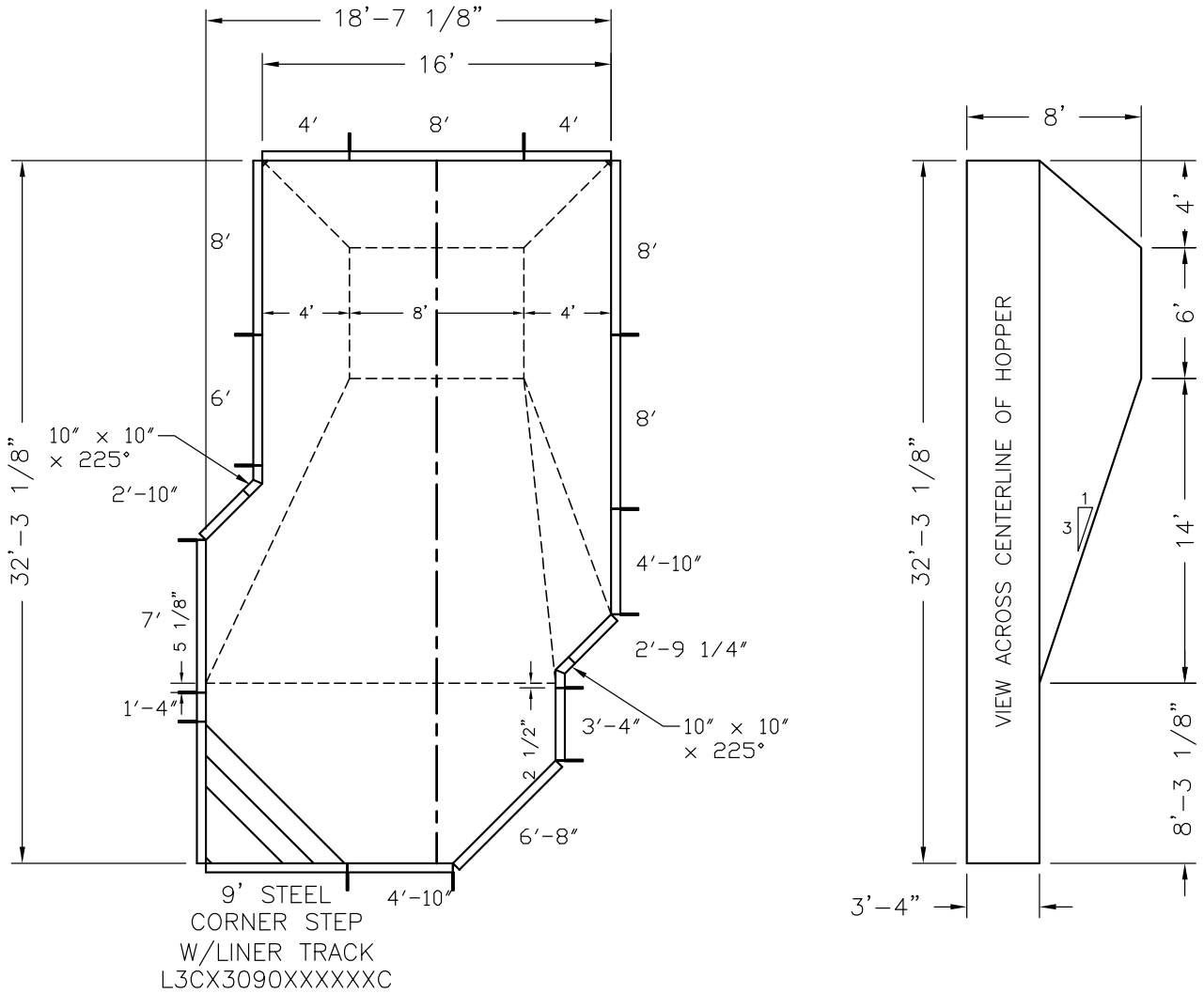


**Pool Size:** 16' X 32' **Approx Gal:** 18,956  
**Pool Shape:** DOUBLE RECTANGLE  
**Pool Number:** 1632DR (STEEL)

250 Route 61 South, Schuylkill Haven, PA 17972 • 570-385-4733 • fax: 570-385-1318 • CustomerService@CardinalSystemsinc.com

Bill of Materials

PART NO.	QUANTITY	DESCRIPTION
"A" FRAME	14	"A" FRAME ASSEMBLY
CS901GC	4	GRECIAN CORNER ANGLE
CS902SA	2	90 DEG CORNER ANGLE
CS902SB	2	6" RAD CORNER FILLER "BIG VEE"
L3CX3090XXXXXC	1	9' STEEL CORNER STEP W/LINER TRACK
5S42140XXX0	1	1'-4" Straight PANEL W/0 Z
5S42292XXX0	1	2'-9 1/4" Straight PANEL W/0 Z
5S42210XXX0	1	2'-10" Straight PANEL W/0 Z
5S42340XXX0	1	3'-4" Straight PANEL W/0 Z
5S42400XXX0	2	4" Straight PANEL W/0 Z
5S42410XXX0	2	4'-10" Straight PANEL W/0 Z
5S42600XXX1	1	6" Straight PANEL W/1 Z
5S42680XXX1	1	6'-8" Straight PANEL W/1 Z
5S42700XXX2	1	7" Straight PANEL W/2 Z
5S42800XXX2	4	8" Straight PANEL W/2 Z
5T420T02250T0	2	T" x T" x 225° ELL



**Date:** 5/10/2022

**Perimeter:** 95'-11 1/4"

**Drawn By:** AUSTIN K

**Area:** 521.1 SQ. FT.

**Scale:** 1/8" = 1'-0"

**Notes:** - - - -



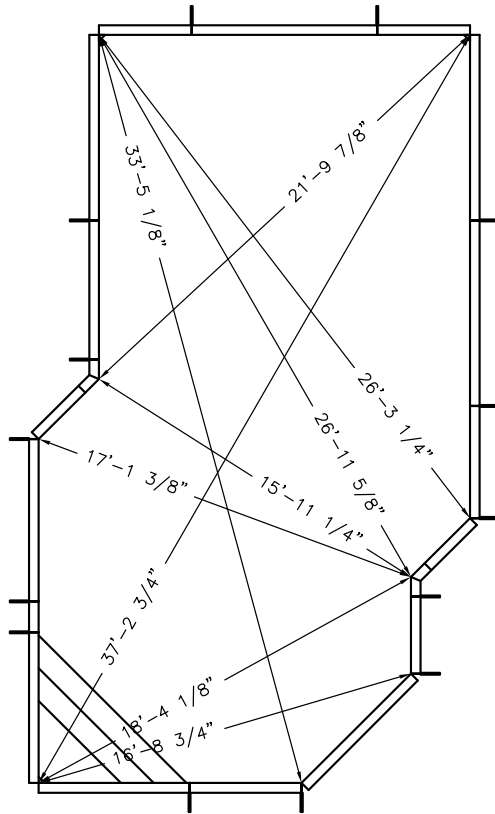
cardinalpools.com

This information is the confidential property of Cardinal Systems, Inc. Disclosure or duplication without proper written approval is strictly prohibited. Acceptance and use of this drawing constitutes knowledge and acceptance by the user of the terms and conditions set forth in the notice and warning which accompanied this drawing is incorporated herein and made part hereof and is found on Cardinal Systems, Inc's website at www.CardinalSystemsInc.com



**Pool Size:** 16' X 32' **Approx Gal:** 18,956  
**Pool Shape:** DOUBLE RECTANGLE  
**Pool Number:** 1632DR (STEEL)

250 Route 61 South, Schuylkill Haven, PA 17972 • 570-385-4733 • fax: 570-385-1318 • CustomerService@CardinalSystemsinc.com



**Date:** 5/10/2022

**Drawn By:** AUSTIN K

**Scale:** 1/8" = 1'-0"

**Perimeter:** 95'-11 1/4"

**Area:** 521.1 SQ. FT.

**Notes:** -----



cardinalpools.com

This information is the confidential property of Cardinal Systems, Inc. Disclosure or duplication without proper written approval is strictly prohibited. Acceptance and use of this drawing constitutes knowledge and acceptance by the user of the terms and conditions set forth in the notice and warning which accompanied this drawing is incorporated herein and made part hereof and is found on Cardinal Systems, Inc's website at www.CardinalSystemsInc.com

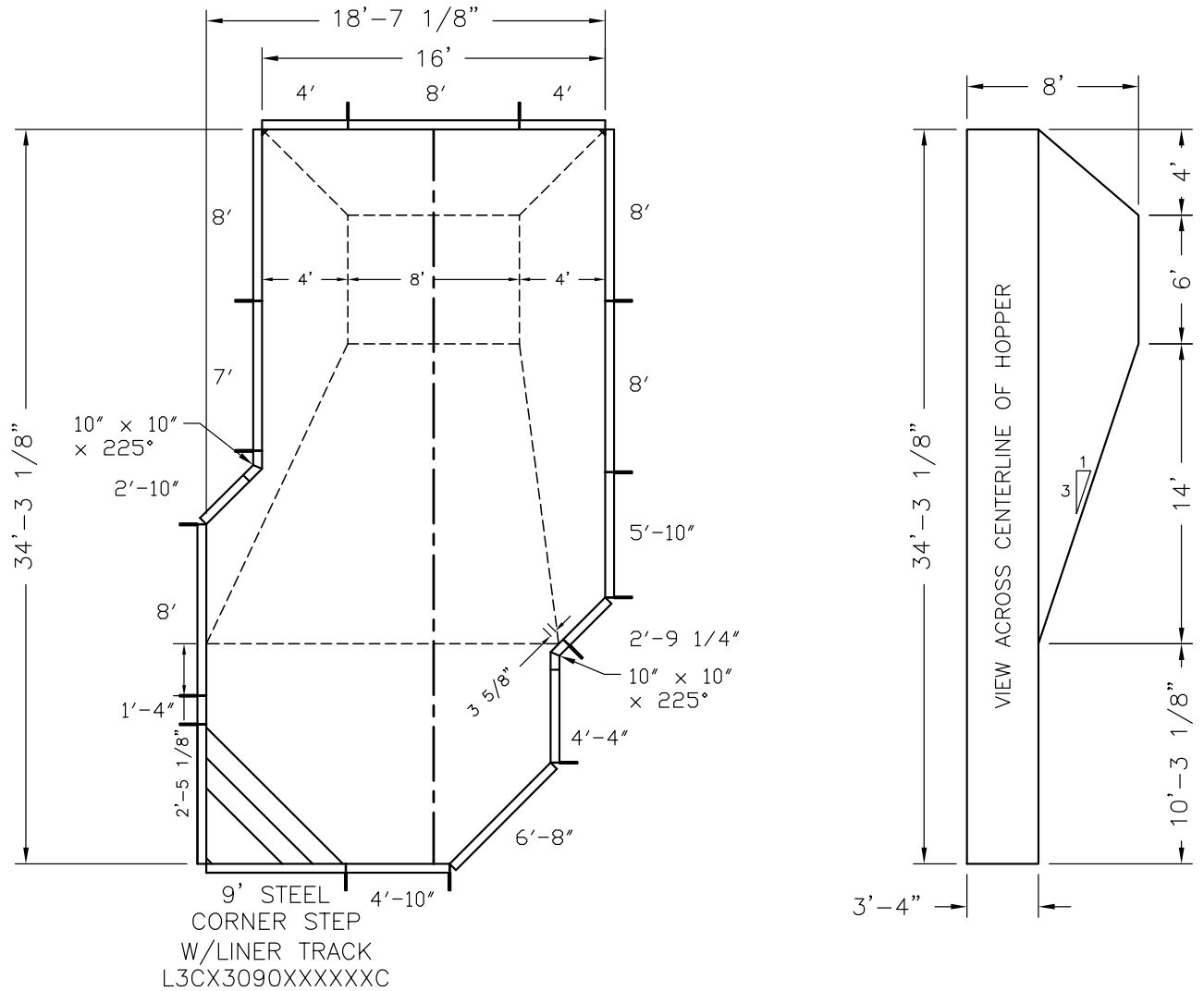



**Pool Size:** 16' X 34' **Approx Gal:** 20,120  
**Pool Shape:** DOUBLE RECTANGLE  
**Pool Number:** 1634DR (STEEL)

250 Route 61 South, Schuylkill Haven, PA 17972 • 570-385-4733 • fax: 570-385-1318 • CustomerService@CardinalSystemsinc.com

### Bill of Materials

PART NO.	QUANTITY	DESCRIPTION
"A" FRAME	14	"A" FRAME ASSEMBLY
CS901GC	4	GRECIAN CORNER ANGLE
CS902SA	2	90 DEG CORNER ANGLE
CS902SB	2	6" RAD CORNER FILLER "BIG VEE"
L3CX3090XXXXXC	1	9' STEEL CORNER STEP W/LINER TRACK
5S42140XXX0	1	1'-4" Straight PANEL W/0 Z
5S42292XXX0	1	2'-9 1/4" Straight PANEL W/0 Z
5S422T0XXX0	1	2'-10" Straight PANEL W/0 Z
5S42400XXX0	2	4" Straight PANEL W/0 Z
5S42440XXX0	1	4'-4" Straight PANEL W/0 Z
5S424T0XXX0	1	4'-10" Straight PANEL W/0 Z
5S425T0XXX1	1	5'-10" Straight PANEL W/1 Z
5S42680XXX1	1	6'-8" Straight PANEL W/1 Z
5S42700XXX2	1	7" Straight PANEL W/2 Z
5S42800XXX2	5	8" Straight PANEL W/2 Z
5T420T02250T0	2	T" x T" x 225° ELL



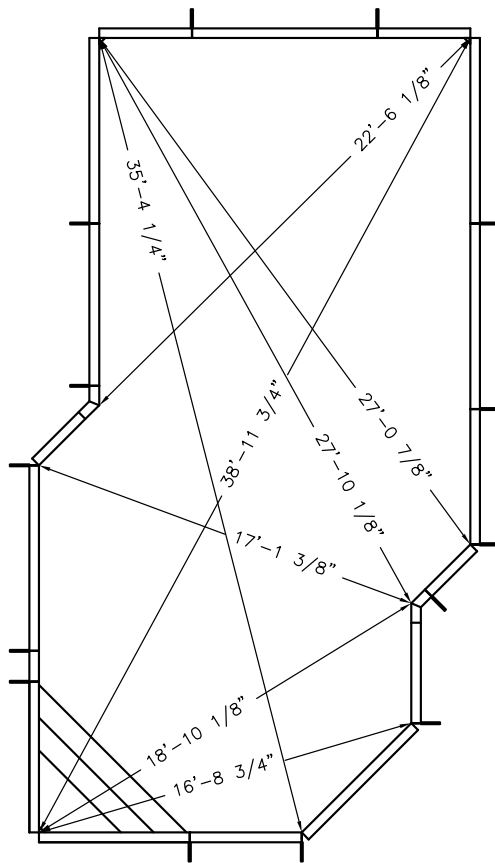
<b>Date:</b> 5/10/2022	<b>Perimeter:</b> 99'-11 1/4"	 cardinalpools.com
<b>Drawn By:</b> AUSTIN K	<b>Area:</b> 553.1 SQ. FT.	
<b>Scale:</b> 1/8" = 1'-0"	<b>Notes:</b> -----	


This information is the confidential property of Cardinal Systems, Inc. Disclosure or duplication without proper written approval is strictly prohibited. Acceptance and use of this drawing constitutes knowledge and acceptance by the user of the terms and conditions set forth in the notice and warning which accompanied this drawing is incorporated herein and made part hereof and is found on Cardinal Systems, Inc's website at www.CardinalSystemsInc.com



**Pool Size:** 16' X 34' **Approx Gal:** 20,120  
**Pool Shape:** DOUBLE RECTANGLE  
**Pool Number:** 1634DR (STEEL)

250 Route 61 South, Schuylkill Haven, PA 17972 • 570-385-4733 • fax: 570-385-1318 • CustomerService@CardinalSystemsinc.com



<b>Date:</b> 5/10/2022	<b>Perimeter:</b> 99'-11 1/4"	 cardinalpools.com
<b>Drawn By:</b> AUSTIN K	<b>Area:</b> 553.1 SQ. FT.	
<b>Scale:</b> 1/8" = 1'-0"	<b>Notes:</b> -----	

This information is the confidential property of Cardinal Systems, Inc. Disclosure or duplication without proper written approval is strictly prohibited. Acceptance and use of this drawing constitutes knowledge and acceptance by the user of the terms and conditions set forth in the notice and warning which accompanied this drawing is incorporated herein and made part hereof and is found on Cardinal Systems, Inc's website at [www.CardinalSystemsInc.com](http://www.CardinalSystemsInc.com)

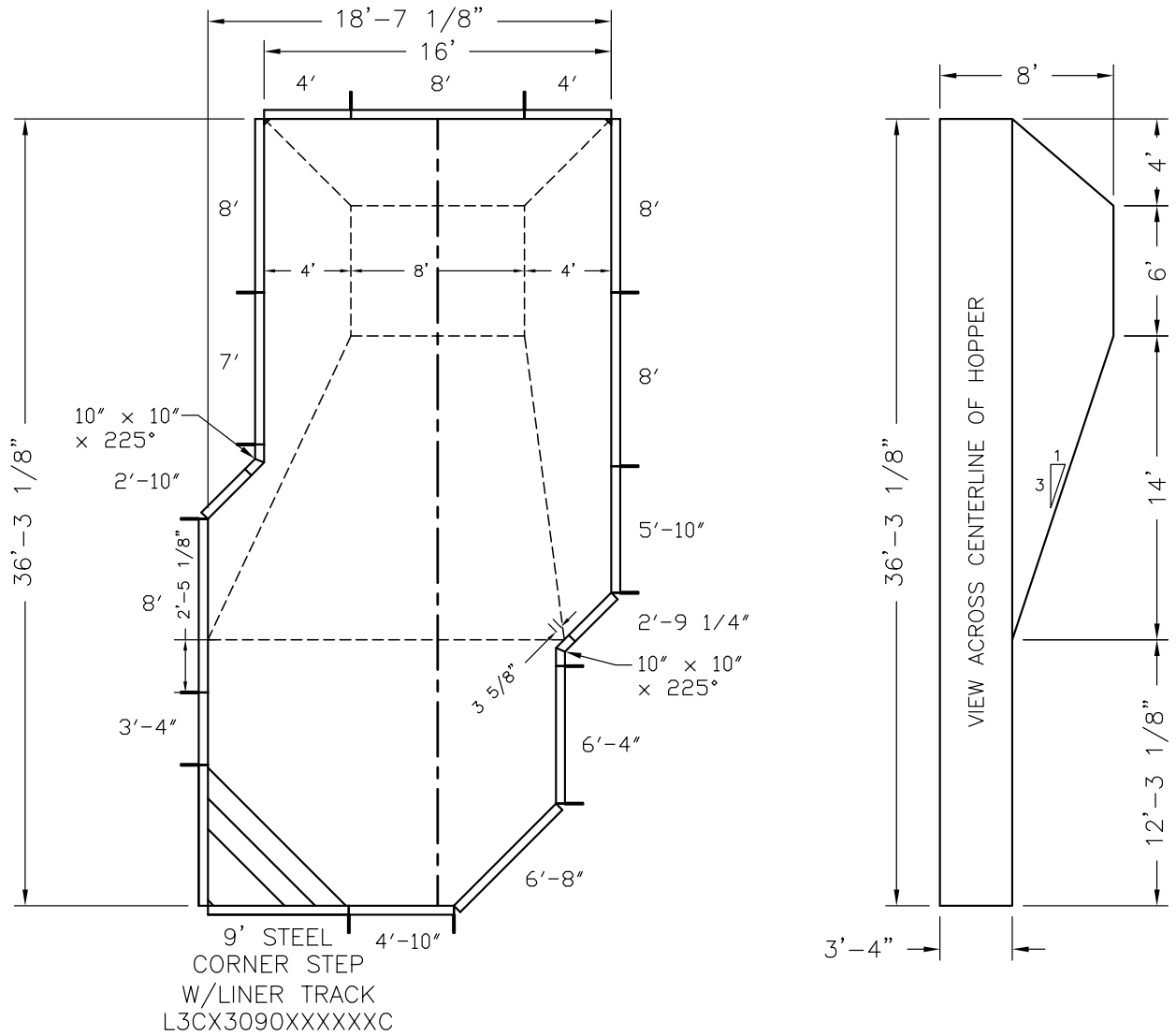


**Pool Size:** 16' X 36' **Approx Gal:** 21,287  
**Pool Shape:** DOUBLE RECTANGLE  
**Pool Number:** 1636DR (STEEL)

250 Route 61 South, Schuylkill Haven, PA 17972 • 570-385-4733 • fax: 570-385-1318 • CustomerService@CardinalSystemsinc.com

Bill of Materials

PART NO.	QUANTITY	DESCRIPTION
"A" FRAME	14	"A" FRAME ASSEMBLY
CS901GC	4	GRECIAN CORNER ANGLE
CS902SA	2	90 DEG CORNER ANGLE
CS902SB	2	6" RAD CORNER FILLER "BIG VEE"
L3CX3090XXXXXC	1	9' STEEL CORNER STEP W/LINER TRACK
5S42292XXXX0	1	2'-9 1/4" Straight PANEL W/0 Z
5S422T0XXXX0	1	2'-10" Straight PANEL W/0 Z
5S42340XXXX0	1	3'-4" Straight PANEL W/0 Z
5S42400XXXX0	2	4' Straight PANEL W/0 Z
5S424T0XXXX0	1	4'-10" Straight PANEL W/0 Z
5S425T0XXXX1	1	5'-10" Straight PANEL W/1 Z
5S42640XXXX1	1	6'-4" Straight PANEL W/1 Z
5S42680XXXX1	1	6'-8" Straight PANEL W/1 Z
5S42700XXXX2	1	7' Straight PANEL W/2 Z
5S42800XXXX2	5	8' Straight PANEL W/2 Z
5T420T02250T0	2	T" x T" x 225° ELL



**Date:** 5/10/2022

**Perimeter:** 103'-11 1/4"

**Drawn By:** AUSTIN K

**Area:** 585.2 SQ. FT.

**Scale:** 1/8" = 1'-0"

**Notes:** - - - -



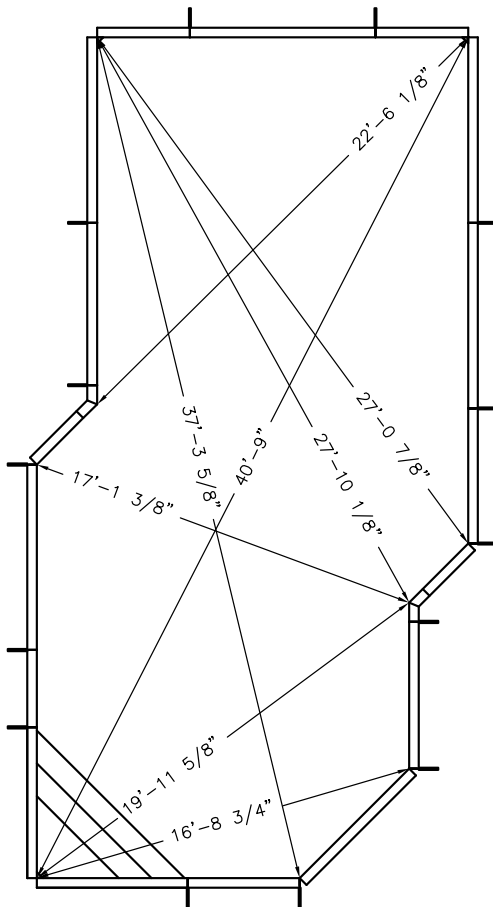
cardinalpools.com

This information is the confidential property of Cardinal Systems, Inc. Disclosure or duplication without proper written approval is strictly prohibited. Acceptance and use of this drawing constitutes knowledge and acceptance by the user of the terms and conditions set forth in the notice and warning which accompanied this drawing is incorporated herein and made part hereof and is found on Cardinal Systems, Inc's website at www.CardinalSystemsInc.com



**Pool Size:** 16' X 36' **Approx Gal:** 21,287  
**Pool Shape:** DOUBLE RECTANGLE  
**Pool Number:** 1636DR (STEEL)

250 Route 61 South, Schuylkill Haven, PA 17972 • 570-385-4733 • fax: 570-385-1318 • CustomerService@CardinalSystemsinc.com



**Date:** 5/10/2022

**Drawn By:** AUSTIN K

**Scale:** 1/8" = 1'-0"

**Perimeter:** 103'-11 1/4"

**Area:** 585.2 SQ. FT.

**Notes:** -----



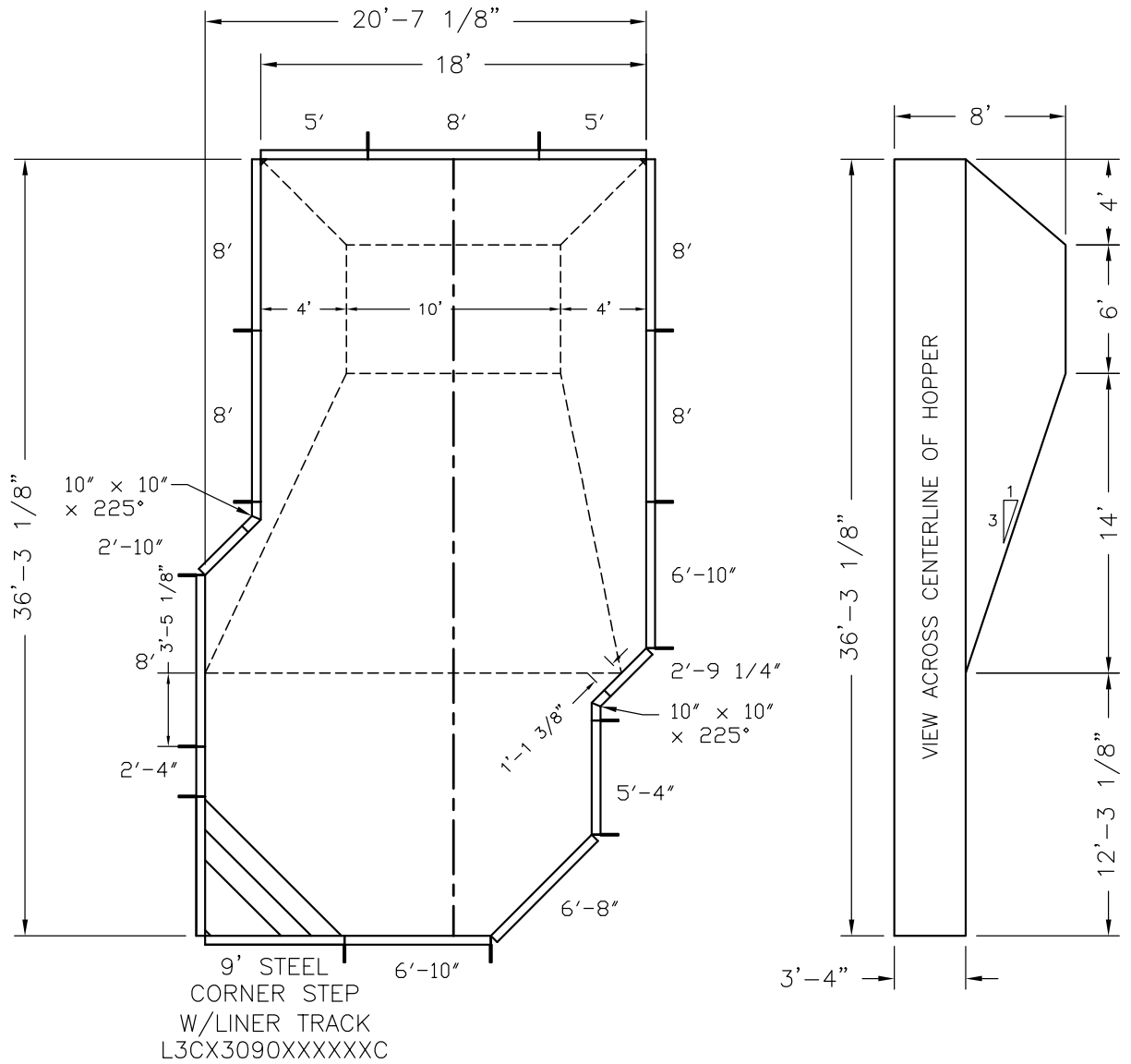
cardinalpools.com


This information is the confidential property of Cardinal Systems, Inc. Disclosure or duplication without proper written approval is strictly prohibited. Acceptance and use of this drawing constitutes knowledge and acceptance by the user of the terms and conditions set forth in the notice and warning which accompanied this drawing is incorporated herein and made part hereof and is found on Cardinal Systems, Inc's website at www.CardinalSystemsInc.com



**Pool Size:** 18' X 36' **Approx Gal:** 23,924  
**Pool Shape:** DOUBLE RECTANGLE  
**Pool Number:** 1836DR (STEEL)

250 Route 61 South, Schuylkill Haven, PA 17972 • 570-385-4733 • fax: 570-385-1318 • CustomerService@CardinalSystemsInc.com



<b>Date:</b> 5/10/2022	<b>Perimeter:</b> 107'-11 1/4"	 cardinalpools.com
<b>Drawn By:</b> AUSTIN K	<b>Area:</b> 657.7 SQ. FT.	
<b>Scale:</b> 1/8" = 1'-0"	<b>Notes:</b> -----	

This information is the confidential property of Cardinal Systems, Inc. Disclosure or duplication without proper written approval is strictly prohibited. Acceptance and use of this drawing constitutes knowledge and acceptance by the user of the terms and conditions set forth in the notice and warning which accompanied this drawing is incorporated herein and made part hereof and is found on Cardinal Systems, Inc's website at www.CardinalSystemsInc.com




**Pool Size:** 18' X 36'      **Approx Gal:** 23,924  
**Pool Shape:** DOUBLE RECTANGLE  
**Pool Number:** 1836DR (STEEL)

250 Route 61 South, Schuylkill Haven, PA 17972 • 570-385-4733 • fax: 570-385-1318 • CustomerService@CardinalSystemsInc.com

### Bill of Materials

PART NO.	QUANTITY	DESCRIPTION
"A" FRAME	14	"A" FRAME ASSEMBLY
CS901GC	4	GRECIAN CORNER ANGLE
CS902SA	2	90 DEG CORNER ANGLE
CS902SB	2	6" RAD CORNER FILLER "BIG VEE"
L3CX3090XXXXXC	1	9' STEEL CORNER STEP W/LINER TRACK
5S42240XXX0	1	2'-4" Straight PANEL W/0 Z
5S42292XXX0	1	2'-9 1/4" Straight PANEL W/0 Z
5S422T0XXX0	1	2'-10" Straight PANEL W/0 Z
5S42500XXX0	2	5' Straight PANEL W/0 Z
5S42540XXX0	1	5'-4" Straight PANEL W/0 Z
5S42680XXX1	1	6'-8" Straight PANEL W/1 Z
5S426T0XXX1	2	6'-10" Straight PANEL W/1 Z
5S42800XXX2	6	8' Straight PANEL W/2 Z
5T420T02250T0	2	T" x T" x 225° ELL

<b>Date:</b> 5/10/2022	<b>Perimeter:</b> 107'-11 1/4"	 <small>cardinalpools.com</small>
<b>Drawn By:</b> AUSTIN K	<b>Area:</b> 657.7 SQ. FT.	
<b>Scale:</b> 1/8" = 1'-0"	<b>Notes:</b> - - - -	

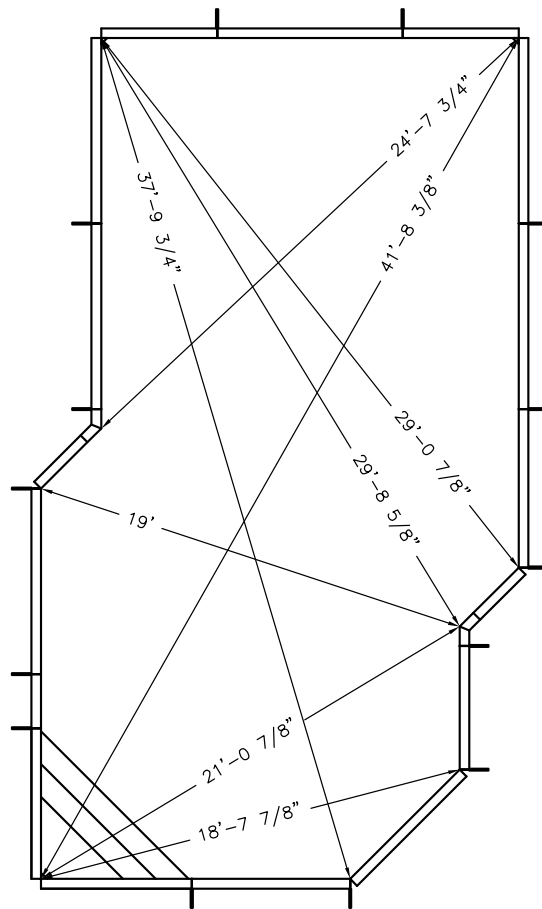
This information is the confidential property of Cardinal Systems, Inc. Disclosure or duplication without proper written approval is strictly prohibited. Acceptance and use of this drawing constitutes knowledge and acceptance by the user of the terms and conditions set forth in the notice and warning which accompanied this drawing is incorporated herein and made part hereof and is found on Cardinal Systems, Inc's website at www.CardinalSystemsInc.com





**Pool Size:** 18' X 36'      **Approx Gal:** 23,924  
**Pool Shape:** DOUBLE RECTANGLE  
**Pool Number:** 1836DR (STEEL)

250 Route 61 South, Schuylkill Haven, PA 17972 • 570-385-4733 • fax: 570-385-1318 • CustomerService@CardinalSystemsinc.com



**Date:** 5/10/2022

**Perimeter:** 107'-11 1/4"

**Drawn By:** AUSTIN K

**Area:** 657.7 SQ. FT.

**Scale:** 1/8" = 1'-0"

**Notes:** - - - -



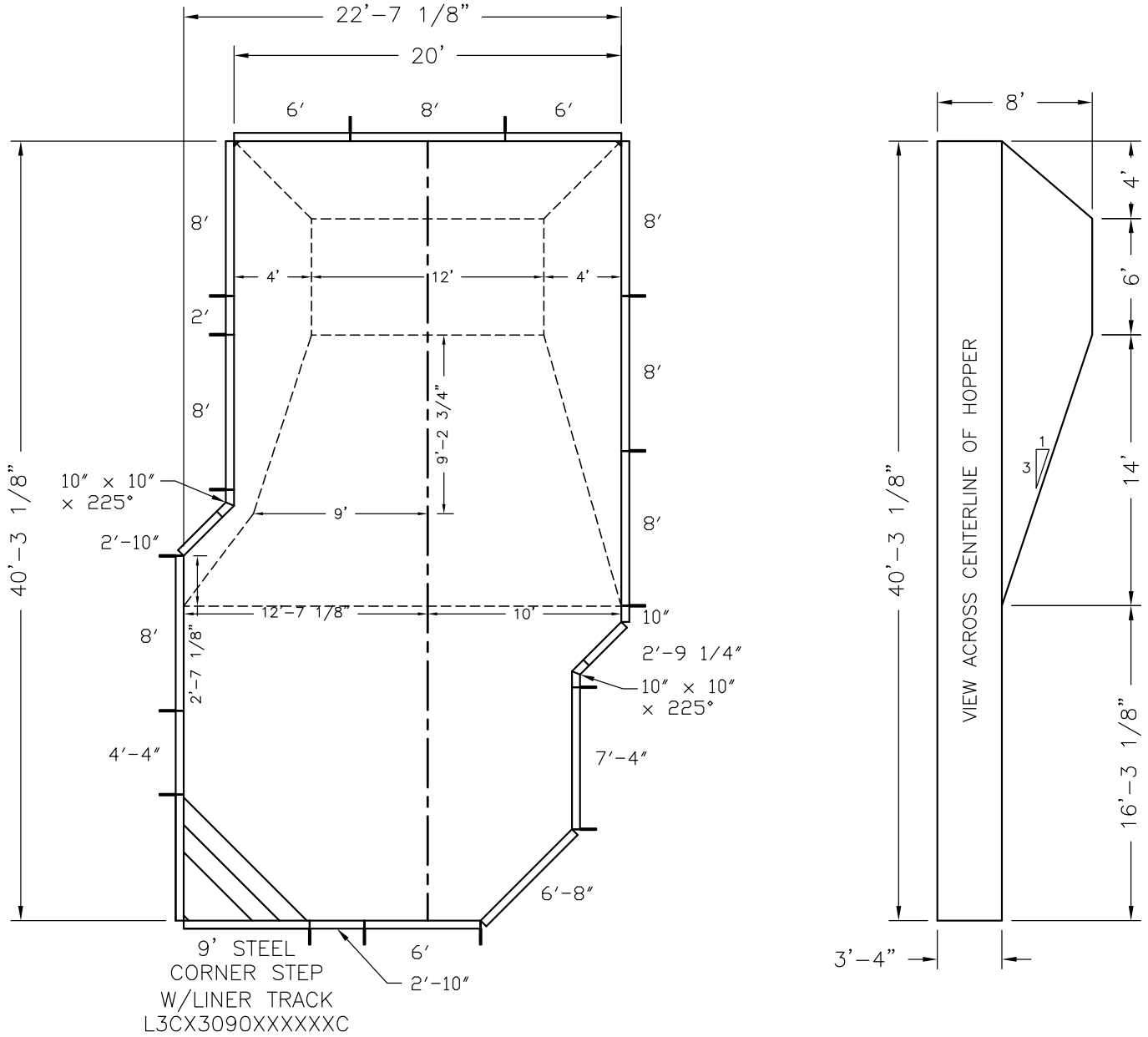
cardinalpools.com


This information is the confidential property of Cardinal Systems, Inc. Disclosure or duplication without proper written approval is strictly prohibited. Acceptance and use of this drawing constitutes knowledge and acceptance by the user of the terms and conditions set forth in the notice and warning which accompanied this drawing is incorporated herein and made part hereof and is found on Cardinal Systems, Inc's website at www.CardinalSystemsInc.com



**Pool Size:** 20' X 40'    **Approx Gal:** 29,475  
**Pool Shape:** DOUBLE RECTANGLE  
**Pool Number:** 2040DR (STEEL)

250 Route 61 South, Schuylkill Haven, PA 17972 • 570-385-4733 • fax: 570-385-1318 • CustomerService@CardinalSystemsinc.com



<b>Date:</b> 5/10/2022	<b>Perimeter:</b> 119'-11 1/4"	 cardinalpools.com
<b>Drawn By:</b> AUSTIN K	<b>Area:</b> 810.3 SQ. FT.	
<b>Scale:</b> 1/8" = 1'-0"	<b>Notes:</b> -----	

This information is the confidential property of Cardinal Systems, Inc. Disclosure or duplication without proper written approval is strictly prohibited. Acceptance and use of this drawing constitutes knowledge and acceptance by the user of the terms and conditions set forth in the notice and warning which accompanied this drawing is incorporated herein and made part hereof and is found on Cardinal Systems, Inc's website at [www.CardinalSystemsInc.com](http://www.CardinalSystemsInc.com)




**Pool Size:** 20' X 40' **Approx Gal:** 29,475  
**Pool Shape:** DOUBLE RECTANGLE  
**Pool Number:** 2040DR (STEEL)

250 Route 61 South, Schuylkill Haven, PA 17972 • 570-385-4733 • fax: 570-385-1318 • CustomerService@CardinalSystemsinc.com

Bill of Materials

PART NO.	QUANTITY	DESCRIPTION
"A" FRAME	16	"A" FRAME ASSEMBLY
CS901GC	4	GRECIAN CORNER ANGLE
CS902SA	2	90 DEG CORNER ANGLE
CS902SB	2	6" RAD CORNER FILLER "BIG VEE"
L3CX3090XXXXXXC	1	9' STEEL CORNER STEP W/LINER TRACK
5S420T0XXX0	1	T" Straight PANEL W/0 Z
5S42200XXX0	1	2' Straight PANEL W/0 Z
5S42292XXX0	1	2'-9 1/4" Straight PANEL W/0 Z
5S422T0XXX0	2	2'-10" Straight PANEL W/0 Z
5S42440XXX0	1	4'-4" Straight PANEL W/0 Z
5S42600XXX1	3	6' Straight PANEL W/1 Z
5S42680XXX1	1	6'-8" Straight PANEL W/1 Z
5S42740XXX2	1	7'-4" Straight PANEL W/2 Z
5S42800XXX2	7	8' Straight PANEL W/2 Z
5T420T02250T0	2	T" x T" x 225° ELL

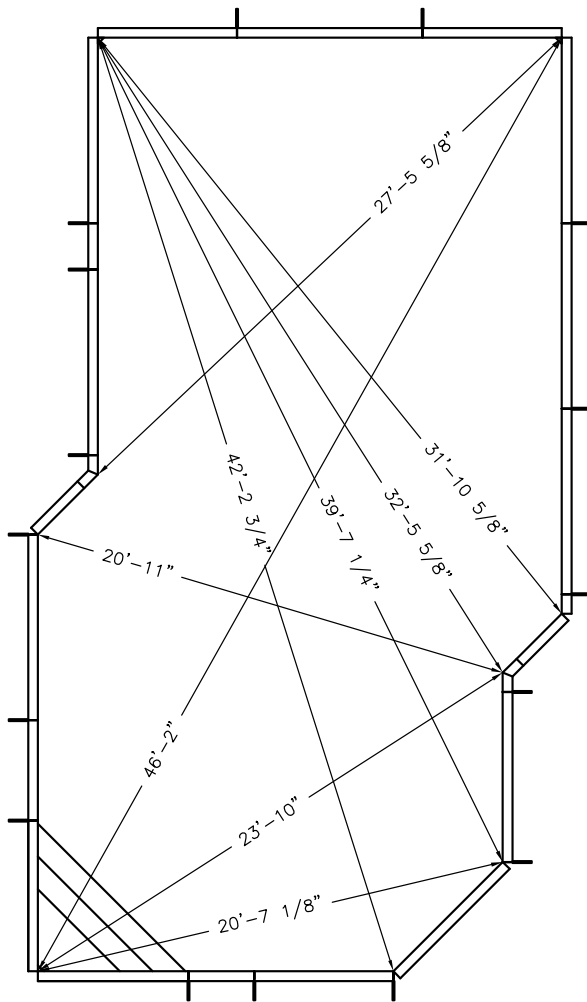
<b>Date:</b> 5/10/2022	<b>Perimeter:</b> 119'-11 1/4"	 <small>cardinalpools.com</small>
<b>Drawn By:</b> AUSTIN K	<b>Area:</b> 810.3 SQ. FT.	
<b>Scale:</b> 1/8" = 1'-0"	<b>Notes:</b> - - - -	


This information is the confidential property of Cardinal Systems, Inc. Disclosure or duplication without proper written approval is strictly prohibited. Acceptance and use of this drawing constitutes knowledge and acceptance by the user of the terms and conditions set forth in the notice and warning which accompanied this drawing is incorporated herein and made part hereof and is found on Cardinal Systems, Inc's website at [www.CardinalSystemsInc.com](http://www.CardinalSystemsInc.com)



**Pool Size:** 20' X 40' **Approx Gal:** 29,475  
**Pool Shape:** DOUBLE RECTANGLE  
**Pool Number:** 2040DR (STEEL)

250 Route 61 South, Schuylkill Haven, PA 17972 • 570-385-4733 • fax: 570-385-1318 • CustomerService@CardinalSystemsinc.com



<b>Date:</b> 5/10/2022	<b>Perimeter:</b> 119'-11 1/4"	 cardinalpools.com
<b>Drawn By:</b> AUSTIN K	<b>Area:</b> 810.3 SQ. FT.	
<b>Scale:</b> 1/8" = 1'-0"	<b>Notes:</b> -----	

This information is the confidential property of Cardinal Systems, Inc. Disclosure or duplication without proper written approval is strictly prohibited. Acceptance and use of this drawing constitutes knowledge and acceptance by the user of the terms and conditions set forth in the notice and warning which accompanied this drawing is incorporated herein and made part hereof and is found on Cardinal Systems, Inc's website at www.CardinalSystemsInc.com

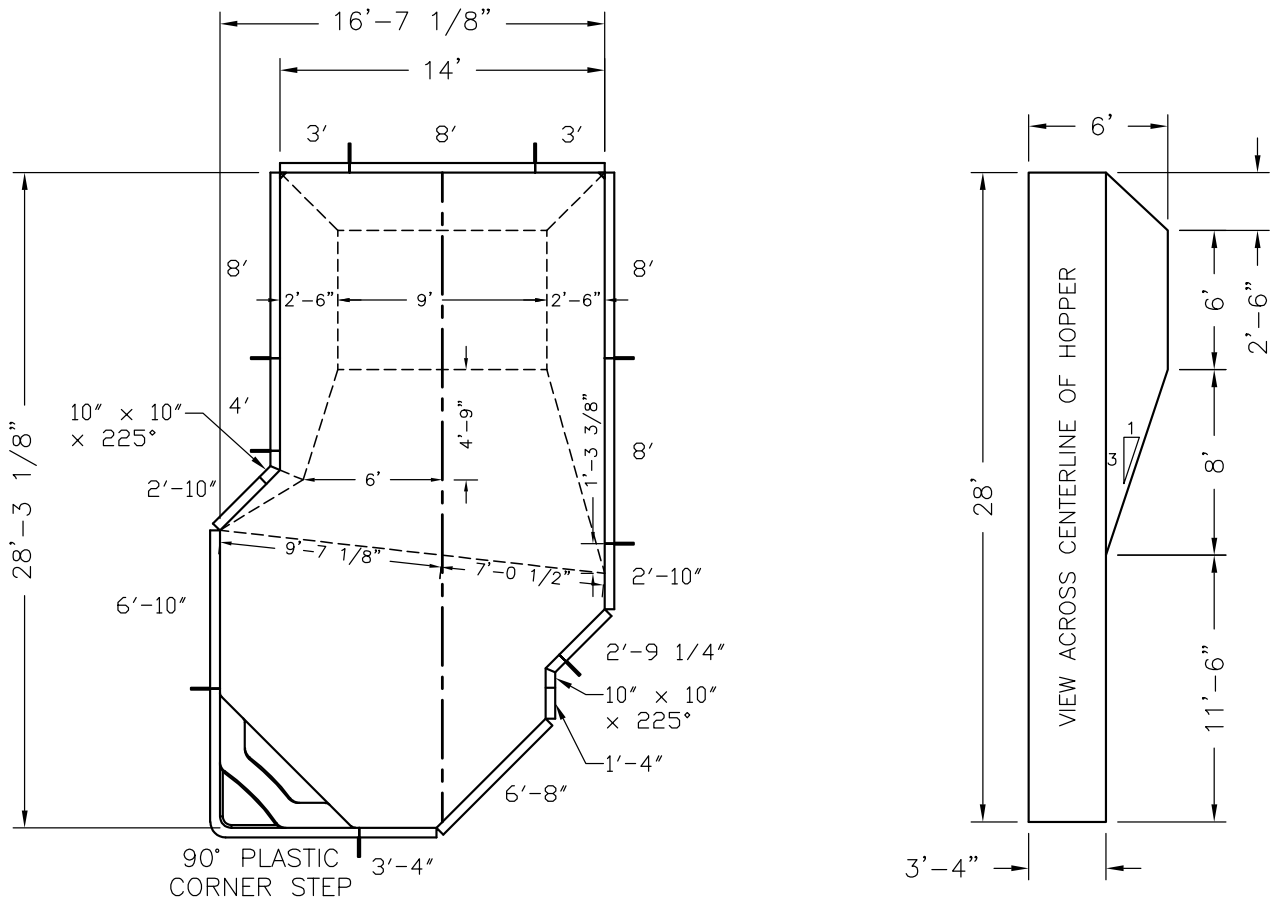


**Pool Size:** 14' X 28' **Approx Gal:** 12,763  
**Pool Shape:** DOUBLE RECTANGLE  
**Pool Number:** 1428DR (PLASTIC)

250 Route 61 South, Schuylkill Haven, PA 17972 • 570-385-4733 • fax: 570-385-1318 • CustomerService@CardinalSystemsinc.com

### Bill of Materials

PART NO.	QUANTITY	DESCRIPTION
"A" FRAME	9	"A" FRAME ASSEMBLY
CS901GC	4	GRECIAN CORNER ANGLE
CS902SA	2	90 DEG CORNER ANGLE
CS902SB	2	6" RAD CORNER FILLER "BIG VEE"
5S42140XXX0	1	1'-4" Straight PANEL W/0 Z
5S42292XXX0	1	2'-9 1/4" Straight PANEL W/0 Z
5S422T0XXX0	2	2'-10" Straight PANEL W/0 Z
5S42300XXX0	2	3' Straight PANEL W/0 Z
5S42340XXX0	1	3'-4" Straight PANEL W/0 Z
5S42400XXX0	1	4' Straight PANEL W/0 Z
5S42680XXX2	1	6'-8" Straight PANEL W/2 Z
5S426T0XXX1	1	6'-10" Straight PANEL W/1 Z
5S42800XXX2	4	8' Straight PANEL W/2 Z
5T420T02250T0	2	T" x T" x 225° ELL



NOTE: THIS IS A NON DIVING POOL.

**Date:** 5/10/2022

**Perimeter:** 83'-11 1/4"

**Drawn By:** AUSTIN K

**Area:** 400.4 SQ. FT.

**Scale:** 1/8" = 1'-0"

**Notes:** - - - -



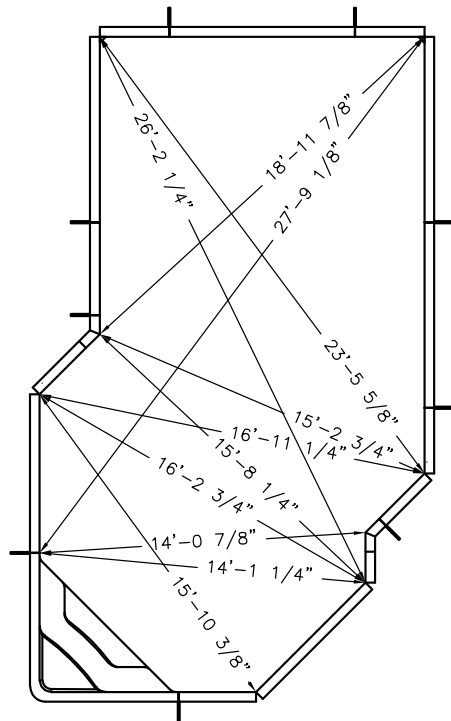
cardinalpools.com


This information is the confidential property of Cardinal Systems, Inc. Disclosure or duplication without proper written approval is strictly prohibited. Acceptance and use of this drawing constitutes knowledge and acceptance by the user of the terms and conditions set forth in the notice and warning which accompanied this drawing is incorporated herein and made part hereof and is found on Cardinal Systems, Inc's website at www.CardinalSystemsInc.com



**Pool Size:** 14' X 28' **Approx Gal:** 12,763  
**Pool Shape:** DOUBLE RECTANGLE  
**Pool Number:** 1428DR (PLASTIC)

250 Route 61 South, Schuylkill Haven, PA 17972 • 570-385-4733 • fax: 570-385-1318 • CustomerService@CardinalSystemsinc.com



<b>Date:</b> 5/10/2022	<b>Perimeter:</b> 83'-11 1/4"	 cardinalpools.com
<b>Drawn By:</b> AUSTIN K	<b>Area:</b> 400.4 SQ. FT.	
<b>Scale:</b> 1/8" = 1'-0"	<b>Notes:</b> -----	

This information is the confidential property of Cardinal Systems, Inc. Disclosure or duplication without proper written approval is strictly prohibited. Acceptance and use of this drawing constitutes knowledge and acceptance by the user of the terms and conditions set forth in the notice and warning which accompanied this drawing is incorporated herein and made part hereof and is found on Cardinal Systems, Inc's website at www.CardinalSystemsInc.com

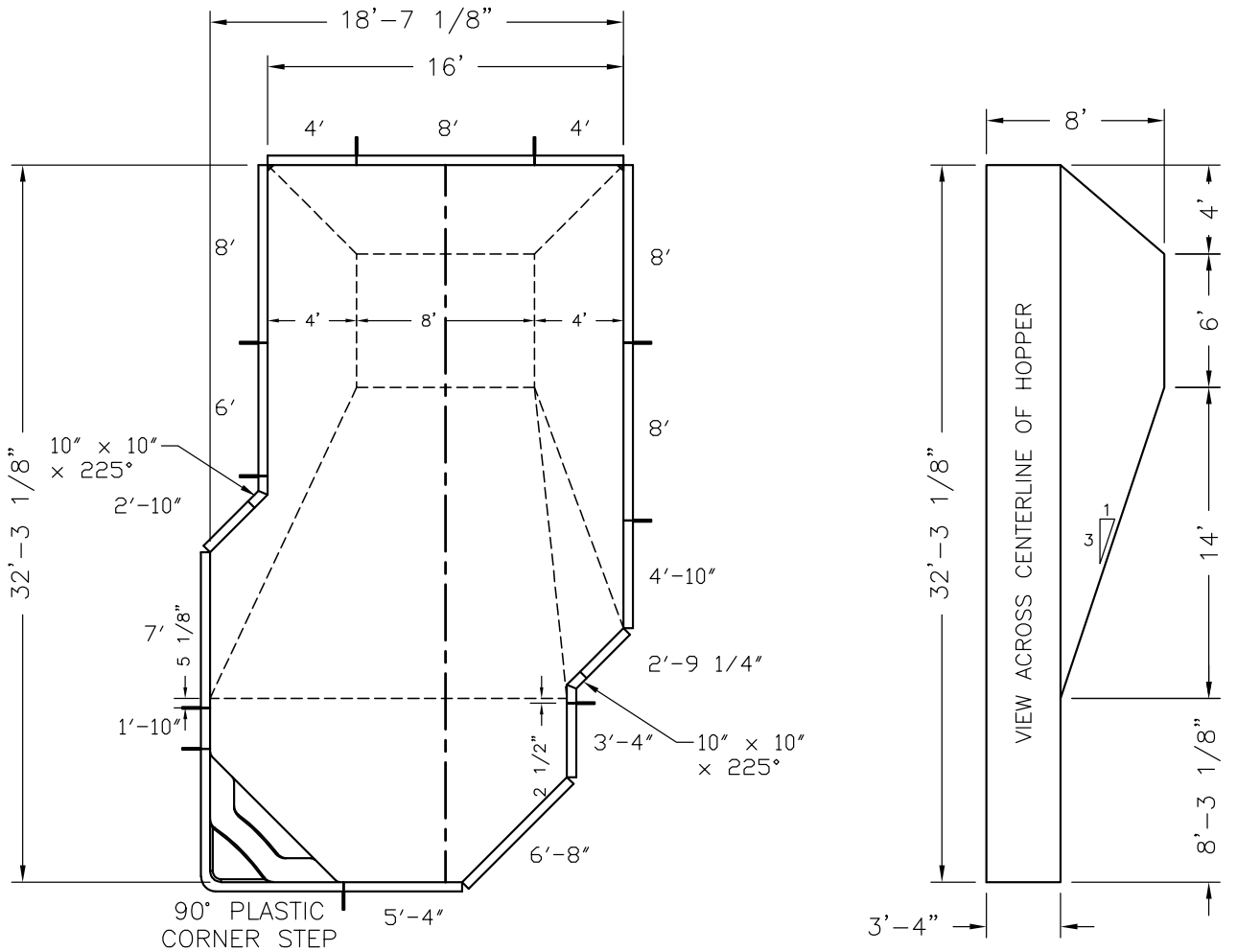



**Pool Size:** 16' X 32' **Approx Gal:** 18,951  
**Pool Shape:** DOUBLE RECTANGLE  
**Pool Number:** 1632DR (PLASTIC)

250 Route 61 South, Schuylkill Haven, PA 17972 • 570-385-4733 • fax: 570-385-1318 • CustomerService@CardinalSystemsInc.com

Bill of Materials

PART NO.	QUANTITY	DESCRIPTION
"A" FRAME	10	"A" FRAME ASSEMBLY
CS901GC	4	GRECIAN CORNER ANGLE
CS902SA	2	90 DEG CORNER ANGLE
CS902SB	2	6" RAD CORNER FILLER "BIG VEE"
5S421T0XXX0	1	1'-10" Straight PANEL W/0 Z
5S42292XXX0	1	2'-9 1/4" Straight PANEL W/0 Z
5S422T0XXX0	1	2'-10" Straight PANEL W/0 Z
5S42340XXX0	1	3'-4" Straight PANEL W/0 Z
5S42400XXX0	2	4" Straight PANEL W/0 Z
5S424T0XXX0	1	4'-10" Straight PANEL W/0 Z
5S42540XXX0	1	5'-4" Straight PANEL W/0 Z
5S42600XXX1	1	6" Straight PANEL W/1 Z
5S42680XXX1	1	6'-8" Straight PANEL W/1 Z
5S42700XXX2	1	7" Straight PANEL W/2 Z
5S42800XXX2	4	8" Straight PANEL W/2 Z
5T420T02250T0	2	T" x T" x 225° ELL



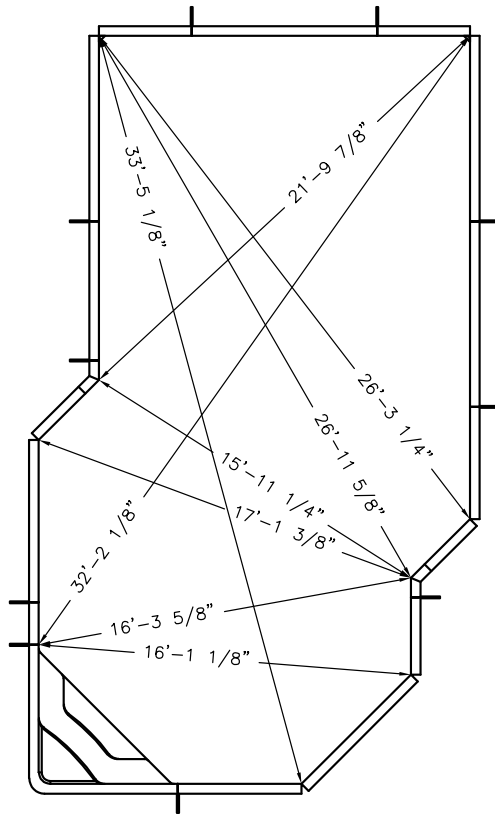
<b>Date:</b> 5/10/2022	<b>Perimeter:</b> 95'-8 5/8"	 cardinalpools.com
<b>Drawn By:</b> AUSTIN K	<b>Area:</b> 521.0 SQ. FT.	
<b>Scale:</b> 1/8" = 1'-0"	<b>Notes:</b> - - - -	

This information is the confidential property of Cardinal Systems, Inc. Disclosure or duplication without proper written approval is strictly prohibited. Acceptance and use of this drawing constitutes knowledge and acceptance by the user of the terms and conditions set forth in the notice and warning which accompanied this drawing is incorporated herein and made part hereof and is found on Cardinal Systems, Inc's website at www.CardinalSystemsInc.com



**Pool Size:** 16' X 32' **Approx Gal:** 18,951  
**Pool Shape:** DOUBLE RECTANGLE  
**Pool Number:** 1632DR (PLASTIC)

250 Route 61 South, Schuylkill Haven, PA 17972 • 570-385-4733 • fax: 570-385-1318 • CustomerService@CardinalSystemsinc.com



**Date:** 5/10/2022

**Perimeter:** 95'-8 5/8"

**Drawn By:** AUSTIN K

**Area:** 521.0 SQ. FT.

**Scale:** 1/8" = 1'-0"

**Notes:** -----



cardinalpools.com

This information is the confidential property of Cardinal Systems, Inc. Disclosure or duplication without proper written approval is strictly prohibited. Acceptance and use of this drawing constitutes knowledge and acceptance by the user of the terms and conditions set forth in the notice and warning which accompanied this drawing is incorporated herein and made part hereof and is found on Cardinal Systems, Inc's website at www.CardinalSystemsInc.com





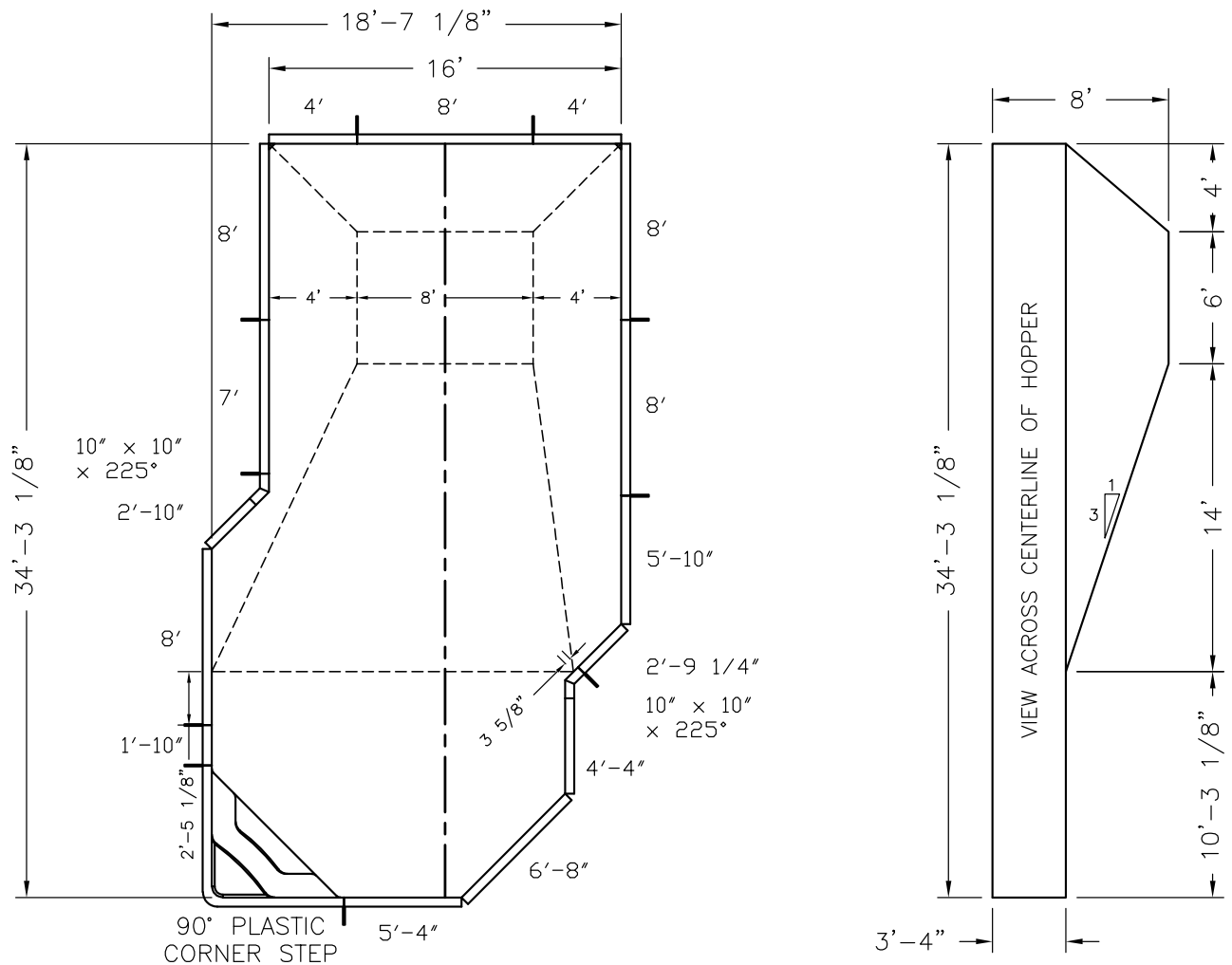
**Pool Size:** 16' X 34'  
**Pool Shape:** DOUBLE RECTANGLE  
**Pool Number:** 1634DR (PLASTIC)

**Approx Gal:** 20,116

250 Route 61 South, Schuylkill Haven, PA 17972 • 570-385-4733 • fax: 570-385-1318 • CustomerService@CardinalSystemsinc.com

### Bill of Materials

PART NO.	QUANTITY	DESCRIPTION
"A" FRAME	10	"A" FRAME ASSEMBLY
CS901GC	4	GRECIAN CORNER ANGLE
CS902SA	2	90 DEG CORNER ANGLE
CS902SB	2	6" RAD CORNER FILLER "BIG VEE"
5S421T0XXX0	1	1'-10" Straight PANEL W/0 Z
5S42292XXX0	1	2'-9 1/4" Straight PANEL W/0 Z
5S422T0XXX0	1	2'-10" Straight PANEL W/0 Z
5S42400XXX0	2	4' Straight PANEL W/0 Z
5S42440XXX0	1	4'-4" Straight PANEL W/0 Z
5S42540XXX0	1	5'-4" Straight PANEL W/0 Z
5S425T0XXX0	1	5'-10" Straight PANEL W/0 Z
5S42680XXX1	1	6'-8" Straight PANEL W/1 Z
5S42700XXX2	1	7' Straight PANEL W/2 Z
5S42800XXX2	5	8' Straight PANEL W/2 Z
5T420T02250T0	2	T" x T" x 225° ELL



**Date:** 5/10/2022

**Perimeter:** 99'-8 5/8"

**Drawn By:** AUSTIN K

**Area:** 553.0 SQ. FT.

**Scale:** 1/8" = 1'-0"

**Notes:** - - - -



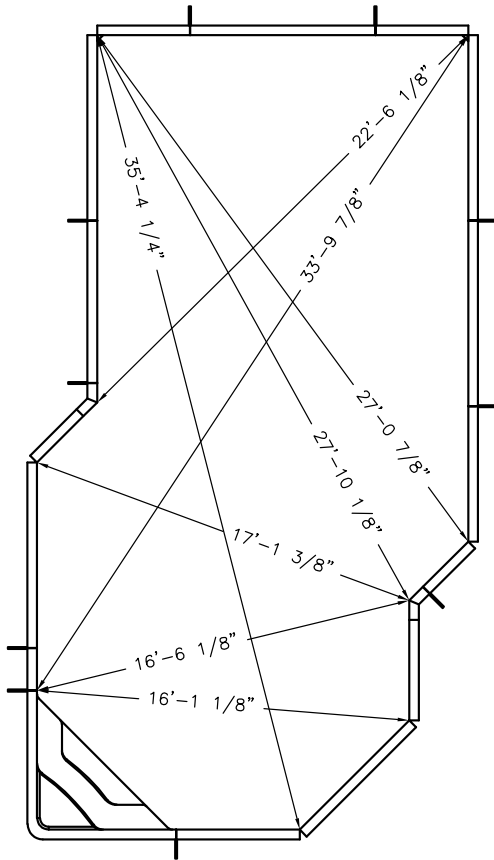
cardinalpools.com

This information is the confidential property of Cardinal Systems, Inc. Disclosure or duplication without proper written approval is strictly prohibited. Acceptance and use of this drawing constitutes knowledge and acceptance by the user of the terms and conditions set forth in the notice and warning which accompanied this drawing is incorporated herein and made part hereof and is found on Cardinal Systems, Inc's website at www.CardinalSystemsInc.com



**Pool Size:** 16' X 34' **Approx Gal:** 20,116  
**Pool Shape:** DOUBLE RECTANGLE  
**Pool Number:** 1634DR (PLASTIC)

250 Route 61 South, Schuylkill Haven, PA 17972 • 570-385-4733 • fax: 570-385-1318 • CustomerService@CardinalSystemsinc.com



**Date:** 5/10/2022

**Perimeter:** 99'-8 5/8"

**Drawn By:** AUSTIN K

**Area:** 553.0 SQ. FT.

**Scale:** 1/8" = 1'-0"

**Notes:** -----



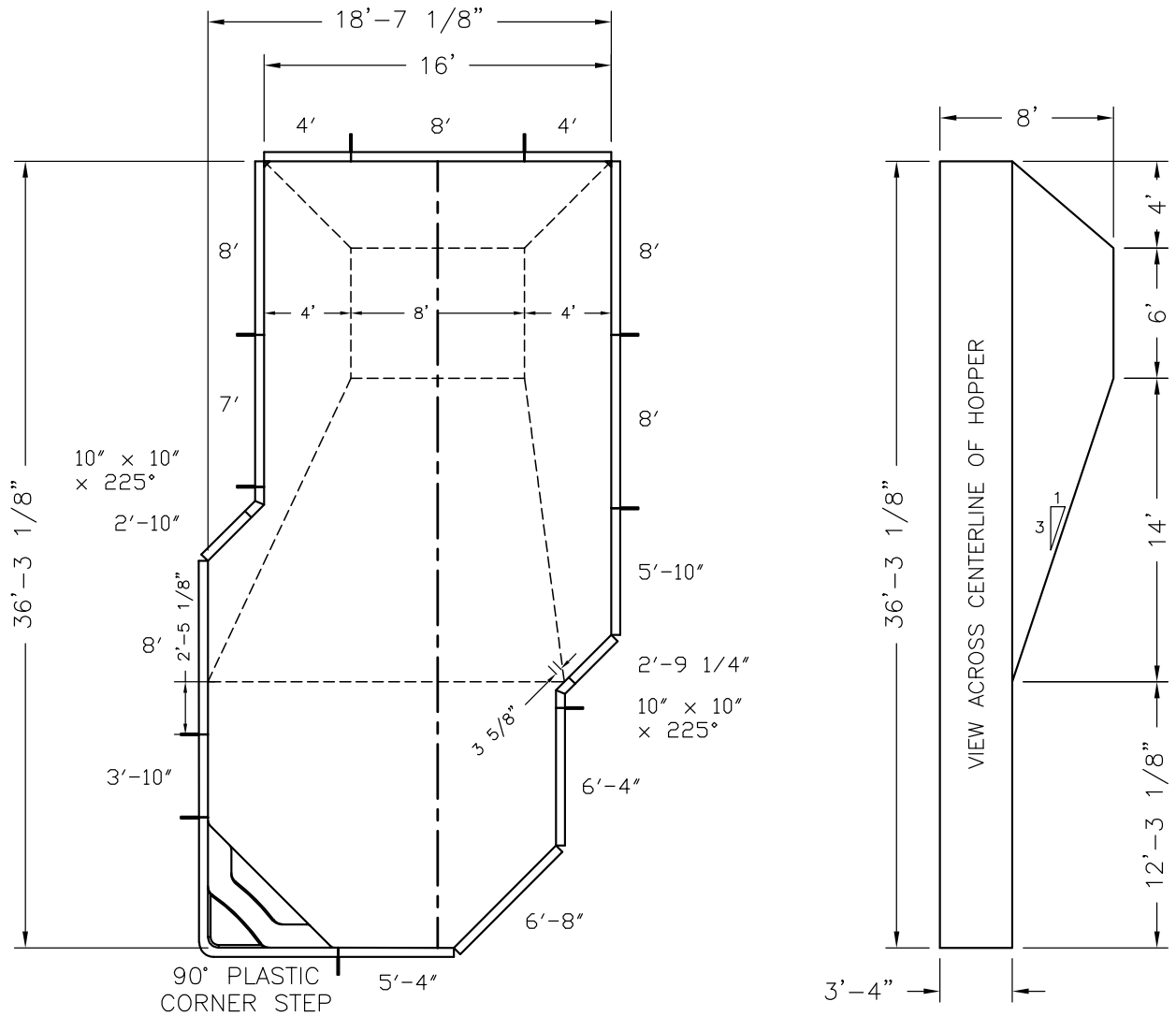
cardinalpools.com

This information is the confidential property of Cardinal Systems, Inc. Disclosure or duplication without proper written approval is strictly prohibited. Acceptance and use of this drawing constitutes knowledge and acceptance by the user of the terms and conditions set forth in the notice and warning which accompanied this drawing is incorporated herein and made part hereof and is found on Cardinal Systems, Inc's website at www.CardinalSystemsInc.com



**Pool Size:** 16' X 36' **Approx Gal:** 21,284  
**Pool Shape:** DOUBLE RECTANGLE  
**Pool Number:** 1636DR (PLASTIC)

250 Route 61 South, Schuylkill Haven, PA 17972 • 570-385-4733 • fax: 570-385-1318 • CustomerService@CardinalSystemsInc.com



**Date:** 5/10/2022

**Perimeter:** 103'-8 1/2"

**Drawn By:** AUSTIN K

**Area:** 585.1 SQ. FT.

**Scale:** 1/8" = 1'-0"

**Notes:** - - - -



cardinalpools.com

This information is the confidential property of Cardinal Systems, Inc. Disclosure or duplication without proper written approval is strictly prohibited. Acceptance and use of this drawing constitutes knowledge and acceptance by the user of the terms and conditions set forth in the notice and warning which accompanied this drawing is incorporated herein and made part hereof and is found on Cardinal Systems, Inc's website at www.CardinalSystemsInc.com



**Pool Size:** 16' X 36'      **Approx Gal:** 21,284  
**Pool Shape:** DOUBLE RECTANGLE  
**Pool Number:** 1636DR (PLASTIC)

250 Route 61 South, Schuylkill Haven, PA 17972 • 570-385-4733 • fax: 570-385-1318 • CustomerService@CardinalSystemsinc.com

### Bill of Materials

PART NO.	QUANTITY	DESCRIPTION
"A" FRAME	10	"A" FRAME ASSEMBLY
CS901GC	4	GRECIAN CORNER ANGLE
CS902SA	2	90 DEG CORNER ANGLE
CS902SB	2	6" RAD CORNER FILLER "BIG VEE"
5S42292XXX0	1	2'-9 1/4" Straight PANEL W/0 Z
5S422T0XXX0	1	2'-10" Straight PANEL W/0 Z
5S423T0XXX0	1	3'-10" Straight PANEL W/0 Z
5S42400XXX0	2	4' Straight PANEL W/0 Z
5S42540XXX0	1	5'-4" Straight PANEL W/0 Z
5S425T0XXX0	1	5'-10" Straight PANEL W/0 Z
5S42640XXX1	1	6'-4" Straight PANEL W/1 Z
5S42680XXX1	1	6'-8" Straight PANEL W/1 Z
5S42700XXX2	1	7' Straight PANEL W/2 Z
5S42800XXX2	5	8' Straight PANEL W/2 Z
5T420T02250T0	2	T" x T" x 225° ELL

**Date:** 5/10/2022

**Perimeter:** 103'-8 1/2"

**Drawn By:** AUSTIN K

**Area:** 585.1 SQ. FT.

**Scale:** 1/8" = 1'-0"

**Notes:** - - - -



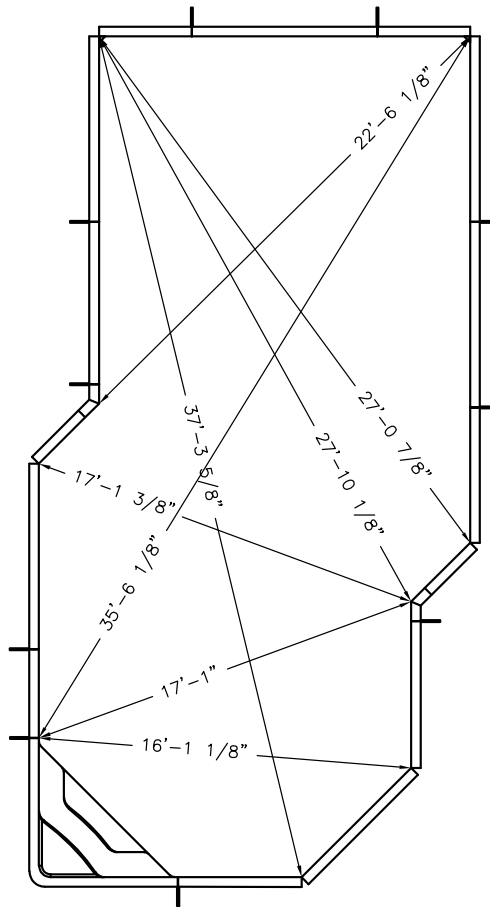
cardinalpools.com

This information is the confidential property of Cardinal Systems, Inc. Disclosure or duplication without proper written approval is strictly prohibited. Acceptance and use of this drawing constitutes knowledge and acceptance by the user of the terms and conditions set forth in the notice and warning which accompanied this drawing is incorporated herein and made part hereof and is found on Cardinal Systems, Inc's website at www.CardinalSystemsInc.com



**Pool Size:** 16' X 36'      **Approx Gal:** 21,284  
**Pool Shape:** DOUBLE RECTANGLE  
**Pool Number:** 1636DR (PLASTIC)

250 Route 61 South, Schuylkill Haven, PA 17972 • 570-385-4733 • fax: 570-385-1318 • CustomerService@CardinalSystemsInc.com



**Date:** 5/10/2022

**Perimeter:** 103'-8 1/2"

**Drawn By:** AUSTIN K

**Area:** 585.1 SQ. FT.

**Scale:** 1/8" = 1'-0"

**Notes:** - - - -



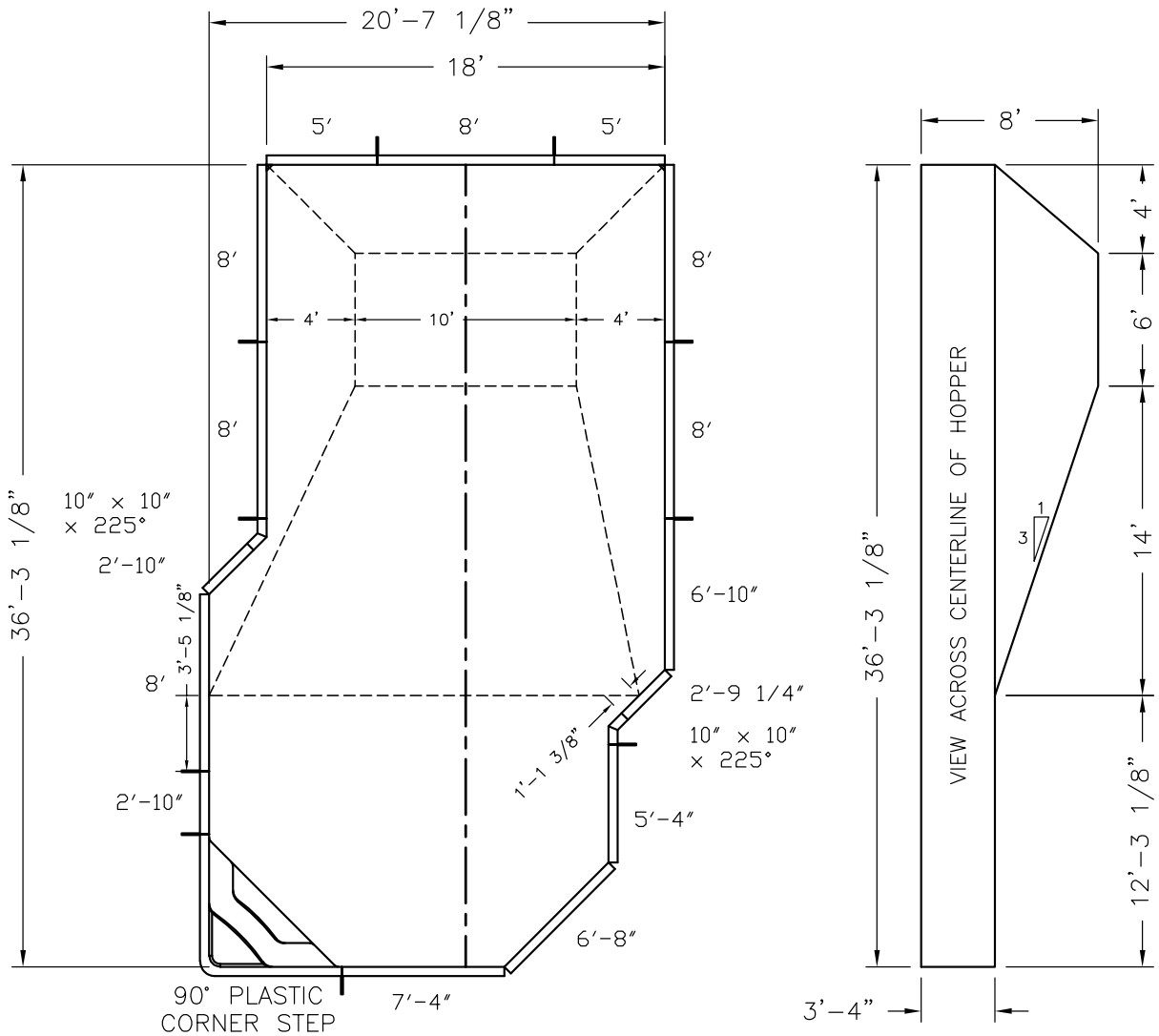
This information is the confidential property of Cardinal Systems, Inc. Disclosure or duplication without proper written approval is strictly prohibited. Acceptance and use of this drawing constitutes knowledge and acceptance by the user of the terms and conditions set forth in the notice and warning which accompanied this drawing is incorporated herein and made part hereof and is found on Cardinal Systems, Inc's website at www.CardinalSystemsInc.com



**Pool Size:** 18' X 36'  
**Pool Shape:** DOUBLE RECTANGLE  
**Pool Number:** 1836DR (PLASTIC)

**Approx Gal:** 23,921

250 Route 61 South, Schuylkill Haven, PA 17972 • 570-385-4733 • fax: 570-385-1318 • CustomerService@CardinalSystemsinc.com



**Date:** 5/10/2022

**Drawn By:** AUSTIN K

**Scale:** 1/8" = 1'-0"

**Perimeter:** 107'-8 5/8"

**Area:** 657.6 SQ. FT.

**Notes:** -----



cardinalpools.com




**Pool Size:** 18' X 36'      **Approx Gal:** 23,921  
**Pool Shape:** DOUBLE RECTANGLE  
**Pool Number:** 1836DR (PLASTIC)

250 Route 61 South, Schuylkill Haven, PA 17972 • 570-385-4733 • fax: 570-385-1318 • CustomerService@CardinalSystemsinc.com

### Bill of Materials

PART NO.	QUANTITY	DESCRIPTION
"A" FRAME	10	"A" FRAME ASSEMBLY
CS901GC	4	GRECIAN CORNER ANGLE
CS902SA	2	90 DEG CORNER ANGLE
CS902SB	2	6" RAD CORNER FILLER "BIG VEE"
5S42292XXX0	1	2'-9 1/4" Straight PANEL W/0 Z
5S422T0XXX0	2	2'-10" Straight PANEL W/0 Z
5S42500XXX0	2	5' Straight PANEL W/0 Z
5S42540XXX0	1	5'-4" Straight PANEL W/0 Z
5S42680XXX1	1	6'-8" Straight PANEL W/1 Z
5S426T0XXX1	1	6'-10" Straight PANEL W/1 Z
5S42740XXX2	1	7'-4" Straight PANEL W/2 Z
5S42800XXX2	6	8' Straight PANEL W/2 Z
5T420T02250T0	2	T" x T" x 225° ELL

<b>Date:</b> 5/10/2022	<b>Perimeter:</b> 107'-8 5/8"	 <small>cardinalpools.com</small>
<b>Drawn By:</b> AUSTIN K	<b>Area:</b> 657.6 SQ. FT.	
<b>Scale:</b> 1/8" = 1'-0"	<b>Notes:</b> - - - -	

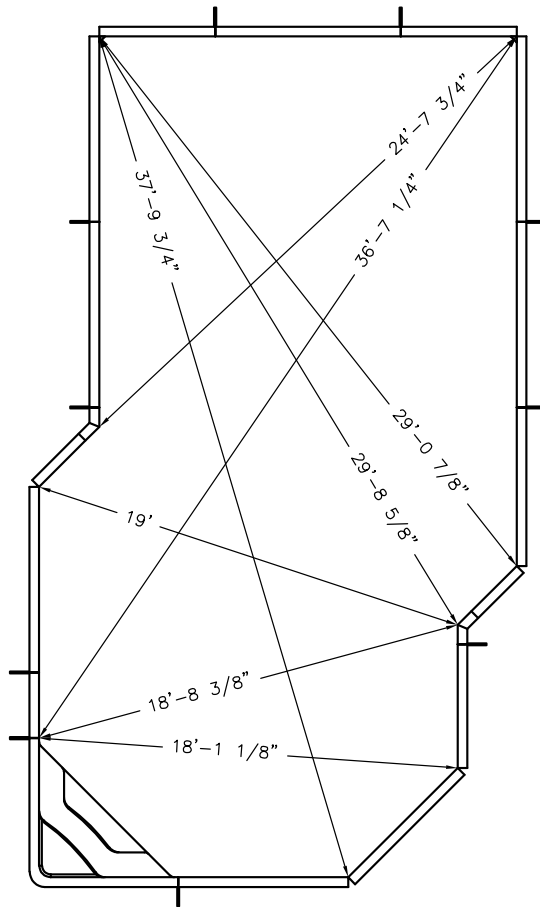
This information is the confidential property of Cardinal Systems, Inc. Disclosure or duplication without proper written approval is strictly prohibited. Acceptance and use of this drawing constitutes knowledge and acceptance by the user of the terms and conditions set forth in the notice and warning which accompanied this drawing is incorporated herein and made part hereof and is found on Cardinal Systems, Inc's website at [www.CardinalSystemsInc.com](http://www.CardinalSystemsInc.com)



**Pool Size:** 18' X 36'  
**Pool Shape:** DOUBLE RECTANGLE  
**Pool Number:** 1836DR (PLASTIC)

**Approx Gal:** 23,921

250 Route 61 South, Schuylkill Haven, PA 17972 • 570-385-4733 • fax: 570-385-1318 • CustomerService@CardinalSystemsinc.com



**Date:** 5/10/2022

**Perimeter:** 107'-8 5/8"

**Drawn By:** AUSTIN K

**Area:** 657.6 SQ. FT.

**Scale:** 1/8" = 1'-0"

**Notes:** - - - -



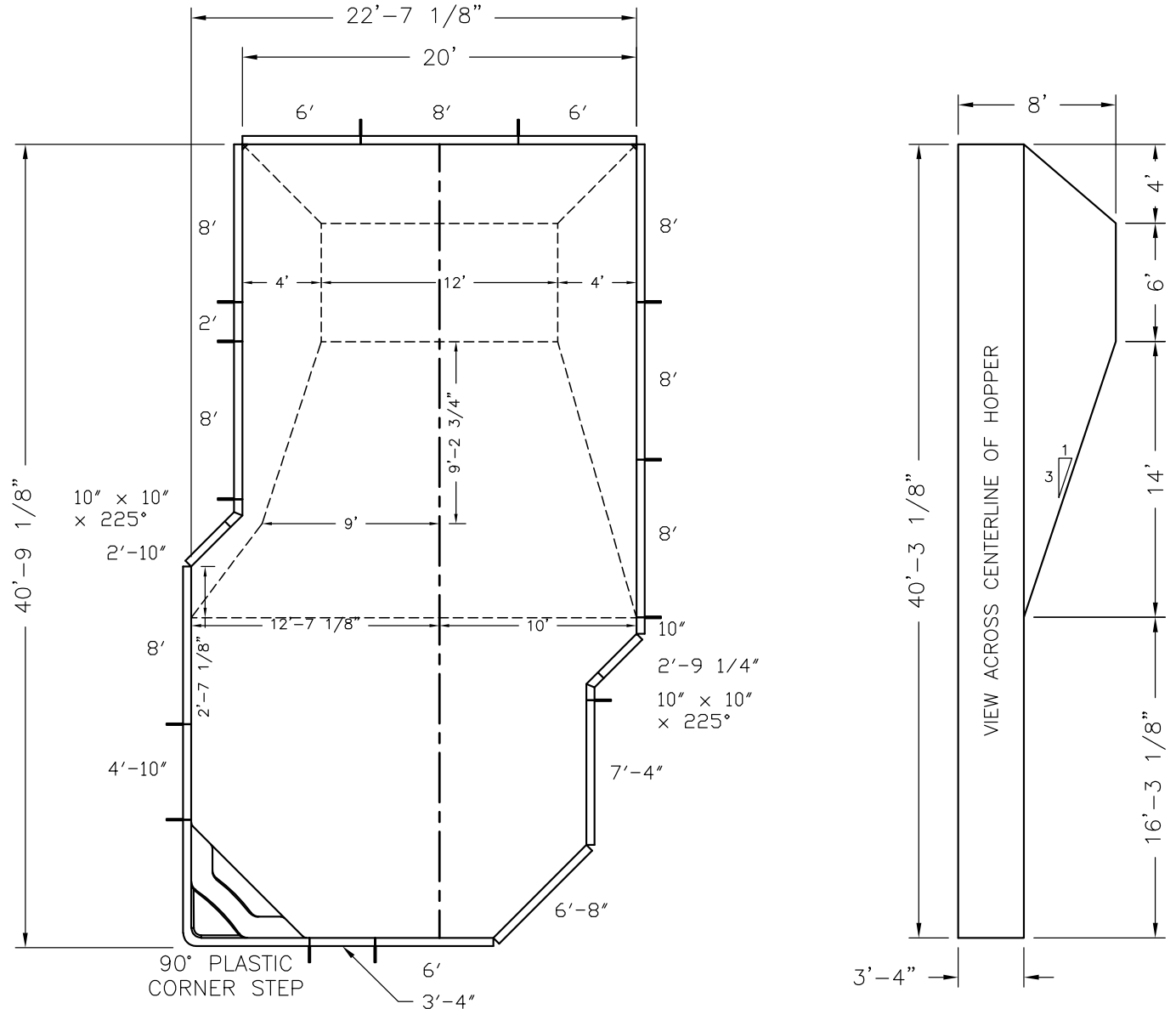
This information is the confidential property of Cardinal Systems, Inc. Disclosure or duplication without proper written approval is strictly prohibited. Acceptance and use of this drawing constitutes knowledge and acceptance by the user of the terms and conditions set forth in the notice and warning which accompanied this drawing is incorporated herein and made part hereof and is found on Cardinal Systems, Inc's website at [www.CardinalSystemsInc.com](http://www.CardinalSystemsInc.com)





**Pool Size:** 20' X 40'      **Approx Gal:** 29,475  
**Pool Shape:** DOUBLE RECTANGLE  
**Pool Number:** 2040DR (PLASTIC)

250 Route 61 South, Schuylkill Haven, PA 17972 • 570-385-4733 • fax: 570-385-1318 • CustomerService@CardinalSystemsinc.com



<b>Date:</b> 5/10/2022	<b>Perimeter:</b> 119'-11 1/4"
<b>Drawn By:</b> AUSTIN K	<b>Area:</b> 810.3 SQ. FT.
<b>Scale:</b> 1/8" = 1'-0"	<b>Notes:</b> -----



This information is the confidential property of Cardinal Systems, Inc. Disclosure or duplication without proper written approval is strictly prohibited. Acceptance and use of this drawing constitutes knowledge and acceptance by the user of the terms and conditions set forth in the notice and warning which accompanied this drawing is incorporated herein and made part hereof and is found on Cardinal Systems, Inc's website at www.CardinalSystemsInc.com




**Pool Size:** 20' X 40'      **Approx Gal:** 29,475  
**Pool Shape:** DOUBLE RECTANGLE  
**Pool Number:** 2040DR (PLASTIC)

250 Route 61 South, Schuylkill Haven, PA 17972 • 570-385-4733 • fax: 570-385-1318 • CustomerService@CardinalSystemsinc.com

### Bill of Materials

PART NO.	QUANTITY	DESCRIPTION
"A" FRAME	13	"A" FRAME ASSEMBLY
CS901GC	4	GRECIAN CORNER ANGLE
CS902SA	2	90 DEG CORNER ANGLE
CS902SB	2	6" RAD CORNER FILLER "BIG VEE"
5S420T0XXX0	1	1" Straight PANEL W/0 Z
5S42200XXX0	1	2" Straight PANEL W/0 Z
5S42292XXX0	1	2'-9 1/4" Straight PANEL W/0 Z
5S422T0XXX0	1	2'-10" Straight PANEL W/0 Z
5S42340XXX0	1	3'-4" Straight PANEL W/0 Z
5S424T0XXX0	1	4'-10" Straight PANEL W/0 Z
5S42600XXX1	3	6' Straight PANEL W/1 Z
5S42680XXX1	1	6'-8" Straight PANEL W/1 Z
5S42740XXX2	1	7'-4" Straight PANEL W/2 Z
5S42800XXX2	7	8" Straight PANEL W/2 Z
5T420T02250T0	2	T" x T" x 225° ELL

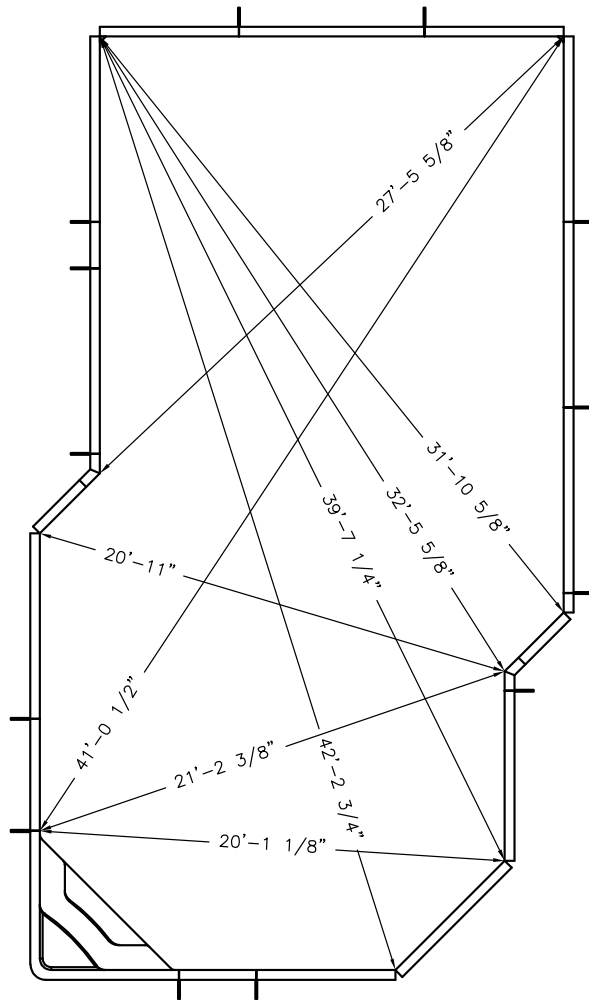
<b>Date:</b> 5/10/2022	<b>Perimeter:</b> 119'-11 1/4"	 <small>cardinalpools.com</small>
<b>Drawn By:</b> AUSTIN K	<b>Area:</b> 810.3 SQ. FT.	
<b>Scale:</b> 1/8" = 1'-0"	<b>Notes:</b> - - - -	

This information is the confidential property of Cardinal Systems, Inc. Disclosure or duplication without proper written approval is strictly prohibited. Acceptance and use of this drawing constitutes knowledge and acceptance by the user of the terms and conditions set forth in the notice and warning which accompanied this drawing is incorporated herein and made part hereof and is found on Cardinal Systems, Inc's website at [www.CardinalSystemsInc.com](http://www.CardinalSystemsInc.com)



**Pool Size:** 20' X 40'      **Approx Gal:** 29,475  
**Pool Shape:** DOUBLE RECTANGLE  
**Pool Number:** 2040DR (PLASTIC)

250 Route 61 South, Schuylkill Haven, PA 17972 • 570-385-4733 • fax: 570-385-1318 • CustomerService@CardinalSystemsInc.com



**Date:** 5/10/2022

**Perimeter:** 119'-11 1/4"

**Drawn By:** AUSTIN K

**Area:** 810.3 SQ. FT.

**Scale:** 1/8" = 1'-0"

**Notes:** - - - -



This information is the confidential property of Cardinal Systems, Inc. Disclosure or duplication without proper written approval is strictly prohibited. Acceptance and use of this drawing constitutes knowledge and acceptance by the user of the terms and conditions set forth in the notice and warning which accompanied this drawing is incorporated herein and made part hereof and is found on Cardinal Systems, Inc's website at [www.CardinalSystemsInc.com](http://www.CardinalSystemsInc.com)

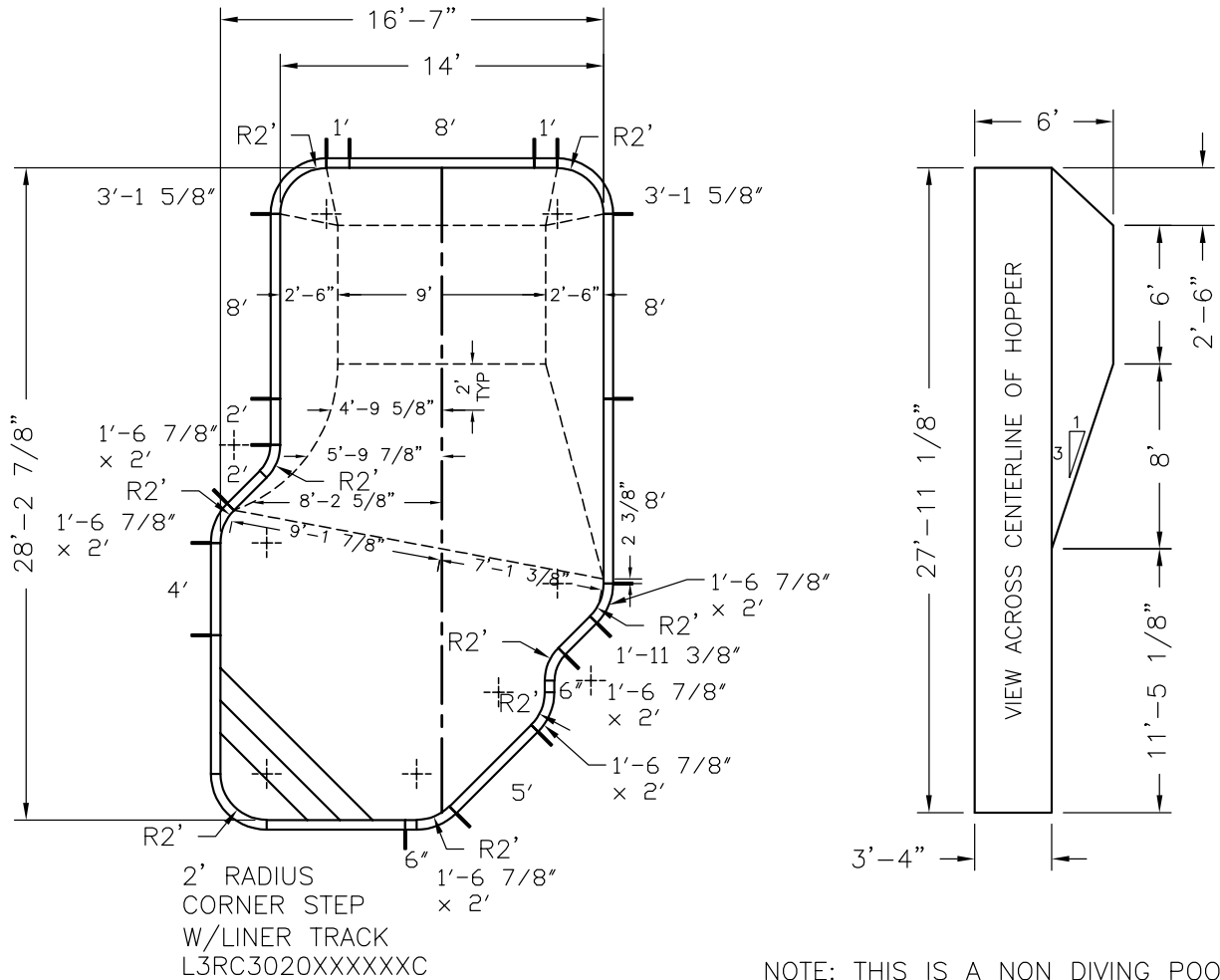


**Pool Size:** 14' X 28' **Approx Gal:** 12,668  
**Pool Shape:** DOUBLE RECTANGLE  
**Pool Number:** 1428DR2R (STEEL)

250 Route 61 South, Schuylkill Haven, PA 17972 • 570-385-4733 • fax: 570-385-1318 • CustomerService@CardinalSystemsinc.com

### Bill of Materials

PART NO.	QUANTITY	DESCRIPTION
"A" FRAME	18	"A" FRAME ASSEMBLY
5C42315XX02000	2	2' RADIUS CORNER
L3RC3020XXXXXXC	1	2' RADIUS CORNER STEP W/LINER TRACK
5C42167XX02000	4	1'-6 7/8" x 2' Radius C PANEL W/O Z
5R42167XX02000	2	1'-6 7/8" x 2' Radius R PANEL W/O Z
5S42060XXX0	2	6" Straight PANEL W/O Z
5S42100XXX0	2	1' Straight PANEL W/O Z
5S421E3XXX0	1	1'-11 3/8" Straight PANEL W/O Z
5S42200XXX0	2	2' Straight PANEL W/O Z
5S42400XXX0	1	4' Straight PANEL W/O Z
5S42500XXX0	1	5' Straight PANEL W/O Z
5S42800XXX2	4	8' Straight PANEL W/2 Z



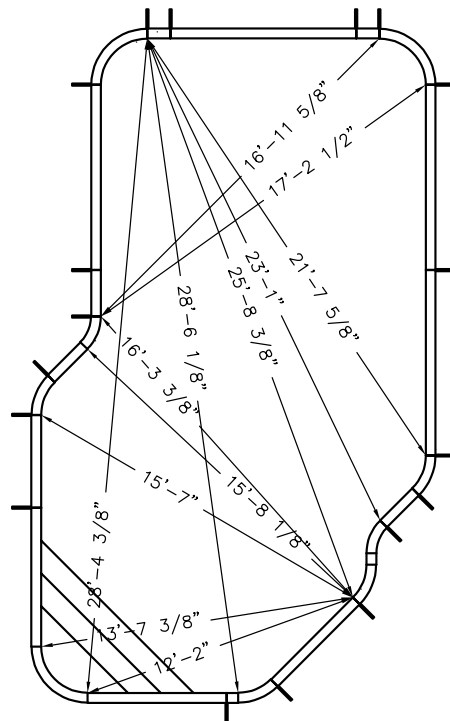
<b>Date:</b> 5/10/2022	<b>Perimeter:</b> 80'-9 5/8"	
<b>Drawn By:</b> AUSTIN K	<b>Area:</b> 397.4 SQ. FT.	
<b>Scale:</b> 1/8" = 1'-0"	<b>Notes:</b> -----	


This Information Is the confidential property of Cardinal Systems, Inc. Disclosure or duplication without proper written approval is strictly prohibited. Acceptance and use of this drawing constitutes knowledge and acceptance by the user of the terms and conditions set forth in the notice and warning which accompanied this drawing is incorporated herein and made part hereof and is found on Cardinal Systems, Inc's website at www.CardinalSystemsInc.com



**Pool Size:** 14' X 28'      **Approx Gal:** 12,668  
**Pool Shape:** DOUBLE RECTANGLE  
**Pool Number:** 1428DR2R (STEEL)

250 Route 61 South, Schuylkill Haven, PA 17972 • 570-385-4733 • fax: 570-385-1318 • CustomerService@CardinalSystemsinc.com



<b>Date:</b> 5/10/2022	<b>Perimeter:</b> 80' - 9 5/8"	 cardinalpools.com
<b>Drawn By:</b> AUSTIN K	<b>Area:</b> 397.4 SQ. FT.	
<b>Scale:</b> 1/8" = 1'-0"	<b>Notes:</b> - - - -	

This information is the confidential property of Cardinal Systems, Inc. Disclosure or duplication without proper written approval is strictly prohibited. Acceptance and use of this drawing constitutes knowledge and acceptance by the user of the terms and conditions set forth in the notice and warning which accompanied this drawing is incorporated herein and made part hereof and is found on Cardinal Systems, Inc's website at www.CardinalSystemsInc.com

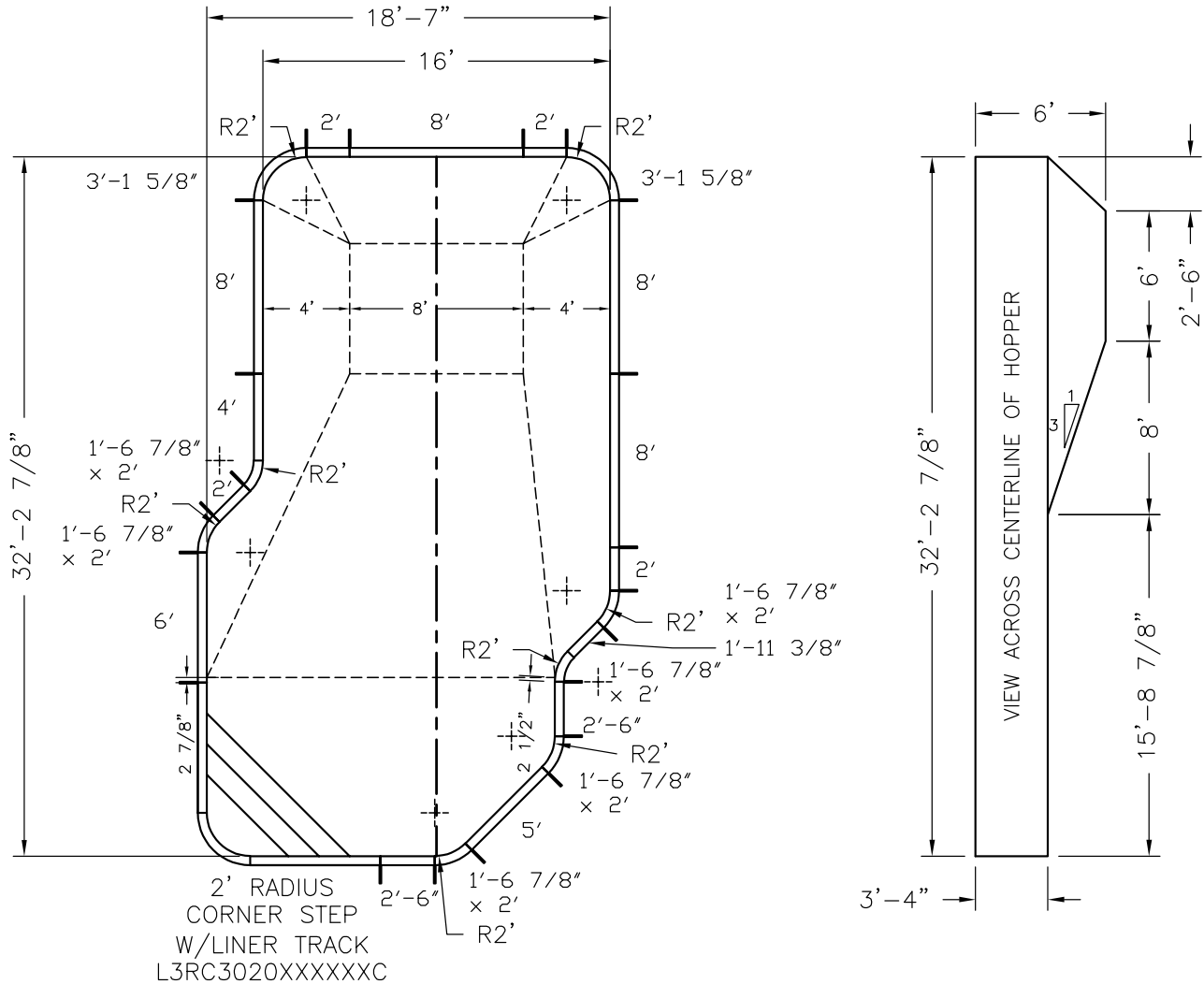


**Pool Size:** 16' X 32' **Approx Gal:** 18,839  
**Pool Shape:** DOUBLE RECTANGLE  
**Pool Number:** 1632DR2R (STEEL)

250 Route 61 South, Schuylkill Haven, PA 17972 • 570-385-4733 • fax: 570-385-1318 • CustomerService@CardinalSystemsinc.com

### Bill of Materials

PART NO.	QUANTITY	DESCRIPTION
"A" FRAME	21	"A" FRAME ASSEMBLY
5C42315XX02000	2	2' RADIUS CORNER
L3RC3020XXXXXXC	1	2' RADIUS CORNER STEP W/LINER TRACK
5C42167XX02000	4	1'-6 7/8" x 2' Radius C PANEL W/0 Z
5R42167XX02000	2	1'-6 7/8" x 2' Radius R PANEL W/0 Z
5S421E3XXX0	1	1'-11 3/8" Straight PANEL W/0 Z
5S42200XXX0	4	2' Straight PANEL W/0 Z
5S42260XXX0	2	2'-6" Straight PANEL W/0 Z
5S42400XXX0	1	4' Straight PANEL W/0 Z
5S42500XXX0	1	5' Straight PANEL W/0 Z
5S42600XXX1	1	6' Straight PANEL W/1 Z
5S42800XXX2	4	8' Straight PANEL W/2 Z



**Date:** 5/10/2022

**Perimeter:** 92'-9 5/8"

**Drawn By:** AUSTIN K

**Area:** 517.9 SQ. FT.

**Scale:** 1/8" = 1'-0"

**Notes:** -----



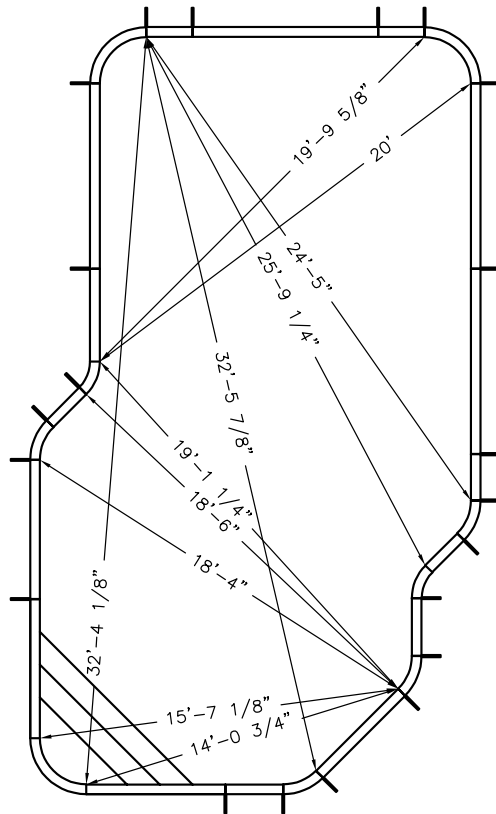
cardinalpools.com


This information is the confidential property of Cardinal Systems, Inc. Disclosure or duplication without proper written approval is strictly prohibited. Acceptance and use of this drawing constitutes knowledge and acceptance by the user of the terms and conditions set forth in the notice and warning which accompanied this drawing is incorporated herein and made part hereof and is found on Cardinal Systems, Inc's website at www.CardinalSystemsInc.com



**Pool Size:** 16' X 32'     **Approx Gal:** 18,839  
**Pool Shape:** DOUBLE RECTANGLE  
**Pool Number:** 1632DR2R (STEEL)

250 Route 61 South, Schuylkill Haven, PA 17972 • 570-385-4733 • fax: 570-385-1318 • CustomerService@CardinalSystemsinc.com



<b>Date:</b> 5/10/2022	<b>Perimeter:</b> 92' - 9 5/8"	 cardinalpools.com
<b>Drawn By:</b> AUSTIN K	<b>Area:</b> 517.9 SQ. FT.	
<b>Scale:</b> 1/8" = 1'-0"	<b>Notes:</b> - - - -	

This information is the confidential property of Cardinal Systems, Inc. Disclosure or duplication without proper written approval is strictly prohibited. Acceptance and use of this drawing constitutes knowledge and acceptance by the user of the terms and conditions set forth in the notice and warning which accompanied this drawing is incorporated herein and made part hereof and is found on Cardinal Systems, Inc's website at www.CardinalSystemsInc.com

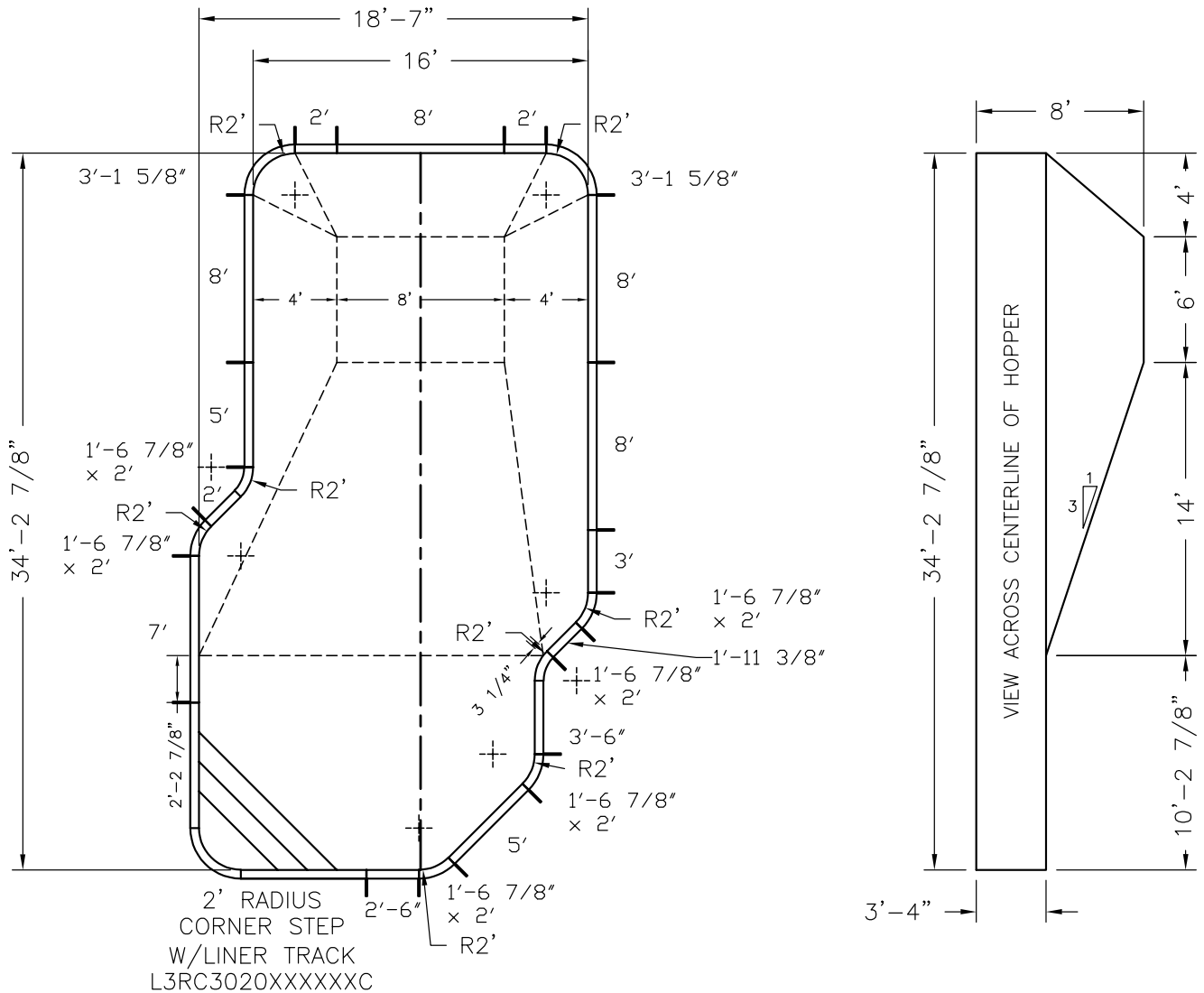


**Pool Size:** 16' X 34' **Approx Gal:** 20,227  
**Pool Shape:** DOUBLE RECTANGLE  
**Pool Number:** 1634DR2R (STEEL)

250 Route 61 South, Schuylkill Haven, PA 17972 • 570-385-4733 • fax: 570-385-1318 • CustomerService@CardinalSystemsinc.com

### Bill of Materials

PART NO.	QUANTITY	DESCRIPTION
"A" FRAME	21	"A" FRAME ASSEMBLY
5C42315XX02000	2	2' RADIUS CORNER
L3RC3020XXXXXXC	1	2' RADIUS CORNER STEP W/LINER TRACK
5C42167XX02000	4	1'-6 7/8" x 2' Radius C PANEL W/0 Z
5R42167XX02000	2	1'-6 7/8" x 2' Radius R PANEL W/0 Z
5S421E3XXX0	1	1'-11 3/8" Straight PANEL W/0 Z
5S42200XXX0	3	2' Straight PANEL W/0 Z
5S42260XXX0	1	2'-6" Straight PANEL W/0 Z
5S42300XXX0	1	3' Straight PANEL W/0 Z
5S42360XXX0	1	3'-6" Straight PANEL W/0 Z
5S42500XXX0	2	5' Straight PANEL W/0 Z
5S42700XXX2	1	7' Straight PANEL W/2 Z
5S42800XXX2	4	8' Straight PANEL W/2 Z



<b>Date:</b> 5/10/2022	<b>Perimeter:</b> 96'-9 5/8"	
<b>Drawn By:</b> AUSTIN K	<b>Area:</b> 550.0 SQ. FT.	
<b>Scale:</b> 1/8" = 1'-0"	<b>Notes:</b> -----	

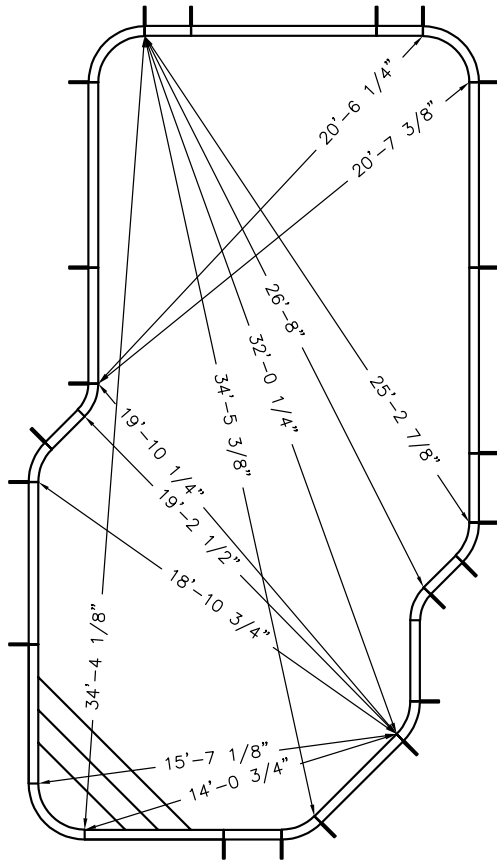
This information is the confidential property of Cardinal Systems, Inc. Disclosure or duplication without proper written approval is strictly prohibited. Acceptance and use of this drawing constitutes knowledge and acceptance by the user of the terms and conditions set forth in the notice and warning which accompanied this drawing is incorporated herein and made part hereof and is found on Cardinal Systems, Inc's website at [www.CardinalSystemsInc.com](http://www.CardinalSystemsInc.com)





**Pool Size:** 16' X 34' **Approx Gal:** 20,227  
**Pool Shape:** DOUBLE RECTANGLE  
**Pool Number:** 1634DR2R (STEEL)

250 Route 61 South, Schuylkill Haven, PA 17972 • 570-385-4733 • fax: 570-385-1318 • CustomerService@CardinalSystemsInc.com



**Date:** 5/10/2022

**Perimeter:** 96' - 9 5/8"

**Drawn By:** AUSTIN K

**Area:** 550.0 SQ. FT.

**Scale:** 1/8" = 1'-0"

**Notes:** - - - -



cardinalpools.com

This information is the confidential property of Cardinal Systems, Inc. Disclosure or duplication without proper written approval is strictly prohibited. Acceptance and use of this drawing constitutes knowledge and acceptance by the user of the terms and conditions set forth in the notice and warning which accompanied this drawing is incorporated herein and made part hereof and is found on Cardinal Systems, Inc's website at www.CardinalSystemsInc.com

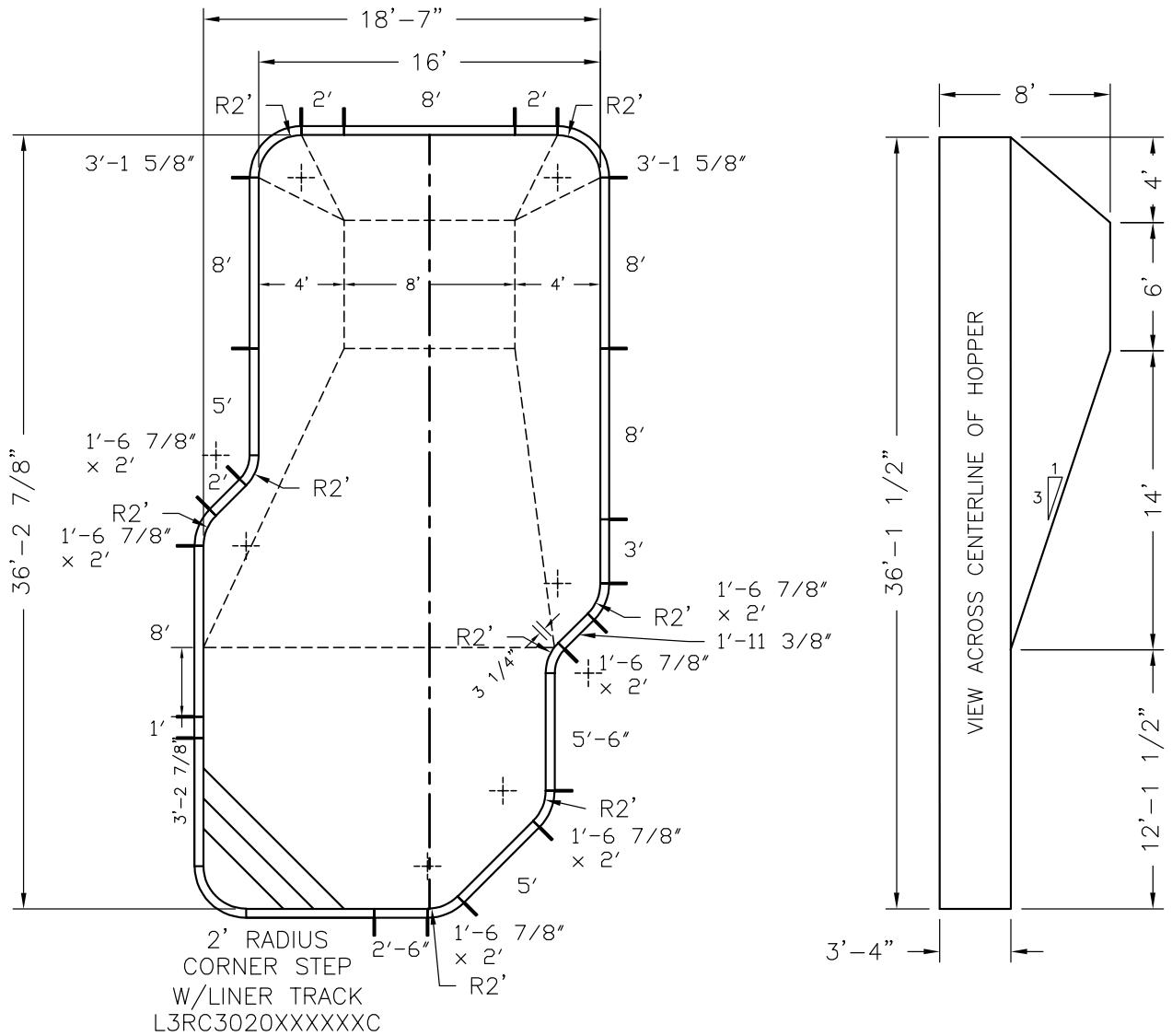



**Pool Size:** 16' X 36' **Approx Gal:** 21,171  
**Pool Shape:** DOUBLE RECTANGLE  
**Pool Number:** 1636DR2R (STEEL)

250 Route 61 South, Schuylkill Haven, PA 17972 • 570-385-4733 • fax: 570-385-1318 • CustomerService@CardinalSystemsinc.com

Bill of Materials

PART NO.	QUANTITY	DESCRIPTION
"A" FRAME	22	"A" FRAME ASSEMBLY
5C42315XX02000	2	2' RADIUS CORNER
L3RC3020XXXXXXC	1	2' RADIUS CORNER STEP W/LINER TRACK
5C42167XX02000	4	1'-6 7/8" x 2' Radius C PANEL W/0 Z
5R42167XX02000	2	1'-6 7/8" x 2' Radius R PANEL W/0 Z
5S42100XXX0	1	1' Straight PANEL W/0 Z
5S421E3XXX0	1	1'-11 3/8" Straight PANEL W/0 Z
5S42200XXX0	3	2' Straight PANEL W/0 Z
5S42260XXX0	1	2'-6" Straight PANEL W/0 Z
5S42300XXX0	1	3' Straight PANEL W/0 Z
5S42500XXX0	2	5' Straight PANEL W/0 Z
5S42560XXX0	1	5'-6" Straight PANEL W/0 Z
5S42800XXX2	5	8' Straight PANEL W/2 Z



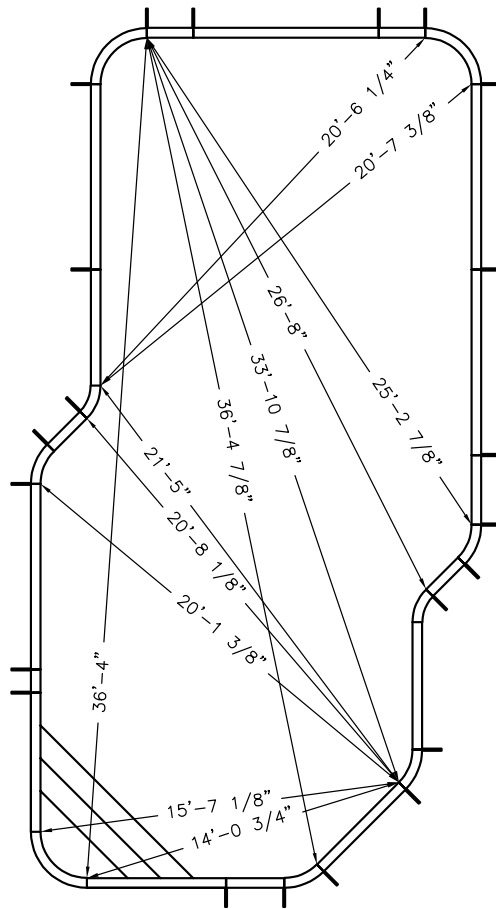
<b>Date:</b> 5/10/2022	<b>Perimeter:</b> 100'-9 5/8"	 cardinalpools.com
<b>Drawn By:</b> AUSTIN K	<b>Area:</b> 582.0 SQ. FT.	
<b>Scale:</b> 1/8" = 1'-0"	<b>Notes:</b> -----	

This information is the confidential property of Cardinal Systems, Inc. Disclosure or duplication without proper written approval is strictly prohibited. Acceptance and use of this drawing constitutes knowledge and acceptance by the user of the terms and conditions set forth in the notice and warning which accompanied this drawing is incorporated herein and made part hereof and is found on Cardinal Systems, Inc's website at www.CardinalSystemsInc.com



**Pool Size:** 16' X 36' **Approx Gal:** 21,171  
**Pool Shape:** DOUBLE RECTANGLE  
**Pool Number:** 1636DR2R (STEEL)

250 Route 61 South, Schuylkill Haven, PA 17972 • 570-385-4733 • fax: 570-385-1318 • CustomerService@CardinalSystemsinc.com



**Date:** 5/10/2022

**Perimeter:** 100'-9 5/8"

**Drawn By:** AUSTIN K

**Area:** 582.0 SQ. FT.

**Scale:** 1/8" = 1'-0"

**Notes:** - - - -



cardinalpools.com

This information is the confidential property of Cardinal Systems, Inc. Disclosure or duplication without proper written approval is strictly prohibited. Acceptance and use of this drawing constitutes knowledge and acceptance by the user of the terms and conditions set forth in the notice and warning which accompanied this drawing is incorporated herein and made part hereof and is found on Cardinal Systems, Inc's website at www.CardinalSystemsInc.com

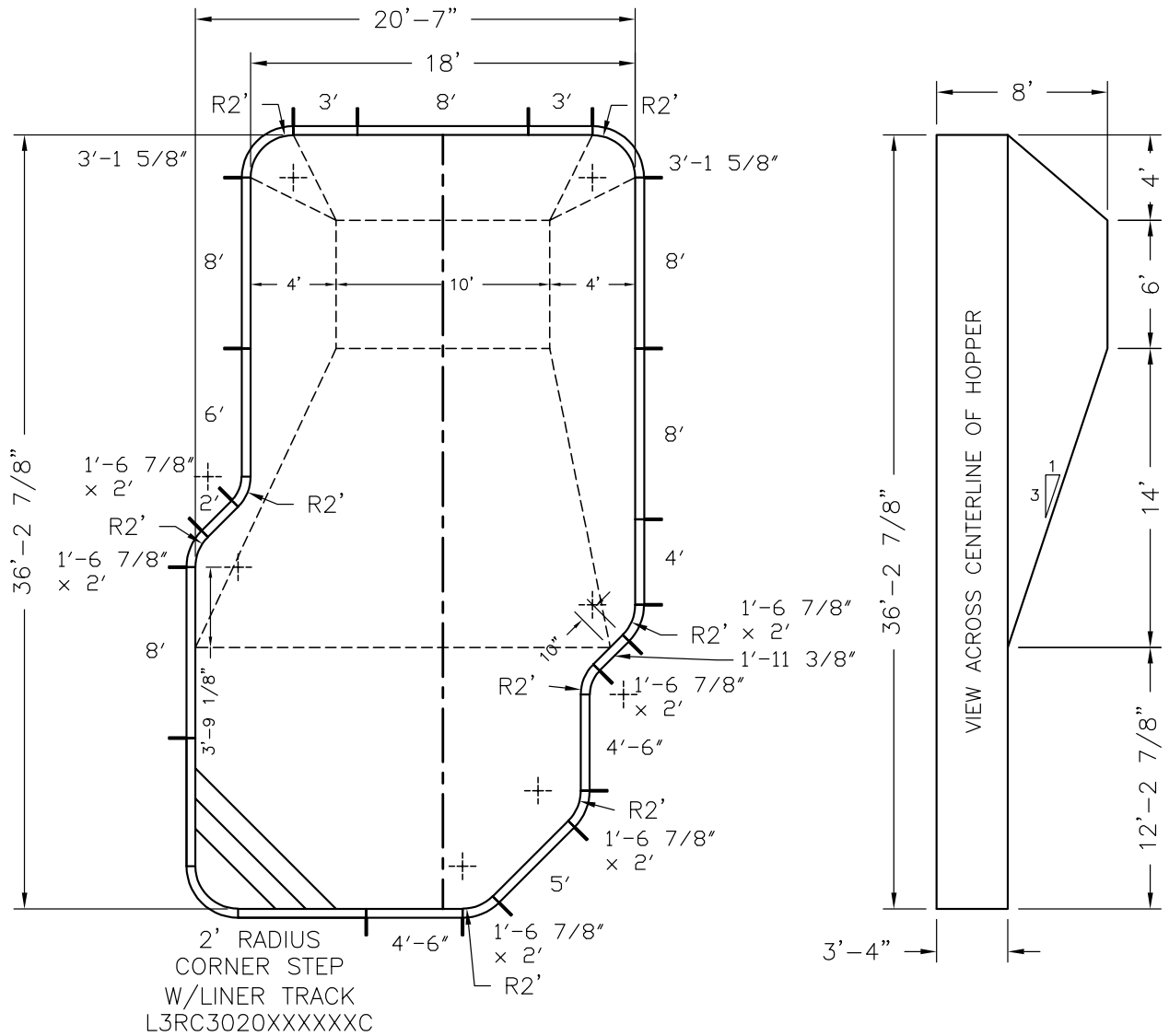


**Pool Size:** 18' X 36' **Approx Gal:** 23,808  
**Pool Shape:** DOUBLE RECTANGLE  
**Pool Number:** 1836DR2R (STEEL)

250 Route 61 South, Schuylkill Haven, PA 17972 • 570-385-4733 • fax: 570-385-1318 • CustomerService@CardinalSystemsinc.com

### Bill of Materials

PART NO.	QUANTITY	DESCRIPTION
"A" FRAME	21	"A" FRAME ASSEMBLY
5C42315XX02000	2	2' RADIUS CORNER
L3RC3020XXXXXXC	1	2' RADIUS CORNER STEP W/LINER TRACK
5C42167XX02000	4	1'-6 7/8" x 2' Radius C PANEL W/0 Z
5R42167XX02000	2	1'-6 7/8" x 2' Radius R PANEL W/0 Z
5S421E3XXX0	1	1'-11 3/8" Straight PANEL W/0 Z
5S42200XXX0	1	2' Straight PANEL W/0 Z
5S42300XXX0	2	3' Straight PANEL W/0 Z
5S42400XXX0	1	4' Straight PANEL W/0 Z
5S42460XXX0	2	4'-6" Straight PANEL W/0 Z
5S42500XXX0	1	5' Straight PANEL W/0 Z
5S42600XXX1	1	6' Straight PANEL W/1 Z
5S42800XXX2	5	8' Straight PANEL W/2 Z



Date: 5/10/2022

Perimeter: 104'-9 5/8"

Drawn By: AUSTIN K

Area: 654.5 SQ. FT.

Scale: 1/8" = 1'-0"

Notes: -----



cardinalpools.com

This information is the confidential property of Cardinal Systems, Inc. Disclosure or duplication without proper written approval is strictly prohibited. Acceptance and use of this drawing constitutes knowledge and acceptance by the user of the terms and conditions set forth in the notice and warning which accompanied this drawing is incorporated herein and made part hereof and is found on Cardinal Systems, Inc's website at www.CardinalSystemsInc.com

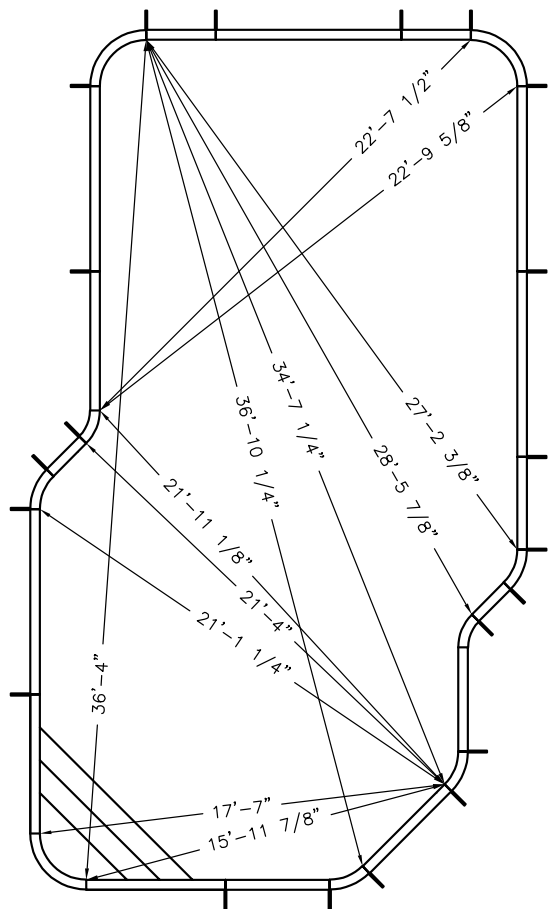


**Pool Size:** 18' X 36' **Approx Gal:** 23,808

**Pool Shape:** DOUBLE RECTANGLE

**Pool Number:** 1836DR2R (STEEL)

250 Route 61 South, Schuylkill Haven, PA 17972 • 570-385-4733 • fax: 570-385-1318 • CustomerService@CardinalSystemsinc.com



**Date:** 5/10/2022

**Perimeter:** 104'-9 5/8"

**Drawn By:** AUSTIN K

**Area:** 654.5 SQ. FT.

**Scale:** 1/8" = 1'-0"

**Notes:** - - - -



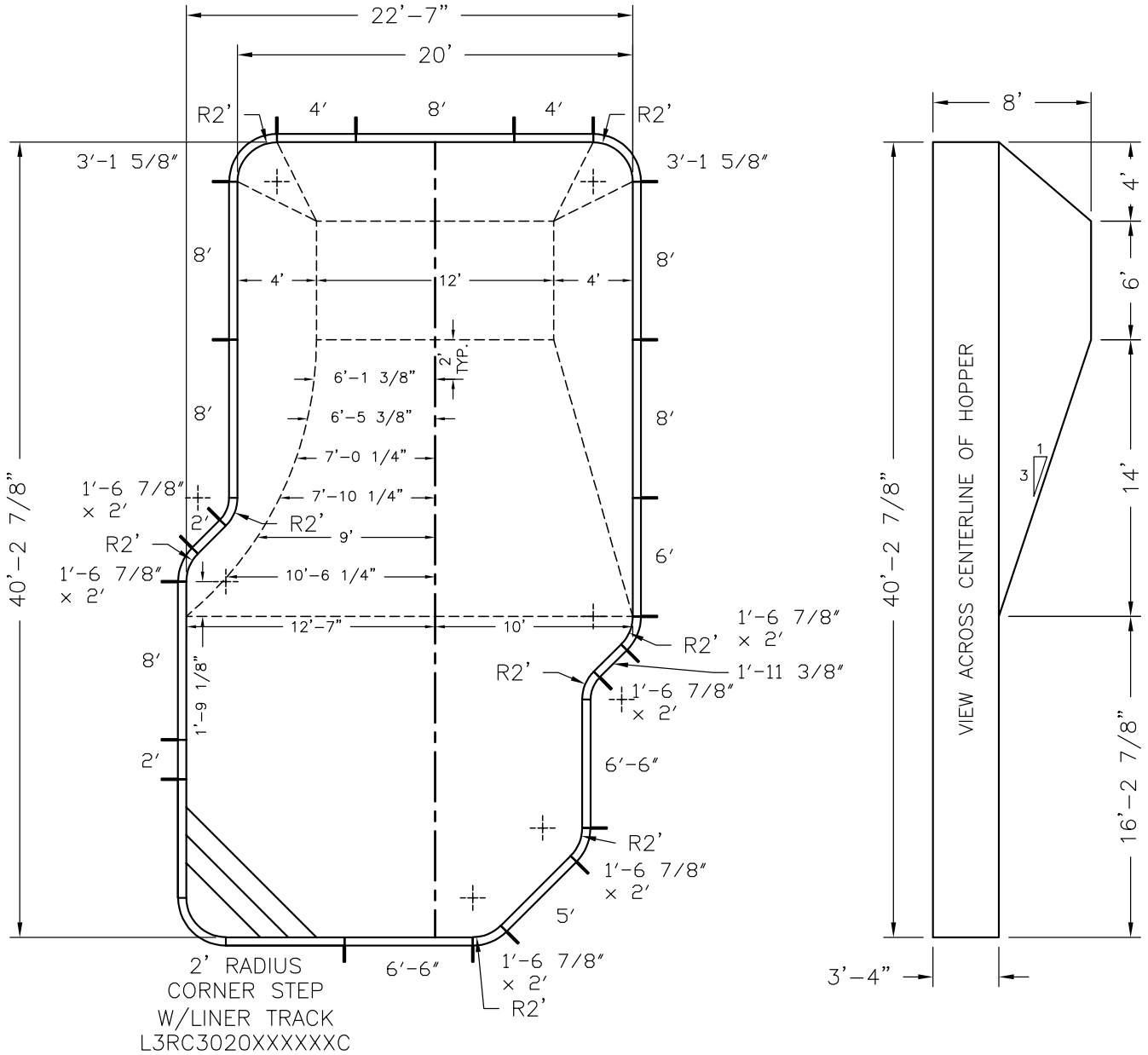
cardinalpools.com


This information is the confidential property of Cardinal Systems, Inc. Disclosure or duplication without proper written approval is strictly prohibited. Acceptance and use of this drawing constitutes knowledge and acceptance by the user of the terms and conditions set forth in the notice and warning which accompanied this drawing is incorporated herein and made part hereof and is found on Cardinal Systems, Inc's website at www.CardinalSystemsInc.com



**Pool Size:** 20' X 40' **Approx Gal:** 29,355  
**Pool Shape:** DOUBLE RECTANGLE  
**Pool Number:** 2040DR2R (STEEL)

250 Route 61 South, Schuylkill Haven, PA 17972 • 570-385-4733 • fax: 570-385-1318 • CustomerService@CardinalSystemsinc.com



<b>Date:</b> 5/10/2022	<b>Perimeter:</b> 116'-9 5/8"	 <small>cardinalpools.com</small>
<b>Drawn By:</b> AUSTIN K	<b>Area:</b> 807.0 SQ. FT.	
<b>Scale:</b> 1/8" = 1'-0"	<b>Notes:</b> -----	

This information is the confidential property of Cardinal Systems, Inc. Disclosure or duplication without proper written approval is strictly prohibited. Acceptance and use of this drawing constitutes knowledge and acceptance by the user of the terms and conditions set forth in the notice and warning which accompanied this drawing is incorporated herein and made part hereof and is found on Cardinal Systems, Inc's website at www.CardinalSystemsInc.com




**Pool Size:** 20' X 40'      **Approx Gal:** 29,355  
**Pool Shape:** DOUBLE RECTANGLE  
**Pool Number:** 2040DR2R (STEEL)

250 Route 61 South, Schuylkill Haven, PA 17972 • 570-385-4733 • fax: 570-385-1318 • CustomerService@CardinalSystemsinc.com

Bill of Materials

PART NO.	QUANTITY	DESCRIPTION
"A" FRAME	22	"A" FRAME ASSEMBLY
5C42315XX02000	2	2' RADIUS CORNER
L3RC3020XXXXXXC	1	2' RADIUS CORNER STEP W/LINER TRACK
5C42167XX02000	4	1'-6 7/8" x 2' Radius C PANEL W/0 Z
5R42167XX02000	2	1'-6 7/8" x 2' Radius R PANEL W/0 Z
5S421E3XXX0	1	1'-11 3/8" Straight PANEL W/0 Z
5S42200XXX0	2	2' Straight PANEL W/0 Z
5S42400XXX0	2	4' Straight PANEL W/0 Z
5S42500XXX0	1	5' Straight PANEL W/0 Z
5S42600XXX1	1	6' Straight PANEL W/1 Z
5S42660XXX1	2	6'-6" Straight PANEL W/1 Z
5S42800XXX2	6	8' Straight PANEL W/2 Z

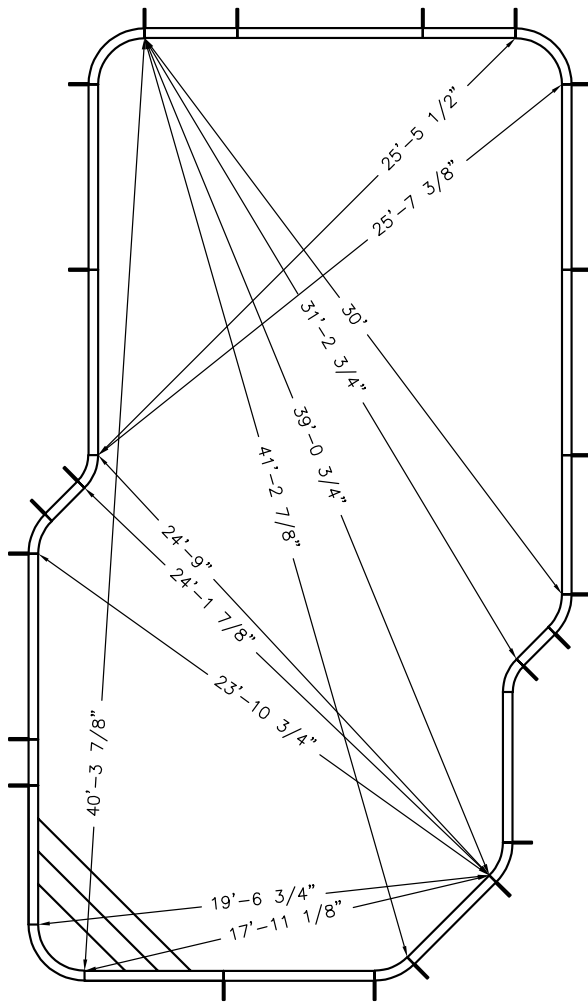
<b>Date:</b> 5/10/2022	<b>Perimeter:</b> 116'-9 5/8"	 <small>cardinalpools.com</small>
<b>Drawn By:</b> AUSTIN K	<b>Area:</b> 807.0 SQ. FT.	
<b>Scale:</b> 1/8" = 1'-0"	<b>Notes:</b> - - - -	


This information is the confidential property of Cardinal Systems, Inc. Disclosure or duplication without proper written approval is strictly prohibited. Acceptance and use of this drawing constitutes knowledge and acceptance by the user of the terms and conditions set forth in the notice and warning which accompanied this drawing is incorporated herein and made part hereof and is found on Cardinal Systems, Inc's website at [www.CardinalSystemsInc.com](http://www.CardinalSystemsInc.com)



**Pool Size:** 20' X 40'      **Approx Gal:** 29,355  
**Pool Shape:** DOUBLE RECTANGLE  
**Pool Number:** 2040DR2R (STEEL)

250 Route 61 South, Schuylkill Haven, PA 17972 • 570-385-4733 • fax: 570-385-1318 • CustomerService@CardinalSystemsinc.com



<b>Date:</b> 5/10/2022	<b>Perimeter:</b> 116'-9 5/8"	 cardinalpools.com
<b>Drawn By:</b> AUSTIN K	<b>Area:</b> 807.0 SQ. FT.	
<b>Scale:</b> 1/8" = 1'-0"	<b>Notes:</b> -----	

This information is the confidential property of Cardinal Systems, Inc. Disclosure or duplication without proper written approval is strictly prohibited. Acceptance and use of this drawing constitutes knowledge and acceptance by the user of the terms and conditions set forth in the notice and warning which accompanied this drawing is incorporated herein and made part hereof and is found on Cardinal Systems, Inc's website at www.CardinalSystemsInc.com





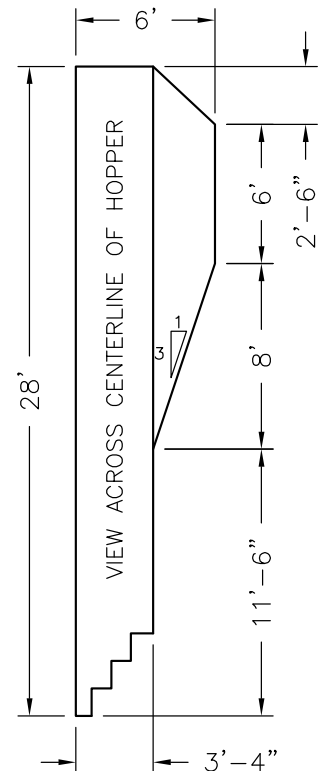
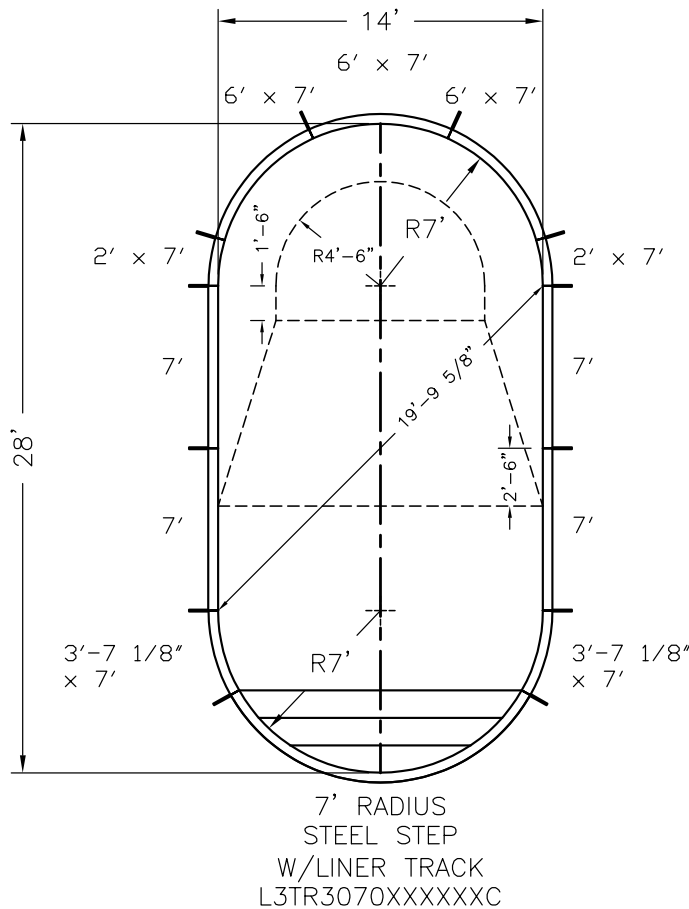
**Pool Size:** 14' X 28'  
**Pool Shape:** OVAL  
**Pool Number:** 1428OVAL (STEEL)

**Approx Gal:** 11,157


250 Route 61 South, Schuylkill Haven, PA 17972 • 570-385-4733 • fax: 570-385-1318 • CustomerService@CardinalSystemsinc.com

Bill of Materials

PART NO.	QUANTITY	DESCRIPTION
"A" FRAME	12	"A" FRAME ASSEMBLY
L3TR3070XXXXXXC	1	7' RADIUS STEEL STEP W/LINER TRACK
5C42200XX07000	2	2' x 7' Radius C PANEL W/O Z
5C42371XX07000	2	3'-7 1/8" x 7' Radius C PANEL W/O Z
5C42600XX07000	3	6' x 7' Radius C PANEL W/O Z
5S42700XXX2	4	7' Straight PANEL W/2 Z



NOTE: THIS IS A NON DIVING POOL.

<b>Date:</b> 5/10/2022	<b>Perimeter:</b> 71'-11 3/4"	 cardinalpools.com
<b>Drawn By:</b> AUSTIN K	<b>Area:</b> 350.0 SQ. FT.	
<b>Scale:</b> 1/8" = 1'-0"	<b>Notes:</b> - - - -	

This Information Is the confidential property of Cardinal Systems, Inc. Disclosure or duplication without proper written approval is strictly prohibited. Acceptance and use of this drawing constitutes knowledge and acceptance by the user of the terms and conditions set forth in the notice and warning which accompanied this drawing is incorporated herein and made part hereof and is found on Cardinal Systems, Inc's website at www.CardinalSystemsinc.com



**Pool Size:** 16' X 32'

**Pool Shape:** OVAL

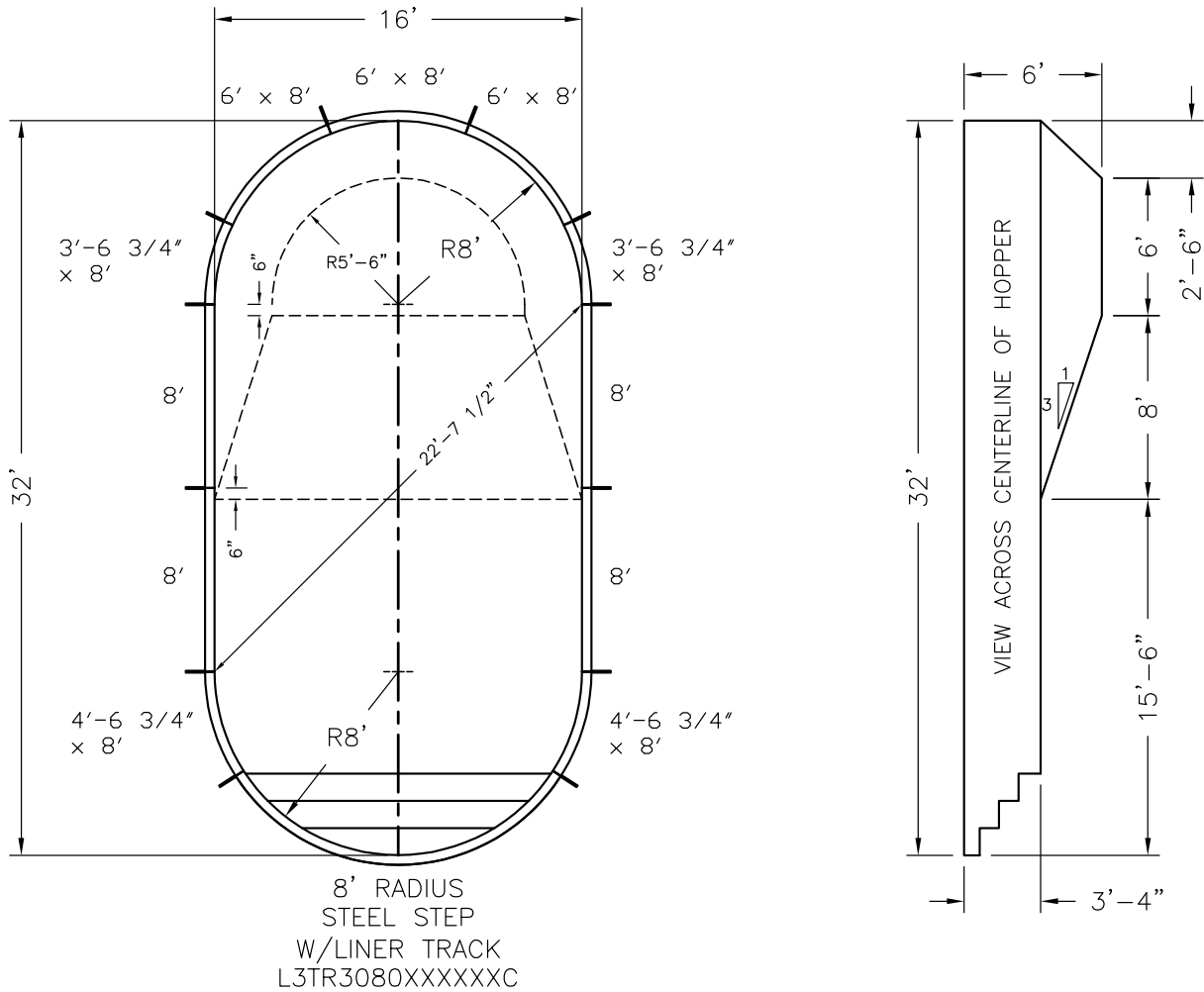
**Approx Gal:** 14,571

**Pool Number:** 16320VAL (STEEL)

250 Route 61 South, Schuylkill Haven, PA 17972 • 570-385-4733 • fax: 570-385-1318 • CustomerService@CardinalSystemsinc.com

Bill of Materials

PART NO.	QUANTITY	DESCRIPTION
"A" FRAME	12	"A" FRAME ASSEMBLY
L3TR3080XXXXXC	1	8' RADIUS STEEL STEP W/LINER TRACK
5C42366XX08000	2	3'-6 3/4" x 8' Radius C PANEL W/0 Z
5C42466XX08000	2	4'-6 3/4" x 8' Radius C PANEL W/0 Z
5C42600XX08000	3	6' x 8' Radius C PANEL W/0 Z
5S42800XXX2	4	8' Straight PANEL W/2 Z



NOTE: THIS IS A NON DIVING POOL.

<b>Date:</b> 5/10/2022	<b>Perimeter:</b> 82'-3 1/8"	
<b>Drawn By:</b> AUSTIN K	<b>Area:</b> 457.1 SQ. FT.	
<b>Scale:</b> 1/8" = 1'-0"	<b>Notes:</b> -----	

This information is the confidential property of Cardinal Systems, Inc. Disclosure or duplication without proper written approval is strictly prohibited. Acceptance and use of this drawing constitutes knowledge and acceptance by the user of the terms and conditions set forth in the notice and warning which accompanied this drawing is incorporated herein and made part hereof and is found on Cardinal Systems, Inc's website at www.CardinalSystemsInc.com



**Pool Size:** 16' X 34'

**Pool Shape:** OVAL

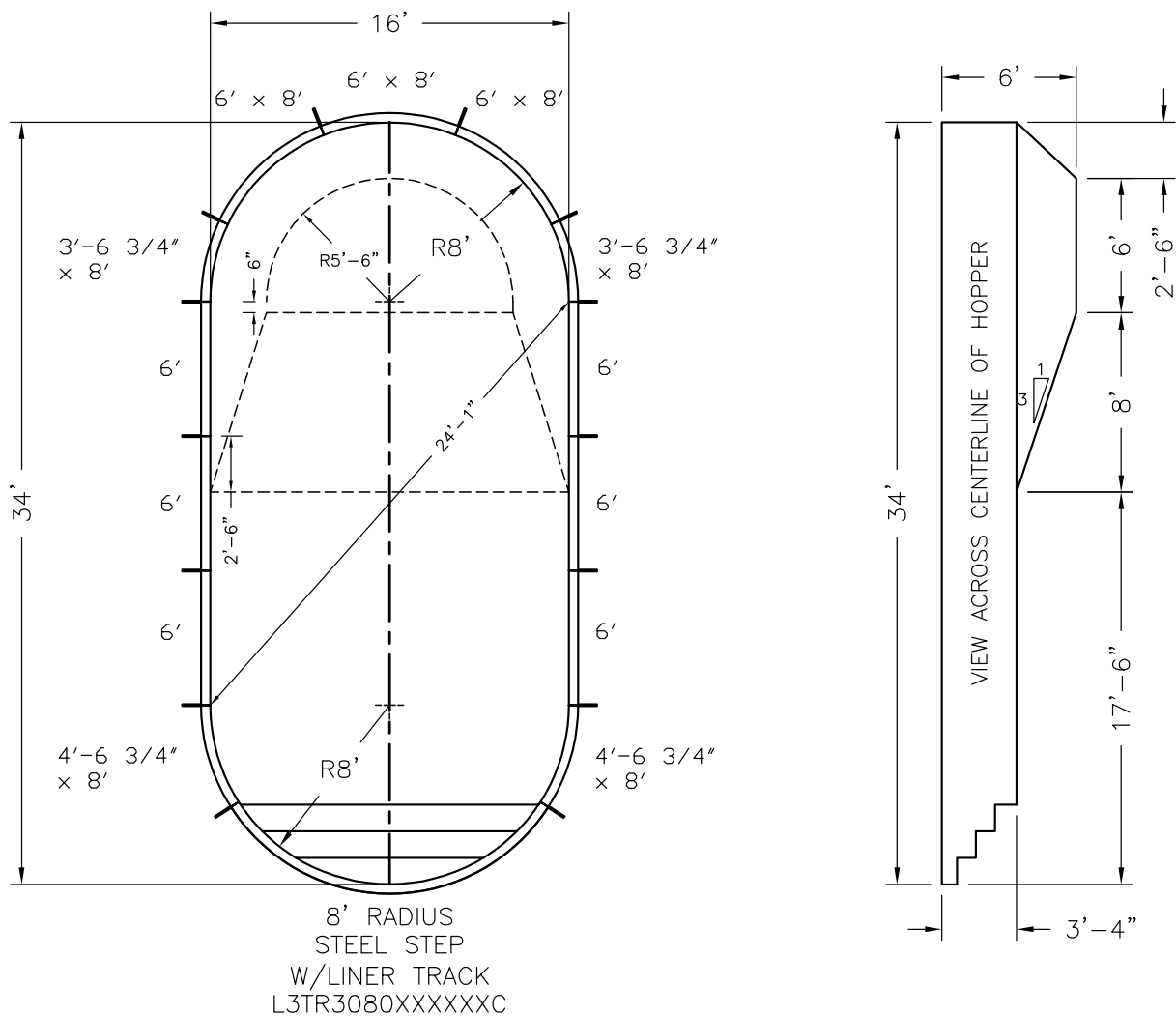
**Approx Gal:** 15,591

**Pool Number:** 16340VAL (STEEL)

250 Route 61 South, Schuylkill Haven, PA 17972 • 570-385-4733 • fax: 570-385-1318 • CustomerService@CardinalSystemsinc.com

Bill of Materials

PART NO.	QUANTITY	DESCRIPTION
"A" FRAME	14	"A" FRAME ASSEMBLY
L3TR3080XXXXXC	1	8' RADIUS STEEL STEP W/LINER TRACK
5C42366XX08000	2	3'-6 3/4" x 8' Radius C PANEL W/0 Z
5C42466XX08000	2	4'-6 3/4" x 8' Radius C PANEL W/0 Z
5C42600XX08000	3	6' x 8' Radius C PANEL W/0 Z
5S42600XXX1	6	6' Straight PANEL W/1 Z



NOTE: THIS IS A NON DIVING POOL.

**Date:** 5/10/2022

**Perimeter:** 86'-3 1/8"

**Drawn By:** AUSTIN K

**Area:** 489.1 SQ. FT.

**Scale:** 1/8" = 1'-0"

**Notes:** - - - -



cardinalpools.com

This information is the confidential property of Cardinal Systems, Inc. Disclosure or duplication without proper written approval is strictly prohibited. Acceptance and use of this drawing constitutes knowledge and acceptance by the user of the terms and conditions set forth in the notice and warning which accompanied this drawing is incorporated herein and made part hereof and is found on Cardinal Systems, Inc's website at www.CardinalSystemsInc.com



**Pool Size:** 16' X 36'

**Pool Shape:** OVAL

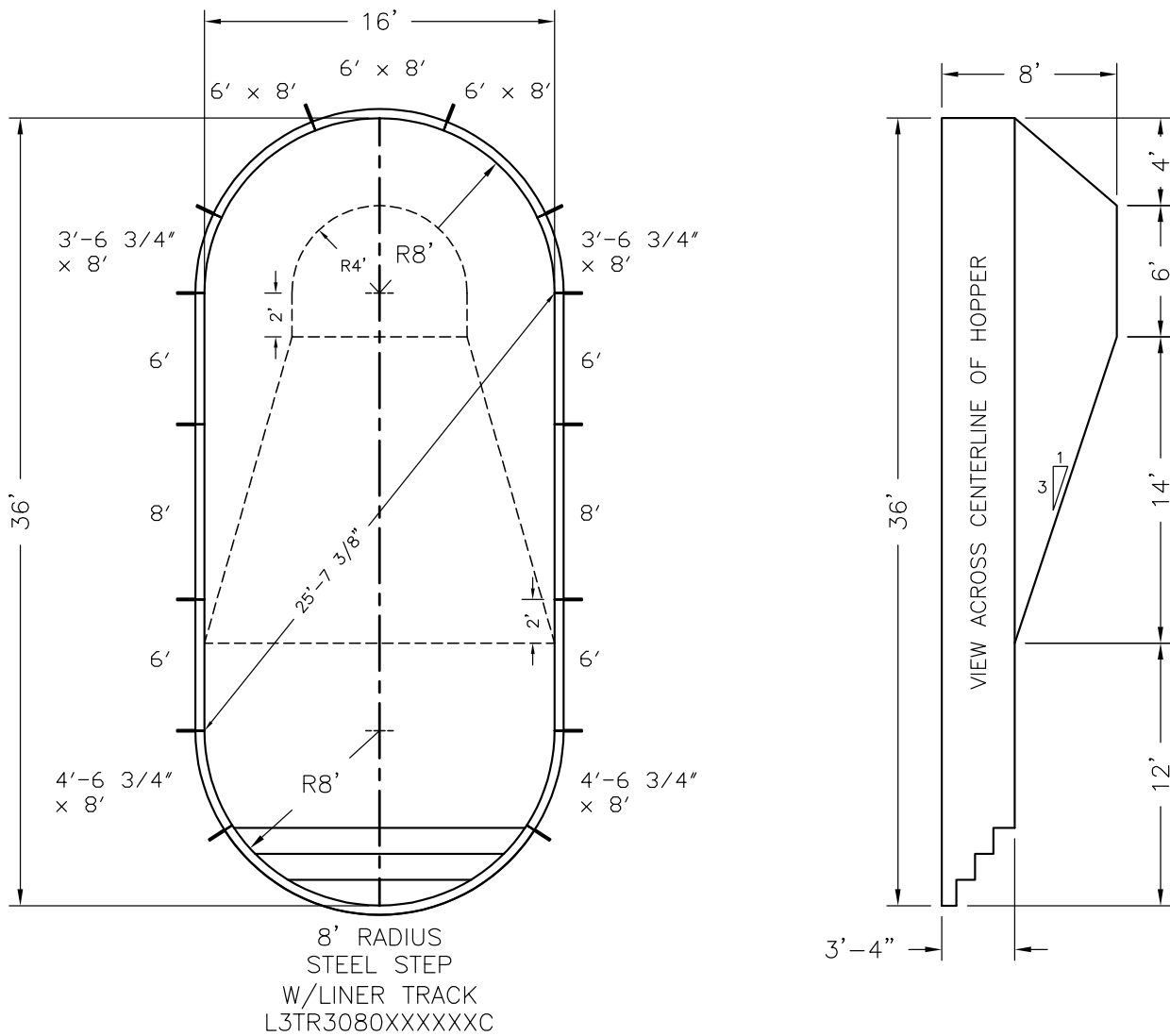
**Approx Gal:** 18,956

**Pool Number:** 16360VAL (STEEL)

250 Route 61 South, Schuylkill Haven, PA 17972 • 570-385-4733 • fax: 570-385-1318 • CustomerService@CardinalSystemsinc.com

Bill of Materials

PART NO.	QUANTITY	DESCRIPTION
"A" FRAME	14	"A" FRAME ASSEMBLY
L3TR3080XXXXXC	1	8' RADIUS STEEL STEP W/LINER TRACK
5C42366XX08000	2	3'-6 3/4" x 8' Radius C PANEL W/0 Z
5C42466XX08000	2	4'-6 3/4" x 8' Radius C PANEL W/0 Z
5C42600XX08000	3	6' x 8' Radius C PANEL W/0 Z
5S42600XXX1	4	6' Straight PANEL W/1 Z
5S42800XXX2	2	8' Straight PANEL W/2 Z



8' RADIUS  
STEEL STEP  
W/LINER TRACK  
L3TR3080XXXXXC

**Date:** 5/10/2022

**Perimeter:** 90'-3 1/8"

**Drawn By:** AUSTIN K

**Area:** 521.1 SQ. FT.

**Scale:** 1/8" = 1'-0"

**Notes:** -----



cardinalpools.com

This information is the confidential property of Cardinal Systems, Inc. Disclosure or duplication without proper written approval is strictly prohibited. Acceptance and use of this drawing constitutes knowledge and acceptance by the user of the terms and conditions set forth in the notice and warning which accompanied this drawing is incorporated herein and made part hereof and is found on Cardinal Systems, Inc's website at www.CardinalSystemsInc.com



**Pool Size:** 18' X 36'

**Pool Shape:** OVAL

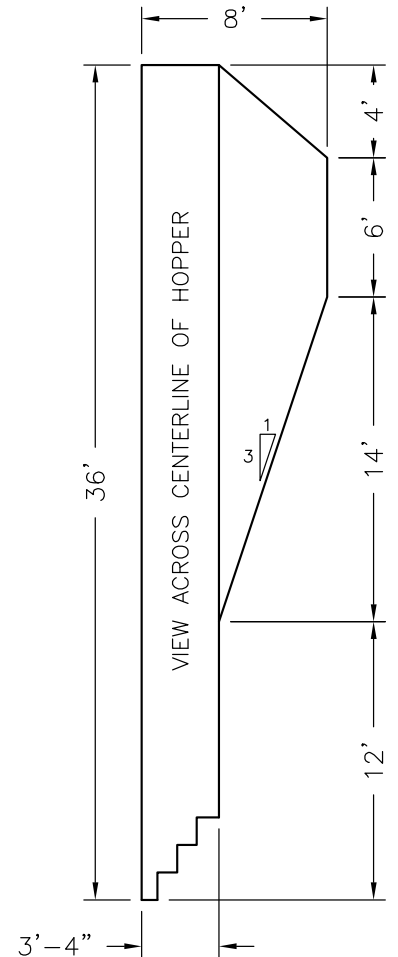
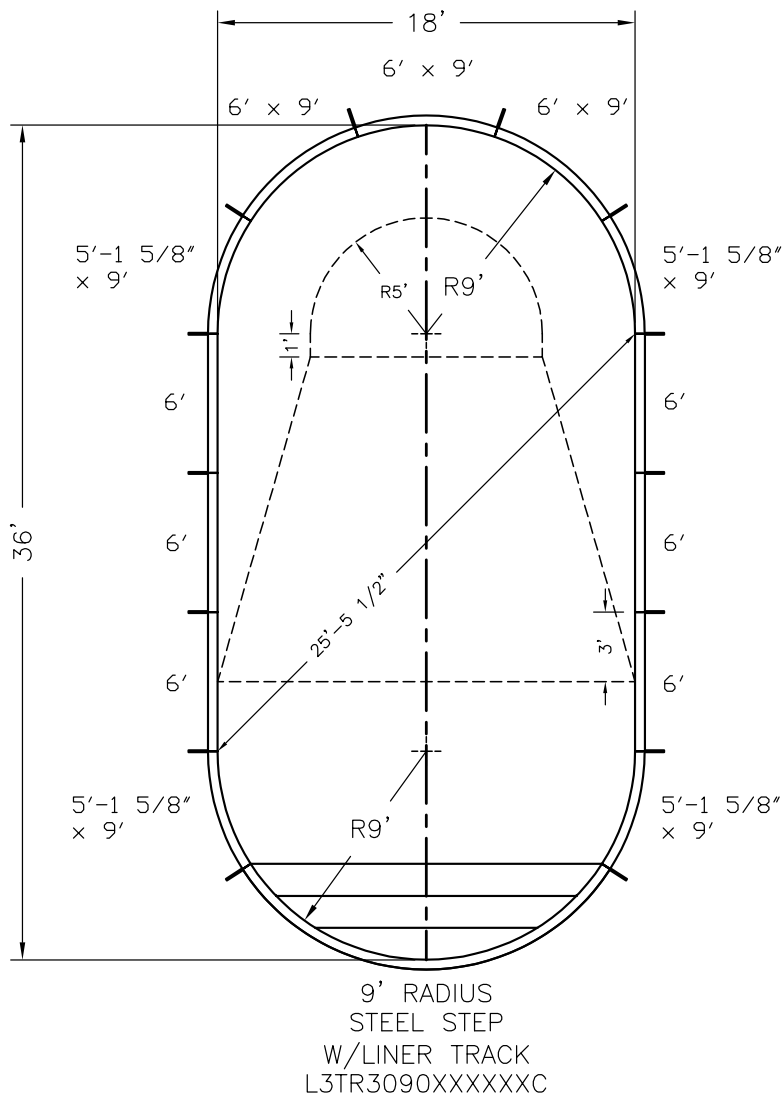
**Pool Number:** 18360VAL (STEEL)

**Approx Gal:** 21,043

250 Route 61 South, Schuylkill Haven, PA 17972 • 570-385-4733 • fax: 570-385-1318 • CustomerService@CardinalSystemsinc.com

Bill of Materials

PART NO.	QUANTITY	DESCRIPTION
"A" FRAME	14	"A" FRAME ASSEMBLY
L3TR3090XXXXXC	1	9' RADIUS STEEL STEP W/LINER TRACK
5C42515XX09000	4	5'-1 5/8" x 9' Radius C PANEL W/0 Z
5C42600XX09000	3	6' x 9' Radius C PANEL W/0 Z
5S42600XXX1	6	6' Straight PANEL W/1 Z



**Date:** 5/10/2022

**Perimeter:** 92'-6 5/8"

**Drawn By:** AUSTIN K

**Area:** 578.5 SQ. FT.

**Scale:** 1/8" = 1'-0"

**Notes:** - - - -



cardinalpools.com

This information is the confidential property of Cardinal Systems, Inc. Disclosure or duplication without proper written approval is strictly prohibited. Acceptance and use of this drawing constitutes knowledge and acceptance by the user of the terms and conditions set forth in the notice and warning which accompanied this drawing is incorporated herein and made part hereof and is found on Cardinal Systems, Inc's website at www.CardinalSystemsInc.com



**Pool Size:** 20' X 40'

**Pool Shape:** OVAL

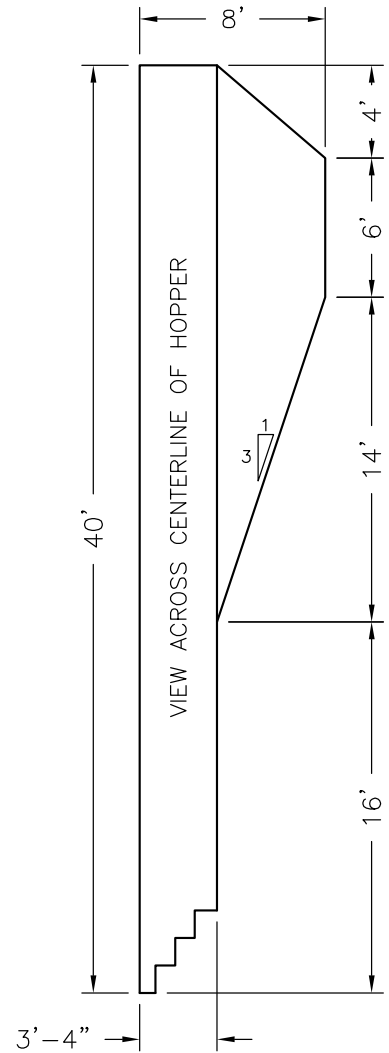
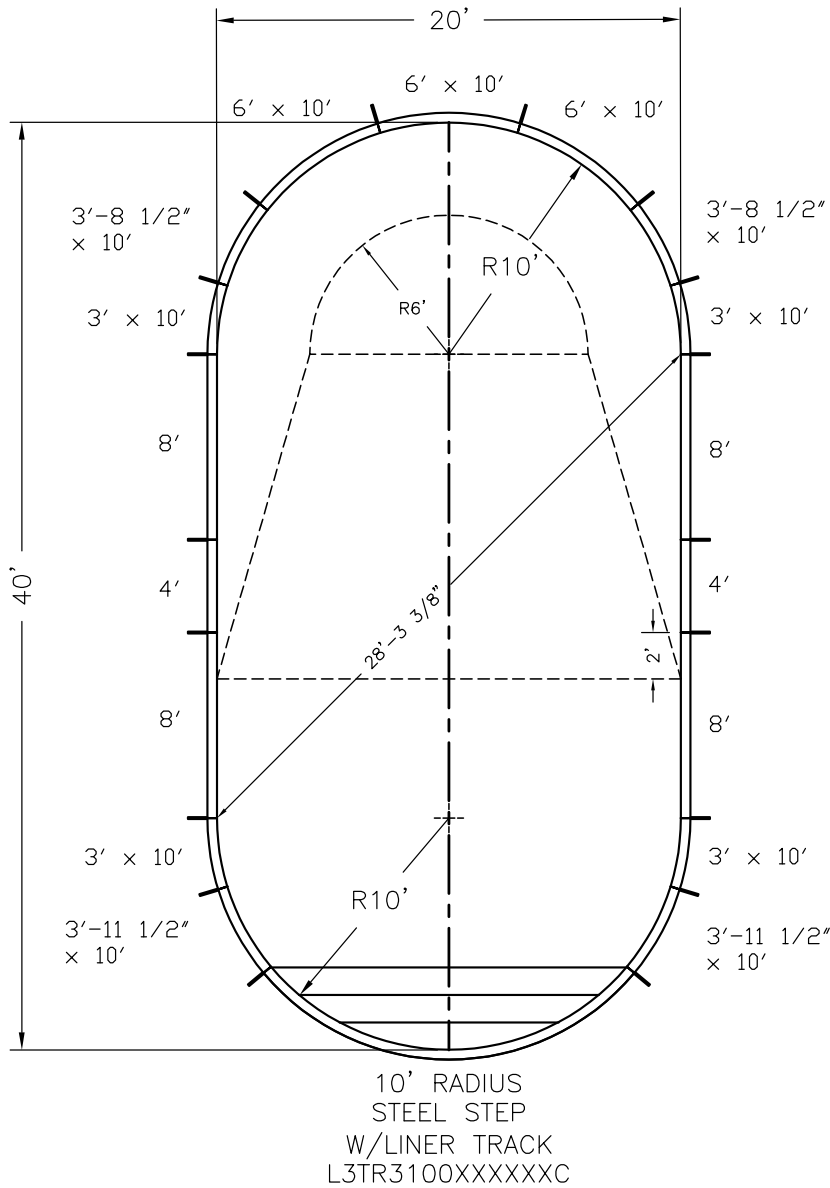
**Approx Gal:** 25,980

**Pool Number:** 2040OVAL (STEEL)

250 Route 61 South, Schuylkill Haven, PA 17972 • 570-385-4733 • fax: 570-385-1318 • CustomerService@CardinalSystemsinc.com

Bill of Materials

PART NO.	QUANTITY	DESCRIPTION
"A" FRAME	18	"A" FRAME ASSEMBLY
L3TR3100XXXXXXC	1	10' RADIUS STEEL STEP W/LINER TRACK
5C42300XX10000	4	3' x 10' Radius C PANEL W/0 Z
5C42384XX10000	2	3'-8 1/2" x 10' Radius C PANEL W/0 Z
5C423E4XX10000	2	3'-11 1/2" x 10' Radius C PANEL W/0 Z
5C42600XX10000	3	6' x 10' Radius C PANEL W/0 Z
5S42400XXX0	2	4' Straight PANEL W/0 Z
5S42800XXX2	4	8' Straight PANEL W/2 Z



**Date:** 5/10/2022

**Perimeter:** 102'-10"

**Drawn By:** AUSTIN K

**Area:** 714.2 SQ. FT.

**Scale:** 1/8" = 1'-0"

**Notes:** -----



cardinalpools.com

This information is the confidential property of Cardinal Systems, Inc. Disclosure or duplication without proper written approval is strictly prohibited. Acceptance and use of this drawing constitutes knowledge and acceptance by the user of the terms and conditions set forth in the notice and warning which accompanied this drawing is incorporated herein and made part hereof and is found on Cardinal Systems, Inc's website at www.CardinalSystemsInc.com



**Pool Size:** 14' X 28'

**Pool Shape:** OVAL

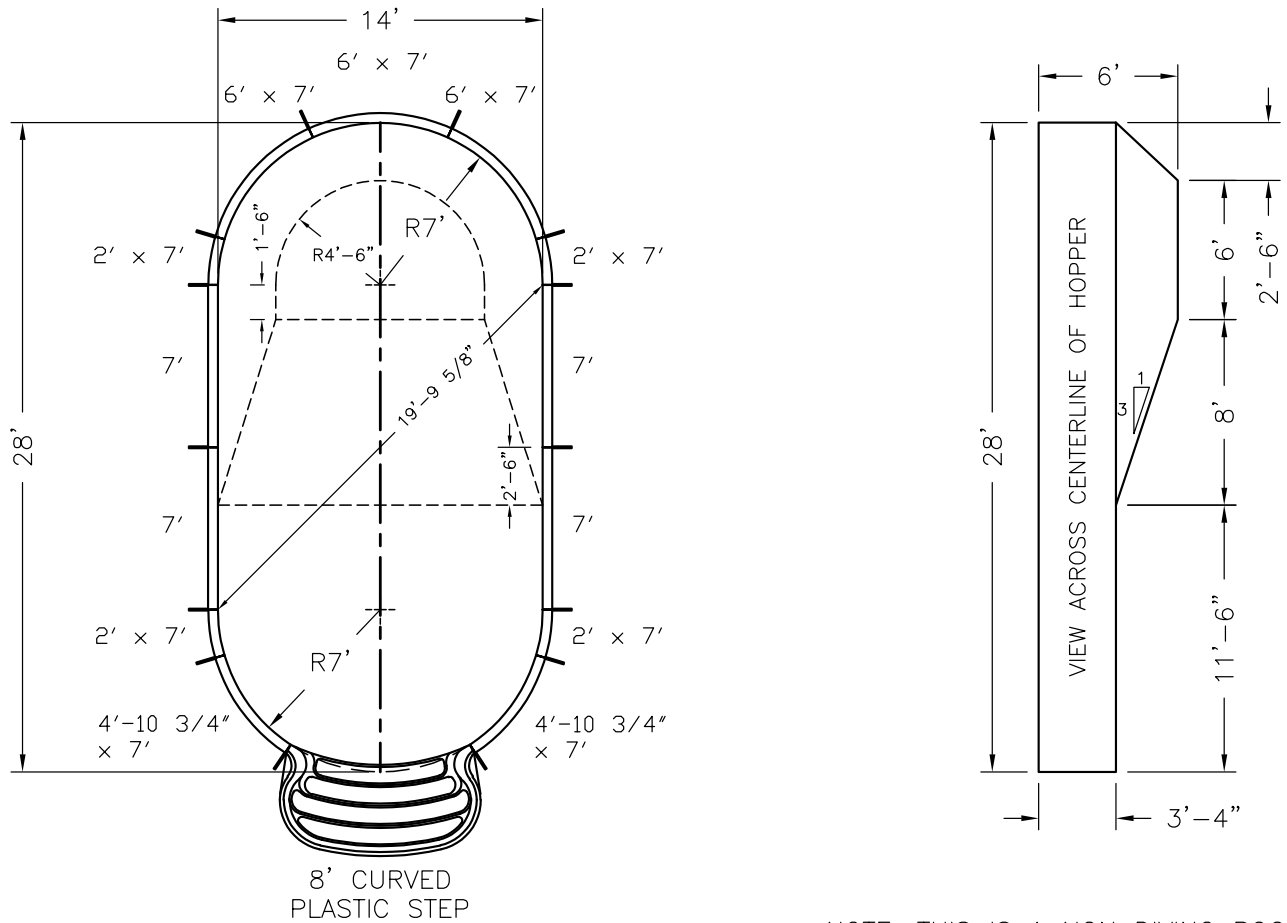
**Approx Gal:** 11,106

**Pool Number:** 1428OVAL (PLASTIC)

250 Route 61 South, Schuylkill Haven, PA 17972 • 570-385-4733 • fax: 570-385-1318 • CustomerService@CardinalSystemsinc.com

Bill of Materials

PART NO.	QUANTITY	DESCRIPTION
"A" FRAME	14	"A" FRAME ASSEMBLY
5C42200XX07000	4	2' x 7' Radius C PANEL W/O Z
5C424T6XX07000	2	4'-10 3/4" x 7' Radius C PANEL W/O Z
5C42600XX07000	3	6' x 7' Radius C PANEL W/O Z
5S42700XXX2	4	7' Straight PANEL W/2 Z



NOTE: THIS IS A NON DIVING POOL.

<b>Date:</b> 5/10/2022	<b>Perimeter:</b> 71'-9 3/8"	
<b>Drawn By:</b> AUSTIN K	<b>Area:</b> 348.4 SQ. FT.	
<b>Scale:</b> 1/8" = 1'-0"	<b>Notes:</b> - - - -	

This information is the confidential property of Cardinal Systems, Inc. Disclosure or duplication without proper written approval is strictly prohibited. Acceptance and use of this drawing constitutes knowledge and acceptance by the user of the terms and conditions set forth in the notice and warning which accompanied this drawing is incorporated herein and made part hereof and is found on Cardinal Systems, Inc's website at www.CardinalSystemsInc.com



**Pool Size:** 16' X 32'

**Pool Shape:** OVAL

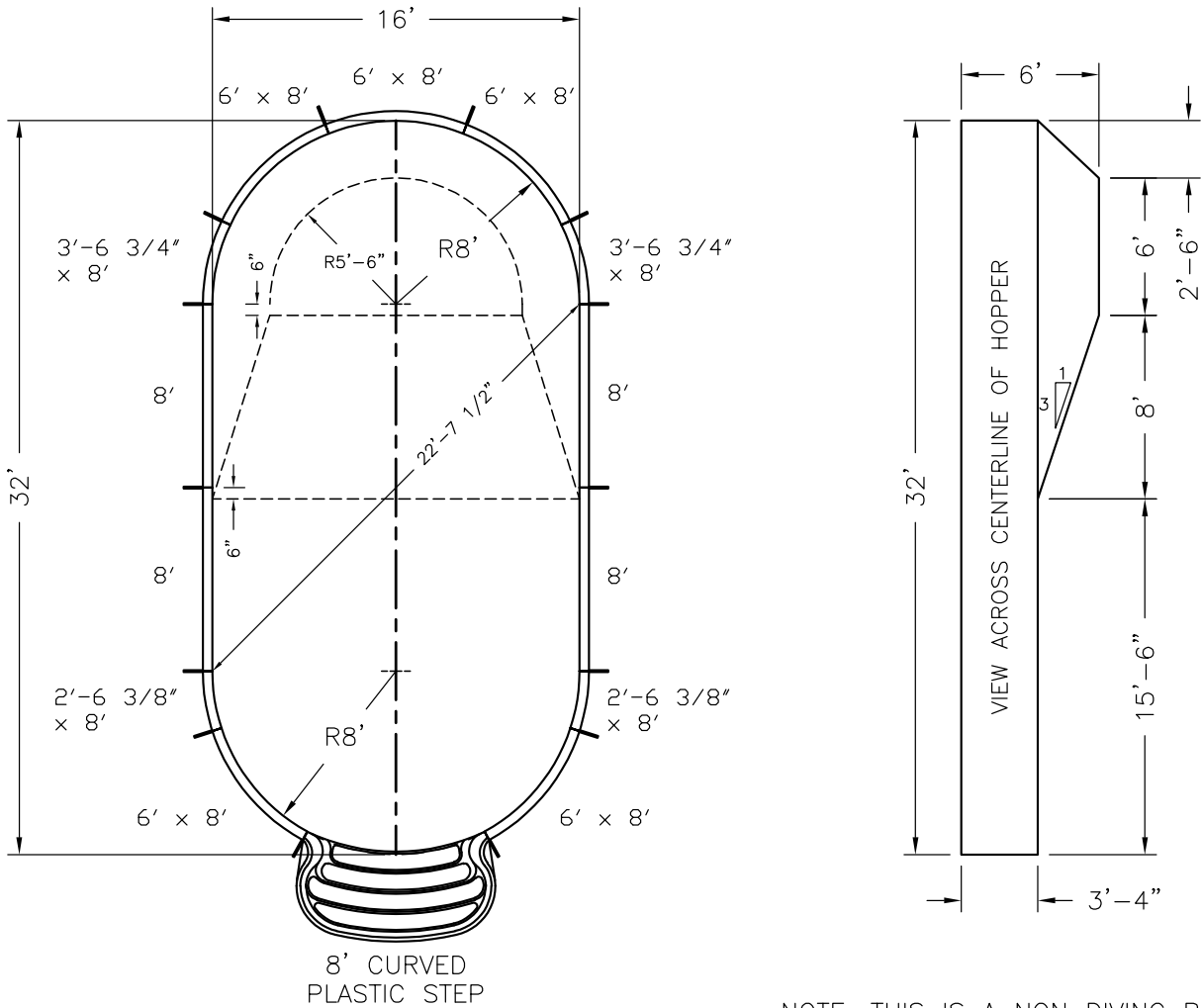
**Approx Gal:** 14,548

**Pool Number:** 16320VAL (PLASTIC)

250 Route 61 South, Schuylkill Haven, PA 17972 • 570-385-4733 • fax: 570-385-1318 • CustomerService@CardinalSystemsinc.com

Bill of Materials

PART NO.	QUANTITY	DESCRIPTION
"A" FRAME	14	"A" FRAME ASSEMBLY
5C42263XX08000	2	2'-6 3/8" x 8' Radius C PANEL W/0 Z
5C42366XX08000	2	3'-6 3/4" x 8' Radius C PANEL W/0 Z
5C42600XX08000	5	6' x 8' Radius C PANEL W/0 Z
5S42800XXX2	4	8' Straight PANEL W/2 Z



NOTE: THIS IS A NON DIVING POOL.

**Date:** 5/10/2022

**Perimeter:** 82'-2 1/4"

**Drawn By:** AUSTIN K

**Area:** 456.4 SQ. FT.

**Scale:** 1/8" = 1'-0"

**Notes:** -----



cardinalpools.com

This information is the confidential property of Cardinal Systems, Inc. Disclosure or duplication without proper written approval is strictly prohibited. Acceptance and use of this drawing constitutes knowledge and acceptance by the user of the terms and conditions set forth in the notice and warning which accompanied this drawing is incorporated herein and made part hereof and is found on Cardinal Systems, Inc's website at www.CardinalSystemsInc.com





**Pool Size:** 16' X 34'

**Pool Shape:** OVAL

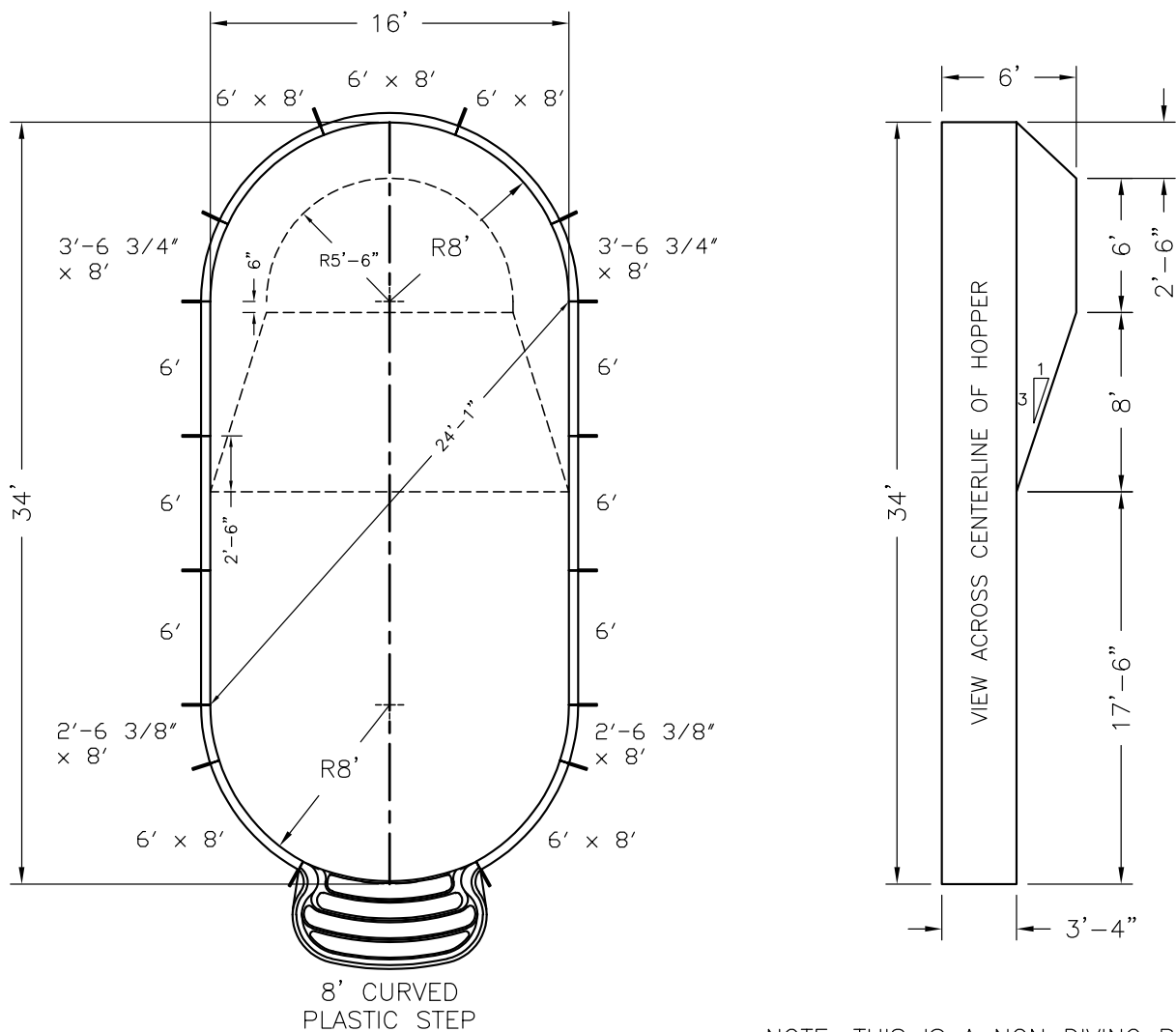
**Approx Gal:** 15,568

**Pool Number:** 1634OVAL (PLASTIC)

250 Route 61 South, Schuylkill Haven, PA 17972 • 570-385-4733 • fax: 570-385-1318 • CustomerService@CardinalSystemsinc.com

Bill of Materials

PART NO.	QUANTITY	DESCRIPTION
"A" FRAME	16	"A" FRAME ASSEMBLY
5C42263XX08000	2	2'-6 3/8" x 8' Radius C PANEL W/0 Z
5C42366XX08000	2	3'-6 3/4" x 8' Radius C PANEL W/0 Z
5C42600XX08000	5	6' x 8' Radius C PANEL W/0 Z
5S42600XXX1	6	6' Straight PANEL W/1 Z



NOTE: THIS IS A NON DIVING POOL.

<b>Date:</b> 5/10/2022	<b>Perimeter:</b> 86'-2 1/4"	
<b>Drawn By:</b> AUSTIN K	<b>Area:</b> 488.4 SQ. FT.	
<b>Scale:</b> 1/8" = 1'-0"	<b>Notes:</b> - - - -	

This Information Is the confidential property of Cardinal Systems, Inc. Disclosure or duplication without proper written approval Is strictly prohibited. Acceptance and use of this drawing constitutes knowledge and acceptance by the user of the terms and conditions set forth in the notice and warning which accompanied this drawing Is Incorporated herein and made part hereof and Is found on Cardinal Systems, Inc's website at www.CardinalSystemsInc.com



**Pool Size:** 16' X 36'

**Pool Shape:** OVAL

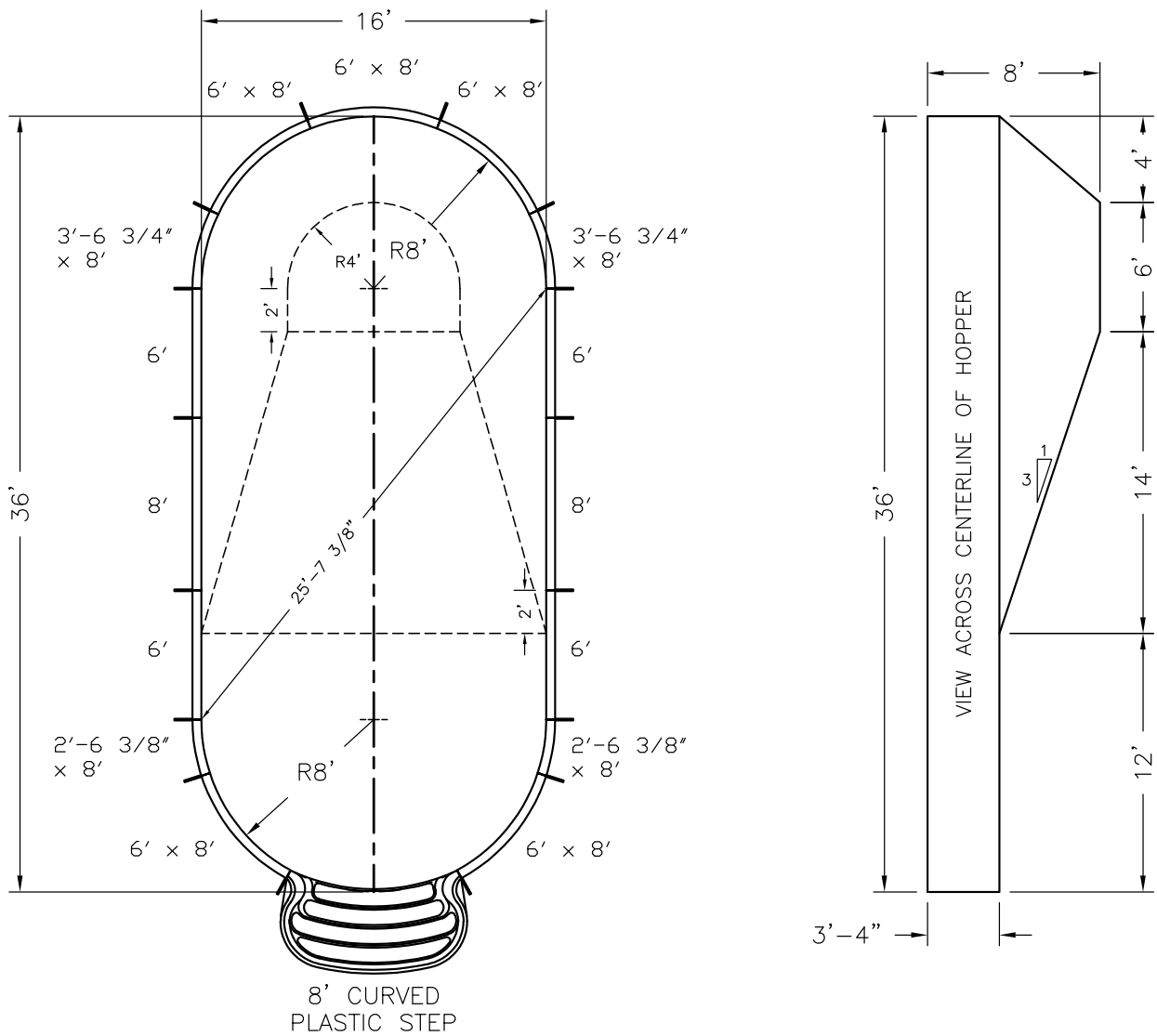
**Approx Gal:** 18,930

**Pool Number:** 16360VAL (PLASTIC)

250 Route 61 South, Schuylkill Haven, PA 17972 • 570-385-4733 • fax: 570-385-1318 • CustomerService@CardinalSystemsinc.com

Bill of Materials

PART NO.	QUANTITY	DESCRIPTION
"A" FRAME	16	"A" FRAME ASSEMBLY
5C42263XX08000	2	2'-6 3/8" x 8' Radius C PANEL W/0 Z
5C42366XX08000	2	3'-6 3/4" x 8' Radius C PANEL W/0 Z
5C42600XX08000	5	6' x 8' Radius C PANEL W/0 Z
5S42600XXX1	4	6' Straight PANEL W/1 Z
5S42800XXX2	2	8' Straight PANEL W/2 Z



**Date:** 5/10/2022

**Perimeter:** 90'-2 1/4"

**Drawn By:** AUSTIN K

**Area:** 520.4 SQ. FT.

**Scale:** 1/8" = 1'-0"

**Notes:** -----



cardinalpools.com

This information is the confidential property of Cardinal Systems, Inc. Disclosure or duplication without proper written approval is strictly prohibited. Acceptance and use of this drawing constitutes knowledge and acceptance by the user of the terms and conditions set forth in the notice and warning which accompanied this drawing is incorporated herein and made part hereof and is found on Cardinal Systems, Inc's website at www.CardinalSystemsInc.com



**Pool Size:** 18' X 36'

**Pool Shape:** OVAL

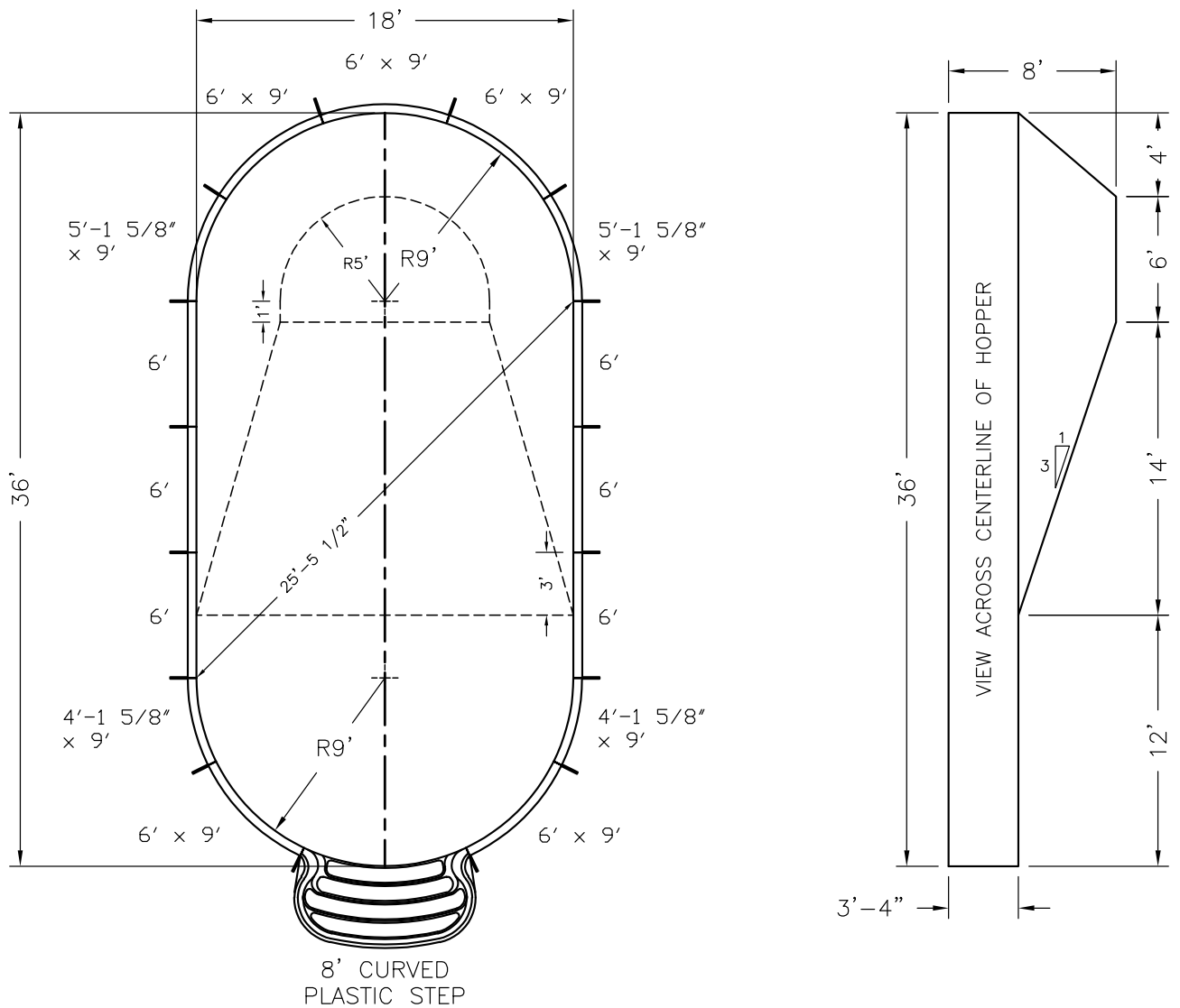
**Approx Gal:** 21,043

**Pool Number:** 18360VAL (PLASTIC)

250 Route 61 South, Schuylkill Haven, PA 17972 • 570-385-4733 • fax: 570-385-1318 • CustomerService@CardinalSystemsinc.com

Bill of Materials

PART NO.	QUANTITY	DESCRIPTION
"A" FRAME	16	"A" FRAME ASSEMBLY
5C42415XX09000	2	4'-1 5/8" x 9' Radius C PANEL W/0 Z
5C42515XX09000	2	5'-1 5/8" x 9' Radius C PANEL W/0 Z
5C42600XX09000	5	6' x 9' Radius C PANEL W/0 Z
5S42600XXX1	6	6' Straight PANEL W/1 Z



**Date:** 5/10/2022

**Perimeter:** 92'-6 5/8"

**Drawn By:** AUSTIN K

**Area:** 578.5 SQ. FT.

**Scale:** 1/8" = 1'-0"

**Notes:** - - - -



cardinalpools.com

This information is the confidential property of Cardinal Systems, Inc. Disclosure or duplication without proper written approval is strictly prohibited. Acceptance and use of this drawing constitutes knowledge and acceptance by the user of the terms and conditions set forth in the notice and warning which accompanied this drawing is incorporated herein and made part hereof and is found on Cardinal Systems, Inc's website at www.CardinalSystemsInc.com



**Pool Size:** 20' X 40'

**Pool Shape:** OVAL

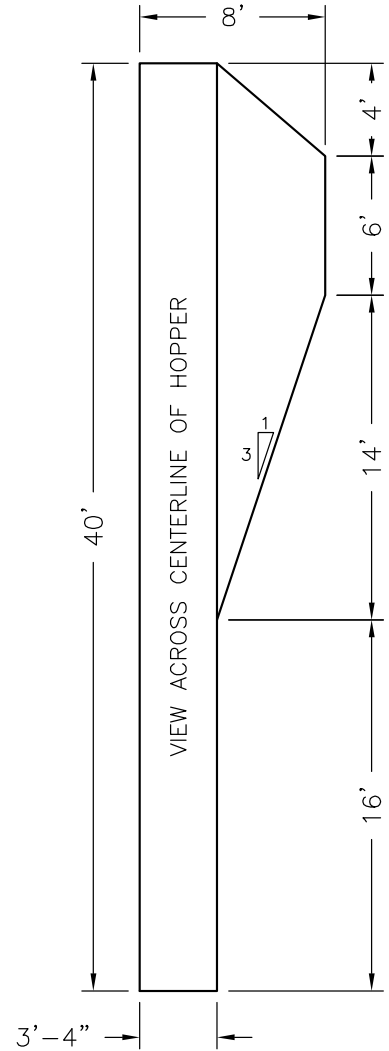
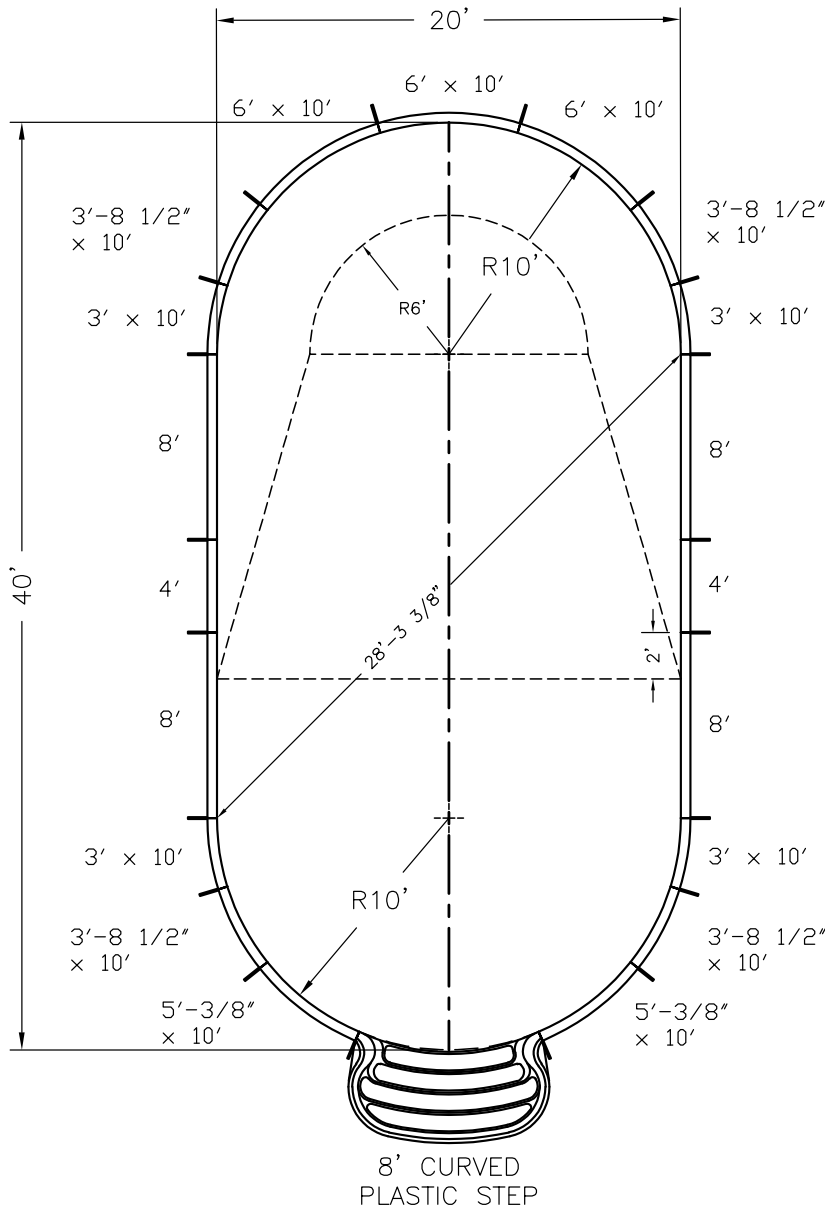
**Approx Gal:** 25,980

**Pool Number:** 20400VAL (PLASTIC)

250 Route 61 South, Schuylkill Haven, PA 17972 • 570-385-4733 • fax: 570-385-1318 • CustomerService@CardinalSystemsinc.com

Bill of Materials

PART NO.	QUANTITY	DESCRIPTION
"A" FRAME	20	"A" FRAME ASSEMBLY
5C42300XX10000	4	3' x 10' Radius C PANEL W/0 Z
5C42384XX10000	4	3'-8 1/2" x 10' Radius C PANEL W/0 Z
5C42503XX10000	2	5'-3/8" x 10' Radius C PANEL W/0 Z
5C42600XX10000	3	6' x 10' Radius C PANEL W/0 Z
5S42400XXX0	2	4' Straight PANEL W/0 Z
5S42800XXX2	4	8' Straight PANEL W/2 Z



**Date:** 5/10/2022

**Perimeter:** 102'-10"

**Drawn By:** AUSTIN K

**Area:** 714.2 SQ. FT.

**Scale:** 1/8" = 1'-0"

**Notes:** -----



cardinalpools.com

This information is the confidential property of Cardinal Systems, Inc. Disclosure or duplication without proper written approval is strictly prohibited. Acceptance and use of this drawing constitutes knowledge and acceptance by the user of the terms and conditions set forth in the notice and warning which accompanied this drawing is incorporated herein and made part hereof and is found on Cardinal Systems, Inc's website at www.CardinalSystemsInc.com

# KIDNEY



**Pool Size:** 14' X 28'

**Pool Shape:** KIDNEY

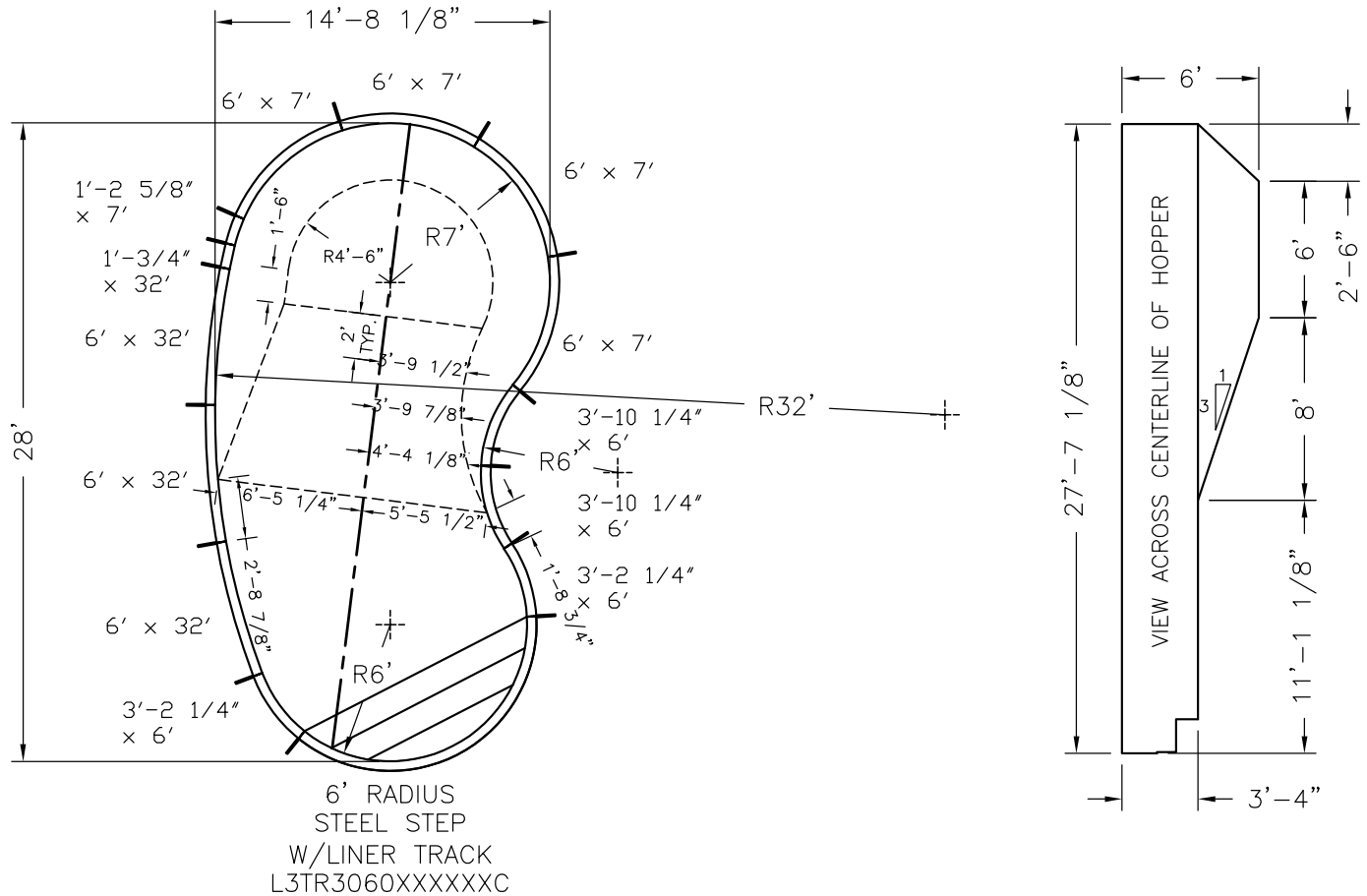
**Approx Gal:** 10,306

**Pool Number:** 1428KID (STEEL)

250 Route 61 South, Schuylkill Haven, PA 17972 • 570-385-4733 • fax: 570-385-1318 • CustomerService@CardinalSystemsinc.com

## Bill of Materials

PART NO.	QUANTITY	DESCRIPTION
"A" FRAME	14	"A" FRAME ASSEMBLY
L3TR3060XXXXXXC	1	6' RADIUS STEEL STEP W/LINER TRACK
5C42106XX32000	1	1'-3/4" x 32' Radius C PANEL W/0 Z
5C42125XX07000	1	1'-2 5/8" x 7' Radius C PANEL W/0 Z
5C42322XX06000	2	3'-2 1/4" x 6' Radius C PANEL W/0 Z
5C42600XX07000	4	6' x 7' Radius C PANEL W/0 Z
5C42600XX32001	3	6' x 32' Radius C PANEL W/1 Z
5R423T2XX06000	2	3'-10 1/4" x 6' Radius R PANEL W/0 Z



NOTE: THIS IS A NON DIVING POOL.

<b>Date:</b> 5/10/2022	<b>Perimeter:</b> 72'-2 1/2"	
<b>Drawn By:</b> JESSE H	<b>Area:</b> 323.3 SQ. FT.	
<b>Scale:</b> 1/8" = 1'-0"	<b>Notes:</b> - - - -	

This information is the confidential property of Cardinal Systems, Inc. Disclosure or duplication without proper written approval is strictly prohibited. Acceptance and use of this drawing constitutes knowledge and acceptance by the user of the terms and conditions set forth in the notice and warning which accompanied this drawing is incorporated herein and made part hereof and is found on Cardinal Systems, Inc's website at www.CardinalSystemsinc.com



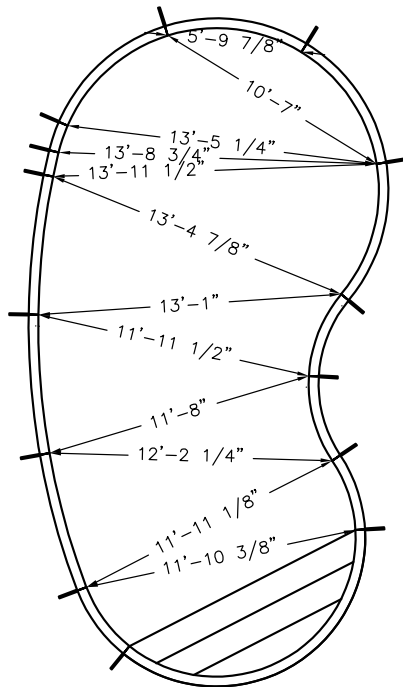
**Pool Size:** 14' X 28'


**Pool Shape:** KIDNEY

**Approx Gal:** 10,306

**Pool Number:** 1428KID (STEEL)

250 Route 61 South, Schuylkill Haven, PA 17972 • 570-385-4733 • fax: 570-385-1318 • CustomerService@CardinalSystemsinc.com



<b>Date:</b> 5/10/2022	<b>Perimeter:</b> 72'-2 1/2"	 cardinalpools.com
<b>Drawn By:</b> JESSE H	<b>Area:</b> 323.3 SQ. FT.	
<b>Scale:</b> 1/8" = 1'-0"	<b>Notes:</b> -----	

This information is the confidential property of Cardinal Systems, Inc. Disclosure or duplication without proper written approval is strictly prohibited. Acceptance and use of this drawing constitutes knowledge and acceptance by the user of the terms and conditions set forth in the notice and warning which accompanied this drawing is incorporated herein and made part hereof and is found on Cardinal Systems, Inc's website at www.CardinalSystemsInc.com



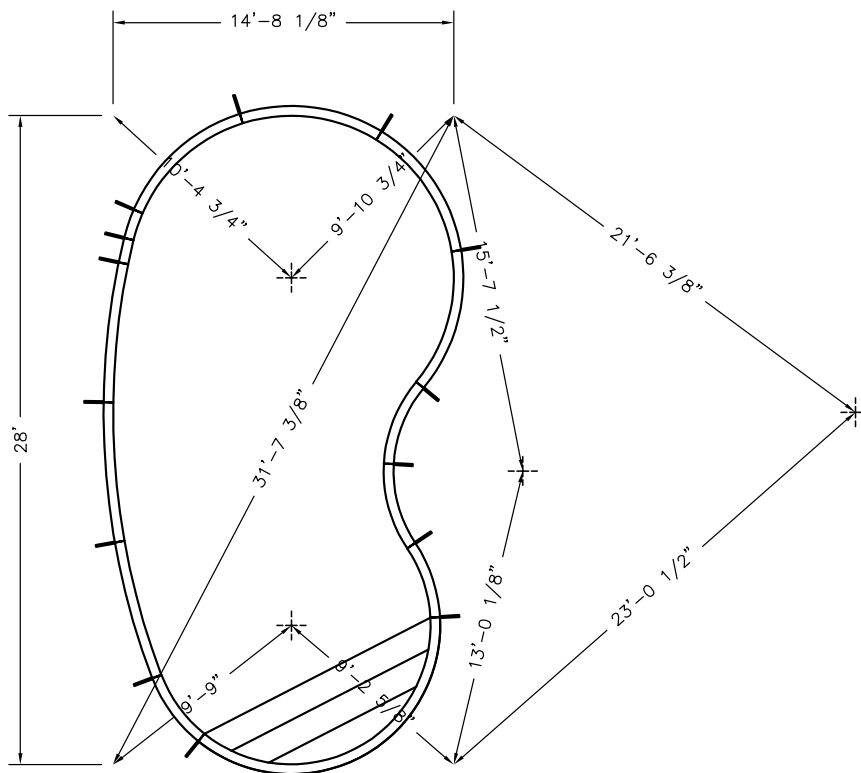
**Pool Size:** 14' X 28'

**Pool Shape:** KIDNEY

**Approx Gal:** 10,306

**Pool Number:** 1428KID (STEEL)

250 Route 61 South, Schuylkill Haven, PA 17972 • 570-385-4733 • fax: 570-385-1318 • CustomerService@CardinalSystemsinc.com



**Date:** 5/10/2022

**Perimeter:** 72'-2 1/2"

**Drawn By:** JESSE H

**Area:** 323.3 SQ. FT.

**Scale:** 1/8" = 1'-0"

**Notes:** - - - -



cardinalpools.com

This information is the confidential property of Cardinal Systems, Inc. Disclosure or duplication without proper written approval is strictly prohibited. Acceptance and use of this drawing constitutes knowledge and acceptance by the user of the terms and conditions set forth in the notice and warning which accompanied this drawing is incorporated herein and made part hereof and is found on Cardinal Systems, Inc's website at www.CardinalSystemsInc.com



**Pool Size:** 14' X 28'

**Pool Shape:** KIDNEY

**Approx Gal:** 10,306

**Pool Number:** 1428KID (STEEL)

250 Route 61 South, Schuylkill Haven, PA 17972 • 570-385-4733 • fax: 570-385-1318 • CustomerService@CardinalSystemsinc.com

HOPPER DIG POINTS		E-H	26'	E-H2	16'-2 1/4"	G-H2	4'-6"
POINTS	DISTANCE	F-G	13'	E-H3	14'-9 3/4"	G-H3	4'-8 7/8"
E-F	12'	F-H	14'-6 3/4"	E-H4	6'-5 3/4"	G-H4	10'-11 1/2"
E-G	15'	G-H	25'	E-H5	9'-10 5/8"	G-H5	11'-5 5/8"
		E-H1	13'-7 1/8"	G-H1	4'-6"		
PANEL TO HOPPER POINTS		1-H4	1'-8 3/4"	2-H5	13'-6 7/8"	4-H1	17'-11 1/8"
POINTS	DISTANCE	1-H5	12'-10 7/8"	3-H1	11'-5 1/8"	4-H2	17'-8 5/8"
1-H1	9'-8 3/8"	2-H1	2'-9 7/8"	3-H2	2'-6 7/8"	4-H3	16'-2 5/8"
1-H2	15'-5 3/8"	2-H2	11'-0 5/8"	3-H3	3'-4 1/8"	4-H4	12'-1 1/4"
1-H3	14'-5 1/8"	2-H3	10'-7 5/8"	3-H4	16'-1 3/8"	4-H5	8'-8 1/2"
		2-H4	5'-8 3/4"	3-H5	10'-3 3/8"		
PANEL TO PANEL POINTS		1-S1	3'-1 7/8"	2-S2	17'-8 5/8"	4-C1	24'-11 1/8"
POINTS	DISTANCE	1-S2	11'-10 3/8"	3-C1	9'-4"	4-C2	4'-6 1/8"
1-C1	19'-0 3/4"	2-C1	12'-3 1/2"	3-C2	22'-5 5/8"	4-I	13'-2 3/4"
1-C2	11'-6 3/4"	2-C2	17'-9 5/8"	3-I	14'-5 5/8"	4-J	22'-1 1/2"
1-I	3'-9 1/2"	2-I	3'-9 1/2"	3-J	13'-8 3/4"	4-K	24'-10 1/2"
1-J	12'-11 1/4"	2-J	5'-9 7/8"	3-K	11'-4 1/8"	4-L	24'-0 3/4"
1-K	17'-8 1/8"	2-K	10'-7"	3-L	6'-10 7/8"	4-M	19'-11 1/8"
1-L	19'-8"	2-L	13'-5 1/4"	3-M	1'-2 5/8"	4-N	17'-9 1/8"
1-M	18'-5"	2-M	13'-10 1/4"	3-N	1'-0 3/4"	4-O	11'-11 1/8"
1-N	17'-2"	2-N	13'-4 7/8"	3-O	7'-0 5/8"	4-P	5'-11 7/8"
1-O	14'-1 3/4"	2-O	13'-1"	3-P	12'-11 3/4"	4-S1	11'-10 3/8"
1-P	12'-2 1/4"	2-P	14'-3 7/8"	3-S1	20'-8 1/2"	4-S2	3'-1 7/8"
		2-S1	10'-2 1/4"	3-S2	21'-6 1/4"		
BOX POINTS		A-H5	15'-7 5/8"	B-S1	21'-8 1/8"	D-C1	29'-2 3/4"
POINTS	DISTANCE	A-S1	25'-7 3/8"	B-S2	28'-9 1/8"	D-C2	5'-2"
A-B	14'-8 1/8"	A-S2	26'-11 1/2"	C-C1	28'-7 3/8"	D-E	9'-9"
A-C	31'-7 3/8"	B-C	28'	C-C2	9'-6 3/4"	D-F	21'-8 3/4"
A-C1	8'-6 1/2"	B-C1	6'-1 5/8"	C-D	14'-8 1/8"	D-G	22'-4 3/8"
A-C2	27'-11"	B-C2	29'-0 5/8"	C-E	9'-2 5/8"	D-H	35'-5 1/8"
A-D	28'	B-D	31'-7 3/8"	C-F	13'-0 1/8"	D-H1	22'-3 5/8"
A-E	23'-3 5/8"	B-E	23'-1"	C-G	22'-1 5/8"	D-H2	21'-9 1/2"
A-F	23'-4 5/8"	B-F	15'-7 1/2"	C-H	23'-0 1/2"	D-H3	20'-3 1/2"
A-G	10'-4 3/4"	B-G	9'-10 3/4"	C-H1	19'-2 5/8"	D-H4	16'-1 7/8"
A-H	34'-5 5/8"	B-H	21'-6 3/8"	C-H2	24'-5"	D-H5	12'-4 3/8"
A-H1	14'-9 1/4"	B-H1	9'-5 7/8"	C-H3	23'-2 1/2"	D-S1	15'-0 7/8"
A-H2	7'-2 3/8"	B-H2	13'-1 7/8"	C-H4	11'-2 7/8"	D-S2	4'-1 5/8"
A-H3	8'-5 7/8"	B-H3	14'-1 1/8"	C-H5	19'-1 1/4"		
A-H4	20'-10 1/4"	B-H4	17'-3 7/8"	C-S1	6'-5"		
		B-H5	21'-4 3/8"	C-S2	10'-10 1/8"		

**Date:** 5/10/2022

**Perimeter:** 72'-2 1/2"

**Drawn By:** JESSE H

**Area:** 323.3 SQ. FT.

**Scale:** 1/8" = 1'-0"

**Notes:** - - - -



cardinalpools.com

This information is the confidential property of Cardinal Systems, Inc. Disclosure or duplication without proper written approval is strictly prohibited. Acceptance and use of this drawing constitutes knowledge and acceptance by the user of the terms and conditions set forth in the notice and warning which accompanied this drawing is incorporated herein and made part hereof and is found on Cardinal Systems, Inc's website at www.CardinalSystemsInc.com





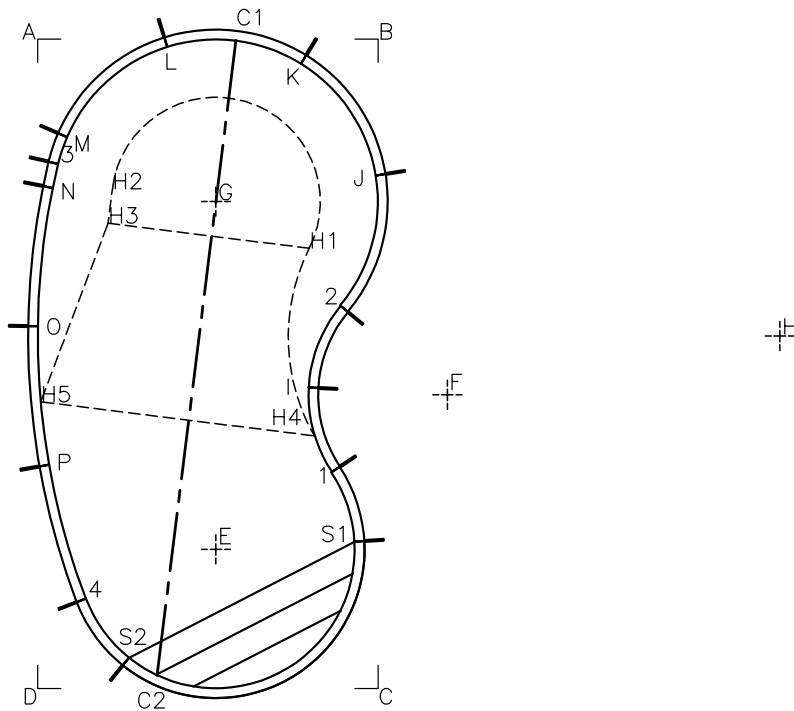
**Pool Size:** 14' X 28'


**Pool Shape:** KIDNEY

**Approx Gal:** 10,306

**Pool Number:** 1428KID (STEEL)

250 Route 61 South, Schuylkill Haven, PA 17972 • 570-385-4733 • fax: 570-385-1318 • CustomerService@CardinalSystemsinc.com



<b>Date:</b> 5/10/2022	<b>Perimeter:</b> 72'-2 1/2"	 cardinalpools.com
<b>Drawn By:</b> JESSE H	<b>Area:</b> 323.3 SQ. FT.	
<b>Scale:</b> 1/8" = 1'-0"	<b>Notes:</b> - - - -	

This information is the confidential property of Cardinal Systems, Inc. Disclosure or duplication without proper written approval is strictly prohibited. Acceptance and use of this drawing constitutes knowledge and acceptance by the user of the terms and conditions set forth in the notice and warning which accompanied this drawing is incorporated herein and made part hereof and is found on Cardinal Systems, Inc's website at [www.CardinalSystemsInc.com](http://www.CardinalSystemsInc.com)



**Pool Size:** 16' X 32'

**Pool Shape:** KIDNEY

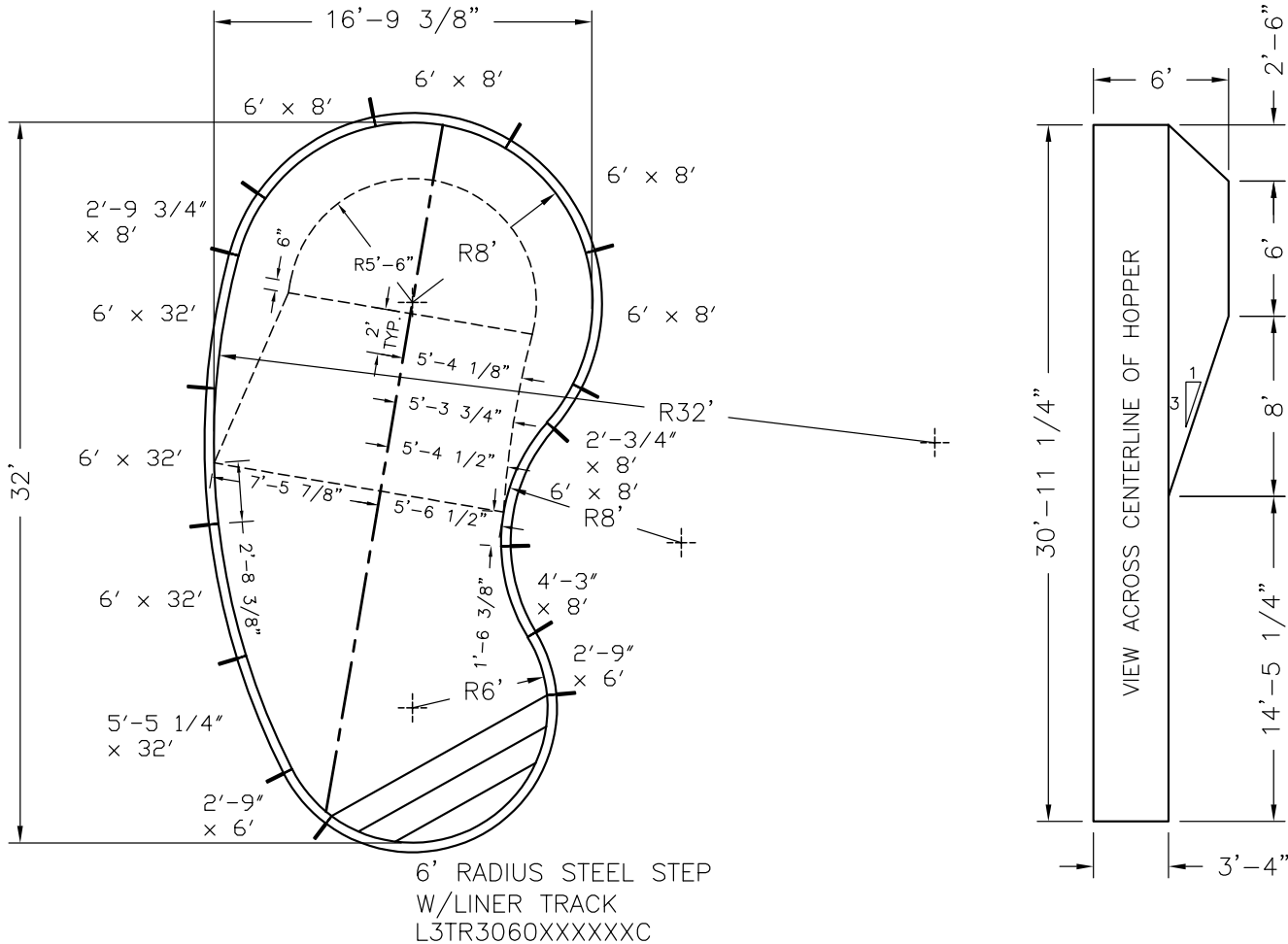
**Approx Gal:** 12,948

**Pool Number:** 1632KID (STEEL)

250 Route 61 South, Schuylkill Haven, PA 17972 • 570-385-4733 • fax: 570-385-1318 • CustomerService@CardinalSystemsinc.com

Bill of Materials

PART NO.	QUANTITY	DESCRIPTION
"A" FRAME	15	"A" FRAME ASSEMBLY
L3TR3060XXXXXC	1	6' RADIUS STEEL STEP W/LINER TRACK
5C42206XX08000	1	2'-3/4" x 8' Radius C PANEL W/0 Z
5C42290XX06000	2	2'-9" x 6' Radius C PANEL W/0 Z
5C42296XX08000	1	2'-9 3/4" x 8' Radius C PANEL W/0 Z
5C42552XX32000	1	5'-5 1/4" x 32' Radius C PANEL W/0 Z
5C42600XX08000	4	6' x 8' Radius C PANEL W/0 Z
5C42600XX32001	3	6' x 32' Radius C PANEL W/1 Z
5R42430XX08000	1	4'-3" x 8' Radius R PANEL W/0 Z
5R42600XX08000	1	6' x 8' Radius R PANEL W/0 Z



NOTE: THIS IS A NON DIVING POOL.

<b>Date:</b> 5/10/2022	<b>Perimeter:</b> 81'-10 3/4"	
<b>Drawn By:</b> JESSE H	<b>Area:</b> 406.2 SQ. FT.	
<b>Scale:</b> 1/8" = 1'-0"	<b>Notes:</b> -----	

This information is the confidential property of Cardinal Systems, Inc. Disclosure or duplication without proper written approval is strictly prohibited. Acceptance and use of this drawing constitutes knowledge and acceptance by the user of the terms and conditions set forth in the notice and warning which accompanied this drawing is incorporated herein and made part hereof and is found on Cardinal Systems, Inc's website at www.CardinalSystemsInc.com



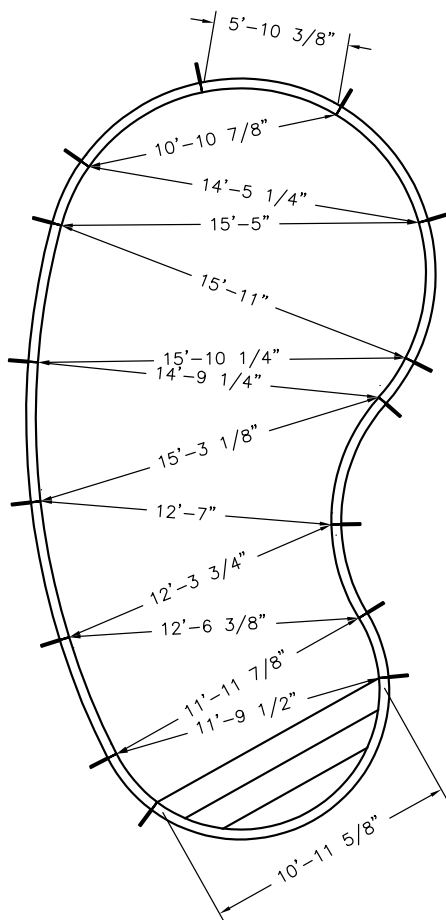
**Pool Size:** 16' X 32'

**Pool Shape:** KIDNEY

**Approx Gal:** 12,948

**Pool Number:** 1632KID (STEEL)

250 Route 61 South, Schuylkill Haven, PA 17972 • 570-385-4733 • fax: 570-385-1318 • CustomerService@CardinalSystemsInc.com



**Date:** 5/10/2022

**Perimeter:** 81'-10 3/4"

**Drawn By:** JESSE H

**Area:** 406.2 SQ. FT.

**Scale:** 1/8" = 1'-0"

**Notes:** - - - -



This information is the confidential property of Cardinal Systems, Inc. Disclosure or duplication without proper written approval is strictly prohibited. Acceptance and use of this drawing constitutes knowledge and acceptance by the user of the terms and conditions set forth in the notice and warning which accompanied this drawing is incorporated herein and made part hereof and is found on Cardinal Systems, Inc's website at www.CardinalSystemsInc.com



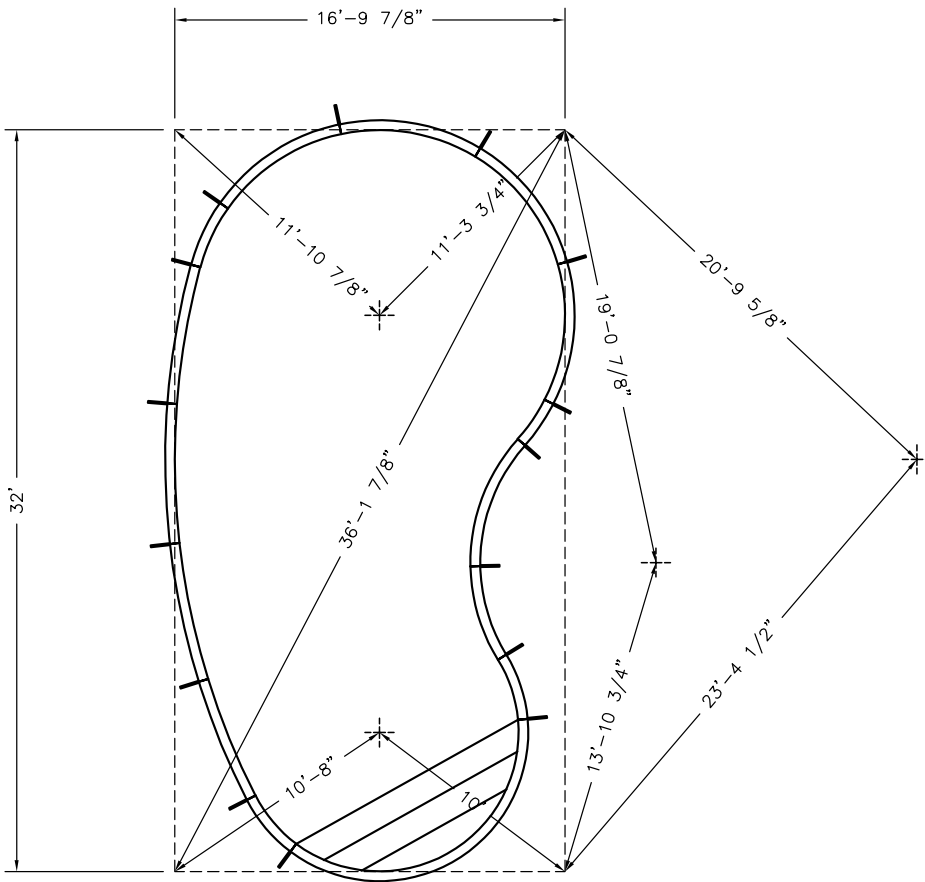
**Pool Size:** 16' X 32'

**Pool Shape:** KIDNEY

**Approx Gal:** 12,948

**Pool Number:** 1632KID (STEEL)

250 Route 61 South, Schuylkill Haven, PA 17972 • 570-385-4733 • fax: 570-385-1318 • CustomerService@CardinalSystemsinc.com



**Date:** 5/10/2022

**Perimeter:** 81'-10 3/4"

**Drawn By:** JESSE H

**Area:** 406.2 SQ. FT.

**Scale:** 1/8" = 1'-0"

**Notes:** -----



cardinalpools.com

This information is the confidential property of Cardinal Systems, Inc. Disclosure or duplication without proper written approval is strictly prohibited. Acceptance and use of this drawing constitutes knowledge and acceptance by the user of the terms and conditions set forth in the notice and warning which accompanied this drawing is incorporated herein and made part hereof and is found on Cardinal Systems, Inc's website at www.CardinalSystemsInc.com



**Pool Size:** 16' X 32'

**Pool Shape:** KIDNEY

**Approx Gal:** 12,948

**Pool Number:** 1632KID (STEEL)

250 Route 61 South, Schuylkill Haven, PA 17972 • 570-385-4733 • fax: 570-385-1318 • CustomerService@CardinalSystemsinc.com

HOPPER DIG POINTS		E-H	26'	E-H2	19'-8 1/8"	G-H2	5'-6"
POINTS	DISTANCE	F-G	16'	E-H3	19'-2 3/4"	G-H3	5'-6 1/4"
		F-H	12'-1 1/4"	E-H4	13'-11 7/8"	G-H4	11'-4"
E-F	14'	G-H	24'	E-H5	9'-7"	G-H5	10'-1 3/4"
E-G	18'	E-H1	17'-5 1/8"	G-H1	5'-6"		
PANEL TO HOPPER POINTS		1-H4	15'-11"	2-H5	4'-5"	4-H1	22'-0 3/4"
POINTS	DISTANCE	1-H5	5'-7 7/8"	3-H1	13'-6"	4-H2	21'-7 5/8"
		2-H1 <td>3'-11 3/4"</td> <td>3-H2 <td>2'-6 7/8"</td> <td>4-H3 <td>21'-1 3/4"</td> </td></td>	3'-11 3/4"	3-H2 <td>2'-6 7/8"</td> <td>4-H3 <td>21'-1 3/4"</td> </td>	2'-6 7/8"	4-H3 <td>21'-1 3/4"</td>	21'-1 3/4"
1-H1	13'-5 3/8"	2-H2	12'-11 7/8"	3-H3	2'-9 1/8"	4-H4	14'-0 1/4"
1-H2	18'-11 5/8"	2-H3	12'-10"	3-H4	9'-3 1/8"	4-H5	14'-9 3/8"
1-H3	18'-7 3/8"	2-H4	14'-10 1/2"	3-H5	16'-4 1/2"		
PANEL TO PANEL POINTS		1-S1	2'-8 3/4"	2-S2	19'-11"	4-C1	29'-4 1/2"
POINTS	DISTANCE	1-S2	11'-9 1/2"	3-C1	10'-9 1/4"	4-C2	2'-5 1/8"
		2-C1 <td>14'-0 1/8"</td> <td>3-C2 <td>24'-11 7/8"</td> <td>4-I <td>13'-6 3/4"</td> </td></td>	14'-0 1/8"	3-C2 <td>24'-11 7/8"</td> <td>4-I <td>13'-6 3/4"</td> </td>	24'-11 7/8"	4-I <td>13'-6 3/4"</td>	13'-6 3/4"
1-C1	23'-0 5/8"	2-C2 <td>19'-10 3/8"</td> <td>3-I <td>17'-4 5/8"</td> <td>4-J <td>21'-1 3/4"</td> </td></td>	19'-10 3/8"	3-I <td>17'-4 5/8"</td> <td>4-J <td>21'-1 3/4"</td> </td>	17'-4 5/8"	4-J <td>21'-1 3/4"</td>	21'-1 3/4"
1-C2	11'-10 1/8"	2-I <td>5'-10 3/8"</td> <td>3-J <td>15'-11"</td> <td>4-K <td>26'-4 3/8"</td> </td></td>	5'-10 3/8"	3-J <td>15'-11"</td> <td>4-K <td>26'-4 3/8"</td> </td>	15'-11"	4-K <td>26'-4 3/8"</td>	26'-4 3/8"
1-I	4'-2 3/8"	2-J <td>2'-0 5/8"</td> <td>3-K <td>15'-5"</td> <td>4-L <td>29'-1 7/8"</td> </td></td>	2'-0 5/8"	3-K <td>15'-5"</td> <td>4-L <td>29'-1 7/8"</td> </td>	15'-5"	4-L <td>29'-1 7/8"</td>	29'-1 7/8"
1-J	11'-4 3/4"	2-K <td>7'-8 5/8"</td> <td>3-L <td>12'-9 3/8"</td> <td>4-M <td>28'-9 1/2"</td> </td></td>	7'-8 5/8"	3-L <td>12'-9 3/8"</td> <td>4-M <td>28'-9 1/2"</td> </td>	12'-9 3/8"	4-M <td>28'-9 1/2"</td>	28'-9 1/2"
1-K	17'-3"	2-L <td>12'-3 7/8"</td> <td>3-M <td>8'-4 1/2"</td> <td>4-N <td>25'-4 1/4"</td> </td></td>	12'-3 7/8"	3-M <td>8'-4 1/2"</td> <td>4-N <td>25'-4 1/4"</td> </td>	8'-4 1/2"	4-N <td>25'-4 1/4"</td>	25'-4 1/4"
1-L	21'-8 3/4"	2-M <td>15'-2 3/8"</td> <td>3-N <td>2'-9 5/8"</td> <td>4-O <td>17'-2 5/8"</td> </td></td>	15'-2 3/8"	3-N <td>2'-9 5/8"</td> <td>4-O <td>17'-2 5/8"</td> </td>	2'-9 5/8"	4-O <td>17'-2 5/8"</td>	17'-2 5/8"
1-M	23'-8"	2-N <td>15'-11 5/8"</td> <td>3-O <td>5'-11 7/8"</td> <td>4-P <td>11'-4 1/2"</td> </td></td>	15'-11 5/8"	3-O <td>5'-11 7/8"</td> <td>4-P <td>11'-4 1/2"</td> </td>	5'-11 7/8"	4-P <td>11'-4 1/2"</td>	11'-4 1/2"
1-N	22'-8 1/4"	2-O <td>14'-9 1/4"</td> <td>3-P <td>11'-11 1/8"</td> <td>4-Q <td>5'-5 1/8"</td> </td></td>	14'-9 1/4"	3-P <td>11'-11 1/8"</td> <td>4-Q <td>5'-5 1/8"</td> </td>	11'-11 1/8"	4-Q <td>5'-5 1/8"</td>	5'-5 1/8"
1-O	17'-8 3/8"	2-P <td>15'-3 1/8"</td> <td>3-Q <td>17'-9 1/8"</td> <td>4-S1 <td>11'-9 1/2"</td> </td></td>	15'-3 1/8"	3-Q <td>17'-9 1/8"</td> <td>4-S1 <td>11'-9 1/2"</td> </td>	17'-9 1/8"	4-S1 <td>11'-9 1/2"</td>	11'-9 1/2"
1-P	14'-7 1/2"	2-Q <td>16'-10 3/4"</td> <td>3-S1 <td>23'-10 1/8"</td> <td>4-S2 <td>2'-8 3/4"</td> </td></td>	16'-10 3/4"	3-S1 <td>23'-10 1/8"</td> <td>4-S2 <td>2'-8 3/4"</td> </td>	23'-10 1/8"	4-S2 <td>2'-8 3/4"</td>	2'-8 3/4"
1-Q	12'-6 3/8"	2-S1 <td>12'-1 3/8"</td> <td>3-S2 <td>25'-2 5/8"</td> <td></td> <td></td> </td>	12'-1 3/8"	3-S2 <td>25'-2 5/8"</td> <td></td> <td></td>	25'-2 5/8"		
BOX POINTS		A-H5	21'-6 3/4"	B-S1	25'-6 3/8"	D-C1	33'-5 5/8"
POINTS	DISTANCE	A-S1	29'-5 1/4"	B-S2	32'-11"	D-C2	5'-2 1/8"
		A-S2	31'-3"	C-C1	32'-6 7/8"	D-E	10'-8"
A-B	16'-9 7/8"	B-C	32'	C-C2	11'-11"	D-F	24'-7 7/8"
A-C	36'-1 7/8"	B-C1	6'-8"	C-D	16'-9 7/8"	D-G	25'-6 7/8"
A-C1	10'-1 7/8"	B-C2	32'-9 7/8"	C-E	10'	D-H	36'-7 1/4"
A-C2	31'-0 1/4"	B-D	36'-1 7/8"	C-F	13'-10 3/4"	D-H1	26'-7 3/4"
A-D	32'	B-E	27'-2 3/8"	C-G	25'-3 5/8"	D-H2	25'-1 3/4"
A-E	27'-5 1/2"	B-F	19'-0 7/8"	C-H	23'-4 1/2"	D-H3	24'-7 3/4"
A-F	27'-10 7/8"	B-G	11'-3 3/4"	C-H1	22'-9"	D-H4	16'-10 1/2"
A-G	11'-10 7/8"	B-H	20'-9 5/8"	C-H2	28'-3 5/8"	D-H5	19'-6 3/8"
A-H	35'-0 1/4"	B-H1	9'-9 3/8"	C-H3	27'-11"	D-S1	16'-2 1/8"
A-H1	16'-11 3/4"	B-H2	15'-2 1/8"	C-H4	23'-9 3/4"	D-S2	5'-4 3/8"
A-H2	7'-10 1/4"	B-H3	15'-5 7/8"	C-H5	15'-2 5/8"		
A-H3	8'-3 1/4"	B-H4	22'-7 3/8"	C-S1	6'-10 1/4"		
A-H4	15'-1 1/2"	B-H5	17'-9"	C-S2	11'-7 7/8"		

**Date:** 5/10/2022

**Perimeter:** 81'-10 3/4"

**Drawn By:** JESSE H

**Area:** 406.2 SQ. FT.

**Scale:** 1/8" = 1'-0"

**Notes:** - - - -



cardinalpools.com

This information is the confidential property of Cardinal Systems, Inc. Disclosure or duplication without proper written approval is strictly prohibited. Acceptance and use of this drawing constitutes knowledge and acceptance by the user of the terms and conditions set forth in the notice and warning which accompanied this drawing is incorporated herein and made part hereof and is found on Cardinal Systems, Inc's website at www.CardinalSystemsInc.com



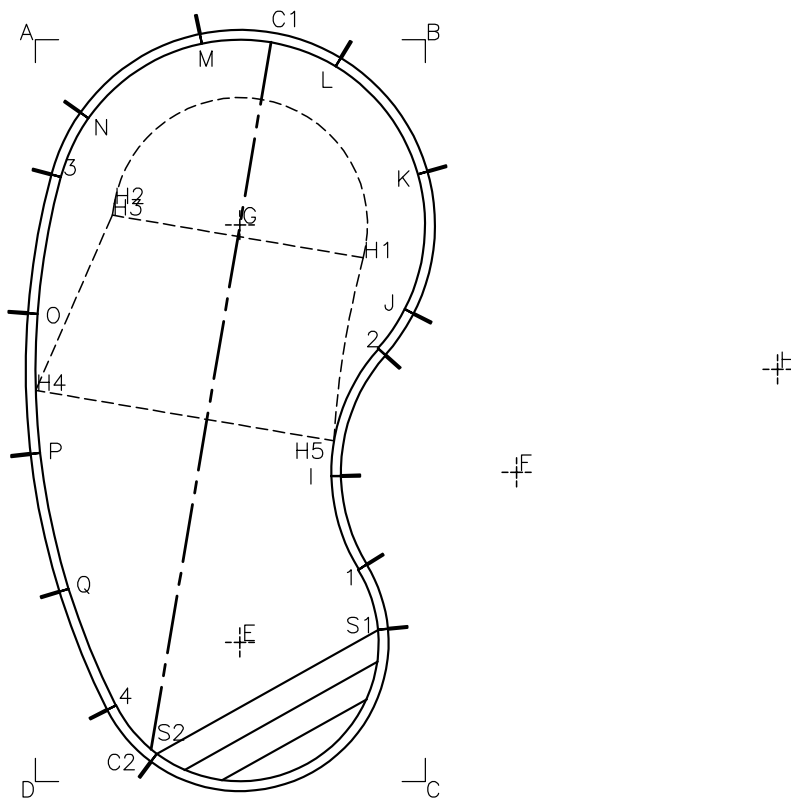
**Pool Size:** 16' X 32'

**Pool Shape:** KIDNEY

**Approx Gal:** 12,948

**Pool Number:** 1632KID (STEEL)

250 Route 61 South, Schuylkill Haven, PA 17972 • 570-385-4733 • fax: 570-385-1318 • CustomerService@CardinalSystemsinc.com



**Date:** 5/10/2022

**Perimeter:** 81'-10 3/4"

**Drawn By:** JESSE H

**Area:** 406.2 SQ. FT.

**Scale:** 1/8" = 1'-0"

**Notes:** -----



cardinalpools.com

This information is the confidential property of Cardinal Systems, Inc. Disclosure or duplication without proper written approval is strictly prohibited. Acceptance and use of this drawing constitutes knowledge and acceptance by the user of the terms and conditions set forth in the notice and warning which accompanied this drawing is incorporated herein and made part hereof and is found on Cardinal Systems, Inc's website at www.CardinalSystemsInc.com



**Pool Size:** 16' X 34'

**Pool Shape:** KIDNEY

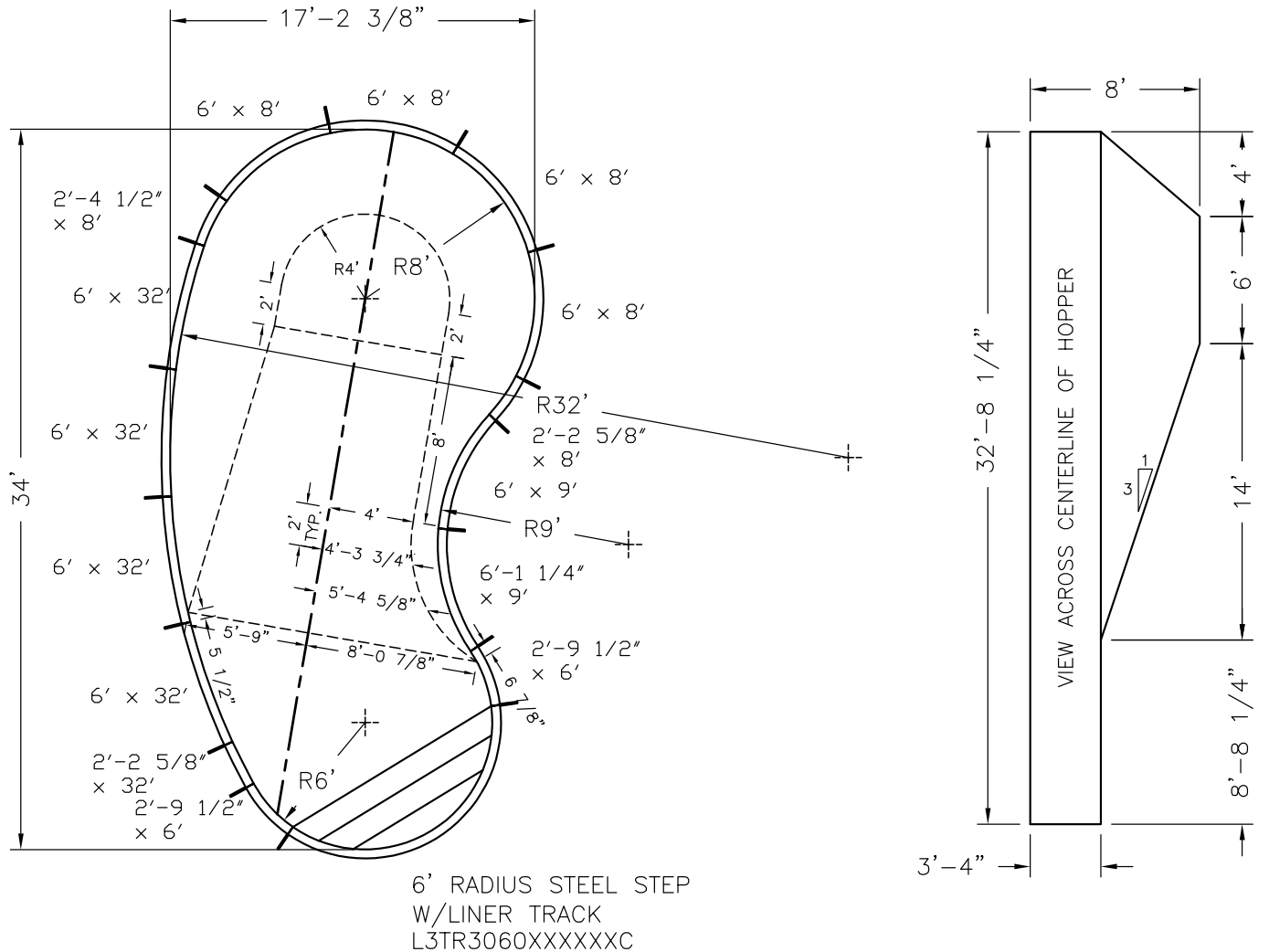
**Approx Gal:** 15,784

**Pool Number:** 1634KID (STEEL)

250 Route 61 South, Schuylkill Haven, PA 17972 • 570-385-4733 • fax: 570-385-1318 • CustomerService@CardinalSystemsinc.com

Bill of Materials

PART NO.	QUANTITY	DESCRIPTION
"A" FRAME	16	"A" FRAME ASSEMBLY
L3TR3060XXXXXC	1	6' RADIUS STEEL STEP W/LINER TRACK
5C42225XX08000	1	2'-2 5/8" x 8' Radius C PANEL W/0 Z
5C42225XX32000	1	2'-2 5/8" x 32' Radius C PANEL W/0 Z
5C42244XX08000	1	2'-4 1/2" x 8' Radius C PANEL W/0 Z
5C42294XX06000	2	2'-9 1/2" x 6' Radius C PANEL W/0 Z
5C42600XX08000	4	6' x 8' Radius C PANEL W/0 Z
5C42600XX32001	4	6' x 32' Radius C PANEL W/1 Z
5R42600XX09000	1	6' x 9' Radius R PANEL W/0 Z
5R42612XX09000	1	6'-1 1/4" x 9' Radius R PANEL W/0 Z



**Date:** 5/10/2022

**Perimeter:** 86'-4"

**Drawn By:** JESSE H

**Area:** 433.9 SQ. FT.

**Scale:** 1/8" = 1'-0"

**Notes:** - - - -



cardinalpools.com

This information is the confidential property of Cardinal Systems, Inc. Disclosure or duplication without proper written approval is strictly prohibited. Acceptance and use of this drawing constitutes knowledge and acceptance by the user of the terms and conditions set forth in the notice and warning which accompanied this drawing is incorporated herein and made part hereof and is found on Cardinal Systems, Inc's website at www.CardinalSystemsInc.com



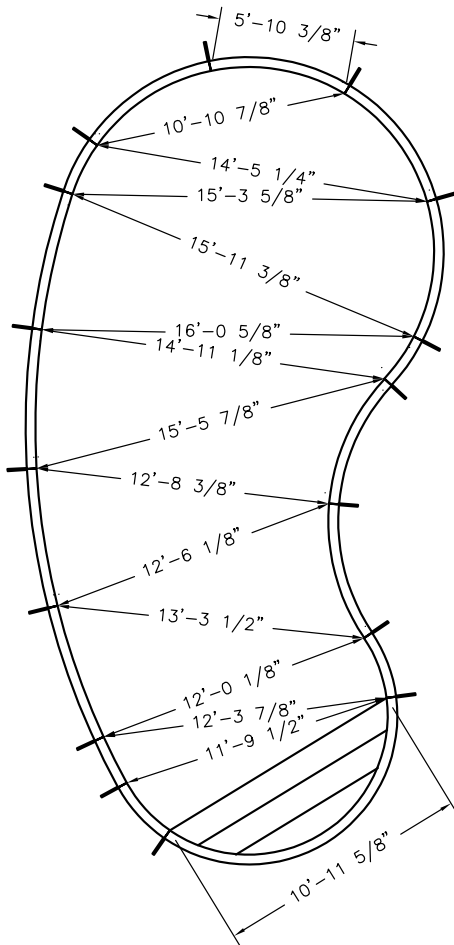
**Pool Size:** 16' X 34'

**Pool Shape:** KIDNEY

**Approx Gal:** 15,784

**Pool Number:** 1634KID (STEEL)

250 Route 61 South, Schuylkill Haven, PA 17972 • 570-385-4733 • fax: 570-385-1318 • CustomerService@CardinalSystemsinc.com



**Date:** 5/10/2022

**Perimeter:** 86'-4"

**Drawn By:** JESSE H

**Area:** 433.9 SQ. FT.

**Scale:** 1/8" = 1'-0"

**Notes:** -----



cardinalpools.com

This information is the confidential property of Cardinal Systems, Inc. Disclosure or duplication without proper written approval is strictly prohibited. Acceptance and use of this drawing constitutes knowledge and acceptance by the user of the terms and conditions set forth in the notice and warning which accompanied this drawing is incorporated herein and made part hereof and is found on Cardinal Systems, Inc's website at www.CardinalSystemsInc.com





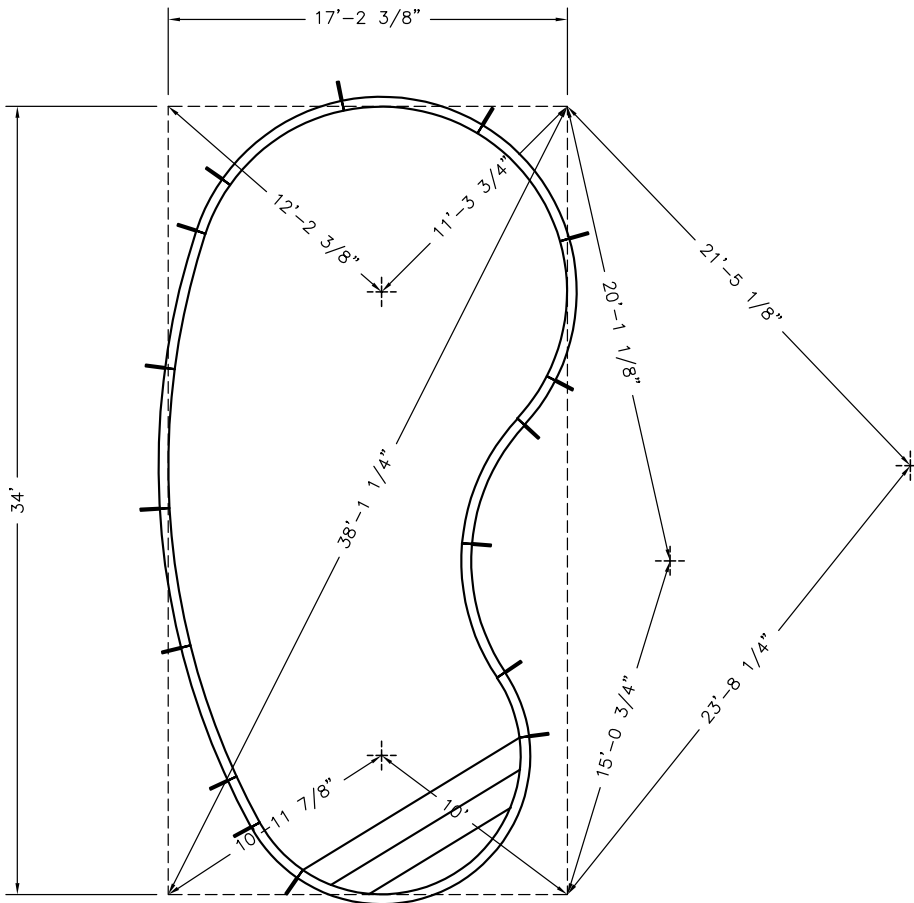
**Pool Size:** 16' X 34'

**Pool Shape:** KIDNEY

**Approx Gal:** 15,784

**Pool Number:** 1634KID (STEEL)

250 Route 61 South, Schuylkill Haven, PA 17972 • 570-385-4733 • fax: 570-385-1318 • CustomerService@CardinalSystemsinc.com



**Date:** 5/10/2022

**Perimeter:** 86'-4"

**Drawn By:** JESSE H

**Area:** 433.9 SQ. FT.

**Scale:** 1/8" = 1'-0"

**Notes:** - - - -



cardinalpools.com

This information is the confidential property of Cardinal Systems, Inc. Disclosure or duplication without proper written approval is strictly prohibited. Acceptance and use of this drawing constitutes knowledge and acceptance by the user of the terms and conditions set forth in the notice and warning which accompanied this drawing is incorporated herein and made part hereof and is found on Cardinal Systems, Inc's website at www.CardinalSystemsInc.com



**Pool Size:** 16' X 34'

**Pool Shape:** KIDNEY

**Approx Gal:** 15,784

**Pool Number:** 1634KID (STEEL)

250 Route 61 South, Schuylkill Haven, PA 17972 • 570-385-4733 • fax: 570-385-1318 • CustomerService@CardinalSystemsinc.com

HOPPER DIG POINTS		F-G	17'	E-H4	19'-2 1/4"	G-H3	4'-5 5/8"
POINTS	DISTANCE	F-H	11'-1 7/8"	E-H5	6'	G-H4	4'-5 5/8"
		G-H	24'	E-H6	9'-10 1/8"	G-H5	17'-11"
E-F	15'	E-H1	19'-8 3/4"	E-H7	9'-8 7/8"	G-H6	17'
E-G	20'	E-H2	21'-0 1/2"	G-H1	4'	G-H7	10'-9 1/4"
E-H	26'	E-H3	17'-8 3/4"	G-H2	4'		
PANEL TO HOPPER POINTS		1-H6	13'-5 1/2"	2-H7	6'-2 1/2"	4-H1	24'-0 1/2"
POINTS	DISTANCE	1-H7	6'-8 1/4"	3-H1	11'-11 5/8"	4-H2	23'-7 1/8"
		2-H1	5'-1 7/8"	3-H2	4'-1"	4-H3	22'-1 1/8"
1-H1	16'	2-H2	11'-6 5/8"	3-H3	12'-4"	4-H4	21'-7 1/4"
1-H2	19'-5 5/8"	2-H3	3'-7 1/8"	3-H4	5'-0 1/2"	4-H5	12'
1-H3	14'-0 3/4"	2-H4	10'-11 3/8"	3-H5	23'-5 5/8"	4-H6	8'-7 7/8"
1-H4	17'-11"	2-H5	11'-8 1/4"	3-H6	17'-3 7/8"	4-H7	14'-5 5/8"
1-H5	6 7/8"	2-H6	17'	3-H7	16'-4 1/8"		
PANEL TO PANEL POINTS		1-S1	2'-9 1/8"	2-S2	21'-6 3/4"	4-C1	31'-5 5/8"
POINTS	DISTANCE	1-S2	11'-9 1/2"	3-C1	10'-5 1/4"	4-C2	1'-9 7/8"
		2-C1	14'-1"	3-C2	27'-0 5/8"	4-I	14'-10 3/8"
1-C1	24'-9 1/2"	2-C2	21'-4 1/4"	3-I	17'-4"	4-J	22'-10 1/2"
1-C2	11'-11 1/8"	2-I	5'-10 5/8"	3-J	15'-11 3/8"	4-K	28'-2 5/8"
1-I	5'-11 7/8"	2-J	2'-2 5/8"	3-K	15'-3 5/8"	4-L	31'-2 1/8"
1-J	13'-2"	2-K	7'-10 3/8"	3-L	12'-6 1/4"	4-M	30'-11 1/8"
1-K	19'-0 1/4"	2-L	12'-5 1/8"	3-M	8'	4-N	27'-6 3/8"
1-L	23'-6"	2-M	15'-3"	3-N	2'-4 3/8"	4-O	19'-10 5/8"
1-M	25'-4 1/8"	2-N	15'-11 1/2"	3-O	5'-11 7/8"	4-P	14'-1 1/4"
1-N	24'-2"	2-O	14'-11 1/8"	3-P	11'-11 1/8"	4-Q	8'-2 3/8"
1-O	19'-2 7/8"	2-P	15'-5 7/8"	3-Q	17'-9 1/8"	4-R	2'-2 5/8"
1-P	15'-10 7/8"	2-Q	17'-2"	3-R	23'-5 1/4"	4-S1	11'-9 1/2"
1-Q	13'-3 1/2"	2-R	19'-7 1/2"	3-S1	25'-7 1/4"	4-S2	2'-9 1/8"
1-R	12'-0 1/8"	2-S1	13'-9 1/4"	3-S2	27'-9"		
BOX POINTS		A-H7	21'-9 1/2"	B-S1	27'-3 5/8"	D-C1	35'-5 7/8"
POINTS	DISTANCE	A-S1	31'-1 7/8"	B-S2	34'-10 1/4"	D-C2	5'-3 7/8"
		A-S2	33'-5 1/4"	C-C1	34'-6 3/8"	D-E	10'-11 7/8"
A-B	17'-2 3/8"	B-C	34'	C-C2	12'-3 1/8"	D-F	25'-11 7/8"
A-C	38'-1 1/4"	B-C1	6'-7 7/8"	C-D	17'-2 3/8"	D-G	27'-7"
A-C1	10'-6 5/8"	B-C2	34'-6 1/2"	C-E	10'	D-H	36'-11 1/2"
A-C2	32'-8 3/4"	B-D	38'-1 1/4"	C-F	15'-0 3/4"	D-H1	28'-6 3/8"
A-D	34'	B-E	29'-1 1/2"	C-G	27'-2 3/8"	D-H2	27'-2 1/4"
A-E	29'-5 5/8"	B-F	20'-1 1/8"	C-H	23'-8 1/4"	D-H3	26'-7 5/8"
A-F	29'-2 1/4"	B-G	11'-3 3/4"	C-H1	25'-7 3/4"	D-H4	25'-2 1/4"
A-G	12'-2 3/8"	B-H	21'-5 1/8"	C-H2	29'-2 3/4"	D-H5	16'-11 5/8"
A-H	35'-6 5/8"	B-H1	9'-6 7/8"	C-H3	23'-9 1/8"	D-H6	11'-2 3/4"
A-H1	15'-9"	B-H2	14'-0 1/8"	C-H4	27'-7"	D-H7	19'-3"
A-H2	9'-0 1/4"	B-H3	11'-6 1/8"	C-H5	9'-3 3/8"	D-S1	16'-7 1/8"
A-H3	16'-7 7/8"	B-H4	15'-4 7/8"	C-H6	19'-9 7/8"	D-S2	5'-10 5/8"
A-H4	10'-6 1/4"	B-H5	25'-3 3/8"	C-H7	16'-6"		
A-H5	29'	B-H6	28'-0 3/4"	C-S1	7'-1"		
A-H6	22'-9 7/8"	B-H7	19'-4 3/4"	C-S2	11'-5 1/2"		

**Date:** 5/10/2022

**Perimeter:** 86'-4"

**Drawn By:** JESSE H

**Area:** 433.9 SQ. FT.

**Scale:** 1/8" = 1'-0"

**Notes:** - - - -



cardinalpools.com

This information is the confidential property of Cardinal Systems, Inc. Disclosure or duplication without proper written approval is strictly prohibited. Acceptance and use of this drawing constitutes knowledge and acceptance by the user of the terms and conditions set forth in the notice and warning which accompanied this drawing is incorporated herein and made part hereof and is found on Cardinal Systems, Inc's website at www.CardinalSystemsInc.com



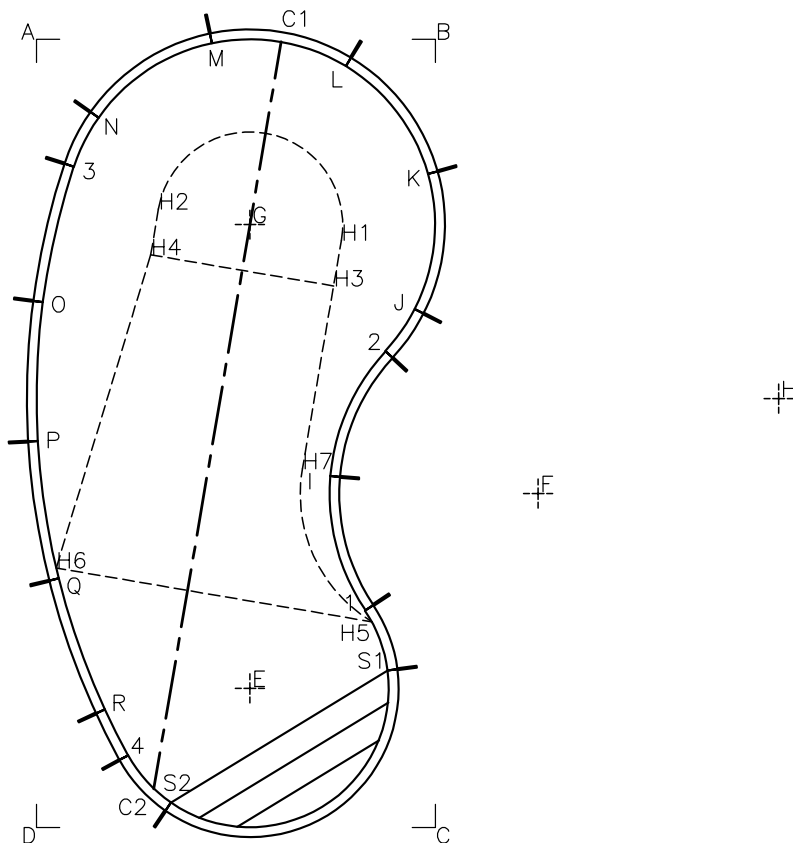
**Pool Size:** 16' X 34'

**Pool Shape:** KIDNEY

**Approx Gal:** 15,784

**Pool Number:** 1634KID (STEEL)

250 Route 61 South, Schuylkill Haven, PA 17972 • 570-385-4733 • fax: 570-385-1318 • CustomerService@CardinalSystemsinc.com



**Date:** 5/10/2022

**Perimeter:** 86'-4"

**Drawn By:** JESSE H

**Area:** 433.9 SQ. FT.

**Scale:** 1/8" = 1'-0"

**Notes:** - - - -



cardinalpools.com

This information is the confidential property of Cardinal Systems, Inc. Disclosure or duplication without proper written approval is strictly prohibited. Acceptance and use of this drawing constitutes knowledge and acceptance by the user of the terms and conditions set forth in the notice and warning which accompanied this drawing is incorporated herein and made part hereof and is found on Cardinal Systems, Inc's website at www.CardinalSystemsInc.com



**Pool Size:** 16' X 36'

**Pool Shape:** KIDNEY

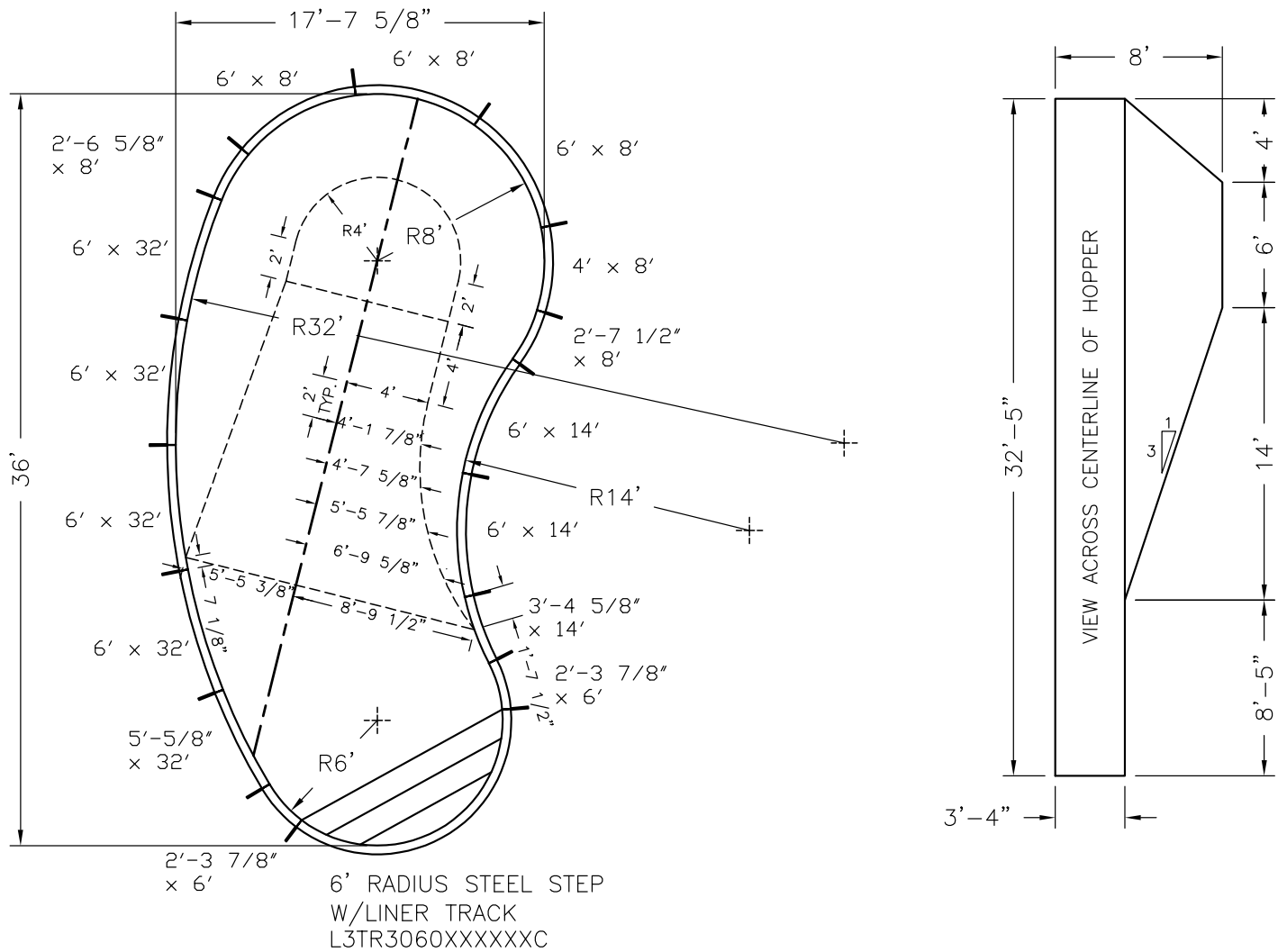
**Approx Gal:** 17,144

**Pool Number:** 1636KID (STEEL)

250 Route 61 South, Schuylkill Haven, PA 17972 • 570-385-4733 • fax: 570-385-1318 • CustomerService@CardinalSystemsinc.com

Bill of Materials

PART NO.	QUANTITY	DESCRIPTION
"A" FRAME	17	"A" FRAME ASSEMBLY
L3TR3060XXXXXXC	1	6' RADIUS STEEL STEP W/LINER TRACK
5C42237XX06000	2	2'-3 7/8" x 6' Radius C PANEL W/0 Z
5C42265XX08000	1	2'-6 5/8" x 8' Radius C PANEL W/0 Z
5C42274XX08000	1	2'-7 1/2" x 8' Radius C PANEL W/0 Z
5C42400XX08000	1	4' x 8' Radius C PANEL W/0 Z
5C42505XX32000	1	5'-5/8" x 32' Radius C PANEL W/0 Z
5C42600XX08000	3	6' x 8' Radius C PANEL W/0 Z
5C42600XX32001	4	6' x 32' Radius C PANEL W/1 Z
5R42345XX14000	1	3'-4 5/8" x 14' Radius R PANEL W/0 Z
5R42600XX14000	2	6' x 14' Radius R PANEL W/0 Z



<b>Date:</b> 5/10/2022	<b>Perimeter:</b> 90'-0 7/8"	
<b>Drawn By:</b> JESSE H	<b>Area:</b> 471.3 SQ. FT.	
<b>Scale:</b> 1/8" = 1'-0"	<b>Notes:</b> -----	

This information is the confidential property of Cardinal Systems, Inc. Disclosure or duplication without proper written approval is strictly prohibited. Acceptance and use of this drawing constitutes knowledge and acceptance by the user of the terms and conditions set forth in the notice and warning which accompanied this drawing is incorporated herein and made part hereof and is found on Cardinal Systems, Inc's website at www.CardinalSystemsInc.com



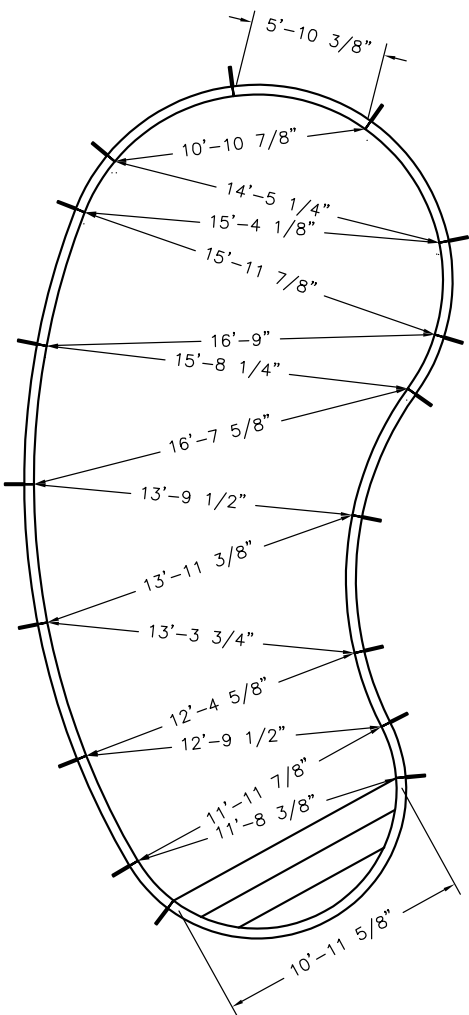
**Pool Size:** 16' X 36'

**Pool Shape:** KIDNEY

**Approx Gal:** 17,144

**Pool Number:** 1636KID (STEEL)

250 Route 61 South, Schuylkill Haven, PA 17972 • 570-385-4733 • fax: 570-385-1318 • CustomerService@CardinalSystemsinc.com



**Date:** 5/10/2022

**Perimeter:** 90'-0 7/8"

**Drawn By:** JESSE H

**Area:** 471.3 SQ. FT.

**Scale:** 1/8" = 1'-0"

**Notes:** - - - -



This information is the confidential property of Cardinal Systems, Inc. Disclosure or duplication without proper written approval is strictly prohibited. Acceptance and use of this drawing constitutes knowledge and acceptance by the user of the terms and conditions set forth in the notice and warning which accompanied this drawing is incorporated herein and made part hereof and is found on Cardinal Systems, Inc's website at www.CardinalSystemsInc.com



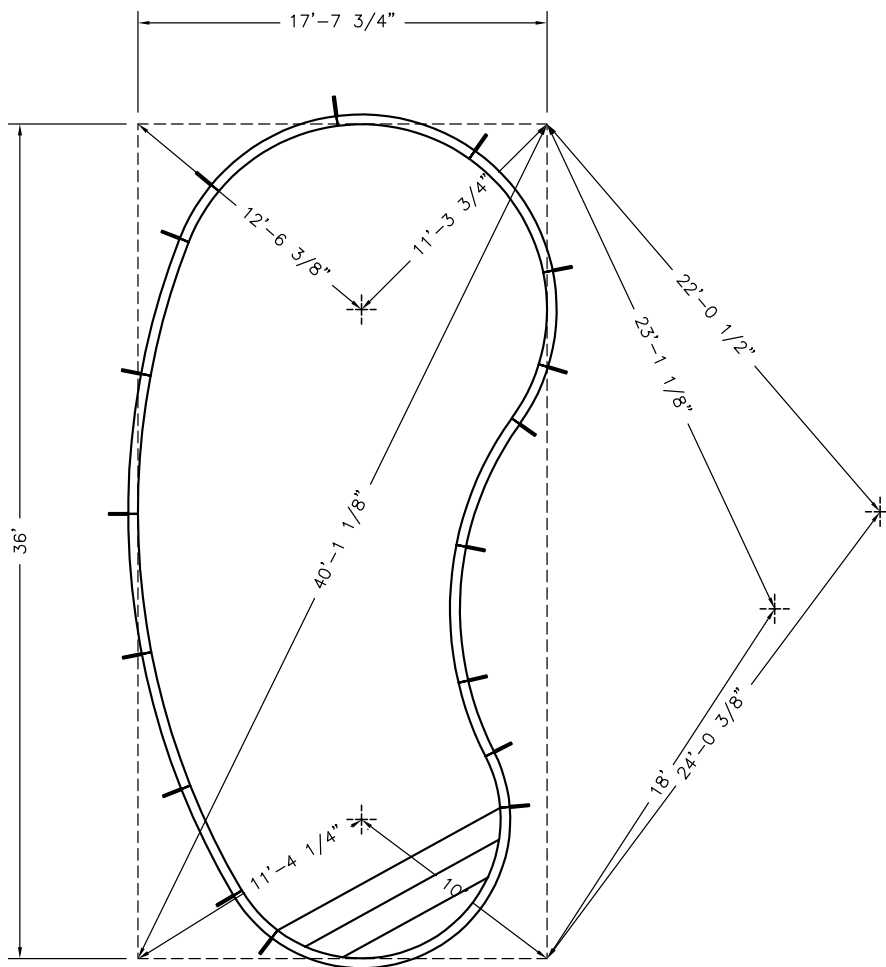
**Pool Size:** 16' X 36'

**Pool Shape:** KIDNEY

**Approx Gal:** 17,144

**Pool Number:** 1636KID (STEEL)

250 Route 61 South, Schuylkill Haven, PA 17972 • 570-385-4733 • fax: 570-385-1318 • CustomerService@CardinalSystemsinc.com



**Date:** 5/10/2022

**Perimeter:** 90'-0 7/8"

**Drawn By:** JESSE H

**Area:** 471.3 SQ. FT.

**Scale:** 1/8" = 1'-0"

**Notes:** -----



cardinalpools.com

This information is the confidential property of Cardinal Systems, Inc. Disclosure or duplication without proper written approval is strictly prohibited. Acceptance and use of this drawing constitutes knowledge and acceptance by the user of the terms and conditions set forth in the notice and warning which accompanied this drawing is incorporated herein and made part hereof and is found on Cardinal Systems, Inc's website at www.CardinalSystemsInc.com



**Pool Size:** 16' X 36'

**Pool Shape:** KIDNEY

**Approx Gal:** 17,144

**Pool Number:** 1636KID (STEEL)

250 Route 61 South, Schuylkill Haven, PA 17972 • 570-385-4733 • fax: 570-385-1318 • CustomerService@CardinalSystemsinc.com

HOPPER DIG POINTS		F-G	22'	E-H4	19'-4 5/8"	G-H3	4'-5 5/8"
POINTS	DISTANCE	F-H	6'-2 1/8"	E-H5	12'-0 1/2"	G-H4	4'-5 5/8"
		G-H <td>24'</td> <th>E-H6</th> <th>6'-4 1/4"</th> <th>G-H5</th> <th>16'-10 7/8"</th>	24'	E-H6	6'-4 1/4"	G-H5	16'-10 7/8"
E-F	20'	E-H1	21'-4 5/8"	E-H7	15'-4 3/4"	G-H6	18'-3 1/8"
E-G	22'	E-H2	23'-3 5/8"	G-H1	4'	G-H7	7'-2 1/2"
E-H	26'	E-H3	21'-5 3/4"	G-H2	4'		
PANEL TO HOPPER POINTS							
POINTS	DISTANCE	1-H6	1'-9 1/8"	2-H7	4'-6 3/4"	4-H1	25'-8 3/4"
		1-H7	12'-9 7/8"	3-H1	11'-11 3/4"	4-H2	26'-0 3/4"
		2-H1	4'-6 1/2"	3-H2	4'-0 3/4"	4-H3	24'-1 1/4"
1-H1	18'-4 3/8"	2-H2	11'-9 5/8"	3-H3	4'-11 1/2"	4-H4	23'-9"
1-H2	22'-3"	2-H3	11'-5 5/8"	3-H4	12'-3 3/4"	4-H5	11'-7"
1-H3	20'-8 5/8"	2-H4	3'-6 3/4"	3-H5	17'-2 1/4"	4-H6	12'-3 3/8"
1-H4	16'-5 3/4"	2-H5	18'-3 3/4"	3-H6	23'-10 3/8"	4-H7	19'-9 3/8"
1-H5	15'-4 1/2"	2-H6	13'-1 1/8"	3-H7	13'-10 1/8"		
PANEL TO PANEL POINTS							
POINTS	DISTANCE	1-S1	2'-3 5/8"	2-S2	24'-3 1/2"	4-C1	33'-7"
		1-S2	11'-8 3/8"	3-C1	10'-6 7/8"	4-C2	1'-7"
		2-C1	13'-3"	3-C2	26'-7 5/8"	4-I	12'-11 3/8"
1-C1	27'-3"	2-C2	22'-8 1/4"	3-I	22'-3 1/2"	4-J	17'-6 5/8"
1-C2	12'-1 1/4"	2-I	11'-7 5/8"	3-J	17'-5 1/8"	4-K	26'-0 3/4"
1-I	3'-4 1/2"	2-J	5'-11 1/2"	3-K	15'-11 7/8"	4-L	29'-7 7/8"
1-J	9'-2 1/2"	2-K	2'-7 1/4"	3-L	15'-4 1/8"	4-M	33'-0 3/4"
1-K	17'-0 3/4"	2-L	6'-5 1/4"	3-M	12'-7 1/2"	4-N	33'-3"
1-L	21'-0 1/8"	2-M	11'-4 1/4"	3-N	8'-1 3/4"	4-O	30'-2 1/8"
1-M	25'-9 1/2"	2-N	14'-8 1/4"	3-O	2'-6 1/2"	4-P	22'-6 3/4"
1-N	27'-11 3/8"	2-O	15'-11 7/8"	3-P	5'-11 7/8"	4-Q	16'-10 1/4"
1-O	26'-11 3/8"	2-P	15'-8 1/4"	3-Q	11'-11 1/8"	4-R	11'
1-P	21'-10 3/8"	2-Q	16'-7 5/8"	3-R	17'-9 1/8"	4-S	5'-0 5/8"
1-Q	18'-3 1/4"	2-R	18'-6 3/8"	3-S	23'-5 1/4"	4-S1	11'-8 3/8"
1-R	15'-1 1/8"	2-S	21'-0 5/8"	3-S1	27'-10 1/4"	4-S2	2'-3 5/8"
1-S	12'-9 1/2"	2-S1	16'-9 5/8"	3-S2	29'-11 1/4"		
BOX POINTS							
POINTS	DISTANCE	A-H7	19'-1 1/8"	B-S1	29'-6 5/8"	D-C1	37'-7 1/8"
		A-S1	33'-4 1/2"	B-S2	36'-8 1/8"	D-C2	5'-8 1/4"
		A-S2	35'-3 5/8"	C-C1	36'-3 1/4"	D-E	11'-4 1/4"
A-B	17'-7 3/4"	B-C	36'	C-C2	14'-7"	D-F	31'-4"
A-C	40'-1 1/8"	B-C1	6'-0 3/4"	C-D	17'-7 3/4"	D-G	29'-7 3/8"
A-C1	11'-7 1/8"	B-C2	34'-7 3/8"	C-E	10'	D-H	37'-4 1/4"
A-C2	31'-10 7/8"	B-D	40'-1 1/8"	C-F	18'	D-H1	30'-2 5/8"
A-D	36'	B-E	31'-0 5/8"	C-G	29'-1 1/2"	D-H2	29'-6 1/2"
A-E	31'-6 1/8"	B-F	23'-1 1/8"	C-H	24'-0 3/8"	D-H3	27'-6 1/2"
A-F	34'-6 1/8"	B-G	11'-3 3/4"	C-H1	27'-4 1/8"	D-H4	28'-3 1/4"
A-G	12'-6 3/8"	B-H	22'-0 1/2"	C-H2	31'-3 3/4"	D-H5	13'-9 3/4"
A-H	36'-1 1/4"	B-H1	9'-10 1/2"	C-H3	29'-8 3/4"	D-H6	17'-7 5/8"
A-H1	16'-2 3/4"	B-H2	13'-9 5/8"	C-H4	25'-6 1/8"	D-H7	24'-4 3/4"
A-H2	9'-1 1/8"	B-H3	15'-3 1/4"	C-H5	22'-0 3/8"	D-S1	16'-11 1/8"
A-H3	10'-4 7/8"	B-H4	11'-10 1/8"	C-H6	10'-10 1/2"	D-S2	6'-1 5/8"
A-H4	17'	B-H5	28'-0 3/4"	C-H7	21'-11 1/8"		
A-H5	22'-2 3/8"	B-H6	25'-10 1/2"	C-S1	6'-9 7/8"		
A-H6	29'-4 3/8"	B-H7	15'-9 3/4"	C-S2	11'-8 1/4"		

**Date:** 5/10/2022

**Perimeter:** 90'-0 7/8"

**Drawn By:** JESSE H

**Area:** 471.3 SQ. FT.

**Scale:** 1/8" = 1'-0"

**Notes:** - - - -



cardinalpools.com

This information is the confidential property of Cardinal Systems, Inc. Disclosure or duplication without proper written approval is strictly prohibited. Acceptance and use of this drawing constitutes knowledge and acceptance by the user of the terms and conditions set forth in the notice and warning which accompanied this drawing is incorporated herein and made part hereof and is found on Cardinal Systems, Inc's website at www.CardinalSystemsInc.com



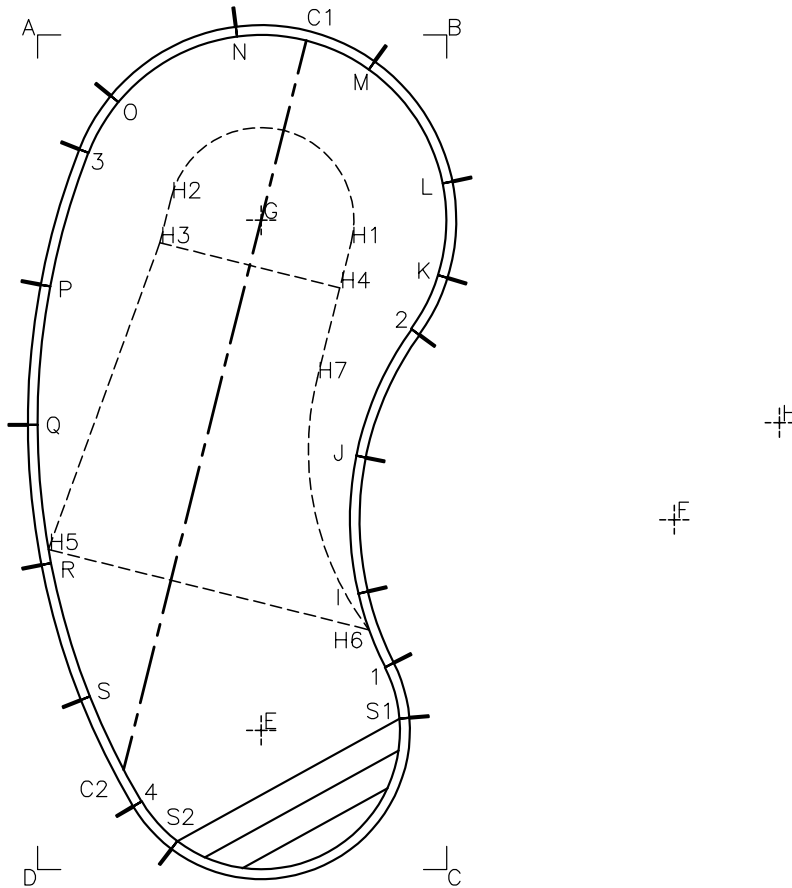
**Pool Size:** 16' X 36'


**Pool Shape:** KIDNEY

**Approx Gal:** 17,144

**Pool Number:** 1636KID (STEEL)

250 Route 61 South, Schuylkill Haven, PA 17972 • 570-385-4733 • fax: 570-385-1318 • CustomerService@CardinalSystemsinc.com



<b>Date:</b> 5/10/2022	<b>Perimeter:</b> 90'-0 7/8"	 cardinalpools.com
<b>Drawn By:</b> JESSE H	<b>Area:</b> 471.3 SQ. FT.	
<b>Scale:</b> 1/8" = 1'-0"	<b>Notes:</b> -----	

This information is the confidential property of Cardinal Systems, Inc. Disclosure or duplication without proper written approval is strictly prohibited. Acceptance and use of this drawing constitutes knowledge and acceptance by the user of the terms and conditions set forth in the notice and warning which accompanied this drawing is incorporated herein and made part hereof and is found on Cardinal Systems, Inc's website at www.CardinalSystemsInc.com





**Pool Size:** 18' X 34'

**Pool Shape:** KIDNEY

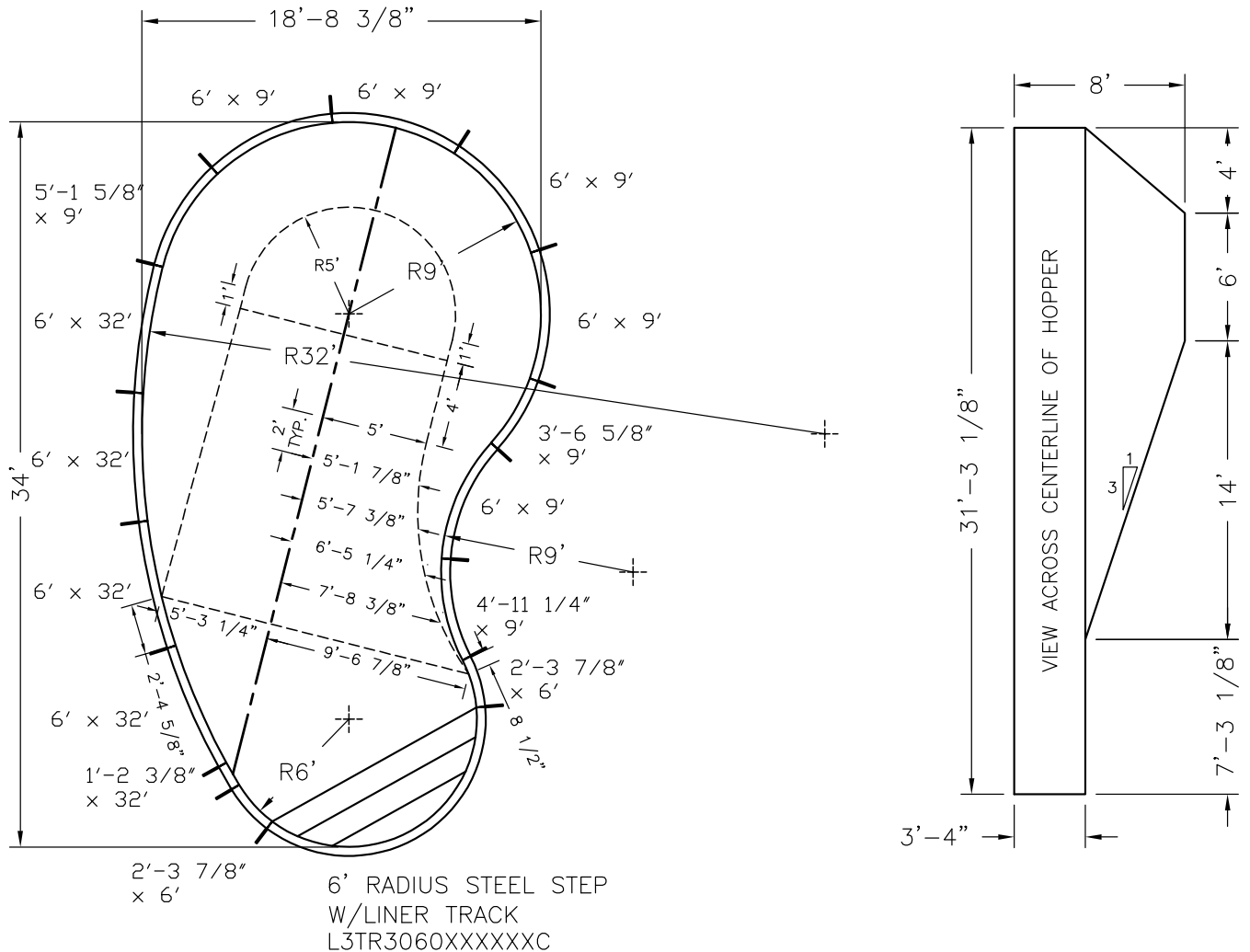
**Approx Gal:** 17,137

**Pool Number:** 1834KID (STEEL)

250 Route 61 South, Schuylkill Haven, PA 17972 • 570-385-4733 • fax: 570-385-1318 • CustomerService@CardinalSystemsinc.com

Bill of Materials

PART NO.	QUANTITY	DESCRIPTION
"A" FRAME	16	"A" FRAME ASSEMBLY
L3TR3060XXXXXC	1	6' RADIUS STEEL STEP W/LINER TRACK
5C42123XX32000	1	1'-2 3/8" x 32' Radius C PANEL W/0 Z
5C42237XX06000	2	2'-3 7/8" x 6' Radius C PANEL W/0 Z
5C42365XX09000	1	3'-6 5/8" x 9' Radius C PANEL W/0 Z
5C42515XX09000	1	5'-1 5/8" x 9' Radius C PANEL W/0 Z
5C42600XX09000	4	6' x 9' Radius C PANEL W/0 Z
5C42600XX32001	4	6' x 32' Radius C PANEL W/1 Z
5R424E2XX09000	1	4'-11 1/4" x 9' Radius R PANEL W/0 Z
5R42600XX09000	1	6' x 9' Radius R PANEL W/0 Z



**Date:** 5/10/2022

**Perimeter:** 87'-3 1/2"

**Drawn By:** JESSE H

**Area:** 471.1 SQ. FT.

**Scale:** 1/8" = 1'-0"

**Notes:** - - - -



cardinalpools.com

This information is the confidential property of Cardinal Systems, Inc. Disclosure or duplication without proper written approval is strictly prohibited. Acceptance and use of this drawing constitutes knowledge and acceptance by the user of the terms and conditions set forth in the notice and warning which accompanied this drawing is incorporated herein and made part hereof and is found on Cardinal Systems, Inc's website at www.CardinalSystemsInc.com



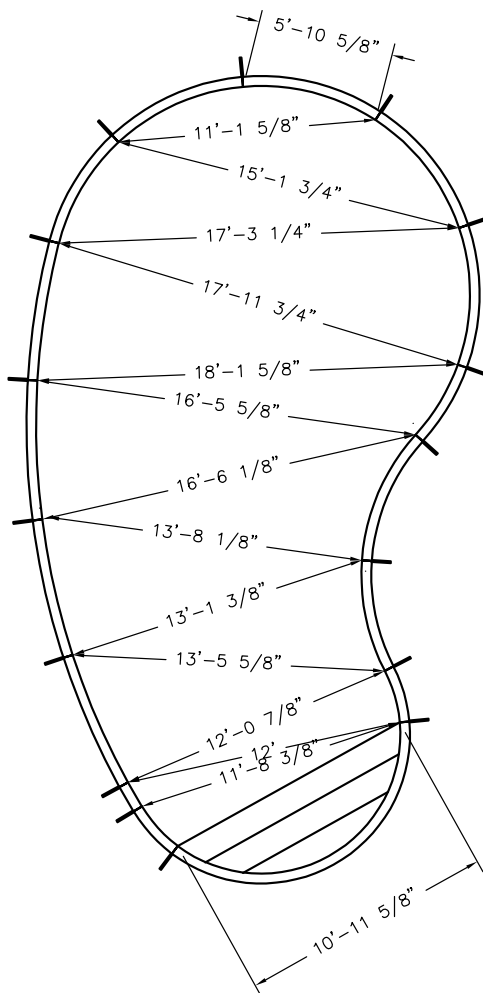
**Pool Size:** 18' X 34

**Pool Shape:** KIDNEY

**Approx Gal:** 17,137

**Pool Number:** 1834KID (STEEL)

250 Route 61 South, Schuylkill Haven, PA 17972 • 570-385-4733 • fax: 570-385-1318 • CustomerService@CardinalSystemsinc.com



**Date:** 5/10/2022

**Perimeter:** 87'-3 1/2"

**Drawn By:** JESSE H

**Area:** 471.1 SQ. FT.

**Scale:** 1/8" = 1'-0"

**Notes:** -----



cardinalpools.com

This information is the confidential property of Cardinal Systems, Inc. Disclosure or duplication without proper written approval is strictly prohibited. Acceptance and use of this drawing constitutes knowledge and acceptance by the user of the terms and conditions set forth in the notice and warning which accompanied this drawing is incorporated herein and made part hereof and is found on Cardinal Systems, Inc's website at www.CardinalSystemsInc.com



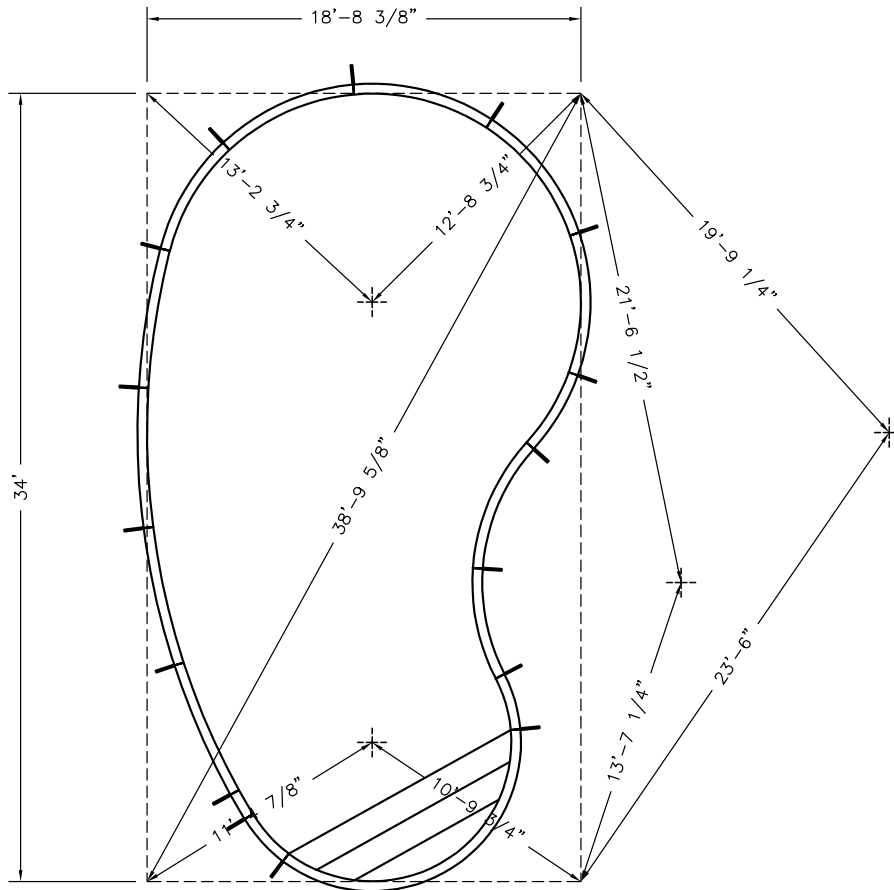
**Pool Size:** 18' X 34

**Pool Shape:** KIDNEY

**Pool Number:** 1834KID (STEEL)

**Approx Gal:** 17,137

250 Route 61 South, Schuylkill Haven, PA 17972 • 570-385-4733 • fax: 570-385-1318 • CustomerService@CardinalSystemsInc.com



**Date:** 5/10/2022

**Drawn By:** JESSE H

**Scale:** 1/8" = 1'-0"

**Perimeter:** 87'-3 1/2"

**Area:** 471.1 SQ. FT.

**Notes:** - - - -



cardinalpools.com

This information is the confidential property of Cardinal Systems, Inc. Disclosure or duplication without proper written approval is strictly prohibited. Acceptance and use of this drawing constitutes knowledge and acceptance by the user of the terms and conditions set forth in the notice and warning which accompanied this drawing is incorporated herein and made part hereof and is found on Cardinal Systems, Inc's website at www.CardinalSystemsInc.com



**Pool Size:** 18' X 34'


**Pool Shape:** KIDNEY

**Approx Gal:** 17,137

**Pool Number:** 1834KID (STEEL)

250 Route 61 South, Schuylkill Haven, PA 17972 • 570-385-4733 • fax: 570-385-1318 • CustomerService@CardinalSystemsinc.com

HOPPER DIG POINTS		F-G	18'	E-H4	19'-11"	G-H3	5'-1 1/4"
POINTS	DISTANCE	F-H	11'-0 7/8"	E-H5	6'	G-H4	5'-1 1/4"
E-F	15'	G-H	23'	E-H6	10'-5 7/8"	G-H5	17'-9 1/2"
E-G	19'	E-H1	18'-5 1/8"	E-H7	13'-5 1/8"	G-H6	15'-10 3/4"
E-H	26'	E-H2	20'-9 1/2"	G-H1	5'	G-H7	7'-0 7/8"
		E-H3	17'-5 1/8"	G-H2	5'		
PANEL TO HOPPER POINTS		1-H6	14'-5"	2-H7	3'-0 3/8"	4-H1	23'-1 5/8"
POINTS	DISTANCE	1-H7	10'-3 3/4"	3-H1	14'	4-H2	23'-3 3/4"
1-H1	15'-0 3/8"	2-H1	5'-1 7/8"	3-H2	4'	4-H3	22'-1 7/8"
1-H2	20'-2 5/8"	2-H2	13'-7 3/8"	3-H3	14'-0 3/8"	4-H4	22'-4"
1-H3	14'-0 7/8"	2-H3	4'-4 1/2"	3-H4	4'-1 1/2"	4-H5	11'-11 3/8"
1-H4	19'-6 1/8"	2-H4	13'-4"	3-H5	23'-10 1/2"	4-H6	9'-6 5/8"
1-H5	8 1/2"	2-H5	10'-10 5/8"	3-H6	15'-5 1/2"	4-H7	18'-3 1/8"
		2-H6	17'-0 1/2"	3-H7	14'-10 3/8"		
PANEL TO PANEL POINTS		1-S1	2'-3 3/4"	2-S2	20'-6"	4-C1	31'-8 1/8"
POINTS	DISTANCE	1-S2	11'-8 3/8"	3-C1	12'-8 3/4"	4-C2	31'-7"
1-C1	25'-2"	2-C1	15'-5 1/4"	3-C2	24'-0 1/8"	4-I	14'-2 7/8"
1-C2	12'-0 1/4"	2-C2	19'-8 1/4"	3-I	18'-11"	4-J	23'-5 1/8"
1-I	4'-10 1/2"	2-I	5'-10 5/8"	3-J	17'-11 3/4"	4-K	28'-5 3/8"
1-J	13'-7"	2-J	3'-6 3/8"	3-K	17'-3 1/4"	4-L	31'-3 3/8"
1-K	19'-4 1/2"	2-K	9'-1 3/8"	3-L	14'-7 7/8"	4-M	31'-4 1/4"
1-L	23'-9 1/4"	2-L	13'-8 1/4"	3-M	10'-5 1/4"	4-N	28'-8"
1-M	25'-11 1/4"	2-M	16'-9 1/8"	3-N	5'-0 3/4"	4-O	18'-10 7/8"
1-N	25'-6 1/2"	2-N	17'-11 7/8"	3-O	5'-11 7/8"	4-P	13'-1 1/4"
1-O	19'-6 1/4"	2-O	16'-5 5/8"	3-P	11'-11 1/8"	4-Q	7'-2 1/8"
1-P	16'-1 3/4"	2-P	16'-6 1/8"	3-Q	17'-9 1/8"	4-R	1'-2 3/8"
1-Q	13'-5 5/8"	2-Q	17'-6 7/8"	3-R	23'-5 1/4"	4-S1	11'-8 3/8"
1-R	12'-0 7/8"	2-R	19'-5 1/2"	3-S1	25'-4 1/4"	4-S2	2'-3 3/4"
		2-S1	12'-5 1/8"	3-S2	26'-6"		
BOX POINTS		A-H7	20'-1 3/8"	B-S1	27'-7 1/2"	D-C1	35'-9 1/8"
POINTS	DISTANCE	A-S1	31'-7 3/8"	B-S2	35'-1 5/8"	D-C2	5'-5 1/2"
A-B	18'-8 3/8"	A-S2	33'-4 3/8"	C-C1	34'-4 7/8"	D-E	11'-4 7/8"
A-C	38'-9 5/8"	B-C	34'	C-C2	14'-10 1/8"	D-F	26'-4 5/8"
A-C1	11'-10 7/8"	B-C1	6'-9 5/8"	C-D	18'-8 3/8"	D-G	26'-9 3/4"
A-C2	30'-10 1/2"	B-C2	33'-9 7/8"	C-E	10'-9 3/4"	D-H	37'-4 7/8"
A-D	34'	B-D	38'-9 5/8"	C-F	13'-7 1/4"	D-H1	27'-10 1/2"
A-E	29'-7 5/8"	B-E	29'-4 7/8"	C-G	26'-6 7/8"	D-H2	26'-8"
A-F	31'-2 3/4"	B-F	21'-6 1/2"	C-H	23'-6"	D-H3	26'-11"
A-G	13'-2 3/4"	B-G	12'-8 3/4"	C-H1	24'-1 5/8"	D-H4	25'-8"
A-H	35'-2 1/4"	B-H	19'-9 1/4"	C-H2	29'-7 7/8"	D-H5	17'-4"
A-H1	17'-9 3/8"	B-H1	11'-0 3/8"	C-H3	23'-2 3/4"	D-H6	11'-9 3/8"
A-H2	9'-2"	B-H2	15'-10 5/8"	C-H4	28'-11"	D-H7	23'-1 3/4"
A-H3	18'-2"	B-H3	12'-0 1/4"	C-H5	8'-9 1/2"	D-S1	16'-11 7/8"
A-H4	9'-10 5/8"	B-H4	16'-7"	C-H6	21'-3 3/4"	D-S2	6'-2 5/8"
A-H5	30'-0 7/8"	B-H5	26'-1 1/4"	C-H7	19'-8 1/8"		
A-H6	22'-3 1/4"	B-H6	28'-5 7/8"	C-S1	7'-2 1/2"		
		B-H7	16'	C-S2	12'-7 7/8"		

<b>Date:</b> 5/10/2022	<b>Perimeter:</b> 87'-3 1/2"	 cardinalpools.com
<b>Drawn By:</b> JESSE H	<b>Area:</b> 471.1 SQ. FT.	
<b>Scale:</b> 1/8" = 1'-0"	<b>Notes:</b> - - - -	
This information is the confidential property of Cardinal Systems, Inc. Disclosure or duplication without proper written approval is strictly prohibited. Acceptance and use of this drawing constitutes knowledge and acceptance by the user of the terms and conditions set forth in the notice and warning which accompanied this drawing is incorporated herein and made part hereof and is found on Cardinal Systems, Inc's website at www.CardinalSystemsInc.com		



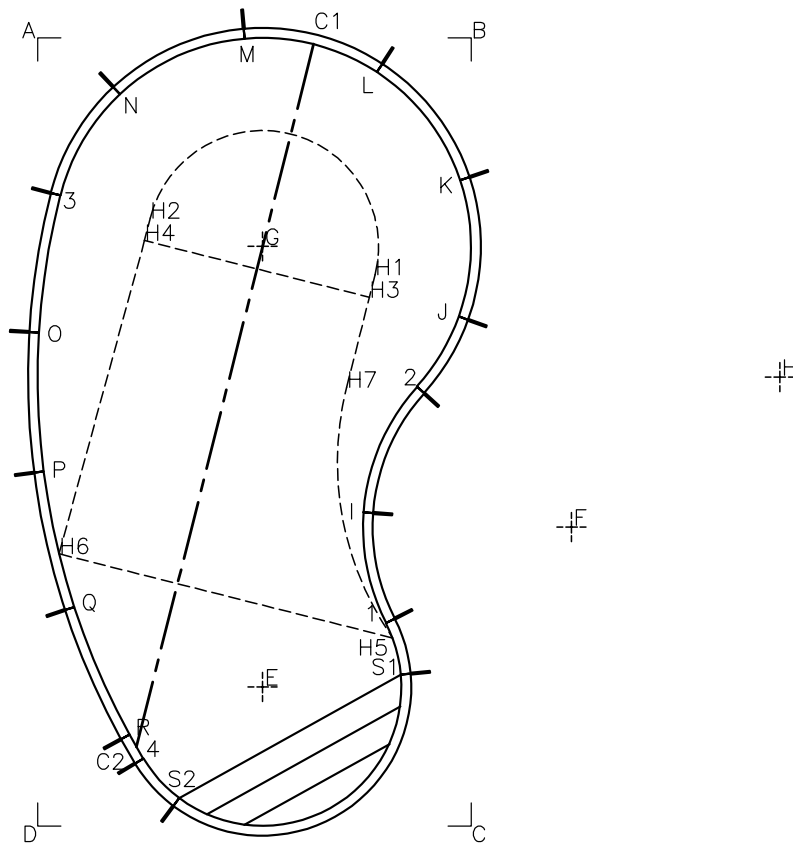
**Pool Size:** 18' X 34

**Pool Shape:** KIDNEY

**Pool Number:** 1834KID (STEEL)

**Approx Gal:** 17,137

250 Route 61 South, Schuylkill Haven, PA 17972 • 570-385-4733 • fax: 570-385-1318 • CustomerService@CardinalSystemsinc.com



**Date:** 5/10/2022

**Perimeter:** 87'-3 1/2"

**Drawn By:** JESSE H

**Area:** 471.1 SQ. FT.

**Scale:** 1/8" = 1'-0"

**Notes:** -----



cardinalpools.com

This information is the confidential property of Cardinal Systems, Inc. Disclosure or duplication without proper written approval is strictly prohibited. Acceptance and use of this drawing constitutes knowledge and acceptance by the user of the terms and conditions set forth in the notice and warning which accompanied this drawing is incorporated herein and made part hereof and is found on Cardinal Systems, Inc's website at www.CardinalSystemsInc.com



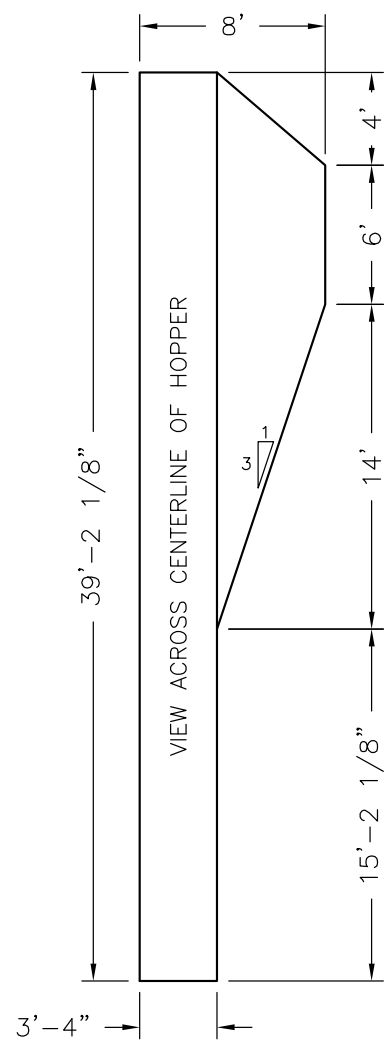
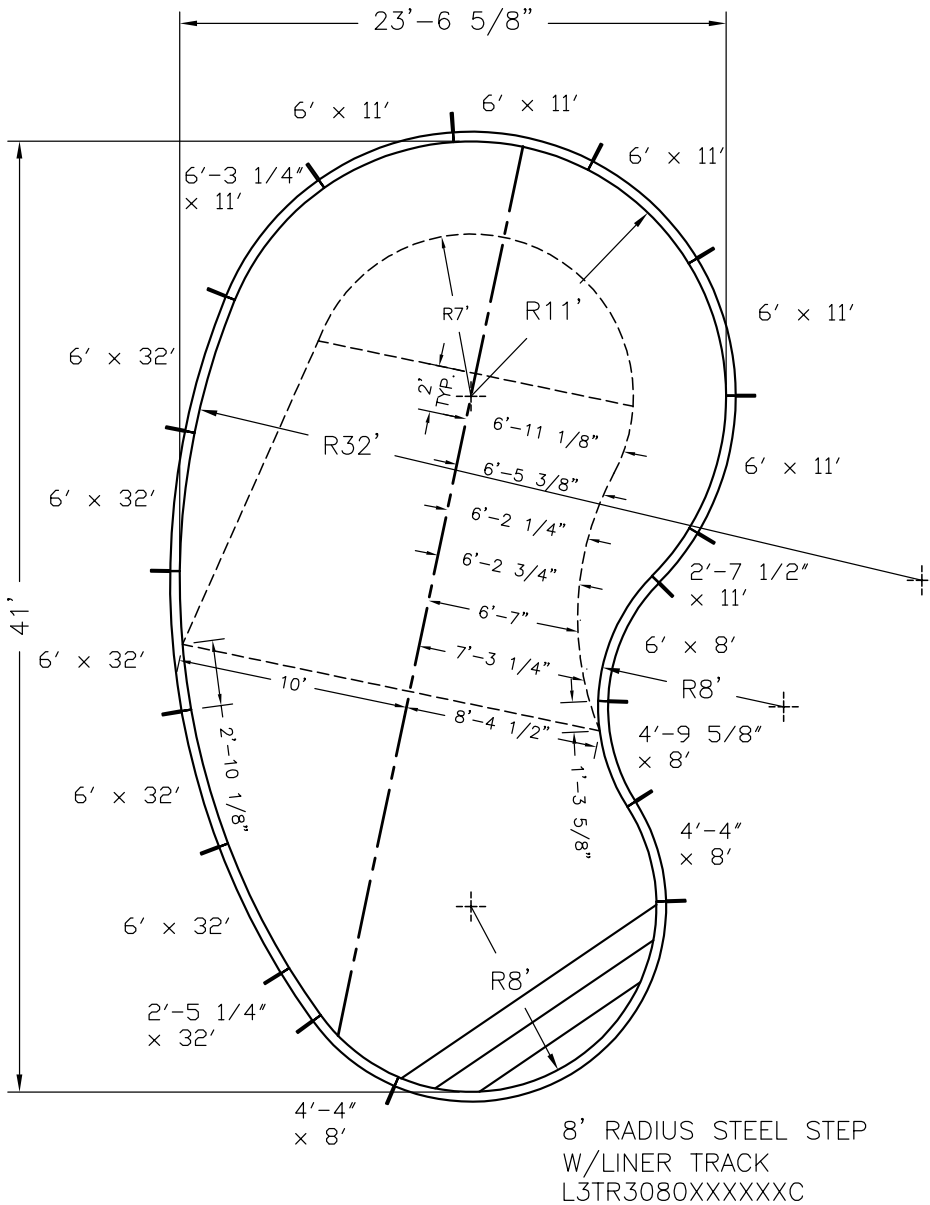
**Pool Size:** 22' X 41'  
**Pool Shape:** KIDNEY  
**Pool Number:** 2241KID (STEEL)

**Approx Gal:** 26,292

250 Route 61 South, Schuylkill Haven, PA 17972 • 570-385-4733 • fax: 570-385-1318 • CustomerService@CardinalSystemsinc.com

Bill of Materials

PART NO.	QUANTITY	DESCRIPTION
"A" FRAME	18	"A" FRAME ASSEMBLY
L3TR3080XXXXXXC	1	8' RADIUS STEEL STEP W/LINER TRACK
5C42252XX32000	1	2'-5 1/4" x 32' Radius C PANEL W/0 Z
5C42274XX11000	1	2'-7 1/2" x 11' Radius C PANEL W/0 Z
5C42440XX08000	2	4'-4" x 8' Radius C PANEL W/0 Z
5C42600XX11000	5	6' x 11' Radius C PANEL W/0 Z
5C42600XX32001	5	6' x 32' Radius C PANEL W/1 Z
5C42632XX11000	1	6'-3 1/4" x 11' Radius C PANEL W/0 Z
5R42495XX08000	1	4'-9 5/8" x 8' Radius R PANEL W/0 Z
5R42600XX08000	1	6' x 8' Radius R PANEL W/0 Z



<b>Date:</b> 5/10/2022	<b>Perimeter:</b> 106'-9 5/8"
<b>Drawn By:</b> JESSE H	<b>Area:</b> 722.8 SQ. FT.
<b>Scale:</b> 1/8" = 1'-0"	<b>Notes:</b> -----



This information is the confidential property of Cardinal Systems, Inc. Disclosure or duplication without proper written approval is strictly prohibited. Acceptance and use of this drawing constitutes knowledge and acceptance by the user of the terms and conditions set forth in the notice and warning which accompanied this drawing is incorporated herein and made part hereof and is found on Cardinal Systems, Inc's website at www.CardinalSystemsInc.com



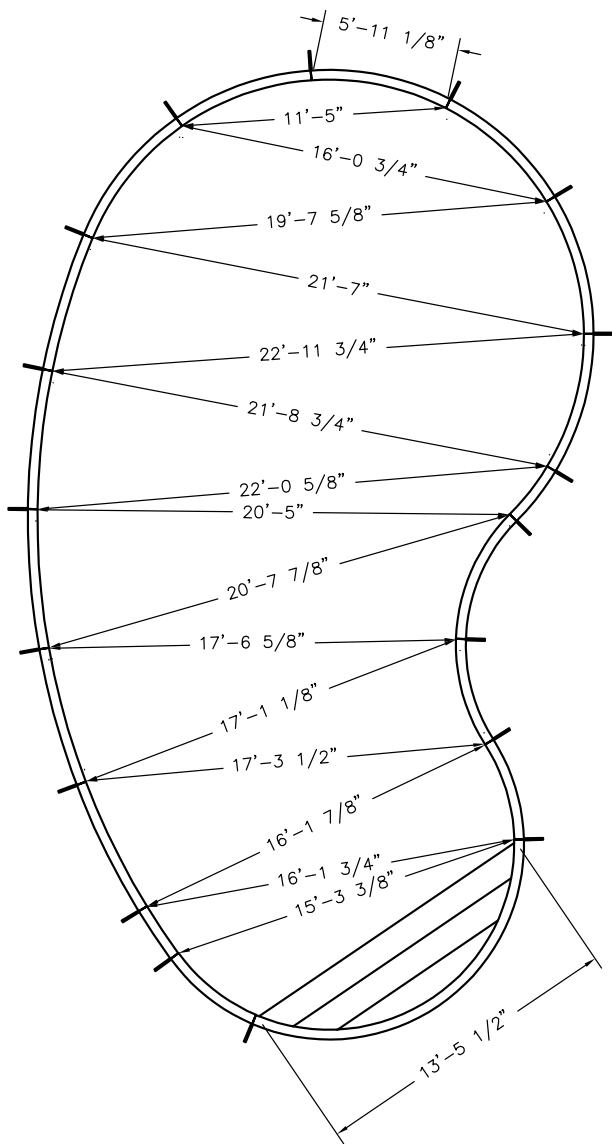
**Pool Size:** 22' X 41'

**Pool Shape:** KIDNEY

**Approx Gal:** 26,292

**Pool Number:** 2241KID (STEEL)

250 Route 61 South, Schuylkill Haven, PA 17972 • 570-385-4733 • fax: 570-385-1318 • CustomerService@CardinalSystemsinc.com



**Date:** 5/10/2022

**Perimeter:** 106'-9 5/8"

**Drawn By:** JESSE H

**Area:** 722.8 SQ. FT.

**Scale:** 1/8" = 1'-0"

**Notes:** - - - -



cardinalpools.com

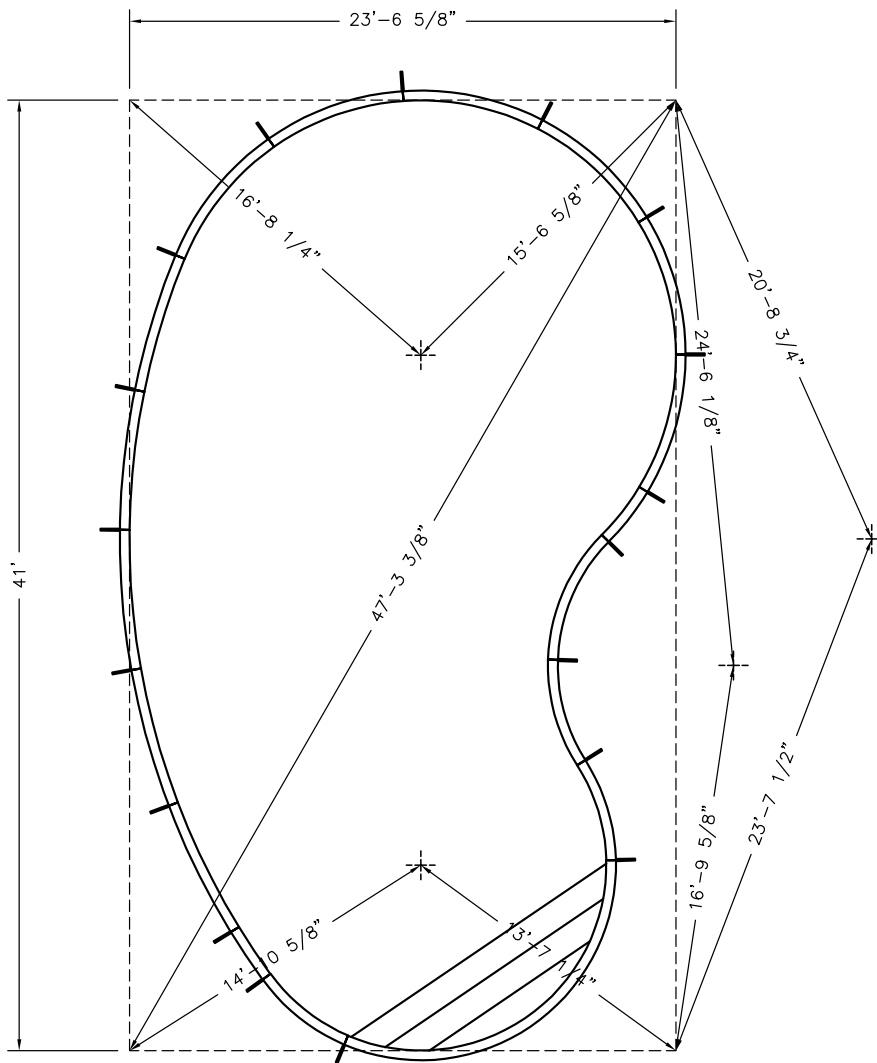
This information is the confidential property of Cardinal Systems, Inc. Disclosure or duplication without proper written approval is strictly prohibited. Acceptance and use of this drawing constitutes knowledge and acceptance by the user of the terms and conditions set forth in the notice and warning which accompanied this drawing is incorporated herein and made part hereof and is found on Cardinal Systems, Inc's website at www.CardinalSystemsInc.com




**Pool Size:** 22' X 41'  
**Pool Shape:** KIDNEY  
**Pool Number:** 2241KID (STEEL)

**Approx Gal:** 26,292

250 Route 61 South, Schuylkill Haven, PA 17972 • 570-385-4733 • fax: 570-385-1318 • CustomerService@CardinalSystemsinc.com



<b>Date:</b> 5/10/2022	<b>Perimeter:</b> 106'-9 5/8"	 cardinalpools.com
<b>Drawn By:</b> JESSE H	<b>Area:</b> 722.8 SQ. FT.	
<b>Scale:</b> 1/8" = 1'-0"	<b>Notes:</b> -----	

This information is the confidential property of Cardinal Systems, Inc. Disclosure or duplication without proper written approval is strictly prohibited. Acceptance and use of this drawing constitutes knowledge and acceptance by the user of the terms and conditions set forth in the notice and warning which accompanied this drawing is incorporated herein and made part hereof and is found on Cardinal Systems, Inc's website at www.CardinalSystemsInc.com





**Pool Size:** 22' X 41'

**Pool Shape:** KIDNEY

**Approx Gal:** 26,292

**Pool Number:** 2241KID (STEEL)

250 Route 61 South, Schuylkill Haven, PA 17972 • 570-385-4733 • fax: 570-385-1318 • CustomerService@CardinalSystemsinc.com

HOPPER DIG POINTS		E-H	16'	E-H2	25'-3 1/8"	G-H2	7'
POINTS	DISTANCE	F-G	21'	E-H3	22'-8 1/8"	G-H3	7'
		F-H	8'-1"	E-H4	16'-9 5/8"	G-H4	16'-4 7/8"
E-F	24'	G-H	19'	E-H5	9'-4 5/8"	G-H5	15'-5 1/2"
E-G	22'	E-H1	19'-8"	G-H1	7'		
PANEL TO HOPPER POINTS		1-H4	17'-0 3/4"	2-H5	24'-4 1/4"	4-H1	14'-4 5/8"
POINTS	DISTANCE	1-H5	17'-2 1/8"	3-H1	4'-8 5/8"	4-H2	24'-1 1/8"
		2-H1	17'-11 3/4"	3-H2	17'-7 1/4"	4-H3	17'-3 1/8"
1-H1	26'-6 7/8"	2-H2	4'-0 1/8"	3-H3	7'-4 3/8"	4-H4	20'-5"
1-H2	29'-0 7/8"	2-H3	17'-9 1/4"	3-H4	20'-5 1/2"	4-H5	3'-5 5/8"
1-H3	29'-6 1/8"	2-H4	15'-0 1/4"	3-H5	7'-0 5/8"		
PANEL TO PANEL POINTS		1-S2	15'-3 3/8"	2-T	23'-4"	4-C1	28'-9 3/4"
POINTS	DISTANCE	1-T	18'-1"	3-C1	19'-4 1/8"	4-C2	15'-11"
		2-C1	14'-0 7/8"	3-C2	24'-0 1/8"	4-I	16'-1 7/8"
1-C1	38'-5 1/2"	2-C2	32'-0 5/8"	3-I	23'-0 3/8"	4-J	17'-3 1/2"
1-C2	1'-2"	2-I	28'-11"	3-J	21'-7 3/8"	4-K	19'-3 1/4"
1-I	2'-5 1/4"	2-J	23'-5 1/4"	3-K	20'-8 1/4"	4-L	21'-9 5/8"
1-J	8'-5"	2-K	17'-9 1/8"	3-L	20'-4 3/8"	4-M	24'-7 7/8"
1-K	14'-3 3/4"	2-L	11'-11 1/8"	3-M	20'-8"	4-N	29'-8 5/8"
1-L	20'-1 1/8"	2-M	5'-11 7/8"	3-N	21'-11"	4-O	29'-7 1/2"
1-M	25'-8 1/4"	2-N	6'-2 1/4"	3-O	20'-7"	4-P	27'-6 1/8"
1-N	35'-8 1/4"	2-O	11'-7 3/4"	3-P	17'-8 3/4"	4-Q	23'-6 7/8"
1-O	38'-1 1/8"	2-P	16'-2 7/8"	3-Q	13'-6 7/8"	4-R	18'-2 5/8"
1-P	38'-2 7/8"	2-Q	19'-7 5/8"	3-R	8'-4 7/8"	4-S	12'-3 5/8"
1-Q	36'-1 1/8"	2-R	21'-7"	3-S	2'-7 3/8"	4-S1	15'-3 3/8"
1-R	31'-11 1/8"	2-S	21'-11 1/4"	3-S1	24'-2 5/8"	4-S2	4'-3 3/8"
1-S	26'-4 1/8"	2-S1	34'-3"	3-S2	14'-0 1/2"	4-T	4'-8 3/4"
1-S1	4'-3 3/8"	2-S2	31'-8 1/8"	3-T	5'-10 3/8"		
BOX POINTS		A-H5	31'-2 5/8"	B-S1	42'-9 1/8"	D-C1	43'-4 1/2"
POINTS	DISTANCE	A-S1	41'-5 3/8"	B-S2	32'-11 1/8"	D-C2	7'-2 7/8"
		A-S2	38'-8 3/8"	C-C1	41'-8 3/8"	D-E	14'-10 5/8"
A-B	23'-6 5/8"	B-C	41'	C-C2	16'-10 7/8"	D-F	38'-10 1/2"
A-C	47'-3 3/8"	B-C1	8'-9 1/4"	C-D	23'-6 5/8"	D-G	32'-6 1/4"
A-C1	14'-9 1/2"	B-C2	42'-0 5/8"	C-E	13'-7 1/4"	D-H	30'-10 5/8"
A-C2	39'-2 1/4"	B-D	47'-3 3/8"	C-F	23'-7 1/2"	D-H1	32'-7 1/8"
A-D	41'	B-E	34'-9 3/8"	C-G	31'-11 3/8"	D-H2	32'-11 1/4"
A-E	35'-3 3/4"	B-F	20'-8 3/4"	C-H	16'-9 5/8"	D-H3	35'-5 3/8"
A-F	37'-2 1/8"	B-G	15'-6 5/8"	C-H1	27'-1 3/8"	D-H4	19'-3 5/8"
A-G	16'-8 1/4"	B-H	24'-6 1/8"	C-H2	36'-10 1/4"	D-H5	23'-10 5/8"
A-H	35'-8 1/8"	B-H1	15'-1 3/8"	C-H3	29'-10 1/8"	D-S1	9'-5 3/8"
A-H1	23'-6 7/8"	B-H2	19'-6 7/8"	C-H4	30'-4 3/8"	D-S2	22'-1 5/8"
A-H2	10'-5 3/4"	B-H3	12'-1 3/8"	C-H5	16'-6"		
A-H3	22'-7 5/8"	B-H4	31'-11 1/4"	C-S1	14'-1 3/4"		
A-H4	21'-8 3/8"	B-H5	26'-0 1/8"	C-S2	8'-8 7/8"		

**Date:** 5/10/2022

**Perimeter:** 106'-9 5/8"

**Drawn By:** JESSE H

**Area:** 722.8 SQ. FT.

**Scale:** 1/8" = 1'-0"

**Notes:** - - - -



cardinalpools.com

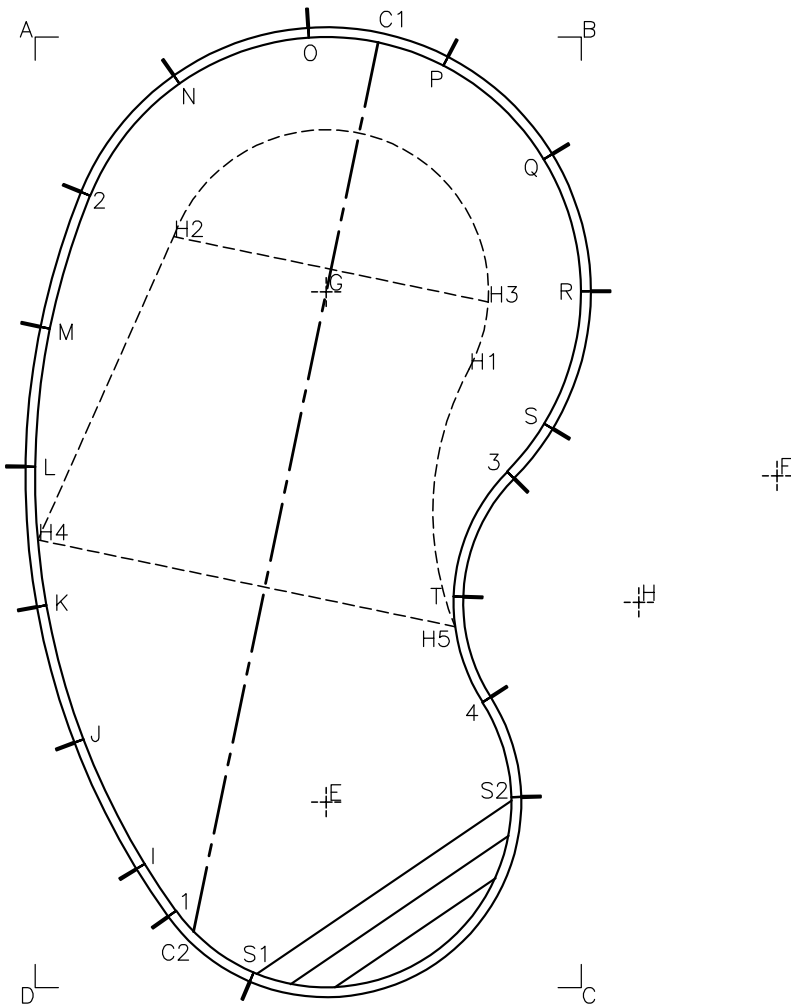
This information is the confidential property of Cardinal Systems, Inc. Disclosure or duplication without proper written approval is strictly prohibited. Acceptance and use of this drawing constitutes knowledge and acceptance by the user of the terms and conditions set forth in the notice and warning which accompanied this drawing is incorporated herein and made part hereof and is found on Cardinal Systems, Inc's website at www.CardinalSystemsInc.com



**Pool Size:** 22' X 41'  
**Pool Shape:** KIDNEY  
**Pool Number:** 2241KID (STEEL)

**Approx Gal:** 26,292

250 Route 61 South, Schuylkill Haven, PA 17972 • 570-385-4733 • fax: 570-385-1318 • CustomerService@CardinalSystemsinc.com



**Date:** 5/10/2022

**Perimeter:** 106'-9 5/8"

**Drawn By:** JESSE H

**Area:** 722.8 SQ. FT.

**Scale:** 1/8" = 1'-0"

**Notes:** - - - -



cardinalpools.com

This information is the confidential property of Cardinal Systems, Inc. Disclosure or duplication without proper written approval is strictly prohibited. Acceptance and use of this drawing constitutes knowledge and acceptance by the user of the terms and conditions set forth in the notice and warning which accompanied this drawing is incorporated herein and made part hereof and is found on Cardinal Systems, Inc's website at www.CardinalSystemsInc.com



**Pool Size:** 14' X 28'

**Pool Shape:** KIDNEY

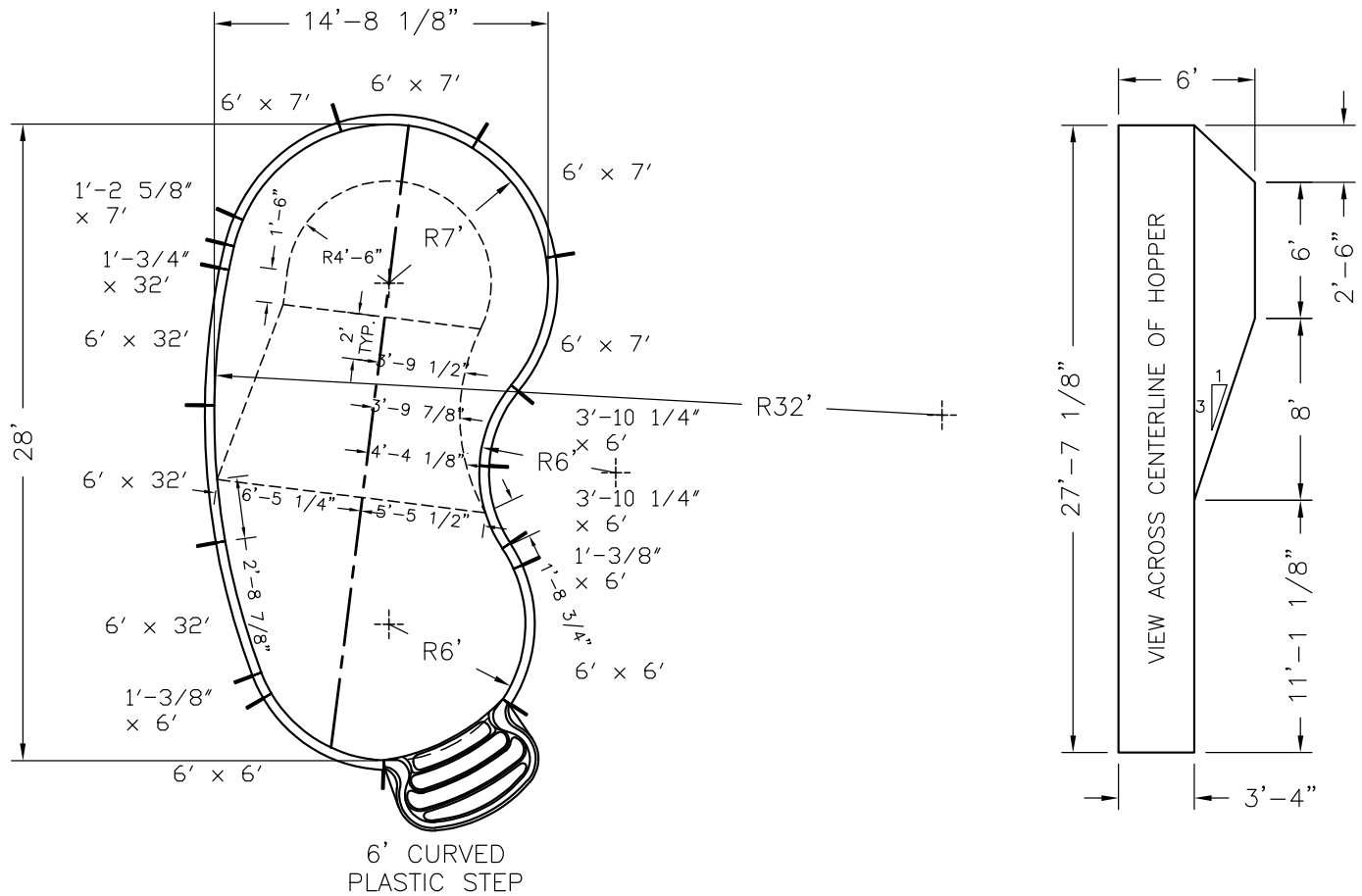
**Approx Gal:** 10,306

**Pool Number:** 1428KID (PLASTIC)


250 Route 61 South, Schuylkill Haven, PA 17972 • 570-385-4733 • fax: 570-385-1318 • CustomerService@CardinalSystemsinc.com

Bill of Materials

PART NO.	QUANTITY	DESCRIPTION
"A" FRAME	16	"A" FRAME ASSEMBLY
5C42103XX06000	2	1'-3/8" x 6' Radius C PANEL W/0 Z
5C42106XX32000	1	1'-3/4" x 32' Radius C PANEL W/0 Z
5C42125XX07000	1	1'-2 5/8" x 7' Radius C PANEL W/0 Z
5C42600XX06000	2	6' x 6' Radius C PANEL W/0 Z
5C42600XX07000	4	6' x 7' Radius C PANEL W/0 Z
5C42600XX32001	3	6' x 32' Radius C PANEL W/1 Z
5R423T2XX06000	2	3'-10 1/4" x 6' Radius R PANEL W/0 Z



NOTE: THIS IS A NON DIVING POOL.

<b>Date:</b> 5/11/2022	<b>Perimeter:</b> 72'-2 1/2"	 cardinalpools.com
<b>Drawn By:</b> AUSTIN K	<b>Area:</b> 323.3 SQ. FT.	
<b>Scale:</b> 1/8" = 1'-0"	<b>Notes:</b> - - - -	

This information is the confidential property of Cardinal Systems, Inc. Disclosure or duplication without proper written approval is strictly prohibited. Acceptance and use of this drawing constitutes knowledge and acceptance by the user of the terms and conditions set forth in the notice and warning which accompanied this drawing is incorporated herein and made part hereof and is found on Cardinal Systems, Inc's website at www.CardinalSystemsInc.com



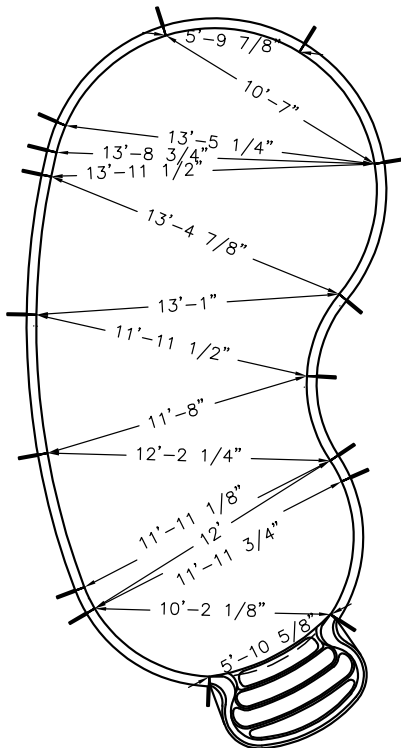
**Pool Size:** 14' X 28'

**Pool Shape:** KIDNEY

**Approx Gal:** 10,306

**Pool Number:** 1428KID (PLASTIC)

250 Route 61 South, Schuylkill Haven, PA 17972 • 570-385-4733 • fax: 570-385-1318 • CustomerService@CardinalSystemsinc.com



**Date:** 5/11/2022

**Perimeter:** 72'-2 1/2"

**Drawn By:** AUSTIN K

**Area:** 323.3 SQ. FT.

**Scale:** 1/8" = 1'-0"

**Notes:** -----



cardinalpools.com

This information is the confidential property of Cardinal Systems, Inc. Disclosure or duplication without proper written approval is strictly prohibited. Acceptance and use of this drawing constitutes knowledge and acceptance by the user of the terms and conditions set forth in the notice and warning which accompanied this drawing is incorporated herein and made part hereof and is found on Cardinal Systems, Inc's website at www.CardinalSystemsInc.com



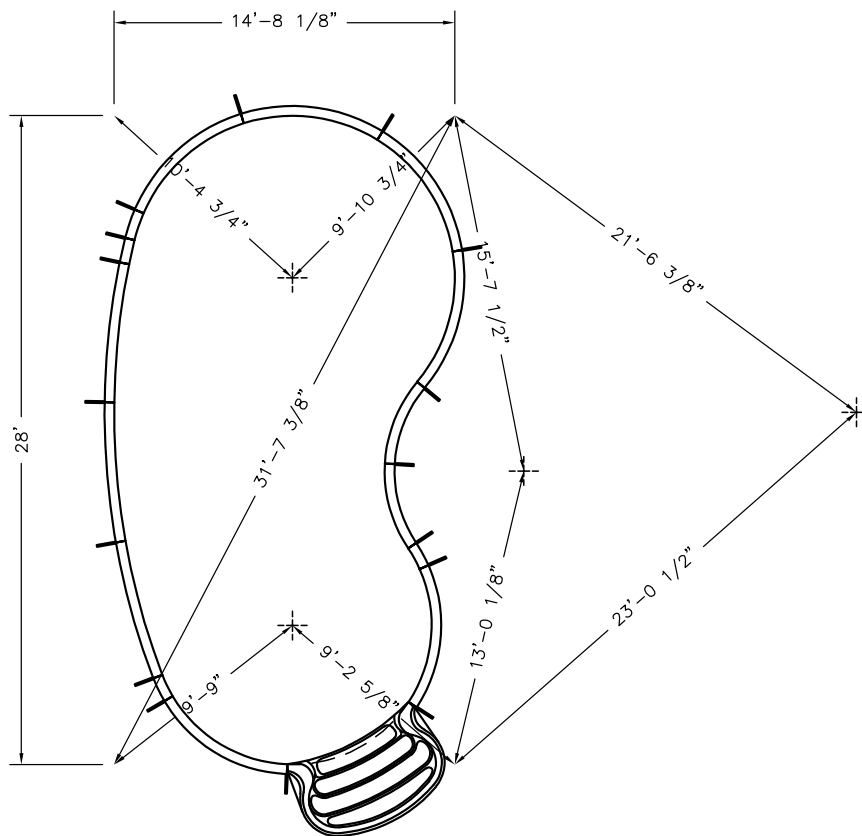
**Pool Size:** 14' X 28'

**Pool Shape:** KIDNEY

**Approx Gal:** 10,306

**Pool Number:** 1428KID (PLASTIC)

250 Route 61 South, Schuylkill Haven, PA 17972 • 570-385-4733 • fax: 570-385-1318 • CustomerService@CardinalSystemsinc.com



**Date:** 5/11/2022

**Perimeter:** 72'-2 1/2"

**Drawn By:** AUSTIN K

**Area:** 323.3 SQ. FT.

**Scale:** 1/8" = 1'-0"

**Notes:** - - - -



This information is the confidential property of Cardinal Systems, Inc. Disclosure or duplication without proper written approval is strictly prohibited. Acceptance and use of this drawing constitutes knowledge and acceptance by the user of the terms and conditions set forth in the notice and warning which accompanied this drawing is incorporated herein and made part hereof and is found on Cardinal Systems, Inc's website at www.CardinalSystemsInc.com



**Pool Size:** 14' X 28'

**Pool Shape:** KIDNEY

**Approx Gal:** 10,306

**Pool Number:** 1428KID (PLASTIC)


250 Route 61 South, Schuylkill Haven, PA 17972 • 570-385-4733 • fax: 570-385-1318 • CustomerService@CardinalSystemsinc.com

HOPPER DIG POINTS		F-G	25'	E-H3	14'-9 3/4"	G-H3	4'-8 7/8"
POINTS	DISTANCE	F-H	14'-6 3/4"	E-H4	6'-5 3/4"	G-H4	10'-11 1/2"
E-F	26'	G-H	13'	E-H5	9'-10 5/8"	G-H5	11'-5 5/8"
E-G	15'	E-H1	13'-7 1/8"	G-H1	4'-6"		
E-H	12'	E-H2	16'-2 1/4"	G-H2	4'-6"		

PANEL TO HOPPER POINTS		1-H4	12'-1 1/4"	2-H5	10'-3 3/8"	4-H1	9'-8 3/8"
POINTS	DISTANCE	1-H5	8'-8 1/2"	3-H1	2'-9 7/8"	4-H2	15'-5 3/8"
1-H1	17'-11 1/8"	2-H1	11'-5 1/8"	3-H2	11'-0 5/8"	4-H3	14'-5 1/8"
1-H2	17'-8 5/8"	2-H2	2'-6 7/8"	3-H3	10'-7 5/8"	4-H4	1'-8 3/4"
1-H3	16'-2 5/8"	2-H3	3'-4 1/8"	3-H4	5'-8 3/4"	4-H5	12'-10 7/8"
		2-H4	16'-1 3/8"	3-H5	13'-6 7/8"		

PANEL TO PANEL POINTS		1-S1	6'-7 5/8"	2-S2	23'-2"	4-C1	19'-0 3/4"
POINTS	DISTANCE	1-S2	10'-8 1/4"	3-C1	12'-3 1/2"	4-C2	11'-6 3/4"
1-C1	24'-11 1/8"	2-C1	9'-4"	3-C2	17'-9 5/8"	4-I	12'
1-C2	4'-6 1/8"	2-C2	22'-5 5/8"	3-I	17'-2 1/8"	4-J	12'-2 1/4"
1-I	1'-0 3/8"	2-I	19'-8 7/8"	3-J	14'-3 7/8"	4-K	14'-1 3/4"
1-J	5'-11 7/8"	2-J	12'-11 3/4"	3-K	13'-1"	4-L	17'-2"
1-K	11'-11 1/8"	2-K	7'-0 5/8"	3-L	13'-4 7/8"	4-M	18'-5"
1-L	17'-9 1/8"	2-L	1'-0 3/4"	3-M	13'-10 1/4"	4-N	19'-8"
1-M	19'-11 1/8"	2-M	1'-2 5/8"	3-N	13'-5 1/4"	4-O	17'-8 1/8"
1-N	24'-0 3/4"	2-N	6'-10 7/8"	3-O	10'-7"	4-P	12'-11 1/4"
1-O	24'-10 1/2"	2-O	11'-4 1/8"	3-P	5'-9 7/8"	4-Q	3'-9 1/2"
1-P	22'-1 1/2"	2-P	13'-8 3/4"	3-Q	3'-9 1/2"	4-R	1'-0 3/8"
1-Q	13'-2 3/4"	2-Q	14'-5 5/8"	3-R	8'-1"	4-S1	10'-8 1/4"
1-R	12'	2-R	18'-9 1/4"	3-S1	17'-5 1/8"	4-S2	6'-7 5/8"
		2-S1	23'-6 3/4"	3-S2	13'-9 7/8"		

BOX POINTS		A-H5	15'-7 5/8"	B-S1	28'-11"	D-C1	29'-2 3/4"
POINTS	DISTANCE	A-S1	28'-11 5/8"	B-S2	25'-4 1/2"	D-C2	5'-2"
A-B	14'-8 1/8"	A-S2	28'-3 5/8"	C-C1	28'-7 3/8"	D-E	9'-9"
A-C	31'-7 3/8"	B-C	28'	C-C2	9'-6 3/4"	D-F	35'-5 1/8"
A-C1	8'-6 1/2"	B-C1	6'-1 5/8"	C-D	14'-8 1/8"	D-G	22'-4 3/8"
A-C2	27'-11"	B-C2	29'-0 5/8"	C-E	9'-2 5/8"	D-H	21'-8 3/4"
A-D	28'	B-D	31'-7 3/8"	C-F	23'-0 1/2"	D-H1	22'-3 5/8"
A-E	23'-3 5/8"	B-E	23'-1"	C-G	22'-1 5/8"	D-H2	21'-9 1/2"
A-F	34'-5 5/8"	B-F	21'-6 3/8"	C-H	13'-0 1/8"	D-H3	20'-3 1/2"
A-G	10'-4 3/4"	B-G	9'-10 3/4"	C-H1	19'-2 5/8"	D-H4	16'-1 7/8"
A-H	23'-4 5/8"	B-H	15'-7 1/2"	C-H2	24'-5"	D-H5	12'-4 3/8"
A-H1	14'-9 1/4"	B-H1	9'-5 7/8"	C-H3	23'-2 1/2"	D-S1	7'-5 1/2"
A-H2	7'-2 3/8"	B-H2	13'-1 7/8"	C-H4	11'-2 7/8"	D-S2	12'-11 3/4"
A-H3	8'-5 7/8"	B-H3	14'-1 1/8"	C-H5	19'-1 1/4"		
A-H4	20'-10 1/4"	B-H4	17'-3 7/8"	C-S1	7'-2 3/4"		
		B-H5	21'-4 3/8"	C-S2	3'-4 1/4"		

<b>Date:</b> 5/11/2022	<b>Perimeter:</b> 72'-2 1/2"	 cardinalpools.com
<b>Drawn By:</b> AUSTIN K	<b>Area:</b> 323.3 SQ. FT.	
<b>Scale:</b> 1/8" = 1'-0"	<b>Notes:</b> - - - -	

This information is the confidential property of Cardinal Systems, Inc. Disclosure or duplication without proper written approval is strictly prohibited. Acceptance and use of this drawing constitutes knowledge and acceptance by the user of the terms and conditions set forth in the notice and warning which accompanied this drawing is incorporated herein and made part hereof and is found on Cardinal Systems, Inc's website at www.CardinalSystemsInc.com



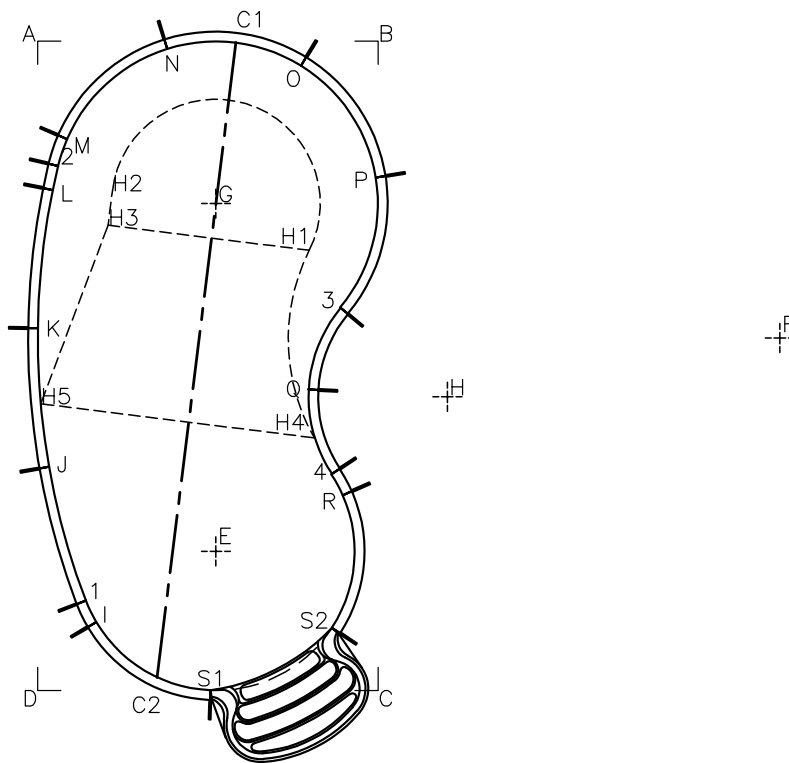
**Pool Size:** 14' X 28'

**Pool Shape:** KIDNEY

**Approx Gal:** 10,306

**Pool Number:** 1428KID (PLASTIC)

250 Route 61 South, Schuylkill Haven, PA 17972 • 570-385-4733 • fax: 570-385-1318 • CustomerService@CardinalSystemsInc.com



**Date:** 5/11/2022

**Perimeter:** 72'-2 1/2"

**Drawn By:** AUSTIN K

**Area:** 323.3 SQ. FT.

**Scale:** 1/8" = 1'-0"

**Notes:** - - - -



cardinalpools.com

This information is the confidential property of Cardinal Systems, Inc. Disclosure or duplication without proper written approval is strictly prohibited. Acceptance and use of this drawing constitutes knowledge and acceptance by the user of the terms and conditions set forth in the notice and warning which accompanied this drawing is incorporated herein and made part hereof and is found on Cardinal Systems, Inc's website at www.CardinalSystemsInc.com



**Pool Size:** 16' X 32'

**Pool Shape:** KIDNEY

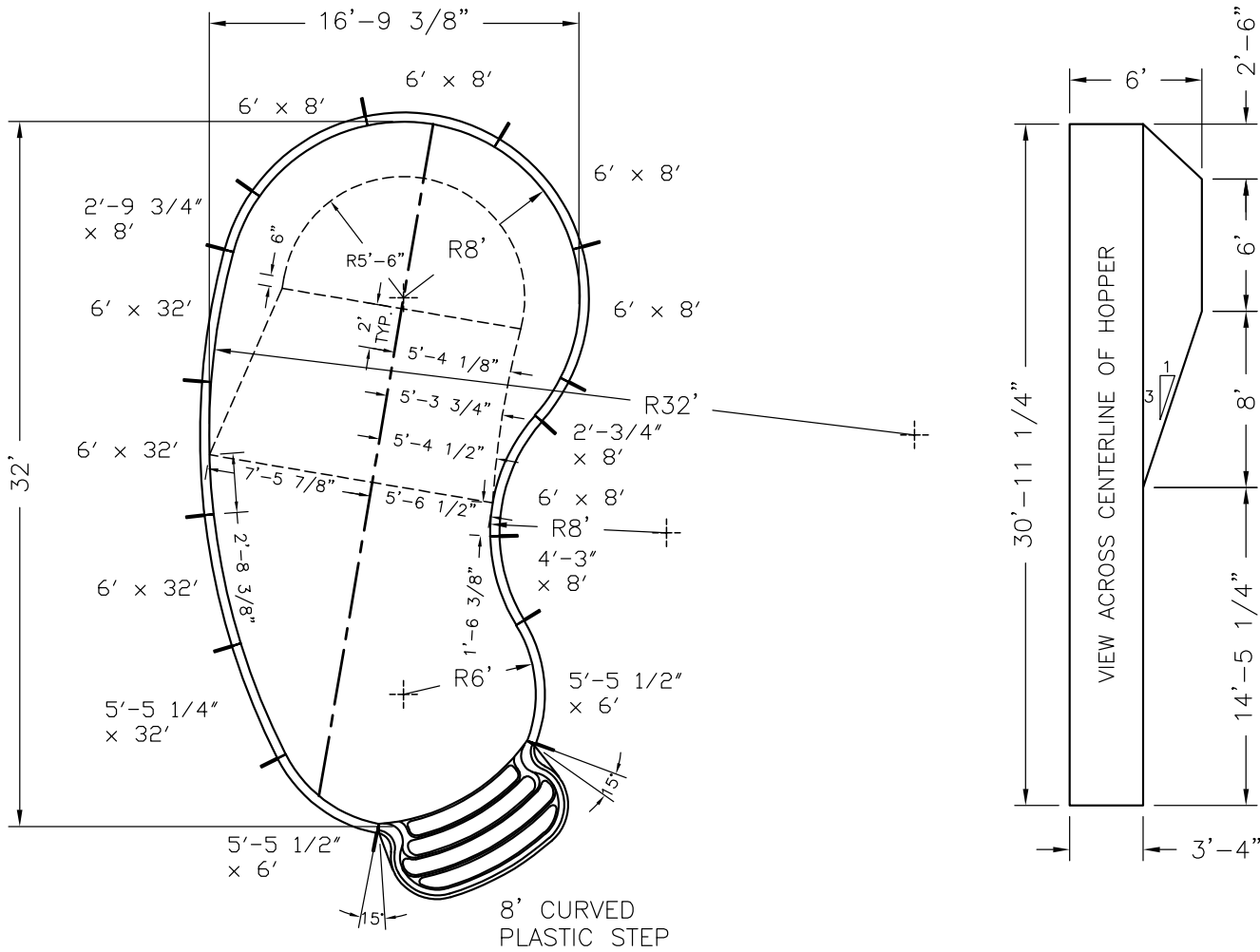
**Approx Gal:** 12,856

**Pool Number:** 1632KID (PLASTIC)


250 Route 61 South, Schuylkill Haven, PA 17972 • 570-385-4733 • fax: 570-385-1318 • CustomerService@CardinalSystemsinc.com

Bill of Materials

PART NO.	QUANTITY	DESCRIPTION
"A" FRAME	15	"A" FRAME ASSEMBLY
CS900GS-15	2	15° STEP ANGLE
5C42206XX08000	1	2'-3/4" x 8' Radius C PANEL W/O Z
5C42296XX08000	1	2'-9 3/4" x 8' Radius C PANEL W/O Z
5C42552XX32000	1	5'-5 1/4" x 32' Radius C PANEL W/O Z
5C42554XX06000	2	5'-5 1/2" x 6' Radius C PANEL W/O Z
5C42600XX08000	4	6' x 8' Radius C PANEL W/O Z
5C42600XX32001	3	6' x 32' Radius C PANEL W/1 Z
5R42430XX08000	1	4'-3" x 8' Radius R PANEL W/O Z
5R42600XX08000	1	6' x 8' Radius R PANEL W/O Z



NOTE: THIS IS A NON DIVING POOL.

<b>Date:</b> 5/10/2022	<b>Perimeter:</b> 81'-5 3/4"	 cardinalpools.com
<b>Drawn By:</b> JESSE H	<b>Area:</b> 403.3 SQ. FT.	
<b>Scale:</b> 1/8" = 1'-0"	<b>Notes:</b> -----	

This information is the confidential property of Cardinal Systems, Inc. Disclosure or duplication without proper written approval is strictly prohibited. Acceptance and use of this drawing constitutes knowledge and acceptance by the user of the terms and conditions set forth in the notice and warning which accompanied this drawing is incorporated herein and made part hereof and is found on Cardinal Systems, Inc's website at www.CardinalSystemsInc.com





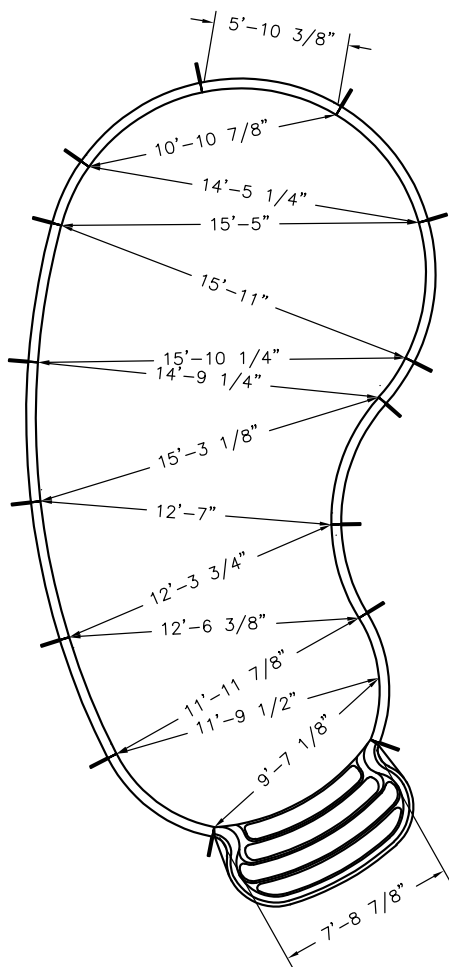
**Pool Size:** 16' X 32'

**Pool Shape:** KIDNEY

**Approx Gal:** 12,856

**Pool Number:** 1632KID (PLASTIC)

250 Route 61 South, Schuylkill Haven, PA 17972 • 570-385-4733 • fax: 570-385-1318 • CustomerService@CardinalSystemsinc.com



**Date:** 5/10/2022

**Perimeter:** 81'-5 3/4"

**Drawn By:** JESSE H

**Area:** 403.3 SQ. FT.

**Scale:** 1/8" = 1'-0"

**Notes:** - - - -



cardinalpools.com

This information is the confidential property of Cardinal Systems, Inc. Disclosure or duplication without proper written approval is strictly prohibited. Acceptance and use of this drawing constitutes knowledge and acceptance by the user of the terms and conditions set forth in the notice and warning which accompanied this drawing is incorporated herein and made part hereof and is found on Cardinal Systems, Inc's website at www.CardinalSystemsInc.com



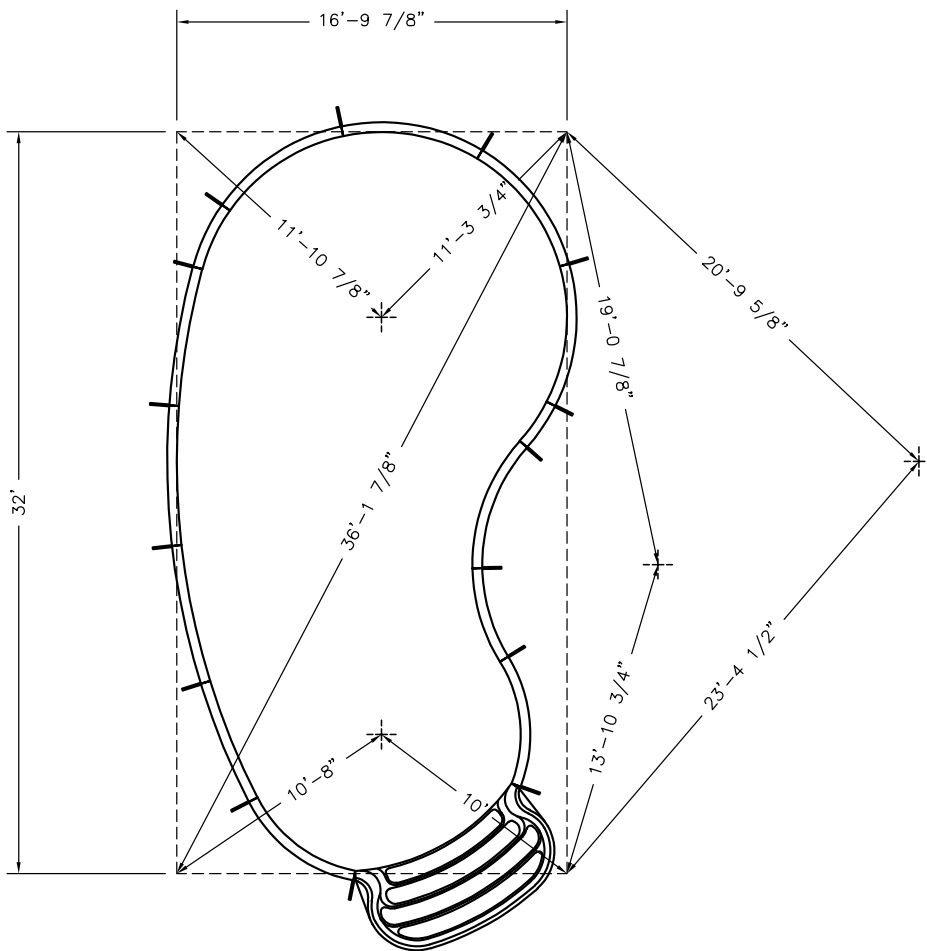
**Pool Size:** 16' X 32'

**Pool Shape:** KIDNEY

**Approx Gal:** 12,856

**Pool Number:** 1632KID (PLASTIC)

250 Route 61 South, Schuylkill Haven, PA 17972 • 570-385-4733 • fax: 570-385-1318 • CustomerService@CardinalSystemsinc.com



**Date:** 5/10/2022

**Perimeter:** 81'-5 3/4"

**Drawn By:** JESSE H

**Area:** 403.3 SQ. FT.

**Scale:** 1/8" = 1'-0"

**Notes:** -----



cardinalpools.com

This information is the confidential property of Cardinal Systems, Inc. Disclosure or duplication without proper written approval is strictly prohibited. Acceptance and use of this drawing constitutes knowledge and acceptance by the user of the terms and conditions set forth in the notice and warning which accompanied this drawing is incorporated herein and made part hereof and is found on Cardinal Systems, Inc's website at www.CardinalSystemsInc.com



**Pool Size:** 16' X 32'

**Pool Shape:** KIDNEY

**Approx Gal:** 12,856

**Pool Number:** 1632KID (PLASTIC)

250 Route 61 South, Schuylkill Haven, PA 17972 • 570-385-4733 • fax: 570-385-1318 • CustomerService@CardinalSystemsinc.com

HOPPER DIG POINTS		E-H	14'	E-H2	19'-8 1/8"	G-H2	5'-6"
POINTS	DISTANCE	F-G	24'	E-H3	19'-2 3/4"	G-H3	5'-6 1/4"
		F-H	12'-1 1/4"	E-H4	13'-11 7/8"	G-H4	11'-4"
E-F	26'	G-H	16'	E-H5	9'-7"	G-H5	10'-1 3/4"
E-G	18'	E-H1	17'-5 1/8"	G-H1	5'-6"		
PANEL TO HOPPER POINTS		1-H4	14'-0 1/4"	2-H5	16'-4 1/2"	4-H1	13'-5 3/8"
POINTS	DISTANCE	1-H5	14'-9 3/8"	3-H1	3'-11 3/4"	4-H2	18'-11 5/8"
		2-H1	13'-6"	3-H2	12'-11 7/8"	4-H3	18'-7 3/8"
1-H1	22'-0 3/4"	2-H2	2'-6 7/8"	3-H3	12'-10"	4-H4	15'-11"
1-H2	21'-7 5/8"	2-H3	2'-9 1/8"	3-H4	14'-10 1/2"	4-H5	5'-7 7/8"
1-H3	21'-1 3/4"	2-H4	9'-3 1/8"	3-H5	4'-5"		
PANEL TO PANEL POINTS		1-S1	5'-3 1/4"	2-S2	25'-10 5/8"	4-C1	23'-0 5/8"
POINTS	DISTANCE	1-S2	10'-11 3/4"	3-C1	14'-0 1/8"	4-C2	11'-10 1/8"
		2-C1	10'-9 1/4"	3-C2	19'-10 3/8"	4-I	12'-6 3/8"
1-C1	29'-4 1/2"	2-C2	24'-11 7/8"	3-I	16'-10 3/4"	4-J	14'-7 1/2"
1-C2	2'-5 1/8"	2-I	17'-9 1/8"	3-J	15'-3 1/8"	4-K	17'-8 3/8"
1-I	5'-5 1/8"	2-J	11'-11 1/8"	3-K	14'-9 1/4"	4-L	22'-8 1/4"
1-J	11'-4 1/2"	2-K	5'-11 7/8"	3-L	15'-11 5/8"	4-M	23'-8"
1-K	17'-2 5/8"	2-L	2'-9 5/8"	3-M	15'-2 3/8"	4-N	21'-8 3/4"
1-L	25'-4 1/4"	2-M	8'-4 1/2"	3-N	12'-3 7/8"	4-O	17'-3"
1-M	28'-9 1/2"	2-N	12'-9 3/8"	3-O	7'-8 5/8"	4-P	11'-4 3/4"
1-N	29'-1 7/8"	2-P	15'-5"	3-P	2'-0 5/8"	4-Q	4'-2 3/8"
1-O	26'-4 3/8"	2-Q	15'-11"	3-Q	5'-10 3/8"	4-S1	10'-11 3/4"
1-P	21'-1 3/4"	2-R	17'-4 5/8"	3-S1	19'-10 3/8"	4-S2	5'-3 1/4"
1-Q	13'-6 3/4"	2-S1	26'-9 1/2"	3-S2	14'-9 3/8"		
BOX POINTS		A-H5	21'-6 3/4"	B-S1	33'-2 1/8"	D-C1	33'-5 5/8"
POINTS	DISTANCE	A-S1	32'-9 5/8"	B-S2	28'-2 1/2"	D-C2	5'-2 1/8"
		A-S2	31'-7 1/4"	C-C1	32'-6 7/8"	D-E	10'-8"
A-B	16'-9 7/8"	B-C	32'	C-C2	11'-11"	D-F	36'-7 1/4"
A-C	36'-1 7/8"	B-C1	6'-8"	C-D	16'-9 7/8"	D-G	25'-6 7/8"
A-C1	10'-1 7/8"	B-C2	32'-9 7/8"	C-E	10'	D-H	24'-7 7/8"
A-C2	31'-0 1/4"	B-D	36'-1 7/8"	C-F	23'-4 1/2"	D-H1	26'-7 3/4"
A-D	32'	B-E	27'-2 3/8"	C-G	25'-3 5/8"	D-H2	25'-1 3/4"
A-E	27'-5 1/2"	B-F	20'-9 5/8"	C-H	13'-10 3/4"	D-H3	24'-7 3/4"
A-F	35'-0 1/4"	B-G	11'-3 3/4"	C-H1	22'-9"	D-H4	16'-10 1/2"
A-G	11'-10 7/8"	B-H	19'-0 7/8"	C-H2	28'-3 5/8"	D-H5	19'-6 3/8"
A-H	27'-10 7/8"	B-H1	9'-9 3/8"	C-H3	27'-11"	D-S1	7'-8 1/4"
A-H1	16'-11 3/4"	B-H2	15'-2 1/8"	C-H4	23'-9 3/4"	D-S2	14'-11 3/8"
A-H2	7'-10 1/4"	B-H3	15'-5 7/8"	C-H5	15'-2 5/8"		
A-H3	8'-3 1/4"	B-H4	22'-7 3/8"	C-S1	9'-1 5/8"		
A-H4	15'-1 1/2"	B-H5	17'-9"	C-S2	4'-6 3/4"		

**Date:** 5/10/2022

**Perimeter:** 81'-5 3/4"

**Drawn By:** JESSE H

**Area:** 403.3 SQ. FT.

**Scale:** 1/8" = 1'-0"

**Notes:** - - - -



cardinalpools.com

This information is the confidential property of Cardinal Systems, Inc. Disclosure or duplication without proper written approval is strictly prohibited. Acceptance and use of this drawing constitutes knowledge and acceptance by the user of the terms and conditions set forth in the notice and warning which accompanied this drawing is incorporated herein and made part hereof and is found on Cardinal Systems, Inc's website at www.CardinalSystemsInc.com



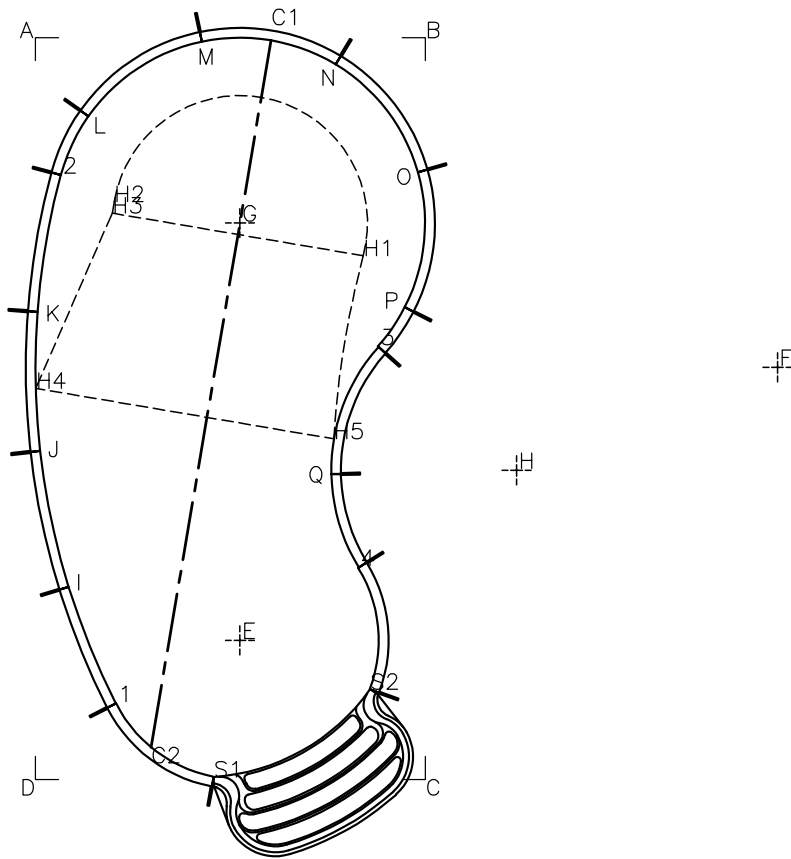
**Pool Size:** 16' X 32'


**Pool Shape:** KIDNEY

**Approx Gal:** 12,856

**Pool Number:** 1632KID (PLASTIC)

250 Route 61 South, Schuylkill Haven, PA 17972 • 570-385-4733 • fax: 570-385-1318 • CustomerService@CardinalSystemsinc.com



<b>Date:</b> 5/10/2022	<b>Perimeter:</b> 81' - 5 3/4"	 cardinalpools.com
<b>Drawn By:</b> JESSE H	<b>Area:</b> 403.3 SQ. FT.	
<b>Scale:</b> 1/8" = 1'-0"	<b>Notes:</b> - - - -	

This information is the confidential property of Cardinal Systems, Inc. Disclosure or duplication without proper written approval is strictly prohibited. Acceptance and use of this drawing constitutes knowledge and acceptance by the user of the terms and conditions set forth in the notice and warning which accompanied this drawing is incorporated herein and made part hereof and is found on Cardinal Systems, Inc's website at www.CardinalSystemsInc.com



**Pool Size:** 16' X 34'

**Pool Shape:** KIDNEY

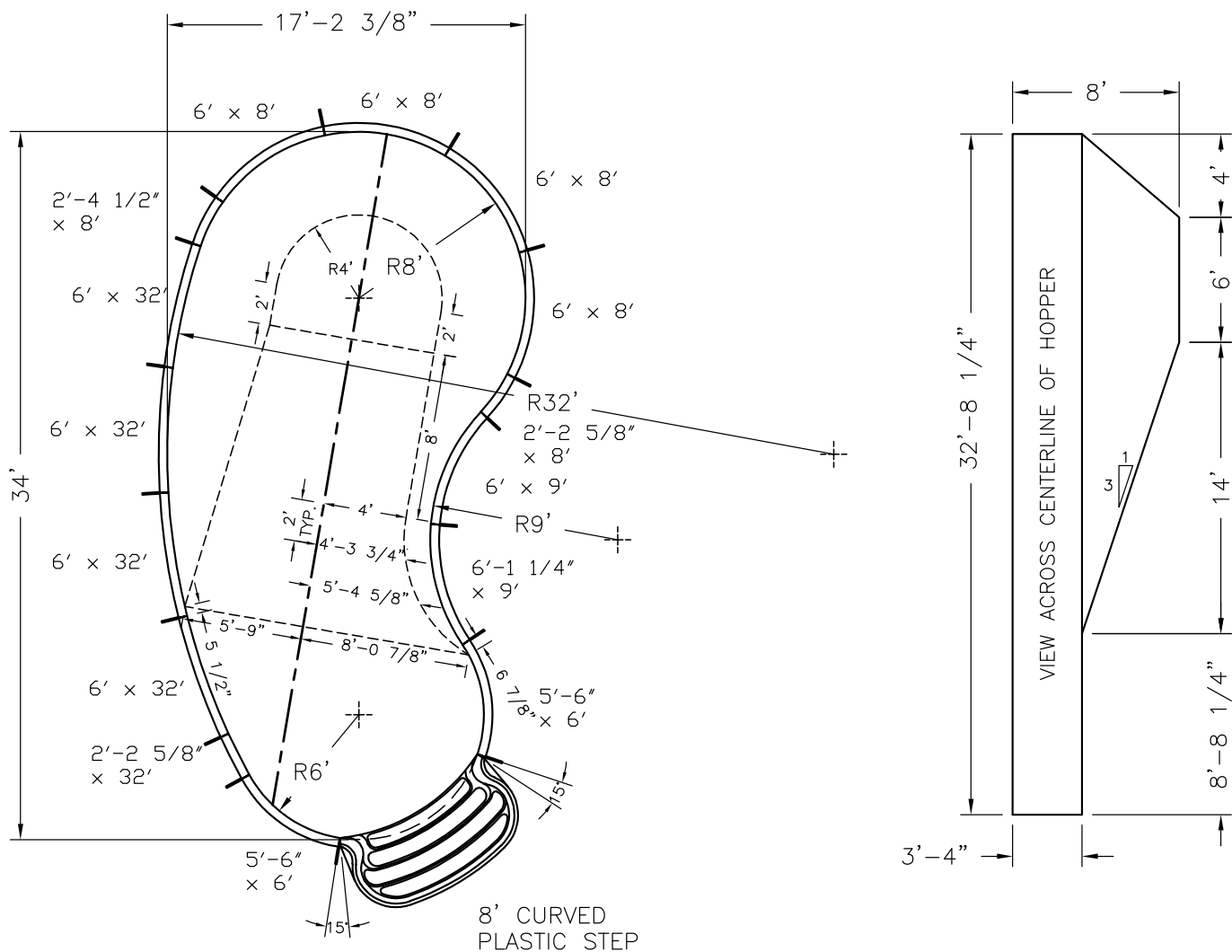
**Approx Gal:** 15,678

**Pool Number:** 1634KID (PLASTIC)

250 Route 61 South, Schuylkill Haven, PA 17972 • 570-385-4733 • fax: 570-385-1318 • CustomerService@CardinalSystemsinc.com

Bill of Materials

PART NO.	QUANTITY	DESCRIPTION
"A" FRAME	16	"A" FRAME ASSEMBLY
CS900GS-15	2	15° STEP ANGLE
5C42225XX08000	1	2'-2 5/8" x 8' Radius C PANEL W/O Z
5C42225XX32000	1	2'-2 5/8" x 32' Radius C PANEL W/O Z
5C42244XX08000	1	2'-4 1/2" x 8' Radius C PANEL W/O Z
5C42560XX06000	2	5'-6" x 6' Radius C PANEL W/O Z
5C42600XX08000	4	6' x 8' Radius C PANEL W/O Z
5C42600XX32001	4	6' x 32' Radius C PANEL W/O Z
5R42600XX09000	1	6' x 9' Radius R PANEL W/O Z
5R42612XX09000	1	6'-1 1/4" x 9' Radius R PANEL W/O Z



**Date:** 5/10/2022

**Perimeter:** 85'-11"

**Drawn By:** JESSE H

**Area:** 431.0 SQ. FT.

**Scale:** 1/8" = 1'-0"

**Notes:** - - - -



cardinalpools.com

This information is the confidential property of Cardinal Systems, Inc. Disclosure or duplication without proper written approval is strictly prohibited. Acceptance and use of this drawing constitutes knowledge and acceptance by the user of the terms and conditions set forth in the notice and warning which accompanied this drawing is incorporated herein and made part hereof and is found on Cardinal Systems, Inc's website at www.CardinalSystemsInc.com



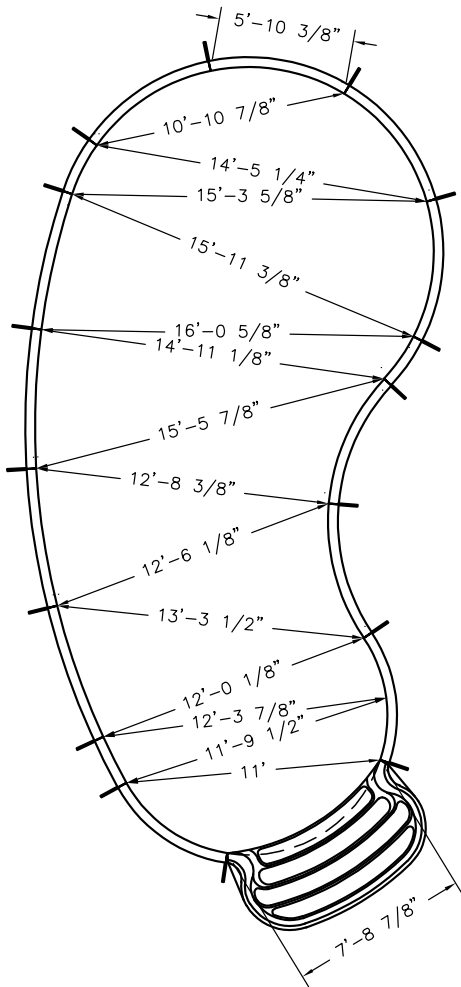
**Pool Size:** 16' X 34'

**Pool Shape:** KIDNEY

**Approx Gal:** 15,678

**Pool Number:** 1634KID (PLASTIC)

250 Route 61 South, Schuylkill Haven, PA 17972 • 570-385-4733 • fax: 570-385-1318 • CustomerService@CardinalSystemsinc.com



**Date:** 5/10/2022

**Perimeter:** 85'-11"

**Drawn By:** JESSE H

**Area:** 431.0 SQ. FT.

**Scale:** 1/8" = 1'-0"

**Notes:** -----



cardinalpools.com

This information is the confidential property of Cardinal Systems, Inc. Disclosure or duplication without proper written approval is strictly prohibited. Acceptance and use of this drawing constitutes knowledge and acceptance by the user of the terms and conditions set forth in the notice and warning which accompanied this drawing is incorporated herein and made part hereof and is found on Cardinal Systems, Inc's website at www.CardinalSystemsInc.com



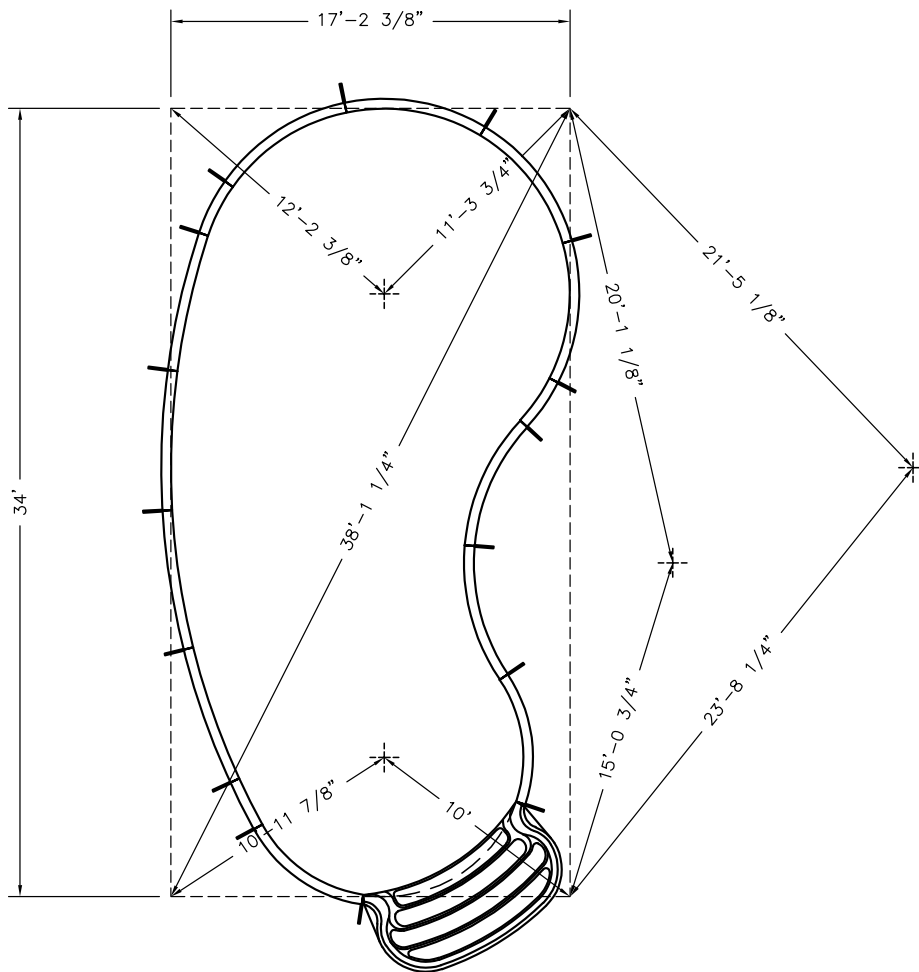
**Pool Size:** 16' X 34'

**Pool Shape:** KIDNEY

**Pool Number:** 1634KID (PLASTIC)

**Approx Gal:** 15,678

250 Route 61 South, Schuylkill Haven, PA 17972 • 570-385-4733 • fax: 570-385-1318 • CustomerService@CardinalSystemsinc.com



**Date:** 5/10/2022

**Perimeter:** 85'-11"

**Drawn By:** JESSE H

**Area:** 431.0 SQ. FT.

**Scale:** 1/8" = 1'-0"

**Notes:** - - - -



This information is the confidential property of Cardinal Systems, Inc. Disclosure or duplication without proper written approval is strictly prohibited. Acceptance and use of this drawing constitutes knowledge and acceptance by the user of the terms and conditions set forth in the notice and warning which accompanied this drawing is incorporated herein and made part hereof and is found on Cardinal Systems, Inc's website at www.CardinalSystemsInc.com



**Pool Size:** 16' X 34'

**Pool Shape:** KIDNEY

**Approx Gal:** 15,678

**Pool Number:** 1634KID (PLASTIC)

250 Route 61 South, Schuylkill Haven, PA 17972 • 570-385-4733 • fax: 570-385-1318 • CustomerService@CardinalSystemsinc.com

HOPPER DIG POINTS		F-G	24'	E-H4	19'-2 1/4"	G-H3	4'-5 5/8"
POINTS	DISTANCE	F-H	11'-1 7/8"	E-H5	6'	G-H4	4'-5 5/8"
		G-H	17'	E-H6	9'-10 1/8"	G-H5	17'-11"
E-F	26'	E-H1	19'-8 3/4"	E-H7	9'-8 7/8"	G-H6	17'
E-G	20'	E-H2	21'-0 1/2"	G-H1	4'	G-H7	10'-9 1/4"
E-H	15'	E-H3	17'-8 3/4"	G-H2	4'		
PANEL TO HOPPER POINTS		1-H6	8'-7 7/8"	2-H7	16'-4 1/8"	4-H1	16'
POINTS	DISTANCE	1-H7	14'-5 5/8"	3-H1	5'-1 7/8"	4-H2	19'-5 5/8"
		2-H1	11'-11 5/8"	3-H2	11'-6 5/8"	4-H3	14'-0 3/4"
1-H1	24'-0 1/2"	2-H2	4'-1"	3-H3	3'-7 1/8"	4-H4	17'-11"
1-H2	23'-7 1/8"	2-H3	12'-4"	3-H4	10'-11 3/8"	4-H5	6 7/8"
1-H3	22'-1 1/8"	2-H4	5'-0 1/2"	3-H5	11'-8 1/4"	4-H6	13'-5 1/2"
1-H4	21'-7 1/4"	2-H5	23'-5 5/8"	3-H6	17'	4-H7	6'-8 1/4"
1-H5	12'	2-H6	17'-3 7/8"	3-H7	6'-2 1/2"		
PANEL TO PANEL POINTS		1-S1	5'-3 3/4"	2-S2	27'-9 3/8"	4-C1	24'-9 1/2"
POINTS	DISTANCE	1-S2	11'	3-C1	14'-1"	4-C2	11'-11 1/8"
		2-C1	10'-5 1/4"	3-C2	21'-4 1/4"	4-I	12'-0 1/8"
1-C1	31'-5 5/8"	2-C2	27'-0 5/8"	3-I	19'-7 1/2"	4-J	13'-3 1/2"
1-C2	1'-9 7/8"	2-I	23'-5 1/4"	3-J	17'-2"	4-K	15'-10 7/8"
1-I	2'-2 5/8"	2-J	17'-9 1/8"	3-K	15'-5 7/8"	4-L	19'-2 7/8"
1-J	8'-2 3/8"	2-K	11'-11 1/8"	3-L	14'-11 1/8"	4-M	24'-2"
1-K	14'-1 1/4"	2-L	5'-11 7/8"	3-M	15'-11 1/2"	4-N	25'-4 1/8"
1-L	19'-10 5/8"	2-M	2'-4 3/8"	3-N	15'-3"	4-O	23'-6"
1-M	27'-6 3/8"	2-N	8'	3-O	12'-5 1/8"	4-P	19'-0 1/4"
1-N	30'-11 1/8"	2-O	12'-6 1/4"	3-P	7'-10 3/8"	4-Q	13'-2"
1-O	31'-2 1/8"	2-P	15'-3 5/8"	3-Q	2'-2 5/8"	4-R	5'-11 7/8"
1-P	28'-2 5/8"	2-Q	15'-11 3/8"	3-R	5'-10 5/8"	4-S1	11'
1-Q	22'-10 1/2"	2-R	17'-4"	3-S1	21'-6 3/4"	4-S2	5'-3 3/4"
1-R	14'-10 3/8"	2-S1	29'-2 1/2"	3-S2	16'-5 1/4"		
BOX POINTS		A-H7	21'-9 1/2"	B-S1	35'-1"	D-C1	35'-5 7/8"
POINTS	DISTANCE	A-S1	34'-11 1/8"	B-S2	29'-11 7/8"	D-C2	5'-3 7/8"
		A-S2	33'-4 7/8"	C-C1	34'-6 3/8"	D-E	10'-11 7/8"
A-B	17'-2 3/8"	B-C	34'	C-C2	12'-3 1/8"	D-F	36'-11 1/2"
A-C	38'-1 1/4"	B-C1	6'-7 7/8"	C-D	17'-2 3/8"	D-G	27'-7"
A-C1	10'-6 5/8"	B-C2	34'-6 1/2"	C-E	10'	D-H	25'-11 7/8"
A-C2	32'-8 3/4"	B-D	38'-1 1/4"	C-F	23'-8 1/4"	D-H1	28'-6 3/8"
A-D	34'	B-E	29'-1 1/2"	C-G	27'-2 3/8"	D-H2	27'-2 1/4"
A-E	29'-5 5/8"	B-F	21'-5 1/8"	C-H	15'-0 3/4"	D-H3	26'-7 5/8"
A-F	35'-6 5/8"	B-G	11'-3 3/4"	C-H1	25'-7 3/4"	D-H4	25'-2 1/4"
A-G	12'-2 3/8"	B-H	20'-1 1/8"	C-H2	29'-2 3/4"	D-H5	16'-11 5/8"
A-H	29'-2 1/4"	B-H1	9'-6 7/8"	C-H3	23'-9 1/8"	D-H6	11'-2 3/4"
A-H1	15'-9"	B-H2	14'-0 1/8"	C-H4	27'-7"	D-H7	19'-3"
A-H2	9'-0 1/4"	B-H3	11'-6 1/8"	C-H5	9'-3 3/8"	D-S1	8'-3 1/2"
A-H3	16'-7 7/8"	B-H4	15'-4 7/8"	C-H6	19'-9 7/8"	D-S2	15'-5 3/8"
A-H4	10'-6 1/4"	B-H5	25'-3 3/8"	C-H7	16'-6"		
A-H5	29'	B-H6	28'-0 3/4"	C-S1	8'-11"		
A-H6	22'-9 7/8"	B-H7	19'-4 3/4"	C-S2	4'-8 1/2"		

**Date:** 5/10/2022

**Perimeter:** 85'-11"

**Drawn By:** JESSE H

**Area:** 431.0 SQ. FT.

**Scale:** 1/8" = 1'-0"

**Notes:** - - - -



cardinalpools.com

This information is the confidential property of Cardinal Systems, Inc. Disclosure or duplication without proper written approval is strictly prohibited. Acceptance and use of this drawing constitutes knowledge and acceptance by the user of the terms and conditions set forth in the notice and warning which accompanied this drawing is incorporated herein and made part hereof and is found on Cardinal Systems, Inc's website at [www.CardinalSystemsInc.com](http://www.CardinalSystemsInc.com)





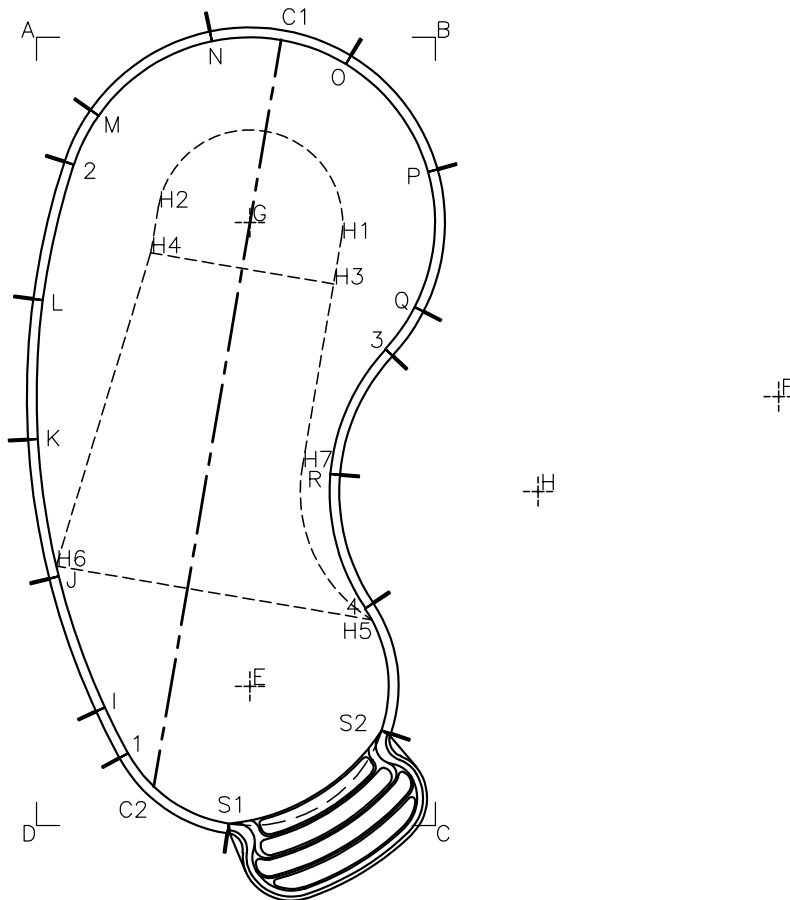
**Pool Size:** 16' X 34'

**Pool Shape:** KIDNEY

**Pool Number:** 1634KID (PLASTIC)

**Approx Gal:** 15,678

250 Route 61 South, Schuylkill Haven, PA 17972 • 570-385-4733 • fax: 570-385-1318 • CustomerService@CardinalSystemsinc.com



**Date:** 5/10/2022

**Perimeter:** 85'-11"

**Drawn By:** JESSE H

**Area:** 431.0 SQ. FT.

**Scale:** 1/8" = 1'-0"

**Notes:** - - - -



cardinalpools.com

This information is the confidential property of Cardinal Systems, Inc. Disclosure or duplication without proper written approval is strictly prohibited. Acceptance and use of this drawing constitutes knowledge and acceptance by the user of the terms and conditions set forth in the notice and warning which accompanied this drawing is incorporated herein and made part hereof and is found on Cardinal Systems, Inc's website at www.CardinalSystemsInc.com



**Pool Size:** 16' X 36'

**Pool Shape:** KIDNEY

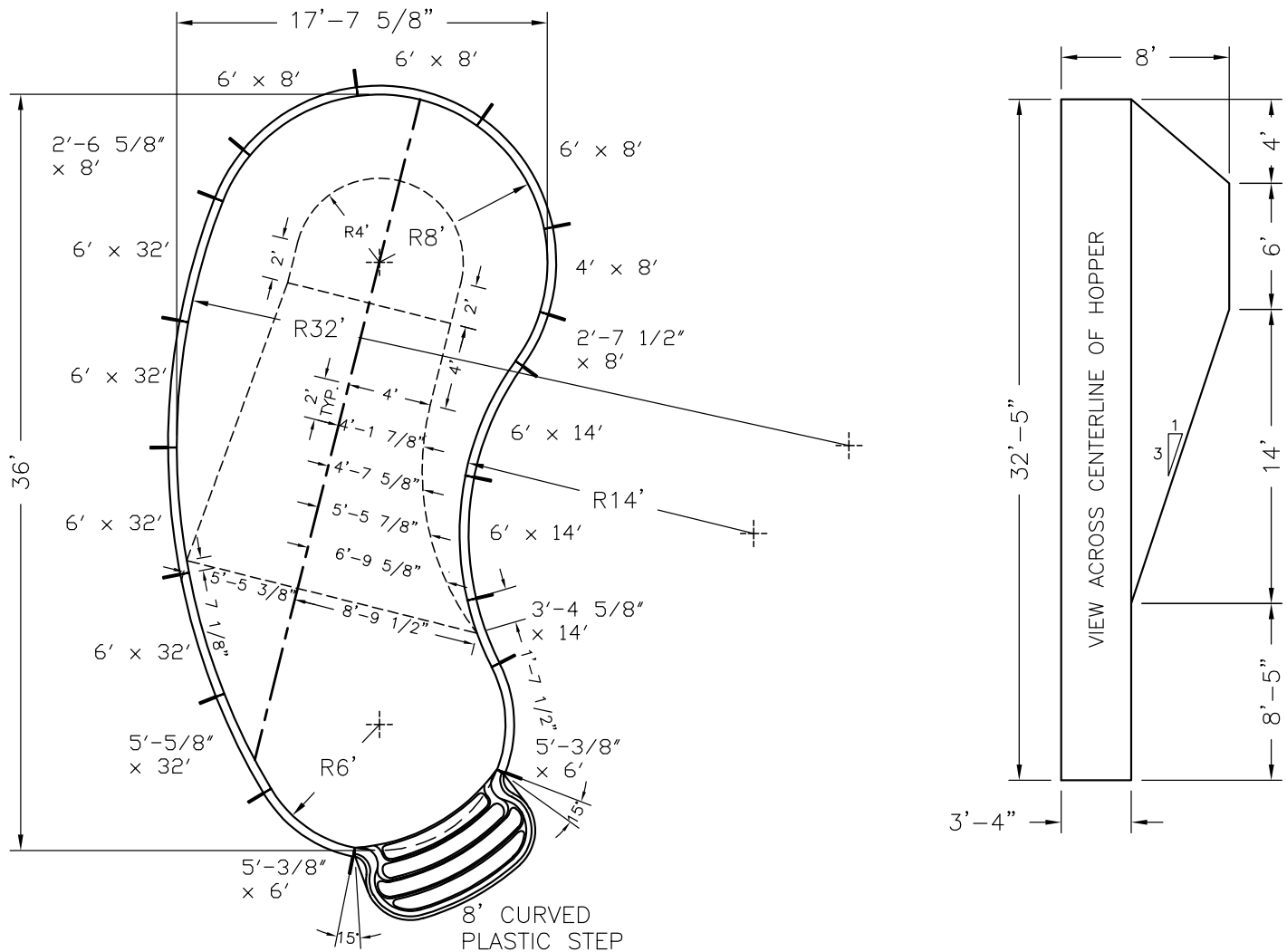
**Approx Gal:** 17,035


**Pool Number:** 1636KID (PLASTIC)

250 Route 61 South, Schuylkill Haven, PA 17972 • 570-385-4733 • fax: 570-385-1318 • CustomerService@CardinalSystemsinc.com

Bill of Materials

PART NO.	QUANTITY	DESCRIPTION
"A" FRAME	17	"A" FRAME ASSEMBLY
CS900GS-15	2	15° STEP ANGLE
5C42265XX08000	1	2'-6 5/8" x 8' Radius C PANEL W/0 Z
5C42274XX08000	1	2'-7 1/2" x 8' Radius C PANEL W/0 Z
5C42400XX08000	1	4' x 8' Radius C PANEL W/0 Z
5C42503XX06000	2	5'-3/8" x 6' Radius C PANEL W/0 Z
5C42505XX32000	1	5'-5/8" x 32' Radius C PANEL W/0 Z
5C42600XX08000	3	6' x 8' Radius C PANEL W/0 Z
5C42600XX32001	4	6' x 32' Radius C PANEL W/1 Z
5R42345XX14000	1	3'-4 5/8" x 14' Radius R PANEL W/0 Z
5R42600XX14000	2	6' x 14' Radius R PANEL W/0 Z



<b>Date:</b> 5/10/2022	<b>Perimeter:</b> 89'-8"	 <small>cardinalpools.com</small>
<b>Drawn By:</b> JESSE H	<b>Area:</b> 468.3 SQ. FT.	
<b>Scale:</b> 1/8" = 1'-0"	<b>Notes:</b> -----	

This information is the confidential property of Cardinal Systems, Inc. Disclosure or duplication without proper written approval is strictly prohibited. Acceptance and use of this drawing constitutes knowledge and acceptance by the user of the terms and conditions set forth in the notice and warning which accompanied this drawing is incorporated herein and made part hereof and is found on Cardinal Systems, Inc's website at www.CardinalSystemsInc.com



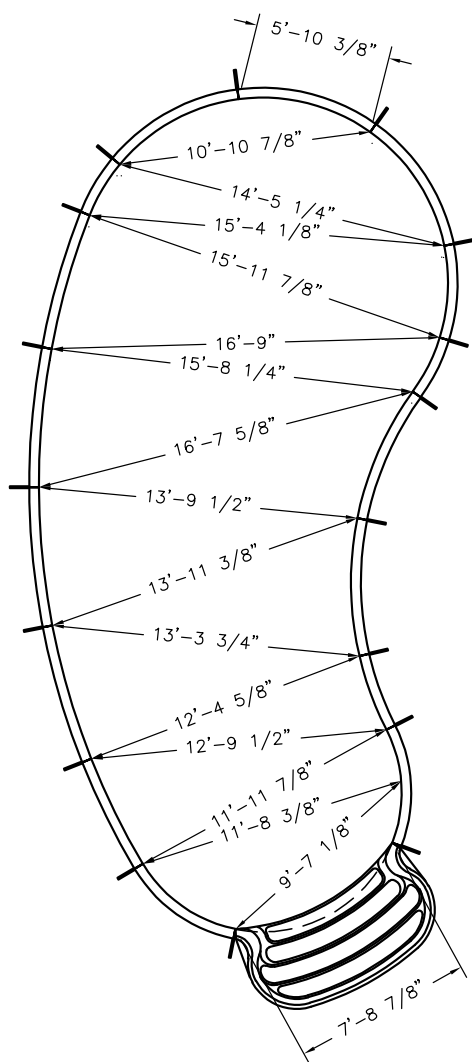
**Pool Size:** 16' X 36'

**Pool Shape:** KIDNEY

**Approx Gal:** 17,035

**Pool Number:** 1636KID (PLASTIC)

250 Route 61 South, Schuylkill Haven, PA 17972 • 570-385-4733 • fax: 570-385-1318 • CustomerService@CardinalSystemsinc.com



**Date:** 5/10/2022

**Perimeter:** 89'-8"

**Drawn By:** JESSE H

**Area:** 468.3 SQ. FT.

**Scale:** 1/8" = 1'-0"

**Notes:** - - - -



cardinalpools.com

This information is the confidential property of Cardinal Systems, Inc. Disclosure or duplication without proper written approval is strictly prohibited. Acceptance and use of this drawing constitutes knowledge and acceptance by the user of the terms and conditions set forth in the notice and warning which accompanied this drawing is incorporated herein and made part hereof and is found on Cardinal Systems, Inc's website at www.CardinalSystemsInc.com



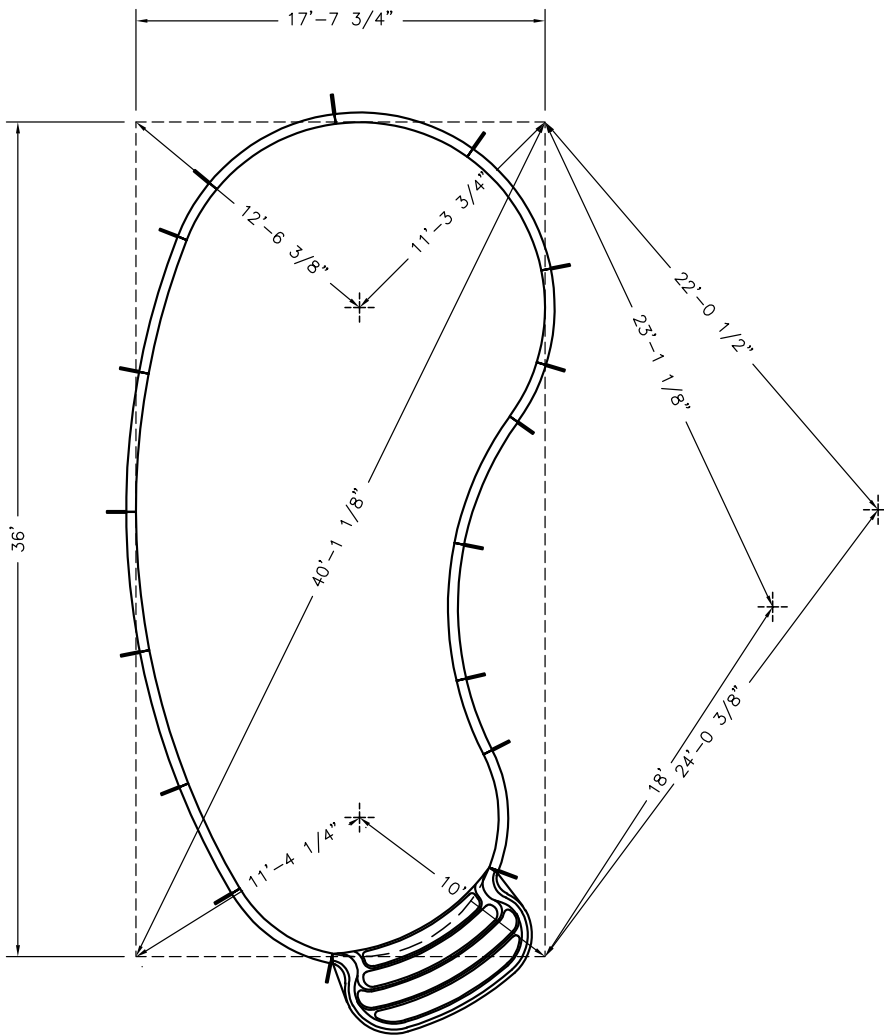
**Pool Size:** 16' X 36'

**Pool Shape:** KIDNEY

**Approx Gal:** 17,035

**Pool Number:** 1636KID (PLASTIC)

250 Route 61 South, Schuylkill Haven, PA 17972 • 570-385-4733 • fax: 570-385-1318 • CustomerService@CardinalSystemsinc.com



**Date:** 5/10/2022

**Perimeter:** 89'-8"

**Drawn By:** JESSE H

**Area:** 468.3 SQ. FT.

**Scale:** 1/8" = 1'-0"

**Notes:** -----



cardinalpools.com

This information is the confidential property of Cardinal Systems, Inc. Disclosure or duplication without proper written approval is strictly prohibited. Acceptance and use of this drawing constitutes knowledge and acceptance by the user of the terms and conditions set forth in the notice and warning which accompanied this drawing is incorporated herein and made part hereof and is found on Cardinal Systems, Inc's website at www.CardinalSystemsInc.com



**Pool Size:** 16' X 36'

**Pool Shape:** KIDNEY

**Approx Gal:** 17,035

**Pool Number:** 1636KID (PLASTIC)

250 Route 61 South, Schuylkill Haven, PA 17972 • 570-385-4733 • fax: 570-385-1318 • CustomerService@CardinalSystemsinc.com

HOPPER DIG POINTS		F-G	24'	E-H4	19'-4 5/8"	G-H3	4'-5 5/8"
POINTS	DISTANCE	F-H	6'-2 1/8"	E-H5	12'-0 1/2"	G-H4	4'-5 5/8"
E-F	26'	G-H	22'	E-H6	6'-4 1/4"	G-H5	16'-10 7/8"
E-G	22'	E-H1	21'-4 5/8"	E-H7	15'-4 3/4"	G-H6	18'-3 1/8"
E-H	20'	E-H2	23'-3 5/8"	G-H1	4'	G-H7	7'-2 1/2"
		E-H3	21'-5 3/4"	G-H2	4'		
PANEL TO HOPPER POINTS		1-H6	12'-3 3/8"	2-H7	13'-10 1/8"	4-H1	18'-4 3/8"
POINTS	DISTANCE	1-H7	19'-9 3/8"	3-H1	4'-6 1/2"	4-H2	22'-3"
1-H1	25'-8 3/4"	2-H1	11'-11 3/4"	3-H2	11'-9 5/8"	4-H3	20'-8 5/8"
1-H2	26'-0 3/4"	2-H2	4'-0 3/4"	3-H3	11'-5 5/8"	4-H4	16'-5 3/4"
1-H3	24'-1 1/4"	2-H3	4'-11 1/2"	3-H4	3'-6 3/4"	4-H5	15'-4 1/2"
1-H4	23'-9"	2-H4	12'-3 3/4"	3-H5	18'-3 3/4"	4-H6	1'-9 1/8"
1-H5	11'-7"	2-H5	17'-2 1/4"	3-H6	13'-1 1/8"	4-H7	12'-9 7/8"
		2-H6	23'-10 3/8"	3-H7	4'-6 3/4"		
PANEL TO PANEL POINTS		1-S1	4'-10 5/8"	2-S2	30'-0 1/2"	4-C1	27'-3"
POINTS	DISTANCE	1-S2	10'-9 5/8"	3-C1	13'-3"	4-C2	12'-1 1/4"
1-C1	33'-7"	2-C1	10'-6 7/8"	3-C2	22'-8 1/4"	4-I	12'-9 1/2"
1-C2	1'-7"	2-C2	26'-7 5/8"	3-I	21'-0 5/8"	4-J	15'-1 1/8"
1-I	5'-0 5/8"	2-I	23'-5 1/4"	3-J	18'-6 3/8"	4-K	18'-3 1/4"
1-J	11'	2-J	17'-9 1/8"	3-K	16'-7 5/8"	4-L	21'-10 3/8"
1-K	16'-10 1/4"	2-K	11'-11 1/8"	3-L	15'-8 1/4"	4-M	26'-11 3/8"
1-L	22'-6 3/4"	2-L	5'-11 7/8"	3-M	15'-11 7/8"	4-N	27'-11 3/8"
1-M	30'-2 1/8"	2-M	2'-6 1/2"	3-N	14'-8 1/4"	4-O	25'-9 1/2"
1-N	33'-3"	2-N	8'-1 3/4"	3-O	11'-4 1/4"	4-P	21'-0 1/8"
1-O	33'-0 3/4"	2-O	12'-7 1/2"	3-P	6'-5 1/4"	4-Q	17'-0 3/4"
1-P	29'-7 7/8"	2-P	15'-4 1/8"	3-Q	2'-7 1/4"	4-R	9'-2 1/2"
1-Q	26'-0 3/4"	2-Q	15'-11 7/8"	3-R	5'-11 1/2"	4-S	3'-4 1/2"
1-R	17'-6 5/8"	2-R	17'-5 1/8"	3-S	11'-7 5/8"	4-S1	10'-9 5/8"
1-S	12'-11 3/8"	2-S	22'-3 1/2"	3-S1	24'-5"	4-S2	4'-10 5/8"
		2-S1	31'-5 1/8"	3-S2	19'-5 5/8"		
BOX POINTS		A-H7	19'-1 1/8"	B-S1	37'-0 1/2"	D-C1	37'-7 1/8"
POINTS	DISTANCE	A-S1	36'-10 3/8"	B-S2	32'-2 7/8"	D-C2	5'-8 1/4"
A-B	17'-7 3/4"	A-S2	35'-7"	C-C1	36'-3 1/4"	D-E	11'-4 1/4"
A-C	40'-1 1/8"	B-C	36'	C-C2	14'-7"	D-F	37'-4 1/4"
A-C1	11'-7 1/8"	B-C1	6'-0 3/4"	C-D	17'-7 3/4"	D-G	29'-7 3/8"
A-C2	31'-10 7/8"	B-C2	34'-7 3/8"	C-E	10'	D-H	31'-4"
A-D	36'	B-D	40'-1 1/8"	C-F	24'-0 3/8"	D-H1	30'-2 5/8"
A-E	31'-6 1/8"	B-E	31'-0 5/8"	C-G	29'-1 1/2"	D-H2	29'-6 1/2"
A-F	36'-1 1/4"	B-F	22'-0 1/2"	C-H	18'	D-H3	27'-6 1/2"
A-G	12'-6 3/8"	B-G	11'-3 3/4"	C-H1	27'-4 1/8"	D-H4	28'-3 1/4"
A-H	34'-6 1/8"	B-H	23'-1 1/8"	C-H2	31'-3 3/4"	D-H5	13'-9 3/4"
A-H1	16'-2 3/4"	B-H1	9'-10 1/2"	C-H3	29'-8 3/4"	D-H6	17'-7 5/8"
A-H2	9'-1 1/8"	B-H2	13'-9 5/8"	C-H4	25'-6 1/8"	D-H7	24'-4 3/4"
A-H3	10'-4 7/8"	B-H3	15'-3 1/4"	C-H5	22'-0 3/8"	D-S1	8'-5 5/8"
A-H4	17'	B-H4	11'-10 1/8"	C-H6	10'-10 1/2"	D-S2	15'-8 3/4"
A-H5	22'-2 3/8"	B-H5	28'-0 3/4"	C-H7	21'-11 1/8"		
A-H6	29'-4 3/8"	B-H6	25'-10 1/2"	C-S1	9'-2 1/8"		
		B-H7	15'-9 3/4"	C-S2	4'-6 1/2"		

**Date:** 5/10/2022

**Perimeter:** 89'-8"

**Drawn By:** JESSE H

**Area:** 468.3 SQ. FT.

**Scale:** 1/8" = 1'-0"

**Notes:** - - - -



cardinalposts.com

This information is the confidential property of Cardinal Systems, Inc. Disclosure or duplication without proper written approval is strictly prohibited. Acceptance and use of this drawing constitutes knowledge and acceptance by the user of the terms and conditions set forth in the notice and warning which accompanied this drawing is incorporated herein and made part hereof and is found on Cardinal Systems, Inc's website at www.CardinalSystemsInc.com



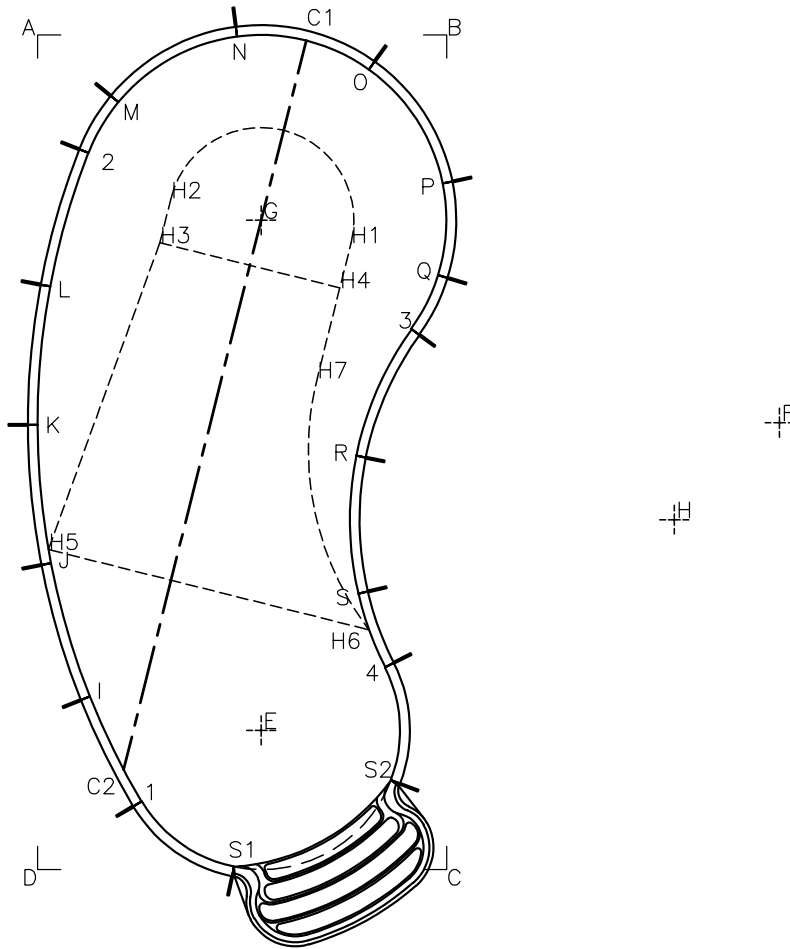
**Pool Size:** 16' X 36'

**Pool Shape:** KIDNEY

**Approx Gal:** 17,035

**Pool Number:** 1636KID (PLASTIC)

250 Route 61 South, Schuylkill Haven, PA 17972 • 570-385-4733 • fax: 570-385-1318 • CustomerService@CardinalSystemsinc.com



**Date:** 5/10/2022

**Perimeter:** 89'-8"

**Drawn By:** JESSE H

**Area:** 468.3 SQ. FT.

**Scale:** 1/8" = 1'-0"

**Notes:** - - - -



cardinalpools.com

This information is the confidential property of Cardinal Systems, Inc. Disclosure or duplication without proper written approval is strictly prohibited. Acceptance and use of this drawing constitutes knowledge and acceptance by the user of the terms and conditions set forth in the notice and warning which accompanied this drawing is incorporated herein and made part hereof and is found on Cardinal Systems, Inc's website at www.CardinalSystemsInc.com



**Pool Size:** 18' X 34

**Pool Shape:** KIDNEY

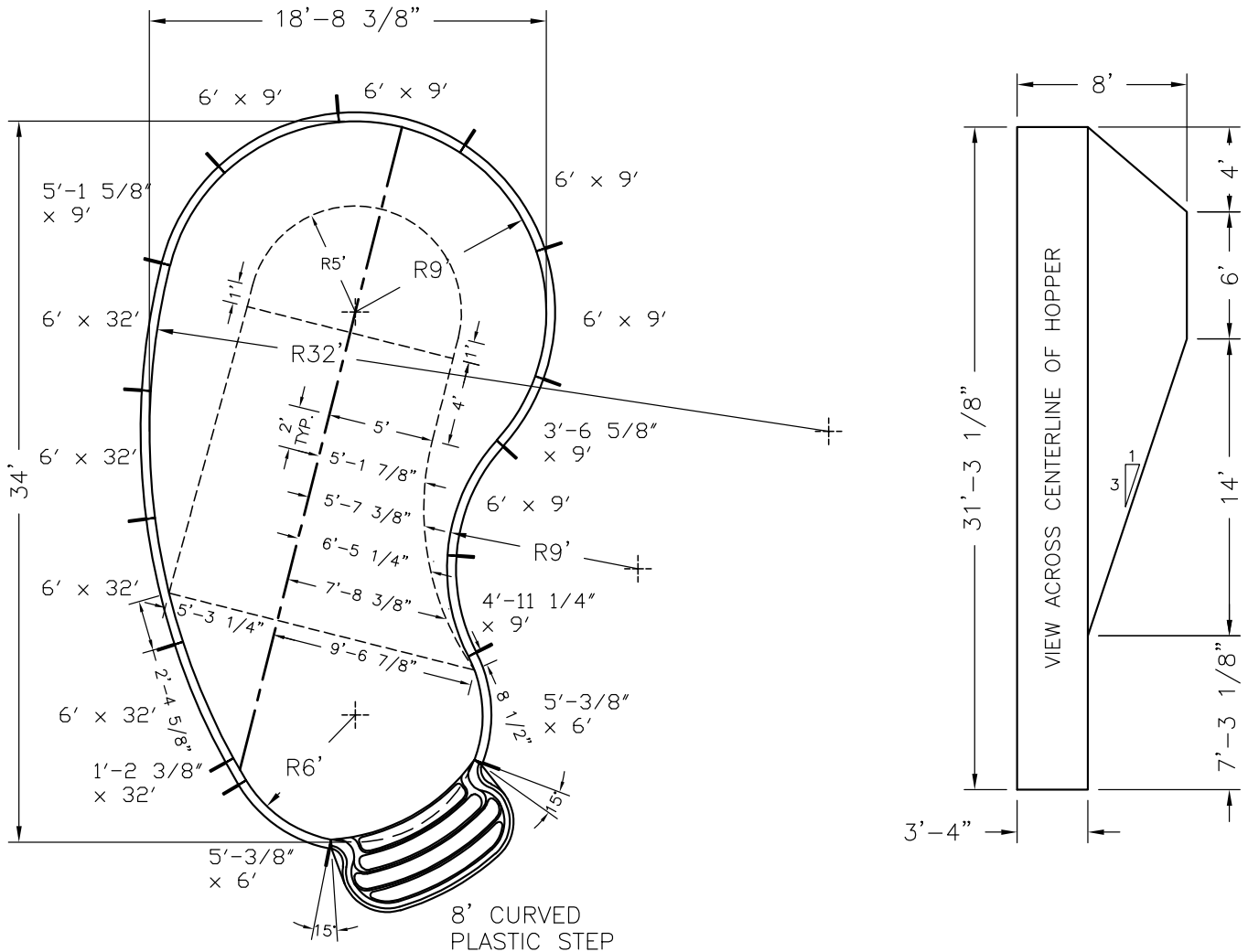
**Pool Number:** 1834KID (PLASTIC)

**Approx Gal:** 17,031

250 Route 61 South, Schuylkill Haven, PA 17972 • 570-385-4733 • fax: 570-385-1318 • CustomerService@CardinalSystemsinc.com

Bill of Materials

PART NO.	QUANTITY	DESCRIPTION
"A" FRAME	16	"A" FRAME ASSEMBLY
CS900GS-15	2	15° STEP ANGLE
5C42123XX32000	1	1'-2 3/8" x 32' Radius C PANEL W/O Z
5C42365XX09000	1	3'-6 5/8" x 9' Radius C PANEL W/O Z
5C42503XX06000	2	5'-3/8" x 6' Radius C PANEL W/O Z
5C42515XX09000	1	5'-1 5/8" x 9' Radius C PANEL W/O Z
5C42600XX09000	4	6' x 9' Radius C PANEL W/O Z
5C42600XX32001	4	6' x 32' Radius C PANEL W/O Z
5R424E2XX09000	1	4'-11 1/4" x 9' Radius R PANEL W/O Z
5R42600XX09000	1	6' x 9' Radius R PANEL W/O Z



**Date:** 5/10/2022

**Perimeter:** 86'-10 5/8"

**Drawn By:** JESSE H

**Area:** 468.2 SQ. FT.

**Scale:** 1/8" = 1'-0"

**Notes:** - - - -



cardinalpools.com

This information is the confidential property of Cardinal Systems, Inc. Disclosure or duplication without proper written approval is strictly prohibited. Acceptance and use of this drawing constitutes knowledge and acceptance by the user of the terms and conditions set forth in the notice and warning which accompanied this drawing is incorporated herein and made part hereof and is found on Cardinal Systems, Inc's website at www.CardinalSystemsInc.com



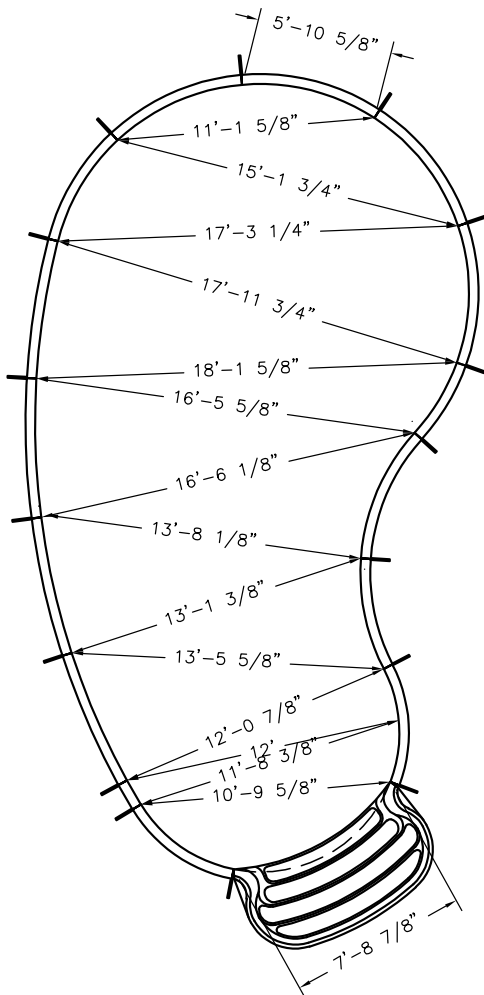
**Pool Size:** 18' X 34

**Pool Shape:** KIDNEY

**Approx Gal:** 17,031

**Pool Number:** 1834KID (PLASTIC)

250 Route 61 South, Schuylkill Haven, PA 17972 • 570-385-4733 • fax: 570-385-1318 • CustomerService@CardinalSystemsinc.com



**Date:** 5/10/2022

**Perimeter:** 86'-10 5/8"

**Drawn By:** JESSE H

**Area:** 468.2 SQ. FT.

**Scale:** 1/8" = 1'-0"

**Notes:** -----



cardinalpools.com

This information is the confidential property of Cardinal Systems, Inc. Disclosure or duplication without proper written approval is strictly prohibited. Acceptance and use of this drawing constitutes knowledge and acceptance by the user of the terms and conditions set forth in the notice and warning which accompanied this drawing is incorporated herein and made part hereof and is found on Cardinal Systems, Inc's website at www.CardinalSystemsInc.com





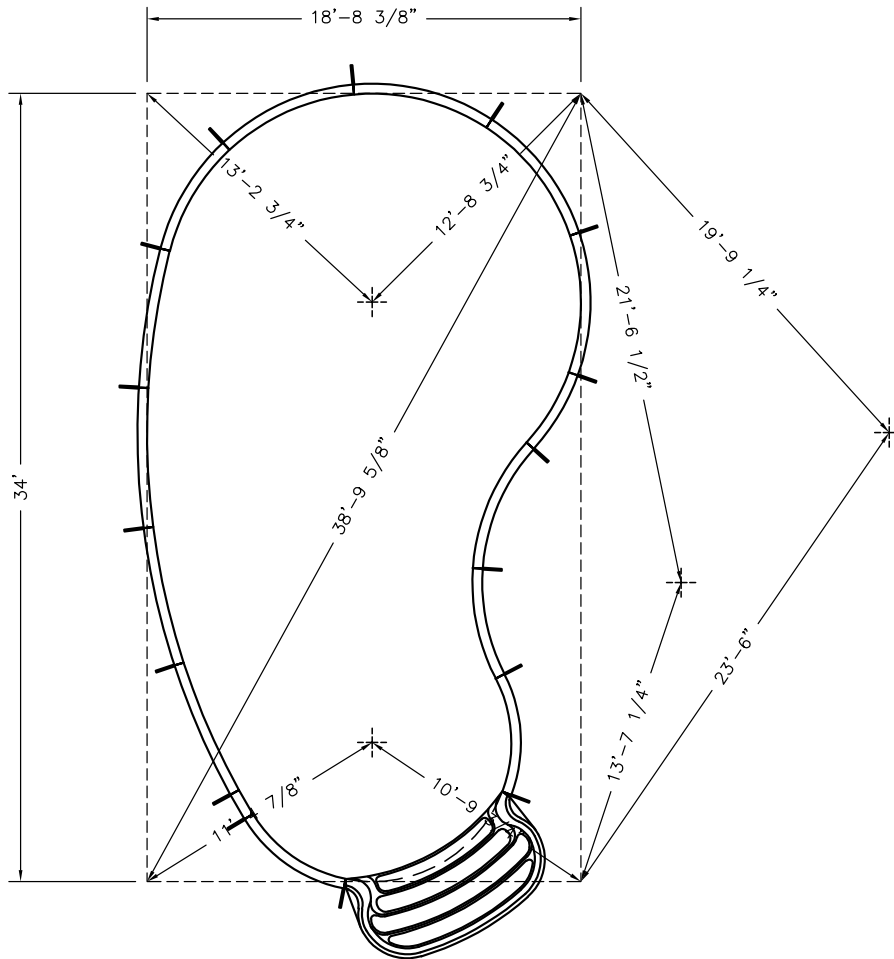
**Pool Size:** 18' X 34

**Pool Shape:** KIDNEY

**Pool Number:** 1834KID (PLASTIC)

**Approx Gal:** 17,031

250 Route 61 South, Schuylkill Haven, PA 17972 • 570-385-4733 • fax: 570-385-1318 • CustomerService@CardinalSystemsinc.com



**Date:** 5/10/2022

**Drawn By:** JESSE H

**Scale:** 1/8" = 1'-0"

**Perimeter:** 86'-10 5/8"

**Area:** 468.2 SQ. FT.

**Notes:** - - - -



This information is the confidential property of Cardinal Systems, Inc. Disclosure or duplication without proper written approval is strictly prohibited. Acceptance and use of this drawing constitutes knowledge and acceptance by the user of the terms and conditions set forth in the notice and warning which accompanied this drawing is incorporated herein and made part hereof and is found on Cardinal Systems, Inc's website at www.CardinalSystemsInc.com



**Pool Size:** 18' X 34'

**Pool Shape:** KIDNEY

**Approx Gal:** 17,031

**Pool Number:** 1834KID (PLASTIC)

250 Route 61 South, Schuylkill Haven, PA 17972 • 570-385-4733 • fax: 570-385-1318 • CustomerService@CardinalSystemsinc.com

HOPPER DIG POINTS		F-G	23'	E-H4	19'-11"	G-H3	5'-1 1/4"
POINTS	DISTANCE	F-H	11'-0 7/8"	E-H5	6'	G-H4	5'-1 1/4"
E-F	26'	G-H	18'	E-H6	10'-5 7/8"	G-H5	17'-9 1/2"
E-G	19'	E-H1	18'-5 1/8"	E-H7	13'-5 1/8"	G-H6	15'-10 3/4"
E-H	15'	E-H2	20'-9 1/2"	G-H1	5'	G-H7	7'-0 7/8"
		E-H3	17'-5 1/8"	G-H2	5'		
PANEL TO HOPPER POINTS		1-H6	9'-6 5/8"	2-H7	14'-10 3/8"	4-H1	15'-0 3/8"
POINTS	DISTANCE	1-H7	18'-3 1/8"	3-H1	5'-1 7/8"	4-H2	20'-2 5/8"
1-H1	23'-1 5/8"	2-H1	14'	3-H2	13'-7 3/8"	4-H3	14'-0 7/8"
1-H2	23'-3 3/4"	2-H2	4'	3-H3	4'-4 1/2"	4-H4	19'-6 1/8"
1-H3	22'-1 7/8"	2-H3	14'-0 3/8"	3-H4	13'-4"	4-H5	8 1/2"
1-H4	22'-4"	2-H4	4'-1 1/2"	3-H5	10'-10 5/8"	4-H6	14'-5"
1-H5	11'-11 3/8"	2-H5	23'-10 1/2"	3-H6	17'-0 1/2"	4-H7	10'-3 3/4"
		2-H6	15'-5 1/2"	3-H7	3'-0 3/8"		
PANEL TO PANEL POINTS		1-S1	4'-10 5/8"	2-S2	27'-4 1/2"	4-C1	25'-2"
POINTS	DISTANCE	1-S2	10'-9 5/8"	3-C1	15'-5 1/4"	4-C2	12'-0 1/4"
1-C1	31'-8 1/8"	2-C1	12'-8 3/4"	3-C2	19'-8 1/4"	4-I	12'-0 7/8"
1-C2	7"	2-C2	24'-0 1/8"	3-I	19'-5 1/2"	4-J	13'-5 5/8"
1-I	1'-2 3/8"	2-I	23'-5 1/4"	3-J	17'-6 7/8"	4-K	16'-1 3/4"
1-J	7'-2 1/8"	2-J	17'-9 1/8"	3-K	16'-6 1/8"	4-L	19'-6 1/4"
1-K	13'-1 1/4"	2-K	11'-11 1/8"	3-L	16'-5 5/8"	4-M	25'-6 1/2"
1-L	18'-10 7/8"	2-L	5'-11 7/8"	3-M	17'-11 7/8"	4-N	25'-11 1/4"
1-M	28'-8"	2-M	5'-0 3/4"	3-N	16'-9 1/8"	4-O	23'-9 1/4"
1-N	31'-4 1/4"	2-N	10'-5 1/4"	3-O	13'-8 1/4"	4-P	19'-4 1/2"
1-O	31'-3 3/8"	2-O	14'-7 7/8"	3-P	9'-1 3/8"	4-Q	13'-7"
1-P	28'-5 3/8"	2-P	17'-3 1/4"	3-Q	3'-6 3/8"	4-R	4'-10 1/2"
1-Q	23'-5 1/8"	2-Q	17'-11 3/4"	3-R	5'-10 5/8"	4-S1	10'-9 5/8"
1-R	14'-2 7/8"	2-R	18'-11"	3-S1	20'-4 5/8"	4-S2	4'-10 5/8"
		2-S1	28'-1 5/8"	3-S2	15'-1 1/4"		
BOX POINTS		A-H7	20'-1 3/8"	B-S1	35'-4 1/2"	D-C1	35'-9 1/8"
POINTS	DISTANCE	A-S1	34'-11 3/8"	B-S2	30'-3 3/4"	D-C2	5'-5 1/2"
A-B	18'-8 3/8"	A-S2	33'-9 1/2"	C-C1	34'-4 7/8"	D-E	11'-4 7/8"
A-C	38'-9 5/8"	B-C	34'	C-C2	14'-10 1/8"	D-F	37'-4 7/8"
A-C1	11'-10 7/8"	B-C1	6'-9 5/8"	C-D	18'-8 3/8"	D-G	26'-9 3/4"
A-C2	30'-10 1/2"	B-C2	33'-9 7/8"	C-E	10'-9 3/4"	D-H	26'-4 5/8"
A-D	34'	B-D	38'-9 5/8"	C-F	23'-6"	D-H1	27'-10 1/2"
A-E	29'-7 5/8"	B-E	29'-4 7/8"	C-G	26'-6 7/8"	D-H2	26'-8"
A-F	35'-2 1/4"	B-F	19'-9 1/4"	C-H	13'-7 1/4"	D-H3	26'-11"
A-G	13'-2 3/4"	B-G	12'-8 3/4"	C-H1	24'-1 5/8"	D-H4	25'-8"
A-H	31'-2 3/4"	B-H	21'-6 1/2"	C-H2	29'-7 7/8"	D-H5	17'-4"
A-H1	17'-9 3/8"	B-H1	11'-0 3/8"	C-H3	23'-2 3/4"	D-H6	11'-9 3/8"
A-H2	9'-2"	B-H2	15'-10 5/8"	C-H4	28'-11"	D-H7	23'-1 3/4"
A-H3	18'-2"	B-H3	12'-0 1/4"	C-H5	8'-9 1/2"	D-S1	8'-6 5/8"
A-H4	9'-10 5/8"	B-H4	16'-7"	C-H6	21'-3 3/4"	D-S2	15'-9 5/8"
A-H5	30'-0 7/8"	B-H5	26'-1 1/4"	C-H7	19'-8 1/8"		
A-H6	22'-3 1/4"	B-H6	28'-5 7/8"	C-S1	10'-1 3/4"		
		B-H7	16'	C-S2	5'-1 3/4"		

**Date:** 5/10/2022

**Perimeter:** 86'-10 5/8"

**Drawn By:** JESSE H

**Area:** 468.2 SQ. FT.

**Scale:** 1/8" = 1'-0"

**Notes:** - - - -



cardinalpools.com

This information is the confidential property of Cardinal Systems, Inc. Disclosure or duplication without proper written approval is strictly prohibited. Acceptance and use of this drawing constitutes knowledge and acceptance by the user of the terms and conditions set forth in the notice and warning which accompanied this drawing is incorporated herein and made part hereof and is found on Cardinal Systems, Inc's website at [www.CardinalSystemsInc.com](http://www.CardinalSystemsInc.com)



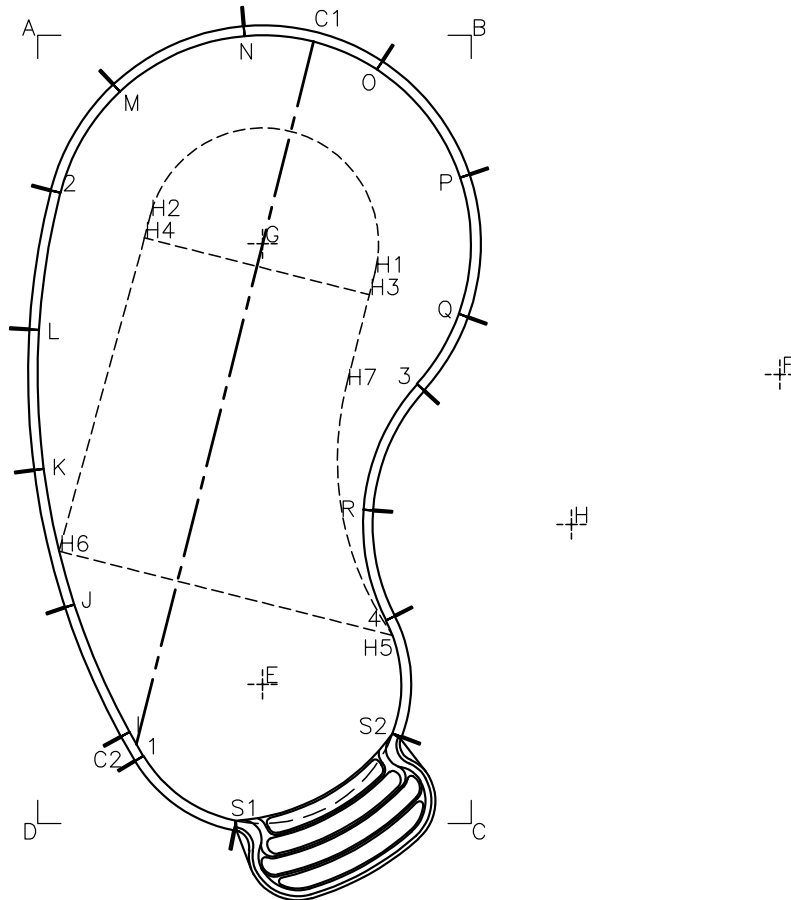
**Pool Size:** 18' X 34

**Pool Shape:** KIDNEY

**Pool Number:** 1834KID (PLASTIC)

**Approx Gal:** 17,031

250 Route 61 South, Schuylkill Haven, PA 17972 • 570-385-4733 • fax: 570-385-1318 • CustomerService@CardinalSystemsInc.com



**Date:** 5/10/2022

**Perimeter:** 86'-10 5/8"

**Drawn By:** JESSE H

**Area:** 468.2 SQ. FT.

**Scale:** 1/8" = 1'-0"

**Notes:** - - - -



cardinalpools.com

This information is the confidential property of Cardinal Systems, Inc. Disclosure or duplication without proper written approval is strictly prohibited. Acceptance and use of this drawing constitutes knowledge and acceptance by the user of the terms and conditions set forth in the notice and warning which accompanied this drawing is incorporated herein and made part hereof and is found on Cardinal Systems, Inc's website at www.CardinalSystemsInc.com



**Pool Size:** 22' X 41'

**Pool Shape:** KIDNEY

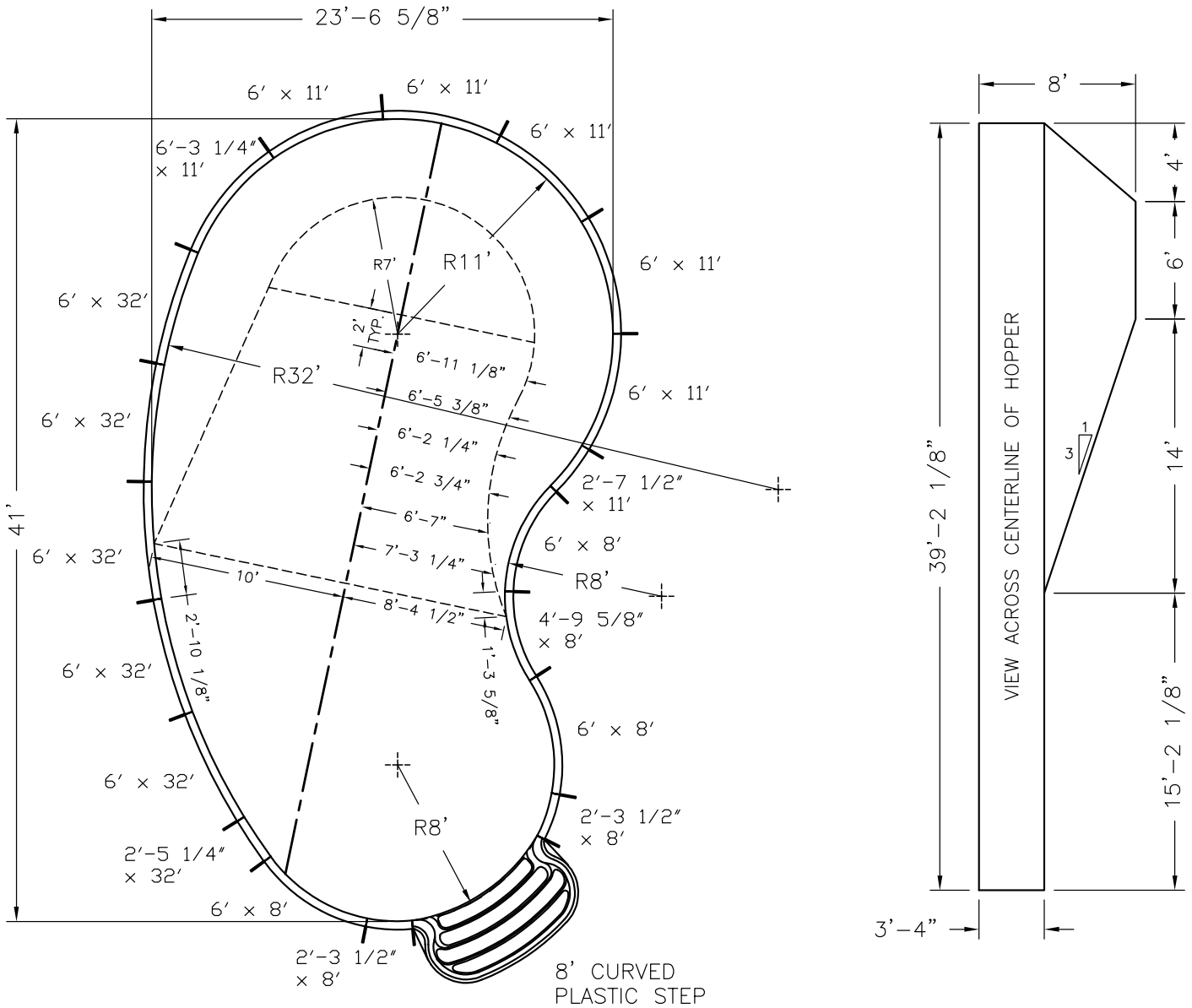
**Approx Gal:** 26,271


**Pool Number:** 2241KID (PLASTIC)

250 Route 61 South, Schuylkill Haven, PA 17972 • 570-385-4733 • fax: 570-385-1318 • CustomerService@CardinalSystemsinc.com

Bill of Materials

PART NO.	QUANTITY	DESCRIPTION
"A" FRAME	20	"A" FRAME ASSEMBLY
5C42234XX08000	2	2'-3 1/2" x 8' Radius C PANEL W/O Z
5C42252XX32000	1	2'-5 1/4" x 32' Radius C PANEL W/O Z
5C42274XX11000	1	2'-7 1/2" x 11' Radius C PANEL W/O Z
5C42600XX08000	2	6' x 8' Radius C PANEL W/O Z
5C42600XX11000	5	6' x 11' Radius C PANEL W/O Z
5C42600XX32001	5	6' x 32' Radius C PANEL W/O Z
5C42632XX11000	1	6'-3 1/4" x 11' Radius C PANEL W/O Z
5R42495XX08000	1	4'-9 5/8" x 8' Radius R PANEL W/O Z
5R42600XX08000	1	6' x 8' Radius R PANEL W/O Z



<b>Date:</b> 5/10/2022	<b>Perimeter:</b> 106'-8 3/4"	 cardinalpools.com
<b>Drawn By:</b> JESSE H	<b>Area:</b> 722.2 SQ. FT.	
<b>Scale:</b> 1/8" = 1'-0"	<b>Notes:</b> -----	

This information is the confidential property of Cardinal Systems, Inc. Disclosure or duplication without proper written approval is strictly prohibited. Acceptance and use of this drawing constitutes knowledge and acceptance by the user of the terms and conditions set forth in the notice and warning which accompanied this drawing is incorporated herein and made part hereof and is found on Cardinal Systems, Inc's website at www.CardinalSystemsInc.com



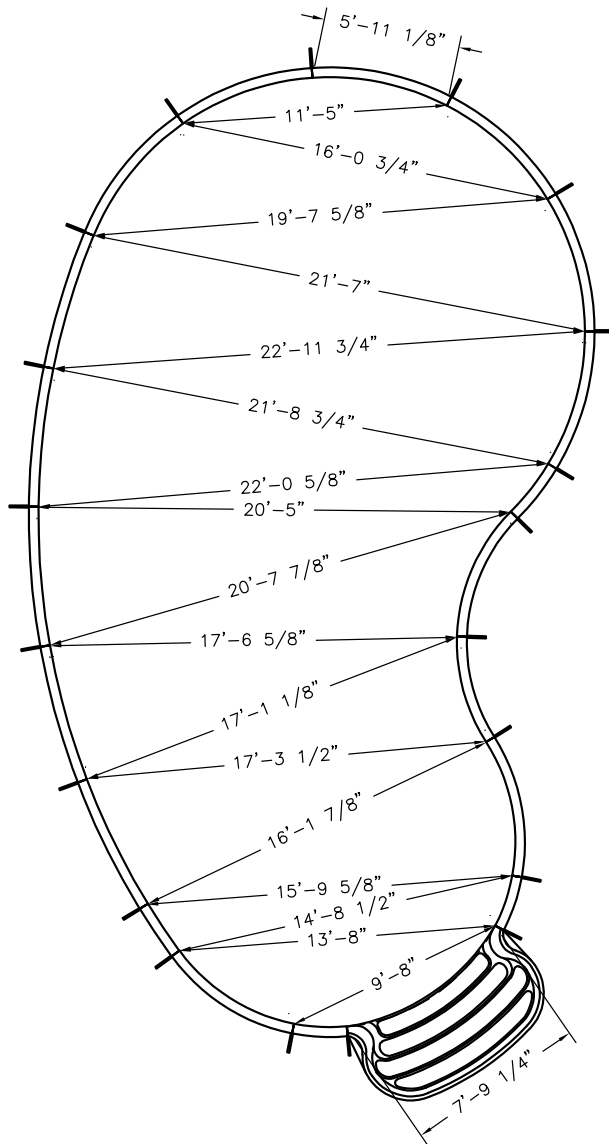
**Pool Size:** 22' X 41'

**Pool Shape:** KIDNEY

**Approx Gal:** 26,271

**Pool Number:** 2241KID (PLASTIC)

250 Route 61 South, Schuylkill Haven, PA 17972 • 570-385-4733 • fax: 570-385-1318 • CustomerService@CardinalSystemsinc.com



**Date:** 5/10/2022

**Perimeter:** 106'-8 3/4"

**Drawn By:** JESSE H

**Area:** 722.2 SQ. FT.

**Scale:** 1/8" = 1'-0"

**Notes:** -----



cardinalpools.com

This information is the confidential property of Cardinal Systems, Inc. Disclosure or duplication without proper written approval is strictly prohibited. Acceptance and use of this drawing constitutes knowledge and acceptance by the user of the terms and conditions set forth in the notice and warning which accompanied this drawing is incorporated herein and made part hereof and is found on Cardinal Systems, Inc's website at www.CardinalSystemsInc.com



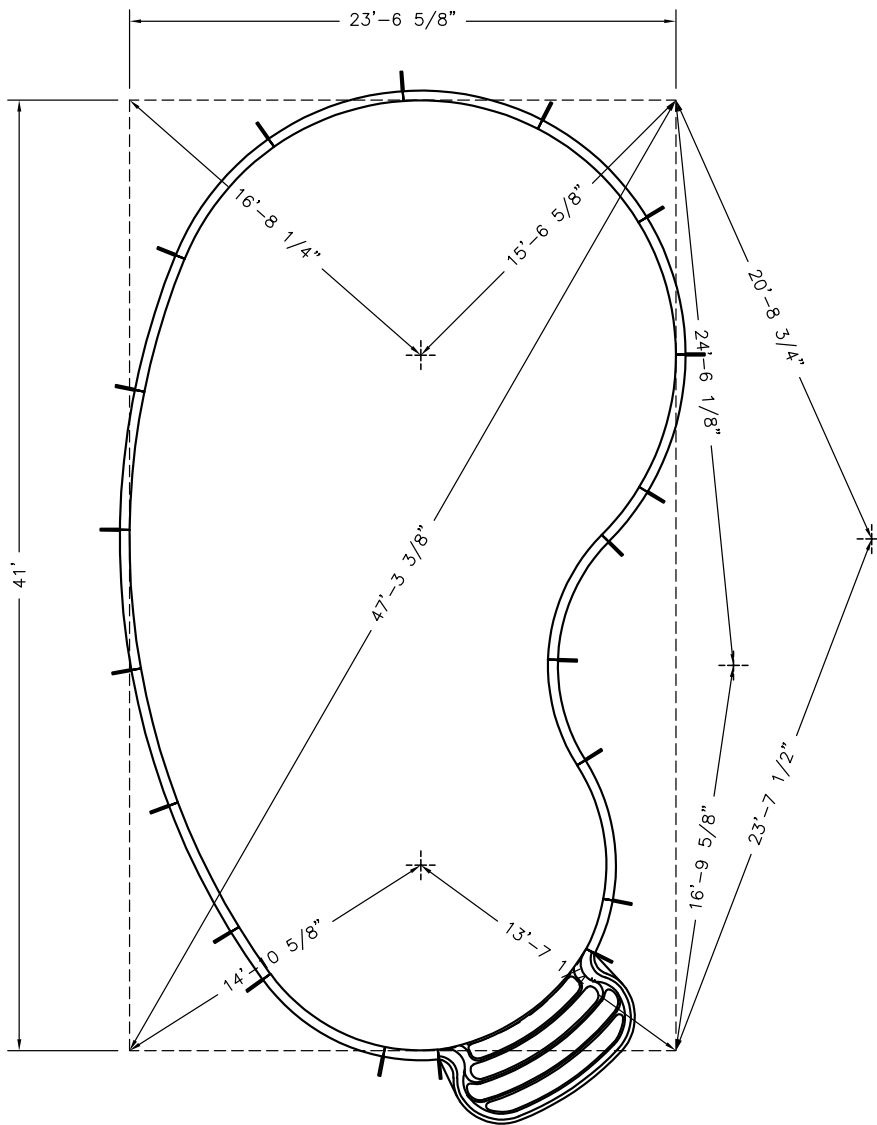
**Pool Size:** 22' X 41'

**Pool Shape:** KIDNEY

**Approx Gal:** 26,271

**Pool Number:** 2241KID (PLASTIC)

250 Route 61 South, Schuylkill Haven, PA 17972 • 570-385-4733 • fax: 570-385-1318 • CustomerService@CardinalSystemsinc.com



**Date:** 5/10/2022

**Perimeter:** 106'-8 3/4"

**Drawn By:** JESSE H

**Area:** 722.2 SQ. FT.

**Scale:** 1/8" = 1'-0"

**Notes:** -----



cardinalpools.com

This information is the confidential property of Cardinal Systems, Inc. Disclosure or duplication without proper written approval is strictly prohibited. Acceptance and use of this drawing constitutes knowledge and acceptance by the user of the terms and conditions set forth in the notice and warning which accompanied this drawing is incorporated herein and made part hereof and is found on Cardinal Systems, Inc's website at www.CardinalSystemsInc.com



**Pool Size:** 22' X 41'

**Pool Shape:** KIDNEY

**Approx Gal:** 26,271

**Pool Number:** 2241KID (PLASTIC)

250 Route 61 South, Schuylkill Haven, PA 17972 • 570-385-4733 • fax: 570-385-1318 • CustomerService@CardinalSystemsinc.com

HOPPER DIG POINTS		E-H	16'	E-H2	25'-3 1/8"	G-H2	7'
POINTS	DISTANCE	F-G	21'	E-H3	22'-8 1/8"	G-H3	7'
E-F	24'	F-H	8'-1"	E-H4	16'-9 5/8"	G-H4	16'-4 7/8"
E-G	22'	G-H	19'	E-H5	9'-4 5/8"	G-H5	15'-5 1/2"
		E-H1	19'-8"	G-H1	7'		
PANEL TO HOPPER POINTS		1-H4	17'-0 3/4"	2-H5	24'-4 1/4"	4-H1	14'-4 5/8"
POINTS	DISTANCE	1-H5	17'-2 1/8"	3-H1	4'-8 5/8"	4-H2	24'-1 1/8"
1-H1	26'-6 7/8"	2-H1	17'-11 3/4"	3-H2	17'-7 1/4"	4-H3	17'-3 1/8"
1-H2	29'-0 7/8"	2-H2	4'-0 1/8"	3-H3	7'-4 3/8"	4-H4	20'-5"
1-H3	29'-6 1/8"	2-H3	17'-9 1/4"	3-H4	20'-5 1/2"	4-H5	3'-5 5/8"
		2-H4	15'-0 1/4"	3-H5	7'-0 5/8"		
PANEL TO PANEL POINTS		1-U	18'-1"	2-V	32'-11 3/4"	4-C1	28'-9 3/4"
POINTS	DISTANCE	1-V	14'-8 1/2"	3-C1	19'-4 1/8"	4-C2	15'-11"
1-C1	38'-5 1/2"	2-C1	14'-0 7/8"	3-C2	24'-0 1/8"	4-I	14'-8 1/2"
1-C2	1'-2"	2-C2	32'-0 5/8"	3-I	24'	4-J	16'-1 7/8"
1-I	5'-10 3/8"	2-I	35'-1"	3-J	23'-0 3/8"	4-K	17'-3 1/2"
1-J	2'-5 1/4"	2-J	28'-11"	3-K	21'-7 3/8"	4-L	19'-3 1/4"
1-K	8'-5"	2-K	23'-5 1/4"	3-L	20'-8 1/4"	4-M	21'-9 5/8"
1-L	14'-3 3/4"	2-L	17'-9 1/8"	3-M	20'-4 3/8"	4-N	24'-7 7/8"
1-M	20'-1 1/8"	2-M	11'-11 1/8"	3-N	20'-8"	4-O	29'-8 5/8"
1-N	25'-8 1/4"	2-N	5'-11 7/8"	3-O	21'-11"	4-P	29'-7 1/2"
1-O	35'-8 1/4"	2-O	6'-2 1/4"	3-P	20'-7"	4-Q	27'-6 1/8"
1-P	38'-1 1/8"	2-P	11'-7 3/4"	3-Q	17'-8 3/4"	4-R	23'-6 7/8"
1-Q	38'-2 7/8"	2-Q	16'-2 7/8"	3-R	13'-6 7/8"	4-S	18'-2 5/8"
1-R	36'-1 1/8"	2-R	19'-7 5/8"	3-S	8'-4 7/8"	4-S1	13'-8"
1-S	31'-11 1/8"	2-S	21'-7"	3-S1	23'-3 3/4"	4-S2	7'-11 1/8"
1-S1	7'-11 1/8"	2-S1	35'-9 7/8"	3-S2	17'-10 1/2"	4-T	12'-3 5/8"
1-S2	13'-8"	2-S2	34'-5 1/4"	3-T	2'-7 3/8"	4-U	4'-8 3/4"
1-T	26'-4 1/8"	2-T	21'-11 1/4"	3-U	5'-10 3/8"	4-V	5'-10 3/8"
		2-U	23'-4"	3-V	15'-8 3/8"		
BOX POINTS		A-H5	31'-2 5/8"	B-S1	42'-2 3/4"	D-C1	43'-4 1/2"
POINTS	DISTANCE	A-S1	43'-0 7/8"	B-S2	36'-9 3/4"	D-C2	7'-2 7/8"
A-B	23'-6 5/8"	A-S2	41'-6 7/8"	C-C1	41'-8 3/8"	D-E	14'-10 5/8"
A-C	47'-3 3/8"	B-C	41'	C-C2	16'-10 7/8"	D-F	38'-10 1/2"
A-C1	14'-9 1/2"	B-C1	8'-9 1/4"	C-D	23'-6 5/8"	D-G	32'-6 1/4"
A-C2	39'-2 1/4"	B-C2	42'-0 5/8"	C-E	13'-7 1/4"	D-H	30'-10 5/8"
A-D	41'	B-D	47'-3 3/8"	C-F	23'-7 1/2"	D-H1	32'-7 1/8"
A-E	35'-3 3/4"	B-E	34'-9 3/8"	C-G	31'-11 3/8"	D-H2	32'-11 1/4"
A-F	37'-2 1/8"	B-F	20'-8 3/4"	C-H	16'-9 5/8"	D-H3	35'-5 3/8"
A-G	16'-8 1/4"	B-G	15'-6 5/8"	C-H1	27'-1 3/8"	D-H4	19'-3 5/8"
A-H	35'-8 1/8"	B-H	24'-6 1/8"	C-H2	36'-10 1/4"	D-H5	23'-10 5/8"
A-H1	23'-6 7/8"	B-H1	15'-1 3/8"	C-H3	29'-10 1/8"	D-S1	13'-3 1/2"
A-H2	10'-5 3/4"	B-H2	19'-6 7/8"	C-H4	30'-4 3/8"	D-S2	20'-2 1/8"
A-H3	22'-7 5/8"	B-H3	12'-1 3/8"	C-H5	16'-6"		
A-H4	21'-8 3/8"	B-H4	31'-11 1/4"	C-S1	10'-3 1/8"		
		B-H5	26'-0 1/8"	C-S2	5'-10 1/8"		

**Date:** 5/10/2022

**Perimeter:** 106'-8 3/4"

**Drawn By:** JESSE H

**Area:** 722.2 SQ. FT.

**Scale:** 1/8" = 1'-0"

**Notes:** - - - -



cardinalpools.com

This information is the confidential property of Cardinal Systems, Inc. Disclosure or duplication without proper written approval is strictly prohibited. Acceptance and use of this drawing constitutes knowledge and acceptance by the user of the terms and conditions set forth in the notice and warning which accompanied this drawing is incorporated herein and made part hereof and is found on Cardinal Systems, Inc's website at www.CardinalSystemsInc.com



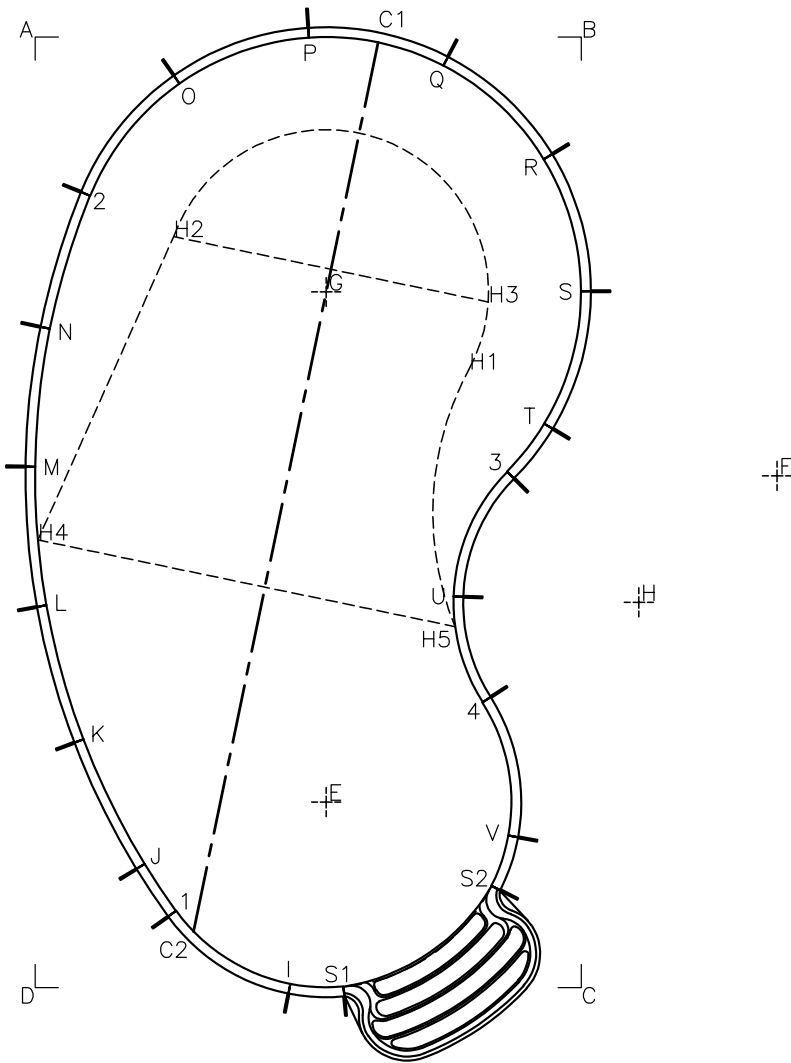
**Pool Size:** 22' X 41'

**Pool Shape:** KIDNEY

**Approx Gal:** 26,271

**Pool Number:** 2241KID (PLASTIC)

250 Route 61 South, Schuylkill Haven, PA 17972 • 570-385-4733 • fax: 570-385-1318 • CustomerService@CardinalSystemsinc.com



<b>Date:</b> 5/10/2022	<b>Perimeter:</b> 106'-8 3/4"
<b>Drawn By:</b> JESSE H	<b>Area:</b> 722.2 SQ. FT.
<b>Scale:</b> 1/8" = 1'-0"	<b>Notes:</b> -----



cardinalpools.com

This information is the confidential property of Cardinal Systems, Inc. Disclosure or duplication without proper written approval is strictly prohibited. Acceptance and use of this drawing constitutes knowledge and acceptance by the user of the terms and conditions set forth in the notice and warning which accompanied this drawing is incorporated herein and made part hereof and is found on Cardinal Systems, Inc's website at www.CardinalSystemsInc.com



# STRAIGHT WALL KIDNEY

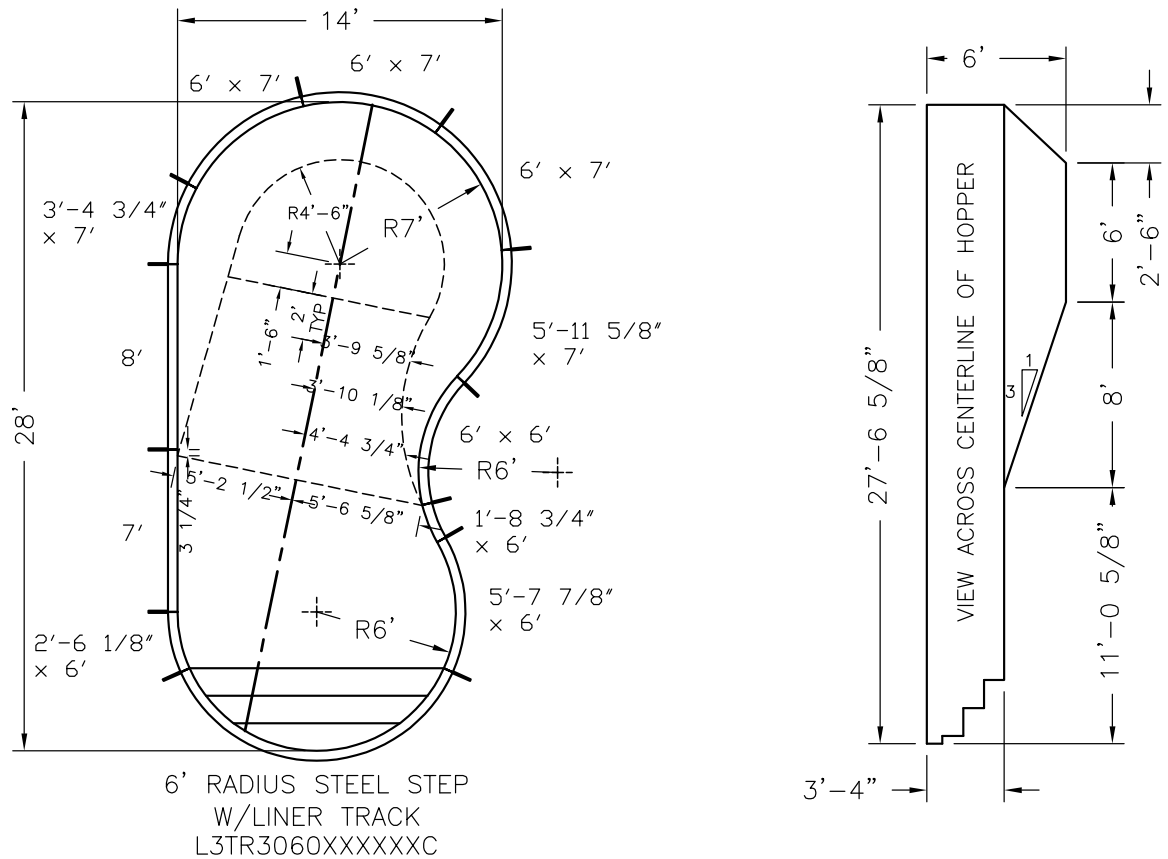


**Pool Size:** 14' X 28'      **Approx Gal:** 9,910  
**Pool Shape:** STRAIGHT WALL KIDNEY  
**Pool Number:** 1428SWK (STEEL)

250 Route 61 South, Schuylkill Haven, PA 17972 • 570-385-4733 • fax: 570-385-1318 • CustomerService@CardinalSystemsInc.com

## Bill of Materials

PART NO.	QUANTITY	DESCRIPTION
"A" FRAME	12	"A" FRAME ASSEMBLY
L3TR3060XXXXXXC	1	6' RADIUS STEEL STEP W/LINER TRACK
5C42261XX06000	1	2'-6 1/8" x 6' Radius C PANEL W/0 Z
5C42346XX07000	1	3'-4 3/4" x 7' Radius C PANEL W/0 Z
5C42577XX06000	1	5'-7 7/8" x 6' Radius C PANEL W/0 Z
5C425E5XX07000	1	5'-11 5/8" x 7' Radius C PANEL W/0 Z
5C42600XX07000	3	6' x 7' Radius C PANEL W/0 Z
5R42186XX06000	1	1'-8 3/4" x 6' Radius R PANEL W/0 Z
5R42600XX06000	1	6' x 6' Radius R PANEL W/0 Z
5S42700XXX2	1	7' Straight PANEL W/2 Z
5S42800XXX2	1	8' Straight PANEL W/2 Z



NOTE: THIS IS A NON DIVING POOL.

Date: 5/10/2022

Perimeter: 72'-0 3/4"

Drawn By: JESSE H

Area: 310.9 SQ. FT.

Scale: 1/8" = 1'-0"

Notes: -----



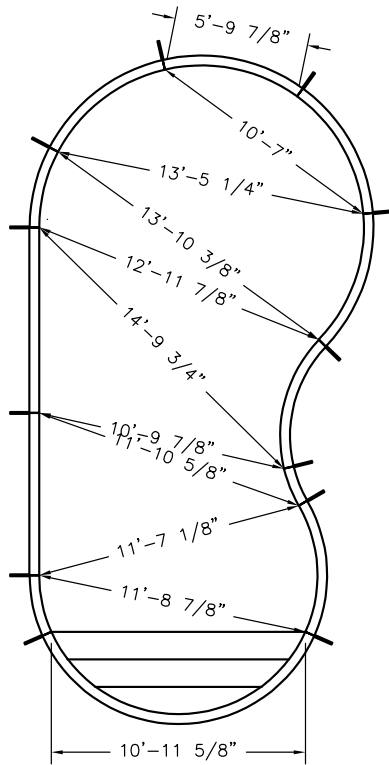
cardinalpools.com

This Information Is the confidential property of Cardinal Systems, Inc. Disclosure or duplication without proper written approval is strictly prohibited. Acceptance and use of this drawing constitutes knowledge and acceptance by the user of the terms and conditions set forth in the notice and warning which accompanied this drawing is incorporated herein and made part hereof and is found on Cardinal Systems, Inc's website at www.CardinalSystemsInc.com



**Pool Size:** 14' X 28'      **Approx Gal:** 9,910  
**Pool Shape:** STRAIGHT WALL KIDNEY  
**Pool Number:** 1428SWK (STEEL)

250 Route 61 South, Schuylkill Haven, PA 17972 • 570-385-4733 • fax: 570-385-1318 • CustomerService@CardinalSystemsinc.com



**Date:** 5/10/2022

**Perimeter:** 72'-0 3/4"

**Drawn By:** JESSE H

**Area:** 310.9 SQ. FT.

**Scale:** 1/8" = 1'-0"

**Notes:** -----



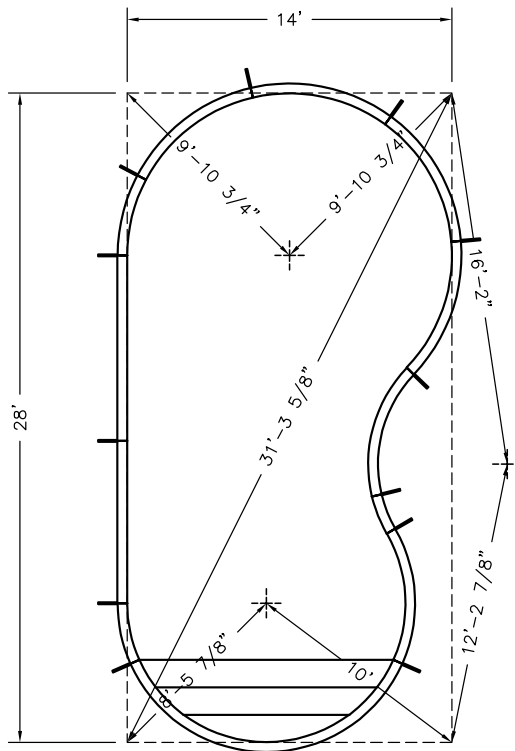
cardinalpools.com


This Information Is the confidential property of Cardinal Systems, Inc. Disclosure or duplication without proper written approval is strictly prohibited. Acceptance and use of this drawing constitutes knowledge and acceptance by the user of the terms and conditions set forth in the notice and warning which accompanied this drawing is incorporated herein and made part hereof and is found on Cardinal Systems, Inc's website at www.CardinalSystemsInc.com



**Pool Size:** 14' X 28'      **Approx Gal:** 9,910  
**Pool Shape:** STRAIGHT WALL KIDNEY  
**Pool Number:** 1428SWK (STEEL)

250 Route 61 South, Schuylkill Haven, PA 17972 • 570-385-4733 • fax: 570-385-1318 • CustomerService@CardinalSystemsinc.com



<b>Date:</b> 5/10/2022	<b>Perimeter:</b> 72'-0 3/4"	 cardinalpools.com
<b>Drawn By:</b> JESSE H	<b>Area:</b> 310.9 SQ. FT.	
<b>Scale:</b> 1/8" = 1'-0"	<b>Notes:</b> - - - -	

This information is the confidential property of Cardinal Systems, Inc. Disclosure or duplication without proper written approval is strictly prohibited. Acceptance and use of this drawing constitutes knowledge and acceptance by the user of the terms and conditions set forth in the notice and warning which accompanied this drawing is incorporated herein and made part hereof and is found on Cardinal Systems, Inc's website at www.CardinalSystemsInc.com



**Pool Size:** 14' X 28' **Approx Gal:** 9,910  
**Pool Shape:** STRAIGHT WALL KIDNEY  
**Pool Number:** 1428SWK (STEEL)

250 Route 61 South, Schuylkill Haven, PA 17972 • 570-385-4733 • fax: 570-385-1318 • CustomerService@CardinalSystemsinc.com

HOPPER DIG POINTS		E-G	15'-0 3/8"	E-H3	14'-11 3/8"	G-H2	4'-6"
POINTS	DISTANCE	F-G	13'	E-H4	9'-0 1/4"	G-H3	4'-10 3/8"
E-F	12'	E-H1	13'-7"	E-H5	6'-5 5/8"	G-H4	10'-10"
		E-H2	16'-6 5/8"	G-H1	4'-6"	G-H5	11'-0 1/8"
PANEL TO HOPPER POINTS		1-H4	11'-9 5/8"	2-H5	5'-9 1/4"	4-H1	16'-8 3/8"
POINTS	DISTANCE	1-H5	1'-8 3/8"	3-H1	11'-1 1/4"	4-H2	16'-5 1/4"
1-H1	9'-8 1/4"	2-H1	2'-9 1/2"	3-H2	2'-11 1/4"	4-H3	14'-7 3/8"
1-H2	15'-8 3/4"	2-H2	11'-2 1/8"	3-H3	2'-2 7/8"	4-H4	6'-8 3/4"
1-H3	14'-6 7/8"	2-H3	10'-9 3/8"	3-H4	8'-3 1/4"	4-H5	11'-6 1/8"
		2-H4	12'-6 3/8"	3-H5	14'-10"		
PANEL TO PANEL POINTS		1-S1	5'-5 3/8"	2-S2	17'-1"	4-C1	23'-5"
POINTS	DISTANCE	1-S2	11'-11 3/4"	3-C1	10'-10 1/8"	4-C2	5'-10 7/8"
1-C1	19'-0 3/4"	2-C1	12'-3 1/8"	3-C2	20'-4 1/8"	4-H	11'-6 1/8"
1-C2	11'-7 1/2"	2-C2	17'-9 7/8"	3-H	14'-9 3/4"	4-I	7'
1-H	1'-8 5/8"	2-H	5'-9"	3-I	8'	4-J	18'-3 1/2"
1-I	11'-10 5/8"	2-I	12'-5 1/2"	3-J	3'-4 3/8"	4-K	22'-5 3/4"
1-J	18'-5 1/2"	2-J	13'-10 3/8"	3-K	8'-8 1/2"	4-L	23'-5 1/2"
1-K	19'-8 1/8"	2-K	13'-5"	3-L	12'-5 3/4"	4-M	20'-11 1/4"
1-L	17'-7 7/8"	2-L	10'-6 1/2"	3-M	13'-11 7/8"	4-S1	11'-8 7/8"
1-M	12'-10 5/8"	2-M	5'-9 1/8"	3-S1	20'-10 1/2"	4-S2	2'-5 7/8"
		2-S1	12'-7 1/4"	3-S2	17'-5 3/8"		
BOX POINTS		A-H5	20'-4 1/2"	B-S1	24'-6 3/4"	D-C1	29'-1 1/8"
POINTS	DISTANCE	A-S1	27'	B-S2	27'-10 7/8"	D-C2	3'-0 3/8"
A-B	14'	A-S2	24'-5 3/8"	C-C1	28'-5"	D-E	8'-5 7/8"
A-C	31'-3 5/8"	B-C	28'	C-C2	11'-1 5/8"	D-F	20'-3 3/4"
A-C1	8'-4 3/4"	B-C1	5'-7 1/4"	C-D	14'	D-G	22'-1 5/8"
A-C2	27'-3 1/2"	B-C2	29'-3 7/8"	C-E	10'	D-H1	21'-7 3/8"
A-D	28'	B-D	31'-3 5/8"	C-F	12'-2 7/8"	D-H2	22'-4 1/2"
A-E	22'-9 5/8"	B-E	23'-4 7/8"	C-G	22'-1 5/8"	D-H3	20'-6 3/4"
A-F	22'-10 3/4"	B-F	16'-2"	C-H1	18'-11 3/8"	D-H4	12'-8 3/4"
A-G	9'-10 3/4"	B-G	9'-10 3/4"	C-H2	24'-11 1/4"	D-H5	14'-11 3/8"
A-H1	14'-3 5/8"	B-H1	9'-10"	C-H3	23'-7 1/2"	D-S1	12'-0 1/4"
A-H2	6'-4 3/8"	B-H2	12'-8 5/8"	C-H4	18'-11 1/8"	D-S2	3'-7 1/4"
A-H3	7'-10 1/4"	B-H3	14'-0 3/8"	C-H5	11'-1 1/2"		
A-H4	15'-3 1/4"	B-H4	20'-8 5/8"	C-S1	4'-4 3/8"		
		B-H5	17'-9 1/8"	C-S2	13'-11 3/8"		

Date: 5/10/2022

Perimeter: 72'-0 3/4"

Drawn By: JESSE H

Area: 310.9 SQ. FT.

Scale: 1/8" = 1'-0"

Notes: - - - -

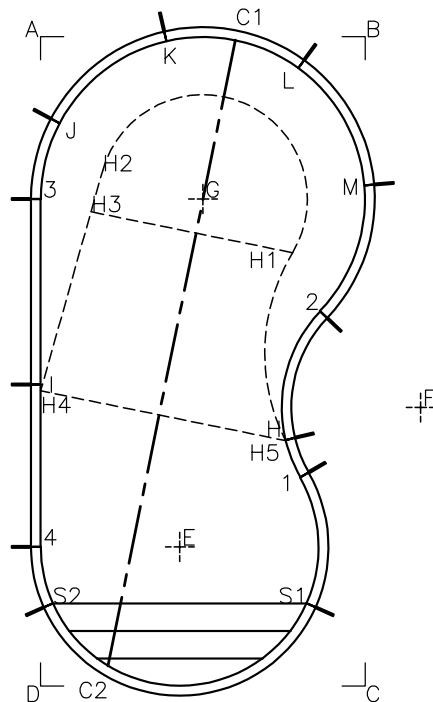



This Information Is the confidential property of Cardinal Systems, Inc. Disclosure or duplication without proper written approval is strictly prohibited. Acceptance and use of this drawing constitutes knowledge and acceptance by the user of the terms and conditions set forth in the notice and warning which accompanied this drawing is incorporated herein and made part hereof and is found on Cardinal Systems, Inc's website at www.CardinalSystemsInc.com



**Pool Size:** 14' X 28'      **Approx Gal:** 9,910  
**Pool Shape:** STRAIGHT WALL KIDNEY  
**Pool Number:** 1428SWK (STEEL)

250 Route 61 South, Schuylkill Haven, PA 17972 • 570-385-4733 • fax: 570-385-1318 • CustomerService@CardinalSystemsinc.com



<b>Date:</b> 5/10/2022	<b>Perimeter:</b> 72' - 0 3/4"	 cardinalpools.com
<b>Drawn By:</b> JESSE H	<b>Area:</b> 310.9 SQ. FT.	
<b>Scale:</b> 1/8" = 1'-0"	<b>Notes:</b> - - - -	

This information is the confidential property of Cardinal Systems, Inc. Disclosure or duplication without proper written approval is strictly prohibited. Acceptance and use of this drawing constitutes knowledge and acceptance by the user of the terms and conditions set forth in the notice and warning which accompanied this drawing is incorporated herein and made part hereof and is found on Cardinal Systems, Inc's website at www.CardinalSystemsInc.com

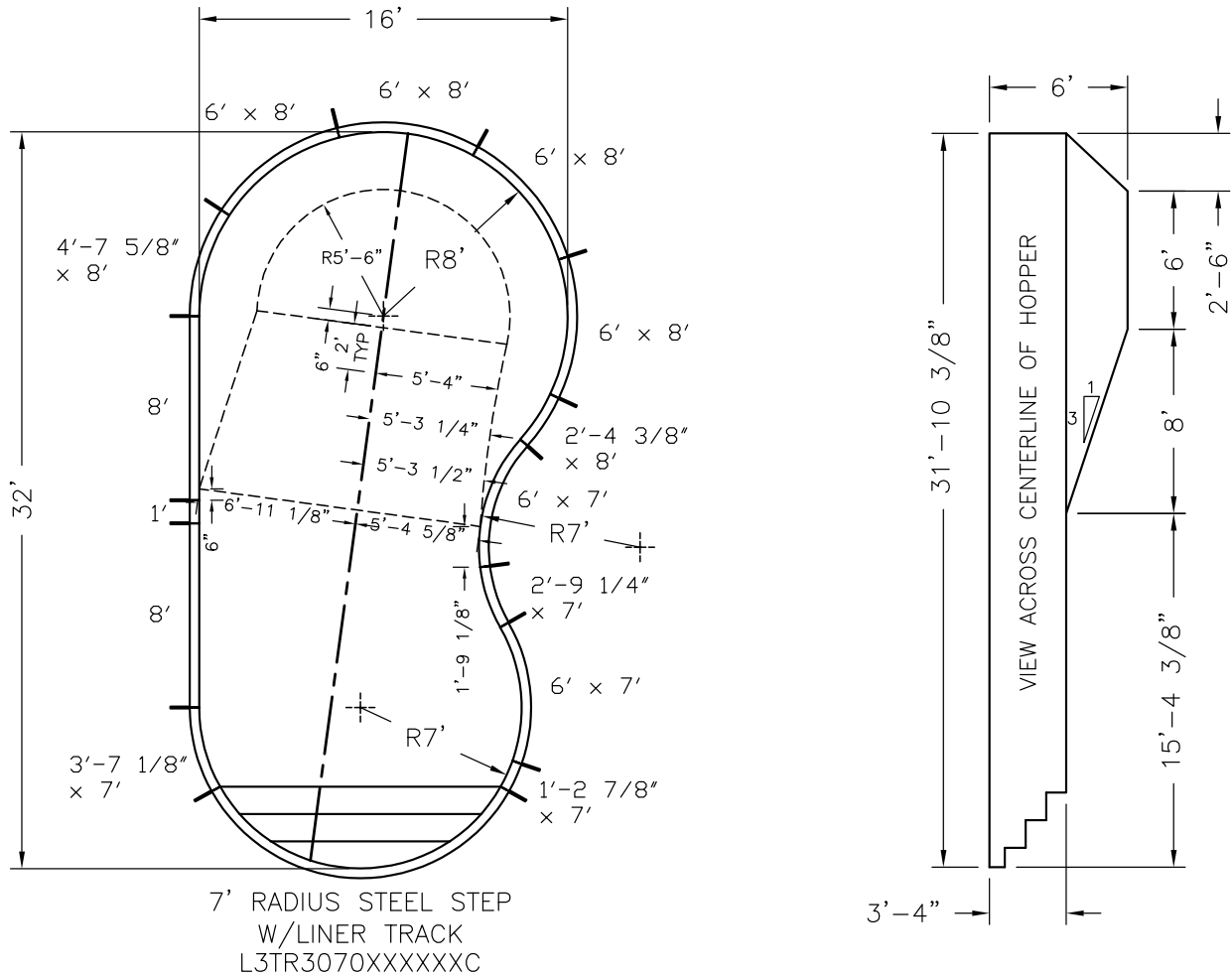


**Pool Size:** 16' X 32' **Approx Gal:** 13,079  
**Pool Shape:** STRAIGHT WALL KIDNEY  
**Pool Number:** 1632SWK (STEEL)

250 Route 61 South, Schuylkill Haven, PA 17972 • 570-385-4733 • fax: 570-385-1318 • CustomerService@CardinalSystemsinc.com

Bill of Materials

PART NO.	QUANTITY	DESCRIPTION
"A" FRAME	15	"A" FRAME ASSEMBLY
L3TR3070XXXXXC	1	7' RADIUS STEEL STEP W/LINER TRACK
5C42127XX07000	1	1'-2 7/8" x 7' Radius C PANEL W/0 Z
5C42243XX08000	1	2'-4 3/8" x 8' Radius C PANEL W/0 Z
5C42371XX07000	1	3'-7 1/8" x 7' Radius C PANEL W/0 Z
5C42475XX08000	1	4'-7 5/8" x 8' Radius C PANEL W/0 Z
5C42600XX07000	1	6' x 7' Radius C PANEL W/0 Z
5C42600XX08000	4	6' x 8' Radius C PANEL W/0 Z
5R42292XX07000	1	2'-9 1/4" x 7' Radius R PANEL W/0 Z
5R42600XX07000	1	6' x 7' Radius R PANEL W/0 Z
5S42100XXX0	1	1' Straight PANEL W/0 Z
5S42800XXX2	2	8' Straight PANEL W/2 Z



NOTE: THIS IS A NON DIVING POOL.

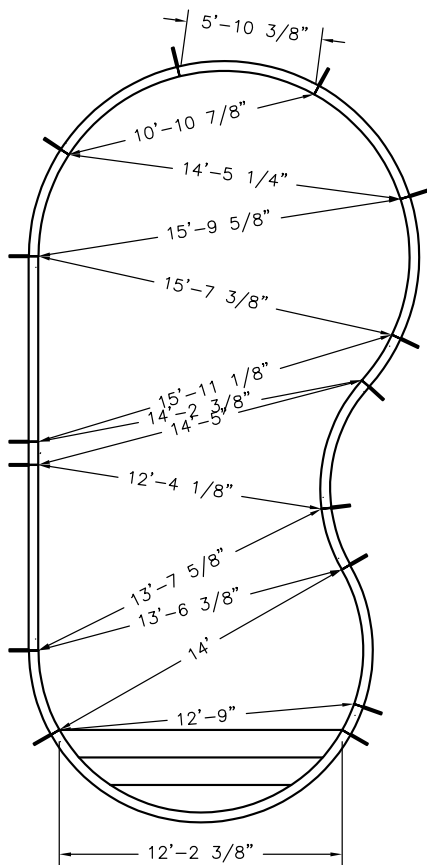
<b>Date:</b> 5/10/2022	<b>Perimeter:</b> 82'-4 7/8"	
<b>Drawn By:</b> JESSE H	<b>Area:</b> 410.3 SQ. FT.	
<b>Scale:</b> 1/8" = 1'-0"	<b>Notes:</b> -----	

This information is the confidential property of Cardinal Systems, Inc. Disclosure or duplication without proper written approval is strictly prohibited. Acceptance and use of this drawing constitutes knowledge and acceptance by the user of the terms and conditions set forth in the notice and warning which accompanied this drawing is incorporated herein and made part hereof and is found on Cardinal Systems, Inc's website at www.CardinalSystemsInc.com



**Pool Size:** 16' X 32'     **Approx Gal:** 13,079  
**Pool Shape:** STRAIGHT WALL KIDNEY  
**Pool Number:** 1632SWK (STEEL)

250 Route 61 South, Schuylkill Haven, PA 17972 • 570-385-4733 • fax: 570-385-1318 • CustomerService@CardinalSystemsinc.com



**Date:** 5/10/2022

**Perimeter:** 82'-4 7/8"

**Drawn By:** JESSE H

**Area:** 410.3 SQ. FT.

**Scale:** 1/8" = 1'-0"

**Notes:** - - - -



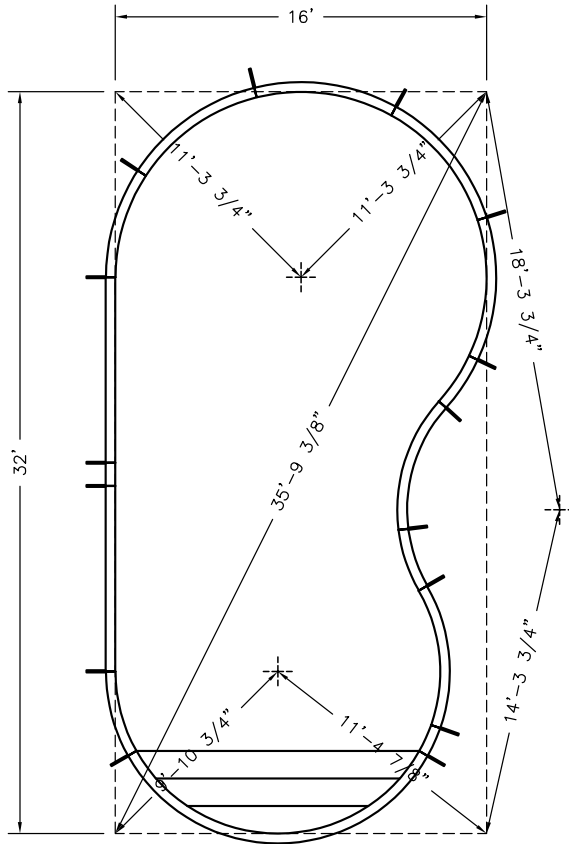
cardinalpools.com

This information is the confidential property of Cardinal Systems, Inc. Disclosure or duplication without proper written approval is strictly prohibited. Acceptance and use of this drawing constitutes knowledge and acceptance by the user of the terms and conditions set forth in the notice and warning which accompanied this drawing is incorporated herein and made part hereof and is found on Cardinal Systems, Inc's website at www.CardinalSystemsInc.com



**Pool Size:** 16' X 32' **Approx Gal:** 13,079  
**Pool Shape:** STRAIGHT WALL KIDNEY  
**Pool Number:** 1632SWK (STEEL)

250 Route 61 South, Schuylkill Haven, PA 17972 • 570-385-4733 • fax: 570-385-1318 • CustomerService@CardinalSystemsinc.com



**Date:** 5/10/2022

**Drawn By:** JESSE H

**Scale:** 1/8" = 1'-0"

**Perimeter:** 82'-4 7/8"

**Area:** 410.3 SQ. FT.

**Notes:** -----



cardinalpools.com

This information is the confidential property of Cardinal Systems, Inc. Disclosure or duplication without proper written approval is strictly prohibited. Acceptance and use of this drawing constitutes knowledge and acceptance by the user of the terms and conditions set forth in the notice and warning which accompanied this drawing is incorporated herein and made part hereof and is found on Cardinal Systems, Inc's website at www.CardinalSystemsInc.com





**Pool Size:** 16' X 32' **Approx Gal:** 13,079  
**Pool Shape:** STRAIGHT WALL KIDNEY  
**Pool Number:** 1632SWK (STEEL)

250 Route 61 South, Schuylkill Haven, PA 17972 • 570-385-4733 • fax: 570-385-1318 • CustomerService@CardinalSystemsinc.com

HOPPER DIG POINTS	E-G	17'-0 3/8"	E-H3	11'-9 5/8"	G-H3	10'-11 5/8"
POINTS	F-G	15'	E-H4	9'-5 1/8"	G-H4	10'-0 3/4"
E-F	E-H1	17'-0 1/8"	G-H1	5'-6"		
	E-H2	17'-9 3/4"	G-H2	5'-6"		
PANEL TO HOPPER POINTS	1-H3	14'-4 3/4"	2-H4	4'-2"	4-H1	20'-8 1/8"
POINTS	1-H4	4'-5 1/2"	3-H1	13'-5"	4-H2	17'-5"
	2-H1	4'-2"	3-H2	2'-6 1/4"	4-H3	9'-6"
1-H1	2-H2	12'-8 3/4"	3-H3	7'-6"	4-H4	14'-6 1/8"
1-H2	2-H3	14'-1 1/4"	3-H4	15'-3"		
PANEL TO PANEL POINTS	1-S1	6'-11"	2-S2	19'-11 1/4"	4-C1	26'-6 1/4"
POINTS	1-S2	14'	3-C1	12'-0 1/2"	4-C2	8'-2 5/8"
	2-C1	14'-1 3/4"	3-C2	24'-1 5/8"	4-H	13'-9 5/8"
1-C1	2-C2	20'-5 3/8"	3-H	23'-7 1/2"	4-I	13'-7 5/8"
1-C2	2-H	13'-11 1/2"	3-I	16'-4 3/8"	4-J	20'-5 1/4"
1-H	2-I	5'-9 7/8"	3-J	15'-7 3/8"	4-K	24'-11 3/8"
1-I	2-J	2'-4 1/4"	3-K	15'-9 5/8"	4-L	26'-9 1/4"
1-J	2-K	7'-11 7/8"	3-L	13'-9 1/2"	4-M	25'-6"
1-K	2-L	12'-6 1/8"	3-M	9'-10 3/8"	4-N	21'-5"
1-L	2-M	15'-3 1/2"	3-N	4'-6 7/8"	4-O	9'
1-M	2-N	15'-11 3/8"	3-O	8'	4-P	8'
1-N	2-O	14'-2 3/8"	3-P	9'	4-S1	13'-6 1/2"
1-O	2-P	14'-5"	3-S1	24'-3 1/4"	4-S2	3'-6 5/8"
1-P	2-S1	15'-1 1/4"	3-S2	20'-5 1/2"		
BOX POINTS	A-H4	21'-0 1/2"	B-S1	28'-7"	D-C1	33'-2 1/4"
POINTS	A-S1	31'-3 3/4"	B-S2	32'-2 3/8"	D-C2	4'-10"
A-B	A-S2	28'-5 3/8"	C-C1	32'-8 1/8"	D-E	9'-10 3/4"
A-C	B-C	32'	C-C2	11'-2 1/8"	D-F	23'-8 3/8"
A-C1	B-C1	6'-11 1/4"	C-D	16'	D-G	25'-3 5/8"
A-C2	B-C2	33'-6 7/8"	C-E	11'-4 7/8"	D-H1	26'-4 7/8"
A-D	B-D	35'-9 3/8"	C-F	14'-3 3/4"	D-H2	24'-4 3/8"
A-E	B-E	26'-6 7/8"	C-G	25'-3 5/8"	D-H3	16'-6"
A-F	B-F	18'-3 3/4"	C-H1	22'-11 1/8"	D-H4	19'-2 3/4"
A-F	B-G	11'-3 3/4"	C-H2	27'-8 7/8"	D-S1	13'-6 7/8"
A-G	B-H1	9'-7 1/8"	C-H3	22'-11 3/4"	D-S2	3'-8 1/8"
A-H1	B-H2	15'-6 7/8"	C-H4	15'-4"		
A-H2	B-H3	22'-3 3/8"	C-S1	4'-7 1/8"		
A-H3	B-H4	17'-6 5/8"	C-S2	15'-6 1/8"		

**Date:** 5/10/2022

**Perimeter:** 82'-4 7/8"

**Drawn By:** JESSE H

**Area:** 410.3 SQ. FT.

**Scale:** 1/8" = 1'-0"

**Notes:** - - - -



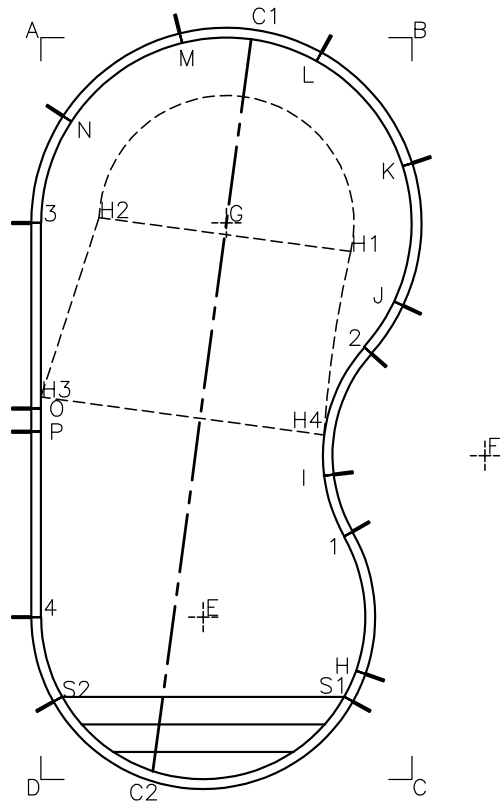
cardinalpools.com


This information is the confidential property of Cardinal Systems, Inc. Disclosure or duplication without proper written approval is strictly prohibited. Acceptance and use of this drawing constitutes knowledge and acceptance by the user of the terms and conditions set forth in the notice and warning which accompanied this drawing is incorporated herein and made part hereof and is found on Cardinal Systems, Inc's website at www.CardinalSystemsInc.com



**Pool Size:** 16' X 32' **Approx Gal:** 13,079  
**Pool Shape:** STRAIGHT WALL KIDNEY  
**Pool Number:** 1632SWK (STEEL)

250 Route 61 South, Schuylkill Haven, PA 17972 • 570-385-4733 • fax: 570-385-1318 • CustomerService@CardinalSystemsinc.com



<b>Date:</b> 5/10/2022	<b>Perimeter:</b> 82' - 4 7/8"	 cardinalpools.com
<b>Drawn By:</b> JESSE H	<b>Area:</b> 410.3 SQ. FT.	
<b>Scale:</b> 1/8" = 1'-0"	<b>Notes:</b> - - - -	

This information is the confidential property of Cardinal Systems, Inc. Disclosure or duplication without proper written approval is strictly prohibited. Acceptance and use of this drawing constitutes knowledge and acceptance by the user of the terms and conditions set forth in the notice and warning which accompanied this drawing is incorporated herein and made part hereof and is found on Cardinal Systems, Inc's website at www.CardinalSystemsInc.com

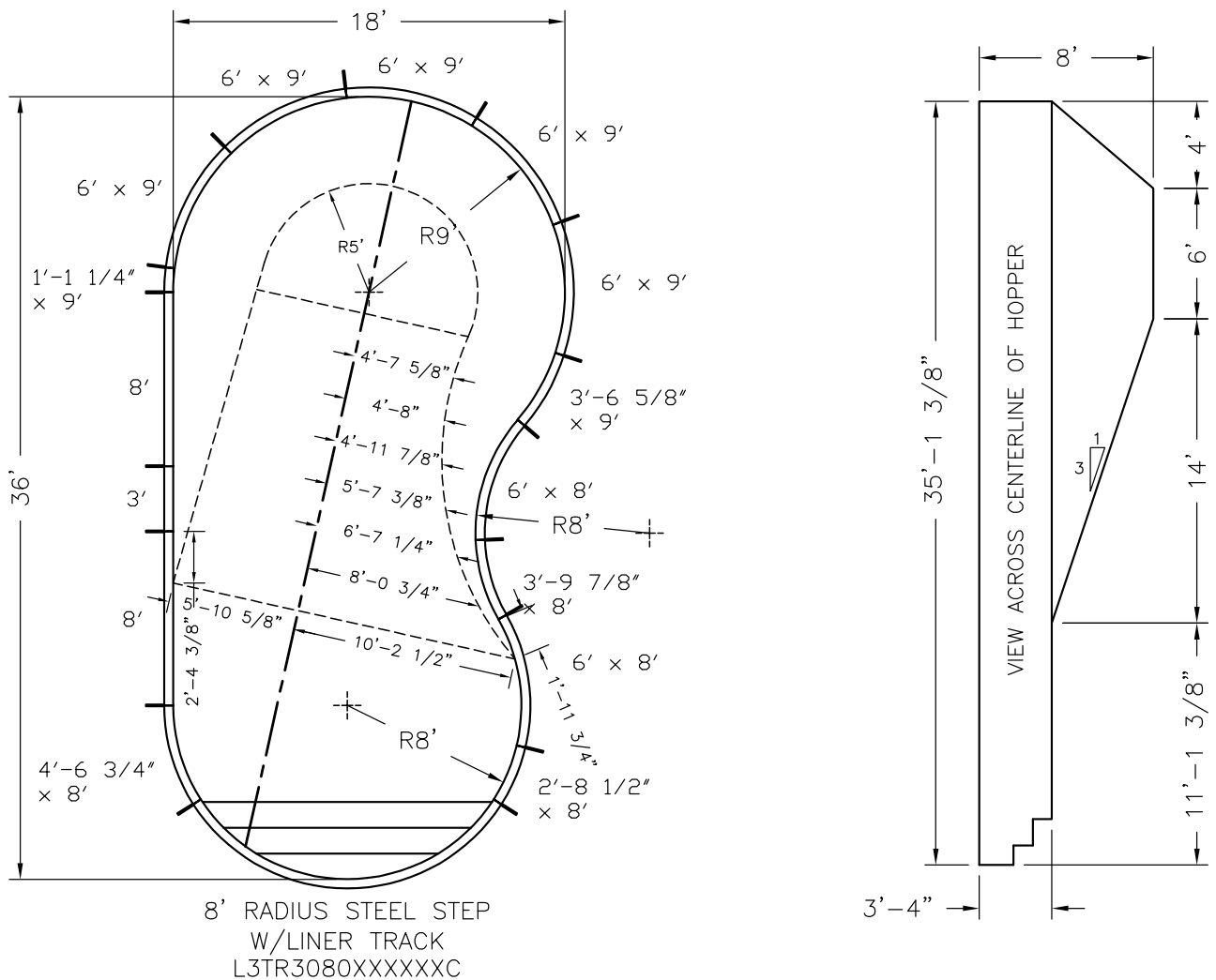


**Pool Size:** 18' X 36' **Approx Gal:** 19,039  
**Pool Shape:** STRAIGHT WALL KIDNEY  
**Pool Number:** 1836SWK (STEEL)

250 Route 61 South, Schuylkill Haven, PA 17972 • 570-385-4733 • fax: 570-385-1318 • CustomerService@CardinalSystemsinc.com

### Bill of Materials

PART NO.	QUANTITY	DESCRIPTION
"A" FRAME	16	"A" FRAME ASSEMBLY
L3TR3080XXXXXXC	1	8' RADIUS STEEL STEP W/LINER TRACK
5C42112XX09000	1	1'-1 1/4" x 9' Radius C PANEL W/0 Z
5C42284XX08000	1	2'-8 1/2" x 8' Radius C PANEL W/0 Z
5C42365XX09000	1	3'-6 5/8" x 9' Radius C PANEL W/0 Z
5C42466XX08000	1	4'-6 3/4" x 8' Radius C PANEL W/0 Z
5C42600XX08000	1	6' x 8' Radius C PANEL W/0 Z
5C42600XX09000	5	6' x 9' Radius C PANEL W/0 Z
5R42397XX08000	1	3'-9 7/8" x 8' Radius R PANEL W/0 Z
5R42600XX08000	1	6' x 8' Radius R PANEL W/0 Z
5S42300XXX0	1	3' Straight PANEL W/0 Z
5S42800XXX2	2	8' Straight PANEL W/2 Z



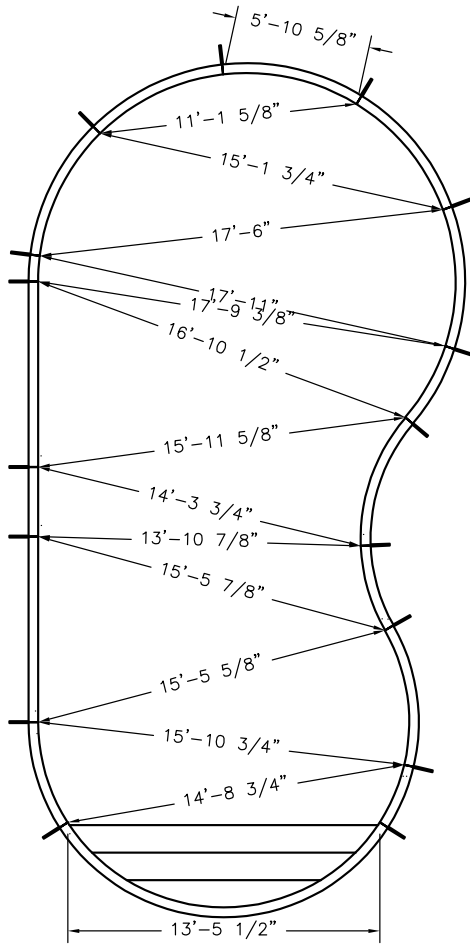
<b>Date:</b> 5/10/2022	<b>Perimeter:</b> 92'-9 1/8"	
<b>Drawn By:</b> JESSE H	<b>Area:</b> 523.4 SQ. FT.	
<b>Scale:</b> 1/8" = 1'-0"	<b>Notes:</b> - - - -	

This information is the confidential property of Cardinal Systems, Inc. Disclosure or duplication without proper written approval is strictly prohibited. Acceptance and use of this drawing constitutes knowledge and acceptance by the user of the terms and conditions set forth in the notice and warning which accompanied this drawing is incorporated herein and made part hereof and is found on Cardinal Systems, Inc's website at www.CardinalSystemsInc.com



**Pool Size:** 18' X 36' **Approx Gal:** 19,039  
**Pool Shape:** STRAIGHT WALL KIDNEY  
**Pool Number:** 1836SWK (STEEL)

250 Route 61 South, Schuylkill Haven, PA 17972 • 570-385-4733 • fax: 570-385-1318 • CustomerService@CardinalSystemsinc.com



**Date:** 5/10/2022

**Drawn By:** JESSE H

**Scale:** 1/8" = 1'-0"

**Perimeter:** 92'-9 1/8"

**Area:** 523.4 SQ. FT.

**Notes:** - - - -



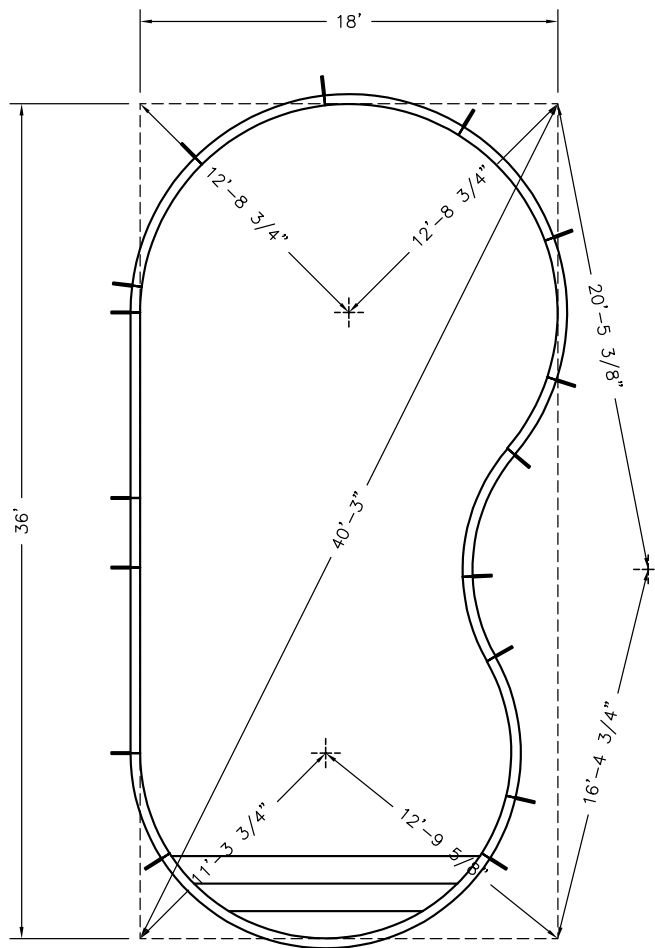
cardinalpools.com


This information is the confidential property of Cardinal Systems, Inc. Disclosure or duplication without proper written approval is strictly prohibited. Acceptance and use of this drawing constitutes knowledge and acceptance by the user of the terms and conditions set forth in the notice and warning which accompanied this drawing is incorporated herein and made part hereof and is found on Cardinal Systems, Inc's website at www.CardinalSystemsInc.com



**Pool Size:** 18' X 36' **Approx Gal:** 19,039  
**Pool Shape:** STRAIGHT WALL KIDNEY  
**Pool Number:** 1836SWK (STEEL)

250 Route 61 South, Schuylkill Haven, PA 17972 • 570-385-4733 • fax: 570-385-1318 • CustomerService@CardinalSystemsinc.com



<b>Date:</b> 5/10/2022	<b>Perimeter:</b> 92' - 9 1/8"	 cardinalpools.com
<b>Drawn By:</b> JESSE H	<b>Area:</b> 523.4 SQ. FT.	
<b>Scale:</b> 1/8" = 1'-0"	<b>Notes:</b> - - - -	

This information is the confidential property of Cardinal Systems, Inc. Disclosure or duplication without proper written approval is strictly prohibited. Acceptance and use of this drawing constitutes knowledge and acceptance by the user of the terms and conditions set forth in the notice and warning which accompanied this drawing is incorporated herein and made part hereof and is found on Cardinal Systems, Inc's website at www.CardinalSystemsInc.com



**Pool Size:** 18' X 36' **Approx Gal:** 19,039  
**Pool Shape:** STRAIGHT WALL KIDNEY  
**Pool Number:** 1836SWK (STEEL)

250 Route 61 South, Schuylkill Haven, PA 17972 • 570-385-4733 • fax: 570-385-1318 • CustomerService@CardinalSystemsInc.com

HOPPER DIG POINTS		E-G	16'	E-H3	19'-6 7/8"	F-H2	5'
POINTS	DISTANCE	F-G	17'	E-H4	9'-9 3/8"	F-H3	5'-2"
E-F	19'-0 3/8"	E-H1	17'-10 1/4"	E-H5	8'	F-H4	16'-1 3/8"
		E-H2	20'-8 5/8"	F-H1	5'	F-H5	18'-1 3/4"
PANEL TO HOPPER POINTS		1-H4	5'-7 5/8"	2-H5	23'-0 1/2"	4-H1	13'-0 7/8"
POINTS	DISTANCE	1-H5	15'-10 1/4"	3-H1	4'-5 1/4"	4-H2	19'-7 3/8"
1-H1	21'-8 5/8"	2-H1	13'-8 5/8"	3-H2	13'-8 3/8"	4-H3	18'-9 5/8"
1-H2	20'-9 1/2"	2-H2	4'-4 7/8"	3-H3	13'-4 7/8"	4-H4	15'-0 1/2"
1-H3	19'-6 1/8"	2-H3	3'-10 1/8"	3-H4	17'-6 1/4"	4-H5	1'-11 3/4"
		2-H4	13'-4 3/8"	3-H5	11'		
PANEL TO PANEL POINTS		1-S1	4'-6"	2-S2	27'-7"	4-C1	24'-1 7/8"
POINTS	DISTANCE	1-S2	15'-4 1/4"	3-C1	15'-5 1/4"	4-C2	15'-7 5/8"
1-C1	29'-10 3/8"	2-C1	14'-0 1/2"	3-C2	23'-3 1/4"	4-H	15'-5 7/8"
1-C2	7'-3 5/8"	2-C2	25'-8 1/2"	3-H	16'-7 3/4"	4-I	16'-6 1/4"
1-H	8'	2-H	11'	3-I	15'-11 5/8"	4-J	21'-11 1/2"
1-I	11'	2-I	8'	3-J	17'-2 3/4"	4-K	24'-8 3/8"
1-J	20'-1 1/4"	2-J	1'-1 1/4"	3-K	17'-11 7/8"	4-L	24'-11 5/8"
1-K	25'-6 3/8"	2-K	6'-11 1/8"	3-L	16'-9 1/8"	4-M	22'-8 3/4"
1-L	29'-0 5/8"	2-L	11'-11 3/4"	3-M	13'-8 1/4"	4-N	18'-3 3/4"
1-M	29'-11 7/8"	2-M	15'-8 5/8"	3-N	9'-1 3/8"	4-O	12'-6 1/4"
1-N	28'-1 7/8"	2-N	17'-8 5/8"	3-O	3'-6 3/8"	4-P	3'-9 3/8"
1-O	23'-10 3/4"	2-O	17'-9 3/8"	3-P	5'-10 3/8"	4-Q	5'-10 3/8"
1-P	15'-10 1/8"	2-P	17'-11 3/4"	3-Q	14'-11 3/4"	4-S1	15'-11 7/8"
1-Q	15'-10 3/4"	2-Q	26'-1 3/4"	3-S1	22'-8 7/8"	4-S2	8'-3 1/2"
		2-S1	23'-4 1/4"	3-S2	17'-5 7/8"		
BOX POINTS		A-H5	30'-3 1/8"	B-S1	36'-4 3/4"	D-C1	37'-5 1/8"
POINTS	DISTANCE	A-S1	32'-4 1/8"	B-S2	32'-5 7/8"	D-C2	3'-7 7/8"
A-B	18'	A-S2	35'-6 1/4"	C-C1	36'-5 5/8"	D-E	11'-3 3/4"
A-C	40'-3"	B-C	36'	C-C2	14'-9"	D-F	28'-5 1/2"
A-C1	10'-11 1/2"	B-C1	7'-0 5/8"	C-D	18'	D-G	27'-0 7/8"
A-C2	34'-7 7/8"	B-C2	37'-5 7/8"	C-E	12'-9 5/8"	D-H1	28'-4 7/8"
A-D	36'	B-D	40'-3"	C-F	28'-5 1/2"	D-H2	28'-8 1/8"
A-E	29'-1 1/2"	B-E	29'-8 3/4"	C-G	16'-4 3/4"	D-H3	27'-4 3/4"
A-F	12'-8 3/4"	B-F	12'-8 3/4"	C-H1	25'-4 1/4"	D-H4	13'-7 5/8"
A-G	29'-8 1/2"	B-G	20'-5 3/8"	C-H2	31'-6 5/8"	D-H5	18'-8 3/8"
A-H1	17'-5 7/8"	B-H1	11'-10 3/4"	C-H3	30'-7 1/4"	D-S1	3'-10 5/8"
A-H2	8'-8 1/2"	B-H2	15'-9 3/8"	C-H4	22'-7"	D-S2	15'-2 1/4"
A-H3	9'-8"	B-H3	16'-8 5/8"	C-H5	10'-4 3/4"		
A-H4	22'-4 3/8"	B-H4	28'-8 1/2"	C-S1	17'-1 5/8"		
		B-H5	25'-11 1/2"	C-S2	4'-11"		

Date: 5/10/2022

Perimeter: 92'-9 1/8"

Drawn By: JESSE H

Area: 523.4 SQ. FT.

Scale: 1/8" = 1'-0"

Notes: - - - -



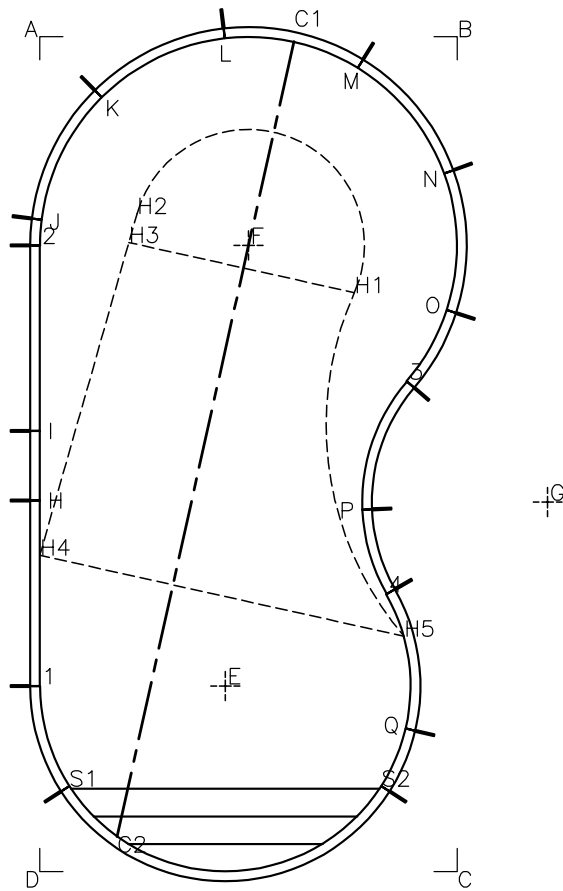
CardinalSystemsInc.com

This information is the confidential property of Cardinal Systems, Inc. Disclosure or duplication without proper written approval is strictly prohibited. Acceptance and use of this drawing constitutes knowledge and acceptance by the user of the terms and conditions set forth in the notice and warning which accompanied this drawing. It is incorporated herein and made part hereof and is found on Cardinal Systems, Inc's website at www.CardinalSystemsInc.com



**Pool Size:** 18' X 36' **Approx Gal:** 19,039  
**Pool Shape:** STRAIGHT WALL KIDNEY  
**Pool Number:** 1836SWK (STEEL)

250 Route 61 South, Schuylkill Haven, PA 17972 • 570-385-4733 • fax: 570-385-1318 • CustomerService@CardinalSystemsinc.com



**Date:** 5/10/2022

**Perimeter:** 92' - 9 1/8"

**Drawn By:** JESSE H

**Area:** 523.4 SQ. FT.

**Scale:** 1/8" = 1'-0"

**Notes:** - - - -



CardinalSystemsinc.com

This information is the confidential property of Cardinal Systems, Inc. Disclosure or duplication without proper written approval is strictly prohibited. Acceptance and use of this drawing constitutes knowledge and acceptance by the user of the terms and conditions set forth in the notice and warning which accompanied this drawing is incorporated herein and made part hereof and is found on Cardinal Systems, Inc's website at [www.CardinalSystemsInc.com](http://www.CardinalSystemsInc.com)

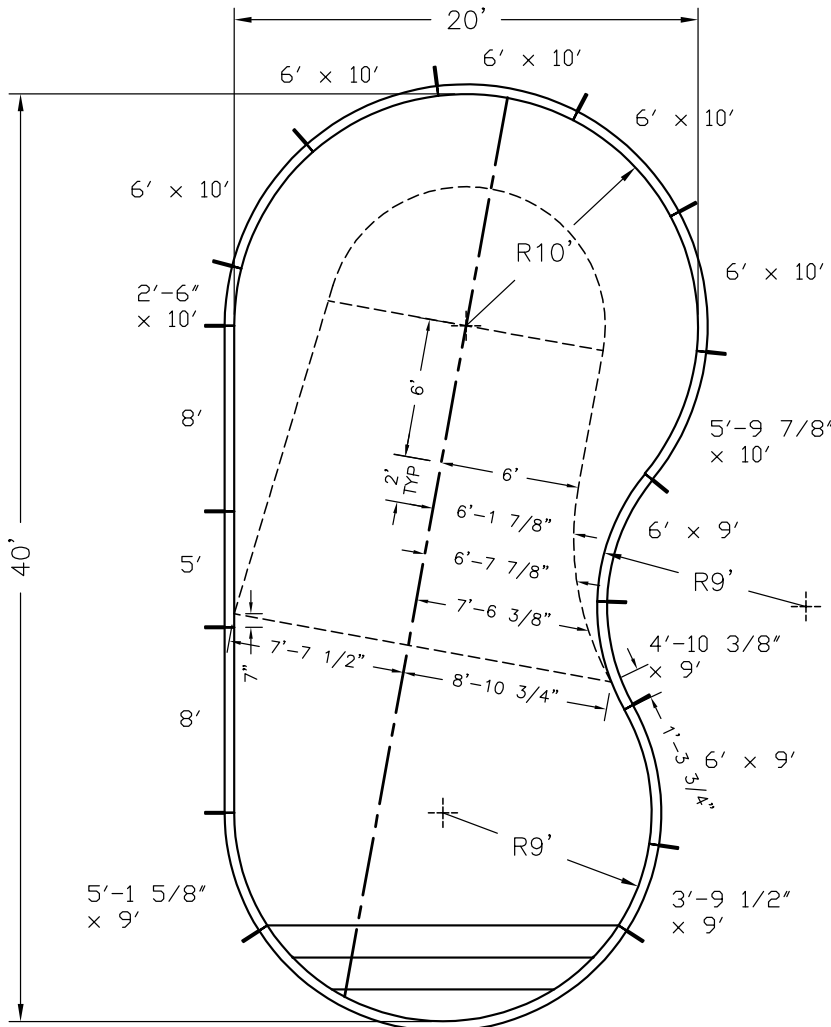


**Pool Size:** 20' X 40' **Approx Gal:** 23,652  
**Pool Shape:** STRAIGHT WALL KIDNEY  
**Pool Number:** 2040SWK (STEEL)

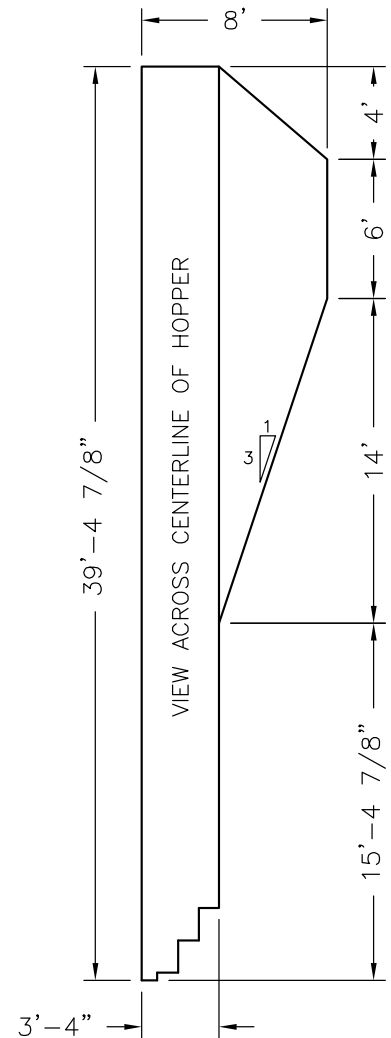
250 Route 61 South, Schuylkill Haven, PA 17972 • 570-385-4733 • fax: 570-385-1318 • CustomerService@CardinalSystemsinc.com

### Bill of Materials

PART NO.	QUANTITY	DESCRIPTION
"A" FRAME	16	"A" FRAME ASSEMBLY
L3TR3090XXXXXXC	1	9' RADIUS STEEL STEP W/LINER TRACK
5C42260XX10000	1	2'-6" x 10' Radius C PANEL W/O Z
5C42394XX09000	1	3'-9 1/2" x 9' Radius C PANEL W/O Z
5C42515XX09000	1	5'-1 5/8" x 9' Radius C PANEL W/O Z
5C42597XX10000	1	5'-9 7/8" x 10' Radius C PANEL W/O Z
5C42600XX09000	1	6' x 9' Radius C PANEL W/O Z
5C42600XX10000	5	6' x 10' Radius C PANEL W/O Z
5R424T3XX09000	1	4'-10 3/8" x 9' Radius R PANEL W/O Z
5R42600XX09000	1	6' x 9' Radius R PANEL W/O Z
5S42500XXX0	1	5' Straight PANEL W/O Z
5S42800XXX2	2	8' Straight PANEL W/O Z



9' RADIUS STEEL STEP  
W/LINER TRACK  
L3TR3090XXXXXXC



Date: 5/10/2022

Perimeter: 103'-1 3/8"

Drawn By: JESSE H

Area: 650.2 SQ. FT.

Scale: 1/8" = 1'-0"

Notes: -----



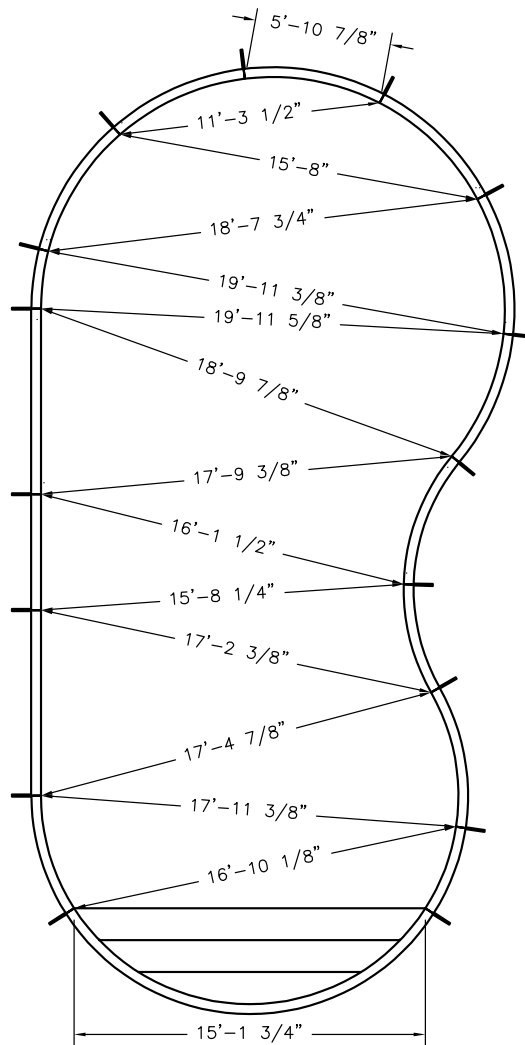
cardinalpools.com






**Pool Size:** 20' X 40'      **Approx Gal:** 23,652  
**Pool Shape:** STRAIGHT WALL KIDNEY  
**Pool Number:** 2040SWK (STEEL)

250 Route 61 South, Schuylkill Haven, PA 17972 • 570-385-4733 • fax: 570-385-1318 • CustomerService@CardinalSystemsInc.com



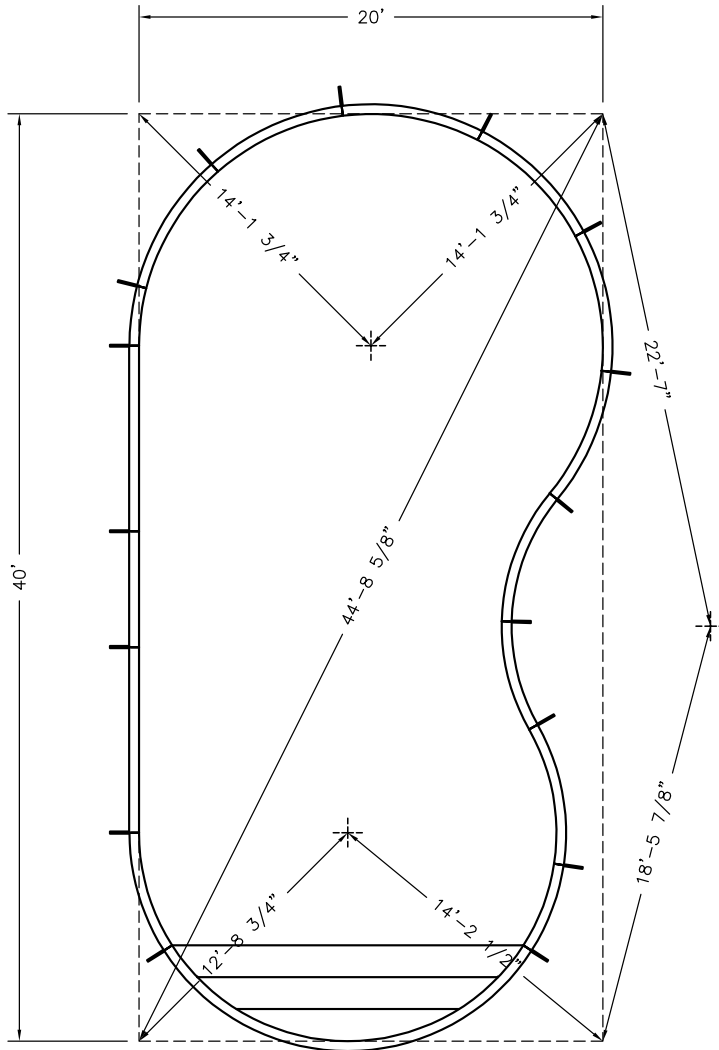
<b>Date:</b> 5/10/2022	<b>Perimeter:</b> 103'-1 3/8"	 cardinalpools.com
<b>Drawn By:</b> JESSE H	<b>Area:</b> 650.2 SQ. FT.	
<b>Scale:</b> 1/8" = 1'-0"	<b>Notes:</b> - - - -	

This information is the confidential property of Cardinal Systems, Inc. Disclosure or duplication without proper written approval is strictly prohibited. Acceptance and use of this drawing constitutes knowledge and acceptance by the user of the terms and conditions set forth in the notice and warning which accompanied this drawing is incorporated herein and made part hereof and is found on Cardinal Systems, Inc's website at www.CardinalSystemsInc.com



**Pool Size:** 20' X 40' **Approx Gal:** 23,652  
**Pool Shape:** STRAIGHT WALL KIDNEY  
**Pool Number:** 2040SWK (STEEL)

250 Route 61 South, Schuylkill Haven, PA 17972 • 570-385-4733 • fax: 570-385-1318 • CustomerService@CardinalSystemsinc.com



**Date:** 5/10/2022

**Drawn By:** JESSE H

**Scale:** 1/8" = 1'-0"

**Perimeter:** 103'-1 3/8"

**Area:** 650.2 SQ. FT.

**Notes:** -----



cardinalpools.com

This information is the confidential property of Cardinal Systems, Inc. Disclosure or duplication without proper written approval is strictly prohibited. Acceptance and use of this drawing constitutes knowledge and acceptance by the user of the terms and conditions set forth in the notice and warning which accompanied this drawing is incorporated herein and made part hereof and is found on Cardinal Systems, Inc's website at www.CardinalSystemsInc.com



**Pool Size:** 20' X 40' **Approx Gal:** 23,652  
**Pool Shape:** STRAIGHT WALL KIDNEY  
**Pool Number:** 2040SWK (STEEL)

250 Route 61 South, Schuylkill Haven, PA 17972 • 570-385-4733 • fax: 570-385-1318 • CustomerService@CardinalSystemsInc.com

HOPPER DIG POINTS		F-G	19'	E-H5	9'-2 1/4"	G-H4	15'-11 3/8"
POINTS	DISTANCE	E-H1	21'-1 1/8"	E-H6	15'-2 1/4"	G-H5	16'-7"
		E-H2	23'-2 5/8"	G-H1	6'	G-H6	8'-5 7/8"
E-F	18'	E-H3	22'-7 1/2"	G-H2	6'		
E-G	21'-0 1/4"	E-H4	12'-5 1/4"	G-H3	6'-0 1/2"		
PANEL TO HOPPER POINTS		1-H5	1'-3 3/4"	2-H6	2'-11 1/4"	4-H1	25'-6"
POINTS	DISTANCE	1-H6	9'-9 3/8"	3-H1	15'-11 1/4"	4-H2	23'-1 1/2"
		2-H1	5'-7 1/4"	3-H2	4'-7 1/8"	4-H3	22'-5 3/8"
1-H1	15'-6 1/8"	2-H2	15'-8 1/2"	3-H3	4'-2 3/8"	4-H4	8'-7"
1-H2	22'-2 1/4"	2-H3	15'-6 5/8"	3-H4	12'-5"	4-H5	17'-2 1/2"
1-H3	21'-9 1/8"	2-H4	18'-8 1/2"	3-H5	22'-4 3/8"	4-H6	20'-5"
1-H4	17'-3 7/8"	2-H5	9'-1 1/4"	3-H6	16'-4 3/4"		
PANEL TO PANEL POINTS		1-S1	9'-3 3/4"	2-S2	25'-4 3/4"	4-C1	33'-0 1/8"
POINTS	DISTANCE	1-S2	17'-11 7/8"	3-C1	15'-4 1/4"	4-C2	9'-3"
		2-C1	17'-3 1/8"	3-C2	29'-3 7/8"	4-H	17'-11 3/8"
1-C1	26'-10 3/8"	2-C2	26'-0 1/4"	3-H	28'-7 1/2"	4-I	18'-1 3/8"
1-C2	17'-3 1/2"	2-H	15'-11 5/8"	3-I	19'-7 7/8"	4-J	28'-2 1/4"
1-H	5'-10 5/8"	2-I	5'-10 5/8"	3-J	19'-11 5/8"	4-K	31'-10 3/8"
1-I	4'-9 3/4"	2-J	5'-8 7/8"	3-K	19'-4 3/4"	4-L	33'-3"
1-J	15'-9 3/8"	2-K	11'-1 3/4"	3-L	17'-1 1/8"	4-M	32'-1 7/8"
1-K	21'-4 3/8"	2-L	15'-6 5/8"	3-M	13'-3 1/8"	4-N	28'-8 5/8"
1-L	25'-6 1/4"	2-M	18'-6 7/8"	3-N	8'-3"	4-O	23'-5 3/4"
1-M	27'-8"	2-N	19'-11 1/4"	3-O	2'-5 7/8"	4-P	13'
1-N	27'-6 5/8"	2-O	19'-6 1/4"	3-P	8'	4-Q	8'
1-O	25'-2 1/4"	2-P	17'-9 3/8"	3-Q	13'	4-S1	17'-3 1/4"
1-P	18'-10 1/2"	2-Q	18'-10 7/8"	3-S1	30'-8 5/8"	4-S2	5'-0 7/8"
1-Q	17'-2 3/8"	2-S1	19'-6 3/8"	3-S2	25'-10 7/8"		
BOX POINTS		A-H6	22'-6 1/2"	B-S1	36'-0 3/8"	D-C1	41'-6 1/2"
POINTS	DISTANCE	A-S1	39'-6 1/8"	B-S2	40'-4 5/8"	D-C2	4'-10 1/2"
		A-S2	35'-10 3/4"	C-C1	40'-8 1/8"	D-E	12'-8 3/4"
A-B	20'	B-C	40'	C-C2	15'-3 3/8"	D-F	30'-5 1/2"
A-C	44'-8 5/8"	B-C1	8'-2 5/8"	C-D	20'	D-G	31'-7 1/2"
A-C1	11'-9 3/8"	B-C2	41'-9 3/4"	C-E	14'-2 1/2"	D-H1	33'-0 1/8"
A-C2	39'-2 3/4"	B-D	44'-8 5/8"	C-F	18'-5 7/8"	D-H2	32'-0 1/8"
A-D	40'	B-E	32'-10 3/4"	C-G	31'-7 1/2"	D-H3	31'-4 1/8"
A-E	32'-3 3/8"	B-F	22'-7"	C-H1	29'-2 5/8"	D-H4	17'-7"
A-F	33'-1 1/4"	B-G	14'-1 3/4"	C-H2	35'-5"	D-H5	21'-10 1/2"
A-G	14'-1 3/4"	B-H1	11'-9 5/8"	C-H3	34'-11 1/8"	D-H6	27'-4 3/4"
A-H1	19'-4 1/2"	B-H2	17'-9 3/8"	C-H4	26'-7 5/8"	D-S1	17'-1"
A-H2	9'-3 5/8"	B-H3	18'-3 1/4"	C-H5	15'-1 3/8"	D-S2	4'-4 1/2"
A-H3	9'-9 5/8"	B-H4	30'-0 1/2"	C-H6	23'-7 1/4"		
A-H4	22'-5"	B-H5	25'-7 5/8"	C-S1	5'-4 1/2"		
A-H5	30'-1 1/2"	B-H6	17'-8 7/8"	C-S2	19'-0 3/8"		

**Date:** 5/10/2022

**Perimeter:** 103'-1 3/8"

**Drawn By:** JESSE H

**Area:** 650.2 SQ. FT.

**Scale:** 1/8" = 1'-0"

**Notes:** - - - -



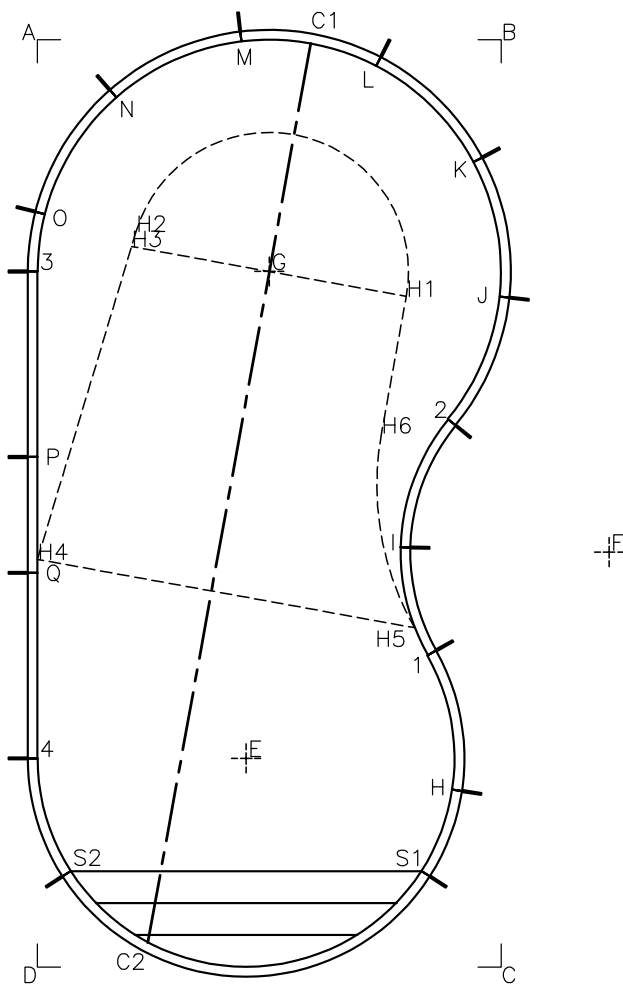
cardinalpools.com

This information is the confidential property of Cardinal Systems, Inc. Disclosure or duplication without proper written approval is strictly prohibited. Acceptance and use of this drawing constitutes knowledge and acceptance by the user of the terms and conditions set forth in the notice and warning which accompanied this drawing is incorporated herein and made part hereof and is found on Cardinal Systems, Inc's website at www.CardinalSystemsInc.com



**Pool Size:** 20' X 40' **Approx Gal:** 23,652  
**Pool Shape:** STRAIGHT WALL KIDNEY  
**Pool Number:** 2040SWK (STEEL)

250 Route 61 South, Schuylkill Haven, PA 17972 • 570-385-4733 • fax: 570-385-1318 • CustomerService@CardinalSystemsinc.com



**Date:** 5/10/2022

**Drawn By:** JESSE H

**Scale:** 1/8" = 1'-0"

**Perimeter:** 103'-1 3/8"

**Area:** 650.2 SQ. FT.

**Notes:** -----



cardinalpools.com

This information is the confidential property of Cardinal Systems, Inc. Disclosure or duplication without proper written approval is strictly prohibited. Acceptance and use of this drawing constitutes knowledge and acceptance by the user of the terms and conditions set forth in the notice and warning which accompanied this drawing is incorporated herein and made part hereof and is found on Cardinal Systems, Inc's website at www.CardinalSystemsInc.com

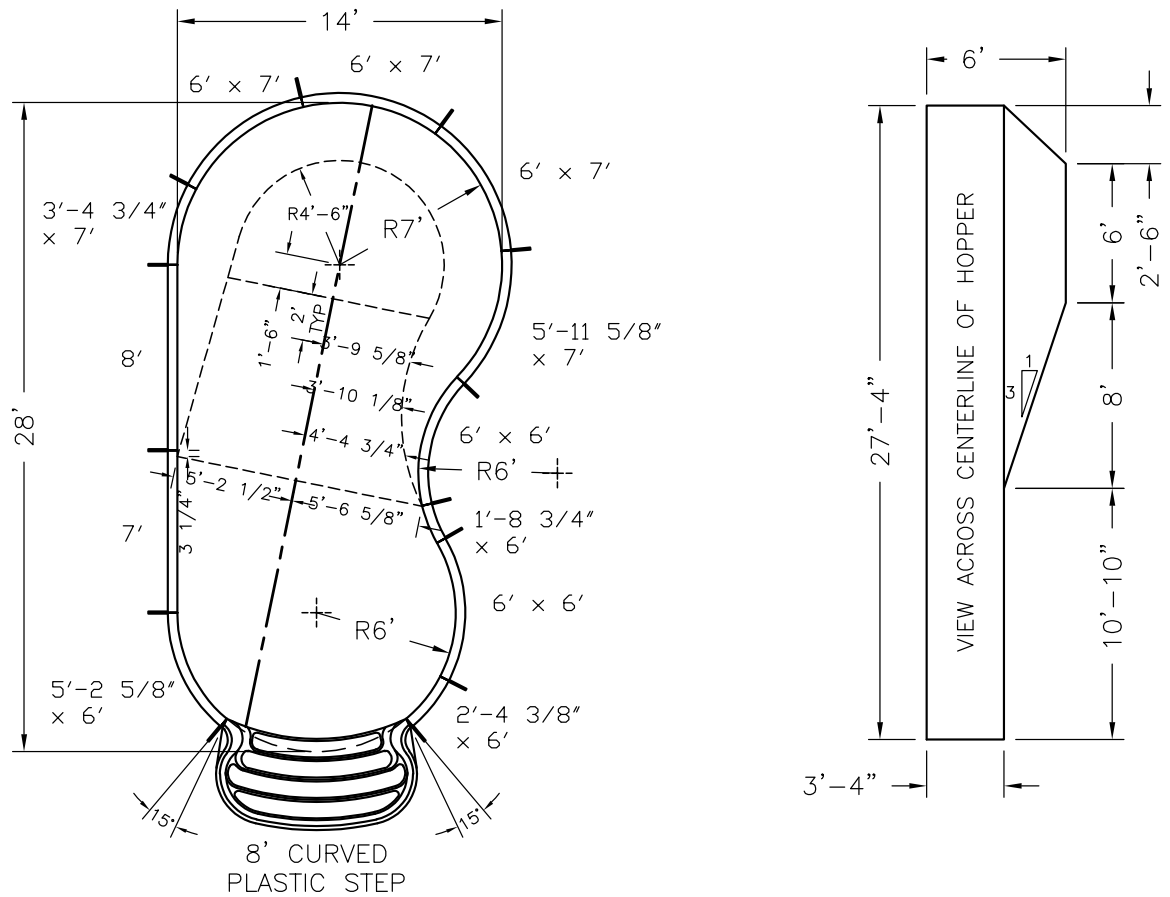


**Pool Size:** 14' X 28' **Approx Gal:** 9,815  
**Pool Shape:** STRAIGHT WALL KIDNEY  
**Pool Number:** 1428SWK (PLASTIC)

250 Route 61 South, Schuylkill Haven, PA 17972 • 570-385-4733 • fax: 570-385-1318 • CustomerService@CardinalSystemsinc.com

### Bill of Materials

PART NO.	QUANTITY	DESCRIPTION
"A" FRAME	13	"A" FRAME ASSEMBLY
CS900GS-15	2	15° STEP ANGLE
5C42243XX06000	1	2'-4 3/8" x 6' Radius C PANEL W/0 Z
5C42346XX07000	1	3'-4 3/4" x 7' Radius C PANEL W/0 Z
5C42525XX06000	1	5'-2 5/8" x 6' Radius C PANEL W/0 Z
5C425E5XX07000	1	5'-11 5/8" x 7' Radius C PANEL W/0 Z
5C42600XX06000	1	6' x 6' Radius C PANEL W/0 Z
5C42600XX07000	3	6' x 7' Radius C PANEL W/0 Z
5R42186XX06000	1	1'-8 3/4" x 6' Radius R PANEL W/0 Z
5R42600XX06000	1	6' x 6' Radius R PANEL W/0 Z
5S42700XXX2	1	7' Straight PANEL W/2 Z
5S42800XXX2	1	8' Straight PANEL W/2 Z



NOTE: THIS IS A NON DIVING POOL.

**Date:** 5/10/2022

**Perimeter:** 71'-7 7/8"

**Drawn By:** JESSE H

**Area:** 307.9 SQ. FT.

**Scale:** 1/8" = 1'-0"

**Notes:** - - - -

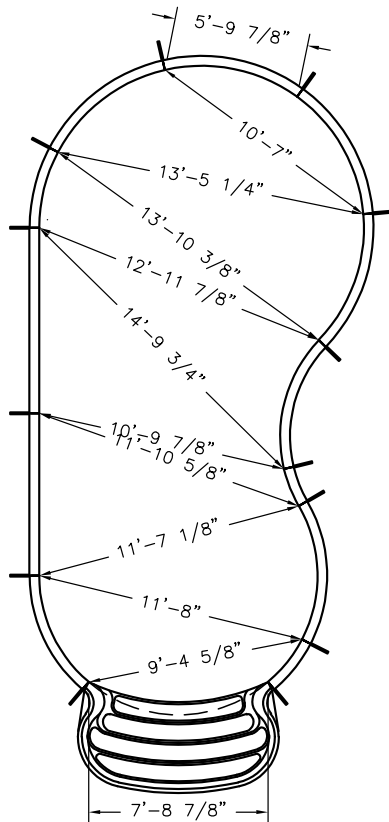


This information is the confidential property of Cardinal Systems, Inc. Disclosure or duplication without proper written approval is strictly prohibited. Acceptance and use of this drawing constitutes knowledge and acceptance by the user of the terms and conditions set forth in the notice and warning which accompanied this drawing is incorporated herein and made part hereof and is found on Cardinal Systems, Inc's website at www.CardinalSystemsInc.com



**Pool Size:** 14' X 28'      **Approx Gal:** 9,815  
**Pool Shape:** STRAIGHT WALL KIDNEY  
**Pool Number:** 1428SWK (PLASTIC)

250 Route 61 South, Schuylkill Haven, PA 17972 • 570-385-4733 • fax: 570-385-1318 • CustomerService@CardinalSystemsinc.com



**Date:** 5/10/2022

**Perimeter:** 71'-7 7/8"

**Drawn By:** JESSE H

**Area:** 307.9 SQ. FT.

**Scale:** 1/8" = 1'-0"

**Notes:** -----



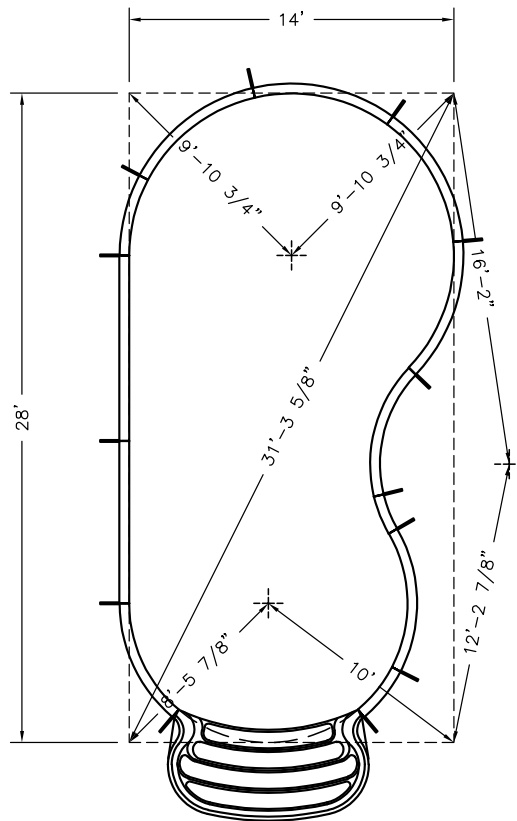
cardinalpools.com

This information is the confidential property of Cardinal Systems, Inc. Disclosure or duplication without proper written approval is strictly prohibited. Acceptance and use of this drawing constitutes knowledge and acceptance by the user of the terms and conditions set forth in the notice and warning which accompanied this drawing is incorporated herein and made part hereof and is found on Cardinal Systems, Inc's website at www.CardinalSystemsInc.com



**Pool Size:** 14' X 28'      **Approx Gal:** 9,815  
**Pool Shape:** STRAIGHT WALL KIDNEY  
**Pool Number:** 1428SWK (PLASTIC)

250 Route 61 South, Schuylkill Haven, PA 17972 • 570-385-4733 • fax: 570-385-1318 • CustomerService@CardinalSystemsinc.com



**Date:** 5/10/2022

**Perimeter:** 71'-7 7/8"

**Drawn By:** JESSE H

**Area:** 307.9 SQ. FT.

**Scale:** 1/8" = 1'-0"

**Notes:** - - - -




This information is the confidential property of Cardinal Systems, Inc. Disclosure or duplication without proper written approval is strictly prohibited. Acceptance and use of this drawing constitutes knowledge and acceptance by the user of the terms and conditions set forth in the notice and warning which accompanied this drawing is incorporated herein and made part hereof and is found on Cardinal Systems, Inc's website at www.CardinalSystemsInc.com



**Pool Size:** 14' X 28' **Approx Gal:** 9,815  
**Pool Shape:** STRAIGHT WALL KIDNEY  
**Pool Number:** 1428SWK (PLASTIC)

250 Route 61 South, Schuylkill Haven, PA 17972 • 570-385-4733 • fax: 570-385-1318 • CustomerService@CardinalSystemsinc.com

HOPPER DIG POINTS		E-G	12'	E-H3	14'-11 3/8"	F-H2	4'-6"
POINTS	DISTANCE	F-G	13'	E-H4	9'-0 1/4"	F-H3	4'-10 3/8"
		E-H1	13'-7"	E-H5	6'-5 5/8"	F-H4	10'-10"
E-F	15'-0 3/8"	E-H2	16'-6 5/8"	F-H1	4'-6"	F-H5	11'-0 1/8"
PANEL TO HOPPER POINTS		1-H4	6'-8 3/4"	2-H5	14'-10"	4-H1	9'-8 1/4"
POINTS	DISTANCE	1-H5	11'-6 1/8"	3-H1	2'-9 1/2"	4-H2	15'-8 3/4"
		2-H1	11'-1 1/4"	3-H2	11'-2 1/8"	4-H3	14'-6 7/8"
1-H1	16'-8 3/8"	2-H2	2'-11 1/4"	3-H3	10'-9 3/8"	4-H4	11'-9 5/8"
1-H2	16'-5 1/4"	2-H3	2'-2 7/8"	3-H4	12'-6 3/8"	4-H5	1'-8 3/8"
1-H3	14'-7 3/8"	2-H4	8'-3 1/4"	3-H5	5'-9 1/4"		
PANEL TO PANEL POINTS		1-S1	5'-0 5/8"	2-S2	21'-11 1/8"	4-C1	19'-0 3/4"
POINTS	DISTANCE	1-S2	10'-10 5/8"	3-C1	12'-3 1/8"	4-C2	11'-5 1/4"
		2-C1	10'-10 1/8"	3-C2	17'-7 1/2"	4-H	5'-9"
1-C1	23'-5"	2-C2	20'-1 3/4"	3-H	12'-11 1/8"	4-I	1'-8 5/8"
1-C2	5'-8 7/8"	2-H	21'-0 3/4"	3-I	5'-9"	4-J	11'-10 5/8"
1-H	11'-8"	2-I	14'-9 3/4"	3-J	12'-5 1/2"	4-K	18'-5 1/2"
1-I	11'-6 1/8"	2-J	8'	3-K	13'-10 3/8"	4-L	19'-8 1/8"
1-J	7'	2-K	3'-4 3/8"	3-L	13'-5"	4-M	17'-7 7/8"
1-K	18'-3 1/2"	2-L	8'-8 1/2"	3-M	10'-6 1/2"	4-N	12'-10 5/8"
1-L	22'-5 3/4"	2-M	12'-5 3/4"	3-N	5'-9 1/8"	4-S1	11'-9 7/8"
1-M	23'-5 1/2"	2-N	13'-11 7/8"	3-S1	17'-9 1/4"	4-S2	7'-8 1/2"
1-N	20'-11 1/4"	2-S1	19'-8 3/8"	3-S2	14'-10 7/8"		
BOX POINTS		A-H5	20'-4 1/2"	B-S1	29'-1 3/8"	D-C1	29'-1 1/8"
POINTS	DISTANCE	A-S1	26'-8"	B-S2	26'-10 7/8"	D-C2	3'-1 5/8"
		A-S2	28'-4 1/4"	C-C1	28'-5"	D-E	8'-5 7/8"
A-B	14'	B-C	28'	C-C2	11'-1 1/4"	D-F	22'-1 5/8"
A-C	31'-3 5/8"	B-C1	5'-7 1/4"	C-D	14'	D-G	20'-3 3/4"
A-C1	8'-4 3/4"	B-C2	29'-1 1/4"	C-E	10'	D-H1	21'-7 3/8"
A-C2	27'-1"	B-D	31'-3 5/8"	C-F	22'-1 5/8"	D-H2	22'-4 1/2"
A-D	28'	B-E	23'-4 7/8"	C-G	12'-2 7/8"	D-H3	20'-6 3/4"
A-E	22'-9 5/8"	B-F	9'-10 3/4"	C-H1	18'-11 3/8"	D-H4	12'-8 3/4"
A-F	9'-10 3/4"	B-G	16'-2"	C-H2	24'-11 1/4"	D-H5	14'-11 3/8"
A-G	22'-10 3/4"	B-H1	9'-10"	C-H3	23'-7 1/2"	D-S1	2'-6 5/8"
A-H1	14'-3 5/8"	B-H2	12'-8 5/8"	C-H4	18'-11 1/8"	D-S2	9'-11 5/8"
A-H2	6'-4 3/8"	B-H3	14'-0 3/8"	C-H5	11'-1 1/2"		
A-H3	7'-10 1/4"	B-H4	20'-8 5/8"	C-S1	11'-11 1/2"		
A-H4	15'-3 1/4"	B-H5	17'-9 1/8"	C-S2	4'-4 3/8"		

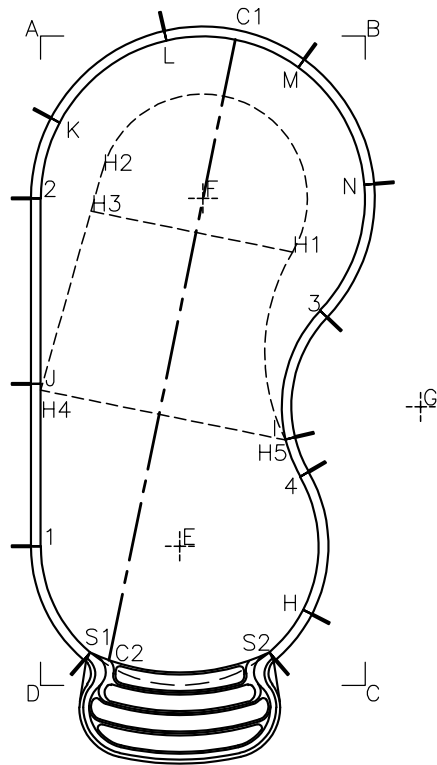
<b>Date:</b> 5/10/2022	<b>Perimeter:</b> 71'-7 7/8"	 <small>cardinalpools.com</small>
<b>Drawn By:</b> JESSE H	<b>Area:</b> 307.9 SQ. FT.	
<b>Scale:</b> 1/8" = 1'-0"	<b>Notes:</b> -----	
<small>This information is the confidential property of Cardinal Systems, Inc. Disclosure or duplication without proper written approval is strictly prohibited. Acceptance and use of this drawing constitutes knowledge and acceptance by the user of the terms and conditions set forth in the notice and warning which accompanied this drawing is incorporated herein and made part hereof and is found on Cardinal Systems, Inc's website at www.CardinalSystemsInc.com</small>		





**Pool Size:** 14' X 28'      **Approx Gal:** 9,815  
**Pool Shape:** STRAIGHT WALL KIDNEY  
**Pool Number:** 1428SWK (PLASTIC)

250 Route 61 South, Schuylkill Haven, PA 17972 • 570-385-4733 • fax: 570-385-1318 • CustomerService@CardinalSystemsInc.com



**Date:** 5/10/2022

**Perimeter:** 71'-7 7/8"

**Drawn By:** JESSE H

**Area:** 307.9 SQ. FT.

**Scale:** 1/8" = 1'-0"

**Notes:** - - - -



This information is the confidential property of Cardinal Systems, Inc. Disclosure or duplication without proper written approval is strictly prohibited. Acceptance and use of this drawing constitutes knowledge and acceptance by the user of the terms and conditions set forth in the notice and warning which accompanied this drawing is incorporated herein and made part hereof and is found on Cardinal Systems, Inc's website at www.CardinalSystemsInc.com

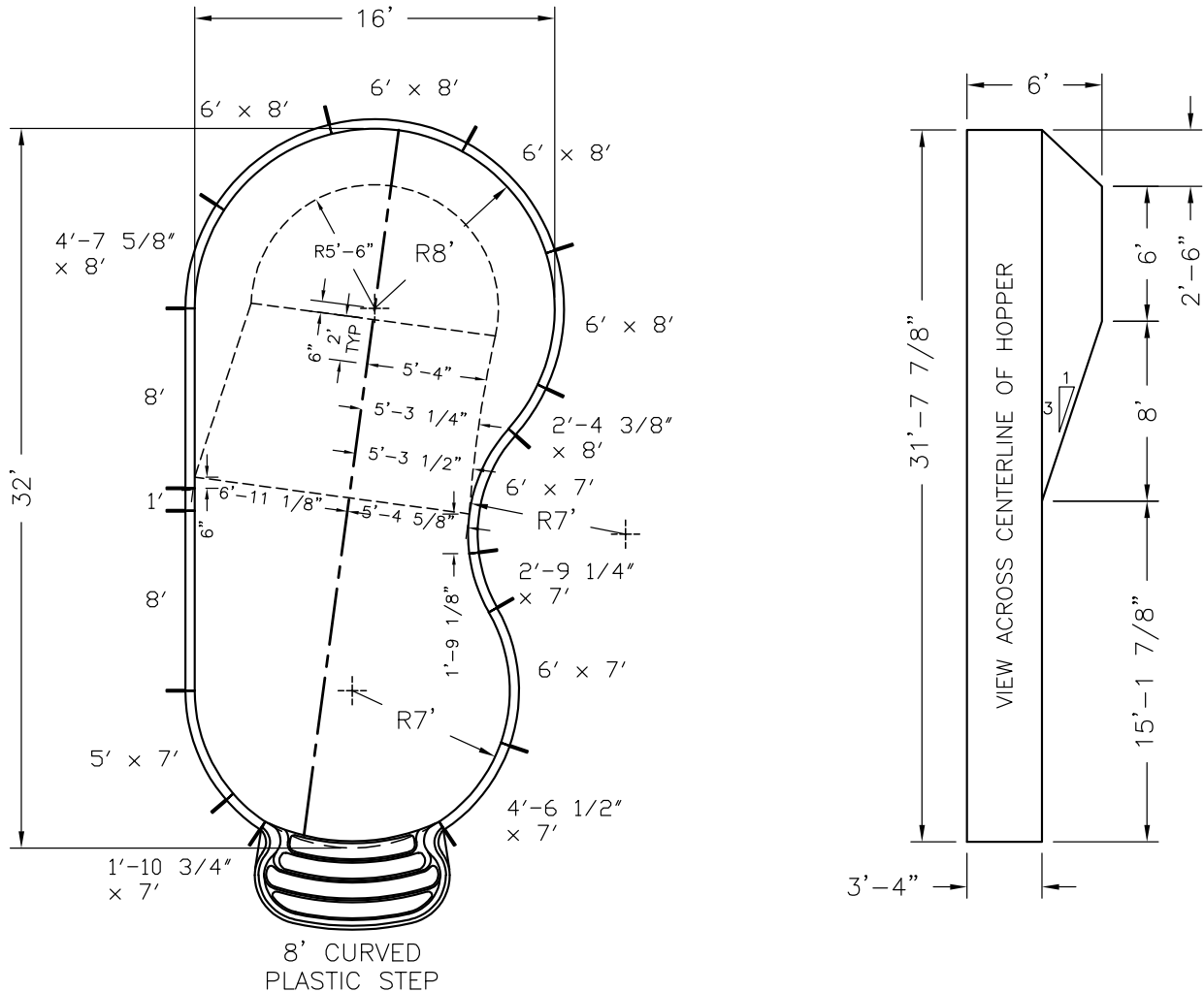


**Pool Size:** 16' X 32' **Approx Gal:** 13,028  
**Pool Shape:** STRAIGHT WALL KIDNEY  
**Pool Number:** 1632SWK (PLASTIC)

250 Route 61 South, Schuylkill Haven, PA 17972 • 570-385-4733 • fax: 570-385-1318 • CustomerService@CardinalSystemsinc.com

### Bill of Materials

PART NO.	QUANTITY	DESCRIPTION
"A" FRAME	16	"A" FRAME ASSEMBLY
5C421T6XX07000	1	1'-10 3/4" x 7' Radius C PANEL W/O Z
5C42243XX08000	1	2'-4 3/8" x 8' Radius C PANEL W/O Z
5C42464XX07000	1	4'-6 1/2" x 7' Radius C PANEL W/O Z
5C42475XX08000	1	4'-7 5/8" x 8' Radius C PANEL W/O Z
5C42500XX07000	1	5' x 7' Radius C PANEL W/O Z
5C42600XX07000	1	6' x 7' Radius C PANEL W/O Z
5C42600XX08000	4	6' x 8' Radius C PANEL W/O Z
5R42292XX07000	1	2'-9 1/4" x 7' Radius R PANEL W/O Z
5R42600XX07000	1	6' x 7' Radius R PANEL W/O Z
5S42100XXX0	1	1' Straight PANEL W/O Z
5S42800XXX2	2	8' Straight PANEL W/2 Z



NOTE: THIS IS A NON DIVING POOL.

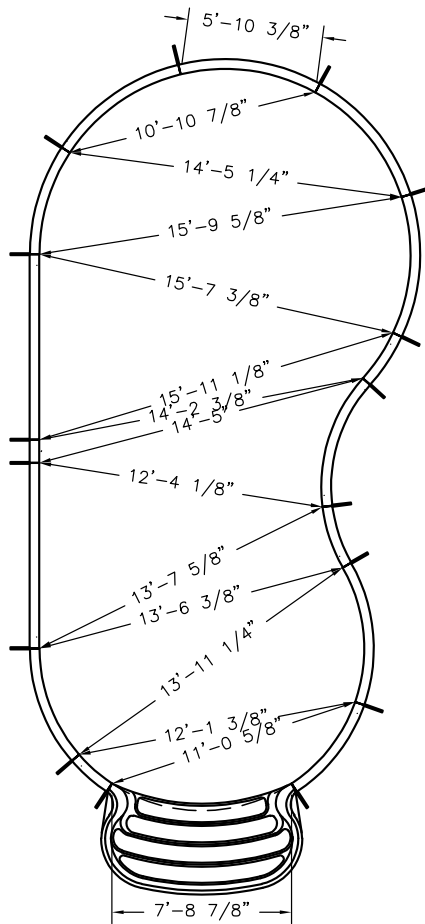
<b>Date:</b> 5/10/2022	<b>Perimeter:</b> 82'-2 1/2"	
<b>Drawn By:</b> JESSE H	<b>Area:</b> 408.7 SQ. FT.	
<b>Scale:</b> 1/8" = 1'-0"	<b>Notes:</b> -----	

This information is the confidential property of Cardinal Systems, Inc. Disclosure or duplication without proper written approval is strictly prohibited. Acceptance and use of this drawing constitutes knowledge and acceptance by the user of the terms and conditions set forth in the notice and warning which accompanied this drawing is incorporated herein and made part hereof and is found on Cardinal Systems, Inc's website at www.CardinalSystemsInc.com



**Pool Size:** 16' X 32'      **Approx Gal:** 13,028  
**Pool Shape:** STRAIGHT WALL KIDNEY  
**Pool Number:** 1632SWK (PLASTIC)

250 Route 61 South, Schuylkill Haven, PA 17972 • 570-385-4733 • fax: 570-385-1318 • CustomerService@CardinalSystemsinc.com



**Date:** 5/10/2022

**Perimeter:** 82'-2 1/2"

**Drawn By:** JESSE H

**Area:** 408.7 SQ. FT.

**Scale:** 1/8" = 1'-0"

**Notes:** - - - -



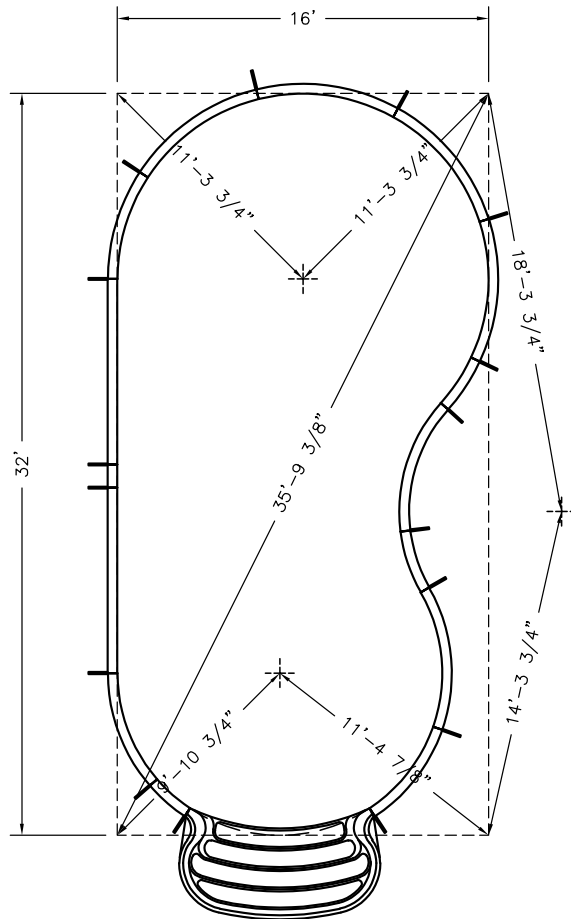
cardinalpools.com


This information is the confidential property of Cardinal Systems, Inc. Disclosure or duplication without proper written approval is strictly prohibited. Acceptance and use of this drawing constitutes knowledge and acceptance by the user of the terms and conditions set forth in the notice and warning which accompanied this drawing is incorporated herein and made part hereof and is found on Cardinal Systems, Inc's website at www.CardinalSystemsInc.com



**Pool Size:** 16' X 32'      **Approx Gal:** 13,028  
**Pool Shape:** STRAIGHT WALL KIDNEY  
**Pool Number:** 1632SWK (PLASTIC)

250 Route 61 South, Schuylkill Haven, PA 17972 • 570-385-4733 • fax: 570-385-1318 • CustomerService@CardinalSystemsinc.com



<b>Date:</b> 5/10/2022	<b>Perimeter:</b> 82' - 2 1/2"	 cardinalpools.com
<b>Drawn By:</b> JESSE H	<b>Area:</b> 408.7 SQ. FT.	
<b>Scale:</b> 1/8" = 1'-0"	<b>Notes:</b> -----	

This information is the confidential property of Cardinal Systems, Inc. Disclosure or duplication without proper written approval is strictly prohibited. Acceptance and use of this drawing constitutes knowledge and acceptance by the user of the terms and conditions set forth in the notice and warning which accompanied this drawing is incorporated herein and made part hereof and is found on Cardinal Systems, Inc's website at www.CardinalSystemsInc.com



**Pool Size:** 16' X 32' **Approx Gal:** 13,028  
**Pool Shape:** STRAIGHT WALL KIDNEY  
**Pool Number:** 1632SWK (PLASTIC)

250 Route 61 South, Schuylkill Haven, PA 17972 • 570-385-4733 • fax: 570-385-1318 • CustomerService@CardinalSystemsinc.com

HOPPER DIG POINTS	E-G	14'	E-H3	11'-9 5/8"	F-H3	10'-11 5/8"
POINTS	F-G	15'	E-H4	9'-5 1/8"	F-H4	10'-0 3/4"
	E-H1	17'-0 1/8"	F-H1	5'-6"		
E-F	E-H2	17'-9 3/4"	F-H2	5'-6"		
PANEL TO HOPPER POINTS	1-H3	9'-6"	2-H4	15'-3"	4-H1	12'-3 5/8"
POINTS	1-H4	14'-6 1/8"	3-H1	4'-2"	4-H2	17'-4 1/8"
	2-H1	13'-5"	3-H2	12'-8 3/4"	4-H3	14'-4 3/4"
1-H1	2-H2	2'-6 1/4"	3-H3	14'-1 1/4"	4-H4	4'-5 1/2"
1-H2	2-H3	7'-6"	3-H4	4'-2"		
PANEL TO PANEL POINTS	1-S1	6'-7 1/2"	2-S2	25'-3 1/2"	4-C1	21'-9 7/8"
POINTS	1-S2	12'-4"	3-C1	14'-1 3/4"	4-C2	12'-10 3/4"
	2-C1	12'-0 1/2"	3-C2	20'-3"	4-H	13'-11 1/4"
1-C1	2-C2	23'-11 3/8"	3-H	20'-3 7/8"	4-I	5'-9 7/8"
1-C2	2-H	21'-7 7/8"	3-I	13'-11 1/2"	4-J	2'-9 1/8"
1-H	2-I	23'-7 1/2"	3-J	5'-9 7/8"	4-K	10'-4 1/4"
1-I	2-J	16'-4 3/8"	3-K	2'-4 1/4"	4-L	16'-2 1/8"
1-J	2-K	15'-7 3/8"	3-L	7'-11 7/8"	4-M	20'-6 1/2"
1-K	2-L	15'-9 5/8"	3-M	12'-6 1/8"	4-N	22'-4 7/8"
1-L	2-M	13'-9 1/2"	3-N	15'-3 1/2"	4-O	21'-5"
1-M	2-N	9'-10 3/8"	3-O	15'-11 3/8"	4-P	14'-2 1/4"
1-N	2-O	4'-6 7/8"	3-P	14'-2 3/8"	4-Q	13'-10"
1-O	2-P	8'	3-Q	14'-5"	4-S1	13'-7 1/2"
1-P	2-Q	9'	3-S1	20'-6 5/8"	4-S2	9'-6 7/8"
1-Q	2-S1	23'-0 1/2"	3-S2	17'-9"		
BOX POINTS	A-H4	21'-0 1/2"	B-S1	33'-4 7/8"	D-C1	33'-2 1/4"
POINTS	A-S1	30'-11 7/8"	B-S2	31'-3 1/8"	D-C2	4'-10 5/8"
	A-S2	32'-8 3/8"	C-C1	32'-8 1/8"	D-E	9'-10 3/4"
A-B	B-C	32'	C-C2	11'-2"	D-F	25'-3 5/8"
A-C	B-C1	6'-11 1/4"	C-D	16"	D-G	23'-8 3/8"
A-C1	B-C2	33'-4 3/8"	C-E	11'-4 7/8"	D-H1	26'-4 7/8"
A-C2	B-D	35'-9 3/8"	C-F	25'-3 5/8"	D-H2	24'-4 3/8"
A-D	B-E	26'-6 7/8"	C-G	14'-3 3/4"	D-H3	16'-6"
A-E	B-F	11'-3 3/4"	C-H1	22'-11 1/8"	D-H4	19'-2 3/4"
A-F	B-G	18'-3 3/4"	C-H2	27'-8 7/8"	D-S1	3'-4 1/8"
A-G	B-H1	9'-7 1/8"	C-H3	22'-11 3/4"	D-S2	10'-11 1/8"
A-H1	B-H2	15'-6 7/8"	C-H4	15'-4"		
A-H2	B-H3	22'-3 3/8"	C-S1	12'-11 1/8"		
A-H3	B-H4	17'-6 5/8"	C-S2	5'-3 1/8"		

**Date:** 5/10/2022

**Perimeter:** 82'-2 1/2"

**Drawn By:** JESSE H

**Area:** 408.7 SQ. FT.

**Scale:** 1/8" = 1'-0"

**Notes:** - - - -



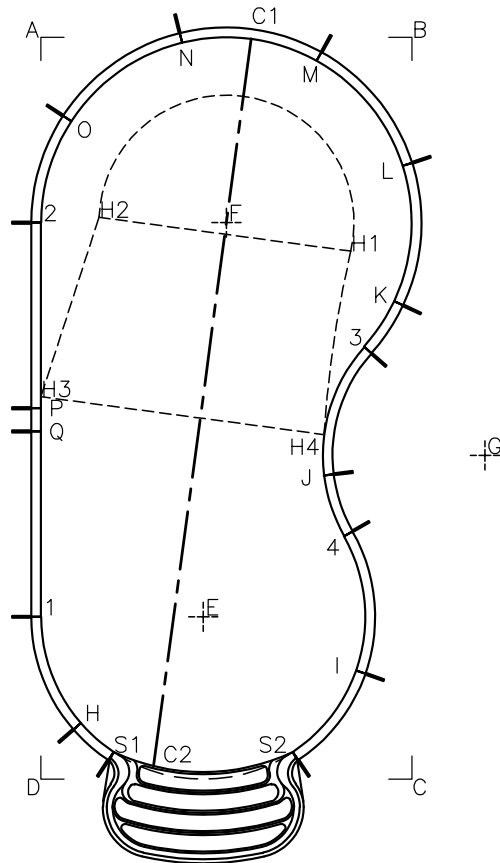
cardinalpools.com


This information is the confidential property of Cardinal Systems, Inc. Disclosure or duplication without proper written approval is strictly prohibited. Acceptance and use of this drawing constitutes knowledge and acceptance by the user of the terms and conditions set forth in the notice and warning which accompanied this drawing is incorporated herein and made part hereof and is found on Cardinal Systems, Inc's website at www.CardinalSystemsInc.com



**Pool Size:** 16' X 32' **Approx Gal:** 13,028  
**Pool Shape:** STRAIGHT WALL KIDNEY  
**Pool Number:** 1632SWK (PLASTIC)

250 Route 61 South, Schuylkill Haven, PA 17972 • 570-385-4733 • fax: 570-385-1318 • CustomerService@CardinalSystemsinc.com



<b>Date:</b> 5/10/2022	<b>Perimeter:</b> 82'-2 1/2"	 cardinalpools.com
<b>Drawn By:</b> JESSE H	<b>Area:</b> 408.7 SQ. FT.	
<b>Scale:</b> 1/8" = 1'-0"	<b>Notes:</b> -----	

This information is the confidential property of Cardinal Systems, Inc. Disclosure or duplication without proper written approval is strictly prohibited. Acceptance and use of this drawing constitutes knowledge and acceptance by the user of the terms and conditions set forth in the notice and warning which accompanied this drawing is incorporated herein and made part hereof and is found on Cardinal Systems, Inc's website at www.CardinalSystemsInc.com

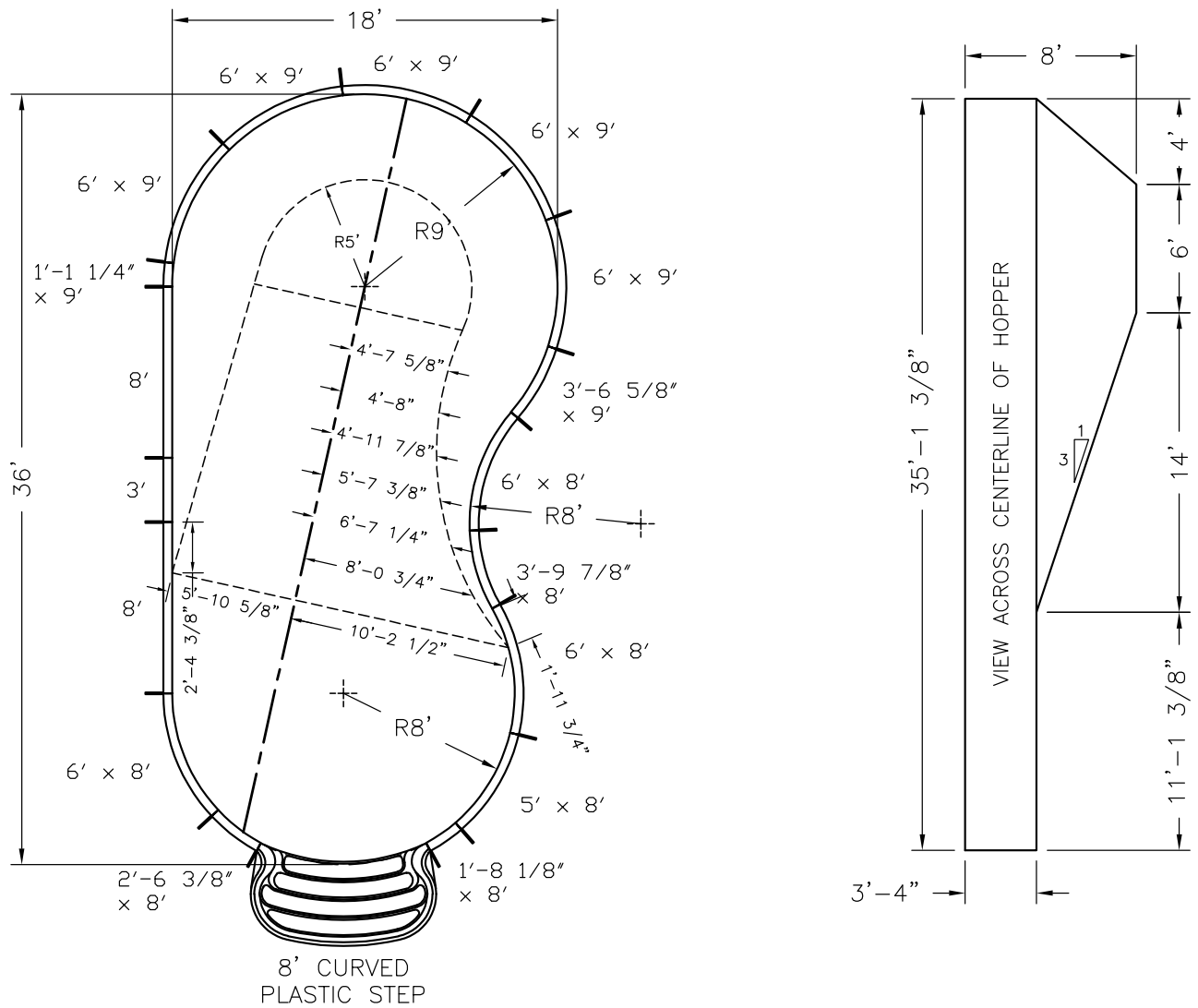


**Pool Size:** 18' X 36' **Approx Gal:** 19,014  
**Pool Shape:** STRAIGHT WALL KIDNEY  
**Pool Number:** 1836SWK (PLASTIC)

250 Route 61 South, Schuylkill Haven, PA 17972 • 570-385-4733 • fax: 570-385-1318 • CustomerService@CardinalSystemsInc.com

Bill of Materials

PART NO.	QUANTITY	DESCRIPTION
"A" FRAME	18	"A" FRAME ASSEMBLY
5C42112XX09000	1	1'-1 1/4" x 9' Radius C PANEL W/0 Z
5C42181XX08000	1	1'-8 1/8" x 8' Radius C PANEL W/0 Z
5C42263XX08000	1	2'-6 3/8" x 8' Radius C PANEL W/0 Z
5C42365XX09000	1	3'-6 5/8" x 9' Radius C PANEL W/0 Z
5C42500XX08000	1	5' x 8' Radius C PANEL W/0 Z
5C42600XX08000	2	6' x 8' Radius C PANEL W/0 Z
5C42600XX09000	5	6' x 9' Radius C PANEL W/0 Z
5R42397XX08000	1	3'-9 7/8" x 8' Radius R PANEL W/0 Z
5R42600XX08000	1	6' x 8' Radius R PANEL W/0 Z
5S42300XXX0	1	3' Straight PANEL W/0 Z
5S42800XXX2	2	8' Straight PANEL W/2 Z



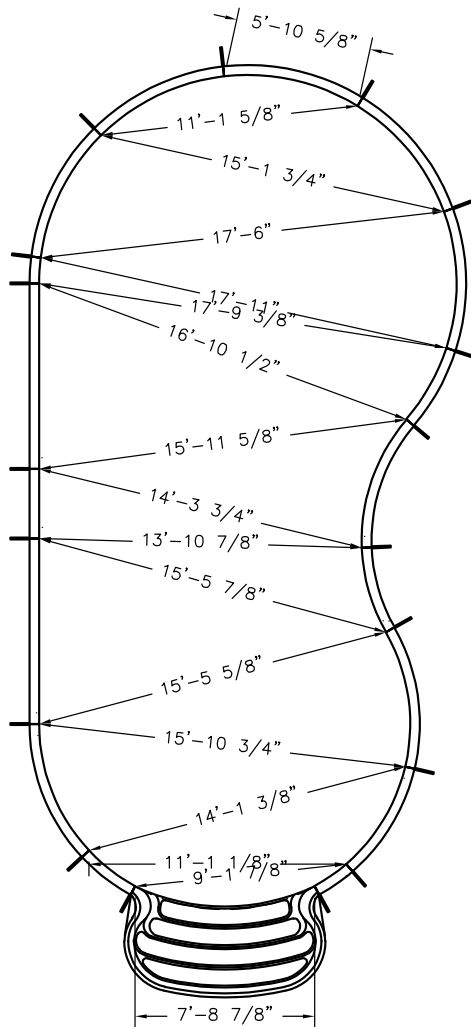
<b>Date:</b> 5/10/2022	<b>Perimeter:</b> 92'-8 1/8"	
<b>Drawn By:</b> JESSE H	<b>Area:</b> 522.7 SQ. FT.	
<b>Scale:</b> 1/8" = 1'-0"	<b>Notes:</b> - - - -	

This information is the confidential property of Cardinal Systems, Inc. Disclosure or duplication without proper written approval is strictly prohibited. Acceptance and use of this drawing constitutes knowledge and acceptance by the user of the terms and conditions set forth in the notice and warning which accompanied this drawing is incorporated herein and made part hereof and is found on Cardinal Systems, Inc's website at www.CardinalSystemsInc.com



**Pool Size:** 18' X 36' **Approx Gal:** 19,014  
**Pool Shape:** STRAIGHT WALL KIDNEY  
**Pool Number:** 1836SWK (PLASTIC)

250 Route 61 South, Schuylkill Haven, PA 17972 • 570-385-4733 • fax: 570-385-1318 • CustomerService@CardinalSystemsinc.com



**Date:** 5/10/2022

**Perimeter:** 92'-8 1/8"

**Drawn By:** JESSE H

**Area:** 522.7 SQ. FT.

**Scale:** 1/8" = 1'-0"

**Notes:** - - - -



cardinalpools.com

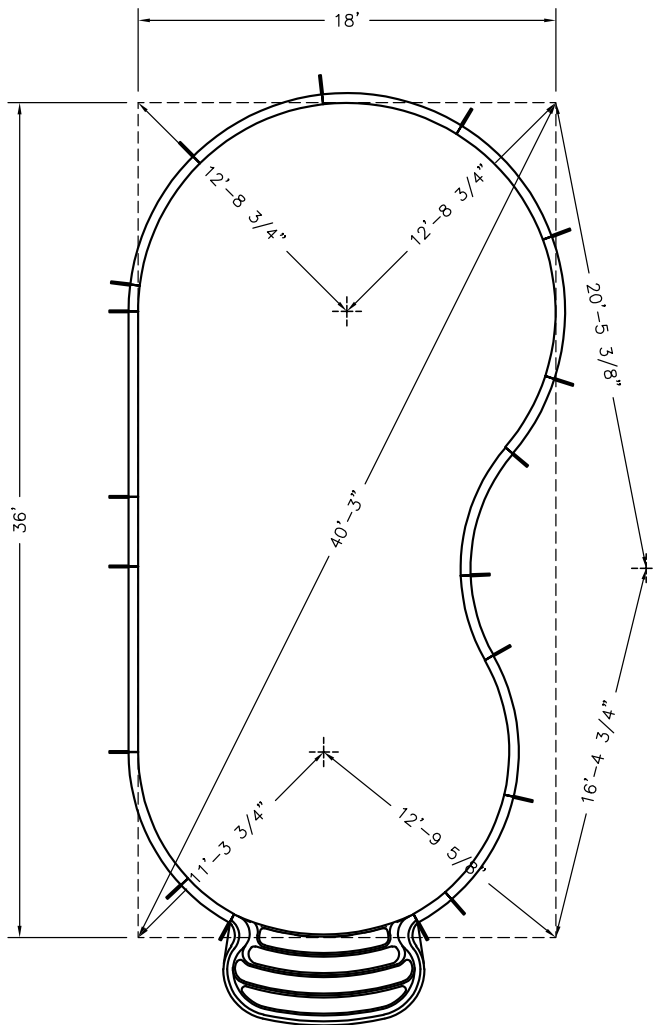
This information is the confidential property of Cardinal Systems, Inc. Disclosure or duplication without proper written approval is strictly prohibited. Acceptance and use of this drawing constitutes knowledge and acceptance by the user of the terms and conditions set forth in the notice and warning which accompanied this drawing is incorporated herein and made part hereof and is found on Cardinal Systems, Inc's website at www.CardinalSystemsInc.com





**Pool Size:** 18' X 36' **Approx Gal:** 19,014  
**Pool Shape:** STRAIGHT WALL KIDNEY  
**Pool Number:** 1836SWK (PLASTIC)

250 Route 61 South, Schuylkill Haven, PA 17972 • 570-385-4733 • fax: 570-385-1318 • CustomerService@CardinalSystemsinc.com



**Date:** 5/10/2022

**Perimeter:** 92'-8 1/8"

**Drawn By:** JESSE H

**Area:** 522.7 SQ. FT.

**Scale:** 1/8" = 1'-0"

**Notes:** - - - -



This information is the confidential property of Cardinal Systems, Inc. Disclosure or duplication without proper written approval is strictly prohibited. Acceptance and use of this drawing constitutes knowledge and acceptance by the user of the terms and conditions set forth in the notice and warning which accompanied this drawing is incorporated herein and made part hereof and is found on Cardinal Systems, Inc's website at www.CardinalSystemsInc.com



**Pool Size:** 18' X 36' **Approx Gal:** 19,014  
**Pool Shape:** STRAIGHT WALL KIDNEY  
**Pool Number:** 1836SWK (PLASTIC)

250 Route 61 South, Schuylkill Haven, PA 17972 • 570-385-4733 • fax: 570-385-1318 • CustomerService@CardinalSystemsinc.com

HOPPER DIG POINTS		E-G	16'	E-H3	19'-6 7/8"	F-H2	5'
POINTS	DISTANCE	F-G	17'	E-H4	9'-9 3/8"	F-H3	5'-2"
		E-H1	17'-10 1/4"	E-H5	8'	F-H4	16'-1 3/8"
E-F	19'-0 3/8"	E-H2	20'-8 5/8"	F-H1	5'	F-H5	18'-1 3/4"
PANEL TO HOPPER POINTS		1-H4	5'-7 5/8"	2-H5	23'-0 1/2"	4-H1	13'-0 7/8"
POINTS	DISTANCE	1-H5	15'-10 1/4"	3-H1	4'-5 1/4"	4-H2	19'-7 3/8"
		2-H1	13'-8 5/8"	3-H2	13'-8 3/8"	4-H3	18'-9 5/8"
1-H1	21'-8 5/8"	2-H2	4'-4 7/8"	3-H3	13'-4 7/8"	4-H4	15'-0 1/2"
1-H2	20'-9 1/2"	2-H3	3'-10 1/8"	3-H4	17'-6 1/4"	4-H5	1'-11 3/4"
1-H3	19'-6 1/8"	2-H4	13'-4 3/8"	3-H5	11'		
PANEL TO PANEL POINTS		1-S1	8'-1 1/2"	2-S2	28'-7"	4-C1	24'-1 7/8"
POINTS	DISTANCE	1-S2	13'-9 3/8"	3-C1	15'-5 1/4"	4-C2	15'-7 5/8"
		2-C1	14'-0 1/2"	3-C2	23'-3 1/4"	4-H	15'-10 3/4"
1-C1	29'-10 3/8"	2-C2	25'-8 1/2"	3-H	23'-1"	4-I	10'-1 7/8"
1-C2	7'-3 5/8"	2-H	24'-6 5/8"	3-I	19'-4 1/4"	4-J	5'-10 3/8"
1-H	5'-10 3/8"	2-I	28'-4"	3-J	14'-11 3/4"	4-K	3'-9 3/8"
1-I	14'-6 5/8"	2-J	26'-1 3/4"	3-K	5'-10 3/8"	4-L	12'-6 1/4"
1-J	15'-10 3/4"	2-K	17'-11 3/4"	3-L	3'-6 3/8"	4-M	18'-3 3/4"
1-K	15'-10 1/8"	2-L	17'-9 3/8"	3-M	9'-1 3/8"	4-N	22'-8 3/4"
1-L	23'-10 3/4"	2-M	17'-8 5/8"	3-N	13'-8 1/4"	4-O	24'-11 5/8"
1-M	28'-1 7/8"	2-N	15'-8 5/8"	3-O	16'-9 1/8"	4-P	24'-8 3/8"
1-N	29'-11 7/8"	2-O	11'-11 3/4"	3-P	17'-11 7/8"	4-Q	21'-11 1/2"
1-O	29'-0 5/8"	2-P	6'-11 1/8"	3-Q	17'-2 3/4"	4-R	16'-6 1/4"
1-P	25'-6 3/8"	2-Q	1'-1 1/4"	3-R	15'-11 5/8"	4-S	15'-5 7/8"
1-Q	20'-1 1/4"	2-R	8'	3-S	16'-7 3/4"	4-S1	15'-4 7/8"
1-R	11'	2-S	11'	3-S1	23'-3 1/2"	4-S2	11'-4 5/8"
1-S	8'	2-S1	26'-3 7/8"	3-S2	20'-6 1/4"		
BOX POINTS		A-H5	30'-3 1/8"	B-S1	37'-7 3/4"	D-C1	37'-5 1/8"
POINTS	DISTANCE	A-S1	35'-2 7/8"	B-S2	35'-6 3/8"	D-C2	3'-7 7/8"
		A-S2	36'-11 1/2"	C-C1	36'-5 5/8"	D-E	11'-3 3/4"
A-B	18'	B-C	36'	C-C2	14'-9"	D-F	28'-5 1/2"
A-C	40'-3"	B-C1	7'-0 5/8"	C-D	18'	D-G	27'-0 7/8"
A-C1	10'-11 1/2"	B-C2	37'-5 7/8"	C-E	12'-9 5/8"	D-H1	28'-4 7/8"
A-C2	34'-7 7/8"	B-D	40'-3"	C-F	28'-5 1/2"	D-H2	28'-8 1/8"
A-D	36'	B-E	29'-8 3/4"	C-G	16'-4 3/4"	D-H3	27'-4 3/4"
A-E	29'-1 1/2"	B-F	12'-8 3/4"	C-H1	25'-4 1/4"	D-H4	13'-7 5/8"
A-F	12'-8 3/4"	B-G	20'-5 3/8"	C-H2	31'-6 5/8"	D-H5	18'-8 3/8"
A-G	29'-8 1/2"	B-H1	11'-10 3/4"	C-H3	30'-7 1/4"	D-S1	4'-3"
A-H1	17'-5 7/8"	B-H2	15'-9 3/8"	C-H4	22'-7"	D-S2	11'-11"
A-H2	8'-8 1/2"	B-H3	16'-8 5/8"	C-H5	10'-4 3/4"		
A-H3	9'-8"	B-H4	28'-8 1/2"	C-S1	13'-10 7/8"		
A-H4	22'-4 3/8"	B-H5	25'-11 1/2"	C-S2	6'-2 1/2"		

Date: 5/10/2022

Perimeter: 92'-8 1/8"

Drawn By: JESSE H

Area: 522.7 SQ. FT.

Scale: 1/8" = 1'-0"

Notes: - - - -



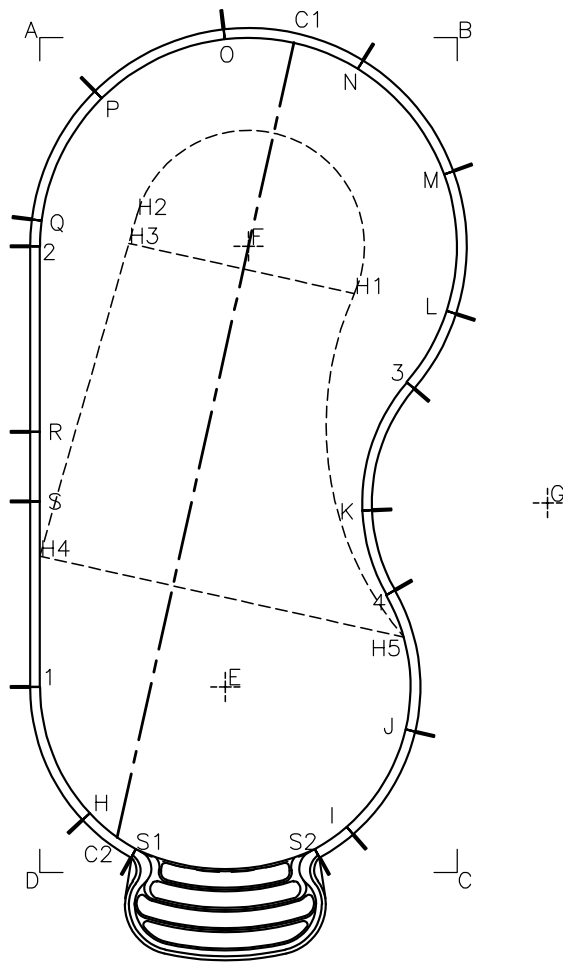
cardinalpools.com

This information is the confidential property of Cardinal Systems, Inc. Disclosure or duplication without proper written approval is strictly prohibited. Acceptance and use of this drawing constitutes knowledge and acceptance by the user of the terms and conditions set forth in the notice and warning which accompanied this drawing. It is incorporated herein and made part hereof and is found on Cardinal Systems, Inc's website at www.CardinalSystemsInc.com



**Pool Size:** 18' X 36' **Approx Gal:** 19,014  
**Pool Shape:** STRAIGHT WALL KIDNEY  
**Pool Number:** 1836SWK (PLASTIC)

250 Route 61 South, Schuylkill Haven, PA 17972 • 570-385-4733 • fax: 570-385-1318 • CustomerService@CardinalSystemsInc.com



**Date:** 5/10/2022

**Perimeter:** 92'-8 1/8"

**Drawn By:** JESSE H

**Area:** 522.7 SQ. FT.

**Scale:** 1/8" = 1'-0"

**Notes:** - - - -



cardinalpools.com

This information is the confidential property of Cardinal Systems, Inc. Disclosure or duplication without proper written approval is strictly prohibited. Acceptance and use of this drawing constitutes knowledge and acceptance by the user of the terms and conditions set forth in the notice and warning which accompanied this drawing is incorporated herein and made part hereof and is found on Cardinal Systems, Inc's website at www.CardinalSystemsInc.com

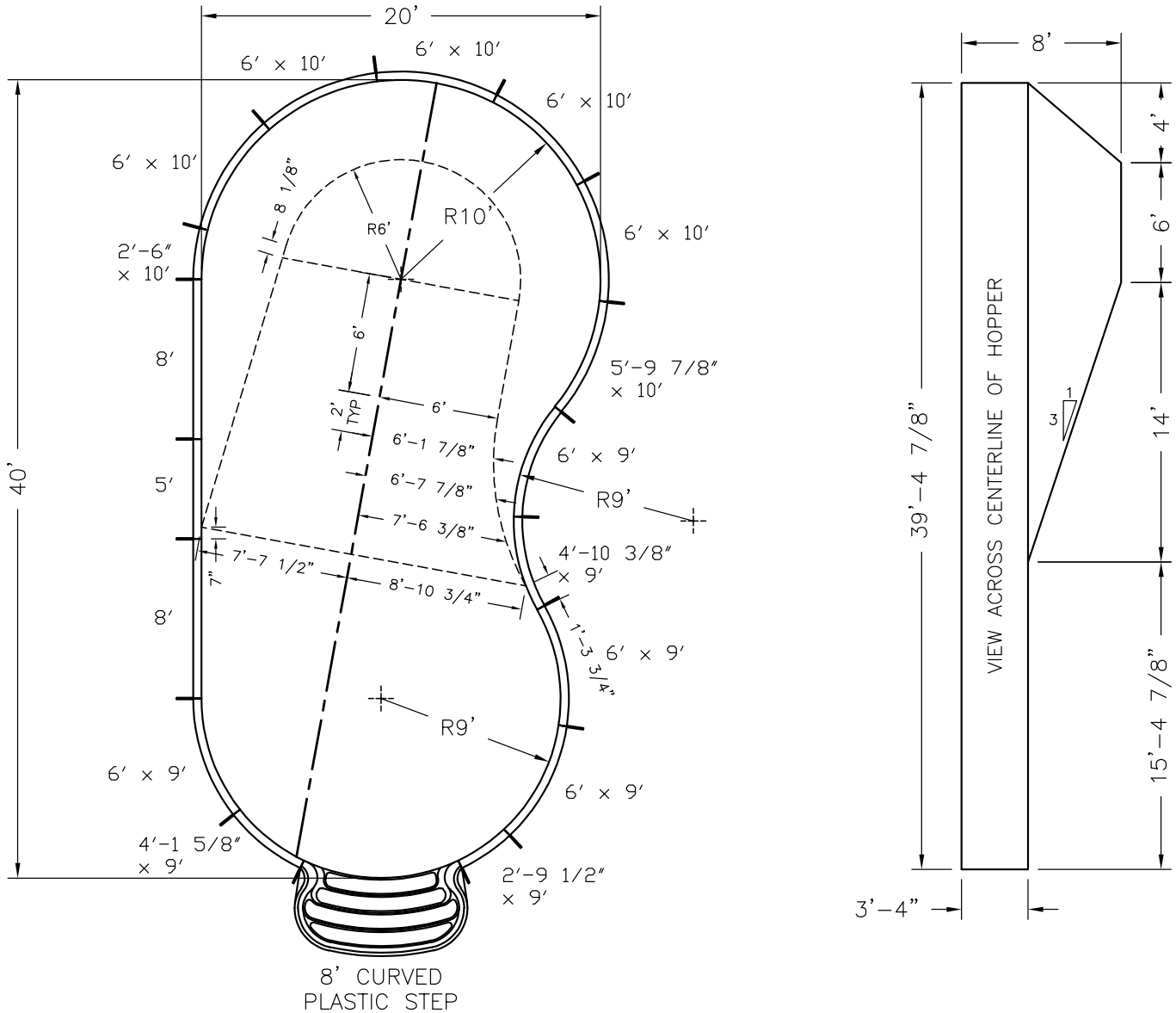



**Pool Size:** 20' X 40' **Approx Gal:** 23,652  
**Pool Shape:** STRAIGHT WALL KIDNEY  
**Pool Number:** 2040SWK (PLASTIC)

250 Route 61 South, Schuylkill Haven, PA 17972 • 570-385-4733 • fax: 570-385-1318 • CustomerService@CardinalSystemsinc.com

### Bill of Materials

PART NO.	QUANTITY	DESCRIPTION
"A" FRAME	18	"A" FRAME ASSEMBLY
5C42260XX10000	1	2'-6" x 10' Radius C PANEL W/0 Z
5C42294XX09000	1	2'-9 1/2" x 9' Radius C PANEL W/0 Z
5C42415XX09000	1	4'-1 5/8" x 9' Radius C PANEL W/0 Z
5C42597XX10000	1	5'-9 7/8" x 10' Radius C PANEL W/0 Z
5C42600XX09000	3	6' x 9' Radius C PANEL W/0 Z
5C42600XX10000	5	6' x 10' Radius C PANEL W/0 Z
5R424T3XX09000	1	4'-10 3/8" x 9' Radius R PANEL W/0 Z
5R42600XX09000	1	6' x 9' Radius R PANEL W/0 Z
5S42500XXX0	1	5' Straight PANEL W/0 Z
5S42800XXX2	2	8' Straight PANEL W/2 Z



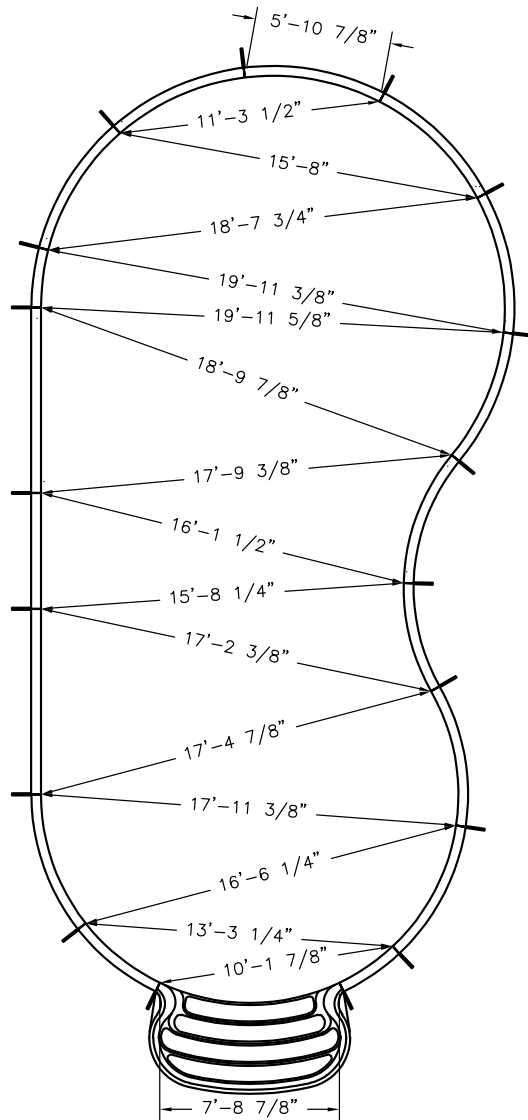
<b>Date:</b> 5/10/2022	<b>Perimeter:</b> 103'-1 3/8"	 cardinalpools.com
<b>Drawn By:</b> JESSE H	<b>Area:</b> 650.2 SQ. FT.	
<b>Scale:</b> 1/8" = 1'-0"	<b>Notes:</b> -----	


This information is the confidential property of Cardinal Systems, Inc. Disclosure or duplication without proper written approval is strictly prohibited. Acceptance and use of this drawing constitutes knowledge and acceptance by the user of the terms and conditions set forth in the notice and warning which accompanied this drawing is incorporated herein and made part hereof and is found on Cardinal Systems, Inc's website at www.CardinalSystemsInc.com



**Pool Size:** 20' X 40'     **Approx Gal:** 23,652  
**Pool Shape:** STRAIGHT WALL KIDNEY  
**Pool Number:** 2040SWK (PLASTIC)

250 Route 61 South, Schuylkill Haven, PA 17972 • 570-385-4733 • fax: 570-385-1318 • CustomerService@CardinalSystemsinc.com



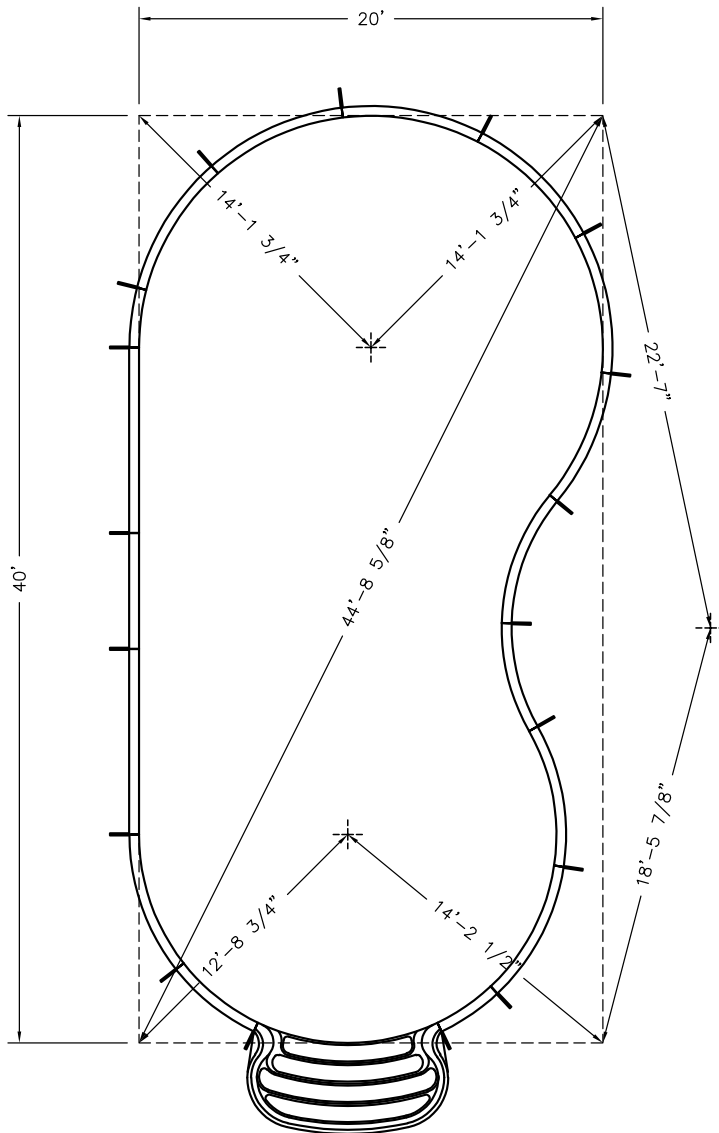
<b>Date:</b> 5/10/2022	<b>Perimeter:</b> 103'-1 3/8"	 cardinalpools.com
<b>Drawn By:</b> JESSE H	<b>Area:</b> 650.2 SQ. FT.	
<b>Scale:</b> 1/8" = 1'-0"	<b>Notes:</b> - - - -	

This information is the confidential property of Cardinal Systems, Inc. Disclosure or duplication without proper written approval is strictly prohibited. Acceptance and use of this drawing constitutes knowledge and acceptance by the user of the terms and conditions set forth in the notice and warning which accompanied this drawing is incorporated herein and made part hereof and is found on Cardinal Systems, Inc's website at www.CardinalSystemsInc.com



**Pool Size:** 20' X 40' **Approx Gal:** 23,652  
**Pool Shape:** STRAIGHT WALL KIDNEY  
**Pool Number:** 2040SWK (PLASTIC)

250 Route 61 South, Schuylkill Haven, PA 17972 • 570-385-4733 • fax: 570-385-1318 • CustomerService@CardinalSystemsinc.com



**Date:** 5/10/2022

**Drawn By:** JESSE H

**Scale:** 1/8" = 1'-0"

**Perimeter:** 103'-1 3/8"

**Area:** 650.2 SQ. FT.

**Notes:** - - - -



cardinalpools.com

This information is the confidential property of Cardinal Systems, Inc. Disclosure or duplication without proper written approval is strictly prohibited. Acceptance and use of this drawing constitutes knowledge and acceptance by the user of the terms and conditions set forth in the notice and warning which accompanied this drawing is incorporated herein and made part hereof and is found on Cardinal Systems, Inc's website at www.CardinalSystemsInc.com



**Pool Size:** 20' X 40' **Approx Gal:** 23,652  
**Pool Shape:** STRAIGHT WALL KIDNEY  
**Pool Number:** 2040SWK (PLASTIC)

250 Route 61 South, Schuylkill Haven, PA 17972 • 570-385-4733 • fax: 570-385-1318 • CustomerService@CardinalSystemsinc.com

HOPPER DIG POINTS		F-G	19'	E-H5	9'-2 1/4"	F-H4	15'-11 3/8"
POINTS	DISTANCE	E-H1	21'-1 1/8"	E-H6	15'-2 1/4"	F-H5	16'-7"
E-F	21'-0 1/4"	E-H2	23'-2 5/8"	F-H1	6'	F-H6	8'-5 7/8"
E-G	18'	E-H3	22'-7 1/2"	F-H2	6'		
		E-H4	12'-5 1/4"	F-H3	6'-0 1/2"		
PANEL TO HOPPER POINTS		1-H5	17'-2 1/2"	2-H6	16'-4 3/4"	4-H1	15'-6 1/8"
POINTS	DISTANCE	1-H6	20'-5"	3-H1	5'-7 1/4"	4-H2	22'-2 1/4"
1-H1	25'-6"	2-H1	15'-11 1/4"	3-H2	15'-8 1/2"	4-H3	21'-9 1/8"
1-H2	23'-1 1/2"	2-H2	4'-7 1/8"	3-H3	15'-6 5/8"	4-H4	17'-3 7/8"
1-H3	22'-5 3/8"	2-H3	4'-2 3/8"	3-H4	18'-8 1/2"	4-H5	1'-3 3/4"
1-H4	8'-7"	2-H4	12'-5"	3-H5	9'-1 1/4"	4-H6	9'-9 3/8"
		2-H5	22'-4 3/8"	3-H6	2'-11 1/4"		
PANEL TO PANEL POINTS		1-S1	9'-7 3/8"	2-S2	31'-10 1/8"	4-C1	26'-10 3/8"
POINTS	DISTANCE	1-S2	15'-2 5/8"	3-C1	17'-3 1/8"	4-C2	17'-3 1/2"
1-C1	33'-0 1/8"	2-C1	15'-4 1/4"	3-C2	26'-0 1/4"	4-H	17'-11 3/8"
1-C2	9'-3"	2-C2	29'-3 7/8"	3-H	25'-7 5/8"	4-I	11'-1 5/8"
1-H	5'-10 5/8"	2-H	26'-7 5/8"	3-I	21'-4 1/8"	4-J	5'-10 5/8"
1-I	16'-6 1/4"	2-I	31'-5 1/2"	3-J	15'-11 5/8"	4-K	4'-9 3/4"
1-J	17'-11 3/8"	2-J	28'-7 1/2"	3-K	5'-10 5/8"	4-L	15'-9 3/8"
1-K	18'-1 3/8"	2-K	19'-7 7/8"	3-L	5'-8 7/8"	4-M	21'-4 3/8"
1-L	28'-2 1/4"	2-L	19'-11 5/8"	3-M	11'-1 3/4"	4-N	25'-6 1/4"
1-M	31'-10 3/8"	2-M	19'-4 3/4"	3-N	15'-6 5/8"	4-O	27'-8"
1-N	33'-3"	2-N	17'-1 1/8"	3-O	18'-6 7/8"	4-P	27'-6 5/8"
1-O	32'-1 7/8"	2-O	13'-3 1/8"	3-P	19'-11 1/4"	4-Q	25'-2 1/4"
1-P	28'-8 5/8"	2-P	8'-3"	3-Q	19'-6 1/4"	4-R	18'-10 1/2"
1-Q	23'-5 3/4"	2-Q	2'-5 7/8"	3-R	17'-9 3/8"	4-S	17'-2 3/8"
1-R	13'	2-R	8'	3-S	18'-10 7/8"	4-S1	17'-2"
1-S	8'	2-S	13'	3-S1	26'	4-S2	13'-2 1/8"
		2-S1	29'-6 7/8"	3-S2	23'-3 1/8"		
BOX POINTS		A-H6	22'-6 1/2"	B-S1	41'-10 1/4"	D-C1	41'-6 1/2"
POINTS	DISTANCE	A-S1	39'-5 1/2"	B-S2	39'-9 1/4"	D-C2	4'-10 1/2"
A-B	20'	A-S2	41'-2 1/4"	C-C1	40'-8 1/8"	D-E	12'-8 3/4"
A-C	44'-8 5/8"	B-C	40'	C-C2	15'-3 3/8"	D-F	31'-7 1/2"
A-C1	11'-9 3/8"	B-C1	8'-2 5/8"	C-D	20'	D-G	30'-5 1/2"
A-C2	39'-2 3/4"	B-C2	41'-9 3/4"	C-E	14'-2 1/2"	D-H1	33'-0 1/8"
A-D	40'	B-D	44'-8 5/8"	C-F	31'-7 1/2"	D-H2	32'-0 1/8"
A-E	32'-3 3/8"	B-E	32'-10 3/4"	C-G	18'-5 7/8"	D-H3	31'-4 1/8"
A-F	14'-1 3/4"	B-F	14'-1 3/4"	C-H1	29'-2 5/8"	D-H4	17'-7"
A-G	33'-1 1/4"	B-G	22'-7"	C-H2	35'-5"	D-H5	21'-10 1/2"
A-H1	19'-4 1/2"	B-H1	11'-9 5/8"	C-H3	34'-11 1/8"	D-H6	27'-4 3/4"
A-H2	9'-3 5/8"	B-H2	17'-9 3/8"	C-H4	26'-7 5/8"	D-S1	5'-2 1/2"
A-H3	9'-9 5/8"	B-H3	18'-3 1/4"	C-H5	15'-1 3/8"	D-S2	12'-10 3/4"
A-H4	22'-5"	B-H4	30'-0 1/2"	C-H6	23'-7 1/4"		
A-H5	30'-1 1/2"	B-H5	25'-7 5/8"	C-S1	14'-10 3/4"		
		B-H6	17'-8 7/8"	C-S2	7'-2 1/4"		

**Date:** 5/10/2022

**Perimeter:** 103'-1 3/8"

**Drawn By:** JESSE H

**Area:** 650.2 SQ. FT.

**Scale:** 1/8" = 1'-0"

**Notes:** - - - -



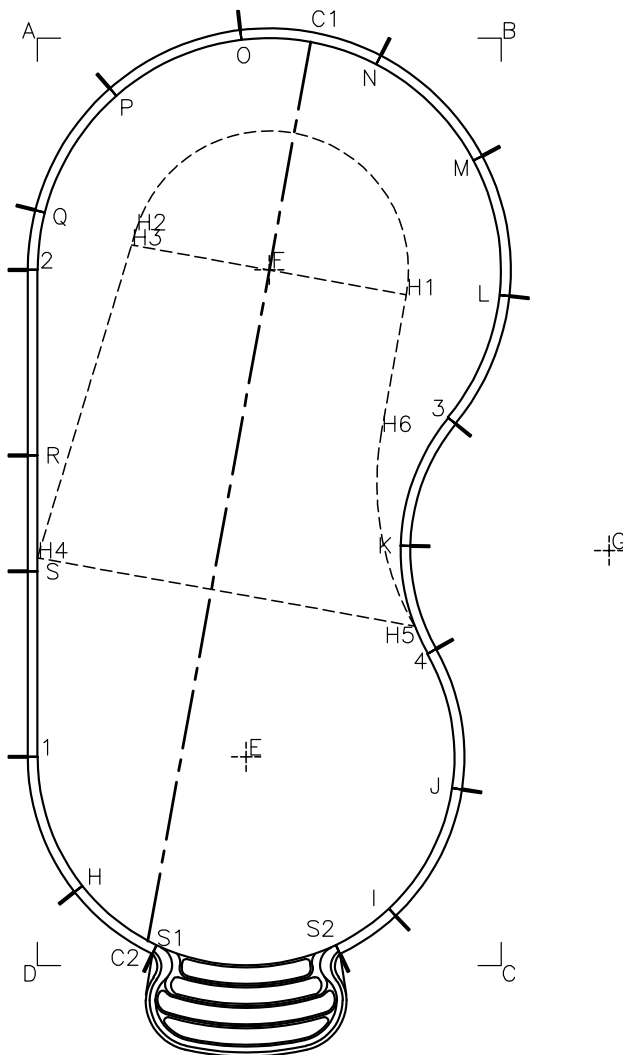
cardinalpools.com

This information is the confidential property of Cardinal Systems, Inc. Disclosure or duplication without proper written approval is strictly prohibited. Acceptance and use of this drawing constitutes knowledge and acceptance by the user of the terms and conditions set forth in the notice and warning which accompanied this drawing is incorporated herein and made part hereof and is found on Cardinal Systems, Inc's website at [www.CardinalSystemsInc.com](http://www.CardinalSystemsInc.com)



**Pool Size:** 20' X 40'      **Approx Gal:** 23,652  
**Pool Shape:** STRAIGHT WALL KIDNEY  
**Pool Number:** 2040SWK (PLASTIC)

250 Route 61 South, Schuylkill Haven, PA 17972 • 570-385-4733 • fax: 570-385-1318 • CustomerService@CardinalSystemsinc.com



**Date:** 5/10/2022

**Perimeter:** 103'-1 3/8"

**Drawn By:** JESSE H

**Area:** 650.2 SQ. FT.

**Scale:** 1/8" = 1'-0"

**Notes:** - - - -



This Information Is the confidential property of Cardinal Systems, Inc. Disclosure or duplication without proper written approval is strictly prohibited. Acceptance and use of this drawing constitutes knowledge and acceptance by the user of the terms and conditions set forth in the notice and warning which accompanied this drawing is incorporated herein and made part hereof and is found on Cardinal Systems, Inc's website at www.CardinalSystemsInc.com



# MARTINIQUE

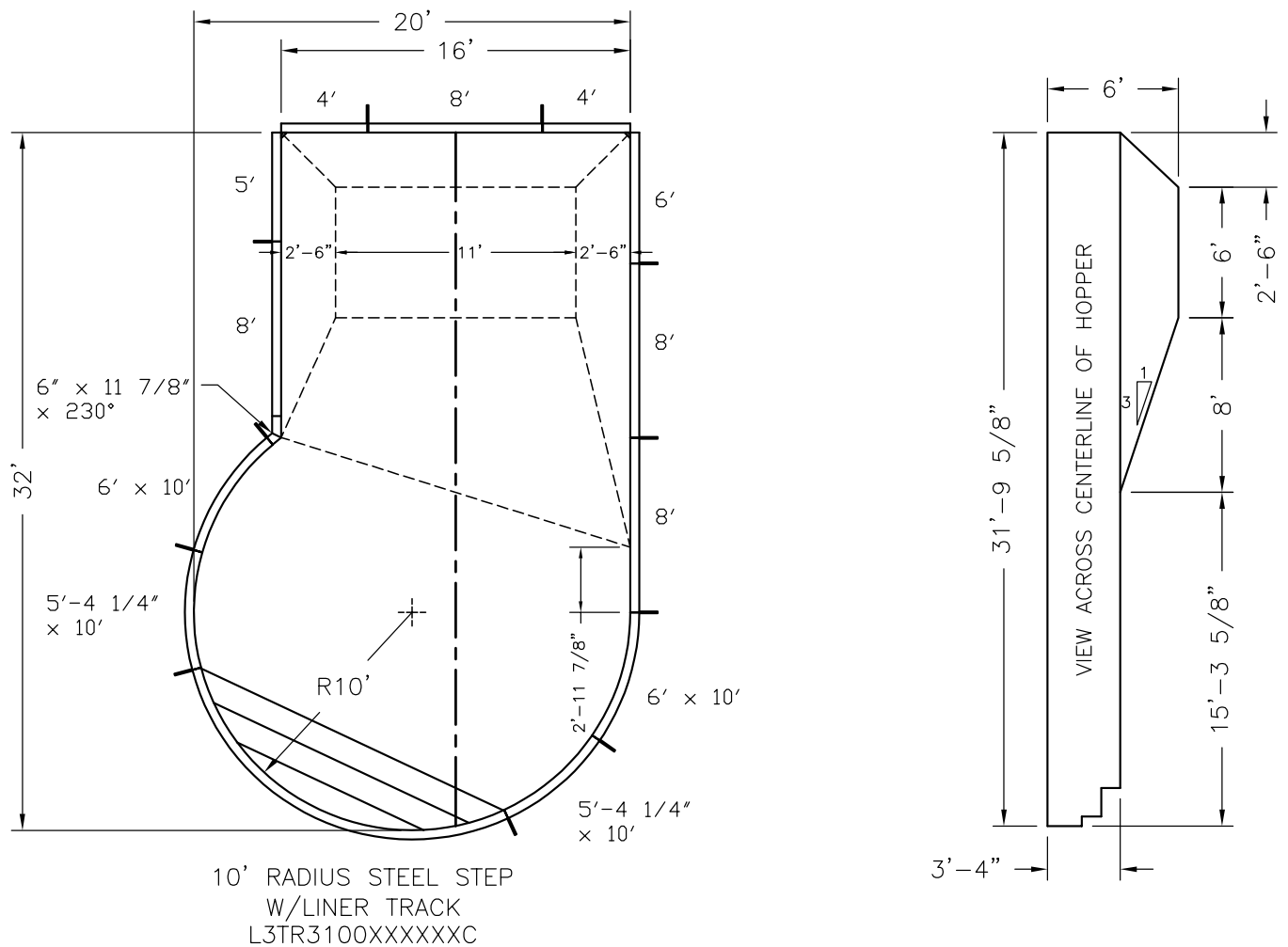


**Pool Size:** 16' X 32'  
**Pool Shape:** MARTINIQUE **Approx Gal:** 16,939  
**Pool Number:** 1632MART – 6 (STEEL)

250 Route 61 South, Schuylkill Haven, PA 17972 • 570-385-4733 • fax: 570-385-1318 • CustomerService@CardinalSystemsinc.com

## Bill of Materials

PART NO.	QUANTITY	DESCRIPTION
"A" FRAME	11	"A" FRAME ASSEMBLY
CS902SA	2	90 DEG CORNER ANGLE
CS902SB	2	6" RAD CORNER FILLER "BIG VEE"
L3TR3100XXXXXC	1	10' RADIUS STEEL STEP W/LINER TRACK
5C42542XX10000	2	5'-4 1/4" x 10' Radius C PANEL W/O Z
5C42600XX10000	2	6' x 10' Radius C PANEL W/O Z
5S42400XXX0	2	4' Straight PANEL W/O Z
5S42500XXX0	1	5' Straight PANEL W/O Z
5S42600XXX2	1	6' Straight PANEL W/2 Z
5S42800XXX2	4	8' Straight PANEL W/2 Z
5T420602300E7	1	6" x E 7/8" x 230° ELL



NOTE: THIS IS A NON DIVING POOL.

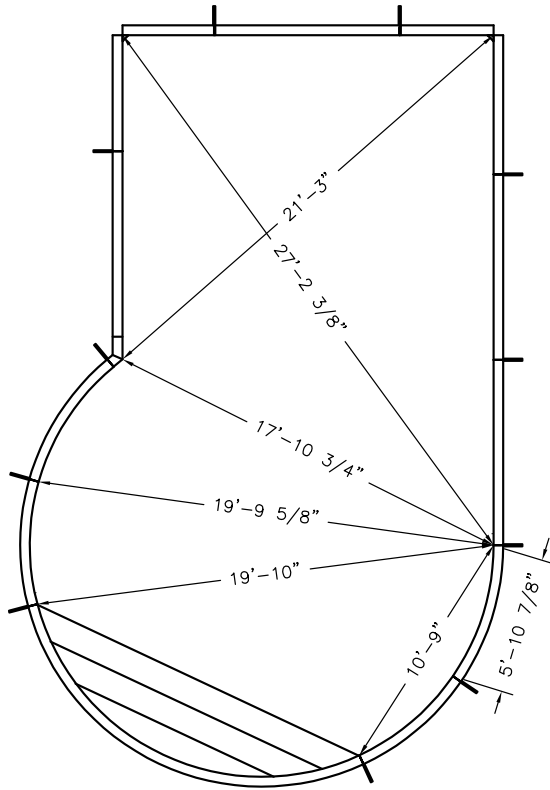
<b>Date:</b> 5/10/2022	<b>Perimeter:</b> 92'-8 1/4"	
<b>Drawn By:</b> JESSE H	<b>Area:</b> 531.4 SQ. FT.	
<b>Scale:</b> 1/8" = 1'-0"	<b>Notes:</b> - - - -	

This Information Is the confidential property of Cardinal Systems, Inc. Disclosure or duplication without proper written approval is strictly prohibited. Acceptance and use of this drawing constitutes knowledge and acceptance by the user of the terms and conditions set forth in the notice and warning which accompanied this drawing is incorporated herein and made part hereof and is found on Cardinal Systems, Inc's website at www.CardinalSystemsinc.com



**Pool Size:** 16' X 32'  
**Pool Shape:** MARTINIQUE **Approx Gal:** 16,939  
**Pool Number:** 1632MART – 6 (STEEL)

250 Route 61 South, Schuylkill Haven, PA 17972 • 570-385-4733 • fax: 570-385-1318 • CustomerService@CardinalSystemsinc.com



**Date:** 5/10/2022

**Perimeter:** 92'-8 1/4"

**Drawn By:** JESSE H

**Area:** 531.4 SQ. FT.

**Scale:** 1/8" = 1'-0"

**Notes:** -----



cardinalpools.com

This information is the confidential property of Cardinal Systems, Inc. Disclosure or duplication without proper written approval is strictly prohibited. Acceptance and use of this drawing constitutes knowledge and acceptance by the user of the terms and conditions set forth in the notice and warning which accompanied this drawing is incorporated herein and made part hereof and is found on Cardinal Systems, Inc's website at www.CardinalSystemsInc.com

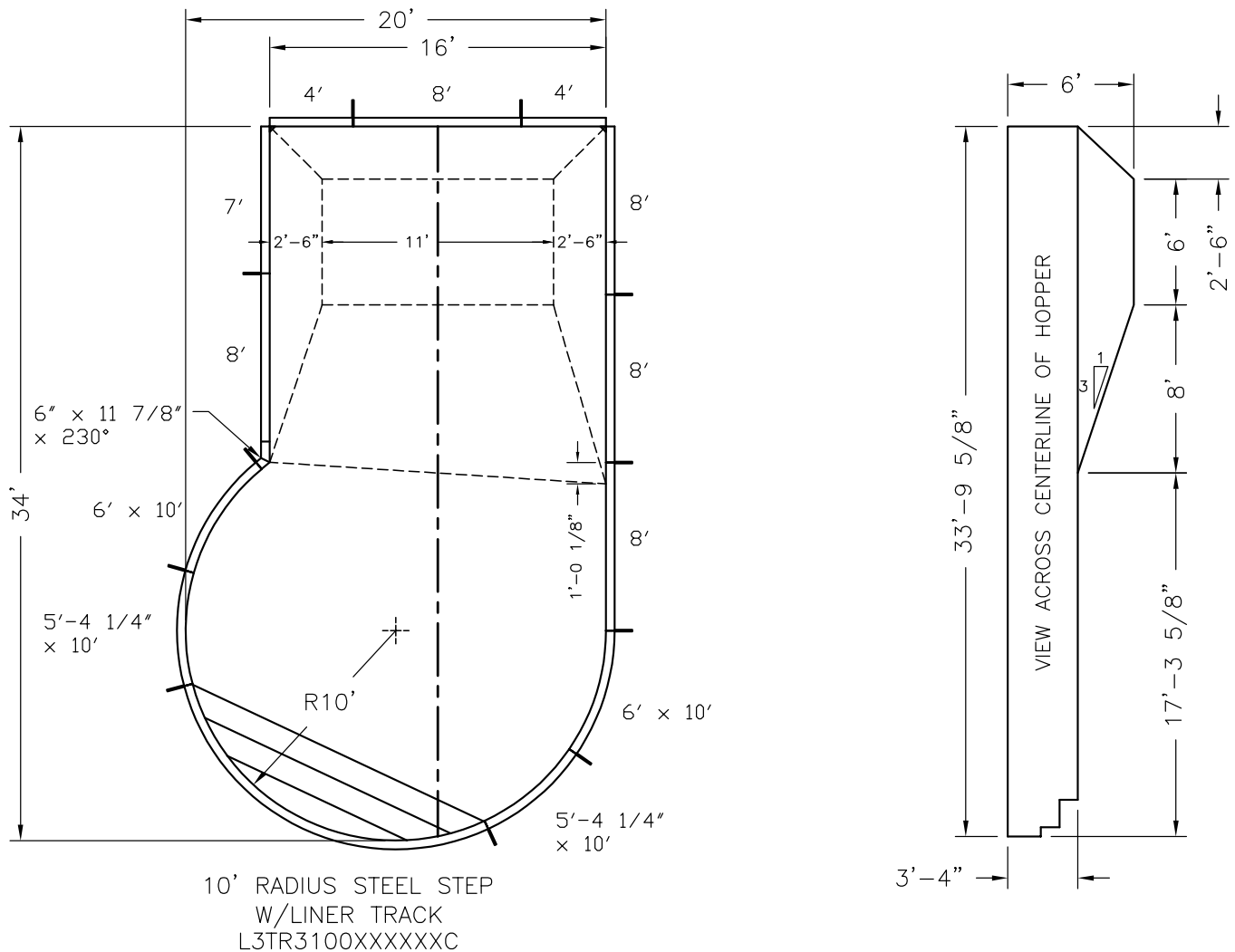


**Pool Size:** 16' X 34'  
**Pool Shape:** MARTINIQUE **Approx Gal:** 17,959  
**Pool Number:** 1634MART – 6 (STEEL)


250 Route 61 South, Schuylkill Haven, PA 17972 • 570-385-4733 • fax: 570-385-1318 • CustomerService@CardinalSystemsinc.com

Bill of Materials

PART NO.	QUANTITY	DESCRIPTION
"A" FRAME	11	"A" FRAME ASSEMBLY
CS902SA	2	90 DEG CORNER ANGLE
CS902SB	2	6" RAD CORNER FILLER "BIG VEE"
L3TR3100XXXXXC	1	10' RADIUS STEEL STEP W/LINER TRACK
5C42542XX10000	2	5'-4 1/4" x 10' Radius C PANEL W/O Z
5C42600XX10000	2	6' x 10' Radius C PANEL W/O Z
5S42400XXX0	2	4' Straight PANEL W/O Z
5S42700XXX2	1	7' Straight PANEL W/2 Z
5S42800XXX2	5	8' Straight PANEL W/2 Z
5T420602300E7	1	6" x E 7/8" x 230° ELL



NOTE: THIS IS A NON DIVING POOL.

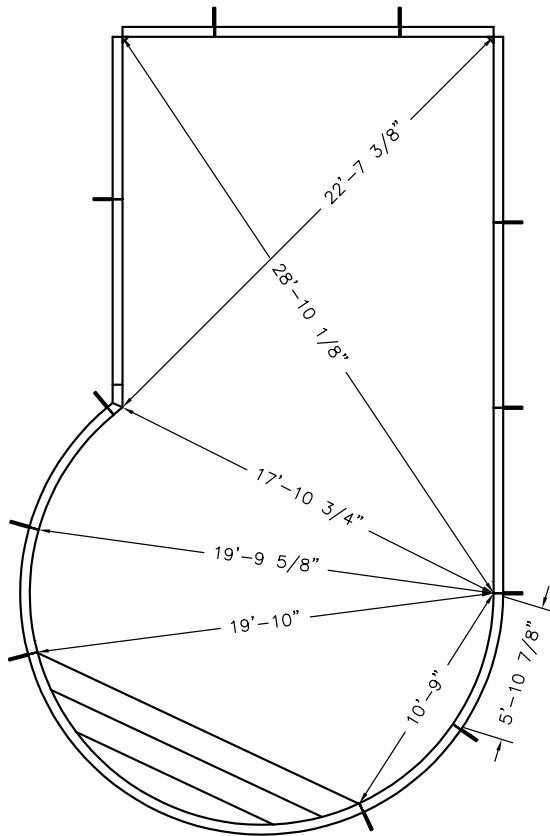
<b>Date:</b> 5/10/2022	<b>Perimeter:</b> 96'-8 1/4"	 cardinalpools.com
<b>Drawn By:</b> JESSE H	<b>Area:</b> 563.4 SQ. FT.	
<b>Scale:</b> 1/8" = 1'-0"	<b>Notes:</b> - - - -	


This information is the confidential property of Cardinal Systems, Inc. Disclosure or duplication without proper written approval is strictly prohibited. Acceptance and use of this drawing constitutes knowledge and acceptance by the user of the terms and conditions set forth in the notice and warning which accompanied this drawing is incorporated herein and made part hereof and is found on Cardinal Systems, Inc's website at www.CardinalSystemsInc.com



**Pool Size:** 16' X 34'  
**Pool Shape:** MARTINIQUE **Approx Gal:** 17,959  
**Pool Number:** 1634MART – 6 (STEEL)

250 Route 61 South, Schuylkill Haven, PA 17972 • 570-385-4733 • fax: 570-385-1318 • CustomerService@CardinalSystemsinc.com



<b>Date:</b> 5/10/2022	<b>Perimeter:</b> 96' – 8 1/4"	 cardinalpools.com
<b>Drawn By:</b> JESSE H	<b>Area:</b> 563.4 SQ. FT.	
<b>Scale:</b> 1/8" = 1'-0"	<b>Notes:</b> -----	

This information is the confidential property of Cardinal Systems, Inc. Disclosure or duplication without proper written approval is strictly prohibited. Acceptance and use of this drawing constitutes knowledge and acceptance by the user of the terms and conditions set forth in the notice and warning which accompanied this drawing is incorporated herein and made part hereof and is found on Cardinal Systems, Inc's website at www.CardinalSystemsInc.com

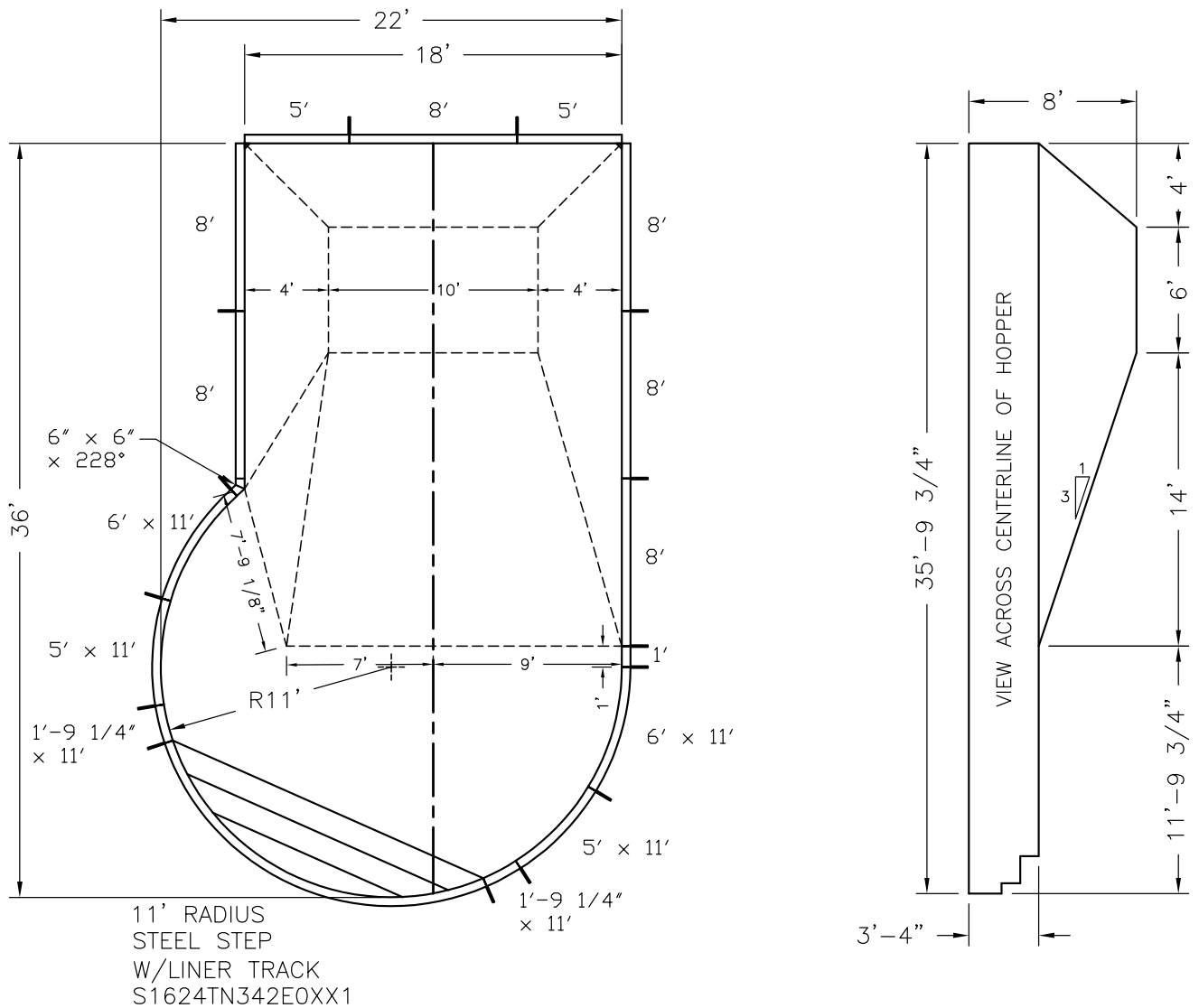


**Pool Size:** 18' X 36'  
**Pool Shape:** MARTINIQUE **Approx Gal:** 24,143  
**Pool Number:** 1836MART – 6 (STEEL)

250 Route 61 South, Schuylkill Haven, PA 17972 • 570-385-4733 • fax: 570-385-1318 • CustomerService@CardinalSystemsinc.com

### Bill of Materials

PART NO.	QUANTITY	DESCRIPTION
"A" FRAME	14	"A" FRAME ASSEMBLY
CS902SA	2	90 DEG CORNER ANGLE
CS902SB	2	6" RAD CORNER FILLER "BIG VEE"
S1624TN342E0XX1	1	11' RADIUS STEEL STEP W/LINER TRACK
5C42192XX11000	2	1'-9 1/4" x 11' Radius C PANEL W/O Z
5C42500XX11000	2	5' x 11' Radius C PANEL W/O Z
5C42600XX11000	2	6' x 11' Radius C PANEL W/O Z
5S42100XXX0	1	1' Straight PANEL W/O Z
5S42500XXX0	2	5' Straight PANEL W/O Z
5S42800XXX2	6	8' Straight PANEL W/2 Z
5T42060228060	1	6" x 6" x 228° ELL



**Date:** 5/10/2022

**Perimeter:** 103'-9 1/8"

**Drawn By:** JESSE H

**Area:** 663.7 SQ. FT.

**Scale:** 1/8" = 1'-0"

**Notes:** - - - -



cardinalpools.com

This information is the confidential property of Cardinal Systems, Inc. Disclosure or duplication without proper written approval is strictly prohibited. Acceptance and use of this drawing constitutes knowledge and acceptance by the user of the terms and conditions set forth in the notice and warning which accompanied this drawing is incorporated herein and made part hereof and is found on Cardinal Systems, Inc's website at www.CardinalSystemsInc.com



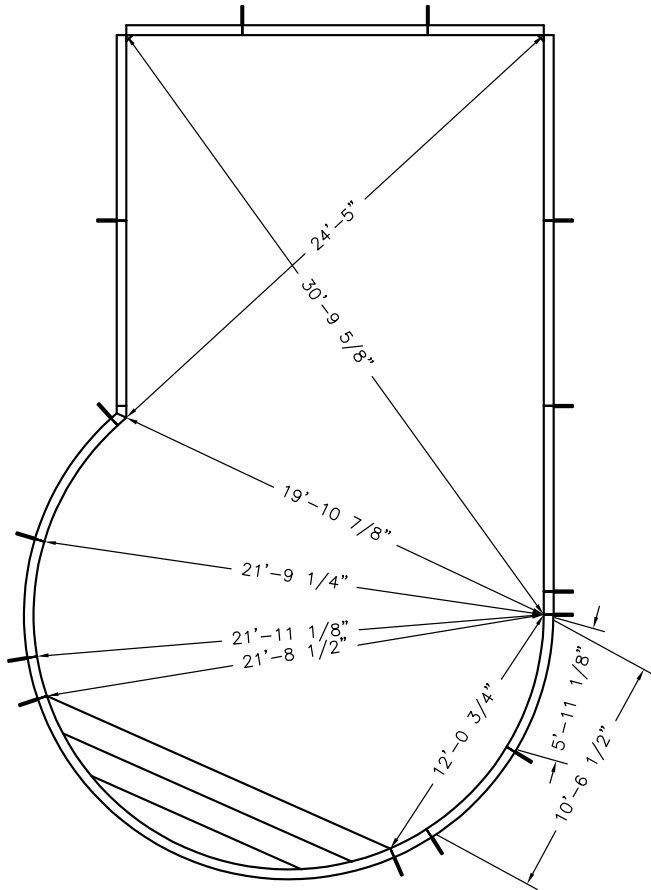
**Pool Size:** 18' X 36'


**Pool Shape:** MARTINIQUE

**Approx Gal:** 24,143

**Pool Number:** 1836MART - 6 (STEEL)

250 Route 61 South, Schuylkill Haven, PA 17972 • 570-385-4733 • fax: 570-385-1318 • CustomerService@CardinalSystemsInc.com



<b>Date:</b> 5/10/2022	<b>Perimeter:</b> 103'-9 1/8"	 cardinalpools.com
<b>Drawn By:</b> JESSE H	<b>Area:</b> 663.7 SQ. FT.	
<b>Scale:</b> 1/8" = 1'-0"	<b>Notes:</b> -----	

This information is the confidential property of Cardinal Systems, Inc. Disclosure or duplication without proper written approval is strictly prohibited. Acceptance and use of this drawing constitutes knowledge and acceptance by the user of the terms and conditions set forth in the notice and warning which accompanied this drawing is incorporated herein and made part hereof and is found on Cardinal Systems, Inc's website at [www.CardinalSystemsInc.com](http://www.CardinalSystemsInc.com)

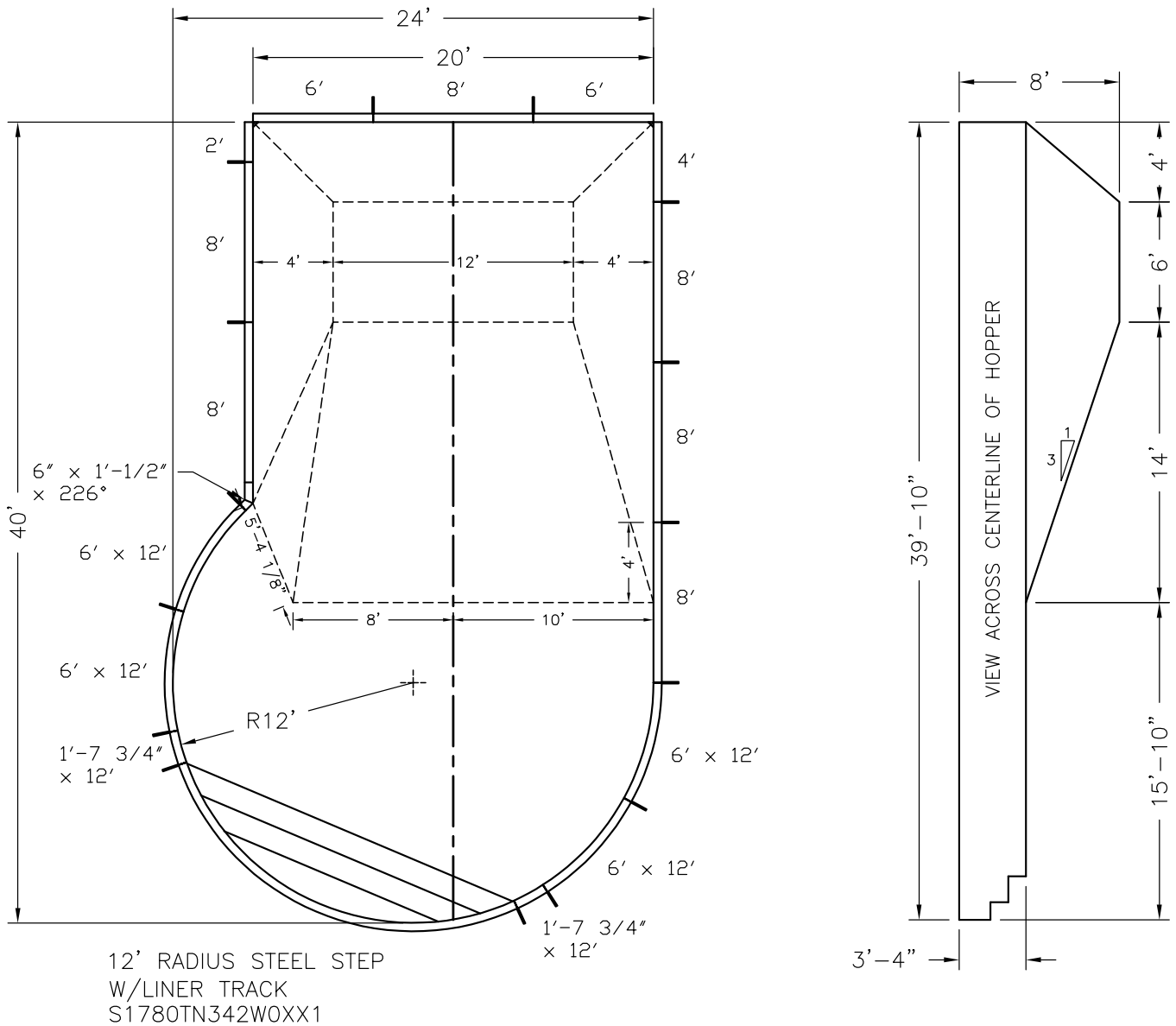



**Pool Size:** 20' X 40'  
**Pool Shape:** MARTINIQUE **Approx Gal:** 29,501  
**Pool Number:** 2040MART – 6 (STEEL)

250 Route 61 South, Schuylkill Haven, PA 17972 • 570-385-4733 • fax: 570-385-1318 • CustomerService@CardinalSystemsInc.com

### Bill of Materials

PART NO.	QUANTITY	DESCRIPTION
"A" FRAME	15	"A" FRAME ASSEMBLY
CS902SA	2	90 DEG CORNER ANGLE
CS902SB	2	6" RAD CORNER FILLER "BIG VEE"
S1780TN342W0XX1	1	12' RADIUS STEEL STEP W/LINER TRACK
5C42176XX12000	2	1'-7 3/4" x 12' Radius C PANEL W/O Z
5C42600XX12000	4	6' x 12' Radius C PANEL W/O Z
5S42200XXX0	1	2' Straight PANEL W/O Z
5S42400XXX0	1	4' Straight PANEL W/O Z
5S42600XXX1	2	6' Straight PANEL W/O Z
5S42800XXX2	6	8' Straight PANEL W/O Z
5T42060226104	1	6" x 1'-1/2" x 226° ELL



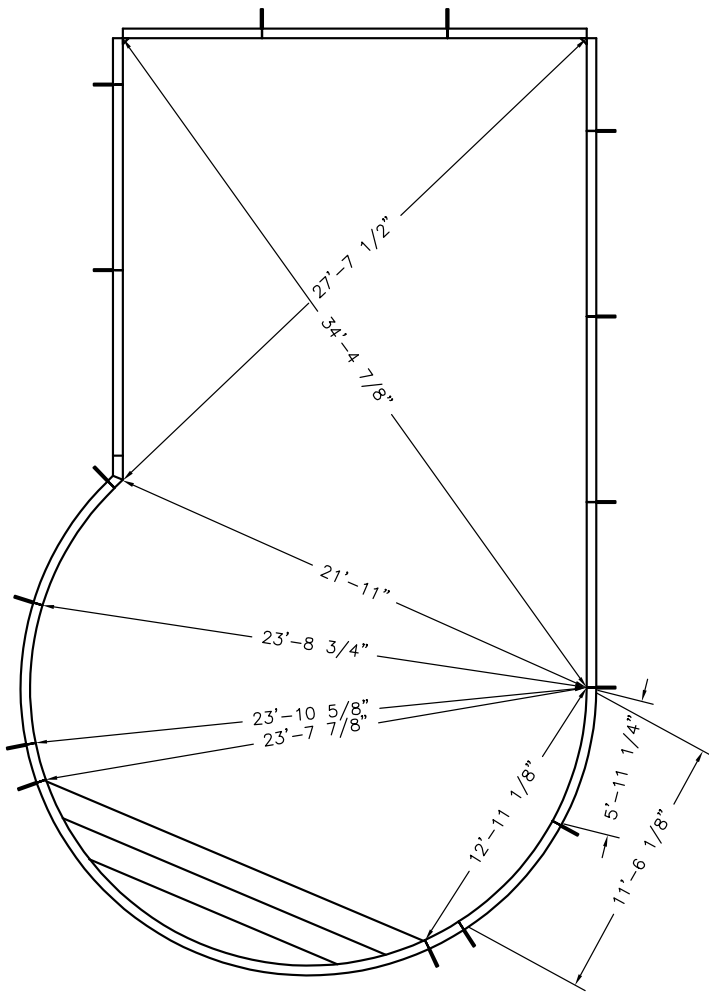
<b>Date:</b> 5/10/2022	<b>Perimeter:</b> 114'-10 1/8"	 <small>cardinalpools.com</small>
<b>Drawn By:</b> JESSE H	<b>Area:</b> 811.0 SQ. FT.	
<b>Scale:</b> 1/8" = 1'-0"	<b>Notes:</b> - - - -	

This information is the confidential property of Cardinal Systems, Inc. Disclosure or duplication without proper written approval is strictly prohibited. Acceptance and use of this drawing constitutes knowledge and acceptance by the user of the terms and conditions set forth in the notice and warning which accompanied this drawing is incorporated herein and made part hereof and is found on Cardinal Systems, Inc's website at [www.CardinalSystemsInc.com](http://www.CardinalSystemsInc.com)



**Pool Size:** 20' X 40'  
**Pool Shape:** MARTINIQUE **Approx Gal:** 29,501  
**Pool Number:** 2040MART – 6 (STEEL)

250 Route 61 South, Schuylkill Haven, PA 17972 • 570-385-4733 • fax: 570-385-1318 • CustomerService@CardinalSystemsinc.com



**Date:** 5/10/2022

**Perimeter:** 114'-10 1/8"

**Drawn By:** JESSE H

**Area:** 811.0 SQ. FT.

**Scale:** 1/8" = 1'-0"

**Notes:** -----



cardinalpools.com

This information is the confidential property of Cardinal Systems, Inc. Disclosure or duplication without proper written approval is strictly prohibited. Acceptance and use of this drawing constitutes knowledge and acceptance by the user of the terms and conditions set forth in the notice and warning which accompanied this drawing is incorporated herein and made part hereof and is found on Cardinal Systems, Inc's website at www.CardinalSystemsInc.com



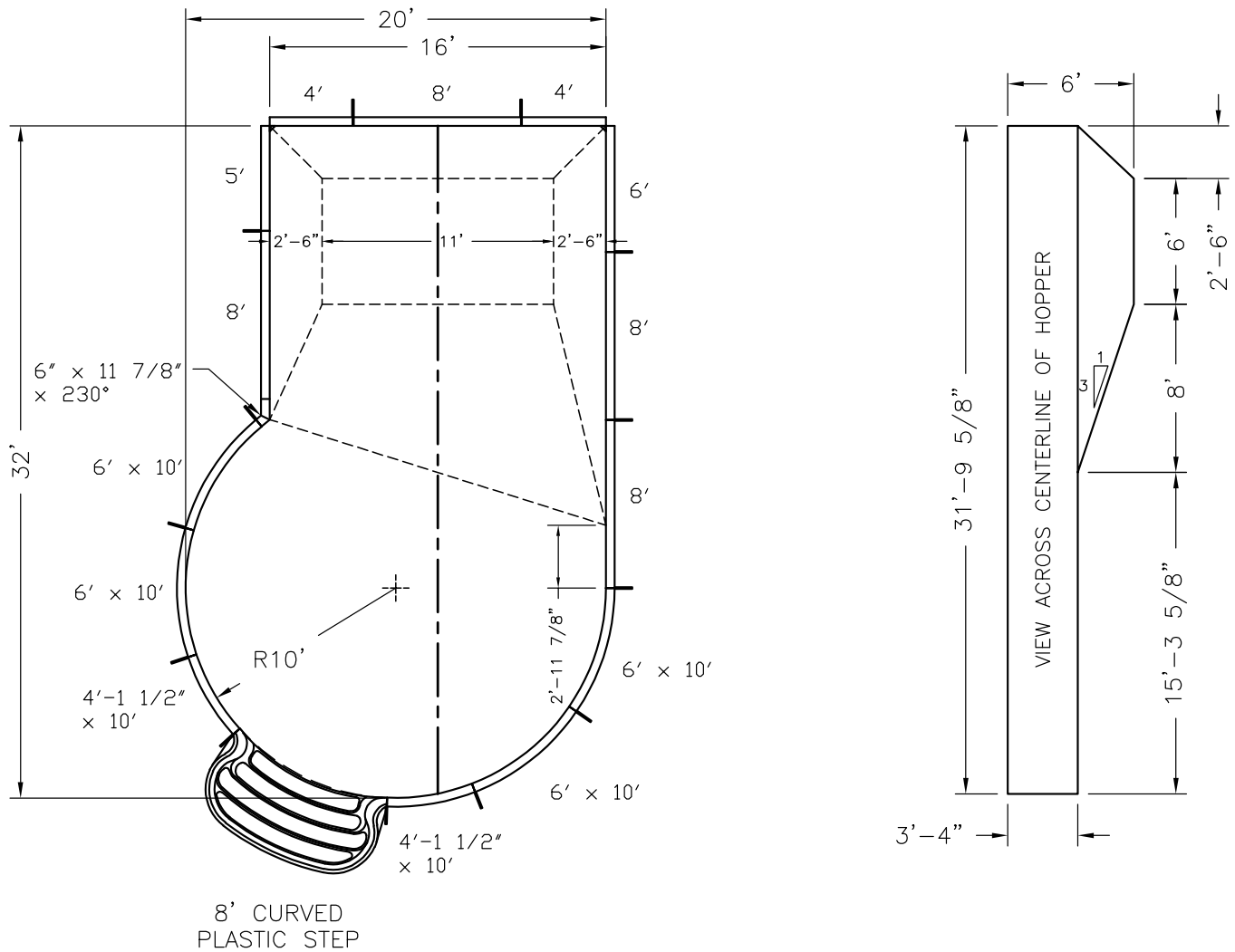


**Pool Size:** 16' X 32'  
**Pool Shape:** MARTINIQUE **Approx Gal:** 16,955  
**Pool Number:** 1632MART – 6 (PLASTIC)

250 Route 61 South, Schuylkill Haven, PA 17972 • 570-385-4733 • fax: 570-385-1318 • CustomerService@CardinalSystemsinc.com

Bill of Materials

PART NO.	QUANTITY	DESCRIPTION
"A" FRAME	13	"A" FRAME ASSEMBLY
CS902SA	2	90 DEG CORNER ANGLE
CS902SB	2	6" RAD CORNER FILLER "BIG VEE"
5C42414XX10000	2	4'-1 1/2" x 10' Radius C PANEL W/0 Z
5C42600XX10000	4	6' x 10' Radius C PANEL W/0 Z
5S42400XXX0	2	4' Straight PANEL W/0 Z
5S42500XXX0	1	5' Straight PANEL W/0 Z
5S42600XXX2	1	6' Straight PANEL W/2 Z
5S42800XXX2	4	8' Straight PANEL W/2 Z
5T420602300E7	1	6" x E 7/8" x 230° ELL



NOTE: THIS IS A NON DIVING POOL.

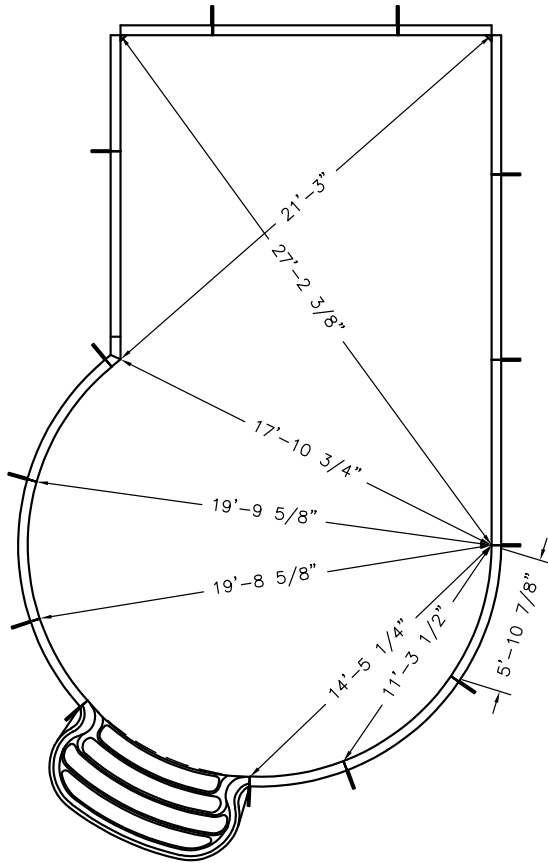
<b>Date:</b> 5/10/2022	<b>Perimeter:</b> 92'-8 7/8"	
<b>Drawn By:</b> JESSE H	<b>Area:</b> 531.9 SQ. FT.	
<b>Scale:</b> 1/8" = 1'-0"	<b>Notes:</b> - - - -	


This information is the confidential property of Cardinal Systems, Inc. Disclosure or duplication without proper written approval is strictly prohibited. Acceptance and use of this drawing constitutes knowledge and acceptance by the user of the terms and conditions set forth in the notice and warning which accompanied this drawing is incorporated herein and made part hereof and is found on Cardinal Systems, Inc's website at www.CardinalSystemsInc.com



**Pool Size:** 16' X 32'  
**Pool Shape:** MARTINIQUE **Approx Gal:** 16,955  
**Pool Number:** 1632MART – 6 (PLASTIC)

250 Route 61 South, Schuylkill Haven, PA 17972 • 570-385-4733 • fax: 570-385-1318 • CustomerService@CardinalSystemsinc.com



<b>Date:</b> 5/10/2022	<b>Perimeter:</b> 92' – 8 7/8"	 cardinalpools.com
<b>Drawn By:</b> JESSE H	<b>Area:</b> 531.9 SQ. FT.	
<b>Scale:</b> 1/8" = 1'-0"	<b>Notes:</b> -----	

This information is the confidential property of Cardinal Systems, Inc. Disclosure or duplication without proper written approval is strictly prohibited. Acceptance and use of this drawing constitutes knowledge and acceptance by the user of the terms and conditions set forth in the notice and warning which accompanied this drawing is incorporated herein and made part hereof and is found on Cardinal Systems, Inc's website at www.CardinalSystemsInc.com

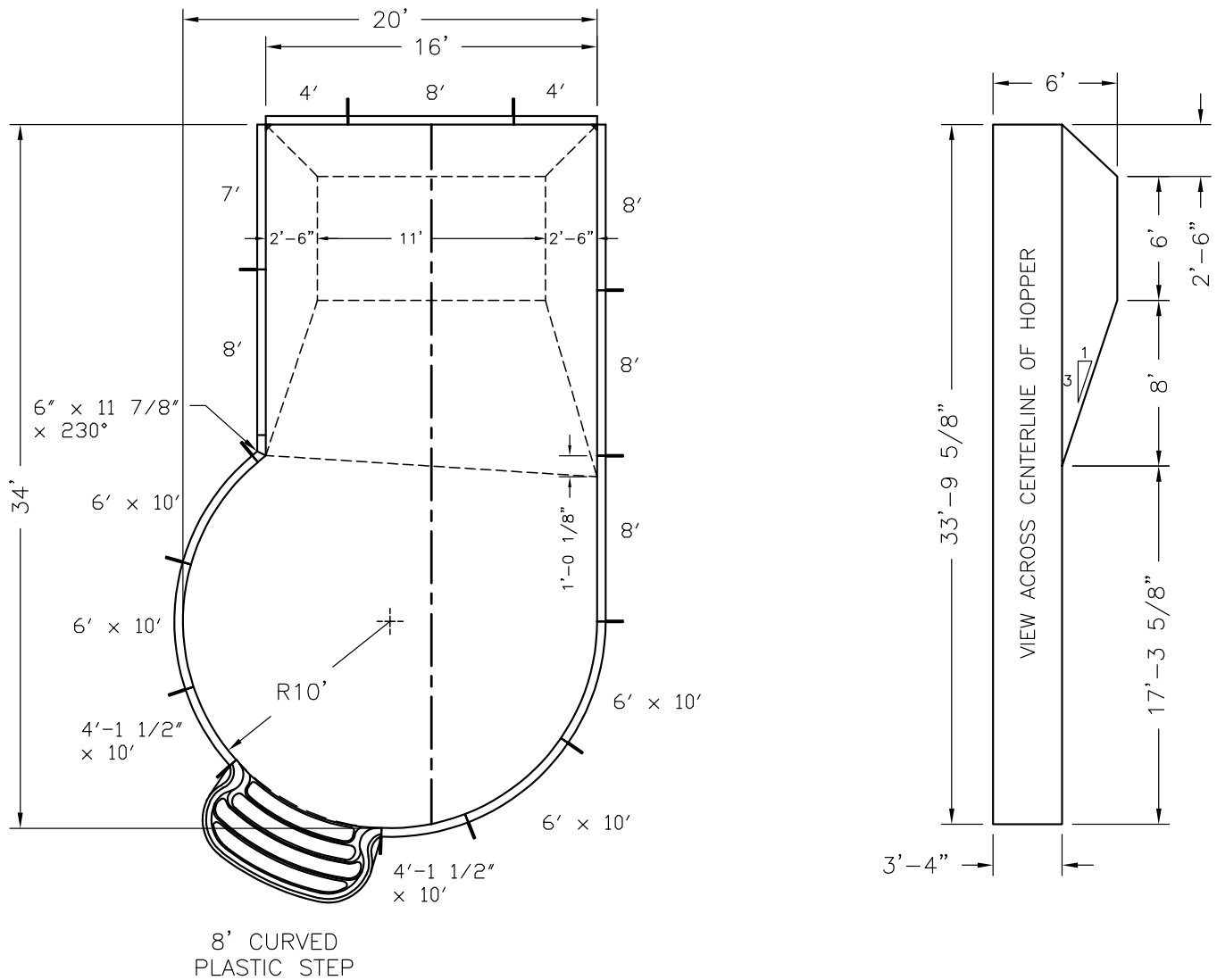


**Pool Size:** 16' X 34'  
**Pool Shape:** MARTINIQUE **Approx Gal:** 17,975  
**Pool Number:** 1634MART – 6 (PLASTIC)

250 Route 61 South, Schuylkill Haven, PA 17972 • 570-385-4733 • fax: 570-385-1318 • CustomerService@CardinalSystemsinc.com

Bill of Materials

PART NO.	QUANTITY	DESCRIPTION
"A" FRAME	13	"A" FRAME ASSEMBLY
CS902SA	2	90 DEG CORNER ANGLE
CS902SB	2	6" RAD CORNER FILLER "BIG VEE"
5C42414XX10000	2	4'-1 1/2" x 10' Radius C PANEL W/O Z
5C42600XX10000	4	6' x 10' Radius C PANEL W/O Z
5S42400XXX0	2	4' Straight PANEL W/O Z
5S42700XXX2	1	7' Straight PANEL W/2 Z
5S42800XXX2	5	8' Straight PANEL W/2 Z
5T420602300E7	1	6" x E 7/8" x 230° ELL



NOTE: THIS IS A NON DIVING POOL.

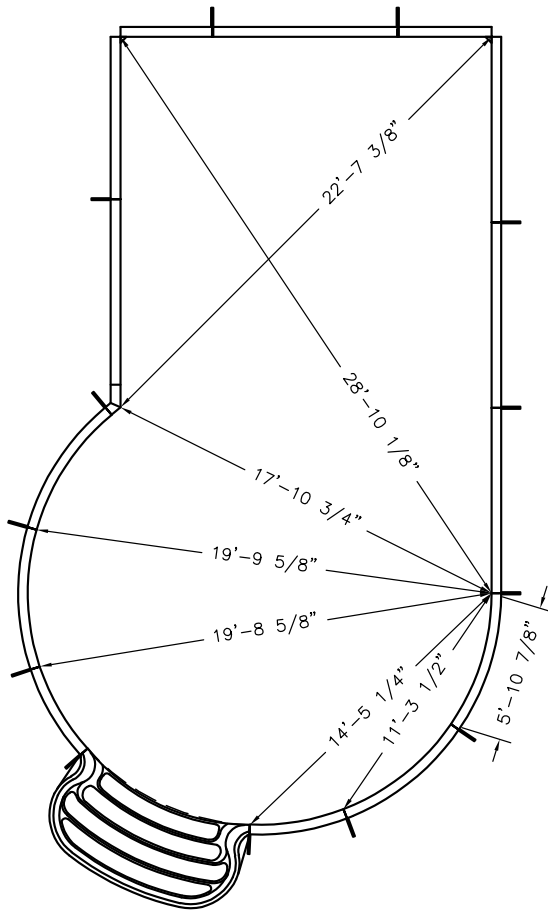
<b>Date:</b> 5/10/2022	<b>Perimeter:</b> 96'-8 7/8"	
<b>Drawn By:</b> JESSE H	<b>Area:</b> 563.9 SQ. FT.	
<b>Scale:</b> 1/8" = 1'-0"	<b>Notes:</b> - - - -	


This information is the confidential property of Cardinal Systems, Inc. Disclosure or duplication without proper written approval is strictly prohibited. Acceptance and use of this drawing constitutes knowledge and acceptance by the user of the terms and conditions set forth in the notice and warning which accompanied this drawing is incorporated herein and made part hereof and is found on Cardinal Systems, Inc's website at www.CardinalSystemsInc.com



**Pool Size:** 16' X 34'  
**Pool Shape:** MARTINIQUE **Approx Gal:** 17,975  
**Pool Number:** 1634MART – 6 (PLASTIC)

250 Route 61 South, Schuylkill Haven, PA 17972 • 570-385-4733 • fax: 570-385-1318 • CustomerService@CardinalSystemsinc.com



<b>Date:</b> 5/10/2022	<b>Perimeter:</b> 96'-8 7/8"	 cardinalpools.com
<b>Drawn By:</b> JESSE H	<b>Area:</b> 563.9 SQ. FT.	
<b>Scale:</b> 1/8" = 1'-0"	<b>Notes:</b> -----	

This information is the confidential property of Cardinal Systems, Inc. Disclosure or duplication without proper written approval is strictly prohibited. Acceptance and use of this drawing constitutes knowledge and acceptance by the user of the terms and conditions set forth in the notice and warning which accompanied this drawing is incorporated herein and made part hereof and is found on Cardinal Systems, Inc's website at www.CardinalSystemsInc.com

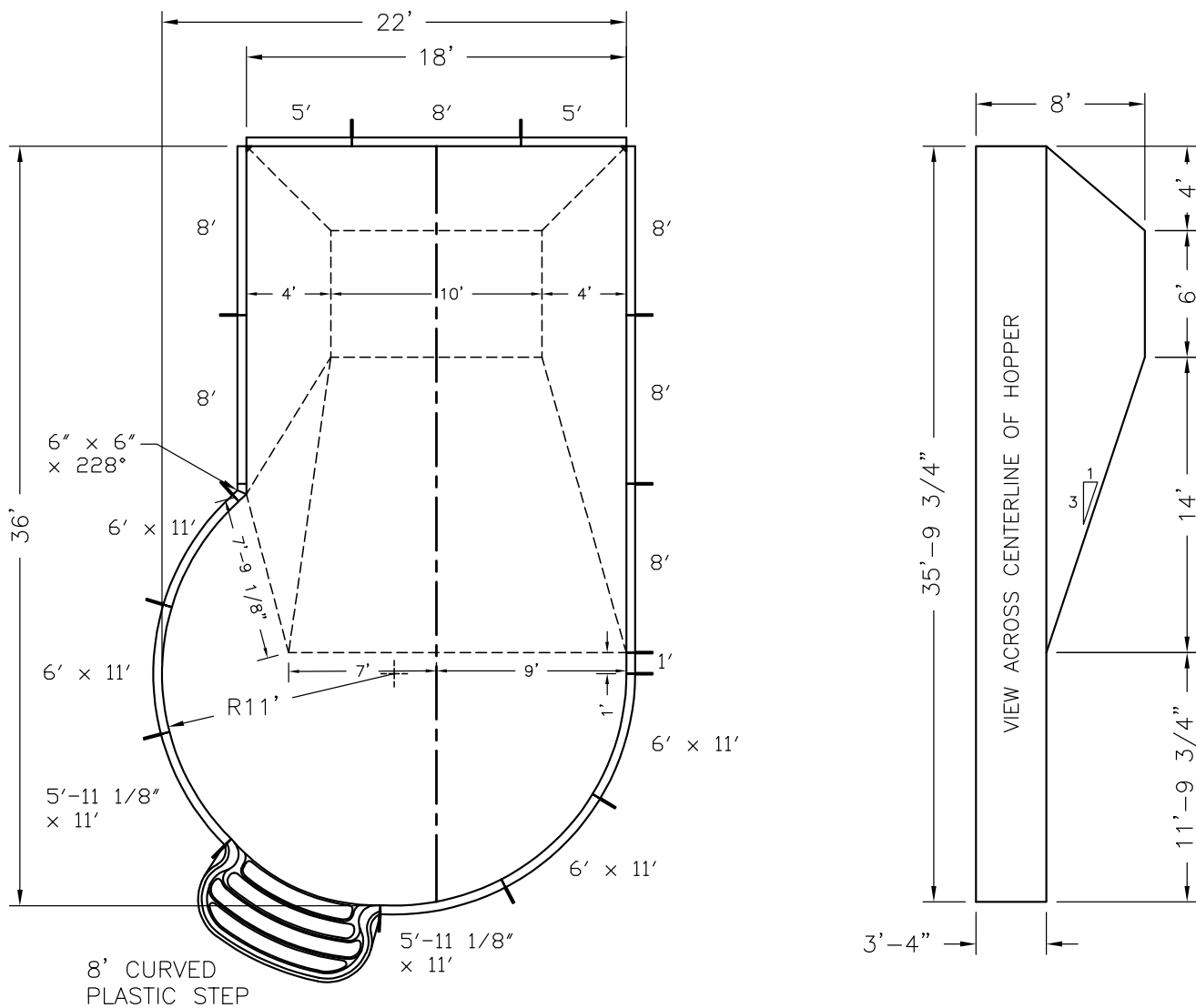


**Pool Size:** 18' X 36'  
**Pool Shape:** MARTINIQUE **Approx Gal:** 24,175  
**Pool Number:** 1836MART – 6 (PLASTIC)

250 Route 61 South, Schuylkill Haven, PA 17972 • 570-385-4733 • fax: 570-385-1318 • CustomerService@CardinalSystemsinc.com

### Bill of Materials

PART NO.	QUANTITY	DESCRIPTION
"A" FRAME	14	"A" FRAME ASSEMBLY
CS902SA	2	90 DEG CORNER ANGLE
CS902SB	2	6" RAD CORNER FILLER "BIG VEE"
5C425E1XX11000	2	5'-11 1/8" x 11' Radius C PANEL W/0 Z
5C42600XX11000	4	6' x 11' Radius C PANEL W/0 Z
5S42100XXX0	1	1' Straight PANEL W/0 Z
5S42500XXX0	2	5' Straight PANEL W/0 Z
5S42800XXX2	6	8' Straight PANEL W/2 Z
5T42060228060	1	6" x 6" x 228° ELL



**Date:** 5/10/2022

**Perimeter:** 103'-10 1/4"

**Drawn By:** JESSE H

**Area:** 664.6 SQ. FT.

**Scale:** 1/8" = 1'-0"

**Notes:** - - - -



cardinalpools.com

This information is the confidential property of Cardinal Systems, Inc. Disclosure or duplication without proper written approval is strictly prohibited. Acceptance and use of this drawing constitutes knowledge and acceptance by the user of the terms and conditions set forth in the notice and warning which accompanied this drawing is incorporated herein and made part hereof and is found on Cardinal Systems, Inc's website at www.CardinalSystemsInc.com



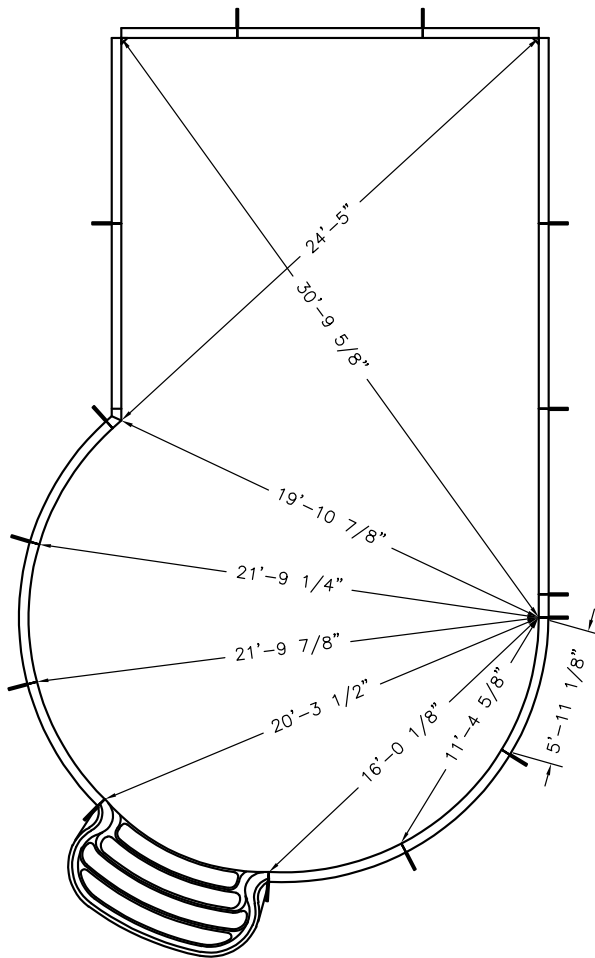
**Pool Size:** 18' X 36'

**Pool Shape:** MARTINIQUE

**Approx Gal:** 24,175

**Pool Number:** 1836MART – 6 (PLASTIC)

250 Route 61 South, Schuylkill Haven, PA 17972 • 570-385-4733 • fax: 570-385-1318 • CustomerService@CardinalSystemsinc.com



**Date:** 5/10/2022

**Perimeter:** 103'-10 1/4"

**Drawn By:** JESSE H

**Area:** 664.6 SQ. FT.

**Scale:** 1/8" = 1'-0"

**Notes:** -----



cardinalpools.com

This information is the confidential property of Cardinal Systems, Inc. Disclosure or duplication without proper written approval is strictly prohibited. Acceptance and use of this drawing constitutes knowledge and acceptance by the user of the terms and conditions set forth in the notice and warning which accompanied this drawing is incorporated herein and made part hereof and is found on Cardinal Systems, Inc's website at www.CardinalSystemsInc.com

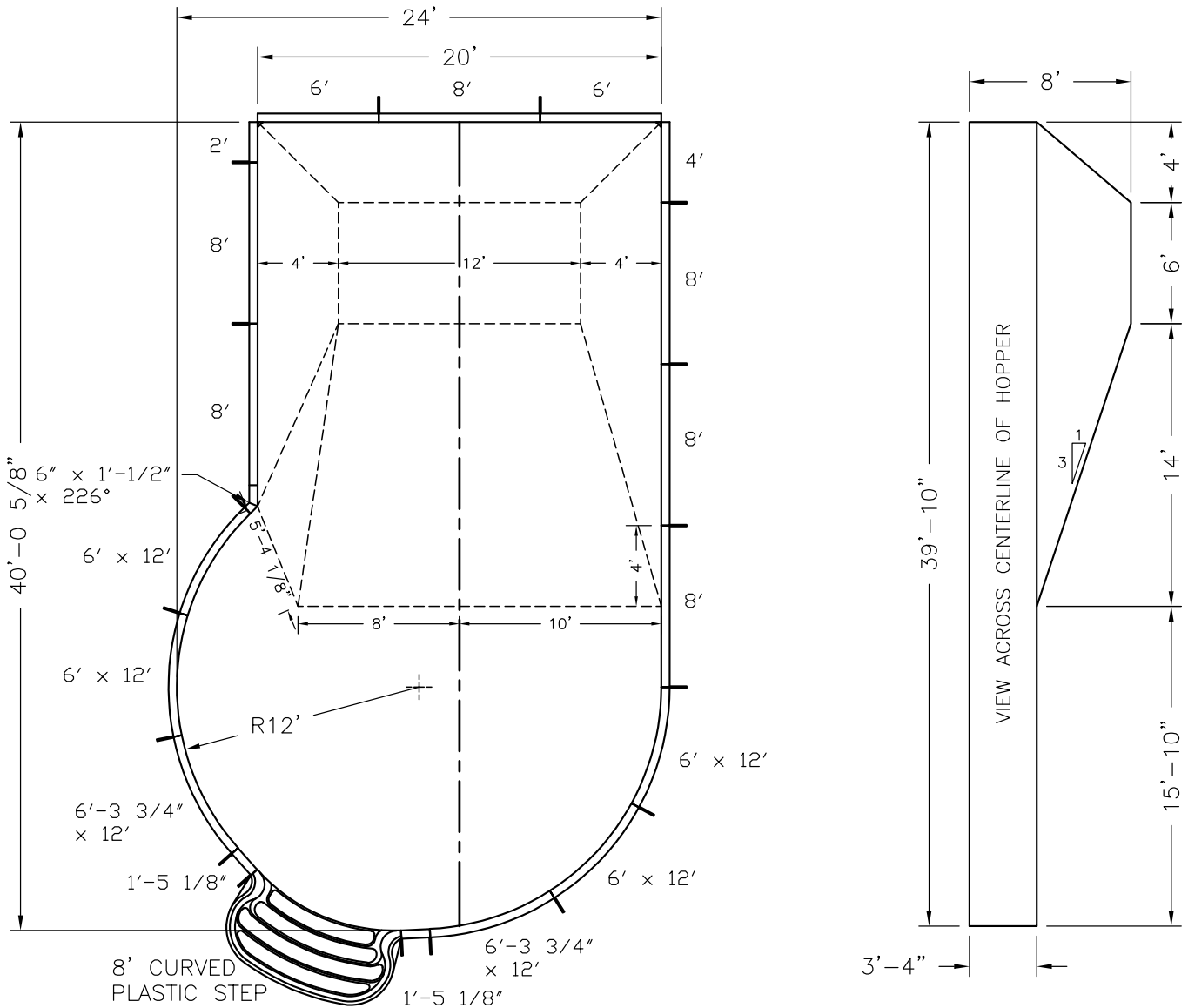


**Pool Size:** 20' X 40'  
**Pool Shape:** MARTINIQUE **Approx Gal:** 29,573  
**Pool Number:** 2040MART – 6 (PLASTIC)

250 Route 61 South, Schuylkill Haven, PA 17972 • 570-385-4733 • fax: 570-385-1318 • CustomerService@CardinalSystemsinc.com

Bill of Materials

PART NO.	QUANTITY	DESCRIPTION
"A" FRAME	17	"A" FRAME ASSEMBLY
CS902SA	2	90 DEG CORNER ANGLE
CS902SB	2	6" RAD CORNER FILLER "BIG VEE"
5C42600XX12000	4	6' x 12' Radius C PANEL W/0 Z
5C42636XX12000	2	6'-3 3/4" x 12' Radius C PANEL W/0 Z
5S42151XXX0	2	1'-5 1/8" Straight PANEL W/0 Z
5S42200XXX0	1	2' Straight PANEL W/0 Z
5S42400XXX0	1	4' Straight PANEL W/0 Z
5S42600XXX1	2	6' Straight PANEL W/1 Z
5S42800XXX2	6	8' Straight PANEL W/2 Z
5T42060226104	1	6" x 1'-1/2" x 226° ELL



**Date:** 5/10/2022

**Perimeter:** 115'-0 3/8"

**Drawn By:** JESSE H

**Area:** 813.0 SQ. FT.

**Scale:** 1/8" = 1'-0"

**Notes:** - - - -



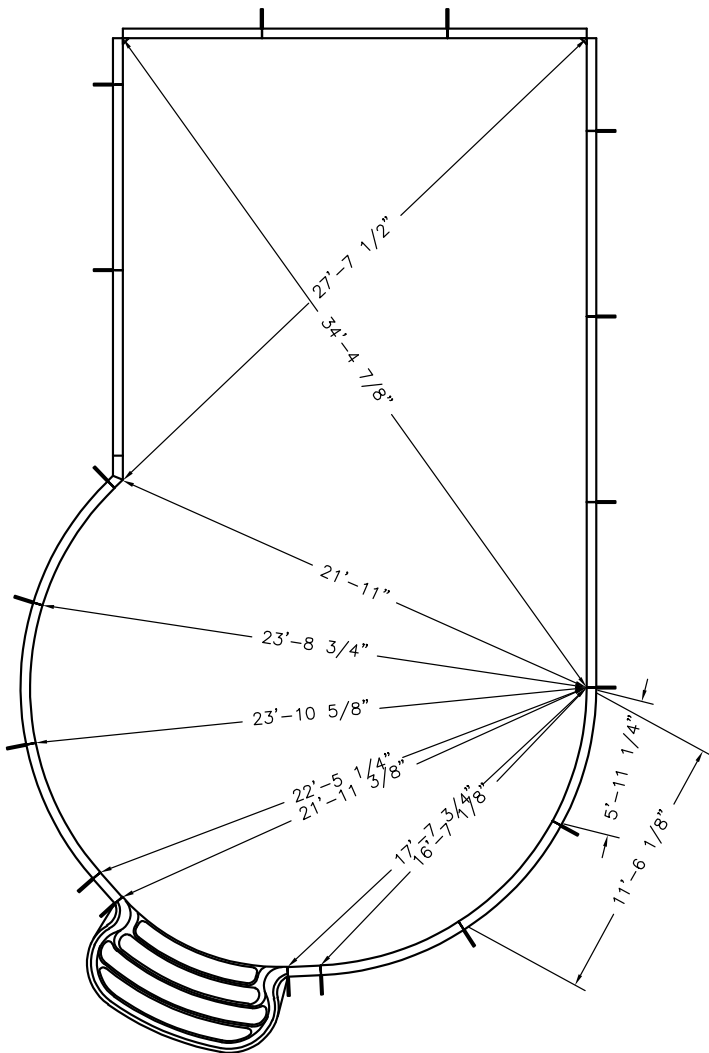
cardinalpools.com

This information is the confidential property of Cardinal Systems, Inc. Disclosure or duplication without proper written approval is strictly prohibited. Acceptance and use of this drawing constitutes knowledge and acceptance by the user of the terms and conditions set forth in the notice and warning which accompanied this drawing is incorporated herein and made part hereof and is found on Cardinal Systems, Inc's website at www.CardinalSystemsInc.com



**Pool Size:** 20' X 40'  
**Pool Shape:** MARTINIQUE **Approx Gal:** 29,573  
**Pool Number:** 2040MART – 6 (PLASTIC)

250 Route 61 South, Schuylkill Haven, PA 17972 • 570-385-4733 • fax: 570-385-1318 • CustomerService@CardinalSystemsinc.com



**Date:** 5/10/2022

**Drawn By:** JESSE H

**Scale:** 1/8" = 1'-0"

**Perimeter:** 115'-0 3/8"

**Area:** 813.0 SQ. FT.

**Notes:** -----



cardinalpools.com

This information is the confidential property of Cardinal Systems, Inc. Disclosure or duplication without proper written approval is strictly prohibited. Acceptance and use of this drawing constitutes knowledge and acceptance by the user of the terms and conditions set forth in the notice and warning which accompanied this drawing is incorporated herein and made part hereof and is found on Cardinal Systems, Inc's website at www.CardinalSystemsInc.com



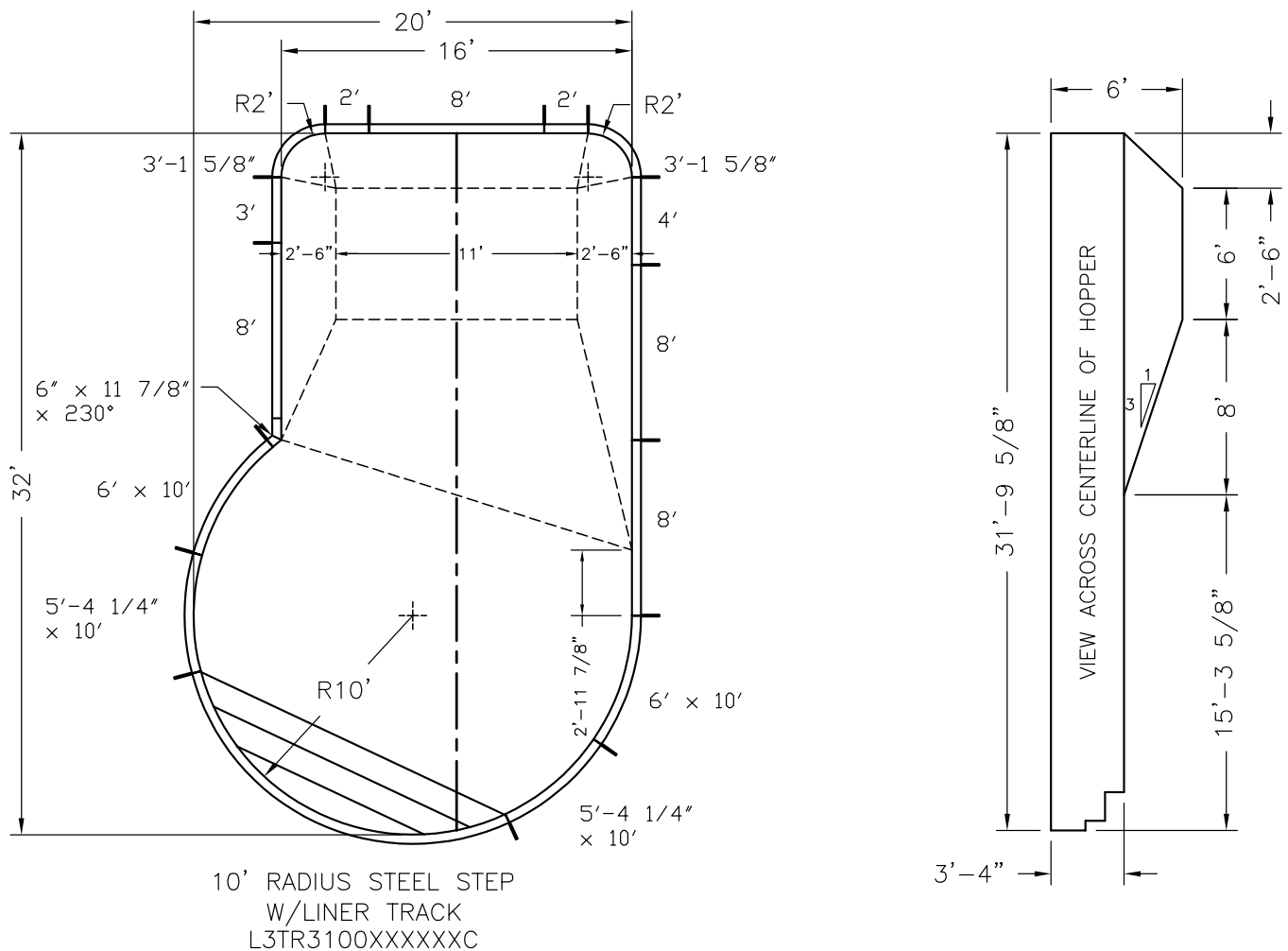


**Pool Size:** 16' X 32'  
**Pool Shape:** MARTINIQUE **Approx Gal:** 16,885  
**Pool Number:** 1632MART – 2R (STEEL)

250 Route 61 South, Schuylkill Haven, PA 17972 • 570-385-4733 • fax: 570-385-1318 • CustomerService@CardinalSystemsinc.com

### Bill of Materials

PART NO.	QUANTITY	DESCRIPTION
"A" FRAME	15	"A" FRAME ASSEMBLY
5C42315XX02000	2	2' RADIUS CORNER
L3TR3100XXXXXXC	1	10' RADIUS STEEL STEP W/LINER TRACK
5C42542XX10000	2	5'-4 1/4" x 10' Radius C PANEL W/O Z
5C42600XX10000	2	6' x 10' Radius C PANEL W/O Z
5S42200XXX0	2	2' Straight PANEL W/O Z
5S42300XXX0	1	3' Straight PANEL W/O Z
5S42400XXX0	1	4' Straight PANEL W/O Z
5S42800XXX2	4	8' Straight PANEL W/2 Z
5T420602300E7	1	6" x E 7/8" x 230° ELL



NOTE: THIS IS A NON DIVING POOL.

<b>Date:</b> 5/10/2022	<b>Perimeter:</b> 90'-11 5/8"	
<b>Drawn By:</b> JESSE H	<b>Area:</b> 529.7 SQ. FT.	
<b>Scale:</b> 1/8" = 1'-0"	<b>Notes:</b> - - - -	

This information is the confidential property of Cardinal Systems, Inc. Disclosure or duplication without proper written approval is strictly prohibited. Acceptance and use of this drawing constitutes knowledge and acceptance by the user of the terms and conditions set forth in the notice and warning which accompanied this drawing is incorporated herein and made part hereof and is found on Cardinal Systems, Inc's website at www.CardinalSystemsInc.com



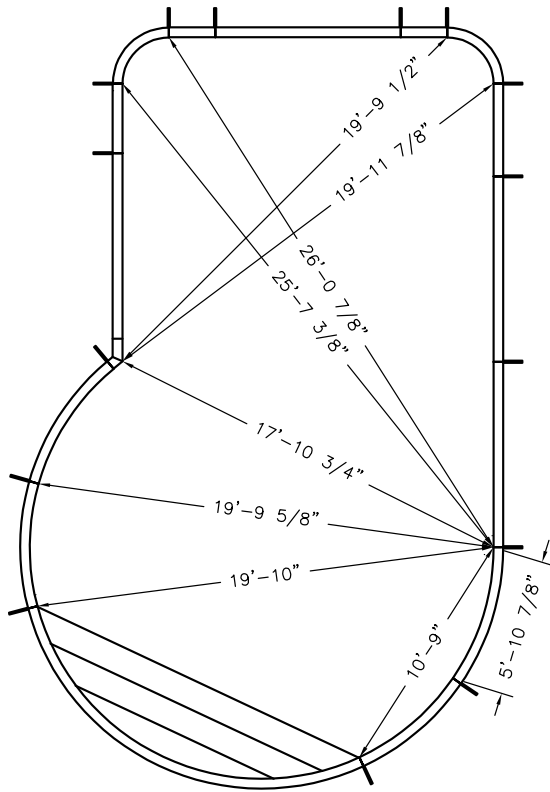
**Pool Size:** 16' X 32'

**Pool Shape:** MARTINIQUE

**Approx Gal:** 16,885

**Pool Number:** 1632MART – 2R (STEEL)

250 Route 61 South, Schuylkill Haven, PA 17972 • 570-385-4733 • fax: 570-385-1318 • CustomerService@CardinalSystemsinc.com



**Date:** 5/10/2022

**Perimeter:** 90' – 11 5/8"

**Drawn By:** JESSE H

**Area:** 529.7 SQ. FT.

**Scale:** 1/8" = 1'-0"

**Notes:** -----



cardinalpools.com

This information is the confidential property of Cardinal Systems, Inc. Disclosure or duplication without proper written approval is strictly prohibited. Acceptance and use of this drawing constitutes knowledge and acceptance by the user of the terms and conditions set forth in the notice and warning which accompanied this drawing is incorporated herein and made part hereof and is found on Cardinal Systems, Inc's website at www.CardinalSystemsInc.com

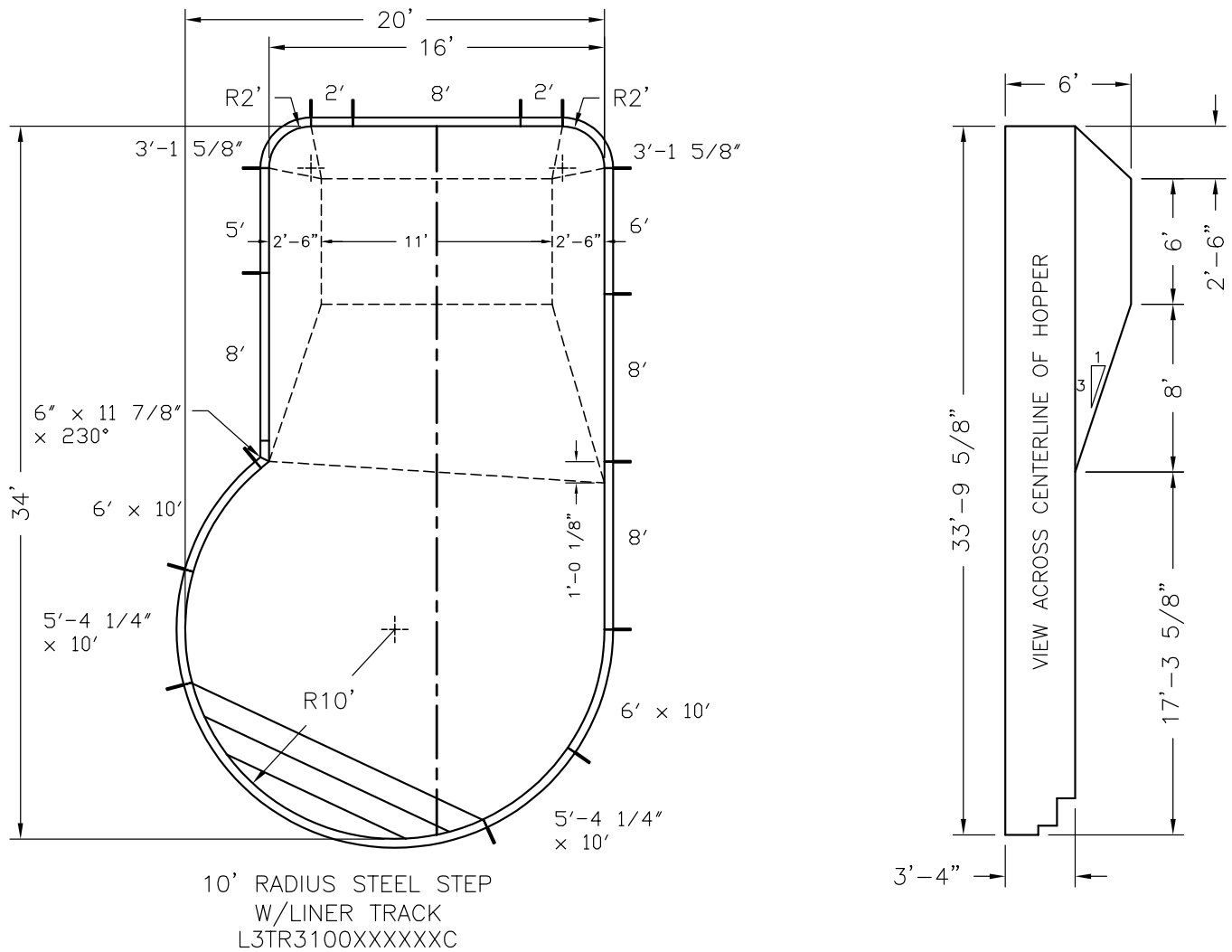


**Pool Size:** 16' X 34'  
**Pool Shape:** MARTINIQUE **Approx Gal:** 17,905  
**Pool Number:** 1634MART – 2R (STEEL)


250 Route 61 South, Schuylkill Haven, PA 17972 • 570-385-4733 • fax: 570-385-1318 • CustomerService@CardinalSystemsinc.com

Bill of Materials

PART NO.	QUANTITY	DESCRIPTION
"A" FRAME	15	"A" FRAME ASSEMBLY
5C42315XX02000	2	2' RADIUS CORNER
L3TR3100XXXXXXC	1	10' RADIUS STEEL STEP W/LINER TRACK
5C42542XX10000	2	5'-4 1/4" x 10' Radius C PANEL W/0 Z
5C42600XX10000	2	6' x 10' Radius C PANEL W/0 Z
5S42200XXX0	2	2' Straight PANEL W/0 Z
5S42500XXX0	1	5' Straight PANEL W/0 Z
5S42600XXX1	1	6' Straight PANEL W/1 Z
5S42800XXX2	4	8' Straight PANEL W/2 Z
5T420602300E7	1	6" x E 7/8" x 230° ELL



NOTE: THIS IS A NON DIVING POOL.

<b>Date:</b> 5/10/2022	<b>Perimeter:</b> 94'-11 5/8"	 cardinalpools.com
<b>Drawn By:</b> JESSE H	<b>Area:</b> 561.7 SQ. FT.	
<b>Scale:</b> 1/8" = 1'-0"	<b>Notes:</b> - - - -	

This information is the confidential property of Cardinal Systems, Inc. Disclosure or duplication without proper written approval is strictly prohibited. Acceptance and use of this drawing constitutes knowledge and acceptance by the user of the terms and conditions set forth in the notice and warning which accompanied this drawing is incorporated herein and made part hereof and is found on Cardinal Systems, Inc's website at www.CardinalSystemsInc.com



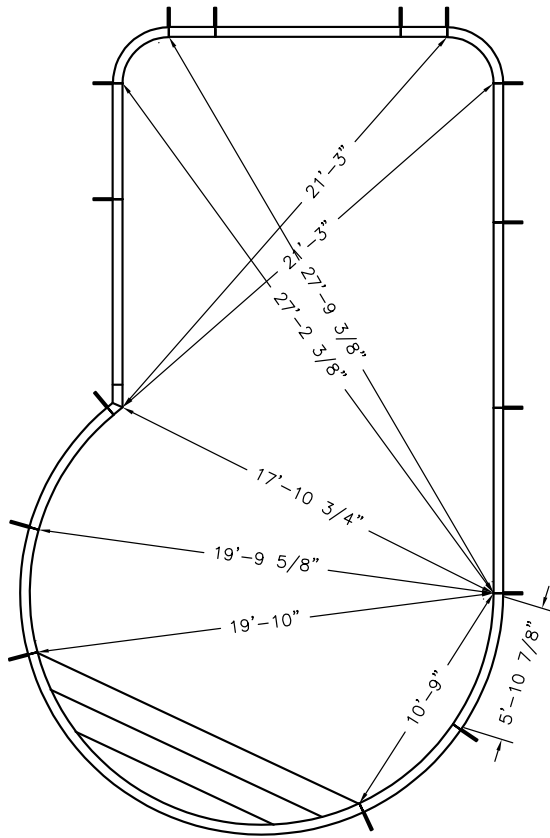
**Pool Size:** 16' X 34'

**Pool Shape:** MARTINIQUE

**Approx Gal:** 17,905

**Pool Number:** 1634MART – 2R (STEEL)

250 Route 61 South, Schuylkill Haven, PA 17972 • 570-385-4733 • fax: 570-385-1318 • CustomerService@CardinalSystemsinc.com



**Date:** 5/10/2022

**Perimeter:** 94'-11 5/8"

**Drawn By:** JESSE H

**Area:** 561.7 SQ. FT.

**Scale:** 1/8" = 1'-0"

**Notes:** -----



cardinalpools.com

This information is the confidential property of Cardinal Systems, Inc. Disclosure or duplication without proper written approval is strictly prohibited. Acceptance and use of this drawing constitutes knowledge and acceptance by the user of the terms and conditions set forth in the notice and warning which accompanied this drawing is incorporated herein and made part hereof and is found on Cardinal Systems, Inc's website at www.CardinalSystemsInc.com

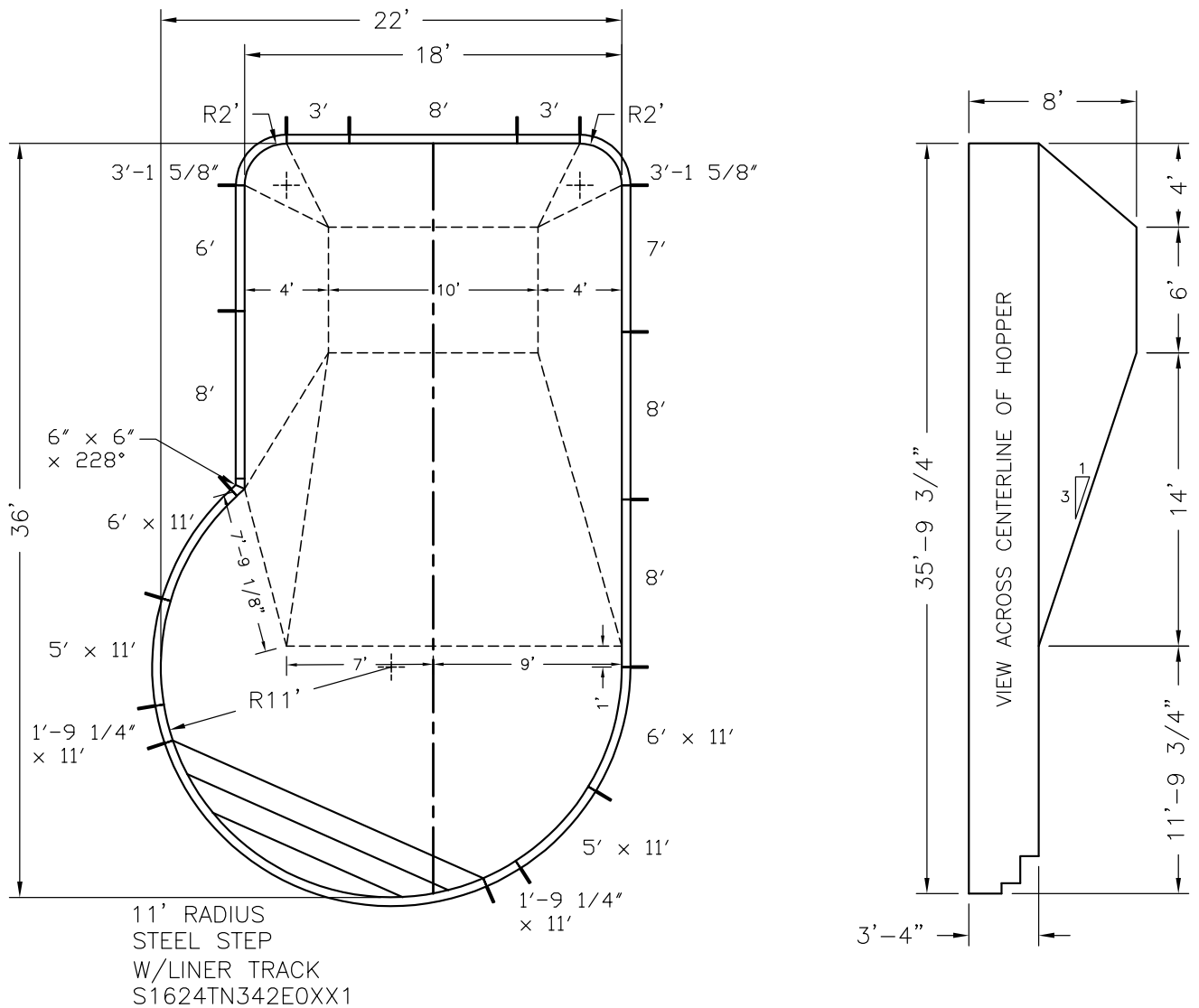


**Pool Size:** 18' X 36'  
**Pool Shape:** MARTINIQUE **Approx Gal:** 24,077  
**Pool Number:** 1836MART – 2R (STEEL)

250 Route 61 South, Schuylkill Haven, PA 17972 • 570-385-4733 • fax: 570-385-1318 • CustomerService@CardinalSystemsinc.com

### Bill of Materials

PART NO.	QUANTITY	DESCRIPTION
"A" FRAME	17	"A" FRAME ASSEMBLY
5C42315XX02000	2	2' RADIUS CORNER
S1624TN342E0XX1	1	11' RADIUS STEEL STEP W/LINER TRACK
5C42192XX11000	2	1'-9 1/4" x 11' Radius C PANEL W/0 Z
5C42500XX11000	2	5' x 11' Radius C PANEL W/0 Z
5C42600XX11000	2	6' x 11' Radius C PANEL W/0 Z
5S42300XXX0	2	3' Straight PANEL W/0 Z
5S42600XXX1	1	6' Straight PANEL W/1 Z
5S42700XXX2	1	7' Straight PANEL W/2 Z
5S42800XXX2	4	8' Straight PANEL W/2 Z
5T42060228060	1	6" x 6" x 228° ELL



**Date:** 5/10/2022

**Perimeter:** 102'-0 1/2"

**Drawn By:** JESSE H

**Area:** 661.9 SQ. FT.

**Scale:** 1/8" = 1'-0"

**Notes:** - - - -



cardinalpools.com

This information is the confidential property of Cardinal Systems, Inc. Disclosure or duplication without proper written approval is strictly prohibited. Acceptance and use of this drawing constitutes knowledge and acceptance by the user of the terms and conditions set forth in the notice and warning which accompanied this drawing is incorporated herein and made part hereof and is found on Cardinal Systems, Inc's website at www.CardinalSystemsInc.com



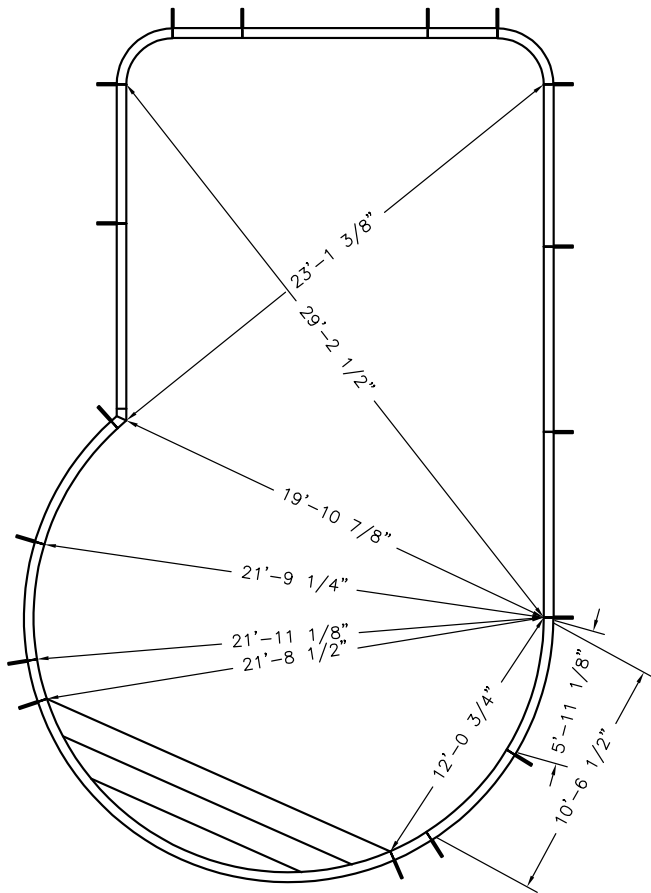
**Pool Size:** 18' X 36'

**Pool Shape:** MARTINIQUE

**Approx Gal:** 24,077

**Pool Number:** 1836MART – 2R (STEEL)

250 Route 61 South, Schuylkill Haven, PA 17972 • 570-385-4733 • fax: 570-385-1318 • CustomerService@CardinalSystemsinc.com



**Date:** 5/10/2022

**Perimeter:** 102'-0 1/2"

**Drawn By:** JESSE H

**Area:** 661.9 SQ. FT.

**Scale:** 1/8" = 1'-0"

**Notes:** -----



cardinalpools.com

This information is the confidential property of Cardinal Systems, Inc. Disclosure or duplication without proper written approval is strictly prohibited. Acceptance and use of this drawing constitutes knowledge and acceptance by the user of the terms and conditions set forth in the notice and warning which accompanied this drawing is incorporated herein and made part hereof and is found on Cardinal Systems, Inc's website at www.CardinalSystemsInc.com

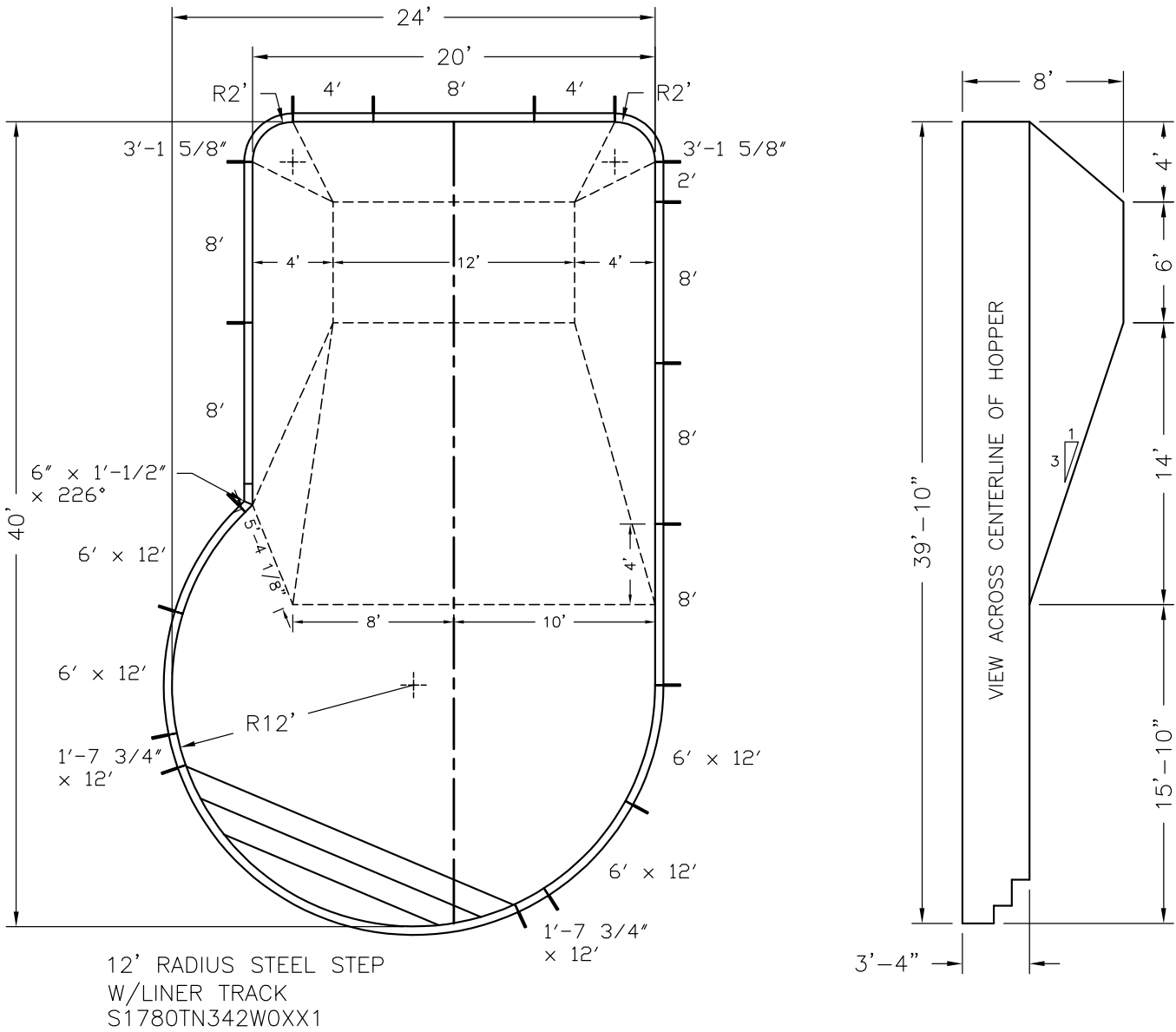


**Pool Size:** 20' X 40'  
**Pool Shape:** MARTINIQUE **Approx Gal:** 29,435  
**Pool Number:** 2040MART – 2R (STEEL)

250 Route 61 South, Schuylkill Haven, PA 17972 • 570-385-4733 • fax: 570-385-1318 • CustomerService@CardinalSystemsinc.com

Bill of Materials

PART NO.	QUANTITY	DESCRIPTION
"A" FRAME	18	"A" FRAME ASSEMBLY
5C42315XX02000	2	2' RADIUS CORNER
S1780TN342W0XX1	1	12' RADIUS STEEL STEP W/LINER TRACK
5C42176XX12000	2	1'-7 3/4" x 12' Radius C PANEL W/0 Z
5C42600XX12000	4	6' x 12' Radius C PANEL W/0 Z
5S42200XXX0	1	2' Straight PANEL W/0 Z
5S42400XXX0	2	4' Straight PANEL W/0 Z
5S42800XXX2	6	8' Straight PANEL W/2 Z
5T42060226104	1	6" x 1'-1/2" x 226° ELL



**Date:** 5/10/2022

**Perimeter:** 113'-1 1/2"

**Drawn By:** JESSE H

**Area:** 809.2 SQ. FT.

**Scale:** 1/8" = 1'-0"

**Notes:** - - - -



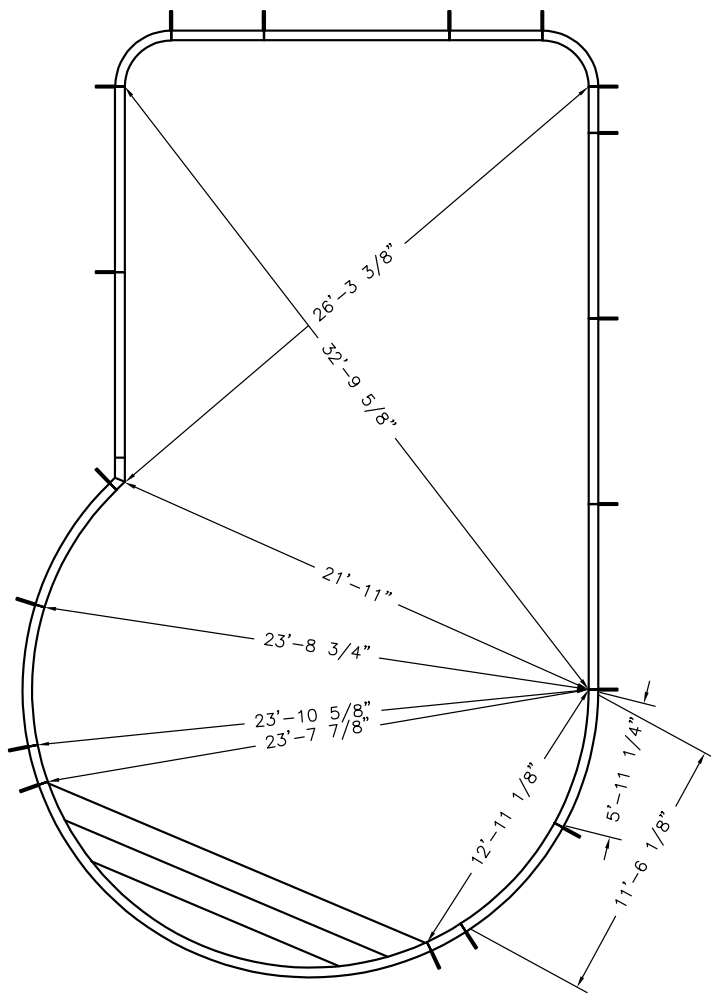
cardinalpools.com


This information is the confidential property of Cardinal Systems, Inc. Disclosure or duplication without proper written approval is strictly prohibited. Acceptance and use of this drawing constitutes knowledge and acceptance by the user of the terms and conditions set forth in the notice and warning which accompanied this drawing is incorporated herein and made part hereof and is found on Cardinal Systems, Inc's website at www.CardinalSystemsInc.com



**Pool Size:** 20' X 40'  
**Pool Shape:** MARTINIQUE **Approx Gal:** 29,435  
**Pool Number:** 2040MART – 2R (STEEL)

250 Route 61 South, Schuylkill Haven, PA 17972 • 570-385-4733 • fax: 570-385-1318 • CustomerService@CardinalSystemsinc.com



<b>Date:</b> 5/10/2022	<b>Perimeter:</b> 113'–1 1/2"	 cardinalpools.com
<b>Drawn By:</b> JESSE H	<b>Area:</b> 809.2 SQ. FT.	
<b>Scale:</b> 1/8" = 1'–0"	<b>Notes:</b> -----	

This information is the confidential property of Cardinal Systems, Inc. Disclosure or duplication without proper written approval is strictly prohibited. Acceptance and use of this drawing constitutes knowledge and acceptance by the user of the terms and conditions set forth in the notice and warning which accompanied this drawing is incorporated herein and made part hereof and is found on Cardinal Systems, Inc's website at www.CardinalSystemsInc.com





**Pool Size:** 16' X 32'

**Pool Shape:** MARTINIQUE

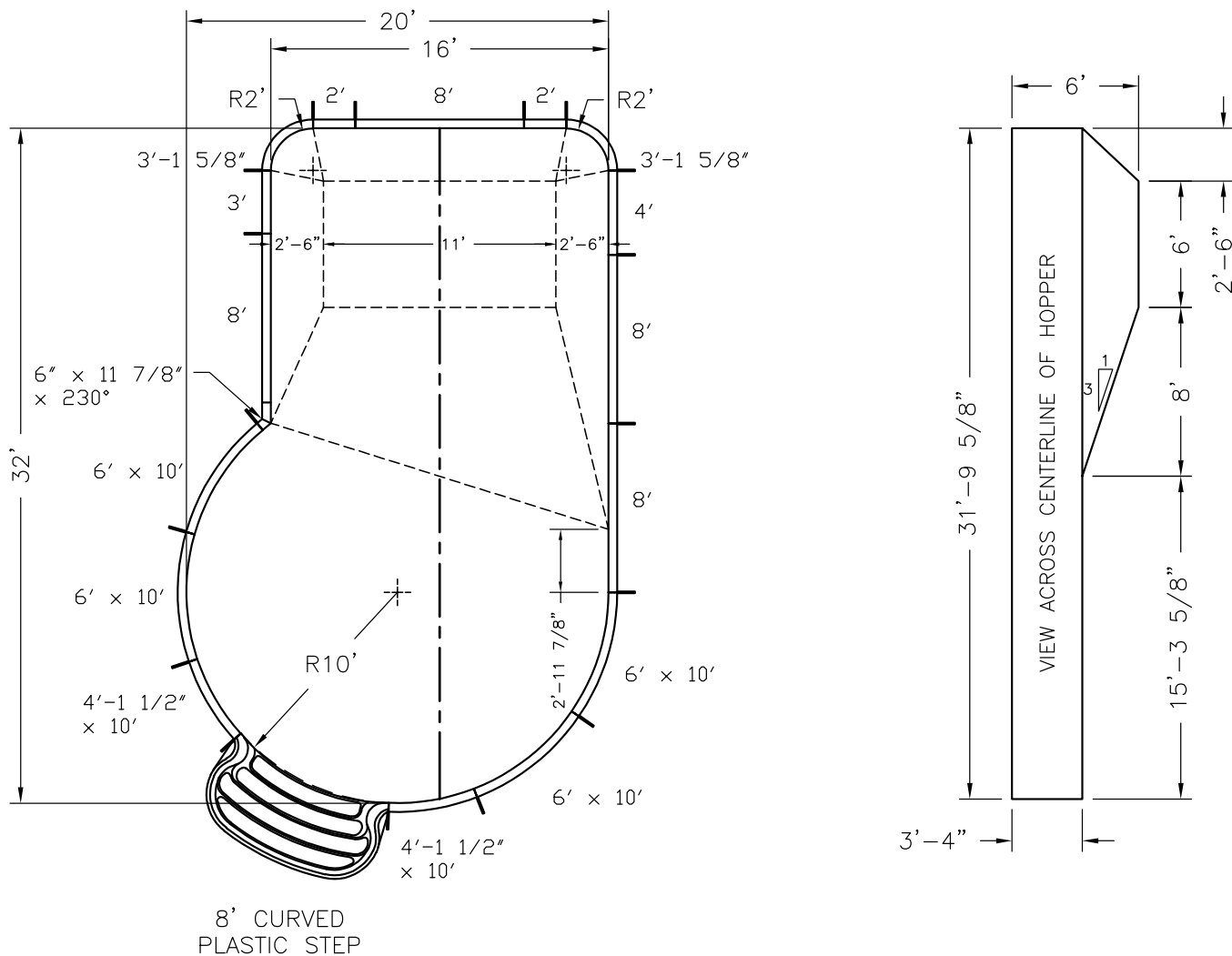
**Approx Gal:** 16,901

**Pool Number:** 1632MART – 2R (PLASTIC)

250 Route 61 South, Schuylkill Haven, PA 17972 • 570-385-4733 • fax: 570-385-1318 • CustomerService@CardinalSystemsinc.com

Bill of Materials

PART NO.	QUANTITY	DESCRIPTION
"A" FRAME	17	"A" FRAME ASSEMBLY
5C42315XX02000	2	2' RADIUS CORNER
5C42414XX10000	2	4'-1 1/2" x 10' Radius C PANEL W/O Z
5C42600XX10000	4	6' x 10' Radius C PANEL W/O Z
5S42200XXX0	2	2' Straight PANEL W/O Z
5S42300XXX0	1	3' Straight PANEL W/O Z
5S42400XXX0	1	4' Straight PANEL W/O Z
5S42800XXX2	4	8' Straight PANEL W/2 Z
5T420602300E7	1	6" x E 7/8" x 230° ELL



NOTE: THIS IS A NON DIVING POOL.

<b>Date:</b> 5/10/2022	<b>Perimeter:</b> 91'-0 1/4"	
<b>Drawn By:</b> JESSE H	<b>Area:</b> 530.2 SQ. FT.	
<b>Scale:</b> 1/8" = 1'-0"	<b>Notes:</b> - - - -	

This information is the confidential property of Cardinal Systems, Inc. Disclosure or duplication without proper written approval is strictly prohibited. Acceptance and use of this drawing constitutes knowledge and acceptance by the user of the terms and conditions set forth in the notice and warning which accompanied this drawing is incorporated herein and made part hereof and is found on Cardinal Systems, Inc's website at www.CardinalSystemsInc.com



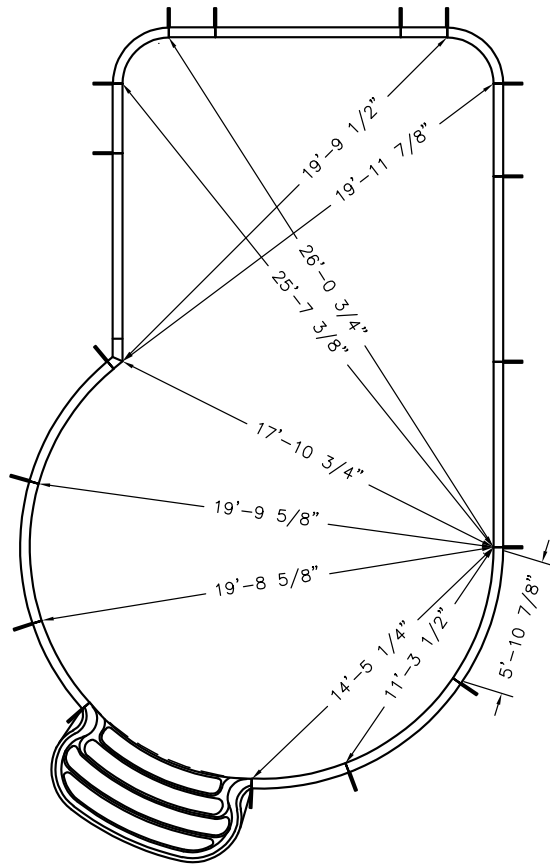
**Pool Size:** 16' X 32'

**Pool Shape:** MARTINIQUE

**Approx Gal:** 16,901

**Pool Number:** 1632MART – 2R (PLASTIC)

250 Route 61 South, Schuylkill Haven, PA 17972 • 570-385-4733 • fax: 570-385-1318 • CustomerService@CardinalSystemsinc.com



**Date:** 5/10/2022

**Perimeter:** 91'-0 1/4"

**Drawn By:** JESSE H

**Area:** 530.2 SQ. FT.

**Scale:** 1/8" = 1'-0"

**Notes:** -----



cardinalpools.com

This information is the confidential property of Cardinal Systems, Inc. Disclosure or duplication without proper written approval is strictly prohibited. Acceptance and use of this drawing constitutes knowledge and acceptance by the user of the terms and conditions set forth in the notice and warning which accompanied this drawing is incorporated herein and made part hereof and is found on Cardinal Systems, Inc's website at www.CardinalSystemsInc.com

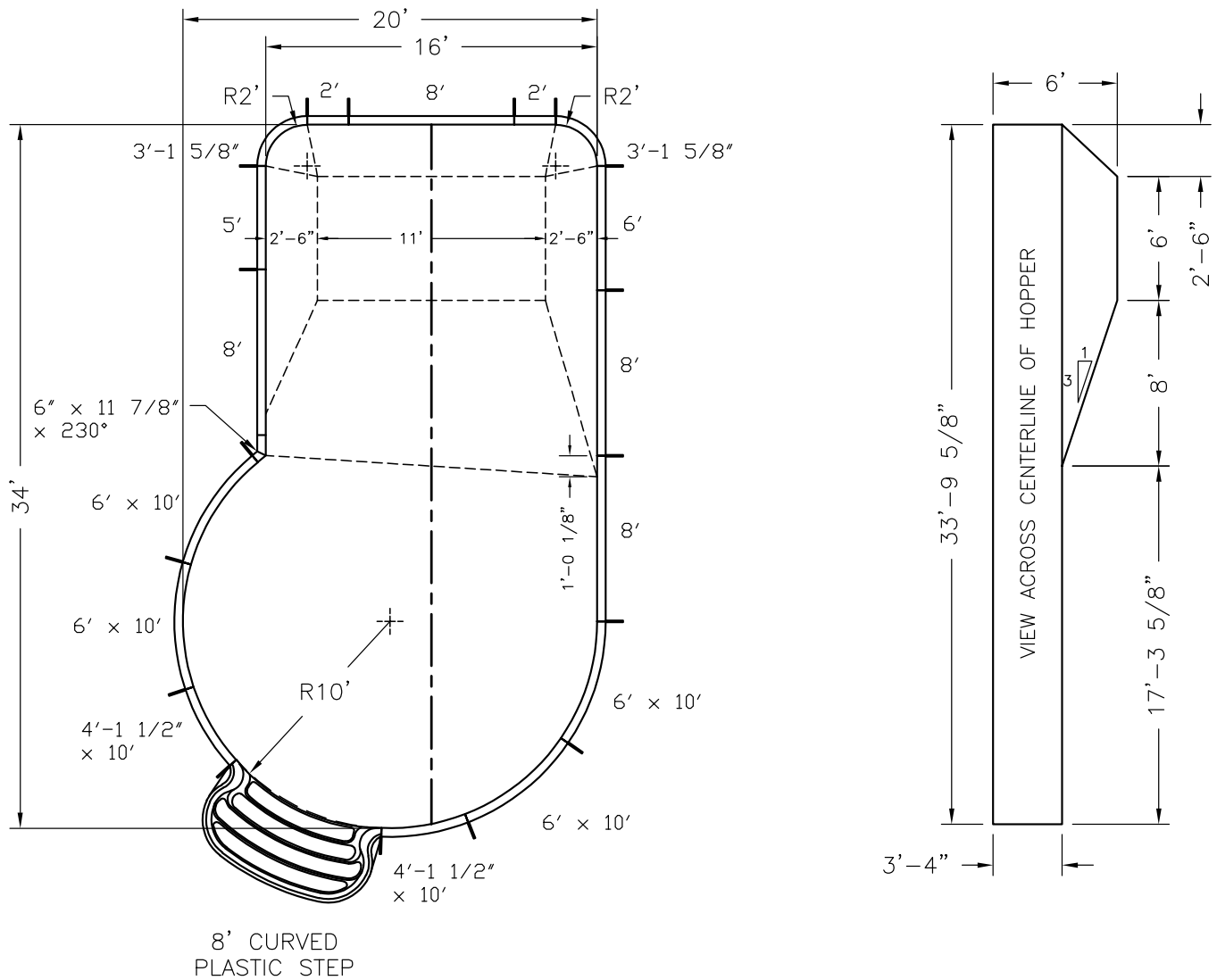


**Pool Size:** 16' X 34'  
**Pool Shape:** MARTINIQUE **Approx Gal:** 17,921  
**Pool Number:** 1634MART – 2R (PLASTIC)

250 Route 61 South, Schuylkill Haven, PA 17972 • 570-385-4733 • fax: 570-385-1318 • CustomerService@CardinalSystemsinc.com

Bill of Materials

PART NO.	QUANTITY	DESCRIPTION
"A" FRAME	17	"A" FRAME ASSEMBLY
5C42315XX02000	2	2' RADIUS CORNER
5C42414XX10000	2	4'-1 1/2" x 10' Radius C PANEL W/O Z
5C42600XX10000	4	6' x 10' Radius C PANEL W/O Z
5S42200XXX0	2	2' Straight PANEL W/O Z
5S42500XXX0	1	5' Straight PANEL W/O Z
5S42600XXX1	1	6' Straight PANEL W/1 Z
5S42800XXX2	4	8' Straight PANEL W/2 Z
5T420602300E7	1	6" x E 7/8" x 230° ELL



NOTE: THIS IS A NON DIVING POOL.

<b>Date:</b> 5/10/2022	<b>Perimeter:</b> 95'-0 1/4"	
<b>Drawn By:</b> JESSE H	<b>Area:</b> 562.2 SQ. FT.	
<b>Scale:</b> 1/8" = 1'-0"	<b>Notes:</b> - - - -	

This information is the confidential property of Cardinal Systems, Inc. Disclosure or duplication without proper written approval is strictly prohibited. Acceptance and use of this drawing constitutes knowledge and acceptance by the user of the terms and conditions set forth in the notice and warning which accompanied this drawing is incorporated herein and made part hereof and is found on Cardinal Systems, Inc's website at www.CardinalSystemsInc.com



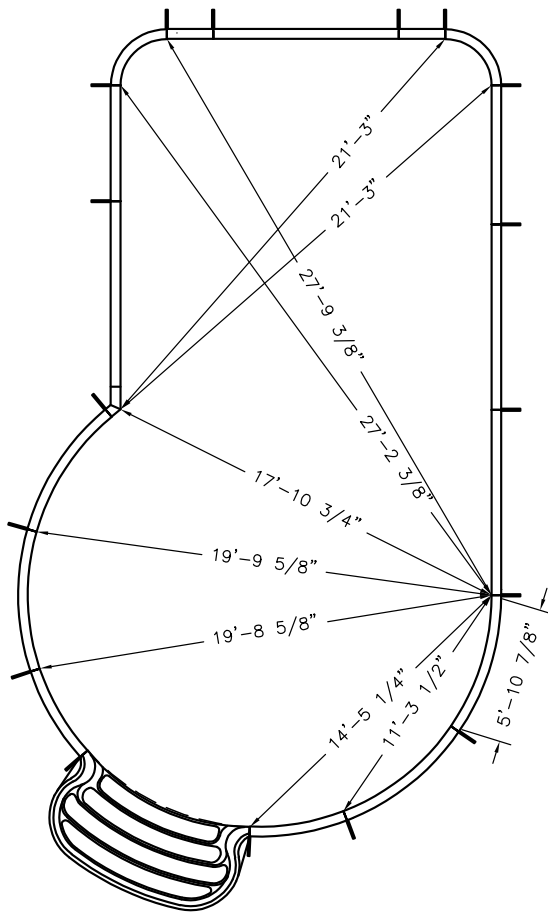
**Pool Size:** 16' X 34'

**Pool Shape:** MARTINIQUE

**Approx Gal:** 17,921

**Pool Number:** 1634MART – 2R (PLASTIC)

250 Route 61 South, Schuylkill Haven, PA 17972 • 570-385-4733 • fax: 570-385-1318 • CustomerService@CardinalSystemsinc.com



**Date:** 5/10/2022

**Perimeter:** 95'-0 1/4"

**Drawn By:** JESSE H

**Area:** 562.2 SQ. FT.

**Scale:** 1/8" = 1'-0"

**Notes:** -----



cardinalpools.com

This information is the confidential property of Cardinal Systems, Inc. Disclosure or duplication without proper written approval is strictly prohibited. Acceptance and use of this drawing constitutes knowledge and acceptance by the user of the terms and conditions set forth in the notice and warning which accompanied this drawing is incorporated herein and made part hereof and is found on Cardinal Systems, Inc's website at www.CardinalSystemsInc.com

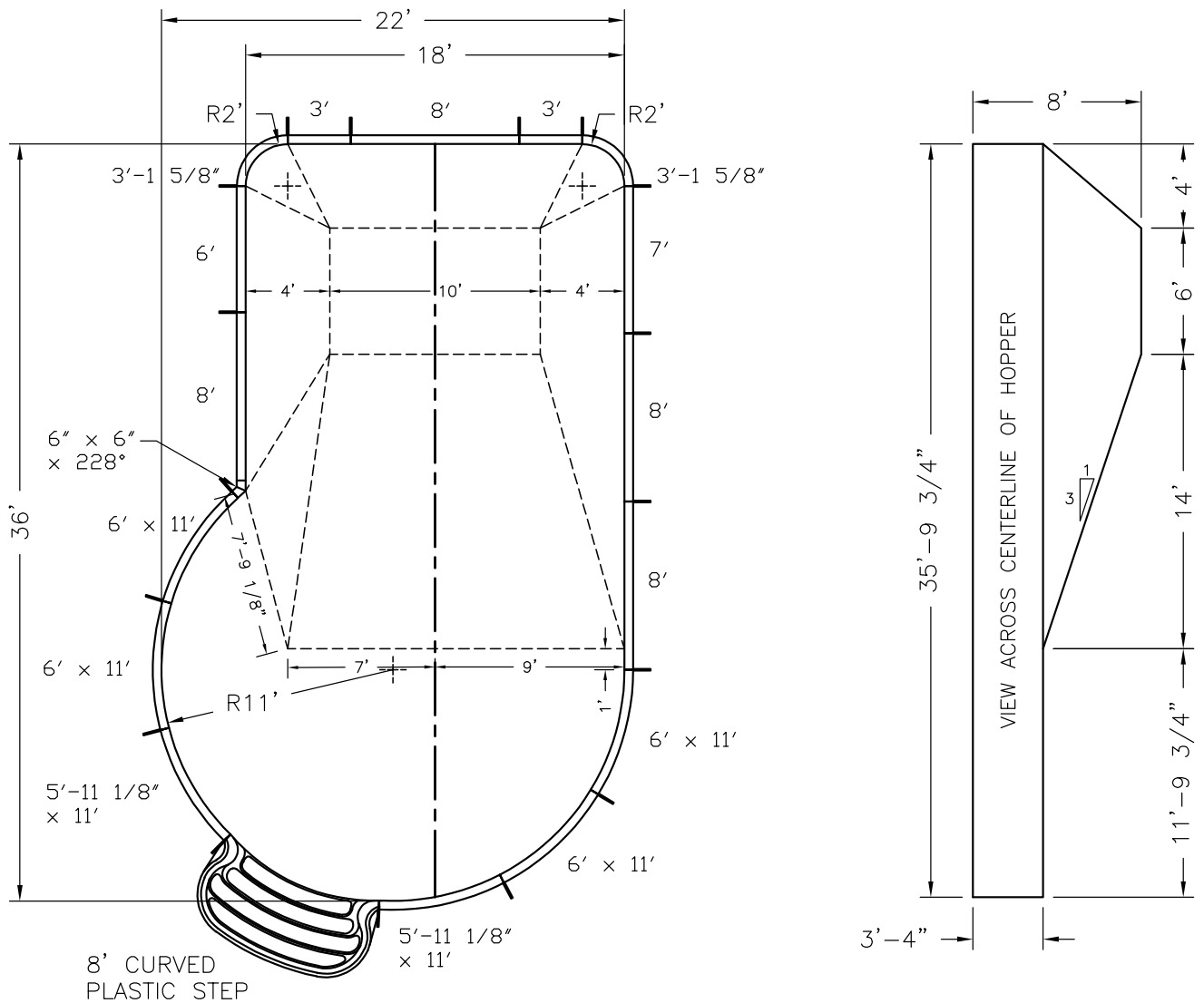


**Pool Size:** 18' X 36'  
**Pool Shape:** MARTINIQUE **Approx Gal:** 24,110  
**Pool Number:** 1836MART – 2R (PLASTIC)

250 Route 61 South, Schuylkill Haven, PA 17972 • 570-385-4733 • fax: 570-385-1318 • CustomerService@CardinalSystemsinc.com

Bill of Materials

PART NO.	QUANTITY	DESCRIPTION
"A" FRAME	17	"A" FRAME ASSEMBLY
5C42315XX02000	2	2' RADIUS CORNER
5C425E1XX11000	2	5'-11 1/8" x 11' Radius C PANEL W/0 Z
5C42600XX11000	4	6' x 11' Radius C PANEL W/0 Z
5S42300XXX0	2	3' Straight PANEL W/0 Z
5S42600XXX1	1	6' Straight PANEL W/1 Z
5S42700XXX2	1	7' Straight PANEL W/2 Z
5S42800XXX2	4	8' Straight PANEL W/2 Z
5T42060228060	1	6" x 6" x 228° ELL



**Date:** 5/10/2022

**Perimeter:** 102'-1 5/8"

**Drawn By:** JESSE H

**Area:** 662.8 SQ. FT.

**Scale:** 1/8" = 1'-0"

**Notes:** - - - -



cardinalpools.com

This information is the confidential property of Cardinal Systems, Inc. Disclosure or duplication without proper written approval is strictly prohibited. Acceptance and use of this drawing constitutes knowledge and acceptance by the user of the terms and conditions set forth in the notice and warning which accompanied this drawing is incorporated herein and made part hereof and is found on Cardinal Systems, Inc's website at www.CardinalSystemsInc.com



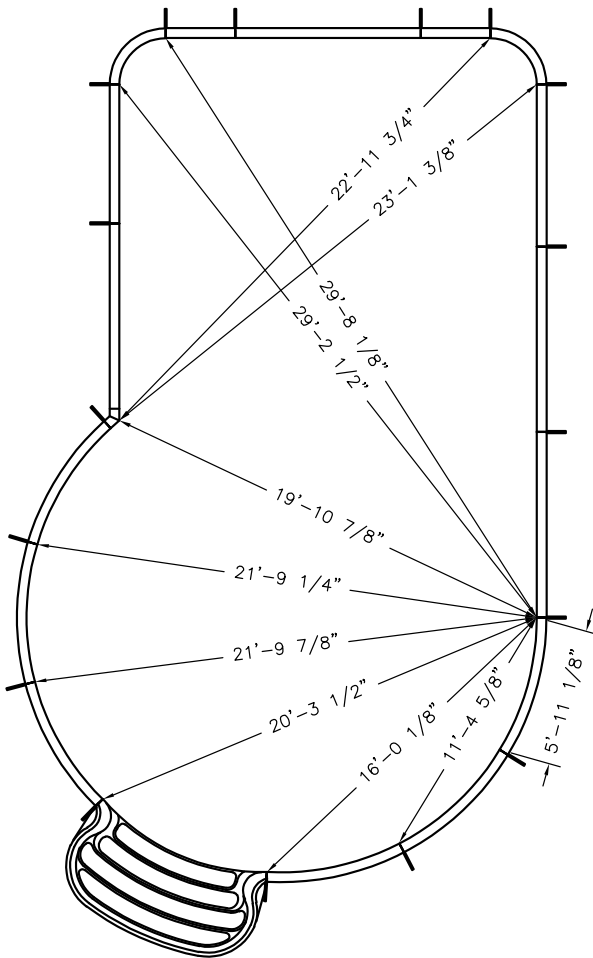
**Pool Size:** 18' X 36'

**Pool Shape:** MARTINIQUE

**Approx Gal:** 24,110

**Pool Number:** 1836MART – 2R (PLASTIC)

250 Route 61 South, Schuylkill Haven, PA 17972 • 570-385-4733 • fax: 570-385-1318 • CustomerService@CardinalSystemsinc.com



**Date:** 5/10/2022

**Perimeter:** 102'-1 5/8"

**Drawn By:** JESSE H

**Area:** 662.8 SQ. FT.

**Scale:** 1/8" = 1'-0"

**Notes:** -----



cardinalpools.com

This information is the confidential property of Cardinal Systems, Inc. Disclosure or duplication without proper written approval is strictly prohibited. Acceptance and use of this drawing constitutes knowledge and acceptance by the user of the terms and conditions set forth in the notice and warning which accompanied this drawing is incorporated herein and made part hereof and is found on Cardinal Systems, Inc's website at www.CardinalSystemsInc.com

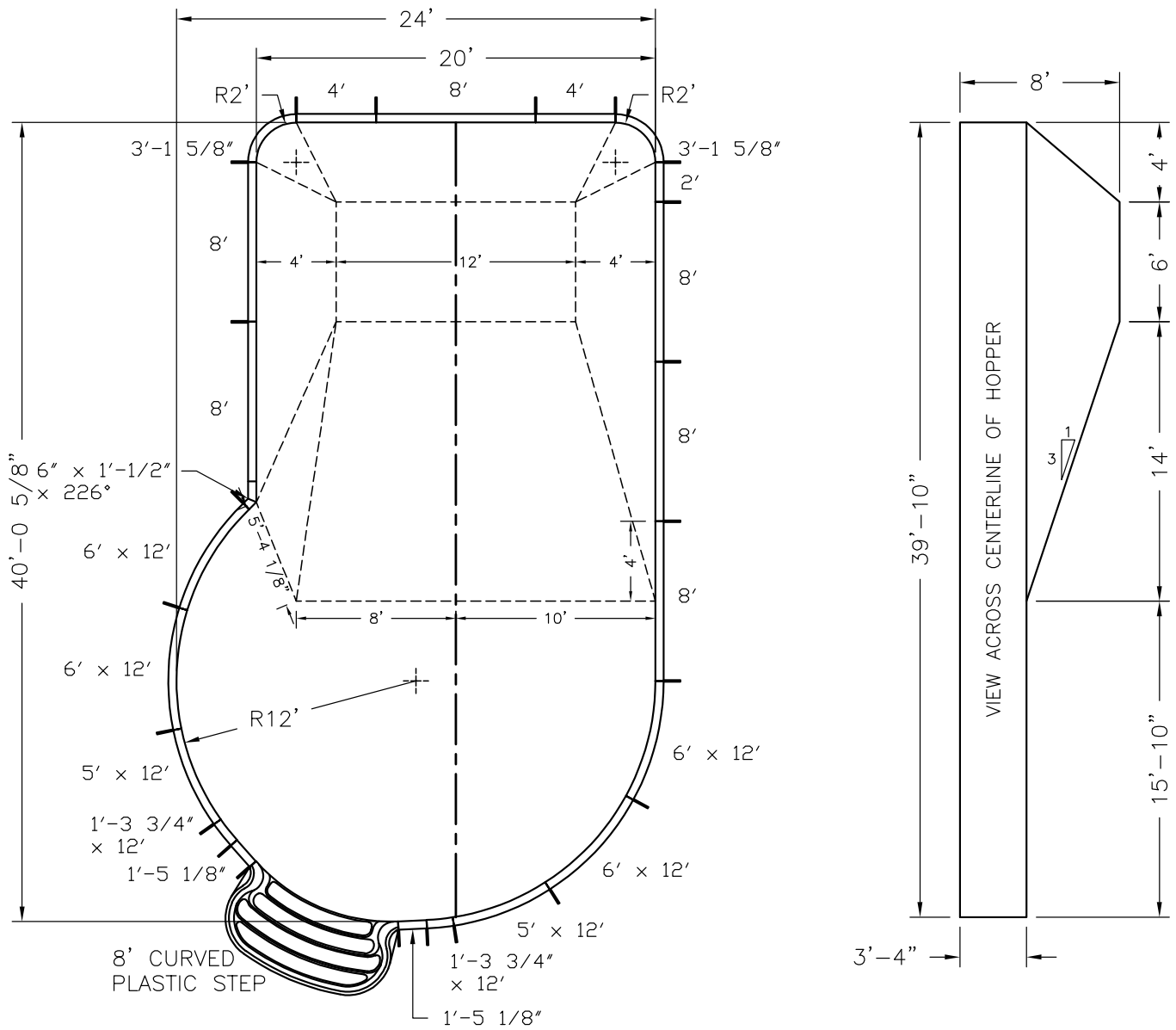


**Pool Size:** 20' X 40'  
**Pool Shape:** MARTINIQUE **Approx Gal:** 29,512  
**Pool Number:** 2040MART – 2R (PLASTIC)

250 Route 61 South, Schuylkill Haven, PA 17972 • 570-385-4733 • fax: 570-385-1318 • CustomerService@CardinalSystemsinc.com

### Bill of Materials

PART NO.	QUANTITY	DESCRIPTION
"A" FRAME	22	"A" FRAME ASSEMBLY
5C42315XX02000	2	2' RADIUS CORNER
5C42136XX12000	2	1'-3 3/4" x 12' Radius C PANEL W/0 Z
5C42500XX12000	2	5' x 12' Radius C PANEL W/0 Z
5C42600XX12000	4	6' x 12' Radius C PANEL W/0 Z
5S42151XXX0	2	1'-5 1/8" Straight PANEL W/0 Z
5S42200XXX0	1	2' Straight PANEL W/0 Z
5S42400XXX0	2	4' Straight PANEL W/0 Z
5S42800XXX2	6	8' Straight PANEL W/2 Z
5T42060226104	1	6" x 1'-1/2" x 226° ELL



**Date:** 5/10/2022

**Perimeter:** 113'-3 3/4"

**Drawn By:** JESSE H

**Area:** 811.3 SQ. FT.

**Scale:** 1/8" = 1'-0"

**Notes:** - - - -



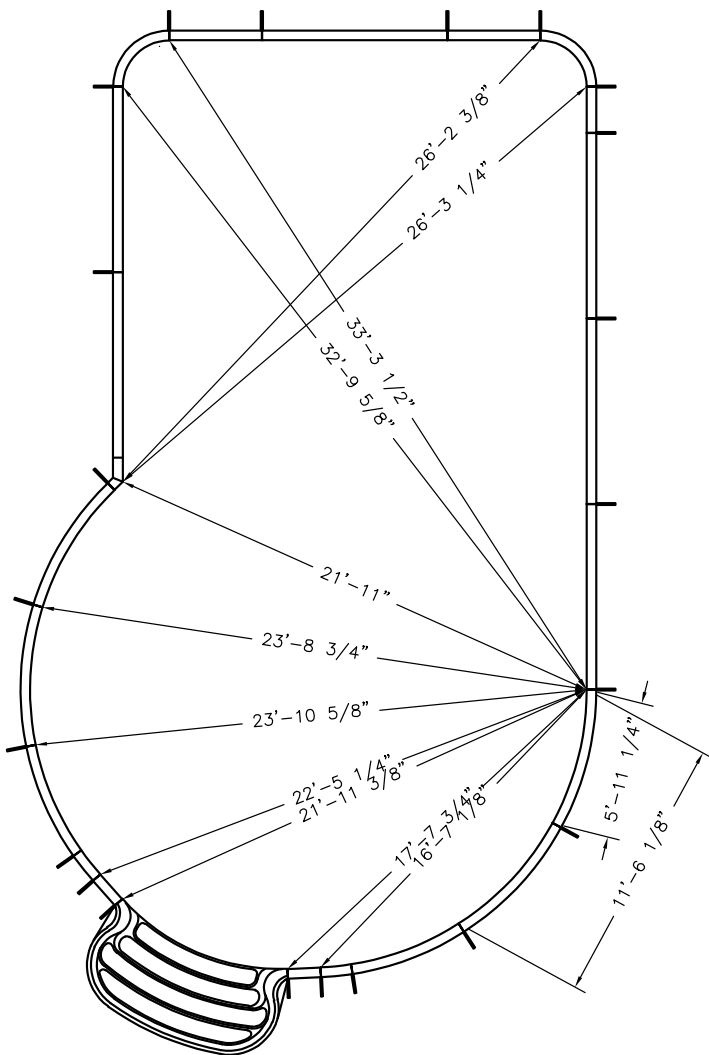
cardinalpools.com

This information is the confidential property of Cardinal Systems, Inc. Disclosure or duplication without proper written approval is strictly prohibited. Acceptance and use of this drawing constitutes knowledge and acceptance by the user of the terms and conditions set forth in the notice and warning which accompanied this drawing is incorporated herein and made part hereof and is found on Cardinal Systems, Inc's website at www.CardinalSystemsInc.com



**Pool Size:** 20' X 40'  
**Pool Shape:** MARTINIQUE **Approx Gal:** 29,512  
**Pool Number:** 2040MART – 2R (PLASTIC)

250 Route 61 South, Schuylkill Haven, PA 17972 • 570-385-4733 • fax: 570-385-1318 • CustomerService@CardinalSystemsinc.com



<b>Date:</b> 5/10/2022	<b>Perimeter:</b> 113'–3 3/4"
<b>Drawn By:</b> JESSE H	<b>Area:</b> 811.3 SQ. FT.
<b>Scale:</b> 1/8" = 1'–0"	<b>Notes:</b> -----



This information is the confidential property of Cardinal Systems, Inc. Disclosure or duplication without proper written approval is strictly prohibited. Acceptance and use of this drawing constitutes knowledge and acceptance by the user of the terms and conditions set forth in the notice and warning which accompanied this drawing is incorporated herein and made part hereof and is found on Cardinal Systems, Inc's website at www.CardinalSystemsInc.com



# CELEBRITY

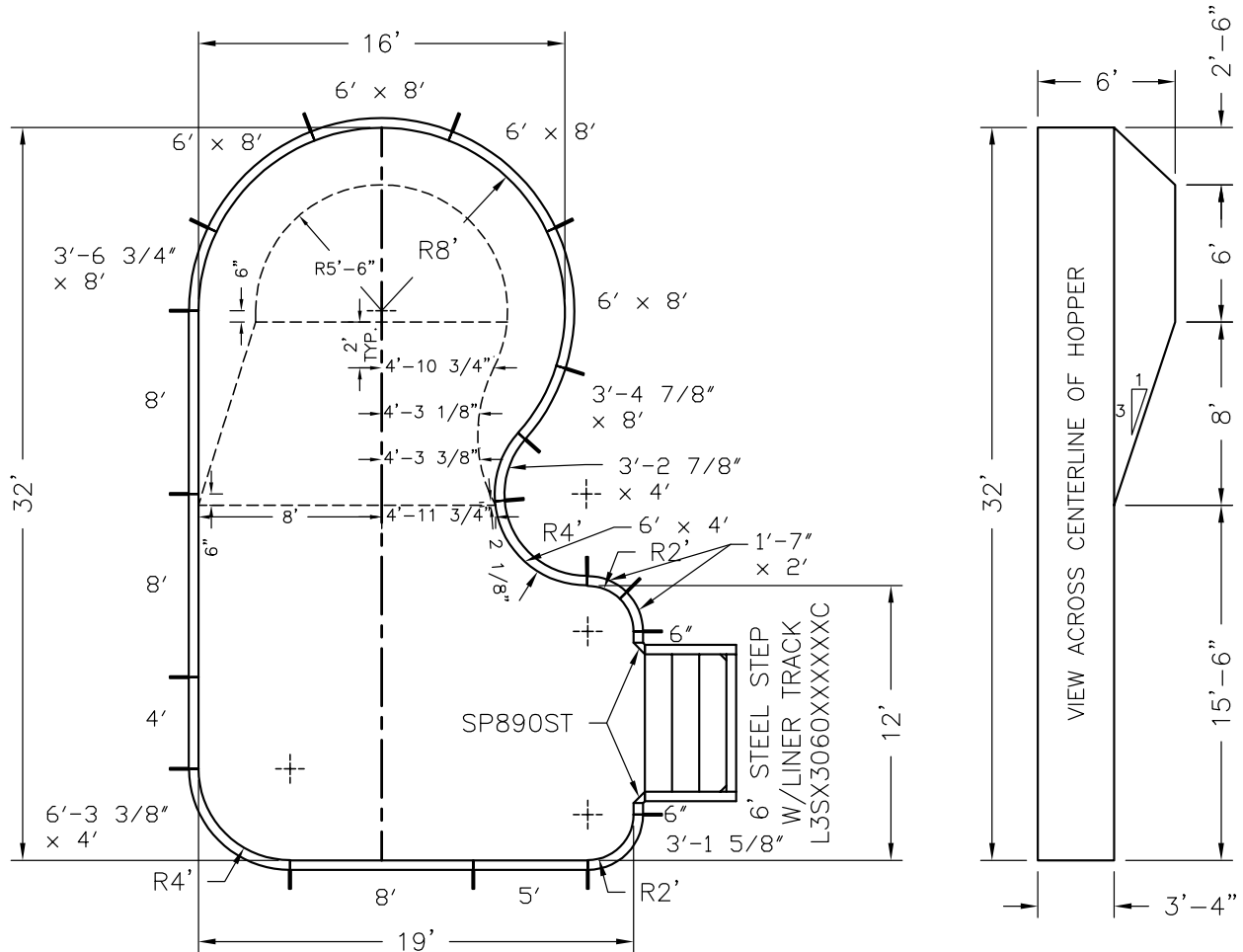


**Pool Size:** 16' X 32'  
**Pool Shape:** CELEBRITY  
**Pool Number:** 1632CELEB – (STEEL)  
**Approx Gal:** 16,591

250 Route 61 South, Schuylkill Haven, PA 17972 • 570-385-4733 • fax: 570-385-1318 • CustomerService@CardinalSystemsinc.com

## Bill of Materials

PART NO.	QUANTITY	DESCRIPTION
"A" FRAME	18	"A" FRAME ASSEMBLY
5C42315XX02000	1	2' RADIUS CORNER
L3SX3060XXXXXXC	1	6' STEEL STEP W/LINER TRACK
SP890ST	2	STRAIGHT WALL STEP TRANSITION
5C42170XX02000	2	1'-7" x 2' Radius C PANEL W/0 Z
5C42347XX08000	1	3'-4 7/8" x 8' Radius C PANEL W/0 Z
5C42366XX08000	1	3'-6 3/4" x 8' Radius C PANEL W/0 Z
5C42633XX04000	1	6'-3 3/8" x 4' Radius C PANEL W/0 Z
5C42600XX08000	4	6' x 8' Radius C PANEL W/0 Z
5R42327XX04000	1	3'-2 7/8" x 4' Radius R PANEL W/0 Z
5R42600XX04000	1	6' x 4' Radius R PANEL W/0 Z
5S42060XXX0	2	6" Straight PANEL W/0 Z
5S42400XXX0	1	4' Straight PANEL W/0 Z
5S42500XXX0	1	5' Straight PANEL W/0 Z
5S42800XXX2	3	8' Straight PANEL W/2 Z



NOTE: THIS IS A NON DIVING POOL.

<b>Date:</b> 5/10/2022	<b>Perimeter:</b> 101'-4"	
<b>Drawn By:</b> JESSE H	<b>Area:</b> 520.5 SQ. FT.	
<b>Scale:</b> 1/8" = 1'-0"	<b>Notes:</b> -----	

This information is the confidential property of Cardinal Systems, Inc. Disclosure or duplication without proper written approval is strictly prohibited. Acceptance and use of this drawing constitutes knowledge and acceptance by the user of the terms and conditions set forth in the notice and warning which accompanied this drawing. It is incorporated herein and made part hereof and is found on Cardinal Systems, Inc's website at www.CardinalSystemsInc.com



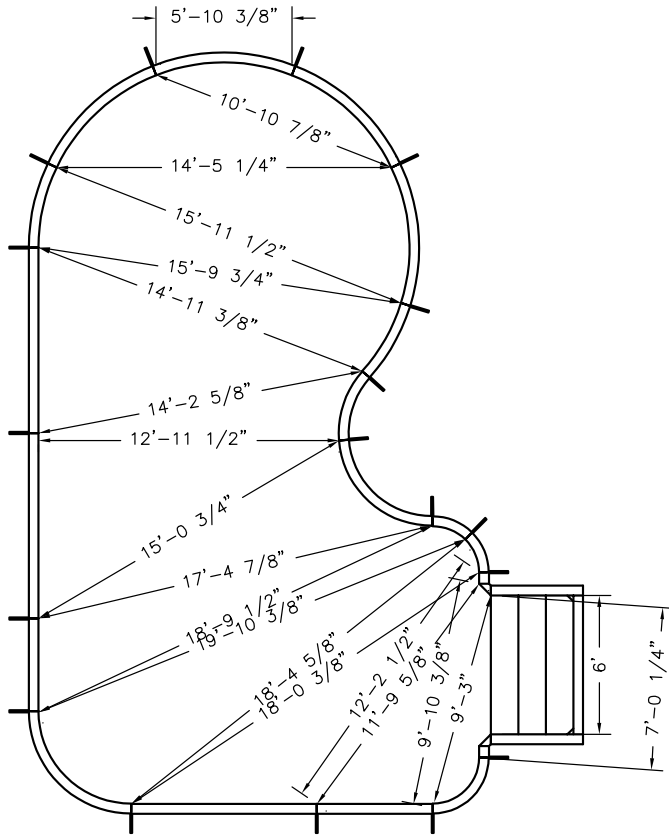
**Pool Size:** 16' X 32'

**Pool Shape:** CELEBRITY

**Approx Gal:** 16,591

**Pool Number:** 1632CELEB – (STEEL)

250 Route 61 South, Schuylkill Haven, PA 17972 • 570-385-4733 • fax: 570-385-1318 • CustomerService@CardinalSystemsinc.com



**Date:** 5/10/2022

**Drawn By:** JESSE H

**Scale:** 1/8" = 1'-0"

**Perimeter:** 101'-4"

**Area:** 520.5 SQ. FT.

**Notes:** -----



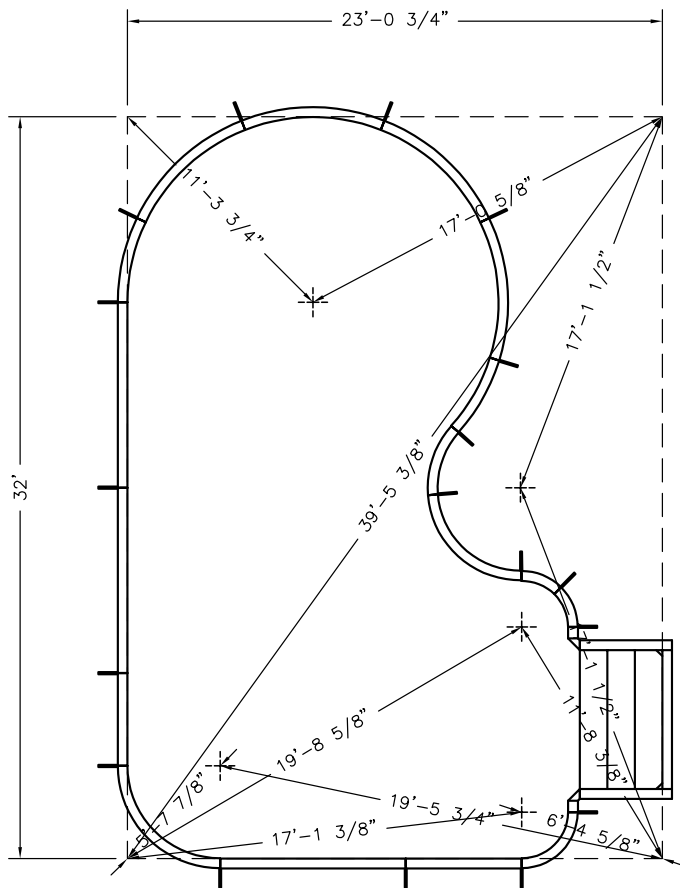
cardinalpools.com


This information is the confidential property of Cardinal Systems, Inc. Disclosure or duplication without proper written approval is strictly prohibited. Acceptance and use of this drawing constitutes knowledge and acceptance by the user of the terms and conditions set forth in the notice and warning which accompanied this drawing is incorporated herein and made part hereof and is found on Cardinal Systems, Inc's website at www.CardinalSystemsInc.com



**Pool Size:** 16' X 32'  
**Pool Shape:** CELEBRITY **Approx Gal:** 16,591  
**Pool Number:** 1632CELEB – (STEEL)

250 Route 61 South, Schuylkill Haven, PA 17972 • 570-385-4733 • fax: 570-385-1318 • CustomerService@CardinalSystemsinc.com



<b>Date:</b> 5/10/2022	<b>Perimeter:</b> 101'–4"	 cardinalpools.com
<b>Drawn By:</b> JESSE H	<b>Area:</b> 520.5 SQ. FT.	
<b>Scale:</b> 1/8" = 1'–0"	<b>Notes:</b> – – – –	

This information is the confidential property of Cardinal Systems, Inc. Disclosure or duplication without proper written approval is strictly prohibited. Acceptance and use of this drawing constitutes knowledge and acceptance by the user of the terms and conditions set forth in the notice and warning which accompanied this drawing is incorporated herein and made part hereof and is found on Cardinal Systems, Inc's website at www.CardinalSystemsInc.com



**Pool Size:** 16' X 32'

**Pool Shape:** CELEBRITY

**Approx Gal:** 16,591

**Pool Number:** 1632CELEB – (STEEL)


250 Route 61 South, Schuylkill Haven, PA 17972 • 570-385-4733 • fax: 570-385-1318 • CustomerService@CardinalSystemsinc.com

HOPPER DIG POINTS		E-H1		F-H4		H-H1	
POINTS	DISTANCE	E-H2		F-H5		H-H2	
E-F	20'-4 3/4"	5'-6"		21'-8 1/4"		6'-9 7/8"	
E-G	16'-7 3/4"	5'-6"		12'-2 1/8"		16'-6 1/8"	
E-H	12'	5'-6 1/4"		14'-7"		16'-3 1/4"	
F-G	14'-3 7/8"	5'-6 1/4"		12'-2 1/2"		8'-3"	
F-H	17'-7 3/4"	E-H5		G-H2		H-H5	
G-H	6'	11'-8 1/8"		20'-1 7/8"		16'-11 3/8"	
		E-H6		G-H3		4'	
		9'-10 1/4"		19'-9 3/4"			
		F-H1		G-H4			
		19'-7 5/8"		13'-11 3/8"			
		F-H2		G-H5			
		20'-0 5/8"		17'-10 3/8"			
		F-H3		G-H6			
		19'-6 3/4"		6'-9 3/4"			

PANEL TO HOPPER POINTS		2-H2		3-H6		5-H4	
POINTS	DISTANCE	2-H3		4-H1		5-H5	
1-H1	3'-0 3/8"	2'-6"		17'-4"		14'-6 7/8"	
1-H2	12'-7 3/4"	2'-6 5/8"		23'-3 1/4"		19'-9 3/8"	
1-H3	12'-5 1/4"	13'-6 1/8"		24'-0 1/2"		5-H6	
1-H4	4'-10 1/4"	8'-6"		23'-6 5/8"		6-H1	
1-H5	14'-3 3/4"	2-H5		4-H3		6-H2	
1-H6	3'-3 3/4"	2-H6		4-H4		6-H3	
2-H1	13'-1 5/8"	15'-6 1/8"		25'-4 1/8"		6-H4	
		3-H1		4-H5		6-H5	
		21'-8 7/8"		16'-0 1/8"		17'-4"	
		3-H2		4-H6		6-H6	
		20'-1 7/8"		17'-10 7/8"		5'-3 7/8"	
		3-H3		5-H1			
		19'-7 7/8"		13'-0 1/4"			
		3-H4		5-H2			
		23'-8 5/8"		21'-7 5/8"			
		3-H5		5-H3			
		11'-6"		21'-3 7/8"			

PANEL TO PANEL POINTS		2-L		3-T		5-N	
POINTS	DISTANCE	2-M		4-C1		5-O	
1-C1	14'-7 1/4"	13'-2 3/4"		19'-10 1/8"		25'-2 3/4"	
1-C2	19'-7 1/8"	9'-0 1/8"		32'-3"		5-P	
1-I	3'-1 7/8"	2-N		4'		19'-1 1/4"	
1-J	3'-4 1/2"	3'-6 1/2"		4-C2		5-Q	
1-K	8'-10 1/2"	2-O		4-I		12'-2 1/2"	
1-L	8'-10 1/2"	8'		4-J		5-R	
1-M	15'-6 3/4"	2-P		4-K		10'-2 3/8"	
1-N	15'-10 1/8"	16'		29'-7 7/8"		5-S	
1-O	14'-2 5/8"	2-Q		4-L		8'	
1-P	17'-6 7/8"	2-R		32'-2 3/8"		5-T	
1-Q	18'-9 1/4"	2-S		4-M		1'-6 1/2"	
1-R	18'-11"	2-T		31'-5 1/2"		6-C1	
1-S	17'-4 7/8"	3-C1		4-N		21'-11 1/8"	
1-T	8'-6"	29'-1 1/2"		27'-7 5/8"		6-C2	
2-C1	11'-3 3/4"	3-C2		4-O		14'-11 7/8"	
2-C2	25'-3 5/8"	8'-11 3/8"		16'-5 7/8"		6-I	
2-I	15'-4 3/4"	3-I		8'-11 3/8"		6-J	
2-J	15'-9 3/4"	17'-5 3/8"		4-P		9'-8 3/8"	
2-K	15'-7 1/4"	3-J		4-Q		6-K	
		23'-6 1/2"		8'		15'-6 5/8"	
		3-K		4-R		6-L	
		27'-11 1/2"		13'		20'-4 3/8"	
		3-L		4-S		6-M	
		29'-6 1/2"		15'-1 5/8"		22'-9 5/8"	
		3-M		4-T		6-N	
		27'-10 7/8"		18'-4 5/8"		22'-4 5/8"	
		3-N		5-C1		6-O	
		23'-5 1/2"		24'-7 1/8"		17'-5 3/8"	
		3-O		5-C2		6-P	
		12'		14'-10 3/8"		17'-5 3/8"	
		4'		5-I		6-Q	
		3-P		8'-3 1/2"		12'-11 7/8"	
		12'-7 3/4"		5-J		6-R	
		3-R		12'-1"		12'	
		17'-5 5/8"		5-K		6-S	
		19'-1 1/4"		17'-10 1/4"		10'-2 3/8"	
				5-L		6-T	
				22'-11"		1'-6 1/2"	
				5-M			
				25'-6 7/8"			

BOX POINTS		A-H4		B-H5		D-C1	
POINTS	DISTANCE	A-H5		B-H6		D-C2	
A-B	23'-0 3/4"	15'-11 3/8"		28'-4 1/4"		32'-11 7/8"	
A-C	39'-5 3/8"	16'-6"		19'-4 1/8"		8'	
A-C1	8'	A-H6		C-C1		D-E	
A-C2	32'-11 7/8"	20'-11 7/8"		35'-4 3/8"		25'-3 5/8"	
A-D	32'	B-C		C-C2		D-F	
A-E	11'-3 3/4"	32'		15'-0 3/4"		5'-7 7/8"	
A-F	28'-3 3/8"	B-C1		C-D		D-G	
A-G	27'-9 5/8"	15'-0 3/4"		23'-0 3/4"		19'-8 5/8"	
A-H	23'-3 5/8"	B-C2		C-E		D-H	
A-H1	16'-7 5/8"	35'-4 3/8"		28'-4"		23'-3 5/8"	
A-H2	8'-4 5/8"	B-D		C-F		D-H1	
A-H3	8'-10 3/8"	39'-5 3/8"		19'-5 3/4"		25'-0 7/8"	
		B-E		C-G		D-H2	
		17'-0 5/8"		11'-8 3/8"		24'-1 1/2"	
		B-F		C-H		D-H3	
		33'-10 1/2"		17'-1 1/2"		23'-7 5/8"	
		B-G		C-H1		D-H4	
		22'-9 7/8"		23'-9 3/8"		27'-1 1/4"	
		B-H		C-H2		D-H5	
		17'-1 1/2"		31'-7 1/4"		15'-6"	
		B-H1		C-H3		D-H6	
		14'-7 3/8"		31'-2 3/4"		20'-2 5/8"	
		B-H2		C-H4			
		22'-0 3/4"		25'-4 1/2"			
		B-H3		C-H5			
		22'-3"		27'-9 1/2"			
		B-H4		C-H6			
		12'-9 1/2"		18'-5 7/8"			

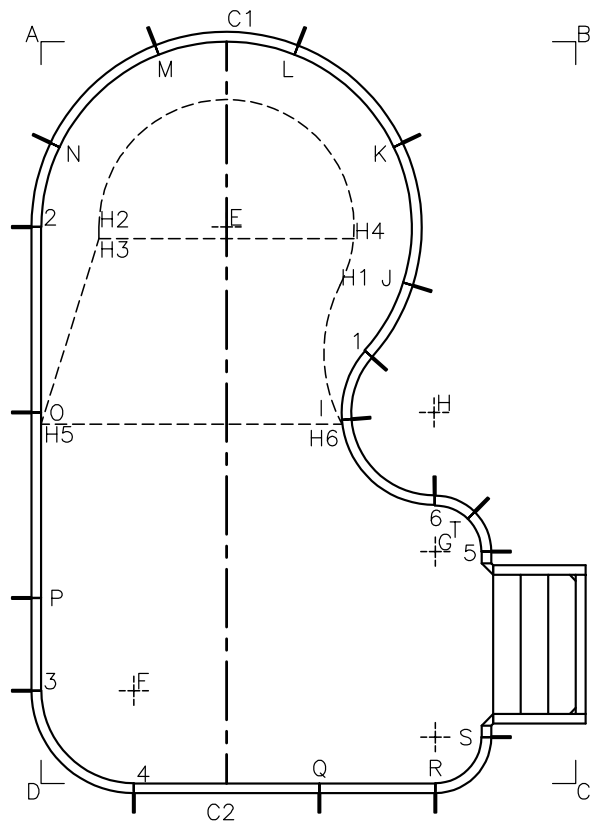
<b>Date:</b> 5/10/2022	<b>Perimeter:</b> 101'-4"	 cardinalpools.com
<b>Drawn By:</b> JESSE H	<b>Area:</b> 520.5 SQ. FT.	
<b>Scale:</b> 1/8" = 1'-0"	<b>Notes:</b> - - - -	

This information is the confidential property of Cardinal Systems, Inc. Disclosure or duplication without proper written approval is strictly prohibited. Acceptance and use of this drawing constitutes knowledge and acceptance by the user of the terms and conditions set forth in the notice and warning which accompanied this drawing is incorporated herein and made part hereof and is found on Cardinal Systems, Inc's website at [www.CardinalSystemsInc.com](http://www.CardinalSystemsInc.com)



**Pool Size:** 16' X 32'  
**Pool Shape:** CELEBRITY **Approx Gal:** 16,591  
**Pool Number:** 1632CELEB – (STEEL)

250 Route 61 South, Schuylkill Haven, PA 17972 • 570-385-4733 • fax: 570-385-1318 • CustomerService@CardinalSystemsinc.com



**Date:** 5/10/2022

**Perimeter:** 101'-4"

**Drawn By:** JESSE H

**Area:** 520.5 SQ. FT.

**Scale:** 1/8" = 1'-0"

**Notes:** - - - -



This information is the confidential property of Cardinal Systems, Inc. Disclosure or duplication without proper written approval is strictly prohibited. Acceptance and use of this drawing constitutes knowledge and acceptance by the user of the terms and conditions set forth in the notice and warning which accompanied this drawing is incorporated herein and made part hereof and is found on Cardinal Systems, Inc's website at www.CardinalSystemsInc.com

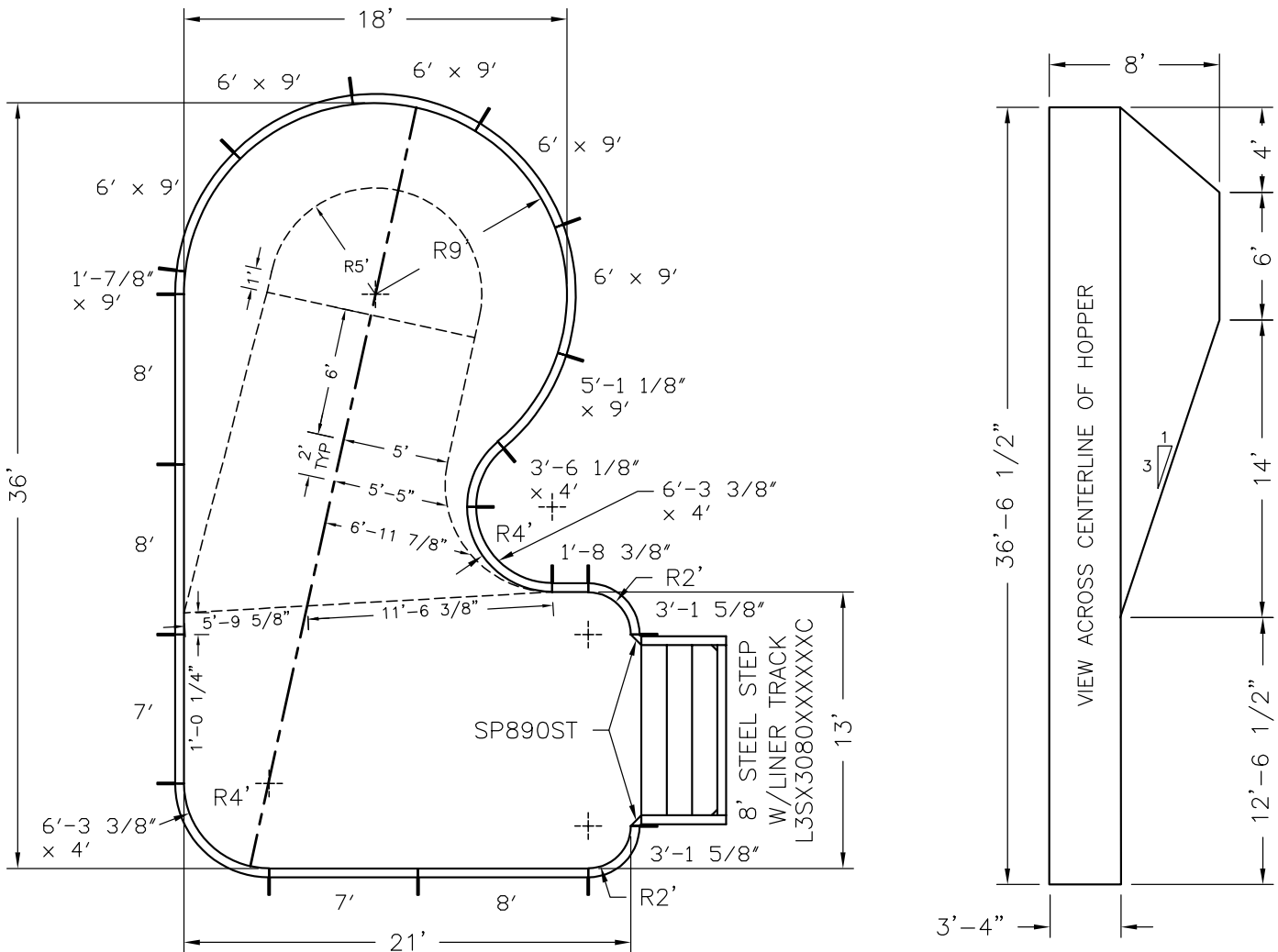


**Pool Size:** 18' X 36'  
**Pool Shape:** CELEBRITY **Approx Gal:** 23,444  
**Pool Number:** 1836CELEB – (STEEL)

250 Route 61 South, Schuylkill Haven, PA 17972 • 570-385-4733 • fax: 570-385-1318 • CustomerService@CardinalSystemsinc.com

### Bill of Materials

PART NO.	QUANTITY	DESCRIPTION
"A" FRAME	19	"A" FRAME ASSEMBLY
5C42315XX02000	2	2' RADIUS CORNER
L3SX3080XXXXXXC	1	8' STEEL STEP W/LINER TRACK
SP890ST	2	STRAIGHT WALL STEP TRANSITION
5C42107XX09000	1	1'-7/8" x 9' Radius C PANEL W/O Z
5C42511XX09000	1	5'-1 1/8" x 9' Radius C PANEL W/O Z
5C42600XX09000	5	6' x 9' Radius C PANEL W/O Z
5C42633XX04000	1	6'-3 3/8" x 4' Radius C PANEL W/O Z
5R42361XX04000	1	3'-6 1/8" x 4' Radius R PANEL W/O Z
5R42633XX04000	1	6'-3 3/8" x 4' Radius R PANEL W/O Z
5S42183XXX0	1	1'-8 3/8" Straight PANEL W/O Z
5S42700XXX2	2	7' Straight PANEL W/2 Z
5S42800XXX2	3	8' Straight PANEL W/2 Z



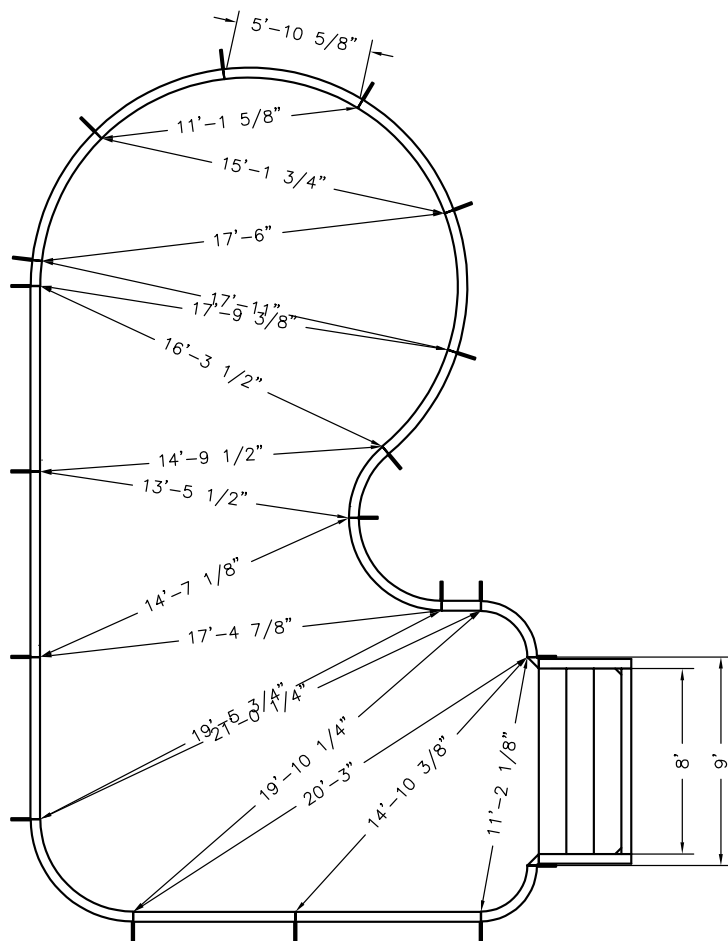
<b>Date:</b> 5/10/2022	<b>Perimeter:</b> 114'-9 1/4"	
<b>Drawn By:</b> JESSE H	<b>Area:</b> 644.5 SQ. FT.	
<b>Scale:</b> 1/8" = 1'-0"	<b>Notes:</b> -----	

This information is the confidential property of Cardinal Systems, Inc. Disclosure or duplication without proper written approval is strictly prohibited. Acceptance and use of this drawing constitutes knowledge and acceptance by the user of the terms and conditions set forth in the notice and warning which accompanied this drawing is incorporated herein and made part hereof and is found on Cardinal Systems, Inc's website at www.CardinalSystemsInc.com



**Pool Size:** 18' X 36'  
**Pool Shape:** CELEBRITY      **Approx Gal:** 23,444  
**Pool Number:** 1836CELEB – (STEEL)

250 Route 61 South, Schuylkill Haven, PA 17972 • 570-385-4733 • fax: 570-385-1318 • CustomerService@CardinalSystemsinc.com



**Date:** 5/10/2022

**Perimeter:** 114'-9 1/4"

**Drawn By:** JESSE H

**Area:** 644.5 SQ. FT.

**Scale:** 1/8" = 1'-0"

**Notes:** - - - -



cardinalpools.com

This information is the confidential property of Cardinal Systems, Inc. Disclosure or duplication without proper written approval is strictly prohibited. Acceptance and use of this drawing constitutes knowledge and acceptance by the user of the terms and conditions set forth in the notice and warning which accompanied this drawing is incorporated herein and made part hereof and is found on Cardinal Systems, Inc's website at www.CardinalSystemsInc.com



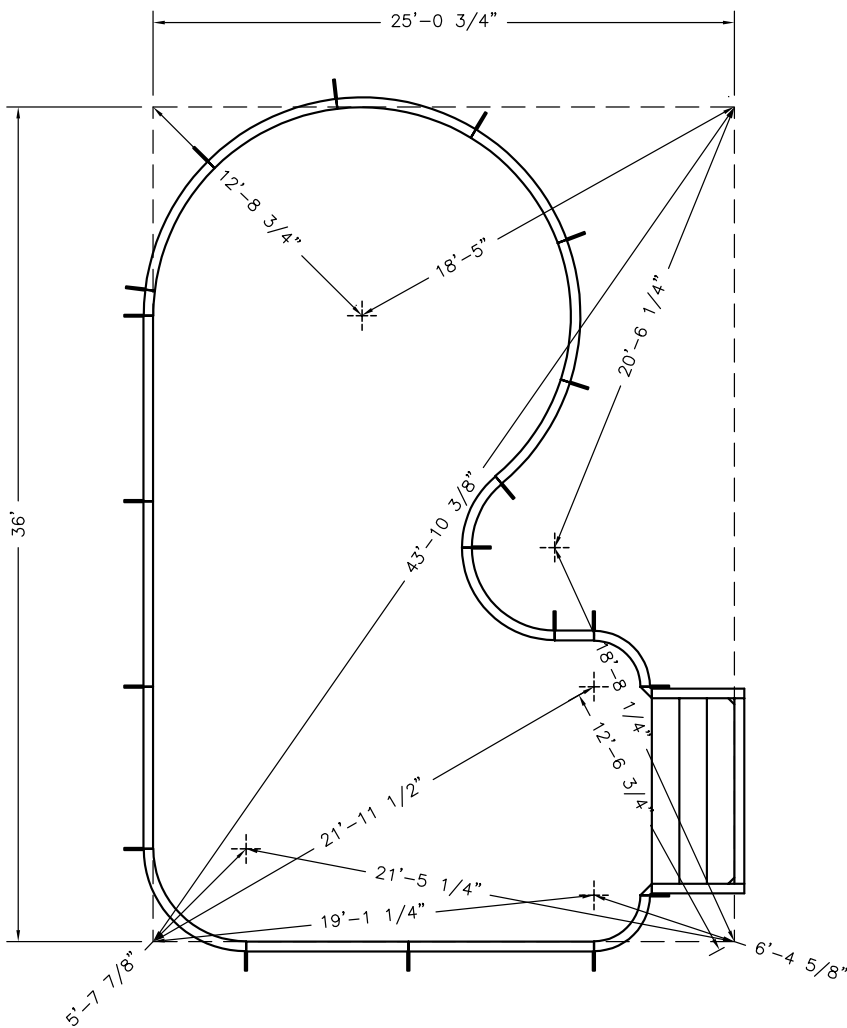
**Pool Size:** 18' X 36'

**Pool Shape:** CELEBRITY

**Approx Gal:** 23,444

**Pool Number:** 1836CELEB – (STEEL)

250 Route 61 South, Schuylkill Haven, PA 17972 • 570-385-4733 • fax: 570-385-1318 • CustomerService@CardinalSystemsinc.com



**Date:** 5/10/2022

**Perimeter:** 114'–9 1/4"

**Drawn By:** JESSE H

**Area:** 644.5 SQ. FT.

**Scale:** 1/8" = 1'–0"

**Notes:** -----



cardinalpools.com

This information is the confidential property of Cardinal Systems, Inc. Disclosure or duplication without proper written approval is strictly prohibited. Acceptance and use of this drawing constitutes knowledge and acceptance by the user of the terms and conditions set forth in the notice and warning which accompanied this drawing is incorporated herein and made part hereof and is found on Cardinal Systems, Inc's website at www.CardinalSystemsInc.com





**Pool Size:** 18' X 36'  
**Pool Shape:** CELEBRITY **Approx Gal:** 23,444  
**Pool Number:** 1836CELEB – (STEEL)

250 Route 61 South, Schuylkill Haven, PA 17972 • 570-385-4733 • fax: 570-385-1318 • CustomerService@CardinalSystemsInc.com

HOPPER DIG POINTS		E-H2	5'	F-H2	24'-0 7/8"	G-H2	17'-2 5/8"
POINTS	DISTANCE	E-H3	5'-1 1/4"	F-H3	23'-1"	G-H3	8'-9"
		E-H4	5'-1 1/4"	F-H4	23'-1 1/8"	G-H4	16'-9 3/8"
E-F	23'-6 1/2"	E-H5	17'-5 3/4"	F-H5	8'-11 1/2"	G-H5	18'-0 1/8"
E-G	13'	E-H6	16'-3 3/8"	F-H6	16'-0 3/4"	G-H6	4'
F-G	18'-7 1/4"	E-H7	8'-7 1/4"	F-H7	17'-3 1/4"	G-H7	5'-4 1/8"
E-H1	5'	F-H1	24'-0 5/8"	G-H1	9'-6 3/4"		

PANEL TO HOPPER POINTS		2-H1	13'-11 1/8"	3-H4	23'-5"	4-H7	20'-10 1/4"
POINTS	DISTANCE	2-H2	4'-3"	3-H5	8'-0 1/4"	5-H1	13'-4 1/2"
		2-H3	13'-9 7/8"	3-H6	19'-6 1/8"	5-H2	20'-0 3/8"
1-H1	5'-11"	2-H4	3'-10 7/8"	3-H7	19'-6 3/8"	5-H3	12'-6"
1-H2	13'-3 5/8"	2-H5	14'-11 3/4"	4-H1	27'-9"	5-H4	19'-5 3/8"
1-H3	5'	2-H6	22'-3 1/8"	4-H2	28'-0 7/8"	5-H5	17'-4"
1-H4	12'-11"	2-H7	14'-8 3/8"	4-H3	26'-9 1/8"	5-H6	0"
1-H5	16'-9 3/4"	3-H1	25'-11 1/2"	4-H4	27'-1 1/8"	5-H7	7'-10"
1-H6	7'-6 1/4"	3-H2	24'-5"	4-H5	12'-8"		
1-H7	2'-6 3/4"	3-H3	25'-0 1/4"	4-H6	18'-7 1/4"		

PANEL TO PANEL POINTS		2-H	16'-7 3/4"	3-M	11'-8 1/2"	4-R	36'-1 7/8"
POINTS	DISTANCE	2-I	23'-7 1/4"	3-N	7'	4-S	36'-0 1/8"
		2-J	26'-4 3/4"	3-O	15'	4-T	32'-11 7/8"
1-C1	16'-2 1/8"	2-K	32'-7 3/4"	3-P	24'-0 7/8"	4-U	27'-9 3/8"
1-C2	23'-1 3/8"	2-L	33'-0 1/8"	3-Q	29'-5 7/8"	5-C1	23'-8"
1-H	3'-4 3/4"	2-M	29'-1 7/8"	3-R	32'-10 7/8"	5-C2	19'-2 1/8"
1-I	8'-3"	2-N	16'	3-S	33'-7 1/8"	5-H	5'-7 7/8"
1-J	11'-0 1/4"	2-O	8'	3-T	31'-5"	5-I	1'-8 3/8"
1-K	19'-1 1/2"	2-P	1'-0 7/8"	3-U	26'-9 5/8"	5-J	4'-2 3/8"
1-L	20'-6 1/4"	2-Q	6'-10 3/4"	4-C1	36'-5 1/2"	5-K	11'-7 1/4"
1-M	20'-5 1/8"	2-R	11'-11 1/2"	4-C2	10 5/8"	5-L	13'-1 3/8"
1-N	17'-3 7/8"	2-S	15'-8 3/8"	4-H	19'-4 5/8"	5-M	14'-5 3/8"
1-O	14'-9 1/2"	2-T	17'-8 5/8"	4-I	19'-10 1/4"	5-N	17'-5"
1-P	16'-8 5/8"	2-U	17'-9 3/8"	4-J	20'-3"	5-O	18'-3 3/4"
1-Q	17'-11 3/4"	3-C1	33'-7 3/8"	4-K	17'-1 3/8"	5-P	22'-10 7/8"
1-R	17'-3 1/8"	3-C2	5'	4-L	15'	5-Q	25'-1 1/4"
1-S	14'-7 3/4"	3-H	18'-7 1/4"	4-M	7'	5-R	24'-9 3/8"
1-T	10'-4 7/8"	3-I	21'-0 1/4"	4-N	11'-8 1/2"	5-S	21'-11 3/4"
1-U	5'-0 3/8"	3-J	22'-1 5/8"	4-O	19'-5"	5-T	17'-1 5/8"
2-C1	14'-0 1/4"	3-K	21'-1 1/8"	4-P	28'-4 1/8"	5-U	11'-3"
2-C2	27'-1"	3-L	19'-5"	4-Q	33'-4 3/4"		

BOX POINTS		A-H5	23'-11 3/4"	B-H6	24'-3 1/4"	D-C1	37'-5"
POINTS	DISTANCE	A-H6	28'-9 3/8"	B-H7	21'-1 1/2"	D-C2	3'-1 1/2"
		A-H7	20'-11 1/2"	C-C1	38'-5 3/4"	D-E	28'-5 1/2"
A-B	25'-0 3/4"	B-C	36'	C-C2	21'-11 3/8"	D-F	5'-7 7/8"
A-C	43'-10 3/8"	B-C1	14'-1 3/4"	C-D	25'-0 3/4"	D-G	24'-3 1/8"
A-C1	10'-11 1/8"	B-C2	42'-0 7/8"	C-E	31'-5"	D-H1	29'-5"
A-C2	36'-0 1/2"	B-D	43'-10 3/8"	C-F	21'-5 1/4"	D-H2	28'-4 3/8"
A-D	36'	B-E	18'-5"	C-G	18'-8 1/4"	D-H3	28'-5 1/2"
A-E	12'-8 3/4"	B-F	38'-3 3/4"	C-H1	28'-2 7/8"	D-H4	27'-4 1/2"
A-F	32'-3"	B-G	20'-6 1/4"	C-H2	35'-0 1/4"	D-H5	12'-0 1/4"
A-G	25'-8 3/8"	B-H1	15'-0 1/2"	C-H3	27'-5 1/8"	D-H6	21'-7 3/4"
A-H1	17'-1 3/4"	B-H2	22'-4 3/4"	C-H4	34'-4 1/2"	D-H7	22'-9 1/8"
A-H2	8'-11 1/4"	B-H3	15'-10 3/8"				
A-H3	17'-6 7/8"	B-H4	22'-11 1/2"				
A-H4	9'-8 3/4"	B-H5	34'-8 1/4"				

**Date:** 5/10/2022

**Perimeter:** 114'-9 1/4"

**Drawn By:** JESSE H

**Area:** 644.5 SQ. FT.

**Scale:** 1/8" = 1'-0"

**Notes:** - - - -



cardinalpools.com

This information is the confidential property of Cardinal Systems, Inc. Disclosure or duplication without proper written approval is strictly prohibited. Acceptance and use of this drawing constitutes knowledge and acceptance by the user of the terms and conditions set forth in the notice and warning which accompanied this drawing is incorporated herein and made part hereof and is found on Cardinal Systems, Inc's website at www.CardinalSystemsInc.com



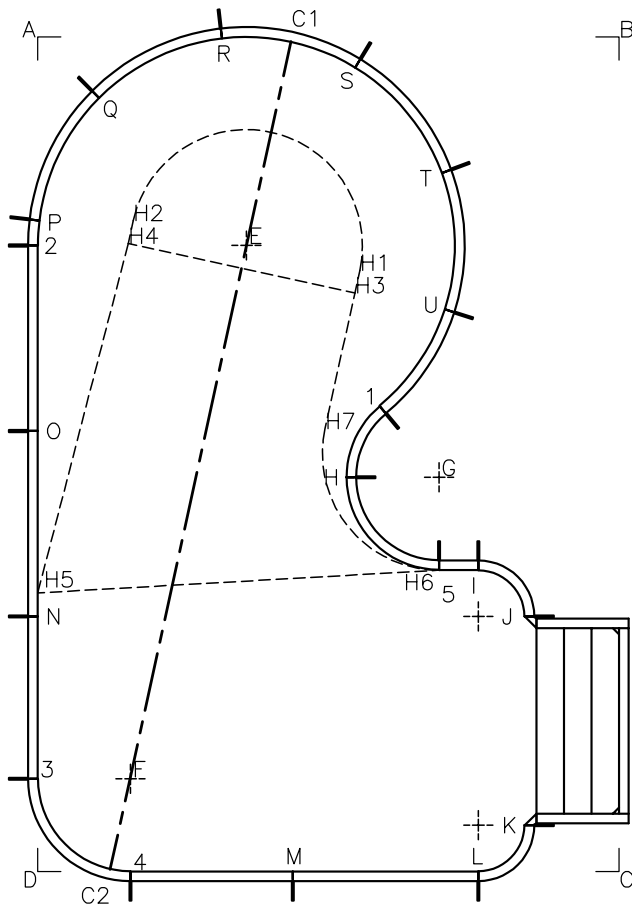
**Pool Size:** 18' X 36'

**Pool Shape:** CELEBRITY

**Approx Gal:** 23,444

**Pool Number:** 1836CELEB – (STEEL)

250 Route 61 South, Schuylkill Haven, PA 17972 • 570-385-4733 • fax: 570-385-1318 • CustomerService@CardinalSystemsinc.com



**Date:** 5/10/2022

**Perimeter:** 114'–9 1/4"

**Drawn By:** JESSE H

**Area:** 644.5 SQ. FT.

**Scale:** 1/8" = 1'–0"

**Notes:** -----



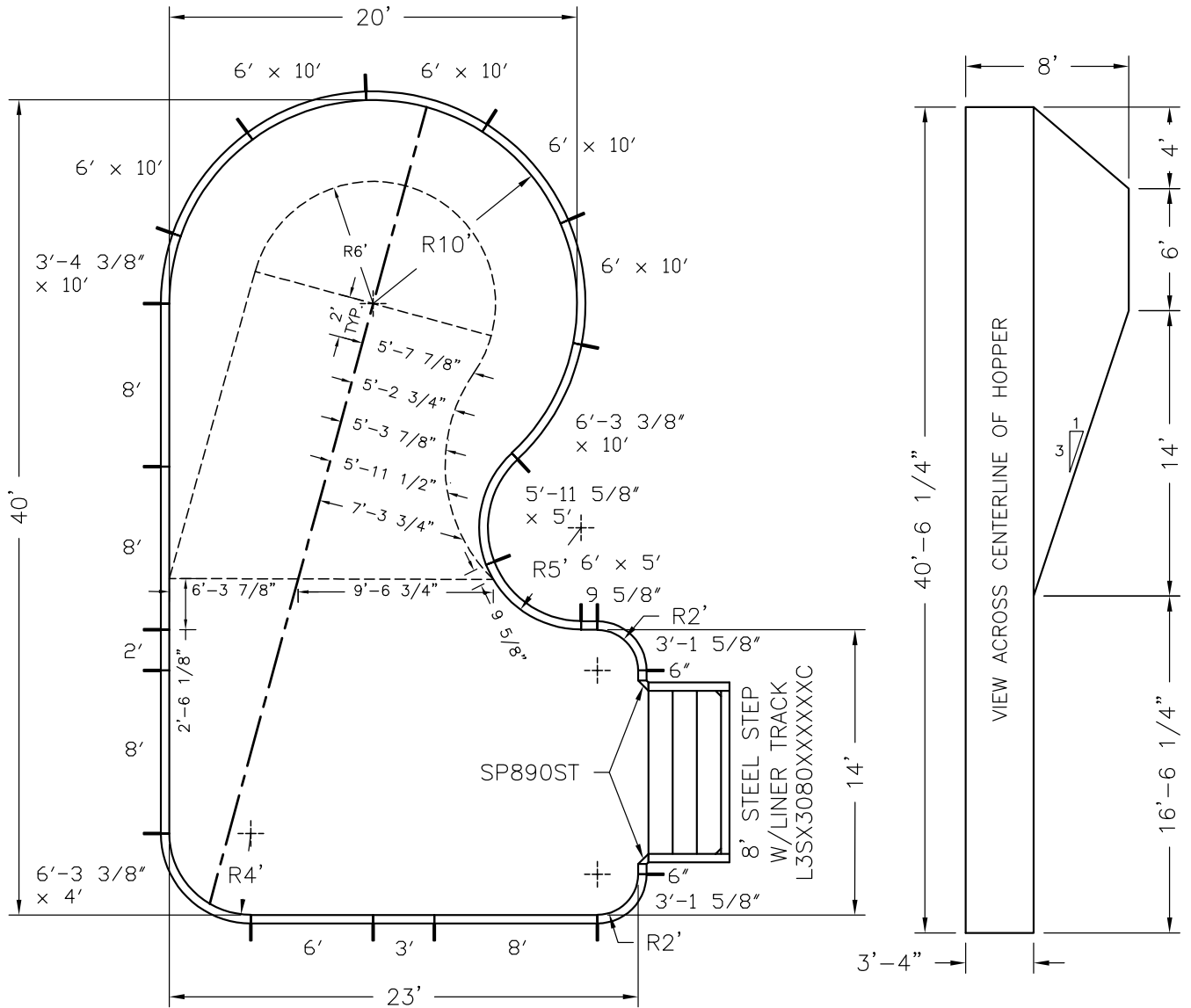
cardinalpools.com


This information is the confidential property of Cardinal Systems, Inc. Disclosure or duplication without proper written approval is strictly prohibited. Acceptance and use of this drawing constitutes knowledge and acceptance by the user of the terms and conditions set forth in the notice and warning which accompanied this drawing is incorporated herein and made part hereof and is found on Cardinal Systems, Inc's website at www.CardinalSystemsInc.com



**Pool Size:** 20' X 40'  
**Pool Shape:** CELEBRITY **Approx Gal:** 28,555  
**Pool Number:** 2040CELEB – (STEEL)

250 Route 61 South, Schuylkill Haven, PA 17972 • 570-385-4733 • fax: 570-385-1318 • CustomerService@CardinalSystemsinc.com



<b>Date:</b> 5/10/2022	<b>Perimeter:</b> 125'-6 1/4"	 cardinalpools.com
<b>Drawn By:</b> JESSE H	<b>Area:</b> 785.0 SQ. FT.	
<b>Scale:</b> 1/8" = 1'-0"	<b>Notes:</b> - - - -	

This information is the confidential property of Cardinal Systems, Inc. Disclosure or duplication without proper written approval is strictly prohibited. Acceptance and use of this drawing constitutes knowledge and acceptance by the user of the terms and conditions set forth in the notice and warning which accompanied this drawing is incorporated herein and made part hereof and is found on Cardinal Systems, Inc's website at www.CardinalSystemsInc.com




**Pool Size:** 20' X 40'  
**Pool Shape:** CELEBRITY **Approx Gal:** 28,555  
**Pool Number:** 2040CELEB – (STEEL)

250 Route 61 South, Schuylkill Haven, PA 17972 • 570-385-4733 • fax: 570-385-1318 • CustomerService@CardinalSystemsinc.com

### Bill of Materials

PART NO.	QUANTITY	DESCRIPTION
"A" FRAME	21	"A" FRAME ASSEMBLY
5C42315XX02000	2	2' RADIUS CORNER
L3SX3080XXXXXXC	1	8' STEEL STEP W/LINER TRACK
SP890ST	2	STRAIGHT WALL STEP TRANSITION
5C42343XX10000	1	3'-4 3/8" x 10' Radius C PANEL W/0 Z
5C42600XX10000	5	6' x 10' Radius C PANEL W/0 Z
5C42633XX10000	1	6'-3 3/8" x 10' Radius C PANEL W/0 Z
5C42633XX04000	1	6'-3 3/8" x 4' Radius C PANEL W/0 Z
5R425E5XX05000	1	5'-11 5/8" x 5' Radius R PANEL W/0 Z
5R42600XX05000	1	6' x 5' Radius R PANEL W/0 Z
5S42060XXX0	2	6" Straight PANEL W/0 Z
5S42095XXX0	1	9 5/8" Straight PANEL W/0 Z
5S42200XXX0	1	2' Straight PANEL W/0 Z
5S42300XXX0	1	3' Straight PANEL W/0 Z
5S42600XXX1	1	6' Straight PANEL W/1 Z
5S42800XXX2	4	8' Straight PANEL W/2 Z

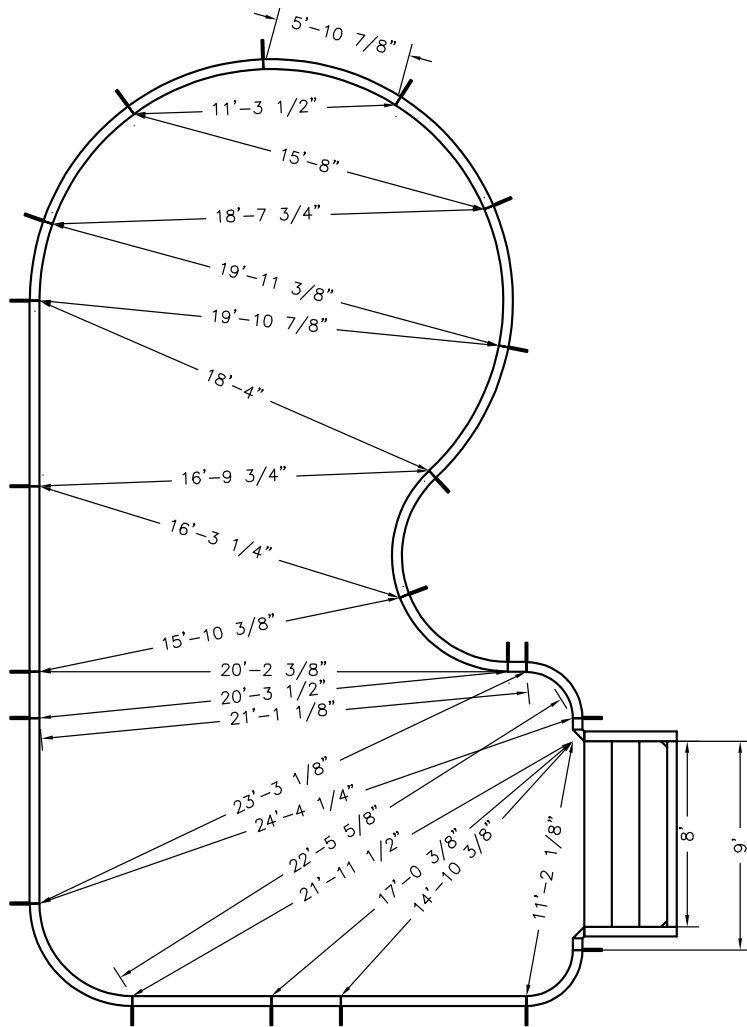
<b>Date:</b> 5/10/2022	<b>Perimeter:</b> 125'-6 1/4"	 <small>cardinalpools.com</small>
<b>Drawn By:</b> JESSE H	<b>Area:</b> 785.0 SQ. FT.	
<b>Scale:</b> 1/8" = 1'-0"	<b>Notes:</b> -----	

This information is the confidential property of Cardinal Systems, Inc. Disclosure or duplication without proper written approval is strictly prohibited. Acceptance and use of this drawing constitutes knowledge and acceptance by the user of the terms and conditions set forth in the notice and warning which accompanied this drawing is incorporated herein and made part hereof and is found on Cardinal Systems, Inc's website at [www.CardinalSystemsInc.com](http://www.CardinalSystemsInc.com)



**Pool Size:** 20' X 40'  
**Pool Shape:** CELEBRITY      **Approx Gal:** 28,555  
**Pool Number:** 2040CELEB – (STEEL)

250 Route 61 South, Schuylkill Haven, PA 17972 • 570-385-4733 • fax: 570-385-1318 • CustomerService@CardinalSystemsinc.com



**Date:** 5/10/2022

**Perimeter:** 125'-6 1/4"

**Drawn By:** JESSE H

**Area:** 785.0 SQ. FT.

**Scale:** 1/8" = 1'-0"

**Notes:** - - - -



cardinalpools.com

This information is the confidential property of Cardinal Systems, Inc. Disclosure or duplication without proper written approval is strictly prohibited. Acceptance and use of this drawing constitutes knowledge and acceptance by the user of the terms and conditions set forth in the notice and warning which accompanied this drawing is incorporated herein and made part hereof and is found on Cardinal Systems, Inc's website at www.CardinalSystemsInc.com



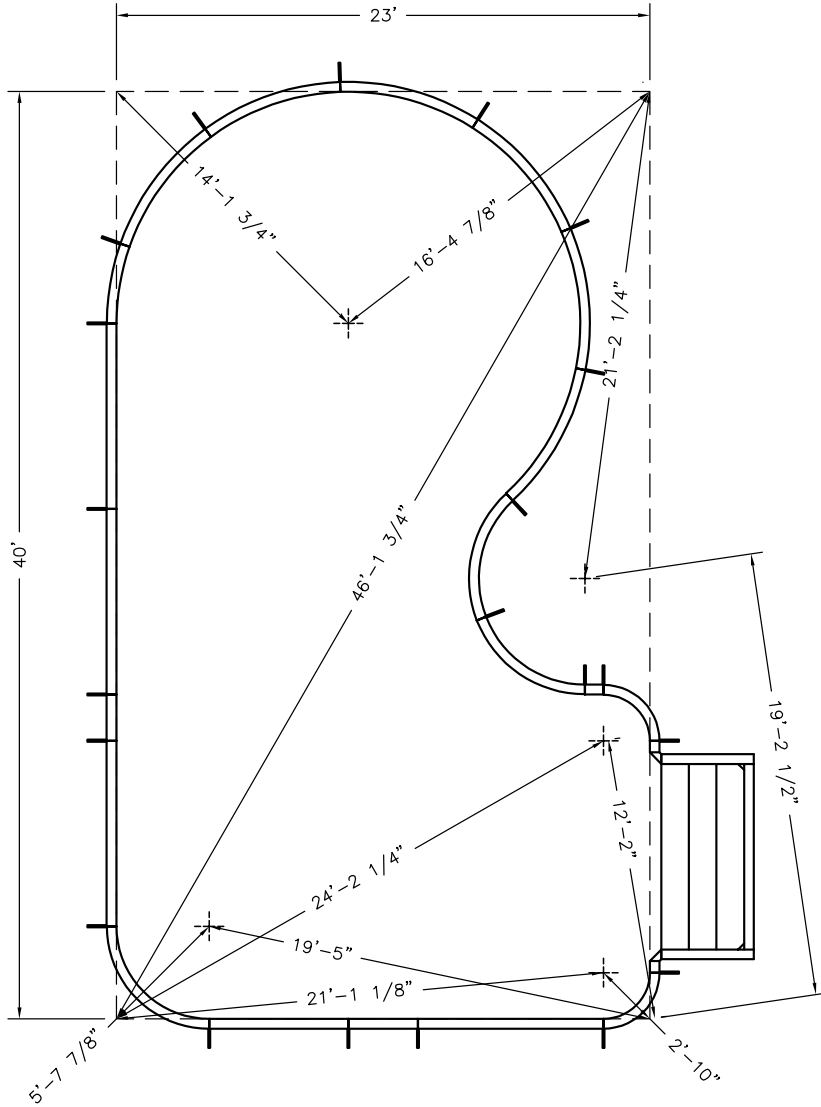
**Pool Size:** 20' X 40'


**Pool Shape:** CELEBRITY

**Approx Gal:** 28,555

**Pool Number:** 2040CELEB – (STEEL)

250 Route 61 South, Schuylkill Haven, PA 17972 • 570-385-4733 • fax: 570-385-1318 • CustomerService@CardinalSystemsinc.com



<b>Date:</b> 5/10/2022	<b>Perimeter:</b> 125'-6 1/4"	 cardinalpools.com
<b>Drawn By:</b> JESSE H	<b>Area:</b> 785.0 SQ. FT.	
<b>Scale:</b> 1/8" = 1'-0"	<b>Notes:</b> -----	

This information is the confidential property of Cardinal Systems, Inc. Disclosure or duplication without proper written approval is strictly prohibited. Acceptance and use of this drawing constitutes knowledge and acceptance by the user of the terms and conditions set forth in the notice and warning which accompanied this drawing is incorporated herein and made part hereof and is found on Cardinal Systems, Inc's website at www.CardinalSystemsInc.com



**Pool Size:** 20' X 40'  
**Pool Shape:** CELEBRITY **Approx Gal:** 28,555  
**Pool Number:** 2040CELEB – (STEEL)

250 Route 61 South, Schuylkill Haven, PA 17972 • 570-385-4733 • fax: 570-385-1318 • CustomerService@CardinalSystemsinc.com

HOPPER DIG POINTS		E-H1	6'	F-H2	27'-6 7/8"	G-H3	10'-4 7/8"
POINTS	DISTANCE	E-H2	6'	F-H3	27'-1 1/2"	G-H4	20'-4 1/4"
		E-H3	6'	F-H4	13'-1 5/8"	G-H5	5'
E-F	26'-8 1/4"	E-H4	16'-9 1/2"	F-H5	17'-2 3/4"		
E-G	15'	E-H5	14'-9 1/8"	G-H1	9'-2 3/4"		
F-G	22'-0 7/8"	F-H1	25'-1 1/8"	G-H2	20'-4 1/8"		
PANEL TO HOPPER POINTS		1-H5	6'-3 1/4"	3-H2	27'-10 3/4"	4-H4	16'-11 7/8"
POINTS	DISTANCE	2-H1	15'-3 7/8"	3-H3	29'-1"	4-H5	20'-3 3/4"
		2-H2	4'-6"	3-H4	12'-6 1/8"	5-H1	13'-7 3/4"
1-H1	4'-4 1/8"	2-H3	15'-10 3/8"	3-H5	20'-2 3/8"	5-H2	23'-9 1/8"
1-H2	15'-5 1/8"	2-H4	13'-5 7/8"	4-H1	28'-8 7/8"	5-H3	15'-1"
1-H3	5'-10 1/8"	2-H5	20'-10 1/2"	4-H2	31'-6 7/8"	5-H4	20'-4 1/4"
1-H4	17'-10 3/4"	3-H1	27'-0 7/8"	4-H3	30'-9 1/4"	5-H5	4'-11 5/8"
PANEL TO PANEL POINTS		2-I	26'-4 3/4"	3-J	8'	4-U	40'-1"
POINTS	DISTANCE	2-J	29'-2 1/2"	3-P	10'	4-V	37'-2 1/4"
		2-K	36'-2 7/8"	3-Q	18'	4-W	32'-2 1/2"
1-C1	17'-5 7/8"	2-L	36'-7 3/8"	3-R	29'-3 3/4"	5-C1	26'-8 7/8"
1-C2	26'-7 1/2"	2-M	32'-8 3/8"	3-S	34'-3 5/8"	5-C2	22'-7 3/4"
1-H	5'-7 1/2"	2-N	31'-7 1/2"	3-T	37'-3 1/4"	5-H	5'-7 3/4"
1-I	9'-7 5/8"	2-O	18'	3-U	37'-8 1/2"	5-I	9 5/8"
1-J	12'-4"	2-P	16'	3-V	35'-6 3/4"	5-J	3'-5 1/4"
1-K	21'-6 7/8"	2-Q	8'	3-W	31'-2"	5-K	12'-3 7/8"
1-L	23'-0 5/8"	2-R	3'-4 1/4"	4-C1	40'-6 7/8"	5-L	14'-0 1/4"
1-M	22'-11 3/4"	2-S	9'-0 3/8"	4-C2	2'-1 1/8"	5-M	15'-8 7/8"
1-N	23'-8"	2-T	13'-10 3/4"	4-H	20'-8 3/8"	5-N	17'-3 7/8"
1-O	19'-10 3/4"	2-U	17'-6 3/8"	4-I	22'-0 1/4"	5-O	20'-3 1/2"
1-P	18'-10 7/8"	2-V	19'-7 1/8"	4-J	22'-5 5/8"	5-P	20'-2 3/8"
1-Q	16'-9 3/4"	2-W	19'-10 7/8"	4-K	19'-1 1/4"	5-Q	21'-8 3/4"
1-R	19'-4 7/8"	3-C1	37'-9 7/8"	4-L	17'	5-R	27'-6 3/8"
1-S	19'-11 5/8"	3-C2	3'-11 3/4"	4-M	9'	5-S	28'-11 1/2"
1-T	18'-8 7/8"	3-H	20'-4 5/8"	4-N	6'	5-T	28'-0 5/8"
1-U	15'-10 1/8"	3-I	23'-3 1/8"	4-O	12'-7 3/4"	5-U	24'-11"
1-V	11'-6 1/4"	3-J	24'-4 1/4"	4-P	14'-6 3/4"	5-V	19'-11 5/8"
1-W	6'-2 1/8"	3-K	23'-1"	4-Q	22'-4 3/8"	5-W	14'-0 3/4"
2-C1	15'-10 3/4"	3-L	21'-4 1/2"	4-R	33'-5 3/4"		
2-C2	29'-6 1/4"	3-M	13'-7 1/4"	4-S	38'-0 5/8"		
2-H	20'-1 5/8"	3-N	10'-9 1/4"	4-T	40'-4 3/4"		
BOX POINTS		A-H3	19'-7"	B-H4	35'-10"	D-C1	41'-7 3/8"
POINTS	DISTANCE	A-H4	23'-5 7/8"	B-H5	26'-0 5/8"	D-C2	2'-0 5/8"
		A-H5	28'-4 3/4"	C-C1	42'-2 3/8"	D-E	31'-7 1/2"
A-B	27'-0 3/4"	B-C	40'	C-C2	25'-1 1/8"	D-F	5'-7 7/8"
A-C	48'-3 1/2"	B-C1	14'-5 1/4"	C-D	27'-0 3/4"	D-G	27'-8 3/4"
A-C1	12'-7 5/8"	B-C2	46'-9"	C-E	34'-6 1/8"	D-H1	30'-5 7/8"
A-C2	39'-6"	B-D	48'-3 1/2"	C-F	23'-4 7/8"	D-H2	31'-10 1/4"
A-D	40'	B-E	19'-9 3/8"	C-G	20'-2 3/8"	D-H3	32'-6 1/8"
A-E	14'-1 3/4"	B-F	42'-9"	C-H1	29'-2 5/8"	D-H4	16'-6 1/8"
A-F	36'-2 5/8"	B-G	22'-1 1/8"	C-H2	38'-11 3/4"	D-H5	22'-10 5/8"
A-G	29'-1 5/8"	B-H1	18'-1"	C-H3	30'-6 7/8"		
A-H1	20'-0 7/8"	B-H2	24'-4 1/4"	C-H4	31'-8 3/8"		
A-H2	9'-5"	B-H3	16'-1 7/8"	C-H5	19'-10 3/4"		

**Date:** 5/10/2022

**Perimeter:** 125'-6 1/4"

**Drawn By:** JESSE H

**Area:** 785.0 SQ. FT.

**Scale:** 1/8" = 1'-0"

**Notes:** - - - -



cardinalpools.com

This information is the confidential property of Cardinal Systems, Inc. Disclosure or duplication without proper written approval is strictly prohibited. Acceptance and use of this drawing constitutes knowledge and acceptance by the user of the terms and conditions set forth in the notice and warning which accompanied this drawing is incorporated herein and made part hereof and is found on Cardinal Systems, Inc's website at www.CardinalSystemsInc.com



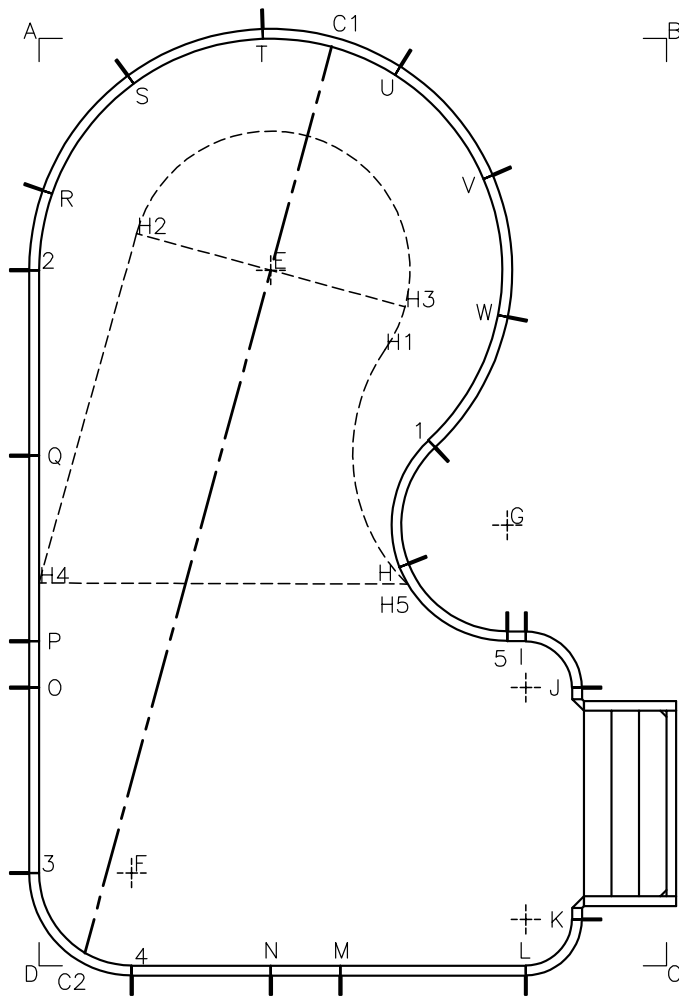
**Pool Size:** 20' X 40'

**Pool Shape:** CELEBRITY

**Approx Gal:** 28,555

**Pool Number:** 2040CELEB – (STEEL)

250 Route 61 South, Schuylkill Haven, PA 17972 • 570-385-4733 • fax: 570-385-1318 • CustomerService@CardinalSystemsinc.com



**Date:** 5/10/2022

**Perimeter:** 125'-6 1/4"

**Drawn By:** JESSE H

**Area:** 785.0 SQ. FT.

**Scale:** 1/8" = 1'-0"

**Notes:** -----



cardinalpools.com

This information is the confidential property of Cardinal Systems, Inc. Disclosure or duplication without proper written approval is strictly prohibited. Acceptance and use of this drawing constitutes knowledge and acceptance by the user of the terms and conditions set forth in the notice and warning which accompanied this drawing is incorporated herein and made part hereof and is found on Cardinal Systems, Inc's website at www.CardinalSystemsInc.com



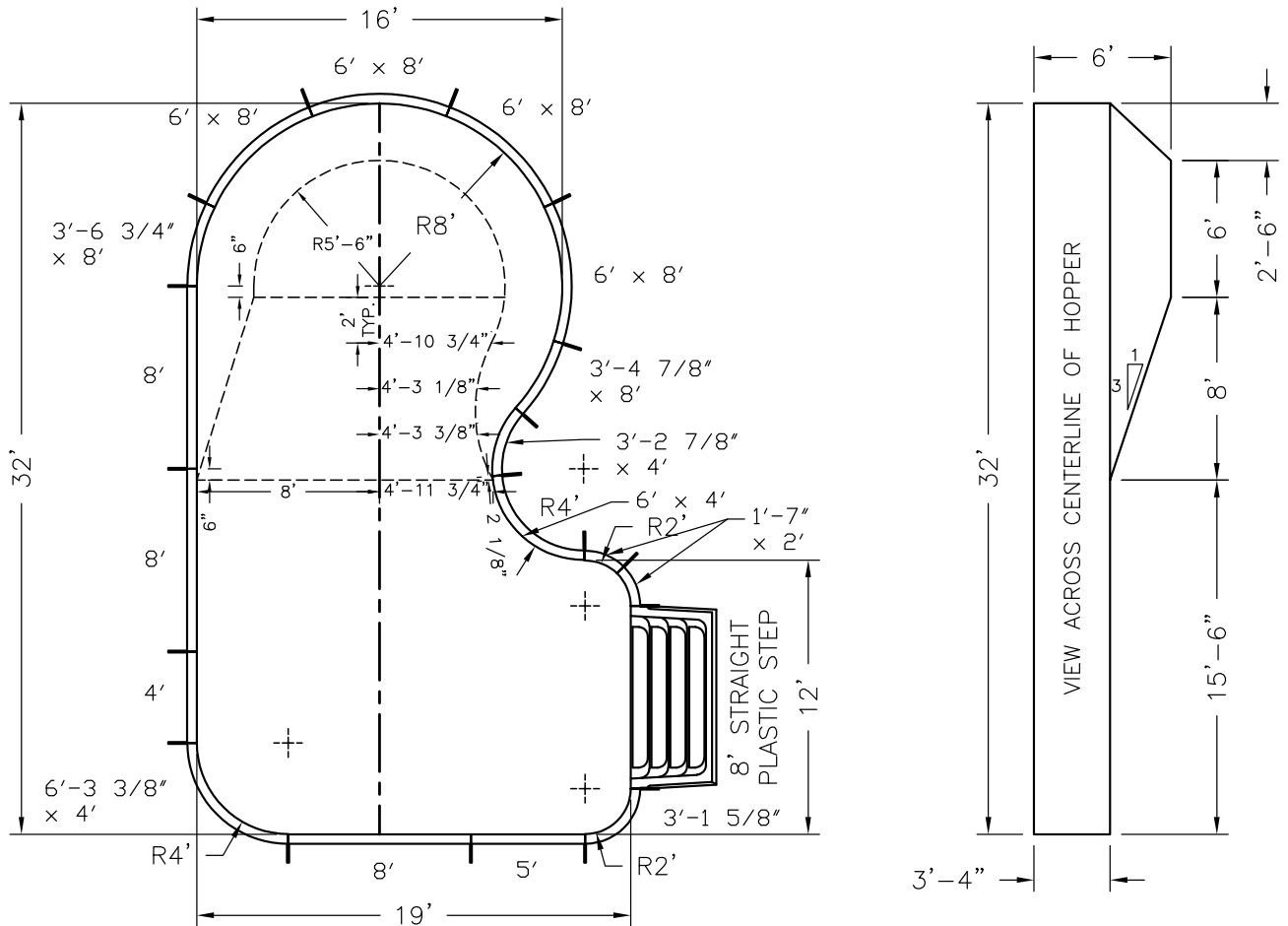


**Pool Size:** 16' X 32'  
**Pool Shape:** CELEBRITY **Approx Gal:** 15,807  
**Pool Number:** 1632CELEB – (PLASTIC)

250 Route 61 South, Schuylkill Haven, PA 17972 • 570-385-4733 • fax: 570-385-1318 • CustomerService@CardinalSystemsinc.com

Bill of Materials

PART NO.	QUANTITY	DESCRIPTION
"A" FRAME	18	"A" FRAME ASSEMBLY
5C42315XX02000	1	2' RADIUS CORNER
5C42170XX02000	2	1'-7" x 2' Radius C PANEL W/O Z
5C42347XX08000	1	3'-4 7/8" x 8' Radius C PANEL W/O Z
5C42366XX08000	1	3'-6 3/4" x 8' Radius C PANEL W/O Z
5C42600XX08000	4	6' x 8' Radius C PANEL W/O Z
5C42633XX04000	1	6'-3 3/8" x 4' Radius C PANEL W/O Z
5R42327XX04000	1	3'-2 7/8" x 4' Radius R PANEL W/O Z
5R42600XX04000	1	6' x 4' Radius R PANEL W/O Z
5S42400XXX0	1	4' Straight PANEL W/O Z
5S42500XXX0	1	5' Straight PANEL W/O Z
5S42800XXX2	3	8' Straight PANEL W/2 Z



NOTE: THIS IS A NON DIVING POOL.

<b>Date:</b> 5/10/2022	<b>Perimeter:</b> 93'-9 1/2"	
<b>Drawn By:</b> JESSE H	<b>Area:</b> 495.9 SQ. FT.	
<b>Scale:</b> 1/8" = 1'-0"	<b>Notes:</b> - - - -	

This information is the confidential property of Cardinal Systems, Inc. Disclosure or duplication without proper written approval is strictly prohibited. Acceptance and use of this drawing constitutes knowledge and acceptance by the user of the terms and conditions set forth in the notice and warning which accompanied this drawing is incorporated herein and made part hereof and is found on Cardinal Systems, Inc's website at www.CardinalSystemsInc.com



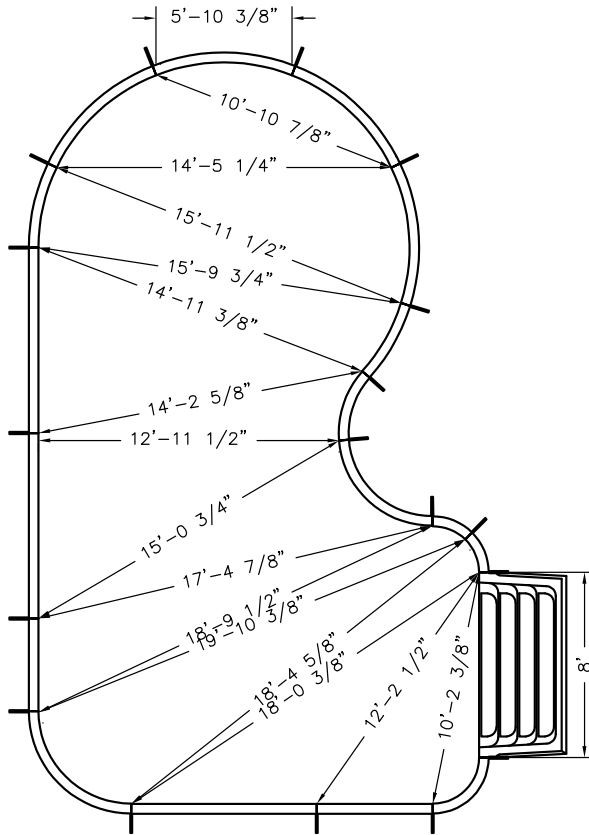
**Pool Size:** 16' X 32'

**Pool Shape:** CELEBRITY

**Approx Gal:** 15,807

**Pool Number:** 1632CELEB – (PLASTIC)

250 Route 61 South, Schuylkill Haven, PA 17972 • 570-385-4733 • fax: 570-385-1318 • CustomerService@CardinalSystemsinc.com



**Date:** 5/10/2022

**Perimeter:** 93'-9 1/2"

**Drawn By:** JESSE H

**Area:** 495.9 SQ. FT.

**Scale:** 1/8" = 1'-0"

**Notes:** -----



cardinalpools.com

This information is the confidential property of Cardinal Systems, Inc. Disclosure or duplication without proper written approval is strictly prohibited. Acceptance and use of this drawing constitutes knowledge and acceptance by the user of the terms and conditions set forth in the notice and warning which accompanied this drawing is incorporated herein and made part hereof and is found on Cardinal Systems, Inc's website at www.CardinalSystemsInc.com



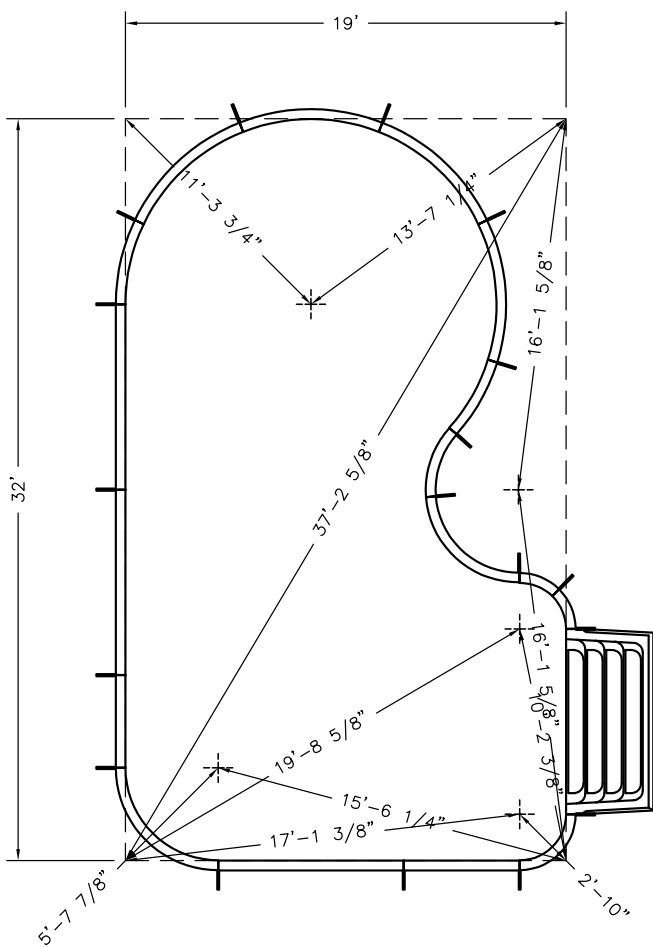
**Pool Size:** 16' X 32'

**Pool Shape:** CELEBRITY

**Approx Gal:** 15,807

**Pool Number:** 1632CELEB – (PLASTIC)

250 Route 61 South, Schuylkill Haven, PA 17972 • 570-385-4733 • fax: 570-385-1318 • CustomerService@CardinalSystemsinc.com



**Date:** 5/10/2022

**Perimeter:** 93'-9 1/2"

**Drawn By:** JESSE H

**Area:** 495.9 SQ. FT.

**Scale:** 1/8" = 1'-0"

**Notes:** - - - -



cardinalpools.com

This information is the confidential property of Cardinal Systems, Inc. Disclosure or duplication without proper written approval is strictly prohibited. Acceptance and use of this drawing constitutes knowledge and acceptance by the user of the terms and conditions set forth in the notice and warning which accompanied this drawing is incorporated herein and made part hereof and is found on Cardinal Systems, Inc's website at www.CardinalSystemsInc.com



**Pool Size:** 16' X 32'  
**Pool Shape:** CELEBRITY **Approx Gal:** 15,807  
**Pool Number:** 1632CELEB – (PLASTIC)


250 Route 61 South, Schuylkill Haven, PA 17972 • 570-385-4733 • fax: 570-385-1318 • CustomerService@CardinalSystemsinc.com

HOPPER DIG POINTS		E-H1		F-H4		H-H1	
POINTS	DISTANCE						
E-F	6'	E-H2	12'-2 1/2"	F-H5	8'-3"	H-H2	19'-7 5/8"
E-G	16'-7 3/4"	E-H3	20'-1 7/8"	F-H6	16'-11 3/8"	H-H3	20'-0 5/8"
E-H	14'-3 7/8"	E-H4	19'-9 3/4"	G-H1	4'	H-H4	19'-6 3/4"
F-G	12'	E-H5	13'-11 3/8"	G-H2	5'-6"	H-H5	21'-8 1/4"
F-H	17'-7 3/4"	E-H6	17'-10 3/8"	G-H3	5'-6"	H-H6	12'-2 1/8"
G-H	20'-4 3/4"	F-H1	6'-9 3/4"	G-H4	5'-6 1/4"		14'-7"
		F-H2	6'-9 7/8"	G-H5	5'-6 1/4"		
		F-H3	16'-6 1/8"	G-H6	11'-8 1/8"		
			16'-3 1/4"		9'-10 1/4"		

PANEL TO HOPPER POINTS		2-H1		3-H4		5-H1	
POINTS	DISTANCE						
1-H1	10'-4 1/8"	2-H2	3'-0 3/8"	3-H5	13'-6 1/8"	5-H2	23'-3 1/4"
1-H2	18'-9 5/8"	2-H3	12'-7 3/4"	3-H6	8'-6"	5-H3	24'-0 1/2"
1-H3	18'-5 7/8"	2-H4	12'-5 1/4"	4-H1	15'-6 1/8"	5-H4	23'-6 5/8"
1-H4	12'-0 1/8"	2-H5	4'-10 1/4"	4-H2	21'-8 7/8"	5-H5	25'-4 1/8"
1-H5	17'-4"	2-H6	14'-3 3/4"	4-H3	20'-1 7/8"	5-H6	16'-0 1/8"
1-H6	5'-3 7/8"	3-H1	3'-3 3/4"	4-H4	19'-7 7/8"		17'-10 7/8"
		3-H2	13'-1 5/8"	4-H5	23'-8 5/8"		
		3-H3	2'-6"	4-H6	11'-6"		
			2'-6 5/8"		17'-4"		

PANEL TO PANEL POINTS		2-I		3-N		4-S	
POINTS	DISTANCE						
1-C1	21'-11 1/8"	2-J	8'-6"	3-O	9'-0 1/8"	4-S1	17'-5 5/8"
1-C2	14'-11 7/8"	2-K	3'-1 7/8"	3-P	3'-6 1/2"	4-T	19'-11 1/8"
1-I	1'-6 1/2"	2-L	3'-4 1/2"	3-Q	8'	5-C1	19'-1 1/4"
1-J	5'-5 3/8"	2-M	8'-10 1/2"	3-R	16'	5-C2	32'-3"
1-K	9'-8 3/8"	2-N	13'-1 5/8"	3-S	26'-10"	5-I	4'
1-L	15'-6 5/8"	2-O	15'-6 3/4"	3-S1	29'-4 7/8"	5-J	18'-4 5/8"
1-M	20'-4 3/8"	2-P	15'-10 1/8"	3-T	23'-7 1/4"	5-K	18'-0 3/4"
1-N	22'-9 5/8"	2-Q	14'-2 5/8"	4-C1	29'-0 7/8"	5-L	24'-6 1/2"
1-O	22'-4 5/8"	2-R	17'-6 7/8"	4-C2	29'-1 1/2"	5-M	29'-7 7/8"
1-P	17'-5 3/8"	2-S	18'-9 1/4"	4-I	8'-11 3/8"	5-N	32'-2 3/8"
1-Q	17'-5 3/8"	2-S1	18'-11"	4-J	19'-10 1/8"	5-O	31'-5 1/2"
1-R	12'-11 7/8"	2-T	10'-0 1/4"	4-K	17'-5 3/8"	5-P	27'-7 5/8"
1-S	12'	3-C1	17'-4 7/8"	4-L	23'-6 1/2"	5-Q	16'-5 7/8"
1-S1	2'-10 1/8"	3-C2	11'-3 3/4"	4-M	27'-11 1/2"	5-R	8'-11 3/8"
1-T	10'-2 3/8"	3-I	25'-3 5/8"	4-N	29'-6 1/2"	5-S	8'
2-C1	14'-7 1/4"	3-J	22'-3 1/2"	4-O	27'-10 7/8"	5-S1	13'
2-C2	19'-7 1/8"	3-K	15'-4 3/4"	4-P	23'-5 1/2"	5-S1	18'-0 3/8"
		3-L	15'-9 3/4"	4-Q	12'	5-T	15'-1 5/8"
		3-M	15'-7 1/4"	4-R	4'		
			13'-2 3/4"		12'-7 3/4"		

BOX POINTS		A-H5		B-H6		D-C1	
POINTS	DISTANCE						
A-B	19'	A-H6	16'-6"	B-S1	17'-6 3/4"	D-C2	32'-11 7/8"
A-C	37'-2 5/8"	A-S1	20'-11 7/8"	C-C1	22'	D-E	8'
A-C1	8'	B-C	29'-0 7/8"	C-C2	33'-10"	D-F	19'-8 5/8"
A-C2	32'-11 7/8"	B-C1	32'	C-D	11'	D-G	23'-3 5/8"
A-D	32'	B-C2	11'	C-E	19'	D-H	25'-3 5/8"
A-E	27'-9 5/8"	B-D	33'-10"	C-F	10'-2 3/8"	D-H1	5'-7 7/8"
A-F	23'-3 5/8"	B-E	37'-2 5/8"	C-G	16'-1 5/8"	D-H2	25'-0 7/8"
A-G	11'-3 3/4"	B-F	22'-1 1/8"	C-H	26'-4 3/4"	D-H3	24'-1 1/2"
A-H	28'-3 3/8"	B-G	16'-1 5/8"	C-H1	15'-6 1/4"	D-H4	23'-7 5/8"
A-H1	16'-7 5/8"	B-H	13'-7 1/4"	C-H2	22'-4 1/8"	D-H5	27'-1 1/4"
A-H2	8'-4 5/8"	B-H1	31'-9 1/8"	C-H3	29'-1 1/2"	D-H6	15'-6"
A-H3	8'-10 3/8"	B-H2	12'-1 3/4"	C-H4	28'-8 5/8"	D-S1	20'-2 5/8"
A-H4	15'-11 3/8"	B-H3	18'-4"	C-H5	24'-1 5/8"		21'-5 5/8"
		B-H4	18'-6 3/4"	C-H6	24'-6 1/4"		
		B-H5	10'-1 1/2"	C-S1	16'-7 1/2"		
			25'-2"		10'		

<b>Date:</b> 5/10/2022	<b>Perimeter:</b> 93'-9 1/2"	 cardinalpools.com
<b>Drawn By:</b> JESSE H	<b>Area:</b> 495.9 SQ. FT.	
<b>Scale:</b> 1/8" = 1'-0"	<b>Notes:</b> - - - -	

This information is the confidential property of Cardinal Systems, Inc. Disclosure or duplication without proper written approval is strictly prohibited. Acceptance and use of this drawing constitutes knowledge and acceptance by the user of the terms and conditions set forth in the notice and warning which accompanied this drawing is incorporated herein and made part hereof and is found on Cardinal Systems, Inc's website at www.CardinalSystemsInc.com



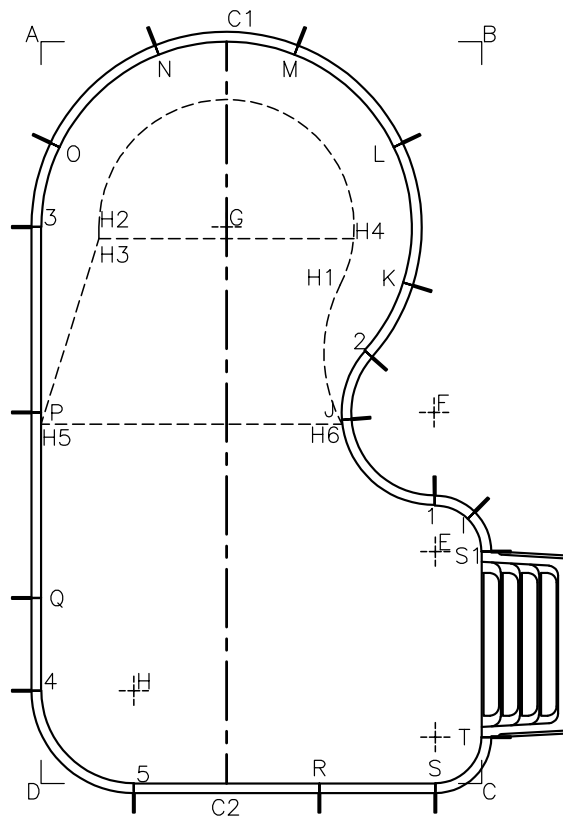
**Pool Size:** 16' X 32'

**Pool Shape:** CELEBRITY

**Approx Gal:** 15,807

**Pool Number:** 1632CELEB – (PLASTIC)

250 Route 61 South, Schuylkill Haven, PA 17972 • 570-385-4733 • fax: 570-385-1318 • CustomerService@CardinalSystemsinc.com



**Date:** 5/10/2022

**Perimeter:** 93'–9 1/2"

**Drawn By:** JESSE H

**Area:** 495.9 SQ. FT.

**Scale:** 1/8" = 1'–0"

**Notes:** – – – –



This information is the confidential property of Cardinal Systems, Inc. Disclosure or duplication without proper written approval is strictly prohibited. Acceptance and use of this drawing constitutes knowledge and acceptance by the user of the terms and conditions set forth in the notice and warning which accompanied this drawing is incorporated herein and made part hereof and is found on Cardinal Systems, Inc's website at [www.CardinalSystemsInc.com](http://www.CardinalSystemsInc.com)



Pool Size: 18' X 36'

Pool Shape: CELEBRITY

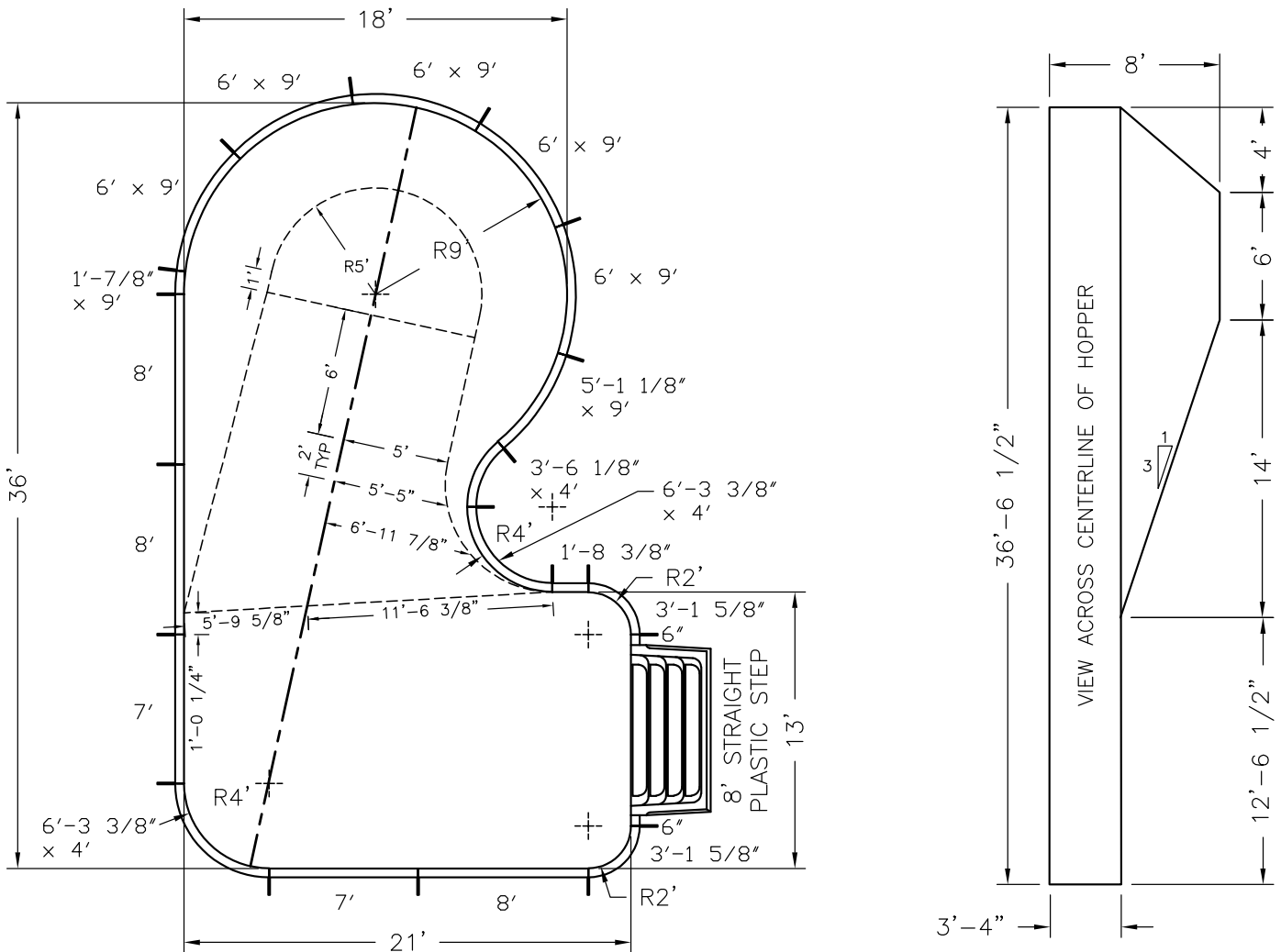
Approx Gal: 22,255

Pool Number: 1836CELEB - (PLASTIC)

250 Route 61 South, Schuylkill Haven, PA 17972 • 570-385-4733 • fax: 570-385-1318 • CustomerService@CardinalSystemsinc.com

### Bill of Materials

PART NO.	QUANTITY	DESCRIPTION
"A" FRAME	19	"A" FRAME ASSEMBLY
5C42315XX02000	2	2' RADIUS CORNER
5C42107XX09000	1	1'-7/8" x 9' Radius C PANEL W/0 Z
5C42511XX09000	1	5'-1 1/8" x 9' Radius C PANEL W/0 Z
5C42600XX09000	5	6' x 9' Radius C PANEL W/0 Z
5C42633XX04000	1	6'-3 3/8" x 4' Radius C PANEL W/0 Z
5R42361XX04000	1	3'-6 1/8" x 4' Radius R PANEL W/0 Z
5R42633XX04000	1	6'-3 3/8" x 4' Radius R PANEL W/0 Z
5S42060XXX0	2	6" Straight PANEL W/0 Z
5S42183XXX0	1	1'-8 3/8" Straight PANEL W/0 Z
5S42700XXX2	2	7' Straight PANEL W/2 Z
5S42800XXX2	3	8' Straight PANEL W/2 Z



<b>Date:</b> 5/10/2022	<b>Perimeter:</b> 107'-2 3/4"
<b>Drawn By:</b> JESSE H	<b>Area:</b> 611.8 SQ. FT.
<b>Scale:</b> 1/8" = 1'-0"	<b>Notes:</b> -----



This information is the confidential property of Cardinal Systems, Inc. Disclosure or duplication without proper written approval is strictly prohibited. Acceptance and use of this drawing constitutes knowledge and acceptance by the user of the terms and conditions set forth in the notice and warning which accompanied this drawing is incorporated herein and made part hereof and is found on Cardinal Systems, Inc's website at www.CardinalSystemsInc.com



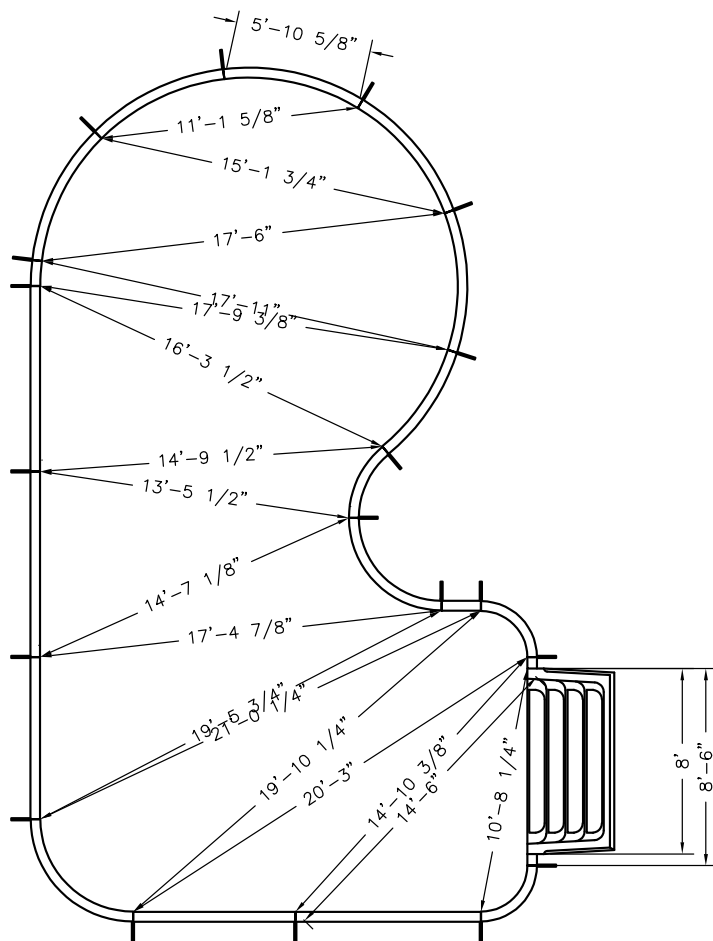
**Pool Size:** 18' X 36'

**Pool Shape:** CELEBRITY

**Approx Gal:** 22,255

**Pool Number:** 1836CELEB – (PLASTIC)

250 Route 61 South, Schuylkill Haven, PA 17972 • 570-385-4733 • fax: 570-385-1318 • CustomerService@CardinalSystemsinc.com



**Date:** 5/10/2022

**Perimeter:** 107'-2 3/4"

**Drawn By:** JESSE H

**Area:** 611.8 SQ. FT.

**Scale:** 1/8" = 1'-0"

**Notes:** - - - -



cardinalpools.com

This information is the confidential property of Cardinal Systems, Inc. Disclosure or duplication without proper written approval is strictly prohibited. Acceptance and use of this drawing constitutes knowledge and acceptance by the user of the terms and conditions set forth in the notice and warning which accompanied this drawing is incorporated herein and made part hereof and is found on Cardinal Systems, Inc's website at www.CardinalSystemsInc.com



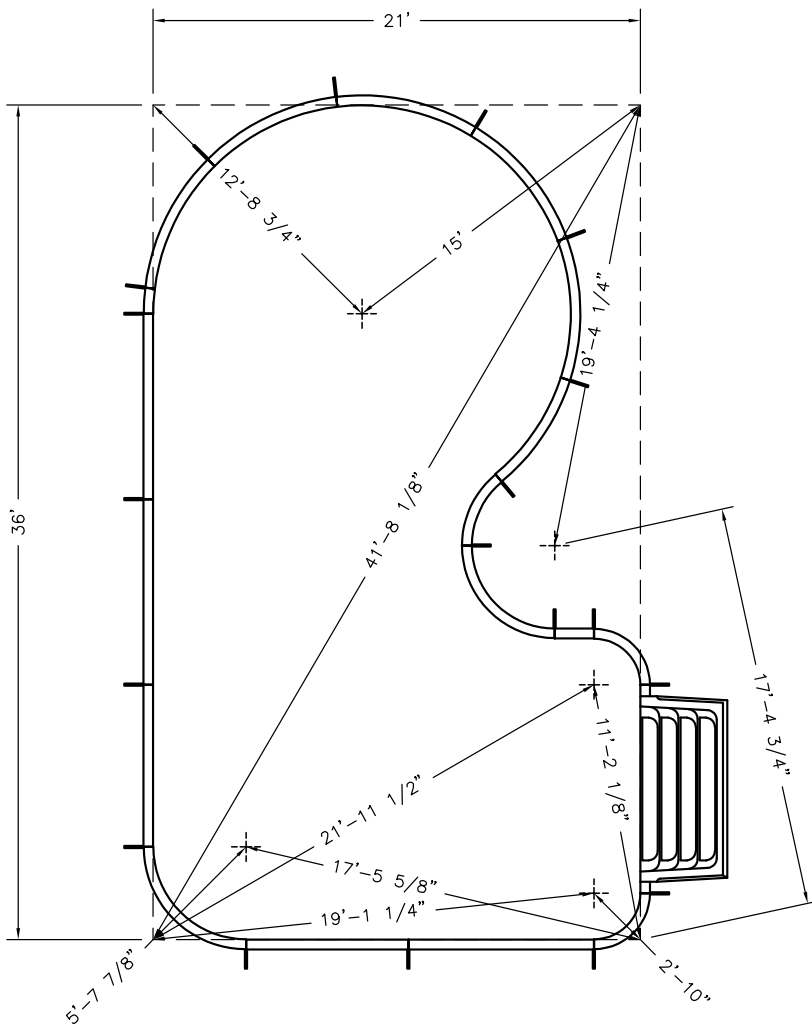
**Pool Size:** 18' X 36'

**Pool Shape:** CELEBRITY

**Pool Number:** 1836CELEB – (PLASTIC)

**Approx Gal:** 22,255

250 Route 61 South, Schuylkill Haven, PA 17972 • 570-385-4733 • fax: 570-385-1318 • CustomerService@CardinalSystemsinc.com



**Date:** 5/10/2022

**Drawn By:** JESSE H

**Scale:** 1/8" = 1'-0"

**Perimeter:** 107'-2 3/4"

**Area:** 611.8 SQ. FT.

**Notes:** -----



cardinalpools.com

This information is the confidential property of Cardinal Systems, Inc. Disclosure or duplication without proper written approval is strictly prohibited. Acceptance and use of this drawing constitutes knowledge and acceptance by the user of the terms and conditions set forth in the notice and warning which accompanied this drawing is incorporated herein and made part hereof and is found on Cardinal Systems, Inc's website at www.CardinalSystemsInc.com





**Pool Size:** 18' X 36'  
**Pool Shape:** CELEBRITY **Approx Gal:** 22,255  
**Pool Number:** 1836CELEB – (PLASTIC)

250 Route 61 South, Schuylkill Haven, PA 17972 • 570-385-4733 • fax: 570-385-1318 • CustomerService@CardinalSystemsinc.com

HOPPER DIG POINTS		E-H2	17'-2 5/8"	F-H2	5'	G-H2	24'-0 7/8"
POINTS	DISTANCE	E-H3	8'-9"	F-H3	5'-1 1/4"	G-H3	23'-1"
E-F	13'	E-H4	16'-9 3/8"	F-H4	5'-1 1/4"	G-H4	23'-1 1/8"
E-G	18'-7 1/4"	E-H5	18'-0 1/8"	F-H5	17'-5 3/4"	G-H5	8'-11 1/2"
F-G	23'-6 1/2"	E-H6	4'	F-H6	16'-3 3/8"	G-H6	16'-0 3/4"
E-H1	9'-6 3/4"	E-H7	5'-4 1/8"	F-H7	8'-7 1/4"	G-H7	17'-3 1/4"
		F-H1	5'	G-H1	24'-0 5/8"		
PANEL TO HOPPER POINTS		2-H1	5'-11"	3-H4	3'-10 7/8"	4-H7	19'-6 3/8"
POINTS	DISTANCE	2-H2	13'-3 5/8"	3-H5	14'-11 3/4"	5-H1	27'-9"
1-H1	13'-4 1/2"	2-H3	5'	3-H6	22'-3 1/8"	5-H2	28'-0 7/8"
1-H2	20'-0 3/8"	2-H4	12'-11"	3-H7	14'-8 3/8"	5-H3	26'-9 1/8"
1-H3	12'-6"	2-H5	16'-9 3/4"	4-H1	25'-11 1/2"	5-H4	27'-1 1/8"
1-H4	19'-5 3/8"	2-H6	7'-6 1/4"	4-H2	24'-5"	5-H5	12'-8"
1-H5	17'-4"	2-H7	2'-6 3/4"	4-H3	25'-0 1/4"	5-H6	18'-7 1/4"
1-H6	0"	3-H1	13'-11 1/8"	4-H4	23'-5"	5-H7	20'-10 1/4"
1-H7	7'-10"	3-H2	4'-3"	4-H5	8'-0 1/4"		
		3-H3	13'-9 7/8"	4-H6	19'-6 1/8"		
PANEL TO PANEL POINTS		2-I	8'-3"	3-P	6'-10 3/4"	4-S2	21'-0 5/8"
POINTS	DISTANCE	2-J	3'-4 3/4"	3-Q	1'-0 7/8"	4-T	19'-5"
1-C1	23'-8"	2-K	5'-0 3/8"	3-R	8'	4-U	21'-1 1/8"
1-C2	19'-2 1/8"	2-L	10'-4 7/8"	3-S	16'	5-C1	36'-5 1/2"
1-H	4'-2 3/8"	2-M	14'-7 3/4"	3-S	29'-1 7/8"	5-C2	10 5/8"
1-I	1'-8 3/8"	2-N	17'-3 1/8"	3-S1	26'-8 1/2"	5-H	20'-3"
1-J	5'-7 7/8"	2-O	17'-11 3/4"	3-S2	32'-3 1/4"	5-I	19'-10 1/4"
1-K	11'-3"	2-P	16'-8 5/8"	3-T	33'-0 1/8"	5-J	19'-4 5/8"
1-L	17'-1 5/8"	2-Q	14'-9 1/2"	3-U	32'-7 3/4"	5-K	27'-9 3/8"
1-M	21'-11 3/4"	2-R	17'-3 7/8"	4-C1	33'-7 3/8"	5-L	32'-11 7/8"
1-N	24'-9 3/8"	2-S	20'-5 1/8"	4-C2	5'	5-M	36'-0 1/8"
1-O	25'-1 1/4"	2-S1	11'-5 1/4"	4-H	22'-1 5/8"	5-N	36'-1 7/8"
1-P	22'-10 7/8"	2-S2	18'-7 7/8"	4-I	21'-0 1/4"	5-O	33'-4 3/4"
1-Q	18'-3 3/4"	2-T	20'-6 1/4"	4-J	18'-7 1/4"	5-P	28'-4 1/8"
1-R	17'-5"	2-U	19'-1 1/2"	4-K	26'-9 5/8"	5-Q	19'-5"
1-S	14'-5 3/8"	3-C1	14'-0 1/4"	4-L	31'-5"	5-R	11'-8 1/2"
1-S1	4'-5 1/2"	3-C2	27'-1"	4-M	33'-7 1/8"	5-S	7'
1-S2	11'-1 5/8"	3-H	26'-4 3/4"	4-N	32'-0 7/8"	5-S1	19'-11 3/4"
1-T	13'-1 3/8"	3-I	23'-7 1/4"	4-O	29'-5 7/8"	5-S2	17'-2 1/4"
1-U	11'-7 1/4"	3-J	16'-7 3/4"	4-P	24'-0 7/8"	5-T	15'
2-C1	16'-2 1/8"	3-K	17'-9 3/8"	4-Q	15'	5-U	17'-1 3/8"
2-C2	23'-1 3/8"	3-L	17'-8 5/8"	4-R	7'		
2-H	11'-0 1/4"	3-M	15'-8 3/8"	4-S	11'-8 1/2"		
		3-N	11'-11 1/2"	4-S1	21'-11 3/4"		
BOX POINTS		A-H7	20'-11 1/2"	B-S1	25'-6"	D-C1	37'-5"
POINTS	DISTANCE	A-S1	33'-0 3/8"	B-S2	33'-6"	D-C2	3'-1 1/2"
A-B	21'	A-S2	39'-6 1/2"	C-C1	37'-2 1/4"	D-E	24'-3 1/8"
A-C	41'-8 1/8"	B-C	36'	C-C2	17'-10 5/8"	D-F	28'-5 1/2"
A-C1	10'-11 1/8"	B-C1	10'-1"	C-D	21'	D-G	5'-7 7/8"
A-C2	36'-0 1/2"	B-C2	40'-1 1/4"	C-E	17'-4 3/4"	D-H1	29'-5"
A-D	36'	B-D	41'-8 1/8"	C-F	29'-6 1/2"	D-H2	28'-4 3/8"
A-E	25'-8 3/8"	B-E	19'-4 1/4"	C-G	17'-5 5/8"	D-H3	28'-5 1/2"
A-F	12'-8 3/4"	B-F	15'	C-H1	26'-10 5/8"	D-H4	27'-4 1/2"
A-G	32'-3"	B-G	36'-2 7/8"	C-H2	32'-9"	D-H5	12'-0 1/4"
A-H1	17'-1 3/4"	B-H1	12'-4"	C-H3	26'-0 1/8"	D-H6	21'-7 3/4"
A-H2	8'-11 1/4"	B-H2	18'-7 7/8"	C-H4	32'-0 3/8"	D-H7	22'-9 1/8"
A-H3	17'-6 7/8"	B-H3	13'-3 1/8"	C-H5	24'-2 3/8"	D-S1	23'-5 3/4"
A-H4	9'-8 3/4"	B-H4	19'-3 3/8"	C-H6	13'-6 1/8"	D-S2	21'-1 3/4"
A-H5	23'-11 3/4"	B-H5	31'-10 1/2"	C-H7	20'-11 3/8"		
A-H6	28'-9 3/8"	B-H6	23'-3 1/2"	C-S1	10'-6"		
		B-H7	18'-11 5/8"	C-S2	2'-6"		

**Date:** 5/10/2022

**Perimeter:** 107'-2 3/4"

**Drawn By:** JESSE H

**Area:** 611.8 SQ. FT.

**Scale:** 1/8" = 1'-0"

**Notes:** - - - -



cardinalpools.com

This information is the confidential property of Cardinal Systems, Inc. Disclosure or duplication without proper written approval is strictly prohibited. Acceptance and use of this drawing constitutes knowledge and acceptance by the user of the terms and conditions set forth in the notice and warning which accompanied this drawing is incorporated herein and made part hereof and is found on Cardinal Systems, Inc's website at [www.CardinalSystemsInc.com](http://www.CardinalSystemsInc.com)



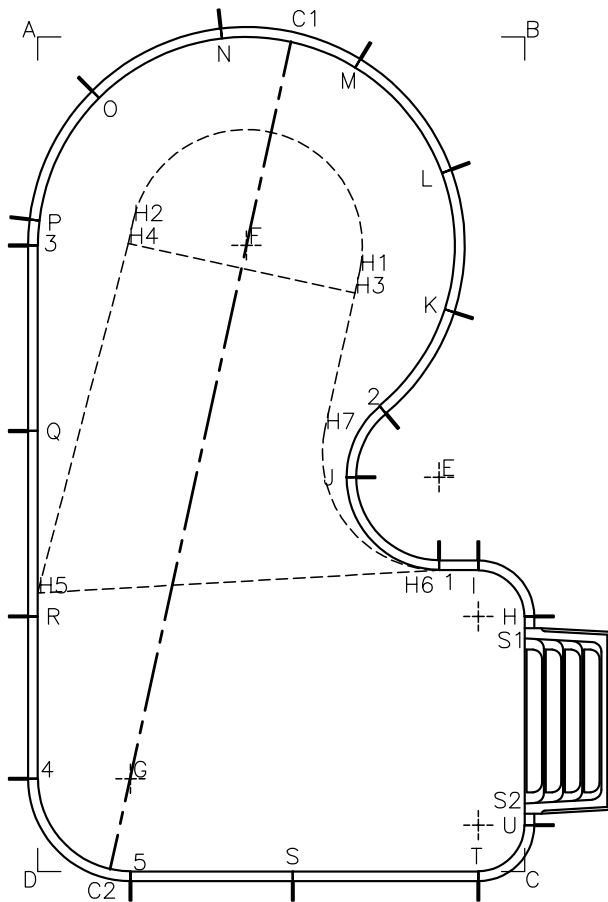
**Pool Size:** 18' X 36'

**Pool Shape:** CELEBRITY

**Pool Number:** 1836CELEB – (PLASTIC)

**Approx Gal:** 22,255

250 Route 61 South, Schuylkill Haven, PA 17972 • 570-385-4733 • fax: 570-385-1318 • CustomerService@CardinalSystemsinc.com



**Date:** 5/10/2022

**Drawn By:** JESSE H

**Scale:** 1/8" = 1'-0"

**Perimeter:** 107'-2 3/4"

**Area:** 611.8 SQ. FT.

**Notes:** -----



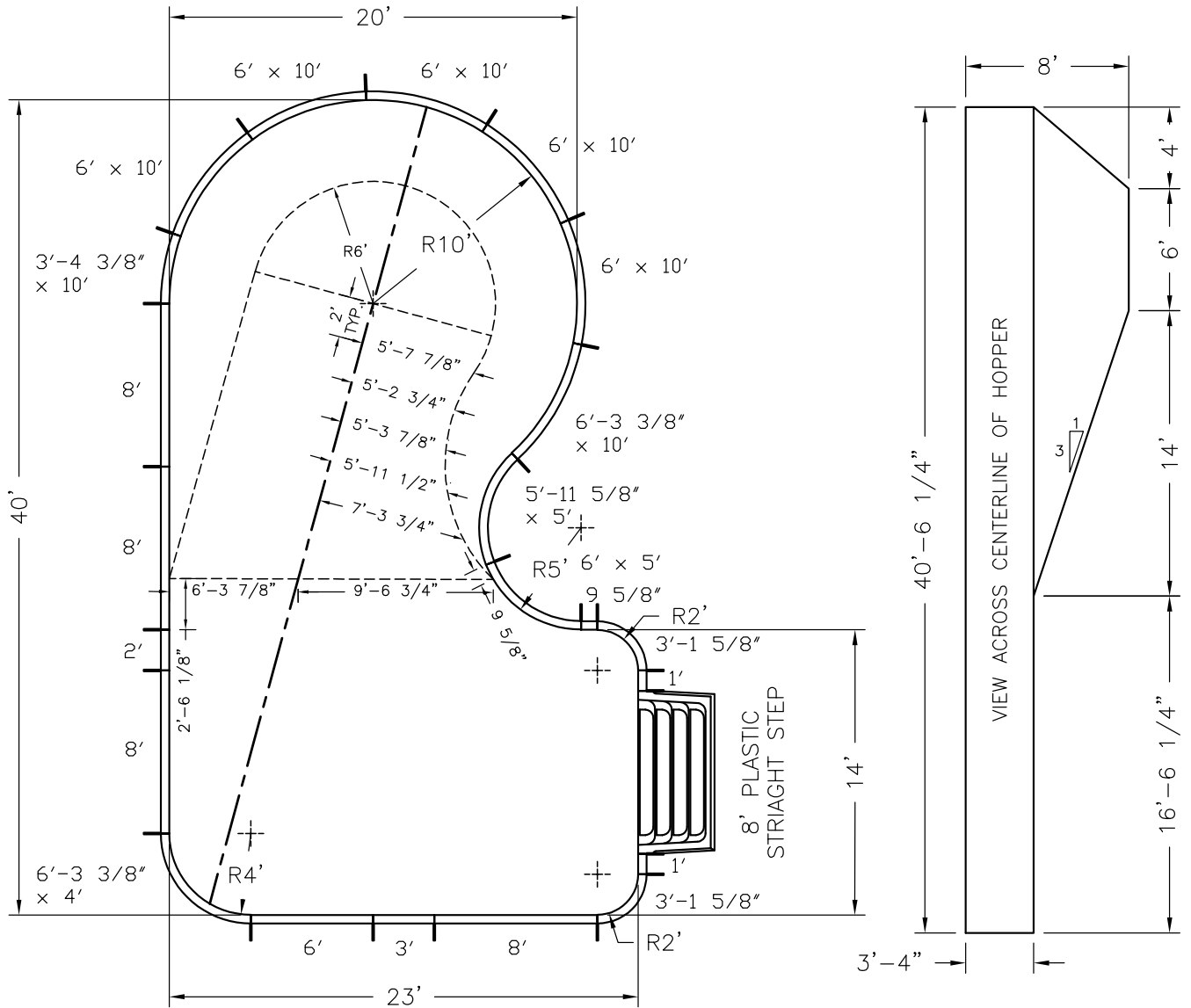
cardinalpools.com

This information is the confidential property of Cardinal Systems, Inc. Disclosure or duplication without proper written approval is strictly prohibited. Acceptance and use of this drawing constitutes knowledge and acceptance by the user of the terms and conditions set forth in the notice and warning which accompanied this drawing is incorporated herein and made part hereof and is found on Cardinal Systems, Inc's website at www.CardinalSystemsInc.com



**Pool Size:** 20' X 40'  
**Pool Shape:** CELEBRITY **Approx Gal:** 27,362  
**Pool Number:** 2040CELEB – (PLASTIC)

250 Route 61 South, Schuylkill Haven, PA 17972 • 570-385-4733 • fax: 570-385-1318 • CustomerService@CardinalSystemsinc.com



<b>Date:</b> 5/10/2022	<b>Perimeter:</b> 117'-11 7/8"	
<b>Drawn By:</b> JESSE H	<b>Area:</b> 752.2 SQ. FT.	
<b>Scale:</b> 1/8" = 1'-0"	<b>Notes:</b> - - - -	

This information is the confidential property of Cardinal Systems, Inc. Disclosure or duplication without proper written approval is strictly prohibited. Acceptance and use of this drawing constitutes knowledge and acceptance by the user of the terms and conditions set forth in the notice and warning which accompanied this drawing is incorporated herein and made part hereof and is found on Cardinal Systems, Inc's website at www.CardinalSystemsInc.com



**Pool Size:** 20' X 40'

**Pool Shape:** CELEBRITY

**Approx Gal:** 27,362

**Pool Number:** 2040CELEB – (PLASTIC)

250 Route 61 South, Schuylkill Haven, PA 17972 • 570-385-4733 • fax: 570-385-1318 • CustomerService@CardinalSystemsinc.com

### Bill of Materials

PART NO.	QUANTITY	DESCRIPTION
"A" FRAME	23	"A" FRAME ASSEMBLY
5C42315XX02000	2	2' RADIUS CORNER
5C42343XX10000	1	3'-4 3/8" x 10' Radius C PANEL W/0 Z
5C42600XX10000	5	6' x 10' Radius C PANEL W/0 Z
5C42633XX04000	1	6'-3 3/8" x 4' Radius C PANEL W/0 Z
5C42633XX10000	1	6'-3 3/8" x 10' Radius C PANEL W/0 Z
5R425E5XX05000	1	5'-11 5/8" x 5' Radius R PANEL W/0 Z
5R42600XX05000	1	6' x 5' Radius R PANEL W/0 Z
5S42095XXX0	1	9 5/8" Straight PANEL W/0 Z
5S42100XXX0	2	1' Straight PANEL W/0 Z
5S42200XXX0	1	2' Straight PANEL W/0 Z
5S42300XXX0	1	3' Straight PANEL W/0 Z
5S42600XXX1	1	6' Straight PANEL W/1 Z
5S42800XXX2	4	8' Straight PANEL W/2 Z

**Date:** 5/10/2022

**Perimeter:** 117'-11 7/8"

**Drawn By:** JESSE H

**Area:** 752.2 SQ. FT.

**Scale:** 1/8" = 1'-0"

**Notes:** -----



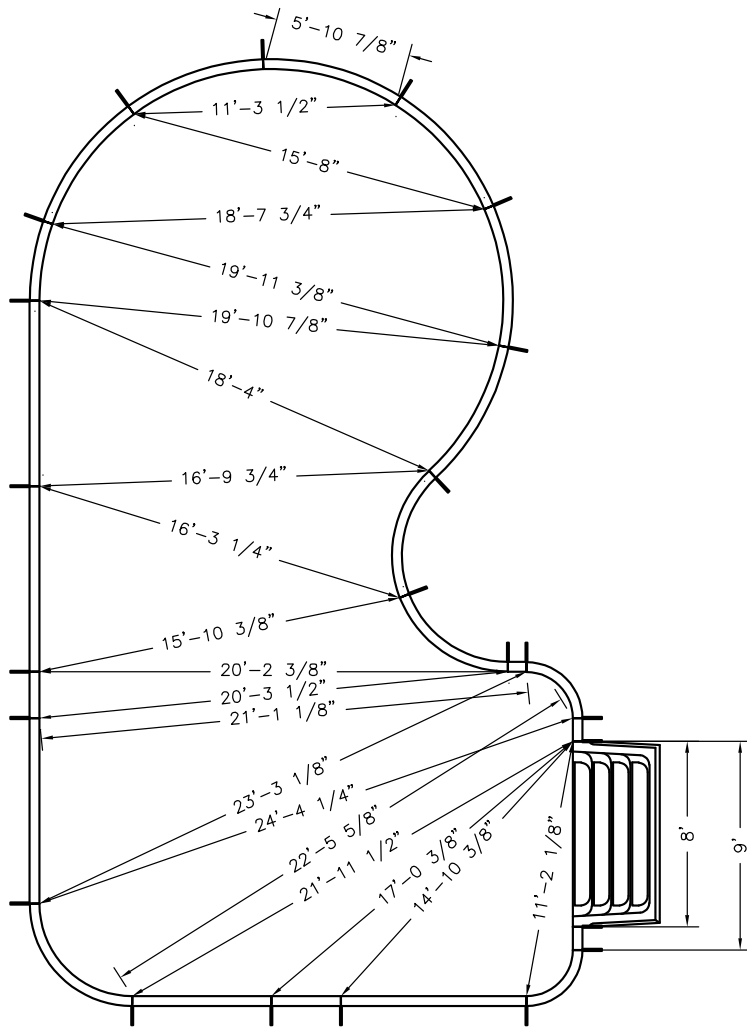
cardinalpools.com

This information is the confidential property of Cardinal Systems, Inc. Disclosure or duplication without proper written approval is strictly prohibited. Acceptance and use of this drawing constitutes knowledge and acceptance by the user of the terms and conditions set forth in the notice and warning which accompanied this drawing is incorporated herein and made part hereof and is found on Cardinal Systems, Inc's website at www.CardinalSystemsInc.com



**Pool Size:** 20' X 40'  
**Pool Shape:** CELEBRITY **Approx Gal:** 27,362  
**Pool Number:** 2040CELEB – (PLASTIC)

250 Route 61 South, Schuylkill Haven, PA 17972 • 570-385-4733 • fax: 570-385-1318 • CustomerService@CardinalSystemsinc.com



**Date:** 5/10/2022

**Perimeter:** 117'-11 7/8"

**Drawn By:** JESSE H

**Area:** 752.2 SQ. FT.

**Scale:** 1/8" = 1'-0"

**Notes:** - - - -



cardinalpools.com

This information is the confidential property of Cardinal Systems, Inc. Disclosure or duplication without proper written approval is strictly prohibited. Acceptance and use of this drawing constitutes knowledge and acceptance by the user of the terms and conditions set forth in the notice and warning which accompanied this drawing is incorporated herein and made part hereof and is found on Cardinal Systems, Inc's website at www.CardinalSystemsInc.com



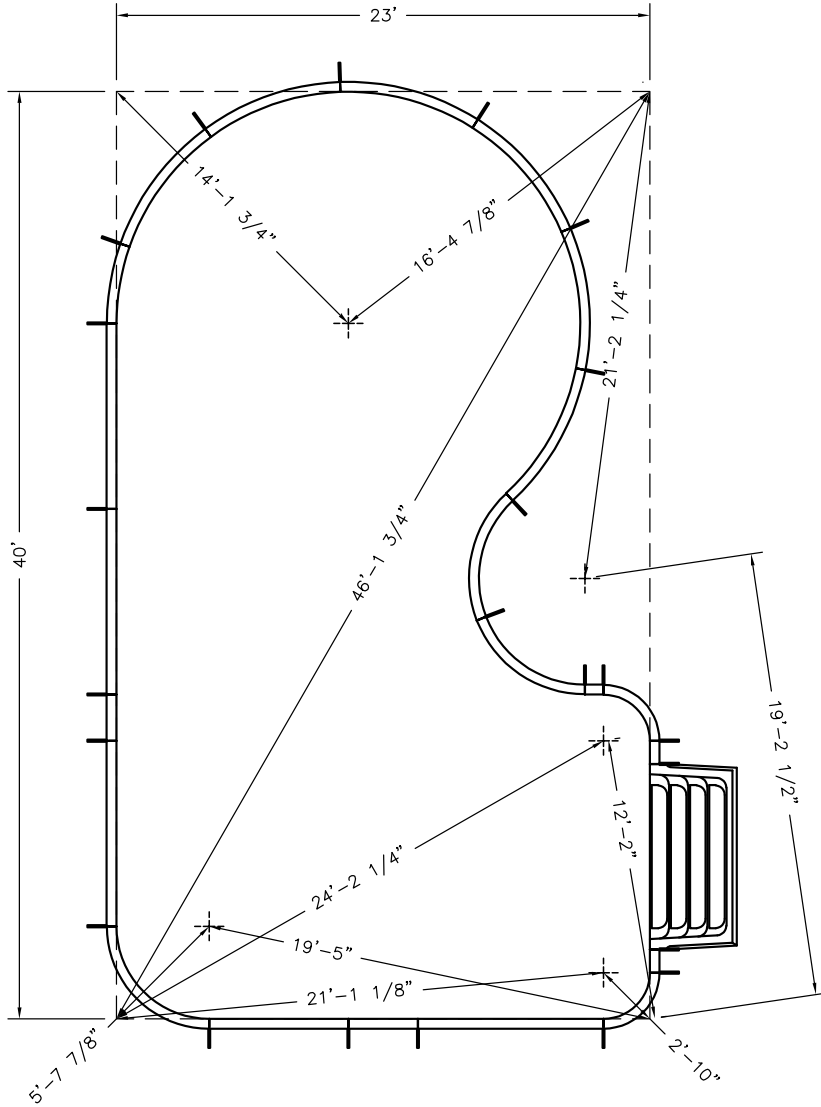
**Pool Size:** 20' X 40'

**Pool Shape:** CELEBRITY

**Pool Number:** 2040CELEB – (PLASTIC)

**Approx Gal:** 27,362

250 Route 61 South, Schuylkill Haven, PA 17972 • 570-385-4733 • fax: 570-385-1318 • CustomerService@CardinalSystemsinc.com



**Date:** 5/10/2022

**Drawn By:** JESSE H

**Scale:** 1/8" = 1'-0"

**Perimeter:** 117'-11 7/8"

**Area:** 752.2 SQ. FT.

**Notes:** -----



cardinalpools.com

This information is the confidential property of Cardinal Systems, Inc. Disclosure or duplication without proper written approval is strictly prohibited. Acceptance and use of this drawing constitutes knowledge and acceptance by the user of the terms and conditions set forth in the notice and warning which accompanied this drawing is incorporated herein and made part hereof and is found on Cardinal Systems, Inc's website at www.CardinalSystemsInc.com



**Pool Size:** 20' X 40'  
**Pool Shape:** CELEBRITY **Approx Gal:** 27,362  
**Pool Number:** 2040CELEB – (PLASTIC)

250 Route 61 South, Schuylkill Haven, PA 17972 • 570-385-4733 • fax: 570-385-1318 • CustomerService@CardinalSystemsinc.com

HOPPER DIG POINTS		E-H1	9'-2 3/4"	F-H2	6'	G-H3	27'-1 1/2"
POINTS	DISTANCE	E-H2	20'-4 1/8"	F-H3	6'	G-H4	13'-1 5/8"
		E-H3	10'-4 7/8"	F-H4	16'-9 1/2"	G-H5	17'-2 3/4"
E-F	15'	E-H4	20'-4 1/4"	F-H5	14'-9 1/8"		
E-G	22'-0 7/8"	E-H5	5'	G-H1	25'-1 1/8"		
F-G	26'-8 1/4"	F-H1	6'	G-H2	27'-6 7/8"		
PANEL TO HOPPER POINTS		1-H5	4'-11 5/8"	3-H2	4'-6"	4-H4	12'-6 1/8"
POINTS	DISTANCE	2-H1	4'-4 1/8"	3-H3	15'-10 3/8"	4-H5	20'-2 3/8"
		2-H2	15'-5 1/8"	3-H4	13'-5 7/8"	5-H1	28'-8 7/8"
1-H1	13'-7 3/4"	2-H3	5'-10 1/8"	3-H5	20'-10 1/2"	5-H2	31'-6 7/8"
1-H2	23'-9 1/8"	2-H4	17'-10 3/4"	4-H1	27'-0 7/8"	5-H3	30'-9 1/4"
1-H3	15'-1"	2-H5	6'-3 1/4"	4-H2	27'-10 3/4"	5-H4	16'-11 7/8"
1-H4	20'-4 1/4"	3-H1	15'-3 7/8"	4-H3	29'-1"	5-H5	20'-3 3/4"
PANEL TO PANEL POINTS		2-I	9'-7 5/8"	3-Q	9'-0 3/8"	4-S2	23'-0 1/4"
POINTS	DISTANCE	2-J	5'-7 1/2"	3-P	3'-4 1/4"	4-T	10'-9 1/4"
		2-K	6'-2 1/8"	3-Q	8'	4-U	13'-7 1/4"
1-C1	26'-8 7/8"	2-L	11'-6 1/4"	3-R	16'	4-V	21'-4 1/2"
1-C2	22'-7 3/4"	2-M	15'-10 1/8"	3-S	18'	4-W	23'-1"
1-H	3'-5 1/4"	2-N	18'-8 7/8"	3-S1	29'-10"	5-C1	40'-6 7/8"
1-I	9 5/8"	2-O	19'-11 5/8"	3-S2	35'-5 5/8"	5-C2	2'-1 1/8"
1-J	5'-7 3/4"	2-P	19'-4 7/8"	3-T	31'-7 1/2"	5-H	22'-5 5/8"
1-K	14'-0 3/4"	2-Q	16'-9 3/4"	3-U	32'-8 3/8"	5-I	22'-0 1/4"
1-L	19'-11 5/8"	2-R	18'-10 7/8"	3-V	36'-7 3/8"	5-J	20'-8 3/8"
1-M	24'-11"	2-S	19'-10 3/4"	3-W	36'-2 7/8"	5-K	32'-2 1/2"
1-N	28'-0 5/8"	2-S1	13'-2 1/2"	4-C1	37'-9 7/8"	5-L	37'-2 1/4"
1-O	28'-11 1/2"	2-S2	20'-7 1/2"	4-C2	37'-11 3/4"	5-M	40'-1"
1-P	27'-6 3/8"	2-T	23'-8"	4-H	24'-4 1/4"	5-N	40'-4 3/4"
1-Q	21'-8 3/4"	2-U	22'-11 3/4"	4-I	23'-3 1/8"	5-O	38'-0 5/8"
1-R	20'-2 3/8"	2-V	23'-0 5/8"	4-J	20'-4 5/8"	5-P	33'-5 3/4"
1-S	20'-3 1/2"	2-W	21'-6 7/8"	4-K	31'-2"	5-Q	22'-4 3/8"
1-S1	4'-1 1/4"	3-C1	15'-10 3/4"	4-L	35'-6 3/4"	5-R	14'-6 3/4"
1-S2	11'-4 1/4"	3-C2	29'-6 1/4"	4-M	37'-8 1/2"	5-S	12'-7 3/4"
1-T	17'-3 7/8"	3-H	29'-2 1/2"	4-N	37'-3 1/4"	5-S1	21'-11 1/2"
1-U	15'-8 7/8"	3-I	26'-4 3/4"	4-O	34'-3 5/8"	5-S2	19'-2 7/8"
1-V	14'-0 1/4"	3-J	20'-1 5/8"	4-P	29'-3 3/4"	5-T	6'
1-W	12'-3 7/8"	3-K	19'-10 7/8"	4-Q	18'	5-U	9'
2-C1	17'-5 7/8"	3-L	19'-7 1/8"	4-R	10'	5-V	17'
2-C2	26'-7 1/2"	3-M	17'-6 3/8"	4-S	8'	5-W	19'-1 1/4"
2-H	12'-4"	3-N	13'-10 3/4"	4-S1	24'-0 1/2"		
BOX POINTS		A-H5	28'-4 3/4"	B-S1	29'	D-C1	41'-7 3/8"
POINTS	DISTANCE	A-S1	37'-0 1/8"	B-S2	37'	D-C2	2'-0 5/8"
		A-S2	43'-6 3/4"	C-C1	40'-11 3/4"	D-E	27'-8 3/4"
A-B	23'	B-C	40'	C-C2	21'-0 3/8"	D-F	31'-7 1/2"
A-C	46'-1 3/4"	B-C1	10'-4 1/2"	C-D	23'	D-G	5'-7 7/8"
A-C1	12'-7 5/8"	B-C2	44'-8 3/8"	C-E	19'-2 1/2"	D-H1	30'-5 7/8"
A-C2	39'-6"	B-D	46'-1 3/4"	C-F	32'-8 3/8"	D-H2	31'-10 1/4"
A-D	40'	B-E	21'-2 1/4"	C-G	19'-5"	D-H3	32'-6 1/8"
A-E	29'-1 5/8"	B-F	16'-4 7/8"	C-H1	27'-9 3/8"	D-H4	16'-6 1/8"
A-F	14'-1 3/4"	B-G	40'-8 1/2"	C-H2	36'-8 7/8"	D-H5	22'-10 5/8"
A-G	36'-2 5/8"	B-H1	15'-7 7/8"	C-H3	29'-3 7/8"	D-S1	25'-6"
A-H1	20'-0 7/8"	B-H2	20'-7 1/8"	C-H4	28'-3 3/4"	D-S2	23'-2 3/8"
A-H2	9'-5"	B-H3	13'-7 5/8"	C-H5	17'-11 1/4"		
A-H3	19'-7"	B-H4	32'-10 1/2"	C-S1	11'		
A-H4	23'-5 7/8"	B-H5	24'-7"	C-S2	3'		

**Date:** 5/10/2022

**Perimeter:** 117'-11 7/8"

**Drawn By:** JESSE H

**Area:** 752.2 SQ. FT.

**Scale:** 1/8" = 1'-0"

**Notes:** - - - -



cardinalpools.com

This information is the confidential property of Cardinal Systems, Inc. Disclosure or duplication without proper written approval is strictly prohibited. Acceptance and use of this drawing constitutes knowledge and acceptance by the user of the terms and conditions set forth in the notice and warning which accompanied this drawing is incorporated herein and made part hereof and is found on Cardinal Systems, Inc's website at www.CardinalSystemsInc.com



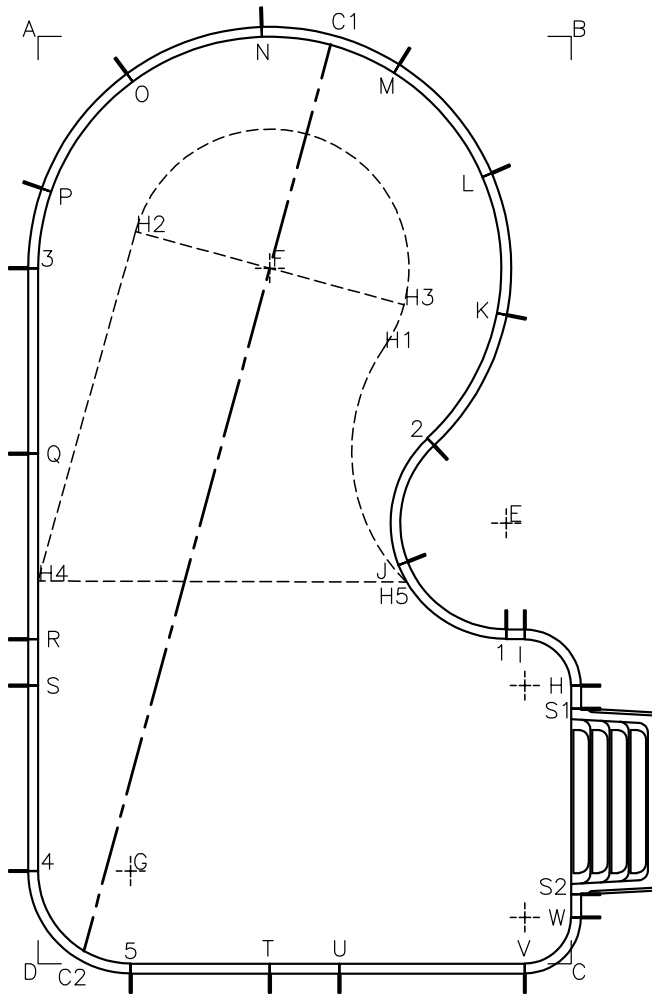
**Pool Size:** 20' X 40'

**Pool Shape:** CELEBRITY

**Pool Number:** 2040CELEB – (PLASTIC)

**Approx Gal:** 27,362

250 Route 61 South, Schuylkill Haven, PA 17972 • 570-385-4733 • fax: 570-385-1318 • CustomerService@CardinalSystemsinc.com



**Date:** 5/10/2022

**Drawn By:** JESSE H

**Scale:** 1/8" = 1'-0"

**Perimeter:** 117'-11 7/8"

**Area:** 752.2 SQ. FT.

**Notes:** -----



cardinalpools.com

This information is the confidential property of Cardinal Systems, Inc. Disclosure or duplication without proper written approval is strictly prohibited. Acceptance and use of this drawing constitutes knowledge and acceptance by the user of the terms and conditions set forth in the notice and warning which accompanied this drawing is incorporated herein and made part hereof and is found on Cardinal Systems, Inc's website at www.CardinalSystemsInc.com

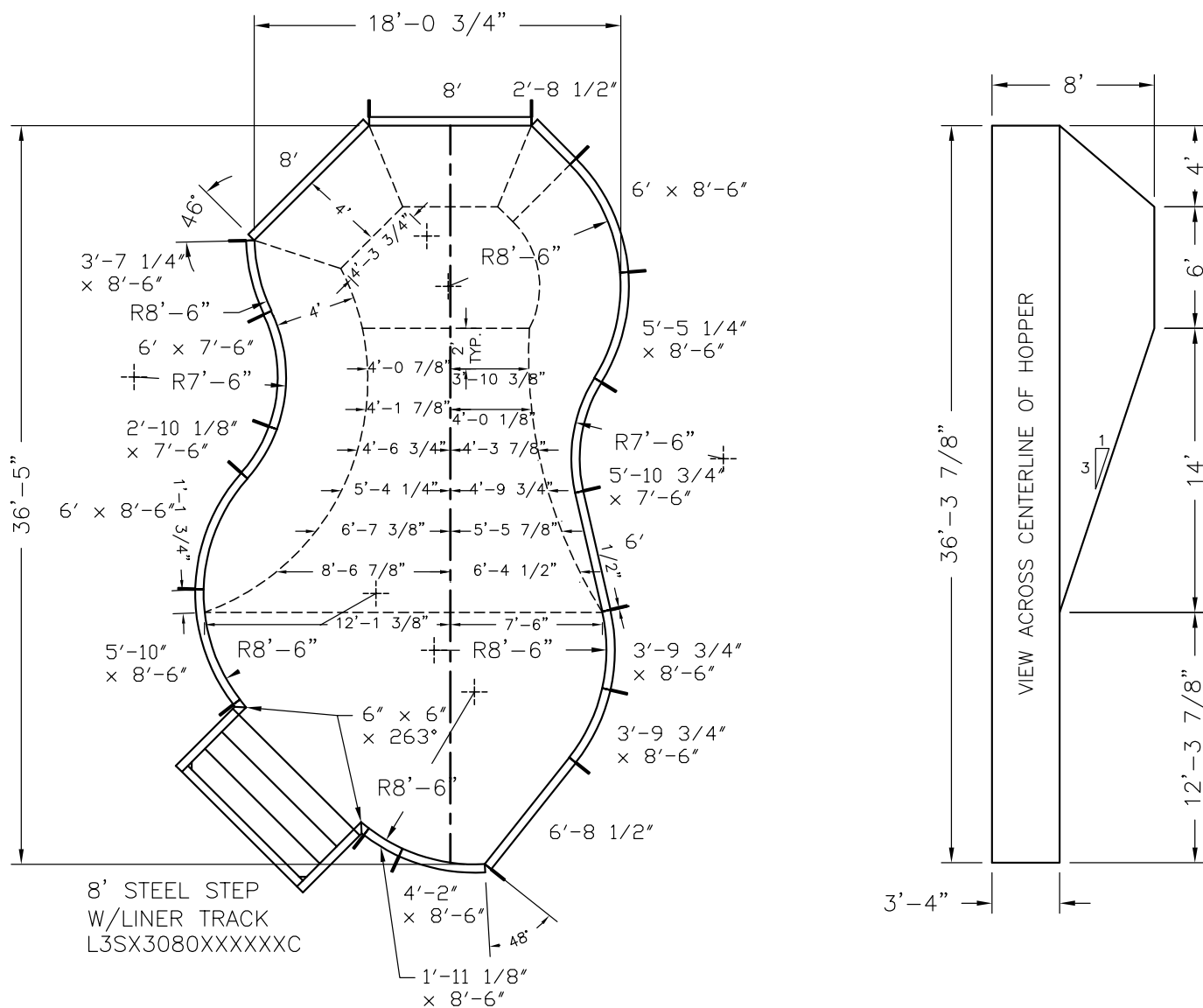



# MOUNTAIN LAKE



**Pool Size:** 18' X 36'  
**Pool Shape:** MOUNTAIN LAKE **Approx Gal:** 21,553  
**Pool Number:** 1836MTLK – (STEEL)

250 Route 61 South, Schuylkill Haven, PA 17972 • 570-385-4733 • fax: 570-385-1318 • CustomerService@CardinalSystemsinc.com



<b>Date:</b> 5/10/2022	<b>Perimeter:</b> 103'-10 1/2"	 <small>cardinalpools.com</small>
<b>Drawn By:</b> JESSE H	<b>Area:</b> 589.0 SQ. FT.	
<b>Scale:</b> 1/8" = 1'-0"	<b>Notes:</b> -----	

This information is the confidential property of Cardinal Systems, Inc. Disclosure or duplication without proper written approval is strictly prohibited. Acceptance and use of this drawing constitutes knowledge and acceptance by the user of the terms and conditions set forth in the notice and warning which accompanied this drawing is incorporated herein and made part hereof and is found on Cardinal Systems, Inc's website at www.CardinalSystemsInc.com




**Pool Size:** 18' X 36'  
**Pool Shape:** MOUNTAIN LAKE **Approx Gal:** 21,553  
**Pool Number:** 1836MTLK – (STEEL)

250 Route 61 South, Schuylkill Haven, PA 17972 • 570-385-4733 • fax: 570-385-1318 • CustomerService@CardinalSystemsinc.com

### Bill of Materials

PART NO.	QUANTITY	DESCRIPTION
"A" FRAME	18	"A" FRAME ASSEMBLY
CS901GC	2	GRECIAN CORNER ANGLE
CS930WW-46	1	46° CORNER ANGLE
CS930WW-48	1	48° CORNER ANGLE
L3SX3080XXXXXC	1	8' STEEL STEP W/LINER TRACK
5C42396XX08600	2	3'-9 3/4" x 8'-6" Radius C PANEL W/0 Z
5C42552XX08600	1	5'-5 1/4" x 8'-6" Radius C PANEL W/0 Z
5C42600XX08600	2	6' x 8'-6" Radius C PANEL W/0 Z
5C421E1XX08600	1	1'-11 1/8" x 8'-6" Radius C PANEL W/0 Z
5C42372XX08600	1	3'-7 1/4" x 8'-6" Radius C PANEL W/0 Z
5C42420XX08600	1	4'-2" x 8'-6" Radius C PANEL W/0 Z
5C425T0XX08600	1	5'-10" x 8'-6" Radius C PANEL W/0 Z
5R422T1XX07600	1	2'-10 1/8" x 7'-6" Radius R PANEL W/0 Z
5R425T6XX07600	1	5'-10 3/4" x 7'-6" Radius R PANEL W/0 Z
5R42600XX07600	1	6' x 7'-6" Radius R PANEL W/0 Z
5S42284XXX0	1	2'-8 1/2" Straight PANEL W/0 Z
5S42600XXX1	1	6' Straight PANEL W/1 Z
5S42684XXX1	1	6'-8 1/2" Straight PANEL W/1 Z
5S42800XXX2	2	8' Straight PANEL W/2 Z
5T42060263060	2	6" x 6" x 263° ELL

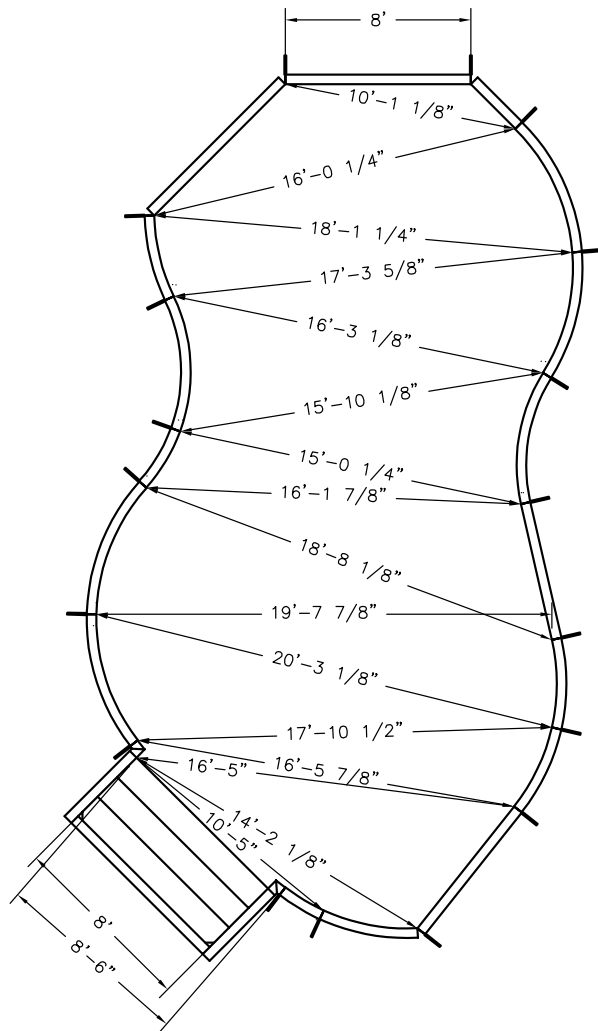
<b>Date:</b> 5/10/2022	<b>Perimeter:</b> 103'-10 1/2"	 <small>cardinalpools.com</small>
<b>Drawn By:</b> JESSE H	<b>Area:</b> 589.0 SQ. FT.	
<b>Scale:</b> 1/8" = 1'-0"	<b>Notes:</b> -----	

This information is the confidential property of Cardinal Systems, Inc. Disclosure or duplication without proper written approval is strictly prohibited. Acceptance and use of this drawing constitutes knowledge and acceptance by the user of the terms and conditions set forth in the notice and warning which accompanied this drawing is incorporated herein and made part hereof and is found on Cardinal Systems, Inc's website at [www.CardinalSystemsInc.com](http://www.CardinalSystemsInc.com)



**Pool Size:** 18' X 36'  
**Pool Shape:** MOUNTAIN LAKE **Approx Gal:** 21,553  
**Pool Number:** 1836MTLK – (STEEL)

250 Route 61 South, Schuylkill Haven, PA 17972 • 570-385-4733 • fax: 570-385-1318 • CustomerService@CardinalSystemsinc.com



**Date:** 5/10/2022

**Perimeter:** 103'-10 1/2"

**Drawn By:** JESSE H

**Area:** 589.0 SQ. FT.

**Scale:** 1/8" = 1'-0"

**Notes:** - - - -

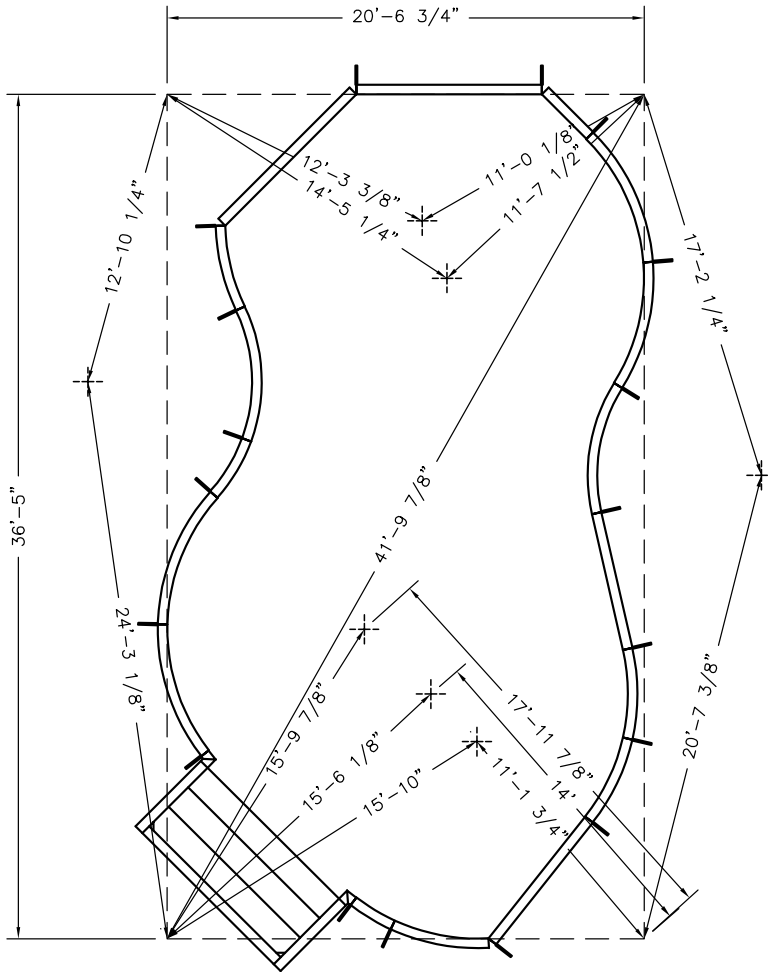



This information is the confidential property of Cardinal Systems, Inc. Disclosure or duplication without proper written approval is strictly prohibited. Acceptance and use of this drawing constitutes knowledge and acceptance by the user of the terms and conditions set forth in the notice and warning which accompanied this drawing is incorporated herein and made part hereof and is found on Cardinal Systems, Inc's website at www.CardinalSystemsInc.com



**Pool Size:** 18' X 36'  
**Pool Shape:** MOUNTAIN LAKE **Approx Gal:** 21,553  
**Pool Number:** 1836MTLK – (STEEL)

250 Route 61 South, Schuylkill Haven, PA 17972 • 570-385-4733 • fax: 570-385-1318 • CustomerService@CardinalSystemsInc.com



<b>Date:</b> 5/10/2022	<b>Perimeter:</b> 103'-10 1/2"	 cardinalpools.com
<b>Drawn By:</b> JESSE H	<b>Area:</b> 589.0 SQ. FT.	
<b>Scale:</b> 1/8" = 1'-0"	<b>Notes:</b> - - - -	
<small>This information is the confidential property of Cardinal Systems, Inc. Disclosure or duplication without proper written approval is strictly prohibited. Acceptance and use of this drawing constitutes knowledge and acceptance by the user of the terms and conditions set forth in the notice and warning which accompanied this drawing. It is incorporated herein and made part hereof and is found on Cardinal Systems, Inc's website at www.CardinalSystemsInc.com</small>		



**Pool Size:** 18' X 36'  
**Pool Shape:** MOUNTAIN LAKE **Approx Gal:** 21,553  
**Pool Number:** 1836MTLK – (STEEL)

250 Route 61 South, Schuylkill Haven, PA 17972 • 570-385-4733 • fax: 570-385-1318 • CustomerService@CardinalSystemsInc.com

HOPPER DIG POINTS	I-J	17'-1"	G-H4	6'-9 5/8"	J-H12	24'-10 3/8"	
POINTS	DISTANCE						
E-F	16'	I-K	16'-9 5/8"	G-H5	4'-3 5/8"	J-H2	19'-4 3/8"
E-G	17'-9 1/2"	J-K	2'-10 1/4"	G-H6	3'-9 1/2"	J-H3	16'-3"
E-H	15'-6 3/4"	E-H1	19'-1 3/8"	G-H7	20'-5 5/8"	J-H4	16'-6 1/2"
E-I	18'-4 3/8"	E-H10	23'-0 7/8"	G-H8	21'-6 1/2"	J-H5	21'-5 5/8"
E-J	4'	E-H11	18'-5"	G-H9	7'-6 1/8"	J-H6	22'-1"
E-K	6'-10 3/8"	E-H12	23'-2 5/8"	H-H1	4'-6 1/4"	J-H7	8'-6"
F-G	16'	E-H2	16'-1 3/8"	H-H10	8'-10"	J-H8	11'-5 5/8"
F-H	16'-1 3/8"	E-H3	13'-1"	H-H11	9'-10"	J-H9	26'-3 5/8"
F-I	29'-3 3/4"	E-H4	15'-1 1/8"	H-H12	8'-6"	K-H1	24'-2 1/8"
F-J	20'	E-H5	19'-6 3/8"	H-H2	5'-4 1/2"	K-H10	28'-4 3/4"
F-K	22'-10 1/4"	E-H6	19'-11 7/8"	H-H3	4'-8 5/8"	K-H11	24'-9 1/8"
G-H	2'-8 1/4"	E-H7	11'-2 1/2"	H-H4	4'-6"	K-H12	26'-5 1/8"
G-I	18'-3 3/8"	E-H8	8'-6"	H-H5	4'-6"	K-H2	21'-10 1/2"
G-J	20'-4 7/8"	E-H9	24'-3 3/4"	H-H6	4'-7 1/2"	K-H3	18'-9"
G-K	22'-7"	G-H1	1'-10 1/2"	H-H7	17'-9 3/8"	K-H4	18'-1 3/8"
H-I	16'	G-H10	6'-1 3/4"	H-H8	20'-0 7/8"	K-H5	23'-3"
H-J	17'-11 3/8"	G-H11	8'-6"	H-H9	8'-11"	K-H6	23'-11 1/4"
H-K	20'-0 3/8"	G-H12	7'-10 7/8"	J-H1	21'-11"	K-H7	7'-5 1/8"
		G-H2	4'-6 1/4"	J-H10	26'-0 5/8"	K-H8	13'-10 1/2"
		G-H3	5'-6 1/2"	J-H11	22'-0 3/4"	K-H9	28'-0 5/8"

PANEL TO HOPPER POINTS	POINTS	DISTANCE	11-H5	30'-8 5/8"	4-H3	6'-10 1/2"	7-H12	16'-2 3/8"
			11-H6	31'-3 1/2"	4-H4	14'-2 7/8"	7-H2	15'-11 3/4"
			11-H7	15'-8"	4-H5	12'-9 3/8"	7-H3	13'-3"
1-H1	25'-7"		11-H8	13'-4 1/2"	4-H6	12'-1 3/8"	7-H4	8'-5"
1-H10	29'		11-H9	35'-6 5/8"	4-H7	25'-1 3/8"	7-H5	13'-8 1/2"
1-H11	22'-7 3/4"	2-H1	15'-5 1/8"	4-H8	18'-6"	7-H6	14'-7 3/8"	
1-H12	31'	2-H10	18'-4 3/4"	4-H9	14'-9 3/8"	7-H7	6'-0 1/2"	
1-H2	21'-9 3/4"	2-H11	11'-8 7/8"	5-H1	8'-6 1/4"	7-H8	19'-2 1/4"	
1-H3	19'-3 1/8"	2-H12	22'-2 3/8"	5-H10	10'-1 1/8"	7-H9	18'-2 3/4"	
1-H4	23'-2 3/8"	2-H2	11'-3 7/8"	5-H11	16'-0 1/4"	8-H1	22'-3"	
1-H5	27'-1 3/8"	2-H3	9'-3 3/4"	5-H12	0"	8-H10	26'-6 7/8"	
1-H6	27'-5"	2-H4	15'-8 7/8"	5-H2	12'-5"	8-H11	25'-1"	
1-H7	18'-4 5/8"	2-H5	18'-2 3/8"	5-H3	13'-0 5/8"	8-H12	22'-1 1/8"	
1-H8	4'-7 1/2"	2-H6	18'-2 1/2"	5-H4	8'-4"	8-H2	21'-3 1/8"	
1-H9	31'-8 3/4"	2-H7	18'-8 3/8"	5-H5	4'	8-H3	18'-3 1/2"	
10-H1	32'-7 3/4"	2-H8	6'-11 1/4"	5-H6	4'-1 5/8"	8-H4	14'-4 7/8"	
10-H10	36'-10 1/8"	2-H9	22'-3 7/8"	5-H7	22'-1 3/4"	8-H5	19'-8 1/2"	
10-H11	32'-9 1/4"	3-H1	8'-3 1/4"	5-H8	28'-6 1/8"	8-H6	20'-7 1/4"	
10-H12	34'-8 7/8"	3-H10	10'-4"	5-H9	2'-8 1/2"	8-H7	1/2"	
10-H2	30'-2 1/4"	3-H11	3'-7"	6-H1	12'-8"	8-H8	19'-7 1/4"	
10-H3	27'-0 7/8"	3-H12	16'-4 7/8"	6-H10	16'-8 1/8"	8-H9	24'-2 1/2"	
10-H4	26'-5 7/8"	3-H2	4'-0 1/8"	6-H11	18'-1"	9-H1	28'-4 1/4"	
10-H5	31'-8 1/4"	3-H3	4'-6 7/8"	6-H12	10'-7 1/8"	9-H10	32'-8"	
10-H6	32'-4 7/8"	3-H4	12'-9"	6-H2	13'-7 3/8"	9-H11	29'-10 1/8"	
10-H7	13'-8 1/4"	3-H5	12'-8 1/4"	6-H3	11'-8 3/8"	9-H12	29'-2 3/4"	
10-H8	18'-6 5/8"	3-H6	12'-3 1/2"	6-H4	4'-0 3/8"	9-H2	26'-7 1/8"	
10-H9	36'-5 5/8"	3-H7	22'-0 7/8"	6-H5	8'-8 1/4"	9-H3	23'-5 3/4"	
11-H1	30'-8 1/8"	3-H8	15'-2 5/8"	6-H6	9'-8 1/4"	9-H4	21'-2 7/8"	
11-H10	34'-7 5/8"	3-H9	15'-8 7/8"	6-H7	11'-6 3/4"	9-H5	26'-6 5/8"	
11-H11	29'-6 1/4"	4-H1	7'-6"	6-H8	22'-5 1/8"	9-H6	27'-4 1/2"	
11-H12	34'-2 1/4"	4-H10	8'	6-H9	12'-9 7/8"	9-H7	7'-4"	
11-H2	27'-7 1/2"	4-H11	0"	7-H1	16'-5 5/8"	9-H8	19'-4 1/8"	
11-H3	24'-7 5/8"	4-H12	16'-0 1/4"	7-H10	20'-9 1/8"	9-H9	31'-2 3/8"	
11-H4	25'-10 1/2"	4-H2	4'-5 7/8"	7-H11	20'-1 1/2"			

**Date:** 5/10/2022

**Perimeter:** 103'-10 1/2"

**Drawn By:** JESSE H

**Area:** 589.0 SQ. FT.

**Scale:** 1/8" = 1'-0"

**Notes:** - - - -



cardinalpools.com

This information is the confidential property of Cardinal Systems, Inc. Disclosure or duplication without proper written approval is strictly prohibited. Acceptance and use of this drawing constitutes knowledge and acceptance by the user of the terms and conditions set forth in the notice and warning which accompanied this drawing. Is Incorporated herein and made part hereof and is found on Cardinal Systems, Inc's website at www.CardinalSystemsInc.com




**Pool Size:** 18' X 36'  
**Pool Shape:** MOUNTAIN LAKE **Approx Gal:** 21,553  
**Pool Number:** 1836MTLK – (STEEL)

250 Route 61 South, Schuylkill Haven, PA 17972 • 570-385-4733 • fax: 570-385-1318 • CustomerService@CardinalSystemsinc.com

PANEL TO PANEL POINTS		POINTS		DISTANCE	
11-P	30'-0 5/8"	4-N	8'	7-L	18'-11"
11-Q	13'-5"	4-O	14'-9 3/8"	7-M	15'-0 1/4"
11-R	1'-11 1/8"	4-P	18'-1 1/4"	7-N	20'-9 1/8"
11-S1	8'-6 1/8"	4-Q	27'-11 1/2"	7-O	18'-2 3/4"
11-S2	9"	4-R	30'-10 1/4"	7-P	11'-1"
2-C1	20'-0 3/4"	4-S1	23'-4 5/8"	7-Q	9'-8 5/8"
2-C2	21'-4 7/8"	4-S2	29'-5 1/4"	7-R	19'-5 3/4"
2-L	5'-10 1/2"	5-C1	6'-2 5/8"	7-S1	19'-10 1/8"
2-M	2'-9 7/8"	5-C2	34'-11"	7-S2	19'-10 1/8"
2-N	18'-4 3/4"	5-L	27'-8"	8-C1	25'-1 1/4"
2-O	22'-3 7/8"	5-M	19'-5 3/4"	8-C2	14'-5 5/8"
2-P	20'-11 7/8"	5-N	10'-1 1/8"	8-L	19'-8 1/4"
2-Q	20'-3 7/8"	5-O	2'-8 1/2"	8-M	18'-4 1/2"
2-R	19'-9 1/4"	5-P	5'-10 1/2"	8-N	26'-6 7/8"
2-S1	11'-7 3/4"	5-Q	25'-10 3/8"	8-O	24'-2 1/2"
2-S2	18'-0 3/4"	5-R	34'-8 5/8"	8-P	16'-8 3/4"
3-C1	12'-8 3/8"	5-S1	31'-7 7/8"	8-Q	3'-9 3/8"
3-C2	28'-7"	5-S2	34'-5 1/2"	8-R	15'-3 3/8"
3-L	14'-1 1/2"	6-C1	14'-3 7/8"	8-S1	18'-7 3/8"
3-M	5'-10 1/8"	6-C2	24'-11"	8-S2	16'-3 3/8"
3-N	10'-4"	6-L	21'-10 3/4"	9-C1	31'-8 1/4"
3-O	15'-8 7/8"	6-M	15'-10 1/8"	9-C2	7'-10"
3-P	17'-3 5/8"	6-N	16'-8 1/8"	9-L	19'-10 1/8"
3-Q	24'-8 7/8"	6-O	12'-9 7/8"	9-M	21'-7 7/8"
3-R	27'-3 1/4"	6-P	5'-4 1/8"	9-N	32'-8"
3-S1	19'-11 1/2"	6-Q	15'-3 5/8"	9-O	31'-2 3/8"
3-S2	25'-10 3/8"	6-R	25'-0 5/8"	9-P	24'-0 1/4"
4-C1	11'-2 3/8"	6-S1	24'-1 5/8"	9-Q	3'-9 3/8"
4-C2	32'-1 7/8"	6-S2	25'-2 1/2"	9-R	9'-4 3/8"
4-L	17'-4 5/8"	7-C1	19'-1 1/2"	9-S1	16'-5"
4-M	9'-4 5/8"	7-C2	19'-2 3/4"	9-S2	11'-2 1/4"

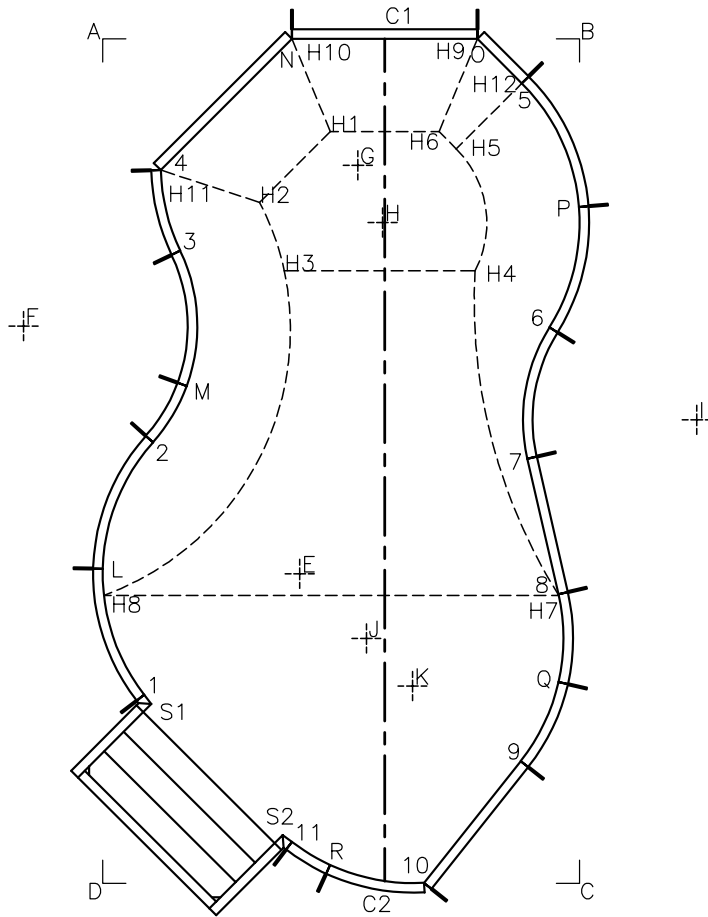
BOX POINTS		POINTS		DISTANCE	
A-B	20'-6 3/4"	A-K	30'-11 3/8"	B-S1	34'-7 1/4"
A-C	41'-9 7/8"	A-S1	29'-1 1/8"	B-S2	37'-1 1/8"
A-C1	12'-2"	A-S2	35'-5 5/8"	C-C1	37'-4 1/2"
A-C2	38'-3 3/4"	B-C	36'-5"	C-C2	8'-4 7/8"
A-D	36'-5"	B-C1	8'-4 7/8"	C-CD	20'-6 3/4"
A-E	24'-7"	B-C2	37'-3 1/2"	C-E	17'-11 7/8"
A-F	12'-10 1/4"	B-D	41'-9 7/8"	C-F	33'-11 3/8"
A-G	12'-3 3/8"	B-E	26'-0 3/8"	C-G	32'-4 7/8"
A-H	14'-5 1/4"	B-F	27"	C-H	29'-8 3/4"
A-H1	10'-7 1/4"	B-G	11'-0 1/8"	C-H1	34'-1 3/4"
A-H10	8'-2"	B-H	11'-7 1/2"	C-H10	38'-5 5/8"
A-H11	6'-2 1/4"	B-H1	11'-5 5/8"	C-H11	35'-8"
A-H12	18'-2 1/8"	B-H10	12'-4 7/8"	C-H12	34'-7"
A-H2	9'-9 1/4"	B-H11	18'-11 1/8"	C-H2	32'-5 1/4"
A-H3	12'-8 3/8"	B-H12	3'-1 3/4"	C-H3	29'-3 7/8"
A-H4	18'-11"	B-H2	15'-6"	C-H4	26'-9 1/2"
A-H5	15'-11 5/8"	B-H3	16'-2 1/4"	C-H5	32'-1 3/8"
A-H6	15'-0 5/8"	B-H4	10'-11 5/8"	C-H6	32'-11 3/4"
A-H7	31'-0 3/8"	B-H5	7'-1 1/2"	C-H7	12'-5 3/8"
A-H8	24"	B-H6	7'-3 1/8"	C-H8	23'-11 3/4"
A-H9	16'-2"	B-H7	24'-0 1/4"	C-H9	36'-8 1/8"
A-I	30'-5 1/4"	B-H8	31'-6 7/8"	C-I	20'-7 3/8"
A-J	28'-3"	B-H9	4'-4 7/8"	C-J	14'
		B-I	17'-2 1/4"	C-K	11'-1 3/4"
		B-J	27'-5 3/8"	C-S1	20'-2 5/8"
		B-K	28'-10"	C-S2	13'-3 1/4"
				D-C1	38'-4 5/8"
				D-C2	12'-2"
				D-F	15'-9 7/8"
				D-F	24'-3 1/8"
				D-G	32'-10 1/4"
				D-H	30'-11 1/4"
				D-H1	33'-10 3/8"
				D-H10	37'-3 3/4"
				D-H11	30'-10 1/4"
				D-H12	38'-11 3/8"
				D-H2	30'-1 5/8"
				D-H3	27'-6 5/8"
				D-H4	30'-11"
				D-H5	35'-1 3/4"
				D-H6	35'-6 1/8"
				D-H7	23'-3 1/8"
				D-H8	12'-5"
				D-H9	39'-10"
				D-I	32'-5 7/8"
				D-J	15'-6 1/8"
				D-K	15'-10"
				D-S1	7'-7"
				D-S2	7'-7 3/8"

<b>Date:</b> 5/10/2022	<b>Perimeter:</b> 103'-10 1/2"	 cardinalpools.com
<b>Drawn By:</b> JESSE H	<b>Area:</b> 589.0 SQ. FT.	
<b>Scale:</b> 1/8" = 1'-0"	<b>Notes:</b> - - - -	
This information is the confidential property of Cardinal Systems, Inc. Disclosure or duplication without proper written approval is strictly prohibited. Acceptance and use of this drawing constitutes knowledge and acceptance by the user of the terms and conditions set forth in the notice and warning which accompanied this drawing is incorporated herein and made part hereof and is found on Cardinal Systems, Inc's website at www.CardinalSystemsInc.com		



**Pool Size:** 18' X 36'  
**Pool Shape:** MOUNTAIN LAKE **Approx Gal:** 21,553  
**Pool Number:** 1836MTLK – (STEEL)

250 Route 61 South, Schuylkill Haven, PA 17972 • 570-385-4733 • fax: 570-385-1318 • CustomerService@CardinalSystemsinc.com



**Date:** 5/10/2022

**Perimeter:** 103'–10 1/2"

**Drawn By:** JESSE H

**Area:** 589.0 SQ. FT.

**Scale:** 1/8" = 1'–0"

**Notes:** – – – –

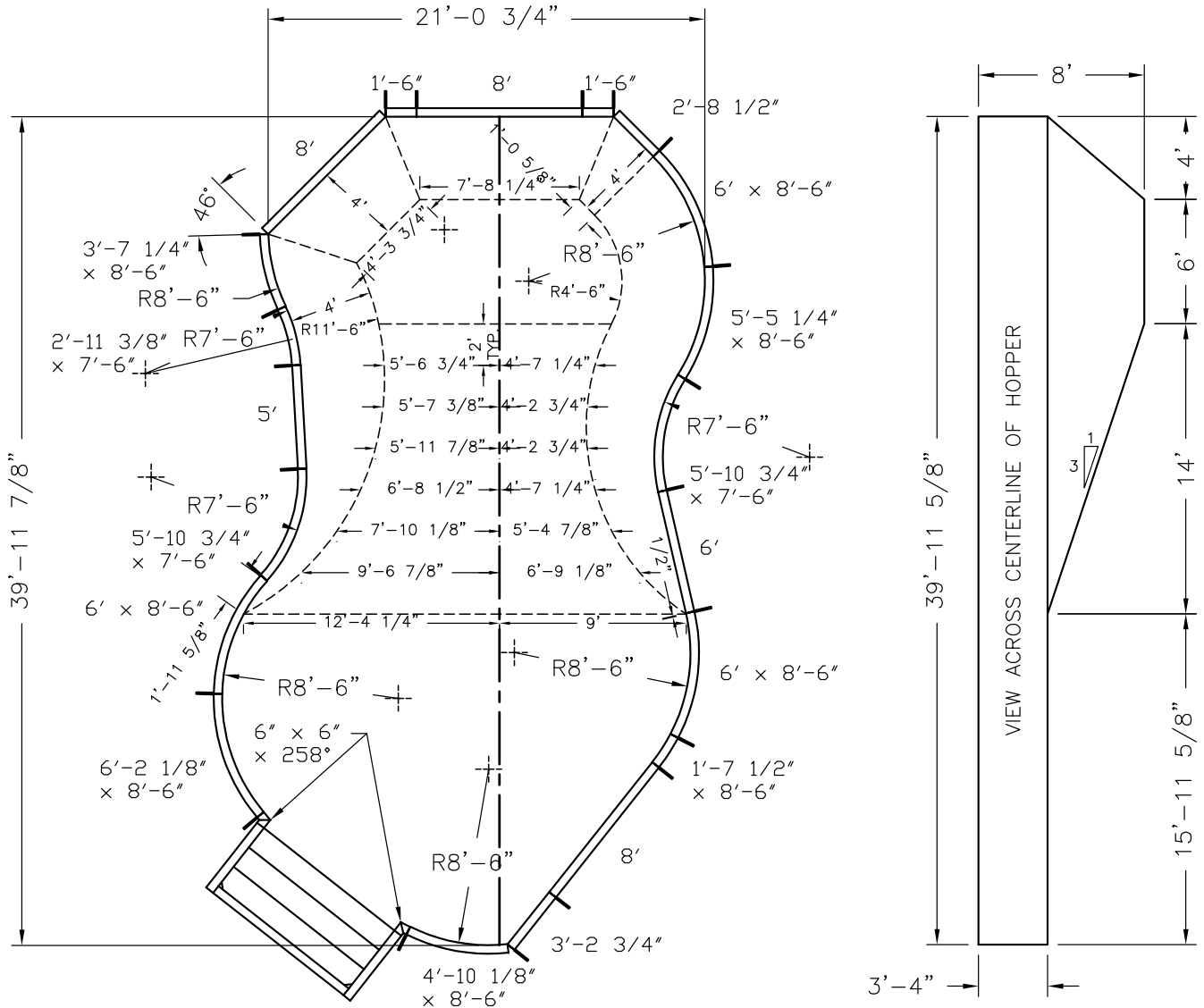


This Information Is the confidential property of Cardinal Systems, Inc. Disclosure or duplication without proper written approval Is strictly prohibited. Acceptance and use of this drawing constitutes knowledge and acceptance by the user of the terms and conditions set forth in the notice and warning which accompanied this drawing Is Incorporated herein and made part hereof and Is found on Cardinal Systems, Inc's website at www.CardinalSystemsInc.com




**Pool Size:** 21' X 40'  
**Pool Shape:** MOUNTAIN LAKE **Approx Gal:** 26,856  
**Pool Number:** 2140MTLK – (STEEL)

250 Route 61 South, Schuylkill Haven, PA 17972 • 570-385-4733 • fax: 570-385-1318 • [CustomerService@CardinalSystemsinc.com](mailto:CustomerService@CardinalSystemsinc.com)



8' STEEL STEP  
 W/LINER TRACK  
 L3SX3080XXXXXC

<b>Date:</b> 5/10/2022	<b>Perimeter:</b> 115'-5 7/8"	 cardinalpools.com
<b>Drawn By:</b> JESSE H	<b>Area:</b> 734.8 SQ. FT.	
<b>Scale:</b> 1/8" = 1'-0"	<b>Notes:</b> -----	

This information is the confidential property of Cardinal Systems, Inc. Disclosure or duplication without proper written approval is strictly prohibited. Acceptance and use of this drawing constitutes knowledge and acceptance by the user of the terms and conditions set forth in the notice and warning which accompanied this drawing is incorporated herein and made part hereof and is found on Cardinal Systems, Inc's website at [www.CardinalSystemsInc.com](http://www.CardinalSystemsInc.com)






**Pool Size:** 21' X 40'  
**Pool Shape:** MOUNTAIN LAKE **Approx Gal:** 26,856  
**Pool Number:** 2140MTLK – (STEEL)

250 Route 61 South, Schuylkill Haven, PA 17972 • 570-385-4733 • fax: 570-385-1318 • CustomerService@CardinalSystemsinc.com

### Bill of Materials

PART NO.	QUANTITY	DESCRIPTION
"A" FRAME	21	"A" FRAME ASSEMBLY
CS901GC	3	GRECIAN CORNER ANGLE
CS930WW-46	1	46° CORNER ANGLE
L3SX3080XXXXXXC	1	8' STEEL STEP W/LINER TRACK
5C42174XX08600	1	1'-7 1/2" x 8'-6" Radius C PANEL W/0 Z
5C42372XX08600	1	3'-7 1/4" x 8'-6" Radius C PANEL W/0 Z
5C424T1XX08600	1	4'-10 1/8" x 8'-6" Radius C PANEL W/0 Z
5C42552XX08600	1	5'-5 1/4" x 8'-6" Radius C PANEL W/0 Z
5C42600XX08600	3	6' x 8'-6" Radius C PANEL W/0 Z
5C42621XX08600	1	6'-2 1/8" x 8'-6" Radius C PANEL W/0 Z
5R422E3XX07600	1	2'-11 3/8" x 7'-6" Radius R PANEL W/0 Z
5R425T6XX07600	2	5'-10 3/4" x 7'-6" Radius R PANEL W/0 Z
5S42160XXX0	2	1'-6" Straight PANEL W/0 Z
5S42284XXX0	1	2'-8 1/2" Straight PANEL W/0 Z
5S42326XXX0	1	3'-2 3/4" Straight PANEL W/0 Z
5S42500XXX0	1	5' Straight PANEL W/0 Z
5S42600XXX1	1	6' Straight PANEL W/1 Z
5S42800XXX2	3	8' Straight PANEL W/2 Z
5T42060258060	2	6" x 6" x 258° ELL

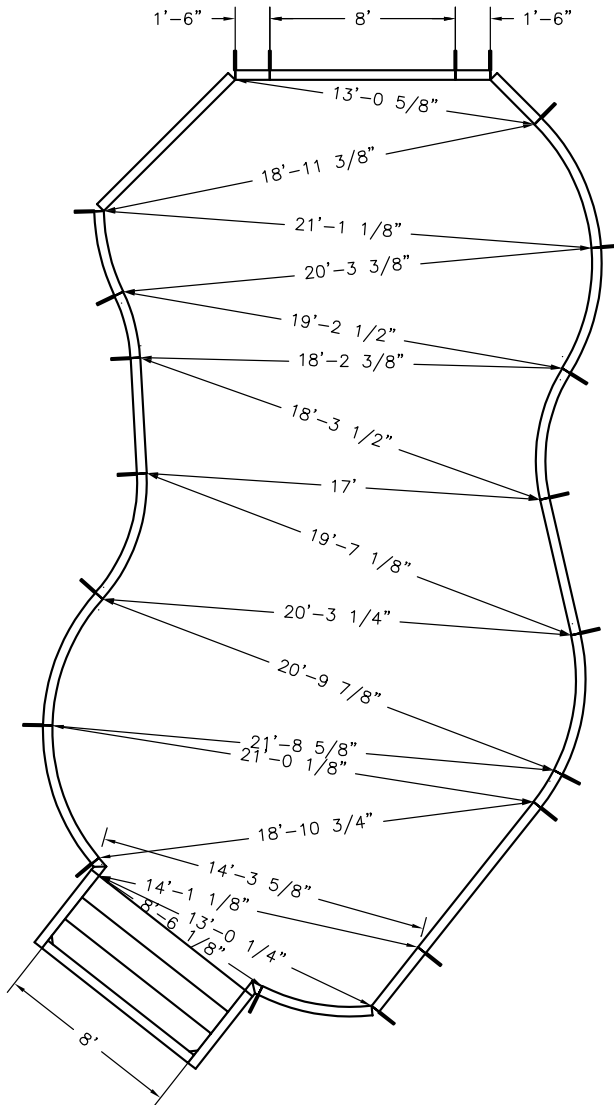
<b>Date:</b> 5/10/2022	<b>Perimeter:</b> 115'-5 7/8"	 <small>cardinalpools.com</small>
<b>Drawn By:</b> JESSE H	<b>Area:</b> 734.8 SQ. FT.	
<b>Scale:</b> 1/8" = 1'-0"	<b>Notes:</b> - - - -	


This information is the confidential property of Cardinal Systems, Inc. Disclosure or duplication without proper written approval is strictly prohibited. Acceptance and use of this drawing constitutes knowledge and acceptance by the user of the terms and conditions set forth in the notice and warning which accompanied this drawing is incorporated herein and made part hereof and is found on Cardinal Systems, Inc's website at [www.CardinalSystemsInc.com](http://www.CardinalSystemsInc.com)



**Pool Size:** 21' X 40'  
**Pool Shape:** MOUNTAIN LAKE **Approx Gal:** 26,856  
**Pool Number:** 2140MTLK – (STEEL)

250 Route 61 South, Schuylkill Haven, PA 17972 • 570-385-4733 • fax: 570-385-1318 • CustomerService@CardinalSystemsinc.com



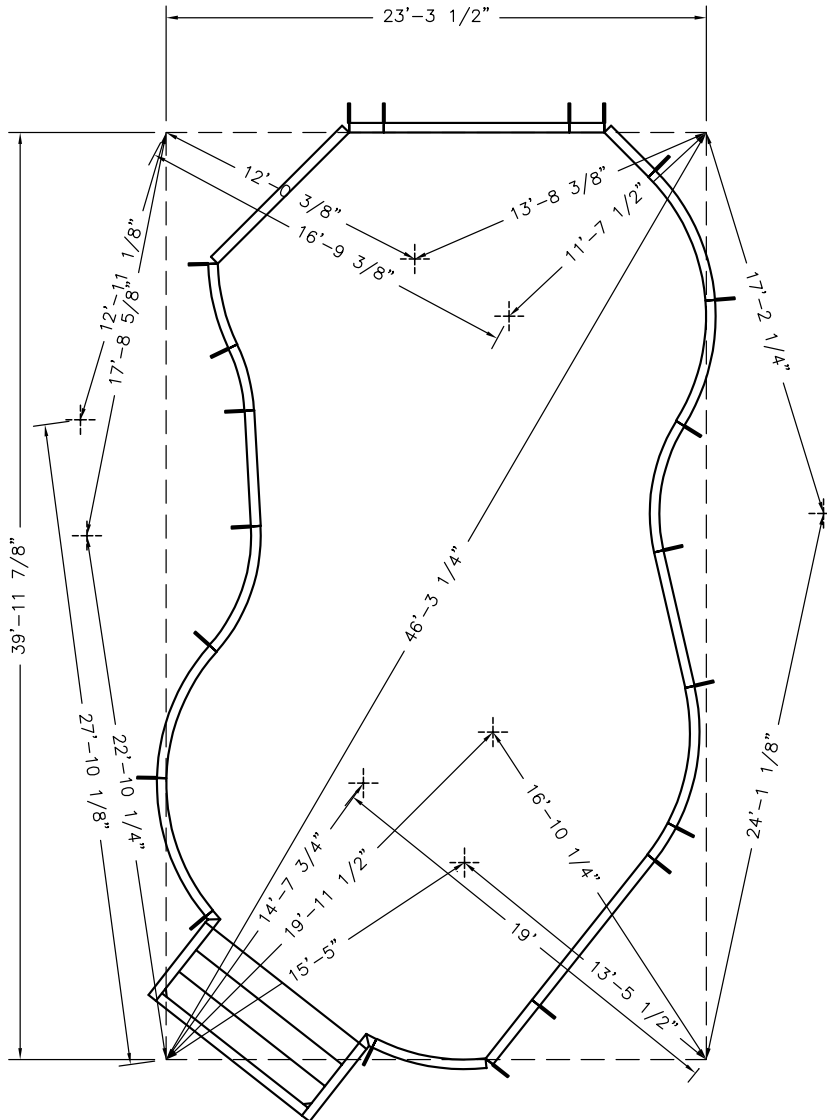
<b>Date:</b> 5/10/2022	<b>Perimeter:</b> 115'–5 7/8"	 cardinalpools.com
<b>Drawn By:</b> JESSE H	<b>Area:</b> 734.8 SQ. FT.	
<b>Scale:</b> 1/8" = 1'-0"	<b>Notes:</b> -----	

This information is the confidential property of Cardinal Systems, Inc. Disclosure or duplication without proper written approval is strictly prohibited. Acceptance and use of this drawing constitutes knowledge and acceptance by the user of the terms and conditions set forth in the notice and warning which accompanied this drawing is incorporated herein and made part hereof and is found on Cardinal Systems, Inc's website at www.CardinalSystemsInc.com



**Pool Size:** 21' X 40'  
**Pool Shape:** MOUNTAIN LAKE **Approx Gal:** 26,856  
**Pool Number:** 2140MTLK – (STEEL)

250 Route 61 South, Schuylkill Haven, PA 17972 • 570-385-4733 • fax: 570-385-1318 • CustomerService@CardinalSystemsinc.com



**Date:** 5/10/2022

**Perimeter:** 115'-5 7/8"

**Drawn By:** JESSE H

**Area:** 734.8 SQ. FT.

**Scale:** 1/8" = 1'-0"

**Notes:** - - - -



This information is the confidential property of Cardinal Systems, Inc. Disclosure or duplication without proper written approval is strictly prohibited. Acceptance and use of this drawing constitutes knowledge and acceptance by the user of the terms and conditions set forth in the notice and warning which accompanied this drawing is incorporated herein and made part hereof and is found on Cardinal Systems, Inc's website at www.CardinalSystemsInc.com




**Pool Size:** 21' X 40'  
**Pool Shape:** MOUNTAIN LAKE **Approx Gal:** 26,856  
**Pool Number:** 2140MTLK – (STEEL)

250 Route 61 South, Schuylkill Haven, PA 17972 • 570-385-4733 • fax: 570-385-1318 • CustomerService@CardinalSystemsinc.com

HOPPER POINTS	DIG POINTS	POINTS	DISTANCE	H-K	20'-8 1/4"	H-H12	10'-8 1/8"	K-H11	26'-3 5/8"
E-F	16'	I-J	16'	H-L	26'-1 3/8"	H-H2	4'-6 1/4"	K-H12	24'-10 3/8"
E-G	19'-10 1/4"	I-K	17'-11 3/8"	I-L	23'-7 5/8"	H-H3	9'-3"	K-H2	20'-3 1/2"
E-H	22'-8 5/8"	J-K	17'-1"	J-L	21'-7 1/4"	H-H4	7'-3 3/8"	K-H3	16'-6 1/2"
E-I	21'-1 1/8"	K-L	5'-9 1/8"	E-H1	18'-1"	H-H5	6'-8"	K-H4	21'-5 5/8"
E-J	23'	E-H10	23'-3 1/8"	E-H11	29'-11"	H-H6	1'-10 1/2"	K-H5	22'-1"
E-K	6'-0 1/8"	E-H12	28'-10 3/4"	I-H10	12'-9 1/4"	H-H7	21'-10 7/8"	K-H6	22'-3 7/8"
E-L	5'-6 1/2"	E-H2	21'-1 1/4"	I-H11	8'-11"	H-H8	20'-11 1/8"	K-H7	8'-6"
F-G	5'	E-H3	20'-9 3/8"	I-H12	8'-6"	H-H9	6'-1 3/4"	K-H8	13'-2 3/8"
F-H	18'-6"	E-H4	25'-2"	I-H2	8'-4 1/8"	I-H1	7'-6 1/4"	K-H9	26'-7 1/8"
F-I	20'-6 1/4"	E-H5	25'-7 1/8"	I-H3	4'-6"	L-H10	12'-9 1/4"	L-H1	22'-1 1/2"
F-J	31'-9 1/4"	E-H6	24'-1"	I-H4	4'-6"	L-H11	8'-11"	L-H10	27'-11 1/8"
F-K	19'-5 1/2"	E-H7	14'-5 5/8"	I-H5	4'-7 1/2"	L-H12	8'-4 1/8"	L-H11	30'-7 3/8"
F-L	21'-6 3/8"	E-H8	8'-6"	I-H6	6'-6 5/8"	L-H2	4'-6"	L-H12	30'-7 3/8"
G-H	16'	E-H9	28'-0 3/4"	I-H7	17'-9 3/8"	L-H3	4'-6"	L-H2	25'-3"
G-I	19'-0 1/8"	E-H10	8'-6"	I-H8	21'-1 7/8"	L-H3	4'-6"	L-H3	22'-3 3/8"
G-J	32'-3 1/2"	H-H1	5'-6 1/2"	I-H9	10'-6 1/8"	L-H4	4'-7 1/2"	L-H4	27'-2 3/4"
G-K	22'-3 3/4"	H-H10	8'-6"	K-H1	17'-1 7/8"	L-H5	6'-6 5/8"	L-H5	27'-10"
G-L	25'-3 1/4"	H-H11	9'-9 3/4"	K-H10	23'-5 1/8"	L-H6	6'-6 5/8"	L-H6	27'-8 1/4"
H-I	4'-9 1/8"					L-H7	17'-9 3/8"	L-H7	12'-1 3/8"
H-J	20'-9 1/8"					L-H8	10'-6 1/8"	L-H8	14'
						L-H9	17'-1 7/8"	L-H9	31'-10 1/2"

PANEL TO HOPPER POINTS	POINTS	DISTANCE	12-H10	36'-2"	3-H3	16'-3 3/8"	6-H7	27'-3 1/8"
1-H1	24'-2 1/4"	12-H11	40'-3 1/8"	3-H4	18'-6 1/8"	6-H8	18'-4 5/8"	
1-H10	27'-10 5/8"	12-H12	38'-8"	3-H5	18'-5 5/8"	6-H9	8'	
1-H11	37'-6 5/8"	12-H2	33'-8 1/8"	3-H6	14'-0 7/8"	7-H1	15'-6 1/4"	
1-H12	36'-9 1/2"	12-H3	30'-4 1/4"	3-H7	19'-7 1/2"	7-H10	18'-11 3/8"	
1-H2	26'-10 1/2"	12-H4	35'-5 1/4"	3-H8	7'-7 7/8"	7-H11	2'-8 1/2"	
1-H3	28'-10 7/8"	12-H5	36'-1 1/4"	3-H9	17'-4 5/8"	7-H12	0"	
1-H4	32'-11 1/8"	12-H6	36'-2 1/4"	4-H1	4'-3"	7-H2	15'-2 3/8"	
1-H5	33'-2 7/8"	12-H7	18'-1 3/8"	4-H10	6'-6 1/8"	7-H3	8'-4"	
1-H6	30'-5 7/8"	12-H8	20'-4 3/4"	4-H11	19'-3 1/8"	7-H4	4'	
1-H7	22'-6 1/8"	12-H9	40'-4 3/8"	4-H12	19'-9 1/8"	7-H5	4'-1 5/8"	
1-H8	9'-7 1/8"	13-H1	29'-1 5/8"	4-H2	5'-7 3/8"	7-H6	11'-5 3/8"	
1-H9	34'-0 3/4"	13-H10	34'-1 1/2"	4-H3	15'-1 3/8"	7-H7	22'-1 3/4"	
10-H1	20'-4 1/4"	13-H11	40'-3 5/8"	4-H4	15'-11"	7-H8	29'-7 5/8"	
10-H10	27'-2 5/8"	13-H12	38'-11 7/8"	4-H5	15'-7 1/2"	7-H9	13'-0 5/8"	
10-H11	24'-2 1/2"	13-H2	32'-1 3/4"	4-H6	9'-10"	8-H1	14'-7 5/8"	
10-H12	22'-1 1/8"	13-H3	30'-8"	4-H7	22'-1 3/4"	8-H10	20'-10 3/4"	
10-H2	23'-2 3/8"	13-H4	35'-5 3/4"	4-H8	12'-4"	8-H11	12'-9 7/8"	
10-H3	14'-4 7/8"	13-H5	36'-0 3/8"	4-H9	12'-7 7/8"	8-H12	10'-7 1/8"	
10-H4	19'-8 1/2"	13-H6	35'-1 1/8"	5-H1	4'-6 7/8"	8-H2	16'-4 7/8"	
10-H5	20'-7 1/4"	13-H7	20'-1 5/8"	5-H10	3'-7"	8-H3	4'-0 3/8"	
10-H6	23'-8 3/4"	13-H8	17'-1 1/8"	5-H11	18'-3 1/4"	8-H4	8'-8 1/4"	
10-H7	1/2"	13-H9	39'-1 3/8"	5-H12	19'-1 3/4"	8-H5	9'-8 1/4"	
10-H8	21'-4 1/8"	2-H1	13'-6 1/8"	5-H2	4'-0 1/8"	8-H6	15'-0 1/2"	
10-H9	28'	2-H10	16'-8 3/4"	5-H3	15'-8 7/8"	8-H7	11'-6 3/4"	
11-H1	24'-11 1/8"	2-H11	27'-11 1/4"	5-H4	15'-6 1/2"	8-H8	23'-11 1/4"	
11-H10	31'-6 1/8"	2-H12	27'-8 1/8"	5-H5	15'-0 3/4"	8-H9	18'-9 3/4"	
11-H11	31'-2 3/8"	2-H2	15'-11 1/4"	5-H6	8'-3 1/4"	9-H1	15'-8 3/4"	
11-H12	29'-2 3/4"	2-H3	20'-8 5/8"	5-H7	24'-4 1/2"	9-H10	22'-6 5/8"	
11-H2	28'	2-H4	23'-8 1/4"	5-H8	15'	9-H11	18'-2 3/4"	
11-H3	21'-2 7/8"	2-H5	23'-9 1/4"	5-H9	10'-4"	9-H12	16'-2 3/8"	
11-H4	26'-6 5/8"	2-H6	19'-9 3/4"	6-H1	6'-10 1/2"	9-H2	18'-3 1/4"	
11-H5	27'-4 1/2"	2-H7	20'-3 3/8"	6-H10	0"	9-H3	8'-5"	
11-H6	29'-4 3/8"	2-H8	1'-11 5/8"	6-H11	17'-7 1/8"	9-H4	13'-8 1/2"	
11-H7	7'-4"	2-H9	23'-1 1/4"	6-H12	18'-11 3/8"	9-H5	14'-7 3/8"	
11-H8	20'-11 5/8"	3-H1	7'-9 1/2"	6-H2	4'-5 7/8"	9-H6	18'-2 3/8"	
11-H9	33'-8 3/8"	3-H10	11'-5 1/2"	6-H3	17'-1 3/8"	9-H7	6'-0 1/2"	
12-H1	30'-6 7/8"	3-H11	22'-6 1/4"	6-H4	15'-9 1/4"	9-H8	20'-10 1/4"	
		3-H12	22'-6"	6-H5	15'-1 1/8"	9-H9	22'-4 1/2"	
		3-H2	10'-2 1/2"	6-H6	7'-6"			

<b>Date:</b> 5/10/2022	<b>Perimeter:</b> 115'-5 7/8"	 cardinalpools.com
<b>Drawn By:</b> JESSE H	<b>Area:</b> 734.8 SQ. FT.	
<b>Scale:</b> 1/8" = 1'-0"	<b>Notes:</b> -----	
This information is the confidential property of Cardinal Systems, Inc. Disclosure or duplication without proper written approval is strictly prohibited. Acceptance and use of this drawing constitutes knowledge and acceptance by the user of the terms and conditions set forth in the notice and warning which accompanied this drawing is incorporated herein and made part hereof and is found on Cardinal Systems, Inc's website at www.CardinalSystemsInc.com		



**Pool Size:** 21' X 40'  
**Pool Shape:** MOUNTAIN LAKE **Approx Gal:** 26,856  
**Pool Number:** 2140MTLK – (STEEL)

250 Route 61 South, Schuylkill Haven, PA 17972 • 570-385-4733 • fax: 570-385-1318 • CustomerService@CardinalSystemsinc.com

PANEL TO PANEL POINTS	POINTS	DISTANCE	12-C2	12-M	12-N	12-O	12-P	12-Q	12-R	12-S	12-S1	12-S2	12-T	13-C1	13-C2	13-M	13-N	13-O	13-P	13-Q	13-R	13-S	13-S1	13-S2	13-T	2-C1	2-C2	2-M	2-N	2-O	2-P	2-Q	2-R	2-S	2-S1	2-S2	2-T	3-C1	3-C2	3-M	3-N	3-O	3-P	3-Q	3-R	3-S	3-S1	3-S2	3-T	4-C1	4-C2	4-M	4-N	4-O	4-P	4-Q	4-R	4-S	4-S1	4-S2	4-T	5-C1	5-C2	5-M	5-N	5-O	5-P	5-Q	5-R	5-S	5-S1	5-S2	5-T	6-C1	6-C2	6-M	6-N	6-O	6-P	6-Q	6-R	6-S	6-S1	6-S2	6-T	7-C1	7-C2	7-M	7-N	7-O	7-P	7-Q	7-R	7-S	7-S1	7-S2	7-T	8-C1	8-C2	8-M	8-N	8-O	8-P	8-Q	8-R	8-S	8-S1	8-S2	8-T	9-C1	9-C2	9-M	9-N	9-O	9-P	9-Q	9-R	9-S	9-S1	9-S2	9-T
			4 5/8"	18'-3 7/8"	3'-2 3/4"	12'-10 1/8"	34'-0 3/8"	40'-3 1/8"	40'-1 1/4"	40'-2 1/8"	13'-0 1/4"	5'-6"	40'-4 3/8"	39'-4"	4'-4 7/8"	14'-5 3/8"	6'-11"	15'-7 5/8"	34'-10 3/8"	40'-3 5/8"	39'-11 5/8"	39'-1 1/8"	8'-6 1/8"	9 1/4"	39'-1 3/8"	25'-0 1/2"	20'-10 1/4"	5'-10 1/2"	20'-3 1/4"	20'-9 7/8"	25'-11 1/2"	27'-11 1/4"	27'-0 7/8"	23'-6 1/4"	11'-11 1/4"	17'-11 1/2"	23'-1 1/4"	19'-4 1/4"	24'-9 3/4"	11'-7 3/8"	23'-6 5/8"	21'-8 7/8"	21'-6 1/8"	22'-6 1/4"	21'-6 3/4"	17'-9 3/8"	17'-5 3/4"	22'-8 3/8"	17'-4 5/8"	15'-4 1/8"	29'-7 1/8"	16'-3 3/4"	28'-1 3/8"	25'-2 1/2"	32'-6 1/8"	18'-11 1/2"	31'	27'-9 1/4"	20'-3 3/8"	18'-3 1/4"	16'-11 7/8"	11'-1 3/8"	25'-2 1/2"	30'-6 7/8"	10'-4"	12'-6 1/8"	36'-1"	22'-3 5/8"	34'-6 1/4"	30'-11 1/2"	21'-1 1/8"	17'-7 1/8"	16'-2 1/8"	9'-1 1/2"	21'-6 1/8"	22'-6 1/4"	21'-6 3/4"	17'-9 3/8"	17'-5 3/4"	22'-8 3/8"	17'-4 5/8"	15'-4 1/8"	29'-7 1/8"	16'-3 3/4"	28'-1 3/8"	25'-2 1/2"	32'-6 1/8"	18'-11 1/2"	31'	27'-9 1/4"	20'-3 3/8"	18'-3 1/4"	16'-11 7/8"	11'-1 3/8"	25'-2 1/2"	30'-6 7/8"	10'-4"	12'-6 1/8"	36'-1"	22'-3 5/8"	34'-6 1/4"	30'-11 1/2"	21'-1 1/8"	17'-7 1/8"	16'-2 1/8"	9'-1 1/2"															

BOX POINTS	POINTS	DISTANCE	A-L	A-S1	A-S2	B-C	B-C1	B-C2	B-D	B-E	B-F	B-G	B-H	B-H1	B-H10	B-H11	B-H12	B-H2	B-H3	B-H4	B-H5	B-H6	B-H7	B-H8	B-H9	B-I	B-J	B-K	B-L	B-S1	B-S2	C-C1	C-C2	C-D	C-E	C-F	C-G	C-H	C-H1	C-H10	C-H11	C-H12	C-H2	C-H3	C-H4	C-H5	C-H6	C-H7	C-H8	C-H9	C-I	C-J	C-K	C-L	C-S1	C-S2	D-C1	D-C2	D-E	D-F	D-G	D-H	D-H1	D-H10	D-H11	D-H12	D-H2	D-H3	D-H4	D-H5	D-H6	D-H7	D-H8	D-H9	D-I	D-J	D-K	D-L	D-S1	D-S2
			34'-0 1/8"	34'-4 5/8"	40'-1 5/8"	39'-11 7/8"	9'-10 7/8"	41'-2 1/8"	46'-3 1/4"	31'-8 5/8"	31'-10 3/8"	29'-8 1/4"	13'-8 3/8"	18'-7 3/4"	21'-9 3/4"	4'-4 7/8"	3'-1 3/4"	18'-2 5/8"	10'-11 5/8"	7'-1 1/2"	7'-3 1/8"	14'-3 7/8"	24'-0 1/4"	32'-8 3/4"	15'-4 7/8"	11'-7 1/2"	17'-2 1/4"	27'-5 3/8"	33'-2"	40'-4 1/2"	42'-0 1/4"	41'-2 3/8"	9'-10 7/8"	23'-3 1/2"	19'	34'-11 7/8"	38'-7 1/8"	36'-9"	33'-10 3/8"	40'-3 1/4"	40'-2 3/4"	38'-1 3/4"	36'-11 5/8"	30'-3 7/8"	35'-7 5/8"	36'-5 7/8"	38'-6 1/4"	16'-0 1/8"	27'-4 7/8"	42'-10 1/4"	33'-2"	24'-1 1/8"	16'-10 1/4"	13'-5 1/2"	22'-0 1/8"	15'	42'-2"	13'-4 5/8"	14'-7 3/4"	22'-10 1/4"	27'-10 1/8"	36'-1 7/8"	30'-11 1/8"	34'-4 3/4"	44'-2 5/8"	43'-4 5/8"	33'-6 7/8"	35'-4 5/8"	39'-6 3/4"	39'-10 3/4"	37'-2 3/4"	27'-6 1/8"	16'-0 1/4"	40'-9"	35'-3 5/8"	36'-10 1/4"	19'-11 1/2"	15'-5"	6'-0 1/8"	8'-4 1/8"

Date: 5/10/2022

Perimeter: 115'-5 7/8"

Drawn By: JESSE H

Area: 734.8 SQ. FT.

Scale: 1/8" = 1'-0"

Notes: - - - -



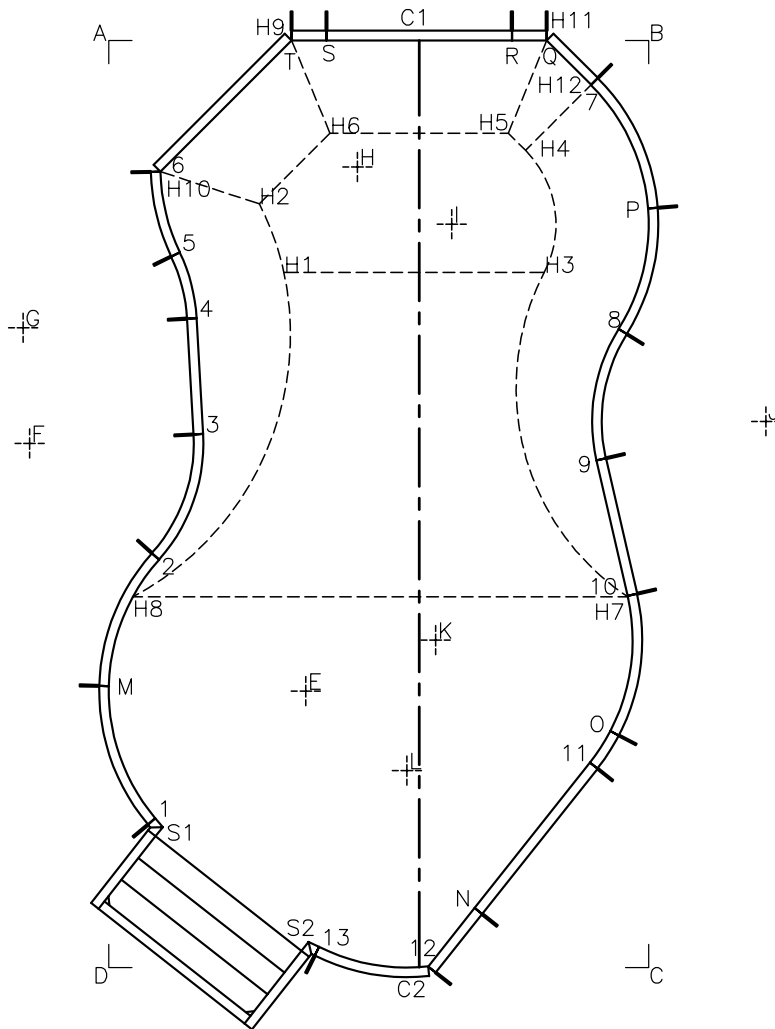
cardinalpools.com


This information is the confidential property of Cardinal Systems, Inc. Disclosure or duplication without proper written approval is strictly prohibited. Acceptance and use of this drawing constitutes knowledge and acceptance by the user of the terms and conditions set forth in the notice and warning which accompanied this drawing is incorporated herein and made part hereof and is found on Cardinal Systems, Inc's website at www.CardinalSystemsInc.com



**Pool Size:** 21' X 40'  
**Pool Shape:** MOUNTAIN LAKE **Approx Gal:** 26,856  
**Pool Number:** 2140MTLK – (STEEL)

250 Route 61 South, Schuylkill Haven, PA 17972 • 570-385-4733 • fax: 570-385-1318 • CustomerService@CardinalSystemsinc.com



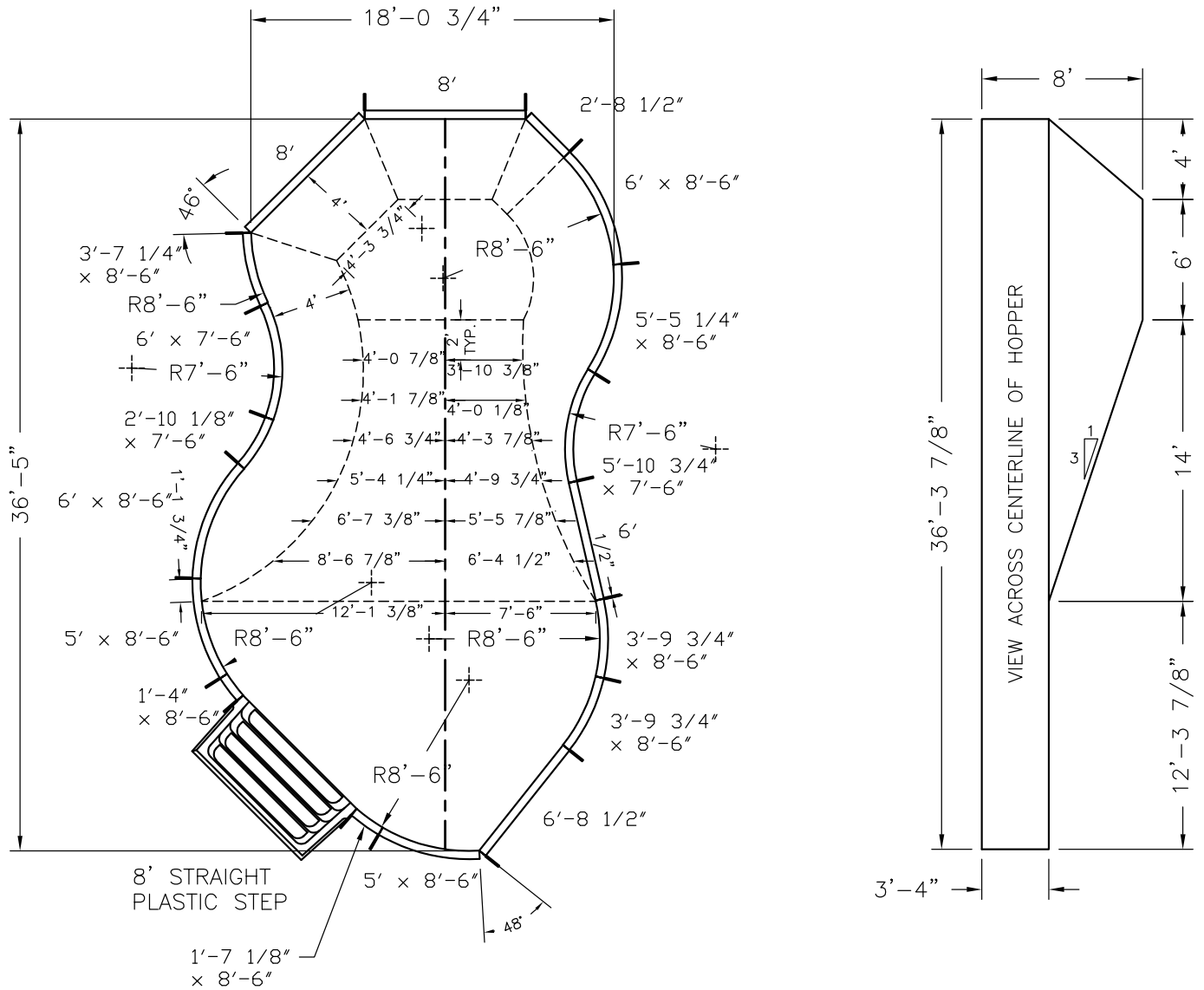
<b>Date:</b> 5/10/2022	<b>Perimeter:</b> 115'–5 7/8"	 cardinalpools.com
<b>Drawn By:</b> JESSE H	<b>Area:</b> 734.8 SQ. FT.	
<b>Scale:</b> 1/8" = 1'–0"	<b>Notes:</b> -----	


This information is the confidential property of Cardinal Systems, Inc. Disclosure or duplication without proper written approval is strictly prohibited. Acceptance and use of this drawing constitutes knowledge and acceptance by the user of the terms and conditions set forth in the notice and warning which accompanied this drawing is incorporated herein and made part hereof and is found on Cardinal Systems, Inc's website at [www.CardinalSystemsInc.com](http://www.CardinalSystemsInc.com)



**Pool Size:** 18' X 36'  
**Pool Shape:** MOUNTAIN LAKE **Approx Gal:** 20,236  
**Pool Number:** 1836MTLK – (PLASTIC)

250 Route 61 South, Schuylkill Haven, PA 17972 • 570-385-4733 • fax: 570-385-1318 • CustomerService@CardinalSystemsinc.com



<b>Date:</b> 5/10/2022	<b>Perimeter:</b> 95'-9"	 cardinalpools.com
<b>Drawn By:</b> JESSE H	<b>Area:</b> 556.3 SQ. FT.	
<b>Scale:</b> 1/8" = 1'-0"	<b>Notes:</b> -----	

This information is the confidential property of Cardinal Systems, Inc. Disclosure or duplication without proper written approval is strictly prohibited. Acceptance and use of this drawing constitutes knowledge and acceptance by the user of the terms and conditions set forth in the notice and warning which accompanied this drawing is incorporated herein and made part hereof and is found on Cardinal Systems, Inc's website at www.CardinalSystemsInc.com



**Pool Size:** 18' X 36'  
**Pool Shape:** MOUNTAIN LAKE **Approx Gal:** 20,236  
**Pool Number:** 1836MTLK – (PLASTIC)

250 Route 61 South, Schuylkill Haven, PA 17972 • 570-385-4733 • fax: 570-385-1318 • CustomerService@CardinalSystemsinc.com

### Bill of Materials

PART NO.	QUANTITY	DESCRIPTION
"A" FRAME	19	"A" FRAME ASSEMBLY
CS901GC	2	GRECIAN CORNER ANGLE
CS930WW-46	1	46° CORNER ANGLE
CS930WW-48	1	48° CORNER ANGLE
5C42140XX08600	1	1'-4" x 8'-6" Radius C PANEL W/0 Z
5C42171XX08600	1	1'-7 1/8" x 8'-6" Radius C PANEL W/0 Z
5C42396XX08600	2	3'-9 3/4" x 8'-6" Radius C PANEL W/0 Z
5C42500XX08600	2	5' x 8'-6" Radius C PANEL W/0 Z
5C42552XX08600	1	5'-5 1/4" x 8'-6" Radius C PANEL W/0 Z
5C42600XX08600	2	6' x 8'-6" Radius C PANEL W/0 Z
5C42372XX08600	1	3'-7 1/4" x 8'-6" Radius C PANEL W/0 Z
5R422T1XX07600	1	2'-10 1/8" x 7'-6" Radius R PANEL W/0 Z
5R425T6XX07600	1	5'-10 3/4" x 7'-6" Radius R PANEL W/0 Z
5R42600XX07600	1	6' x 7'-6" Radius R PANEL W/0 Z
5S42284XXX0	1	2'-8 1/2" Straight PANEL W/0 Z
5S42600XXX1	1	6' Straight PANEL W/1 Z
5S42684XXX1	1	6'-8 1/2" Straight PANEL W/1 Z
5S42800XXX2	2	8' Straight PANEL W/2 Z

**Date:** 5/10/2022

**Perimeter:** 95'-9"

**Drawn By:** JESSE H

**Area:** 556.3 SQ. FT.

**Scale:** 1/8" = 1'-0"

**Notes:** -----



cardinalpools.com

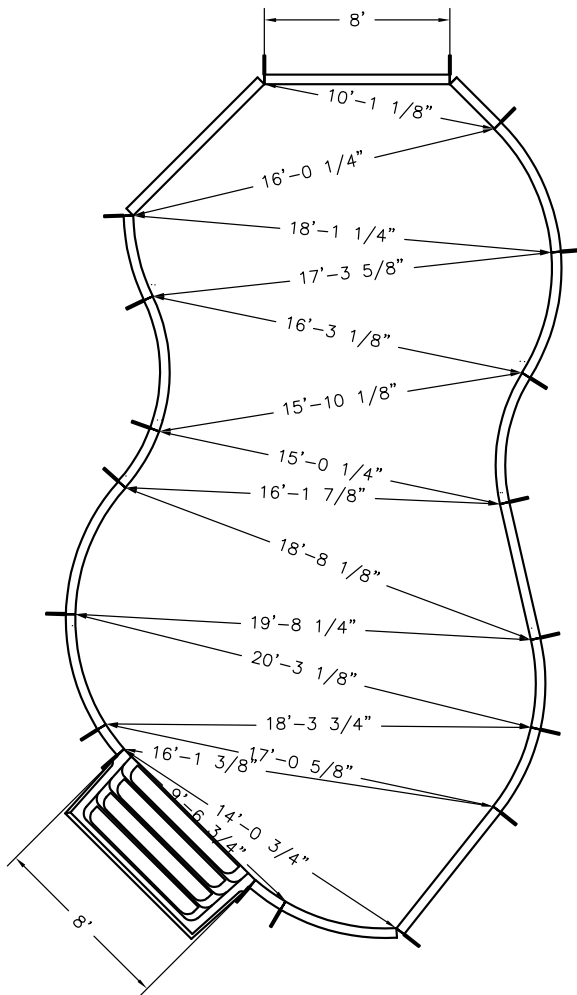
This information is the confidential property of Cardinal Systems, Inc. Disclosure or duplication without proper written approval is strictly prohibited. Acceptance and use of this drawing constitutes knowledge and acceptance by the user of the terms and conditions set forth in the notice and warning which accompanied this drawing is incorporated herein and made part hereof and is found on Cardinal Systems, Inc's website at www.CardinalSystemsInc.com





**Pool Size:** 18' X 36'  
**Pool Shape:** MOUNTAIN LAKE **Approx Gal:** 20,236  
**Pool Number:** 1836MTLK – (PLASTIC)

250 Route 61 South, Schuylkill Haven, PA 17972 • 570-385-4733 • fax: 570-385-1318 • CustomerService@CardinalSystemsinc.com



**Date:** 5/10/2022

**Perimeter:** 95'-9"

**Drawn By:** JESSE H

**Area:** 556.3 SQ. FT.

**Scale:** 1/8" = 1'-0"

**Notes:** - - - -

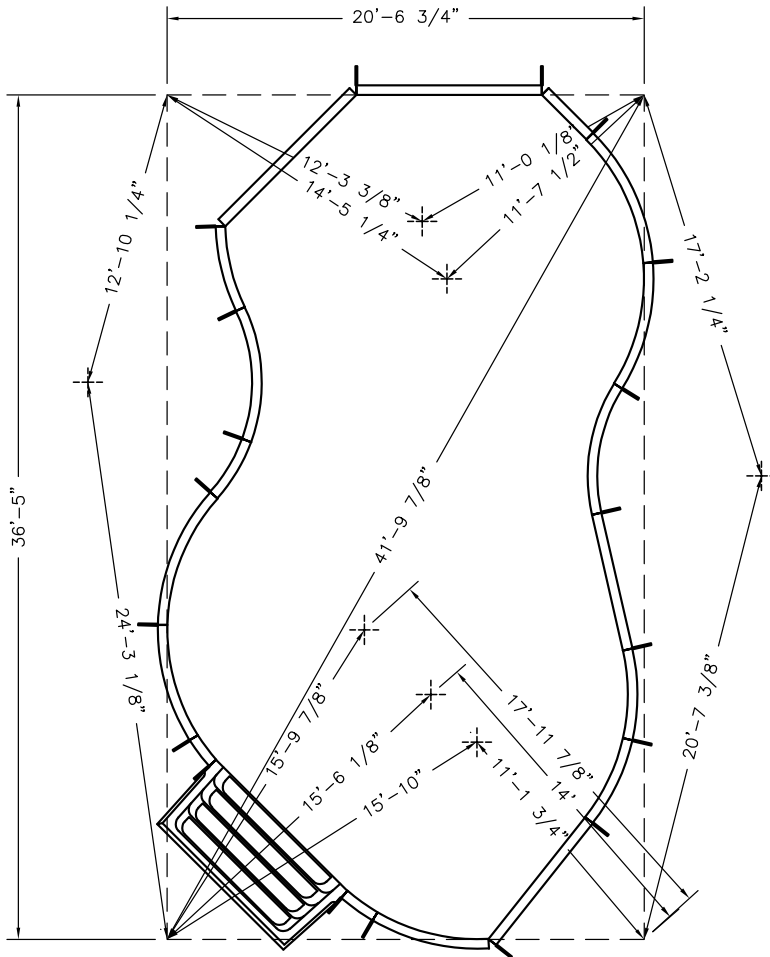


This information is the confidential property of Cardinal Systems, Inc. Disclosure or duplication without proper written approval is strictly prohibited. Acceptance and use of this drawing constitutes knowledge and acceptance by the user of the terms and conditions set forth in the notice and warning which accompanied this drawing is incorporated herein and made part hereof and is found on Cardinal Systems, Inc's website at www.CardinalSystemsInc.com



**Pool Size:** 18' X 36'  
**Pool Shape:** MOUNTAIN LAKE **Approx Gal:** 20,236  
**Pool Number:** 1836MTLK – (PLASTIC)

250 Route 61 South, Schuylkill Haven, PA 17972 • 570-385-4733 • fax: 570-385-1318 • CustomerService@CardinalSystemsinc.com



**Date:** 5/10/2022

**Drawn By:** JESSE H

**Scale:** 1/8" = 1'-0"

**Perimeter:** 95'-9"

**Area:** 556.3 SQ. FT.

**Notes:** -----



cardinalpools.com



**Pool Size:** 18' X 36'  
**Pool Shape:** MOUNTAIN LAKE **Approx Gal:** 20,236  
**Pool Number:** 1836MTLK – (PLASTIC)

250 Route 61 South, Schuylkill Haven, PA 17972 • 570-385-4733 • fax: 570-385-1318 • CustomerService@CardinalSystemsinc.com

HOPPER DIG POINTS	I-K	17'-11 3/8"	G-H5	19'-6 3/8"	I-H2	19'-4 3/8"	
POINTS	DISTANCE						
E-F	16'	J-K	16'	G-H6	19'-11 7/8"	I-H3	16'-3"
E-G	17'-9 1/2"	E-H1	1'-10 1/2"	G-H7	11'-2 1/2"	I-H4	16'-6 1/2"
E-H	22'-7"	E-H10	6'-1 3/4"	G-H8	8'-6"	I-H5	21'-5 5/8"
E-I	20'-4 7/8"	E-H11	8'-6"	G-H9	24'-3 3/4"	I-H6	22'-1"
E-J	18'-3 3/8"	E-H12	7'-10 7/8"	H-H1	24'-2 1/8"	I-H7	8'-6"
E-K	2'-8 1/4"	E-H2	4'-6 1/4"	H-H10	28'-4 3/4"	I-H8	11'-5 5/8"
F-G	16'	E-H3	5'-6 1/2"	H-H11	24'-9 1/8"	I-H9	26'-3 5/8"
F-H	22'-10 1/4"	E-H4	6'-9 5/8"	H-H12	26'-5 1/8"	K-H1	4'-6 1/4"
F-I	20'	E-H5	4'-3 5/8"	H-H2	21'-10 1/2"	K-H10	8'-10"
F-J	29'-3 3/4"	E-H6	3'-9 1/2"	H-H3	18'-9"	K-H11	9'-10"
F-K	16'-1 3/8"	E-H7	20'-5 5/8"	H-H4	18'-1 3/8"	K-H12	8'-6"
G-H	6'-10 3/8"	E-H8	21'-6 1/2"	H-H5	23'-3"	K-H2	5'-4 1/2"
G-I	4'	E-H9	7'-6 1/8"	H-H6	23'-11 1/4"	K-H3	4'-8 5/8"
G-J	18'-4 3/8"	G-H1	19'-1 3/8"	H-H7	7'-5 1/8"	K-H4	4'-6"
G-K	15'-6 3/4"	G-H10	23'-0 7/8"	H-H8	13'-10 1/2"	K-H5	4'-6"
H-I	2'-10 1/4"	G-H11	18'-5"	H-H9	28'-0 5/8"	K-H6	4'-7 1/2"
H-J	16'-9 5/8"	G-H12	23'-2 5/8"	I-H1	21'-11"	K-H7	17'-9 3/8"
H-K	20'-0 3/8"	G-H2	16'-1 3/8"	I-H10	26'-0 5/8"	K-H8	20'-0 7/8"
I-J	17'-1"	G-H3	13'-1"	I-H11	22'-0 3/4"	K-H9	8'-11"
		G-H4	15'-1 1/8"	I-H12	24'-10 3/8"		

PANEL TO HOPPER POINTS	3-H10	18'-4 3/4"	5-H3	23'-5 3/4"	7-H7	6'-0 1/2"	
POINTS	DISTANCE						
1-H1	7'-6"	3-H11	11'-8 7/8"	5-H4	21'-2 7/8"	7-H8	19'-2 1/4"
1-H10	8'	3-H12	22'-2 3/8"	5-H5	26'-6 5/8"	7-H9	18'-2 3/4"
1-H11	0"	3-H2	11'-3 7/8"	5-H6	27'-4 1/2"	8-H1	12'-8"
1-H12	16'-0 1/4"	3-H3	9'-3 3/4"	5-H7	7'-4"	8-H10	16'-8 1/8"
1-H2	4'-5 7/8"	3-H4	15'-8 7/8"	5-H8	19'-4 1/8"	8-H11	18'-1"
1-H3	6'-10 1/2"	3-H5	18'-2 3/8"	5-H9	31'-2 3/8"	8-H12	10'-7 1/8"
1-H4	14'-2 7/8"	3-H6	18'-2 1/2"	6-H1	22'-3"	8-H2	13'-7 3/8"
1-H5	12'-9 3/8"	3-H7	18'-8 3/8"	6-H10	26'-6 7/8"	8-H3	11'-8 3/8"
1-H6	12'-1 3/8"	3-H8	6'-11 1/4"	6-H11	25'-1"	8-H4	4'-0 3/8"
1-H7	25'-1 3/8"	3-H9	22'-3 7/8"	6-H12	22'-1 1/8"	8-H5	8'-8 1/4"
1-H8	18'-6"	4-H1	32'-7 3/4"	6-H2	21'-3 1/8"	8-H6	9'-8 1/4"
1-H9	14'-9 3/8"	4-H10	36'-10 1/8"	6-H3	18'-3 1/2"	8-H7	11'-6 3/4"
2-H1	8'-3 1/4"	4-H11	32'-9 1/4"	6-H4	14'-4 7/8"	8-H8	22'-5 1/8"
2-H10	10'-4"	4-H12	34'-8 7/8"	6-H5	19'-8 1/2"	8-H9	12'-9 7/8"
2-H11	3'-7"	4-H2	30'-2 1/4"	6-H6	20'-7 1/4"	9-H1	8'-6 1/4"
2-H12	16'-4 7/8"	4-H3	27'-0 7/8"	6-H7	1/2"	9-H10	10'-1 1/8"
2-H2	4'-0 1/8"	4-H4	26'-5 7/8"	6-H8	19'-7 1/4"	9-H11	16'-0 1/4"
2-H3	4'-6 7/8"	4-H5	31'-8 1/4"	6-H9	24'-2 1/2"	9-H12	0"
2-H4	12'-9"	4-H6	32'-4 7/8"	7-H1	16'-5 5/8"	9-H2	12'-5"
2-H5	12'-8 1/4"	4-H7	13'-8 1/4"	7-H10	20'-9 1/8"	9-H3	13'-0 5/8"
2-H6	12'-3 1/2"	4-H8	18'-6 5/8"	7-H11	20'-1 1/2"	9-H4	8'-4"
2-H7	22'-0 7/8"	4-H9	36'-5 5/8"	7-H12	16'-2 3/8"	9-H5	4'
2-H8	15'-2 5/8"	5-H1	28'-4 1/4"	7-H2	15'-11 3/4"	9-H6	4'-1 5/8"
2-H9	15'-8 7/8"	5-H10	32'-8"	7-H3	13'-3"	9-H7	22'-1 3/4"
3-H1	15'-5 1/8"	5-H11	29'-10 1/8"	7-H4	8'-5"	9-H8	28'-6 1/8"
		5-H12	29'-2 3/4"	7-H5	13'-8 1/2"	9-H9	2'-8 1/2"
		5-H2	26'-7 1/8"	7-H6	14'-7 3/8"		

**Date:** 5/10/2022

**Perimeter:** 95'-9"

**Drawn By:** JESSE H

**Area:** 556.3 SQ. FT.

**Scale:** 1/8" = 1'-0"

**Notes:** - - - -



cardinalpools.com

This information is the confidential property of Cardinal Systems, Inc. Disclosure or duplication without proper written approval is strictly prohibited. Acceptance and use of this drawing constitutes knowledge and acceptance by the user of the terms and conditions set forth in the notice and warning which accompanied this drawing is incorporated herein and made part hereof and is found on Cardinal Systems, Inc's website at www.CardinalSystemsInc.com




**Pool Size:** 18' X 36'  
**Pool Shape:** MOUNTAIN LAKE **Approx Gal:** 20,236  
**Pool Number:** 1836MTLK – (PLASTIC)

250 Route 61 South, Schuylkill Haven, PA 17972 • 570-385-4733 • fax: 570-385-1318 • CustomerService@CardinalSystemsinc.com

PANEL TO PANEL POINTS	POINTS	DISTANCE	3-C2	21'-4 7/8"	5-Q	21'-7 7/8"	7-S	19'-4"
			3-L	18'-4 3/4"	5-P	19'-10 1/8"	7-T	19'-5 3/4"
			3-M	22'-3 7/8"	5-Q	17'-1"	7-U	9'-8 5/8"
1-C1	11'-2 3/8"		3-N	20'-11 7/8"	5-R	16'-1 3/8"	8-C1	14'-3 7/8"
1-C2	32'-1 7/8"		3-O	2'-9 7/8"	5-S	10'-8 7/8"	8-C2	24'-11"
1-L	8'		3-P	5'-10 1/2"	5-T	9'-10 1/4"	8-L	16'-8 1/8"
1-M	14'-9 3/8"		3-Q	10'-3"	5-U	3'-9 3/8"	8-M	12'-9 7/8"
1-N	18'-1 1/4"		3-R	11'-3 3/8"	6-C1	25'-1 1/4"	8-N	5'-4 1/8"
1-O	9'-4 5/8"		3-S	17'-10"	6-C2	14'-5 5/8"	8-O	15'-10 1/8"
1-P	17'-4 5/8"		3-T	19'-1 5/8"	6-L	26'-6 7/8"	8-P	21'-10 3/4"
1-Q	21'-11 3/4"		3-U	20'-3 7/8"	6-M	24'-2 1/2"	8-Q	23'-6"
1-R	23'-0 1/4"		4-C1	36'-5 1/4"	6-N	16'-8 3/4"	8-R	23'-7 3/8"
1-S	29'-1 3/4"		4-C2	1'-8 3/8"	6-O	18'-4 1/2"	8-S	24'-8 5/8"
1-T	30'-3 3/4"		4-L	36'-10 1/8"	6-P	19'-8 1/4"	8-T	24'-11 7/8"
1-U	27'-11 1/2"		4-M	36'-5 5/8"	6-Q	18'-8 3/8"	8-U	15'-3 5/8"
2-C1	12'-8 3/8"		4-N	29'-10 7/8"	6-R	18'-2"	9-C1	6'-2 5/8"
2-C2	28'-7"		4-O	23'-8 7/8"	6-S	15'-9 1/4"	9-C2	34'-11"
2-L	10'-4"		4-P	19'-4 1/2"	6-T	15'-5 3/4"	9-L	10'-1 1/8"
2-M	15'-8 7/8"		4-Q	15'-3 3/4"	6-U	3'-9 3/8"	9-M	2'-8 1/2"
2-N	17'-3 5/8"		4-R	14'-0 3/4"	7-C1	19'-1 1/2"	9-N	5'-10 1/2"
2-O	5'-10 1/8"		4-S	6'-5 1/8"	7-C2	19'-2 3/4"	9-O	19'-5 3/4"
2-P	14'-1 1/2"		4-T	4'-11 1/8"	7-L	20'-9 1/8"	9-P	27'-8"
2-Q	18'-7"		4-U	10'-5 1/8"	7-M	18'-2 3/4"	9-Q	30'-8 1/8"
2-R	19'-6 7/8"		5-C1	31'-8 1/4"	7-N	11'-1"	9-R	31'-1 7/8"
2-S	25'-6 7/8"		5-C2	7'-10"	7-O	15'-0 1/4"	9-S	34'
2-T	26'-8 3/4"		5-L	32'-8"	7-P	18'-11"	9-T	34'-6 3/8"
2-U	24'-8 7/8"		5-M	31'-2 3/8"	7-Q	19'-5 5/8"	9-U	25'-10 3/8"
3-C1	20'-0 3/4"		5-N	24'-0 1/4"	7-R	19'-4 1/8"		

BOX POINTS		POINTS	DISTANCE	A-I	28'-3"	B-I	27'-5 3/8"	C-J	20'-7 3/8"
A-B	20'-6 3/4"	A-J	30'-5 1/4"	B-J	17'-2 1/4"	C-K	29'-8 3/4"	D-C1	38'-4 5/8"
A-C	41'-9 7/8"	A-K	14'-5 1/4"	B-K	11'-7 1/2"	D-C2	12'-2"	D-C2	12'-2"
A-C1	12'-2"	B-C	36'-5"	C-C1	37'-4 1/2"	D-E	32'-10 1/4"	D-E	32'-10 1/4"
A-C2	38'-3 3/4"	B-C1	8'-4 7/8"	C-C2	8'-4 7/8"	D-F	24'-3 1/8"	D-F	24'-3 1/8"
A-D	36'-5"	B-C2	37'-3 1/2"	C-D	20'-6 3/4"	D-G	15'-9 7/8"	D-G	15'-9 7/8"
A-E	12'-3 3/8"	B-D	41'-9 7/8"	C-E	32'-4 7/8"	D-H	15'-10"	D-H	15'-10"
A-F	12'-10 1/4"	B-E	11'-0 1/8"	C-F	33'-11 3/8"	D-H1	33'-10 3/8"	D-H1	33'-10 3/8"
A-G	24'-7"	B-F	27'	C-G	17'-11 7/8"	D-H10	37'-3 3/4"	D-H10	37'-3 3/4"
A-H	30'-11 3/8"	B-G	26'-0 3/8"	C-H	11'-1 3/4"	D-H11	30'-10 1/4"	D-H11	30'-10 1/4"
A-H1	10'-7 1/4"	B-H	28'-10"	C-H1	34'-1 3/4"	D-H12	38'-11 3/8"	D-H12	38'-11 3/8"
A-H10	8'-2"	B-H1	11'-5 5/8"	C-H10	38'-5 5/8"	D-H2	30'-1 5/8"	D-H2	30'-1 5/8"
A-H11	6'-2 1/4"	B-H10	12'-4 7/8"	C-H11	35'-8"	D-H3	27'-6 5/8"	D-H3	27'-6 5/8"
A-H12	18'-2 1/8"	B-H11	18'-11 1/8"	C-H12	34'-7"	D-H4	30'-11"	D-H4	30'-11"
A-H2	9'-9 1/4"	B-H12	3'-1 3/4"	C-H2	32'-5 1/4"	D-H5	35'-1 3/4"	D-H5	35'-1 3/4"
A-H3	12'-8 3/8"	B-H2	15'-6"	C-H3	29'-3 7/8"	D-H6	35'-6 1/8"	D-H6	35'-6 1/8"
A-H4	18'-11"	B-H3	16'-2 1/4"	C-H4	26'-9 1/2"	D-H7	23'-3 1/8"	D-H7	23'-3 1/8"
A-H5	15'-11 5/8"	B-H4	10'-11 5/8"	C-H5	32'-1 3/8"	D-H8	12'-5"	D-H8	12'-5"
A-H6	15'-0 5/8"	B-H5	7'-1 1/2"	C-H6	32'-11 3/4"	D-H9	39'-10"	D-H9	39'-10"
A-H7	31'-0 3/8"	B-H6	7'-3 1/8"	C-H7	12'-5 3/8"	D-I	15'-6 1/8"	D-I	15'-6 1/8"
A-H8	24'	B-H7	24'-0 1/4"	C-H8	23'-11 3/4"	D-J	32'-5 7/8"	D-J	32'-5 7/8"
A-H9	16'-2"	B-H8	31'-6 7/8"	C-H9	36'-8 1/8"	D-K	30'-11 1/4"	D-K	30'-11 1/4"
		B-H9	4'-4 7/8"	C-I	14'				

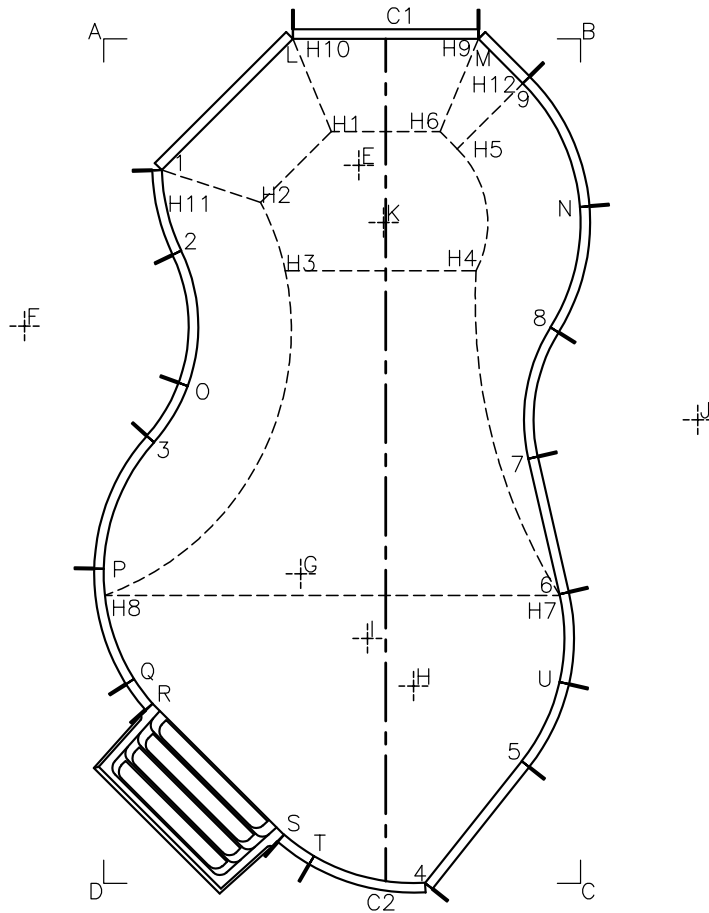
<b>Date:</b> 5/10/2022	<b>Perimeter:</b> 95'-9"	 @cardinalpools.com
<b>Drawn By:</b> JESSE H	<b>Area:</b> 556.3 SQ. FT.	
<b>Scale:</b> 1/8" = 1'-0"	<b>Notes:</b> - - - -	


This information is the confidential property of Cardinal Systems, Inc. Disclosure or duplication without proper written approval is strictly prohibited. Acceptance and use of this drawing constitutes knowledge and acceptance by the user of the terms and conditions set forth in the notice and warning which accompanied this drawing is incorporated herein and made part hereof and is found on Cardinal Systems, Inc's website at www.CardinalSystemsInc.com



**Pool Size:** 18' X 36'  
**Pool Shape:** MOUNTAIN LAKE **Approx Gal:** 20,236  
**Pool Number:** 1836MTLK – (PLASTIC)

250 Route 61 South, Schuylkill Haven, PA 17972 • 570-385-4733 • fax: 570-385-1318 • CustomerService@CardinalSystemsInc.com



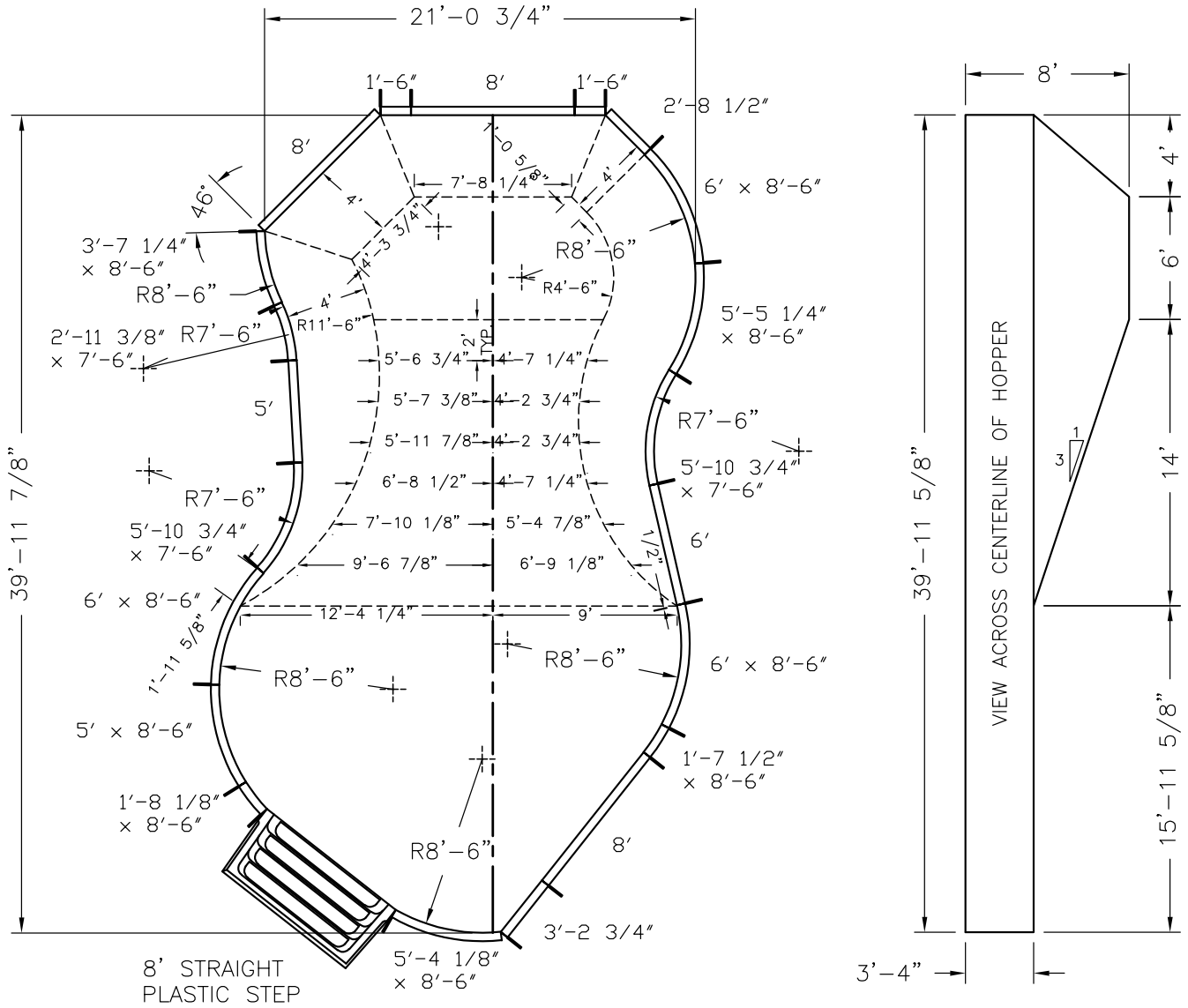
<b>Date:</b> 5/10/2022	<b>Perimeter:</b> 95'–9"	 cardinalpools.com
<b>Drawn By:</b> JESSE H	<b>Area:</b> 556.3 SQ. FT.	
<b>Scale:</b> 1/8" = 1'–0"	<b>Notes:</b> – – – –	


This Information Is the confidential property of Cardinal Systems, Inc. Disclosure or duplication without proper written approval is strictly prohibited. Acceptance and use of this drawing constitutes knowledge and acceptance by the user of the terms and conditions set forth in the notice and warning which accompanied this drawing is incorporated herein and made part hereof and is found on Cardinal Systems, Inc's website at www.CardinalSystemsInc.com



**Pool Size:** 21' X 40'  
**Pool Shape:** MOUNTAIN LAKE **Approx Gal:** 25,543  
**Pool Number:** 2140MTLK – (PLASTIC)

250 Route 61 South, Schuylkill Haven, PA 17972 • 570-385-4733 • fax: 570-385-1318 • CustomerService@CardinalSystemsinc.com



<b>Date:</b> 5/10/2022	<b>Perimeter:</b> 107'-4 1/4"	 cardinalpools.com
<b>Drawn By:</b> JESSE H	<b>Area:</b> 702.2 SQ. FT.	
<b>Scale:</b> 1/8" = 1'-0"	<b>Notes:</b> -----	

This information is the confidential property of Cardinal Systems, Inc. Disclosure or duplication without proper written approval is strictly prohibited. Acceptance and use of this drawing constitutes knowledge and acceptance by the user of the terms and conditions set forth in the notice and warning which accompanied this drawing is incorporated herein and made part hereof and is found on Cardinal Systems, Inc's website at www.CardinalSystemsInc.com




**Pool Size:** 21' X 40'  
**Pool Shape:** MOUNTAIN LAKE **Approx Gal:** 25,543  
**Pool Number:** 2140MTLK – (PLASTIC)

250 Route 61 South, Schuylkill Haven, PA 17972 • 570-385-4733 • fax: 570-385-1318 • CustomerService@CardinalSystemsinc.com

### Bill of Materials

PART NO.	QUANTITY	DESCRIPTION
"A" FRAME	22	"A" FRAME ASSEMBLY
CS901GC	3	GRECIAN CORNER ANGLE
CS930WW-46	1	46° CORNER ANGLE
5C42174XX08600	1	1'-7 1/2" x 8'-6" Radius C PANEL W/0 Z
5C42181XX08600	1	1'-8 1/8" x 8'-6" Radius C PANEL W/0 Z
5C42372XX08600	1	3'-7 1/4" x 8'-6" Radius C PANEL W/0 Z
5C42500XX08600	1	5' x 8'-6" Radius C PANEL W/0 Z
5C42541XX08600	1	5'-4 1/8" x 8'-6" Radius C PANEL W/0 Z
5C42552XX08600	1	5'-5 1/4" x 8'-6" Radius C PANEL W/0 Z
5C42600XX08600	3	6' x 8'-6" Radius C PANEL W/0 Z
5R422E3XX07600	1	2'-11 3/8" x 7'-6" Radius R PANEL W/0 Z
5R425T6XX07600	2	5'-10 3/4" x 7'-6" Radius R PANEL W/0 Z
5S42160XXX0	2	1'-6" Straight PANEL W/0 Z
5S42284XXX0	1	2'-8 1/2" Straight PANEL W/0 Z
5S42326XXX0	1	3'-2 3/4" Straight PANEL W/0 Z
5S42500XXX0	1	5' Straight PANEL W/0 Z
5S42600XXX1	1	6' Straight PANEL W/1 Z
5S42800XXX2	3	8' Straight PANEL W/2 Z

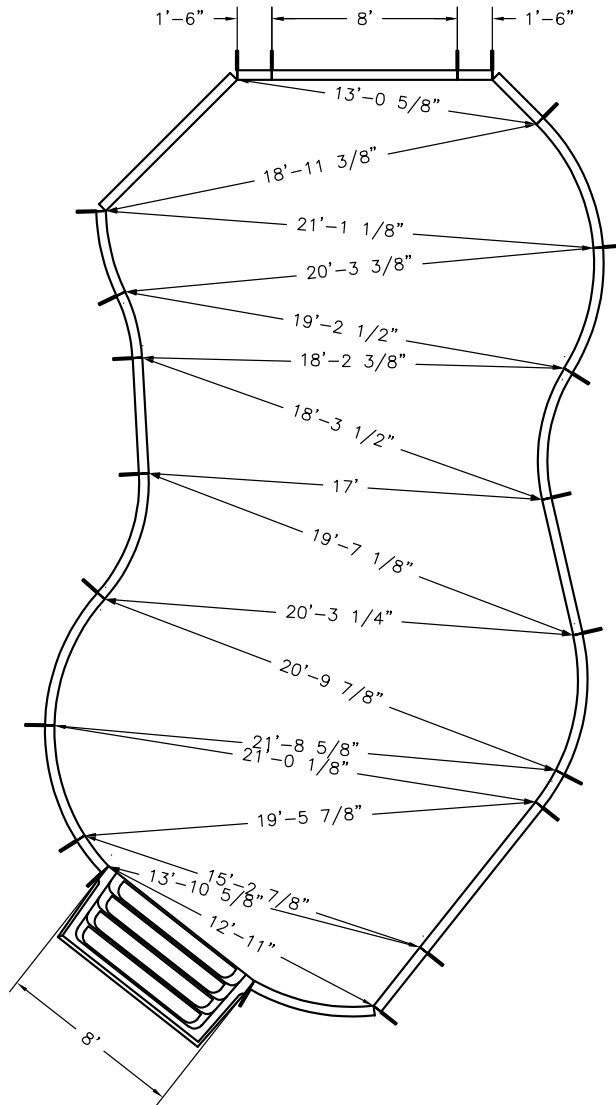
<b>Date:</b> 5/10/2022	<b>Perimeter:</b> 107'-4 1/4"	 <small>cardinalpools.com</small>
<b>Drawn By:</b> JESSE H	<b>Area:</b> 702.2 SQ. FT.	
<b>Scale:</b> 1/8" = 1'-0"	<b>Notes:</b> - - - -	

This information is the confidential property of Cardinal Systems, Inc. Disclosure or duplication without proper written approval is strictly prohibited. Acceptance and use of this drawing constitutes knowledge and acceptance by the user of the terms and conditions set forth in the notice and warning which accompanied this drawing is incorporated herein and made part hereof and is found on Cardinal Systems, Inc's website at [www.CardinalSystemsInc.com](http://www.CardinalSystemsInc.com)



**Pool Size:** 21' X 40'  
**Pool Shape:** MOUNTAIN LAKE **Approx Gal:** 25,543  
**Pool Number:** 2140MTLK – (PLASTIC)

250 Route 61 South, Schuylkill Haven, PA 17972 • 570-385-4733 • fax: 570-385-1318 • CustomerService@CardinalSystemsinc.com



**Date:** 5/10/2022

**Perimeter:** 107'-4 1/4"

**Drawn By:** JESSE H

**Area:** 702.2 SQ. FT.

**Scale:** 1/8" = 1'-0"

**Notes:** -----



cardinalpools.com

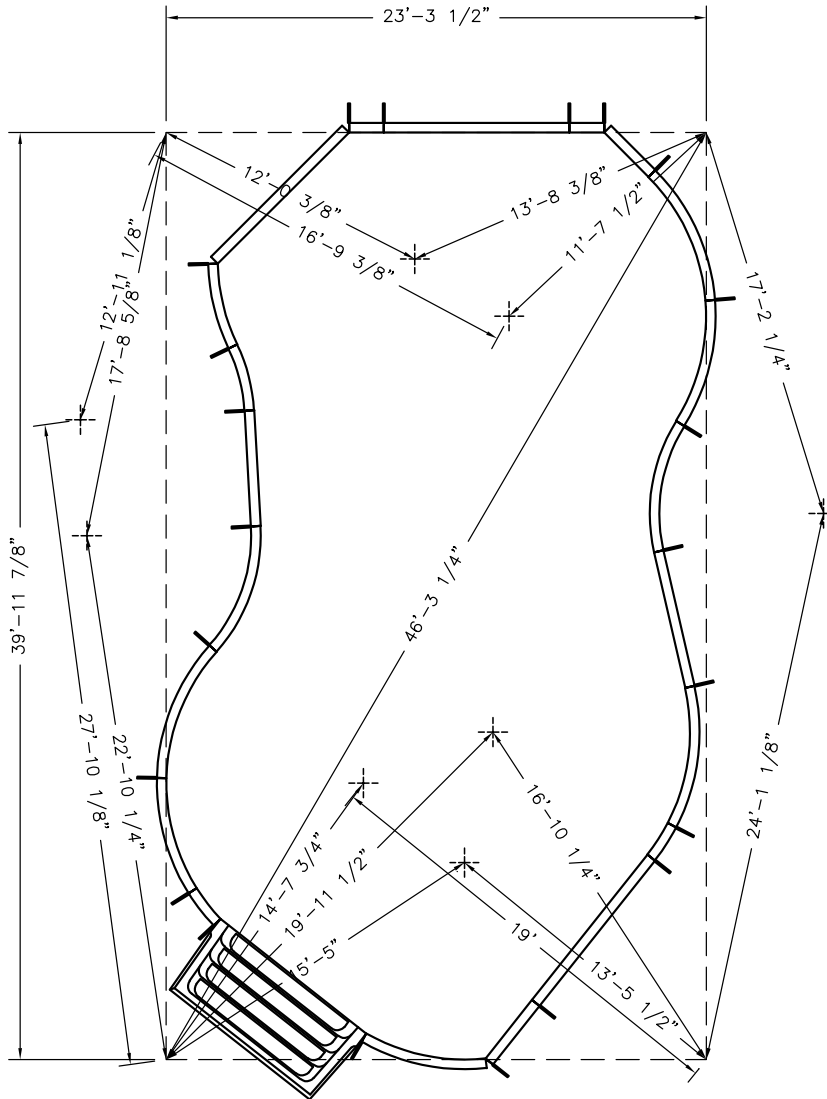
This information is the confidential property of Cardinal Systems, Inc. Disclosure or duplication without proper written approval is strictly prohibited. Acceptance and use of this drawing constitutes knowledge and acceptance by the user of the terms and conditions set forth in the notice and warning which accompanied this drawing is incorporated herein and made part hereof and is found on Cardinal Systems, Inc's website at www.CardinalSystemsInc.com





**Pool Size:** 21' X 40'  
**Pool Shape:** MOUNTAIN LAKE **Approx Gal:** 25,543  
**Pool Number:** 2140MTLK – (PLASTIC)

250 Route 61 South, Schuylkill Haven, PA 17972 • 570-385-4733 • fax: 570-385-1318 • CustomerService@CardinalSystemsinc.com



**Date:** 5/10/2022

**Perimeter:** 107'-4 1/4"

**Drawn By:** JESSE H

**Area:** 702.2 SQ. FT.

**Scale:** 1/8" = 1'-0"

**Notes:** - - - -



cardinalpools.com

This information is the confidential property of Cardinal Systems, Inc. Disclosure or duplication without proper written approval is strictly prohibited. Acceptance and use of this drawing constitutes knowledge and acceptance by the user of the terms and conditions set forth in the notice and warning which accompanied this drawing is incorporated herein and made part hereof and is found on Cardinal Systems, Inc's website at www.CardinalSystemsInc.com




**Pool Size:** 21' X 40'  
**Pool Shape:** MOUNTAIN LAKE **Approx Gal:** 25,543  
**Pool Number:** 2140MTLK – (PLASTIC)

250 Route 61 South, Schuylkill Haven, PA 17972 • 570-385-4733 • fax: 570-385-1318 • CustomerService@CardinalSystemsinc.com

HOPPER DIG POINTS	POINTS	DISTANCE	H-K	20'-6 1/4"	F-H12	24'-10 3/8"	I-H11	9'-9 3/4"
E-F	5'-9 1/8"		H-L	21'-1 1/8"	F-H2	20'-3 1/2"	I-H12	10'-8 1/8"
E-G	21'-7 1/4"		I-J	16'	F-H3	16'-6 1/2"	I-H2	4'-6 1/4"
E-H	23'-7 5/8"		I-K	18'-6"	F-H4	21'-5 5/8"	I-H3	9'-3"
E-I	26'-1 3/8"		J-L	22'-8 5/8"	F-H5	22'-1"	I-H4	7'-3 3/8"
E-J	25'-3 1/4"		J-K	5'	F-H6	22'-3 7/8"	I-H5	6'-8"
E-K	21'-6 3/8"		K-L	19'-10 1/4"	F-H7	8'-6"	I-H6	1'-10 1/2"
E-L	5'-6 1/2"		E-H1	22'-1 1/2"	F-H8	13'-2 3/8"	I-H7	21'-10 7/8"
F-G	17'-1"		E-H10	27'-11 1/8"	F-H9	26'-7 1/8"	I-H8	20'-11 1/8"
F-H	17'-11 3/8"		E-H11	32'-0 5/8"	H-H1	7'-6 1/4"	I-H9	6'-1 3/4"
F-I	20'-8 1/4"		E-H12	30'-7 3/8"	H-H10	12'-9 1/4"	L-H1	18'-1"
F-J	22'-3 3/4"		E-H2	25'-3"	H-H11	8'-11"	L-H10	23'-3 1/8"
F-K	19'-5 1/2"		E-H3	22'-3 3/8"	H-H12	8'-6"	L-H11	29'-11"
F-L	6'-0 1/8"		E-H4	27'-2 3/4"	H-H2	8'-4 1/8"	L-H12	28'-10 3/4"
G-H	16'		E-H5	27'-10"	H-H3	4'-6"	L-H2	21'-1 1/4"
G-I	20'-9 1/8"		E-H6	27'-8 1/4"	H-H4	4'-6"	L-H3	20'-9 3/8"
G-J	32'-3 1/2"		E-H7	12'-1 3/8"	H-H5	4'-7 1/2"	L-H4	25'-2"
G-K	31'-9 1/4"		E-H8	14"	H-H6	6'-6 5/8"	L-H5	25'-7 1/8"
G-L	23'		E-H9	31'-10 1/2"	H-H7	17'-9 3/8"	L-H6	24'-1"
H-I	4'-9 1/8"		F-H1	17'-1 7/8"	H-H8	21'-1 7/8"	L-H7	14'-5 5/8"
H-J	19'-0 1/8"		F-H10	23'-5 1/8"	H-H9	10'-6 1/8"	L-H8	8'-6"
			F-H11	26'-3 5/8"	I-H1	5'-6 1/2"	L-H9	28'-0 3/4"
					I-H10	8'-6"		

PANEL TO HOPPER POINTS	POINTS	DISTANCE	11-H5	23'-9 1/4"	4-H3	8'-5"	7-H12	18'-11 3/8"
1-H1	30'-6 7/8"		11-H6	19'-9 3/4"	4-H4	13'-8 1/2"	7-H2	4'-5 7/8"
1-H10	36'-2"		11-H7	20'-3 3/8"	4-H5	14'-7 3/8"	7-H3	17'-1 3/8"
1-H11	40'-3 1/8"		11-H8	1'-11 5/8"	4-H6	18'-2 3/8"	7-H4	15'-9 1/4"
1-H12	38'-8"		11-H9	23'-1 1/4"	4-H7	6'-0 1/2"	7-H5	15'-1 1/8"
1-H2	33'-8 1/8"		2-H1	24'-11 1/8"	4-H8	20'-10 1/4"	7-H6	7'-6"
1-H3	30'-4 1/4"		2-H10	31'-6 1/8"	4-H9	22'-4 1/2"	7-H7	27'-3 1/8"
1-H4	35'-5 1/4"		2-H11	31'-2 3/8"	5-H1	14'-7 5/8"	7-H8	18'-4 5/8"
1-H5	36'-1 1/4"		2-H12	29'-2 3/4"	5-H10	20'-10 3/4"	7-H9	8'
1-H6	36'-2 1/4"		2-H2	28'	5-H11	12'-9 7/8"	8-H1	4'-6 7/8"
1-H7	18'-1 3/8"		2-H3	21'-2 7/8"	5-H12	10'-7 1/8"	8-H10	3'-7"
1-H8	20'-4 3/4"		2-H4	26'-6 5/8"	5-H2	16'-4 7/8"	8-H11	18'-3 1/4"
1-H9	40'-4 3/8"		2-H5	27'-4 1/2"	5-H3	4'-0 3/8"	8-H12	19'-1 3/4"
10-H1	7'-9 1/2"		2-H6	29'-4 3/8"	5-H4	8'-8 1/4"	8-H2	4'-0 1/8"
10-H10	11'-5 1/2"		2-H7	7'-4"	5-H5	9'-8 1/4"	8-H3	15'-8 7/8"
10-H11	22'-6 1/4"		2-H8	20'-11 5/8"	5-H6	15'-0 1/2"	8-H4	15'-6 1/2"
10-H12	22'-6"		2-H9	33'-8 3/8"	5-H7	11'-6 3/4"	8-H5	15'-0 3/4"
10-H2	10'-2 1/2"		3-H1	20'-4 1/4"	5-H8	23'-11 1/4"	8-H6	8'-3 1/4"
10-H3	16'-3 3/8"		3-H10	27'-2 5/8"	5-H9	18'-9 3/4"	8-H7	24'-4 1/2"
10-H4	18'-6 1/8"		3-H11	24'-2 1/2"	6-H1	15'-6 1/4"	8-H8	15'
10-H5	18'-5 5/8"		3-H12	22'-1 1/8"	6-H10	18'-11 3/8"	8-H9	10'-4"
10-H6	14'-0 7/8"		3-H2	23'-2 3/8"	6-H11	2'-8 1/2"	9-H1	4'-3"
10-H7	19'-7 1/2"		3-H3	14'-4 7/8"	6-H12	0'	9-H10	6'-6 1/8"
10-H8	7'-7 7/8"		3-H4	19'-8 1/2"	6-H2	15'-2 3/8"	9-H11	19'-3 1/8"
10-H9	17'-4 5/8"		3-H5	20'-7 1/4"	6-H3	8'-4"	9-H12	19'-9 1/8"
11-H1	13'-6 1/8"		3-H6	23'-8 3/4"	6-H4	4'	9-H2	5'-7 3/8"
11-H10	16'-8 3/4"		3-H7	1/2"	6-H5	4'-1 5/8"	9-H3	15'-1 3/8"
11-H11	27'-11 1/4"		3-H8	21'-4 1/8"	6-H6	11'-5 3/8"	9-H4	15'-11"
11-H12	27'-8 1/8"		3-H9	28'	6-H7	22'-1 3/4"	9-H5	15'-7 1/2"
11-H2	15'-11 1/4"		4-H1	15'-8 3/4"	6-H8	29'-7 5/8"	9-H6	9'-10"
11-H3	20'-8 5/8"		4-H10	22'-6 5/8"	6-H9	13'-0 5/8"	9-H7	22'-1 3/4"
11-H4	23'-8 1/4"		4-H11	18'-2 3/4"	7-H1	6'-10 1/2"	9-H8	12'-4"
			4-H12	16'-2 3/8"	7-H10	0'	9-H9	12'-7 7/8"
			4-H2	18'-3 1/4"	7-H11	17'-7 1/8"		

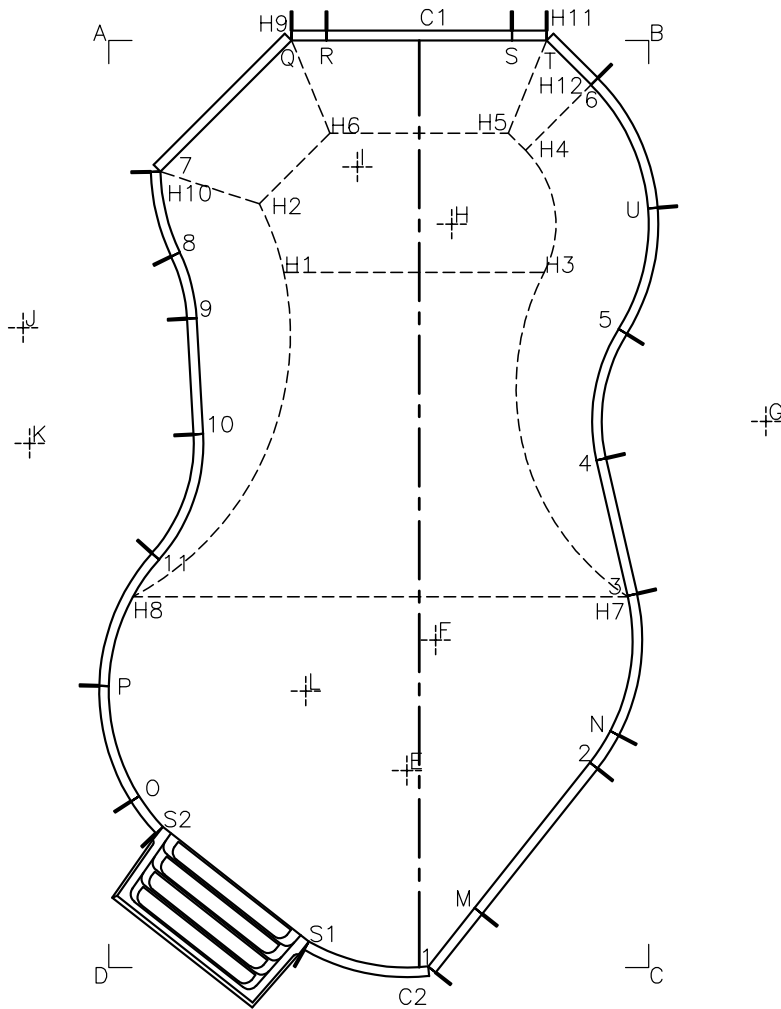
<b>Date:</b> 5/10/2022	<b>Perimeter:</b> 107'-4 1/4"	 cardinalpools.com
<b>Drawn By:</b> JESSE H	<b>Area:</b> 702.2 SQ. FT.	
<b>Scale:</b> 1/8" = 1'-0"	<b>Notes:</b> -----	
This information is the confidential property of Cardinal Systems, Inc. Disclosure or duplication without proper written approval is strictly prohibited. Acceptance and use of this drawing constitutes knowledge and acceptance by the user of the terms and conditions set forth in the notice and warning which accompanied this drawing is incorporated herein and made part hereof and is found on Cardinal Systems, Inc's website at www.CardinalSystemsInc.com		






**Pool Size:** 21' X 40'  
**Pool Shape:** MOUNTAIN LAKE **Approx Gal:** 25,543  
**Pool Number:** 2140MTLK – (PLASTIC)

250 Route 61 South, Schuylkill Haven, PA 17972 • 570-385-4733 • fax: 570-385-1318 • CustomerService@CardinalSystemsinc.com



<b>Date:</b> 5/10/2022	<b>Perimeter:</b> 107'-4 1/4"	 cardinalpools.com
<b>Drawn By:</b> JESSE H	<b>Area:</b> 702.2 SQ. FT.	
<b>Scale:</b> 1/8" = 1'-0"	<b>Notes:</b> -----	

This information is the confidential property of Cardinal Systems, Inc. Disclosure or duplication without proper written approval is strictly prohibited. Acceptance and use of this drawing constitutes knowledge and acceptance by the user of the terms and conditions set forth in the notice and warning which accompanied this drawing is incorporated herein and made part hereof and is found on Cardinal Systems, Inc's website at www.CardinalSystemsInc.com



**Pool Size:** 16' X 34'

**Pool Shape:** OASIS

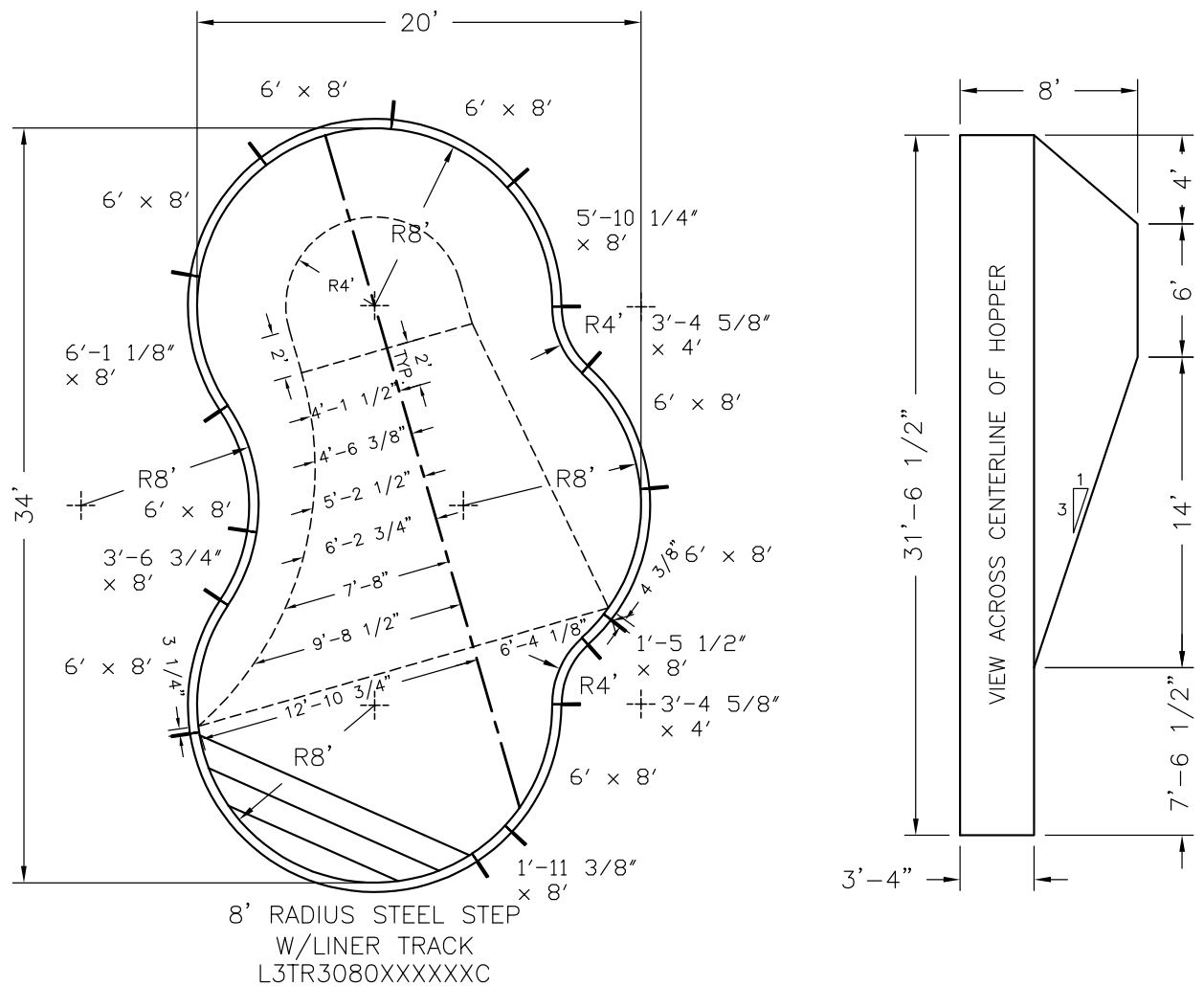
**Approx Gal:** 18,352

**Pool Number:** 1634OASIS – (STEEL)

250 Route 61 South, Schuylkill Haven, PA 17972 • 570-385-4733 • fax: 570-385-1318 • CustomerService@CardinalSystemsinc.com

## Bill of Materials

PART NO.	QUANTITY	DESCRIPTION
"A" FRAME	16	"A" FRAME ASSEMBLY
L3TR3080XXXXXXC	1	8' RADIUS STEEL STEP W/LINER TRACK
5C42154XX08000	1	1'-5 1/2" x 8' Radius C PANEL W/O Z
5C421E3XX08000	1	1'-11 3/8" x 8' Radius C PANEL W/O Z
5C425T2XX08000	1	5'-10 1/4" x 8' Radius C PANEL W/O Z
5C42600XX08000	7	6' x 8' Radius C PANEL W/O Z
5C42611XX08000	1	6'-1 1/8" x 8' Radius C PANEL W/O Z
5R42345XX04000	2	3'-4 5/8" x 4' Radius R PANEL W/O Z
5R42366XX08000	1	3'-6 3/4" x 8' Radius R PANEL W/O Z
5R42600XX08000	1	6' x 8' Radius R PANEL W/O Z



<b>Date:</b> 5/10/2022	<b>Perimeter:</b> 89'-8 1/8"	
<b>Drawn By:</b> JESSE H	<b>Area:</b> 504.5 SQ. FT.	
<b>Scale:</b> 1/8" = 1'-0"	<b>Notes:</b> -----	

This information is the confidential property of Cardinal Systems, Inc. Disclosure or duplication without proper written approval is strictly prohibited. Acceptance and use of this drawing constitutes knowledge and acceptance by the user of the terms and conditions set forth in the notice and warning which accompanied this drawing is incorporated herein and made part hereof and is found on Cardinal Systems, Inc's website at www.CardinalSystemsInc.com



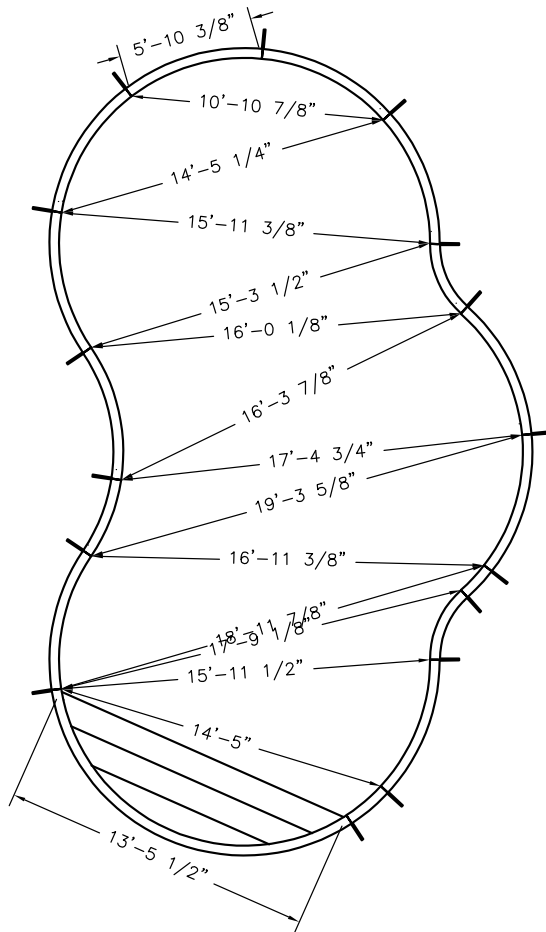
**Pool Size:** 16' X 34'

**Pool Shape:** OASIS

**Approx Gal:** 18,352

**Pool Number:** 1634OASIS – (STEEL)

250 Route 61 South, Schuylkill Haven, PA 17972 • 570-385-4733 • fax: 570-385-1318 • CustomerService@CardinalSystemsinc.com



**Date:** 5/10/2022

**Perimeter:** 89'–8 1/8"

**Drawn By:** JESSE H

**Area:** 504.5 SQ. FT.

**Scale:** 1/8" = 1'–0"

**Notes:** -----



cardinalpools.com

This information is the confidential property of Cardinal Systems, Inc. Disclosure or duplication without proper written approval is strictly prohibited. Acceptance and use of this drawing constitutes knowledge and acceptance by the user of the terms and conditions set forth in the notice and warning which accompanied this drawing is incorporated herein and made part hereof and is found on Cardinal Systems, Inc's website at www.CardinalSystemsInc.com



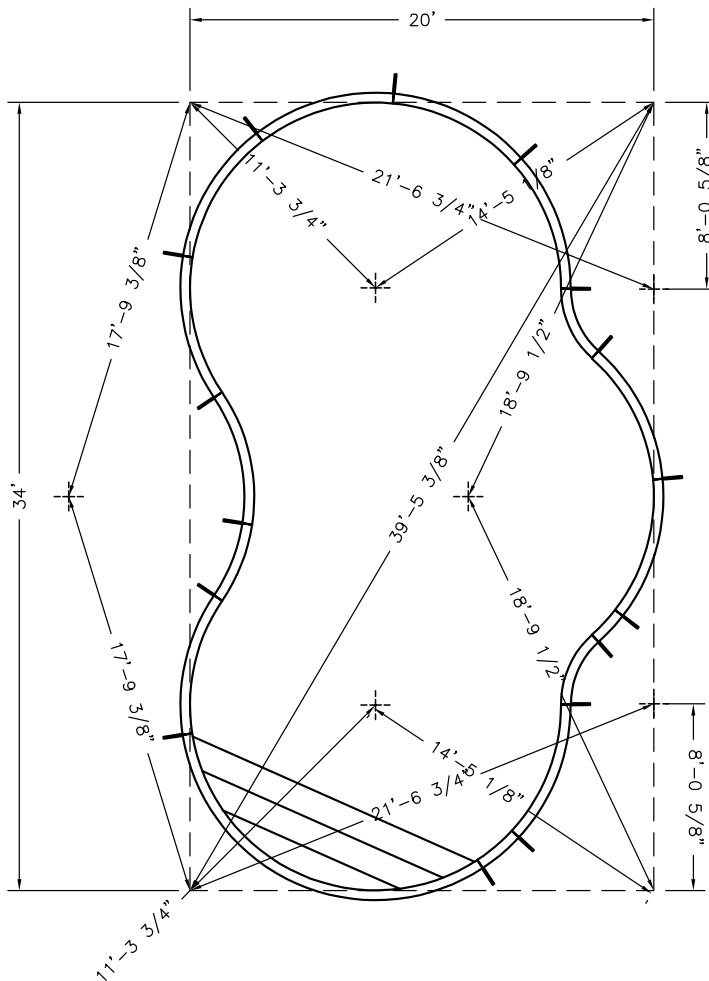
**Pool Size:** 16' X 34'

**Pool Shape:** OASIS

**Pool Number:** 1634OASIS – (STEEL)

**Approx Gal:** 18,352

250 Route 61 South, Schuylkill Haven, PA 17972 • 570-385-4733 • fax: 570-385-1318 • CustomerService@CardinalSystemsinc.com



**Date:** 5/10/2022

**Perimeter:** 89'-8 1/8"

**Drawn By:** JESSE H

**Area:** 504.5 SQ. FT.

**Scale:** 1/8" = 1'-0"

**Notes:** - - - -



cardinalpools.com

This information is the confidential property of Cardinal Systems, Inc. Disclosure or duplication without proper written approval is strictly prohibited. Acceptance and use of this drawing constitutes knowledge and acceptance by the user of the terms and conditions set forth in the notice and warning which accompanied this drawing is incorporated herein and made part hereof and is found on Cardinal Systems, Inc's website at www.CardinalSystemsInc.com



**Pool Size:** 16' X 34'

**Pool Shape:** OASIS

**Approx Gal:** 18,352

**Pool Number:** 1634OASIS – (STEEL)


250 Route 61 South, Schuylkill Haven, PA 17972 • 570-385-4733 • fax: 570-385-1318 • CustomerService@CardinalSystemsinc.com

HOPPER DIG POINTS	POINTS	DISTANCE	G-H	12'	G-H1	4'	I-H1	10'-1 3/8"
E-F	16'		G-I	9'-10 1/8"	G-H2	4'	I-H2	11'-1 1/2"
E-G	18'		G-J	21'-7"	G-H3	4'-5 5/8"	I-H3	9'-5"
E-H	21'-7"		H-I	12'	G-H4	4'-5 5/8"	I-H4	8'-2 3/8"
E-I	9'-10 1/8"		H-J	17'-10 5/8"	G-H5	20'-6 5/8"	I-H5	15'-6 1/2"
E-J	12'		I-J	12'	G-H6	17'-2 1/2"	I-H6	8'
F-G	16'		E-H1	19'-5 7/8"	H-H1	8'-2 7/8"	J-H1	20'-8 3/4"
F-H	26'-9 1/4"		E-H2	17'-3 7/8"	H-H2	15'-10 1/2"	J-H2	23'-1 3/8"
F-I	17'-2 3/4"		E-H3	15'-3 7/8"	H-H3	15'-6 7/8"	J-H3	21'-4 1/4"
F-J	26'-9 1/4"		E-H4	17'-8 7/8"	H-H4	7'-7 5/8"	J-H4	18'-8 7/8"
			E-H5	8'	H-H5	27'-5 5/8"	J-H5	19'-11 5/8"
			E-H6	11'-5"	H-H6	13'-7 5/8"	J-H6	4'-6 7/8"

PANEL TO HOPPER POINTS	POINTS	DISTANCE	2-H2	4'-4 1/2"	3-H6	13'-9 3/4"	5-H4	14'-11 7/8"
1-H1	17'-11 5/8"		2-H3	3'-7 5/8"	4-H1	6'-10 5/8"	5-H5	17'-8 3/4"
1-H2	12'-8 3/8"		2-H4	11'-7 3/8"	4-H2	13'-3 3/4"	5-H6	1'-9 3/4"
1-H3	10'-11 3/4"		2-H5	14'-6 1/8"	4-H3	12'-7 1/2"	6-H1	19'-6 1/4"
1-H4	16'-9 5/8"		2-H6	19'-5"	4-H4	5'-5"	6-H2	20'-7 1/8"
1-H5	5'-7 3/8"		3-H1	4'-3 3/4"	4-H5	23'-5 7/8"	6-H3	18'-8 5/8"
1-H6	17'-1 7/8"		3-H2	11'-10 3/4"	4-H6	10'-7 5/8"	6-H4	17'-6 3/8"
2-H1	11'-10 3/8"		3-H3	11'-8 1/8"	5-H1	16'-11 7/8"	6-H5	15'-11 5/8"
			3-H4	3'-8 1/4"	5-H2	19'-1 3/8"	6-H6	5'-0 1/2"
			3-H5	24'-8 7/8"	5-H3	17'-4 3/8"		

PANEL TO PANEL POINTS	POINTS	DISTANCE	2-M	10'-11 3/4"	3-S2	24'-10 7/8"	5-Q	20'-6 5/8"
1-C1	21'-7 5/8"		2-N	14'-5 3/4"	4-C1	15'-9 1/8"	5-P	7'-2 1/4"
1-C2	16'		2-O	15'-11 5/8"	4-C2	19'-9 1/4"	5-Q	1'-5 1/2"
1-K	3'-6 3/8"		2-P	18'-11 1/2"	4-K	16'-3 7/8"	5-R	9'-1 3/4"
1-L	14'-10 3/8"		2-Q	19'-4 1/2"	4-L	17'-9 1/8"	5-S1	17'-9 1/8"
1-M	19'-11"		2-R	22'-8 1/8"	4-M	17'-0 3/8"	5-S2	10'-10 7/8"
1-N	22'-8 1/4"		2-S1	14'-9 1/4"	4-N	13'-11 1/2"	6-C1	27'-7 3/8"
1-O	22'-7 3/4"		2-S2	22'-11 7/8"	4-O	9'	6-C2	4'-10 1/2"
1-P	19'-3 5/8"		3-C1	12'-9 3/4"	4-P	5'-10 3/8"	6-K	15'-4 7/8"
1-Q	16'-11 3/8"		3-C2	22'-7 1/2"	4-Q	10'-10 7/8"	6-L	24'-11 3/4"
1-R	15'-11 1/2"		3-K	16'-9 1/8"	4-R	20'-8 1/8"	6-M	27'-6"
1-S1	5'-10 3/8"		3-L	15'-11 3/8"	4-S1	23'-7 3/4"	6-N	26'-11 1/8"
1-S2	15'-8 3/8"		3-M	14'-4 1/2"	4-S2	22'-2 3/8"	6-O	23'-4 3/8"
2-C1	12'-11 1/2"		3-N	10'-9 5/8"	5-C1	25'-5 1/8"	6-P	10'-5 5/8"
2-C2	22'-4 5/8"		3-O	5'-8 3/4"	5-C2	8'-1 3/4"	6-Q	4'-8 1/4"
2-K	5'-10 3/8"		3-P	9'-1 3/4"	5-K	15'-4 7/8"	6-R	5'-10 3/8"
2-L	5'-10 3/8"		3-Q	14'-0 5/8"	5-L	23'-8 3/8"	6-S1	15'-11 1/2"
			3-R	23'-5 7/8"	5-M	25'-7 1/4"	6-S2	7'-7 1/2"
			3-S1	24'-11"	5-N	24'-5 3/4"		

BOX POINTS	POINTS	DISTANCE	A-J	32'-9 1/8"	B-S1	33'-8 5/8"	D-C1	34'-2 1/8"
A-B	20'		A-S1	27'-2 5/8"	B-S2	33'-6 5/8"	D-C2	14'-11 1/8"
A-C	39'-5 3/8"		A-S2	34'-11 1/2"	C-C1	36'-6 3/4"	D-E	11'-3 3/4"
A-C1	5'-9 1/2"		B-C	34'	C-C2	6'-5 1/8"	D-F	17'-9 3/8"
A-C2	33'-10 5/8"		B-C1	14'-2 3/4"	C-D	20'	D-G	27'-2 3/8"
A-D	34'		B-C2	31'-1 1/8"	C-E	14'-5 1/8"	D-H	32'-9 1/8"
A-E	27'-2 3/8"		B-D	39'-5 3/8"	C-F	30'-5"	D-H1	29'-7"
A-F	17'-9 3/8"		B-E	28'-7 5/8"	C-G	28'-7 5/8"	D-H2	25'-2 3/4"
A-G	11'-3 3/4"		B-F	30'-5"	C-H	25'-11 3/8"	D-H3	23'-5 3/8"
A-H	21'-6 3/4"		B-G	14'-5 1/8"	C-H1	28'-3 3/4"	D-H4	28'-0 7/8"
A-H1	13'-8 3/8"		B-H	8'-0 5/8"	C-H2	29'-6"	D-H5	7'-0 5/8"
A-H2	10'-0 1/8"		B-H1	10'-8 1/8"	C-H3	27'-7 1/8"	D-H6	22'-3 5/8"
A-H3	12'		B-H2	18'-3 1/4"	C-H4	26'-3 3/4"	D-I	20'-9 3/4"
A-H4	15'-2 1/2"		B-H3	18'-10 1/4"	C-H5	21'-1 7/8"	D-J	21'-6 3/4"
A-H5	26'-11 3/8"		B-H4	11'-7 5/8"	C-H6	12'-5 3/4"	D-S1	6'-9 3/8"
A-H6	28'-5 5/8"		B-H5	33'-6 3/8"	C-I	18'-9 1/2"	D-S2	12'-5 5/8"
A-I	20'-9 3/4"		B-H6	21'-7 7/8"	C-J	8'-0 5/8"		
			B-I	18'-9 1/2"	C-S1	21'-0 3/8"		
			B-J	25'-11 3/8"	C-S2	7'-8 5/8"		

<b>Date:</b> 5/10/2022	<b>Perimeter:</b> 89'-8 1/8"	 <small>cardinalpools.com</small>
<b>Drawn By:</b> JESSE H	<b>Area:</b> 504.5 SQ. FT.	
<b>Scale:</b> 1/8" = 1'-0"	<b>Notes:</b> - - - -	
<small>This information is the confidential property of Cardinal Systems, Inc. Disclosure or duplication without proper written approval is strictly prohibited. Acceptance and use of this drawing constitutes knowledge and acceptance by the user of the terms and conditions set forth in the notice and warning which accompanied this drawing is incorporated herein and made part hereof and is found on Cardinal Systems, Inc's website at www.CardinalSystemsInc.com</small>		





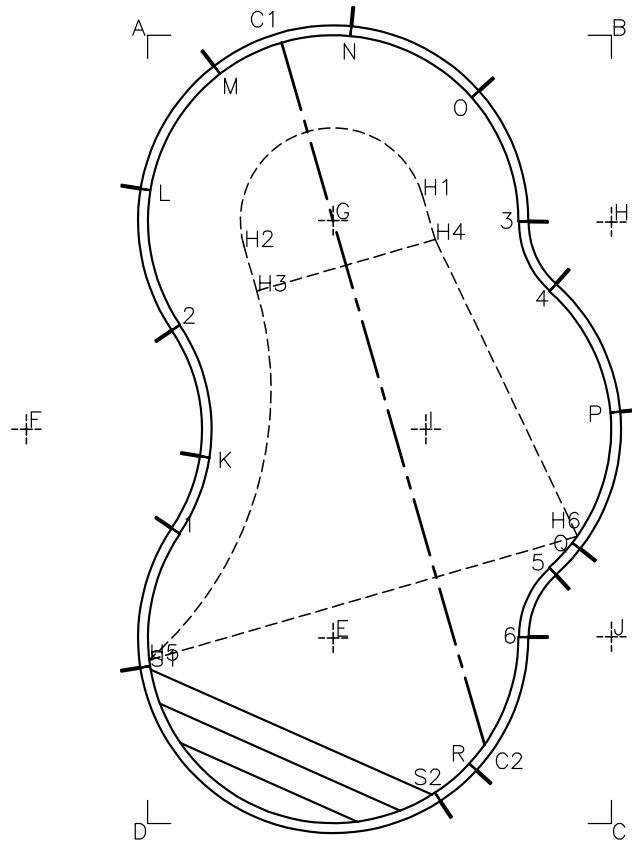
**Pool Size:** 16' X 34'

**Pool Shape:** OASIS

**Pool Number:** 1634OASIS – (STEEL)

**Approx Gal:** 18,352

250 Route 61 South, Schuylkill Haven, PA 17972 • 570-385-4733 • fax: 570-385-1318 • CustomerService@CardinalSystemsInc.com



**Date:** 5/10/2022

**Perimeter:** 89'–8 1/8"

**Drawn By:** JESSE H

**Area:** 504.5 SQ. FT.

**Scale:** 1/8" = 1'–0"

**Notes:** – – – –



cardinalpools.com

This information is the confidential property of Cardinal Systems, Inc. Disclosure or duplication without proper written approval is strictly prohibited. Acceptance and use of this drawing constitutes knowledge and acceptance by the user of the terms and conditions set forth in the notice and warning which accompanied this drawing is incorporated herein and made part hereof and is found on Cardinal Systems, Inc's website at www.CardinalSystemsInc.com



**Pool Size:** 18' X 36'

**Pool Shape:** OASIS

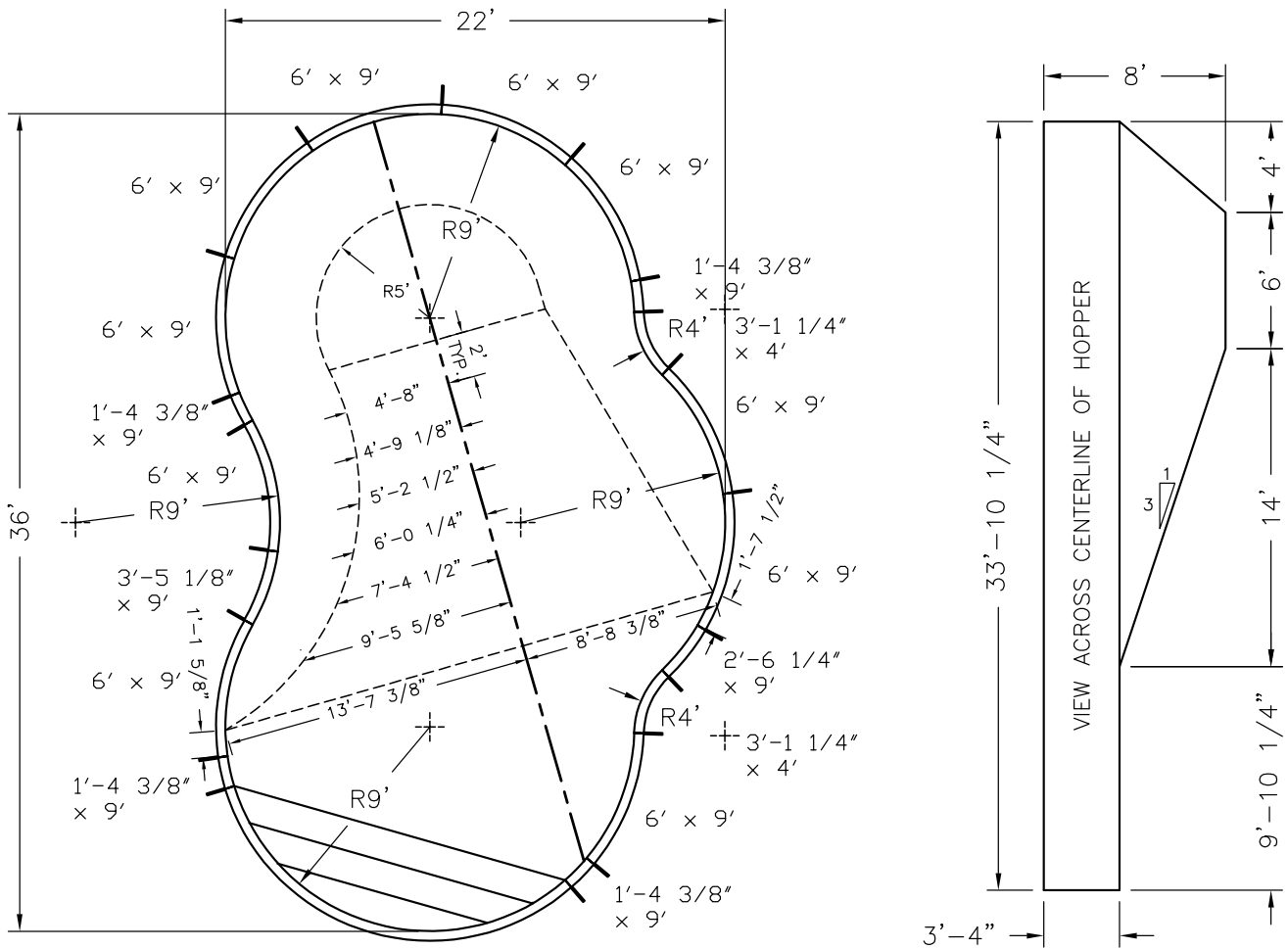
**Approx Gal:** 21,818

**Pool Number:** 18360ASIS – (STEEL)


250 Route 61 South, Schuylkill Haven, PA 17972 • 570-385-4733 • fax: 570-385-1318 • CustomerService@CardinalSystemsinc.com

Bill of Materials

PART NO.	QUANTITY	DESCRIPTION
"A" FRAME	19	"A" FRAME ASSEMBLY
L3TR3090XXXXXXC	1	9' RADIUS STEEL STEP W/LINER TRACK
5C42143XX09000	4	1'-4 3/8" x 9' Radius C PANEL W/0 Z
5C42262XX09000	1	2'-6 1/4" x 9' Radius C PANEL W/0 Z
5C42600XX09000	9	6' x 9' Radius C PANEL W/0 Z
5R42312XX04000	2	3'-1 1/4" x 4' Radius R PANEL W/0 Z
5R42351XX09000	1	3'-5 1/8" x 9' Radius R PANEL W/0 Z
5R42600XX09000	1	6' x 9' Radius R PANEL W/0 Z



9' RADIUS STEEL STEP  
W/LINER TRACK  
L3TR3090XXXXXXC

<b>Date:</b> 5/10/2022	<b>Perimeter:</b> 95'-7 1/4"	 cardinalpools.com
<b>Drawn By:</b> JESSE H	<b>Area:</b> 599.8 SQ. FT.	
<b>Scale:</b> 1/8" = 1'-0"	<b>Notes:</b> -----	

This information is the confidential property of Cardinal Systems, Inc. Disclosure or duplication without proper written approval is strictly prohibited. Acceptance and use of this drawing constitutes knowledge and acceptance by the user of the terms and conditions set forth in the notice and warning which accompanied this drawing is incorporated herein and made part hereof and is found on Cardinal Systems, Inc's website at www.CardinalSystemsInc.com



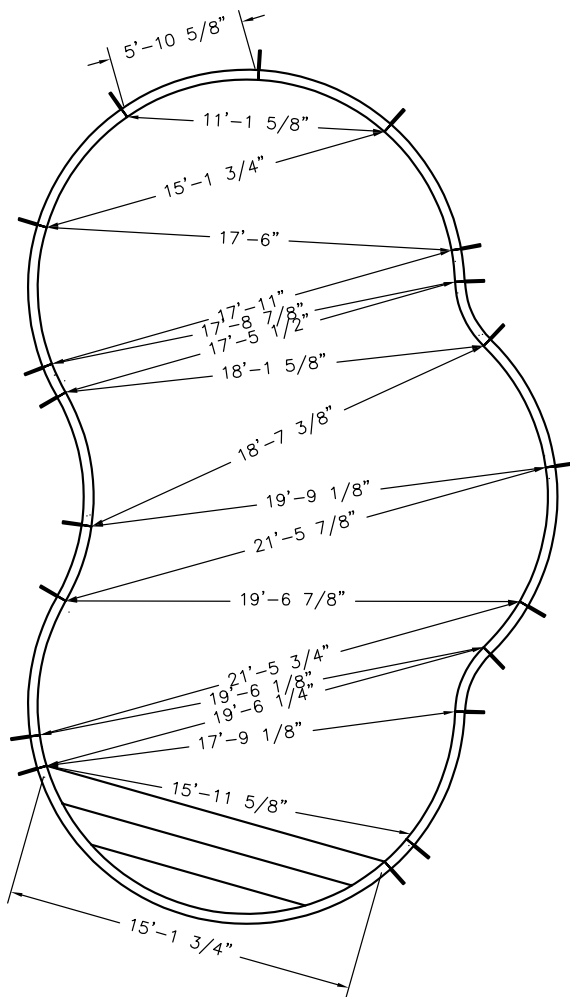
**Pool Size:** 18' X 36'

**Pool Shape:** OASIS

**Approx Gal:** 21,818

**Pool Number:** 1836OASIS – (STEEL)

250 Route 61 South, Schuylkill Haven, PA 17972 • 570-385-4733 • fax: 570-385-1318 • CustomerService@CardinalSystemsinc.com



**Date:** 5/10/2022

**Perimeter:** 95'-7 1/4"

**Drawn By:** JESSE H

**Area:** 599.8 SQ. FT.

**Scale:** 1/8" = 1'-0"

**Notes:** - - - -



cardinalpools.com

This information is the confidential property of Cardinal Systems, Inc. Disclosure or duplication without proper written approval is strictly prohibited. Acceptance and use of this drawing constitutes knowledge and acceptance by the user of the terms and conditions set forth in the notice and warning which accompanied this drawing is incorporated herein and made part hereof and is found on Cardinal Systems, Inc's website at www.CardinalSystemsInc.com



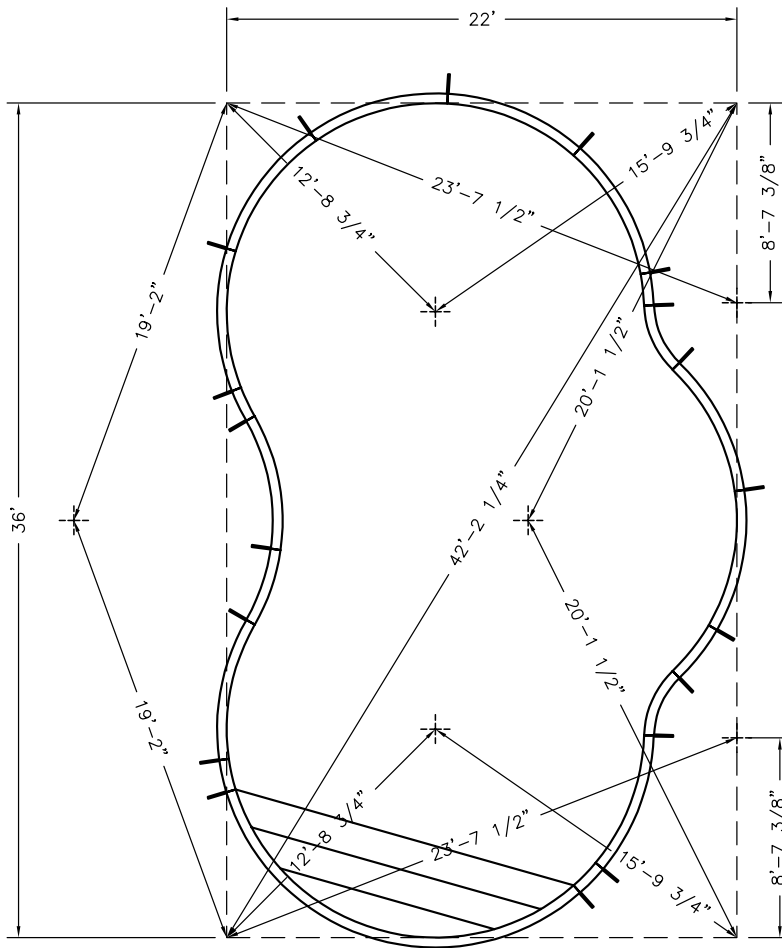
**Pool Size:** 18' X 36'

**Pool Shape:** OASIS

**Approx Gal:** 21,818

**Pool Number:** 18360ASIS – (STEEL)

250 Route 61 South, Schuylkill Haven, PA 17972 • 570-385-4733 • fax: 570-385-1318 • CustomerService@CardinalSystemsinc.com



**Date:** 5/10/2022

**Drawn By:** JESSE H

**Scale:** 1/8" = 1'-0"

**Perimeter:** 95'-7 1/4"

**Area:** 599.8 SQ. FT.

**Notes:** -----



cardinalpools.com

This information is the confidential property of Cardinal Systems, Inc. Disclosure or duplication without proper written approval is strictly prohibited. Acceptance and use of this drawing constitutes knowledge and acceptance by the user of the terms and conditions set forth in the notice and warning which accompanied this drawing is incorporated herein and made part hereof and is found on Cardinal Systems, Inc's website at www.CardinalSystemsInc.com



**Pool Size:** 18' X 36'

**Pool Shape:** OASIS

**Approx Gal:** 21,818

**Pool Number:** 1836OASIS – (STEEL)

250 Route 61 South, Schuylkill Haven, PA 17972 • 570-385-4733 • fax: 570-385-1318 • CustomerService@CardinalSystemsinc.com

HOPPER DIG POINTS	F-J	30'-1"	E-H5	9'	H-H1	8'-2 7/8"	
POINTS	DISTANCE						
E-F	13'	G-H	13'	F-H1	21'-4 5/8"	H-H2	17'-7 5/8"
E-G	9'-10 1/8"	G-I	9'-10 1/8"	F-H2	23'-8 5/8"	H-H3	7'-10 7/8"
E-H	22'-6 1/8"	G-J	19'-7"	F-H3	20'-4 5/8"	H-H4	12'-5 3/8"
F-I	18'	H-I	13'	F-H4	6'-4 1/4"	H-H5	28'-9 1/8"
F-J	18'	H-J	30'-1"	F-H5	21'-11 7/8"	I-H1	5'
F-H	18'-9 1/4"	I-J	18'	G-H1	10'-4 3/4"	I-H2	5'
F-I	22'-6 1/8"	E-H1	19'-11 1/2"	G-H2	10'-9 1/4"	I-H3	5'-1 1/4"
		E-H2	16'-3 3/4"	G-H3	9'-5 5/8"	I-H4	17'-4 1/8"
		E-H3	19'-1 1/8"	G-H4	9'	I-H5	20'-3 1/8"
		E-H4	13'-9 3/4"	G-H5	15'-10 3/4"		

PANEL TO HOPPER POINTS	2-H2	19'-8 3/4"	4-H1	4'-3 7/8"	5-H5	13'-8 3/8"	
POINTS	DISTANCE						
1-H1	20'-0 7/8"	2-H3	16'-8 1/2"	4-H2	13'-8 1/8"	6-H1	19'-5 7/8"
1-H2	20'-10 3/8"	2-H4	4'-1 1/4"	4-H3	3'-11"	6-H2	11'-8 1/4"
1-H3	19'-0 7/8"	2-H5	19'-4 7/8"	4-H4	12'-9 5/8"	6-H3	18'-11 3/8"
1-H4	7'-1 3/8"	3-H1	6'-7 7/8"	4-H5	25'-9"	6-H4	20'-3 3/4"
1-H5	18'	3-H2	14'-8"	5-H1	13'-10 7/8"	6-H5	4'-9 5/8"
2-H1	17'-8 1/2"	3-H3	5'-10 7/8"	5-H2	4'-0 1/8"		
		3-H4	9'-9 3/4"	5-H3	13'-9 3/8"		
		3-H5	24'-9 1/2"	5-H4	21'-7 1/2"		

PANEL TO PANEL POINTS	2-P	22'-7 3/4"	4-C1	14'-2 3/8"	5-R	7'-1 7/8"	
POINTS	DISTANCE						
1-C1	29'-3 1/8"	2-P	26'-4 1/8"	4-C2	24'-3 3/8"	5-S	1'-4 1/4"
1-C2	6'-0 3/4"	2-Q	27'-6 3/4"	4-K	24'-1 5/8"	5-S1	24'-5 3/4"
1-K	5'-10 5/8"	2-R	26'-1 5/8"	4-L	14'-0 7/8"	5-S2	16'-1 1/2"
1-L	5'-6"	2-S	22'-3 1/8"	4-M	8'-11"	5-T	5'-10 5/8"
1-M	11'-2 3/4"	2-S1	10'-2 1/4"	4-N	1'-4 1/4"	5-U	14'-9 7/8"
1-N	19'-10 5/8"	2-S2	19'-6 1/4"	4-O	7'-1 7/8"	6-C1	22'-9 1/2"
1-O	25'-2 3/8"	2-T	17'-8 3/8"	4-P	12'-2"	6-C2	17'-11"
1-P	28'-6 1/2"	2-U	19'-6 1/8"	4-Q	15'-10"	6-K	17'-11 1/4"
1-Q	29'-3 1/2"	3-C1	16'-10 3/4"	4-R	17'-9 1/8"	6-L	19'-6 7/8"
1-R	27'-3 3/4"	3-C2	21'-8 1/8"	4-S	17'-8 7/8"	6-M	21'-5 7/8"
1-S	22'-11 3/8"	3-K	21'-6 3/8"	4-S1	25'-2 3/8"	6-N	22'-5 7/8"
1-S1	7'-1 7/8"	3-L	11'-1 5/8"	4-S2	27'-3 3/4"	6-O	24'-5 3/4"
1-S2	17'-9 1/8"	3-M	5'-10 5/8"	4-T	18'-10 3/4"	6-P	23'-11 5/8"
1-T	17'-7 1/8"	3-N	4'-4 1/8"	4-U	26'-6 1/8"	6-Q	21'-0 1/2"
1-U	17'-11 1/4"	3-O	10'-2 1/4"	5-C1	14'-2 3/8"	6-R	16'-1 1/2"
2-C1	27'-3 3/8"	3-P	15'-0 1/2"	5-C2	24'-3 3/8"	6-S	10'-2 7/8"
2-C2	9'-1"	3-Q	18'-3 3/8"	5-K	24'-2 7/8"	6-S1	17'-9 1/8"
2-K	8'-11"	3-R	19'-6 1/4"	5-L	21'-6 5/8"	6-S2	7'-1 7/8"
2-L	2'-6 1/8"	3-S	18'-7 1/2"	5-M	20'-11 1/2"	6-T	3'-4 7/8"
2-M	8'-2 1/2"	3-S1	22'-7 3/4"	5-N	17'-8 7/8"	6-U	5'-10 5/8"
2-N	17'-2"	3-S2	26'-1 5/8"	5-O	17'-9 1/8"		
		3-T	18'-7 3/8"	5-P	15'-10"		
		3-U	25'-5 3/8"	5-Q	12'-2"		

BOX POINTS	A-J	19'-2"	B-S1	34'-5 5/8"	D-C1	36'-3"	
POINTS	DISTANCE						
A-B	22'	A-S1	36'-11"	B-S2	36'-7 7/8"	D-C2	16'-1"
A-C	42'-2 1/4"	A-S2	29'-7 3/8"	C-C1	38'-10 3/8"	D-E	12'-8 3/4"
A-C1	6'-6 5/8"	B-C	36'	C-C2	6'-11 1/4"	D-F	23'-7 1/2"
A-C2	36'-6"	B-C1	15'-5 1/2"	C-D	22'	D-G	22'-2 1/2"
A-D	36'	B-C2	33'-5 7/8"	C-E	15'-9 3/4"	D-H	35'-1 1/2"
A-E	28'-5 1/2"	B-D	42'-2 1/4"	C-F	8'-7 3/8"	D-H1	31'-6 5/8"
A-F	35'-1 1/2"	B-E	29'-11 5/8"	C-G	20'-1 1/2"	D-H2	25'-1 3/8"
A-G	22'-2 1/2"	B-F	27'-4 5/8"	C-H	27'-4 5/8"	D-H3	30'-9 3/4"
A-H	23'-7 1/2"	B-G	20'-1 1/2"	C-H1	29'-6 1/4"	D-H4	26'-1 7/8"
A-H1	15'-9 3/8"	B-H	8'-7 3/8"	C-H2	30'-2 7/8"	D-H5	8'-10 1/4"
A-H2	12'-2 1/4"	B-H1	11'-2 3/8"	C-H3	28'-6 1/4"	D-I	28'-5 1/2"
A-H3	16'-6"	B-H2	20'-9 3/8"	C-H4	14'-11 1/2"	D-J	19'-2"
A-H4	30'-0 3/4"	B-H3	11'-8 1/4"	C-H5	23'-8 1/2"	D-S1	15'-1 1/2"
A-H5	27'-1 3/4"	B-H4	21'-0 3/4"	C-I	29'-11 5/8"	D-S2	6'-4 7/8"
A-I	12'-8 3/4"	B-H5	34'-11 1/4"	C-J	33'-9 3/8"		
		B-I	15'-9 3/4"	C-S1	7'-4 3/4"		
		B-J	33'-9 3/8"	C-S2	22'-6 1/2"		

**Date:** 5/10/2022

**Perimeter:** 95'-7 1/4"

**Drawn By:** JESSE H

**Area:** 599.8 SQ. FT.

**Scale:** 1/8" = 1'-0"

**Notes:** - - - -



cardinalposts.com

This information is the confidential property of Cardinal Systems, Inc. Disclosure or duplication without proper written approval is strictly prohibited. Acceptance and use of this drawing constitutes knowledge and acceptance by the user of the terms and conditions set forth in the notice and warning which accompanied this drawing is incorporated herein and made part hereof and is found on Cardinal Systems, Inc's website at www.CardinalSystemsInc.com



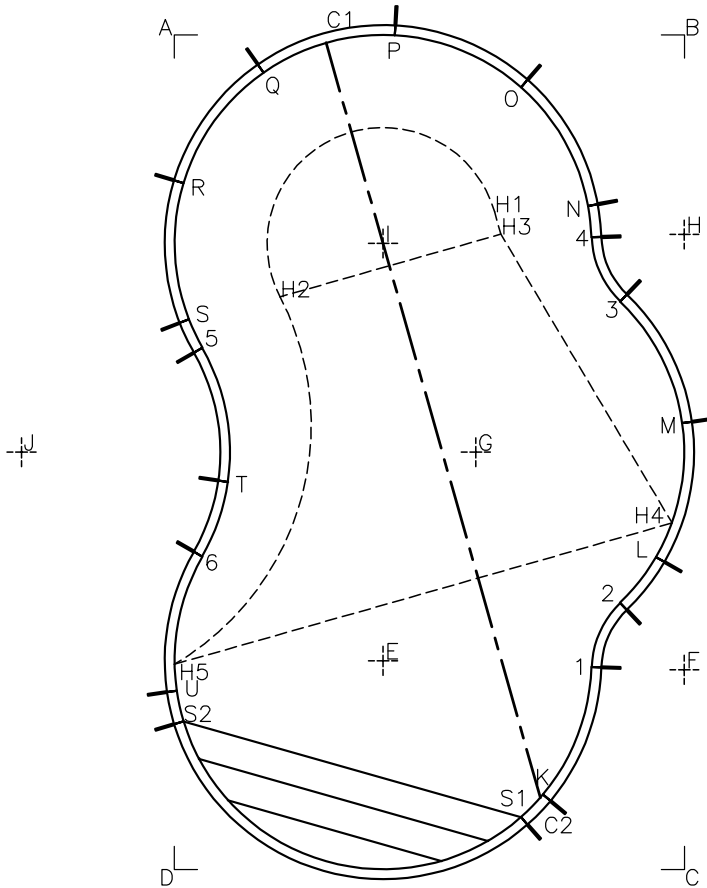
**Pool Size:** 18' X 36'

**Pool Shape:** OASIS

**Approx Gal:** 21,818

**Pool Number:** 1836OASIS – (STEEL)

250 Route 61 South, Schuylkill Haven, PA 17972 • 570-385-4733 • fax: 570-385-1318 • CustomerService@CardinalSystemsinc.com



**Date:** 5/10/2022

**Perimeter:** 95' - 7 1/4"

**Drawn By:** JESSE H

**Area:** 599.8 SQ. FT.

**Scale:** 1/8" = 1'-0"

**Notes:** - - - -



cardinalpools.com

This information is the confidential property of Cardinal Systems, Inc. Disclosure or duplication without proper written approval is strictly prohibited. Acceptance and use of this drawing constitutes knowledge and acceptance by the user of the terms and conditions set forth in the notice and warning which accompanied this drawing is incorporated herein and made part hereof and is found on Cardinal Systems, Inc's website at www.CardinalSystemsInc.com



**Pool Size:** 18' X 38'

**Pool Shape:** OASIS

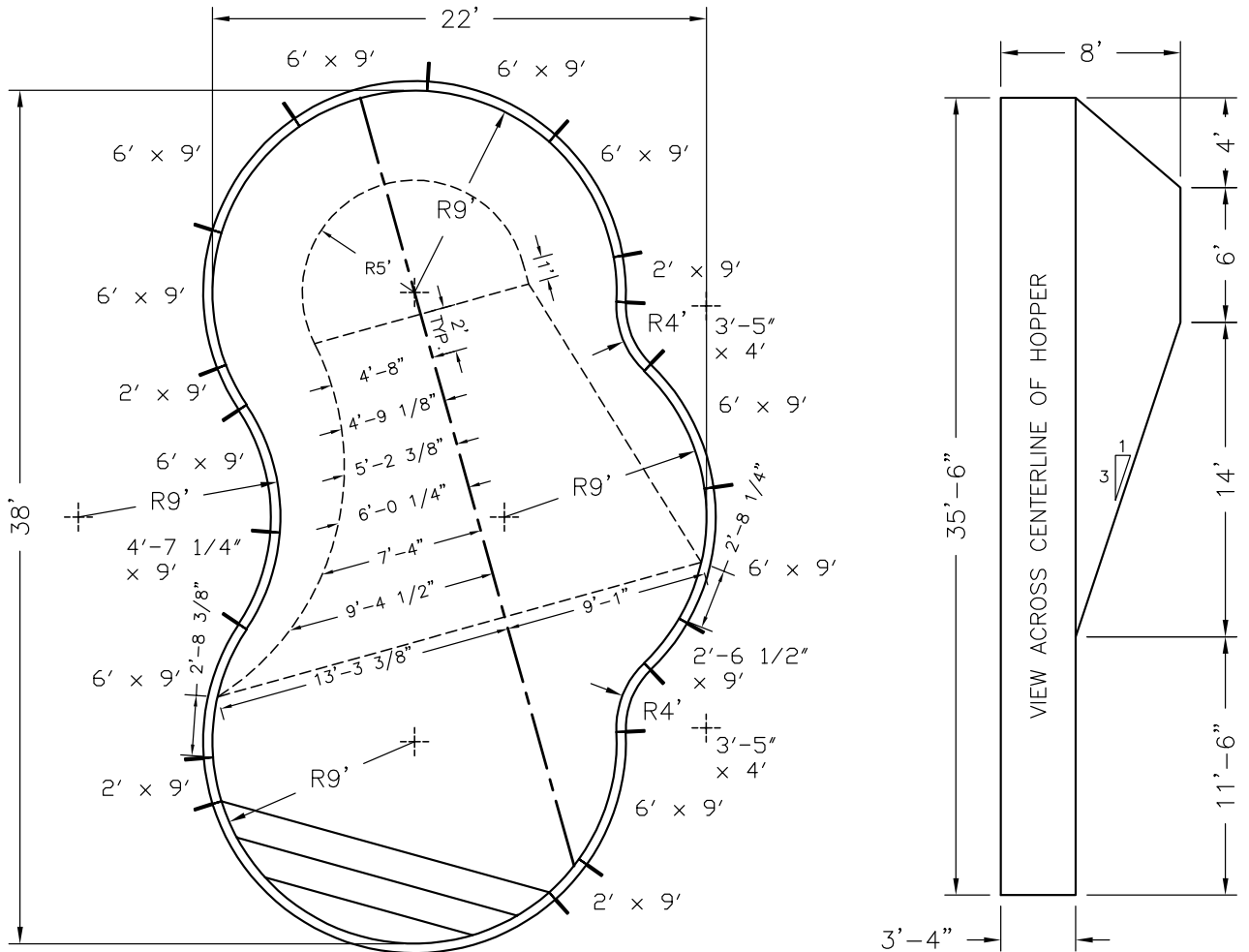
**Approx Gal:** 22,811

**Pool Number:** 18380ASIS – (STEEL)


250 Route 61 South, Schuylkill Haven, PA 17972 • 570-385-4733 • fax: 570-385-1318 • CustomerService@CardinalSystemsinc.com

Bill of Materials

PART NO.	QUANTITY	DESCRIPTION
"A" FRAME	19	"A" FRAME ASSEMBLY
L3TR3090XXXXXC	1	9' RADIUS STEEL STEP W/LINER TRACK
5C42200XX09000	4	2' x 9' Radius C PANEL W/0 Z
5C42264XX09000	1	2'-6 1/2" x 9' Radius C PANEL W/0 Z
5C42600XX09000	9	6' x 9' Radius C PANEL W/0 Z
5R42350XX04000	2	3'-5" x 4' Radius R PANEL W/0 Z
5R42472XX09000	1	4'-7 1/4" x 9' Radius R PANEL W/0 Z
5R42600XX09000	1	6' x 9' Radius R PANEL W/0 Z



9' RADIUS STEEL STEP  
W/LINER TRACK  
L3TR3090XXXXXC

<b>Date:</b> 5/10/2022	<b>Perimeter:</b> 99'-11 5/8"	 cardinalpools.com
<b>Drawn By:</b> JESSE H	<b>Area:</b> 627.1 SQ. FT.	
<b>Scale:</b> 1/8" = 1'-0"	<b>Notes:</b> - - - -	

This information is the confidential property of Cardinal Systems, Inc. Disclosure or duplication without proper written approval is strictly prohibited. Acceptance and use of this drawing constitutes knowledge and acceptance by the user of the terms and conditions set forth in the notice and warning which accompanied this drawing is incorporated herein and made part hereof and is found on Cardinal Systems, Inc's website at www.CardinalSystemsInc.com



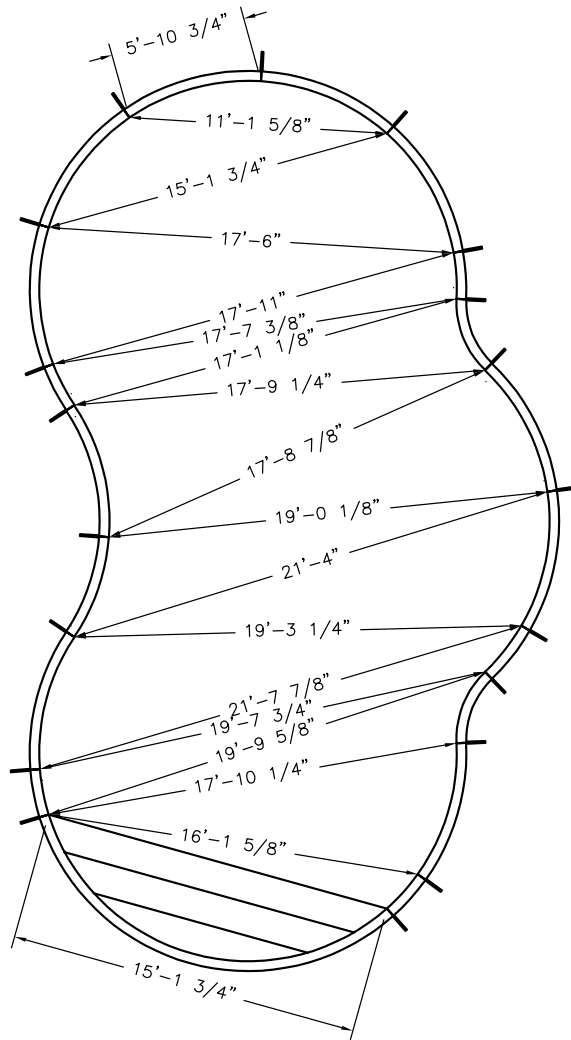
**Pool Size:** 18' X 38'

**Pool Shape:** OASIS

**Approx Gal:** 22,811

**Pool Number:** 18380OASIS – (STEEL)

250 Route 61 South, Schuylkill Haven, PA 17972 • 570-385-4733 • fax: 570-385-1318 • CustomerService@CardinalSystemsinc.com



**Date:** 5/10/2022

**Perimeter:** 99'-11 5/8"

**Drawn By:** JESSE H

**Area:** 627.1 SQ. FT.

**Scale:** 1/8" = 1'-0"

**Notes:** -----



cardinalpools.com

This information is the confidential property of Cardinal Systems, Inc. Disclosure or duplication without proper written approval is strictly prohibited. Acceptance and use of this drawing constitutes knowledge and acceptance by the user of the terms and conditions set forth in the notice and warning which accompanied this drawing is incorporated herein and made part hereof and is found on Cardinal Systems, Inc's website at www.CardinalSystemsInc.com





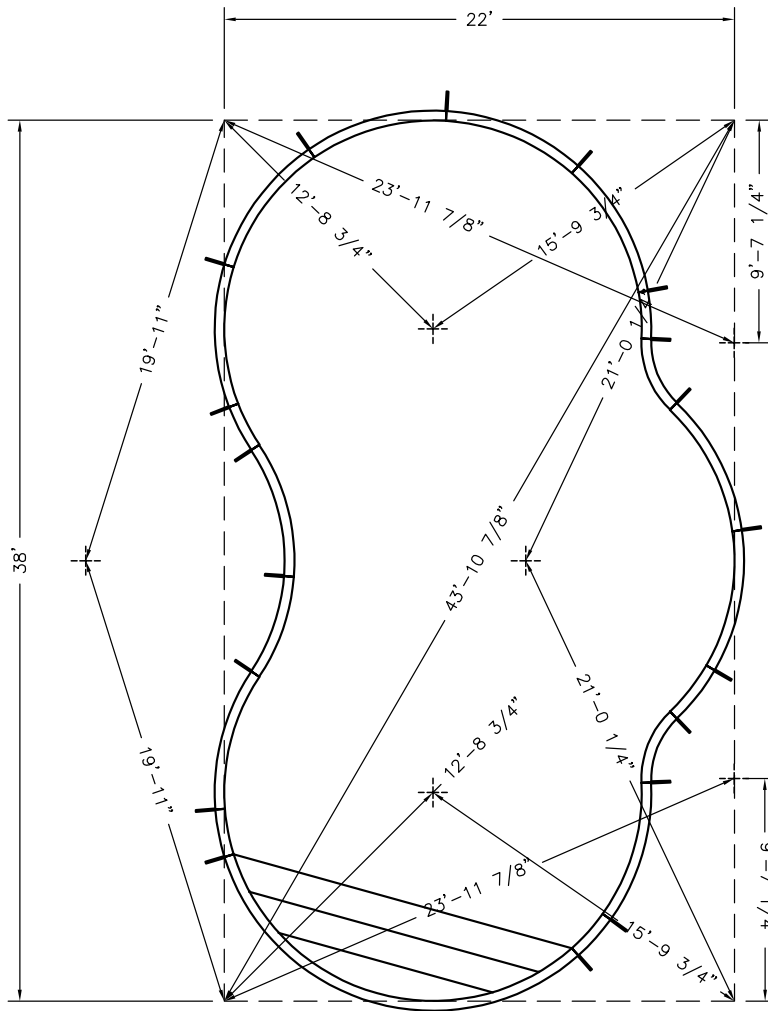
**Pool Size:** 18' X 38'

**Pool Shape:** OASIS

**Pool Number:** 18380ASIS – (STEEL)

**Approx Gal:** 22,811

250 Route 61 South, Schuylkill Haven, PA 17972 • 570-385-4733 • fax: 570-385-1318 • CustomerService@CardinalSystemsinc.com



**Date:** 5/10/2022

**Drawn By:** JESSE H

**Scale:** 1/8" = 1'-0"

**Perimeter:** 99'-11 5/8"

**Area:** 627.1 SQ. FT.

**Notes:** - - - -



This information is the confidential property of Cardinal Systems, Inc. Disclosure or duplication without proper written approval is strictly prohibited. Acceptance and use of this drawing constitutes knowledge and acceptance by the user of the terms and conditions set forth in the notice and warning which accompanied this drawing is incorporated herein and made part hereof and is found on Cardinal Systems, Inc's website at [www.CardinalSystemsInc.com](http://www.CardinalSystemsInc.com)



**Pool Size:** 18' X 38'

**Pool Shape:** OASIS

**Approx Gal:** 22,811

**Pool Number:** 18380ASIS – (STEEL)


250 Route 61 South, Schuylkill Haven, PA 17972 • 570-385-4733 • fax: 570-385-1318 • CustomerService@CardinalSystemsinc.com

HOPPER DIG POINTS		F-J	29'-5 7/8"	E-H5	15'-0 3/4"	H-H1	8'-4 3/4"
POINTS	DISTANCE	G-H	13'	F-H1	22'-3 3/8"	H-H2	17'-6 1/4"
E-F	13'	G-I	10'-9 1/4"	F-H2	24'-5 1/4"	H-H3	7'-11 1/2"
E-G	10'-9 1/4"	G-J	18'-11 5/8"	F-H3	21'-3 1/2"	H-H4	27'-10 3/8"
E-H	23'-4 1/8"	H-I	13'	F-H4	21'-9 5/8"	H-H5	11'-5"
E-I	20'	I-J	18'	F-H5	7'-4 1/2"	I-H1	5'
E-J	18'	E-H1	21'-10 1/2"	G-H1	11'-4 3/8"	I-H2	5'
F-G	13'	E-H2	18'-3 1/4"	G-H2	11'-5 3/8"	I-H3	5'-1 1/4"
F-H	18'-9 1/2"	E-H3	21'	G-H3	10'-5 1/4"	I-H4	20'-0 3/8"
F-I	23'-4 1/8"	E-H4	9'	G-H4	15'-1"	I-H5	17'-6 3/8"
				G-H5	9'		

PANEL TO HOPPER POINTS		2-H2	20'-5 1/4"	4-H1	4'-6 3/8"	5-H5	21'-5 1/4"
POINTS	DISTANCE	2-H3	17'-7 3/4"	4-H2	13'-6 7/8"	6-H1	20'-5 3/8"
1-H1	21'-4"	2-H4	19'-0 3/4"	4-H3	3'-11 7/8"	6-H2	13'-1"
1-H2	21'-11"	2-H5	5'-1 7/8"	4-H4	25'	6-H3	19'-10 1/4"
1-H3	20'-4"	3-H1	7'-3"	4-H5	12'-2 3/8"	6-H4	3'-3 3/8"
1-H4	17'-10"	3-H2	14'-8 5/8"	5-H1	13'-10"	6-H5	20'-5 5/8"
1-H5	8'-5 1/2"	3-H3	6'-5 1/8"	5-H2	4'-0 7/8"		
2-H1	18'-7 3/4"	3-H4	23'-10 7/8"	5-H3	13'-8"		
		3-H5	8'-10 3/4"	5-H4	13'-0 7/8"		

PANEL TO PANEL POINTS		2-Q	23'-7 1/4"	4-C1	14'-7"	5-R	7'-8 7/8"
POINTS	DISTANCE	2-P	27'-3 1/8"	4-C2	25'-2 1/4"	5-S	1'-11 7/8"
1-C1	30'-5 5/8"	2-Q	28'-4 7/8"	4-K	24'-10 3/8"	5-S1	25'-6 5/8"
1-C2	6'-2 7/8"	2-R	26'-10 1/4"	4-L	14'-4 1/2"	5-S2	17'-8 1/4"
1-K	5'-10 5/8"	2-S	22'-10 3/8"	4-M	9'-2 3/8"	5-T	5'-10 5/8"
1-L	5'-9 3/8"	2-S1	11'-0 5/8"	4-N	1'-11 7/8"	5-U	15'-9 1/4"
1-M	11'-6 3/8"	2-S2	19'-9 5/8"	4-O	7'-8 7/8"	6-C1	24'-2 1/2"
1-N	21'-1 7/8"	2-T	17'-2 5/8"	4-P	12'-7 1/2"	6-C2	17'-11 7/8"
1-O	26'-5 5/8"	2-U	19'-7 3/4"	4-Q	16'-1 5/8"	6-K	18'
1-P	29'-9 3/8"	3-C1	17'-6 1/2"	4-R	17'-10 1/4"	6-L	19'-3 1/4"
1-Q	30'-5 3/8"	3-C2	22'-3 1/8"	4-S	17'-7 3/8"	6-M	21'-4"
1-R	28'-4 1/4"	3-K	21'-11 1/8"	4-S1	26'-5 5/8"	6-N	23'-3 1/4"
1-S	23'-10 1/2"	3-L	11'-1 5/8"	4-S2	28'-4 1/4"	6-O	25'-6 5/8"
1-S1	7'-8 7/8"	3-M	5'-10 5/8"	4-T	18'-2"	6-P	25'-3 1/2"
1-S2	17'-10 1/4"	3-N	5'-3"	4-U	27'-1 1/8"	6-Q	22'-6 3/8"
1-T	17'-5"	3-O	11'-0 5/8"	5-C1	14'-7"	6-R	17'-8 1/4"
1-U	18'	3-P	15'-9 3/8"	5-C2	25'-2 1/4"	6-S	11'-9 5/8"
2-C1	28'-2"	3-Q	18'-9 3/4"	5-K	25'-0 7/8"	6-S1	17'-10 1/4"
2-C2	9'-6 5/8"	3-R	19'-9 5/8"	5-L	21'-5 7/8"	6-S2	7'-8 7/8"
2-K	9'-2 3/8"	3-S	18'-7 1/2"	5-M	20'-8 3/4"	6-T	4'-6 5/8"
2-L	2'-6 3/8"	3-S1	23'-7 1/4"	5-N	17'-7 3/8"	6-U	5'-10 5/8"
2-M	8'-2 5/8"	3-S2	26'-10 1/4"	5-O	17'-10 1/4"		
2-N	18'-1 1/2"	3-T	17'-8 7/8"	5-P	16'-1 5/8"		
		3-U	25'-9 1/4"	5-Q	12'-7 1/2"		

BOX POINTS		A-J	19'-11"	B-S1	36'-4 3/4"	D-C1	38'-2 7/8"
POINTS	DISTANCE	A-S1	38'-8 3/4"	B-S2	38'-3 7/8"	D-C2	16'-5 5/8"
A-B	22'	A-S2	31'-7 7/8"	C-C1	40'-8 3/8"	D-E	12'-8 3/4"
A-C	43'-10 7/8"	B-C	38'	C-C2	6'-10 1/8"	D-F	23'-11 7/8"
A-C1	6'-7 1/8"	B-C1	15'-5"	C-D	22'	D-G	23'-0 1/4"
A-C2	38'-1 1/4"	B-C2	35'-0 3/8"	C-E	15'-9 3/4"	D-H	35'-10 7/8"
A-D	38'	B-D	43'-10 7/8"	C-F	9'-7 1/4"	D-H1	33'-4"
A-E	30'-4 3/8"	B-E	31'-9 3/8"	C-G	21'-0 1/4"	D-H2	27'-1 1/4"
A-F	35'-10 7/8"	B-F	28'-4 3/4"	C-H	28'-4 3/4"	D-H3	32'-7"
A-G	23'-0 1/4"	B-G	21'-0 1/4"	C-H1	31'-5 1/8"	D-H4	10'-11 7/8"
A-H	23'-11 7/8"	B-H	9'-7 1/4"	C-H2	31'-11"	D-H5	27'-7 3/8"
A-H1	15'-9 5/8"	B-H1	11'-2 1/2"	C-H3	30'-5 1/8"	D-I	30'-4 3/8"
A-H2	12'-1 7/8"	B-H2	20'-9 3/8"	C-H4	24'-4 3/4"	D-J	19'-11"
A-H3	16'-6 1/8"	B-H3	11'-8 1/2"	C-H5	16'-11 3/4"	D-S1	15'-2"
A-H4	27'-0 1/8"	B-H4	34'-8 3/8"	C-I	31'-9 3/8"	D-S2	6'-4 1/4"
A-H5	30'-3 1/8"	B-H5	21'-0 1/4"	C-J	33'-9 3/4"		
A-I	12'-8 3/4"	B-I	15'-9 3/4"	C-S1	7'-4 1/2"		
		B-J	33'-9 3/4"	C-S2	22'-6 1/8"		

<b>Date:</b> 5/10/2022	<b>Perimeter:</b> 99'-11 5/8"	 cardinalpools.com
<b>Drawn By:</b> JESSE H	<b>Area:</b> 627.1 SQ. FT.	
<b>Scale:</b> 1/8" = 1'-0"	<b>Notes:</b> - - - -	

This information is the confidential property of Cardinal Systems, Inc. Disclosure or duplication without proper written approval is strictly prohibited. Acceptance and use of this drawing constitutes knowledge and acceptance by the user of the terms and conditions set forth in the notice and warning which accompanied this drawing is incorporated herein and made part hereof and is found on Cardinal Systems, Inc's website at www.CardinalSystemsInc.com



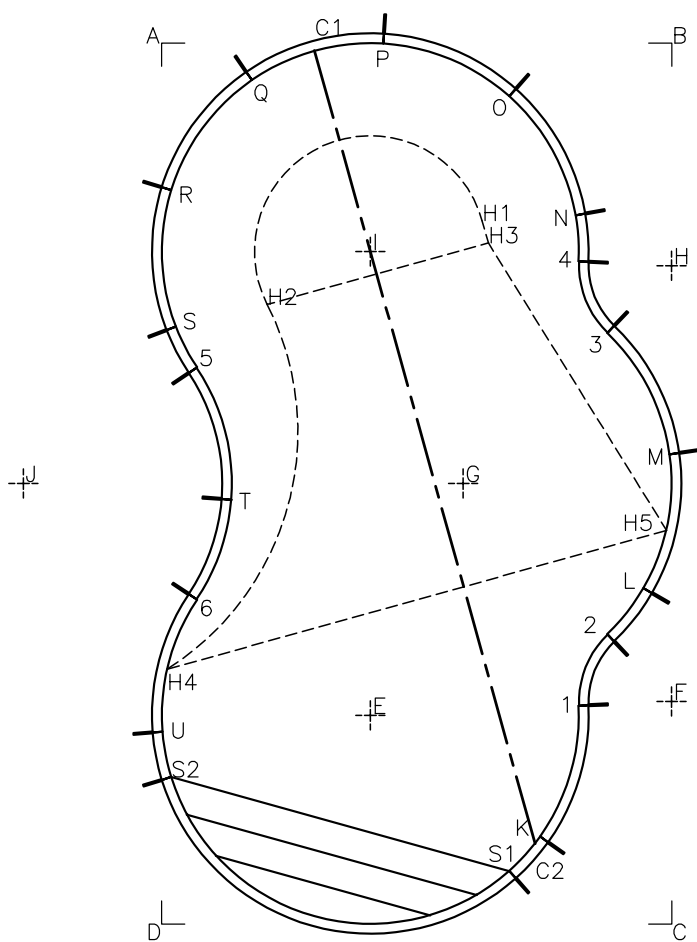
**Pool Size:** 18' X 38'

**Pool Shape:** OASIS

**Pool Number:** 18380ASIS – (STEEL)

**Approx Gal:** 22,811

250 Route 61 South, Schuylkill Haven, PA 17972 • 570-385-4733 • fax: 570-385-1318 • CustomerService@CardinalSystemsinc.com



**Date:** 5/10/2022

**Perimeter:** 99' - 11 5/8"

**Drawn By:** JESSE H

**Area:** 627.1 SQ. FT.

**Scale:** 1/8" = 1'-0"

**Notes:** - - - -



cardinalpools.com

This information is the confidential property of Cardinal Systems, Inc. Disclosure or duplication without proper written approval is strictly prohibited. Acceptance and use of this drawing constitutes knowledge and acceptance by the user of the terms and conditions set forth in the notice and warning which accompanied this drawing is incorporated herein and made part hereof and is found on Cardinal Systems, Inc's website at www.CardinalSystemsInc.com



**Pool Size:** 20' X 40'

**Pool Shape:** OASIS

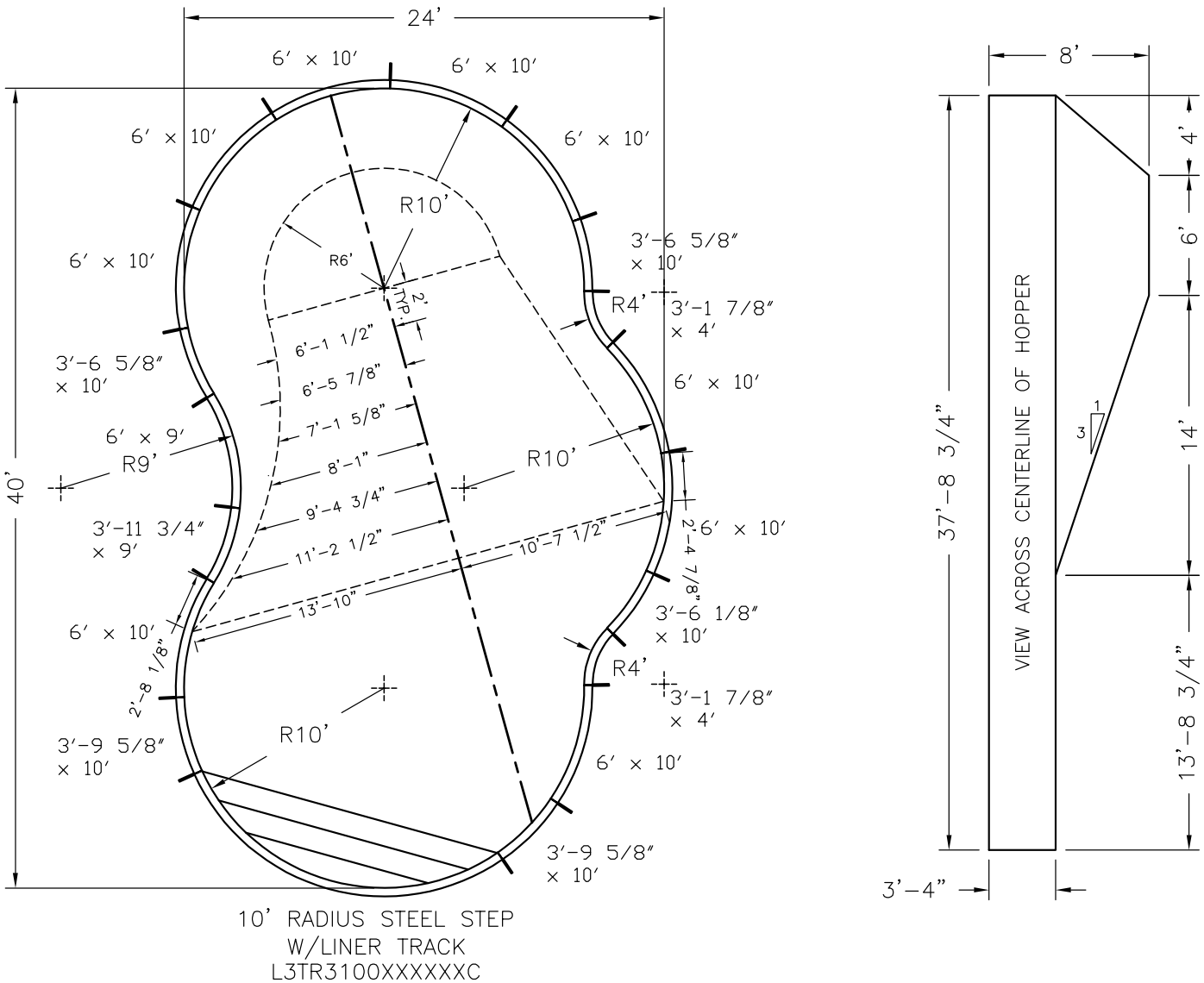
**Approx Gal:** 26,620

**Pool Number:** 20400OASIS – (STEEL)

250 Route 61 South, Schuylkill Haven, PA 17972 • 570-385-4733 • fax: 570-385-1318 • CustomerService@CardinalSystemsinc.com

Bill of Materials

PART NO.	QUANTITY	DESCRIPTION
"A" FRAME	19	"A" FRAME ASSEMBLY
L3TR3100XXXXXXC	1	10' RADIUS STEEL STEP W/LINER TRACK
5C42361XX10000	1	3'-6 1/8" x 10' Radius C PANEL W/O Z
5C42365XX10000	2	3'-6 5/8" x 10' Radius C PANEL W/O Z
5C42395XX10000	2	3'-9 5/8" x 10' Radius C PANEL W/O Z
5C42600XX10000	9	6' x 10' Radius C PANEL W/O Z
5R42317XX04000	2	3'-1 7/8" x 4' Radius R PANEL W/O Z
5R423E6XX09000	1	3'-11 3/4" x 9' Radius R PANEL W/O Z
5R42600XX09000	1	6' x 9' Radius R PANEL W/O Z



10' RADIUS STEEL STEP  
W/LINER TRACK  
L3TR3100XXXXXXC

**Date:** 5/10/2022

**Perimeter:** 106'-0"

**Drawn By:** JESSE H

**Area:** 731.8 SQ. FT.

**Scale:** 1/8" = 1'-0"

**Notes:** -----



cardinalpools.com

This information is the confidential property of Cardinal Systems, Inc. Disclosure or duplication without proper written approval is strictly prohibited. Acceptance and use of this drawing constitutes knowledge and acceptance by the user of the terms and conditions set forth in the notice and warning which accompanied this drawing is incorporated herein and made part hereof and is found on Cardinal Systems, Inc's website at www.CardinalSystemsInc.com



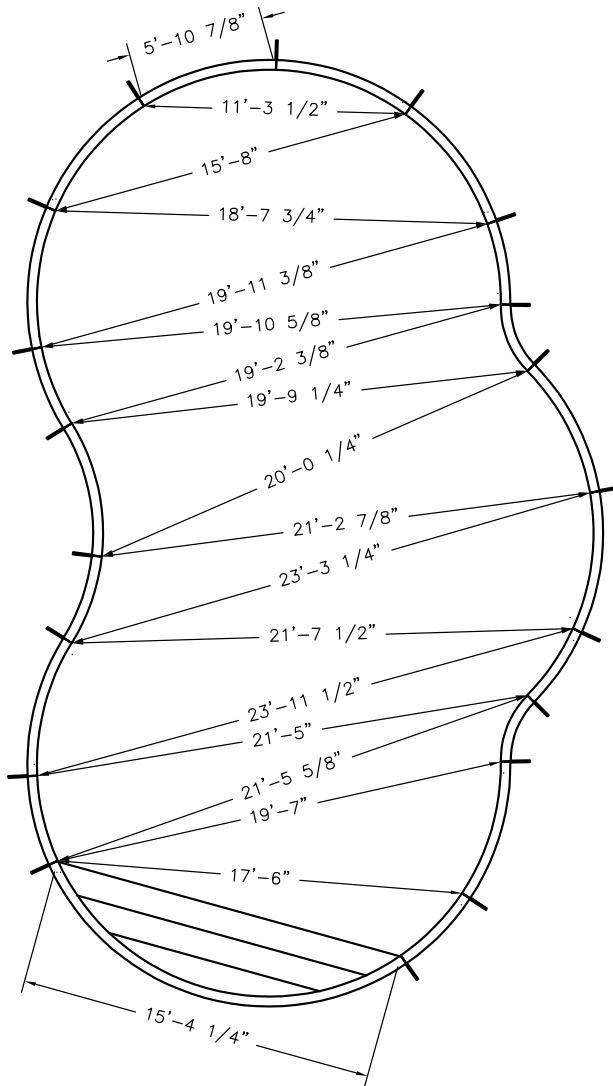
**Pool Size:** 20' X 40'

**Pool Shape:** OASIS

**Pool Number:** 20400ASIS – (STEEL)

**Approx Gal:** 26,620

250 Route 61 South, Schuylkill Haven, PA 17972 • 570-385-4733 • fax: 570-385-1318 • CustomerService@CardinalSystemsinc.com



**Date:** 5/10/2022

**Perimeter:** 106'-0"

**Drawn By:** JESSE H

**Area:** 731.8 SQ. FT.

**Scale:** 1/8" = 1'-0"

**Notes:** - - - -



cardinalpools.com

This information is the confidential property of Cardinal Systems, Inc. Disclosure or duplication without proper written approval is strictly prohibited. Acceptance and use of this drawing constitutes knowledge and acceptance by the user of the terms and conditions set forth in the notice and warning which accompanied this drawing is incorporated herein and made part hereof and is found on Cardinal Systems, Inc's website at www.CardinalSystemsInc.com



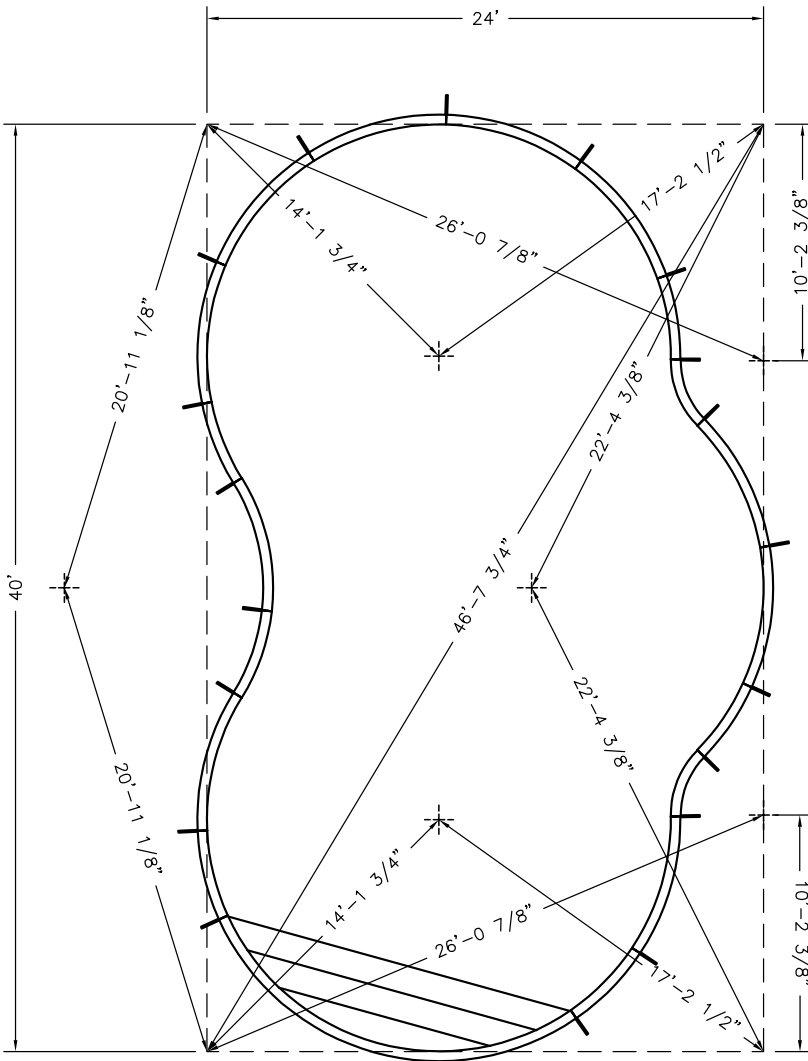
**Pool Size:** 20' X 40'

**Pool Shape:** OASIS

**Pool Number:** 20400ASIS – (STEEL)

**Approx Gal:** 26,620

250 Route 61 South, Schuylkill Haven, PA 17972 • 570-385-4733 • fax: 570-385-1318 • CustomerService@CardinalSystemsinc.com



**Date:** 5/10/2022

**Drawn By:** JESSE H

**Scale:** 1/8" = 1'-0"

**Perimeter:** 106'-0"

**Area:** 731.8 SQ. FT.

**Notes:** -----



cardinalpools.com

This information is the confidential property of Cardinal Systems, Inc. Disclosure or duplication without proper written approval is strictly prohibited. Acceptance and use of this drawing constitutes knowledge and acceptance by the user of the terms and conditions set forth in the notice and warning which accompanied this drawing is incorporated herein and made part hereof and is found on Cardinal Systems, Inc's website at www.CardinalSystemsInc.com



**Pool Size:** 20' X 40'

**Pool Shape:** OASIS

**Approx Gal:** 26,620

**Pool Number:** 20400ASIS - (STEEL)


250 Route 61 South, Schuylkill Haven, PA 17972 • 570-385-4733 • fax: 570-385-1318 • CustomerService@CardinalSystemsinc.com

HOPPER DIG POINTS		F-I	20'-1 7/8"	E-H3	10'	I-H1	11'-8 7/8"
POINTS	DISTANCE	F-J	31'-8 1/2"	E-H4	16'-9 3/4"	I-H2	12'-10 3/4"
		G-H	14'	G-H1	6'	I-H3	15'-4 1/2"
E-F	19'	G-I	10'-9 1/4"	G-H2	6'	I-H4	10'
E-G	20'	G-J	24'-3"	G-H3	19'-8 1/8"	J-H1	22'-11 1/8"
E-H	24'-3"	H-I	14'	G-H4	17'-6 7/8"	J-H2	26'-10 1/2"
E-I	10'-9 1/4"	H-J	19'-7 1/8"	H-H1	8'-4 7/8"	J-H3	23'-8 7/8"
E-J	14'	I-J	14'	H-H2	19'-10"	J-H4	9'-1 3/4"
F-G	19'	E-H1	22'-4 3/8"	H-H3	29'-0 7/8"		
F-H	31'-8 1/2"	E-H2	19'-3 1/2"	H-H4	10'-5 1/2"		

PANEL TO HOPPER POINTS		2-H1	15'-10 1/8"	3-H4	11'-2 7/8"	5-H3	20'-8 7/8"
POINTS	DISTANCE	2-H2	4'-6 3/4"	4-H1	7'-0 3/4"	5-H4	6'-11 3/8"
		2-H3	11'-11 5/8"	4-H2	16'-11 3/4"	6-H1	21'-10 3/8"
1-H1	21'-8 3/8"	2-H4	23'-1 3/8"	4-H3	25'-1 1/2"	6-H2	24'-1 5/8"
1-H2	13'-5"	3-H1	4'-6 3/4"	4-H4	8'-2"	6-H3	19'-9 1/4"
1-H3	2'-8 1/8"	3-H2	15'-10 1/8"	5-H1	19'-4 1/4"	6-H4	10'-0 1/4"
1-H4	22'-10 1/8"	3-H3	25'-11 5/8"	5-H2	22'-10 5/8"		

PANEL TO PANEL POINTS		2-P	14'-0 3/8"	4-C1	18'-8 5/8"	5-R	20'-5"
POINTS	DISTANCE	2-P	17'-7 3/8"	4-C2	24'-0 1/4"	5-S	9'-1 7/8"
		2-Q	19'-7 1/2"	4-K	27'-4 7/8"	5-S1	21'-5 5/8"
1-C1	25'-0 3/4"	2-R	19'-10 5/8"	4-L	20'-0 1/4"	5-S2	12'-5 3/4"
1-C2	19'-11"	2-S	22'-6 5/8"	4-M	20'-11 5/8"	5-T	3'-5 7/8"
1-K	5'-10 7/8"	2-S1	18'-10 1/2"	4-N	21'-5 7/8"	5-U	8'-11 3/4"
1-L	3'-11 3/8"	2-S2	26'-11 7/8"	4-P	20'-1 1/8"	6-C1	32'-1 1/4"
1-M	12'-9 7/8"	2-T	23'-4 1/4"	4-P	16'-11 1/8"	6-C2	7'-4 1/4"
1-N	18'-7 7/8"	2-U	26'-4 1/8"	4-Q	12'-3 1/8"	6-K	20'
1-O	23'-4 3/8"	3-C1	16'	4-R	6'-6 7/8"	6-L	19'-4 1/4"
1-P	26'-3"	3-C2	26'-8 1/2"	4-S	5'-10 7/8"	6-M	26'-8 1/8"
1-Q	26'-11 3/4"	3-K	28'-6"	4-S1	29'-3 1/4"	6-N	30'-6 5/8"
1-R	25'-5 1/2"	3-L	20'-4 1/4"	4-S2	25'-9 3/4"	6-O	32'-2 3/8"
1-S	23'-3 1/4"	3-M	19'-10 5/8"	4-T	11'-3 1/2"	6-P	31'-4 5/8"
1-S1	9'-5"	3-N	19'-7 1/2"	4-U	22'-8 3/8"	6-Q	28'-2 7/8"
1-S2	19'-7"	3-O	17'-7 3/8"	5-C1	30'	6-R	23'-2 1/2"
1-T	21'-7 1/2"	3-P	14'-0 3/8"	5-C2	10'-5 1/8"	6-S	12'-2 5/8"
1-U	20'	3-Q	9'-2 1/4"	5-K	21'-5"	6-S1	19'-7"
2-C1	16'	3-R	3'-6 3/8"	5-L	19'-3 5/8"	6-S2	9'-5"
2-C2	26'-8 1/2"	3-S	8'-11 3/4"	5-M	25'-9 1/4"	6-T	6'-6 3/8"
2-K	15'-3 1/4"	3-S1	30'-8"	5-N	29'-2"	6-U	5'-10 7/8"
2-L	5'-10 5/8"	3-S2	28'-4 7/8"	5-P	30'-3 7/8"		
2-M	3'-6 3/8"	3-T	14'-3 7/8"	5-P	29'-1 1/8"		
2-N	9'-2 1/4"	3-U	25'-5 1/4"	5-Q	25'-7 1/2"		

BOX POINTS		A-J	38'-3 1/8"	B-S1	41'-2 5/8"	D-C1	40'-3 3/4"
POINTS	DISTANCE	A-S1	34'-1 3/4"	B-S2	39'-1 3/8"	D-C2	17'-8 3/8"
		A-S2	41'-3 7/8"	C-C1	43'	D-E	14'-1 3/4"
A-B	24'	B-C	40'	C-C2	7'-4 3/8"	D-F	20'-11 1/8"
A-C	46'-7 3/4"	B-C1	16'-8"	C-D	24'	D-G	31'-7 1/2"
A-C1	7'-4 1/8"	B-C2	37'-3 7/8"	C-E	17'-2 1/2"	D-H	38'-3 1/8"
A-C2	40'-7 3/4"	B-D	46'-7 3/4"	C-F	36'-2 1/4"	D-H1	35'-3 7/8"
A-D	40'	B-E	33'-1 1/4"	C-G	33'-1 1/4"	D-H2	28'-8 1/2"
A-E	31'-7 1/2"	B-F	36'-2 1/4"	C-H	29'-9 5/8"	D-H3	12'-9 7/8"
A-F	20'-11 1/8"	B-G	17'-2 1/2"	C-H1	32'-7 7/8"	D-H4	30'-9 5/8"
A-G	14'-1 3/4"	B-H	10'-2 3/8"	C-H2	34'-7 3/8"	D-I	24'-5"
A-H	26'-0 7/8"	B-H1	11'-9"	C-H3	26'-10 1/4"	D-J	26'-0 7/8"
A-H1	17'-10 1/2"	B-H2	22'-11 1/4"	C-H4	19'-4 1/8"	D-S1	5'-11 1/4"
A-H2	12'-4 1/8"	B-H3	35'-11 7/8"	C-I	22'-4 3/8"	D-S2	15'-9 1/2"
A-H3	27'-2 1/4"	B-H4	20'-7 7/8"	C-J	10'-2 3/8"		
A-H4	31'-7 3/4"	B-I	22'-4 3/8"	C-S1	23'-10 1/8"		
A-I	24'-5"	B-J	29'-9 5/8"	C-S2	8'-6"		

<b>Date:</b> 5/10/2022	<b>Perimeter:</b> 106'-0"	 cardinalposts.com
<b>Drawn By:</b> JESSE H	<b>Area:</b> 731.8 SQ. FT.	
<b>Scale:</b> 1/8" = 1'-0"	<b>Notes:</b> - - - -	

This information is the confidential property of Cardinal Systems, Inc. Disclosure or duplication without proper written approval is strictly prohibited. Acceptance and use of this drawing constitutes knowledge and acceptance by the user of the terms and conditions set forth in the notice and warning which accompanied this drawing is incorporated herein and made part hereof and is found on Cardinal Systems, Inc's website at www.CardinalSystemsInc.com



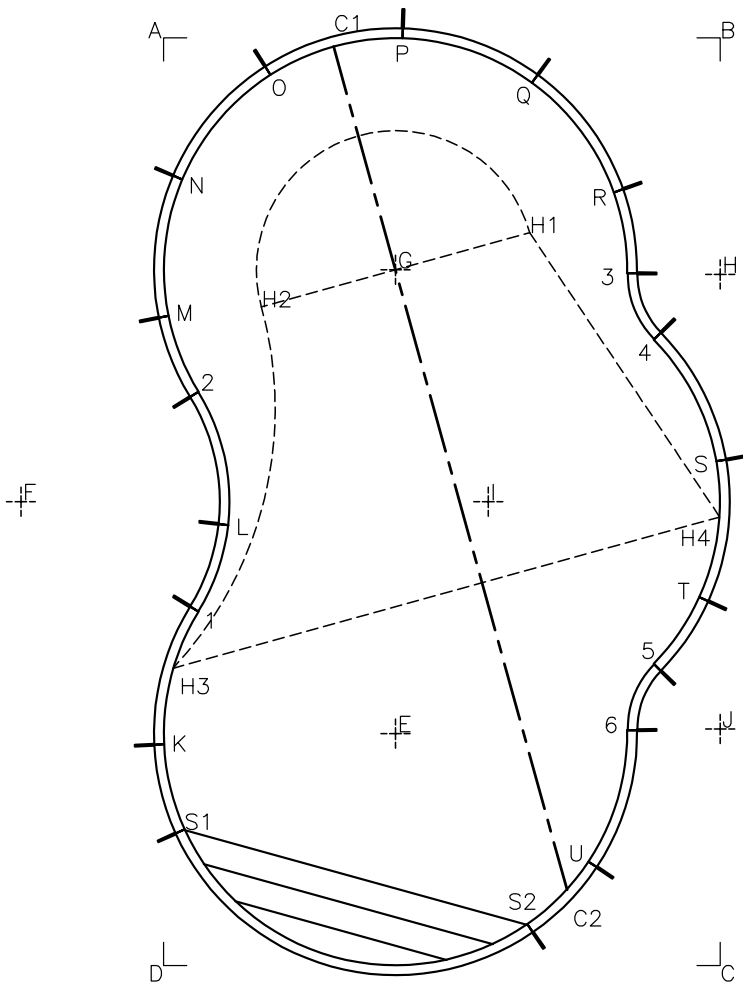
**Pool Size:** 20' X 40'

**Pool Shape:** OASIS

**Approx Gal:** 26,620

**Pool Number:** 20400ASIS – (STEEL)

250 Route 61 South, Schuylkill Haven, PA 17972 • 570-385-4733 • fax: 570-385-1318 • CustomerService@CardinalSystemsinc.com



**Date:** 5/10/2022

**Perimeter:** 106'-0"

**Drawn By:** JESSE H

**Area:** 731.8 SQ. FT.

**Scale:** 1/8" = 1'-0"

**Notes:** -----



cardinalpools.com

This information is the confidential property of Cardinal Systems, Inc. Disclosure or duplication without proper written approval is strictly prohibited. Acceptance and use of this drawing constitutes knowledge and acceptance by the user of the terms and conditions set forth in the notice and warning which accompanied this drawing is incorporated herein and made part hereof and is found on Cardinal Systems, Inc's website at www.CardinalSystemsInc.com





**Pool Size:** 16' X 34'

**Pool Shape:** OASIS

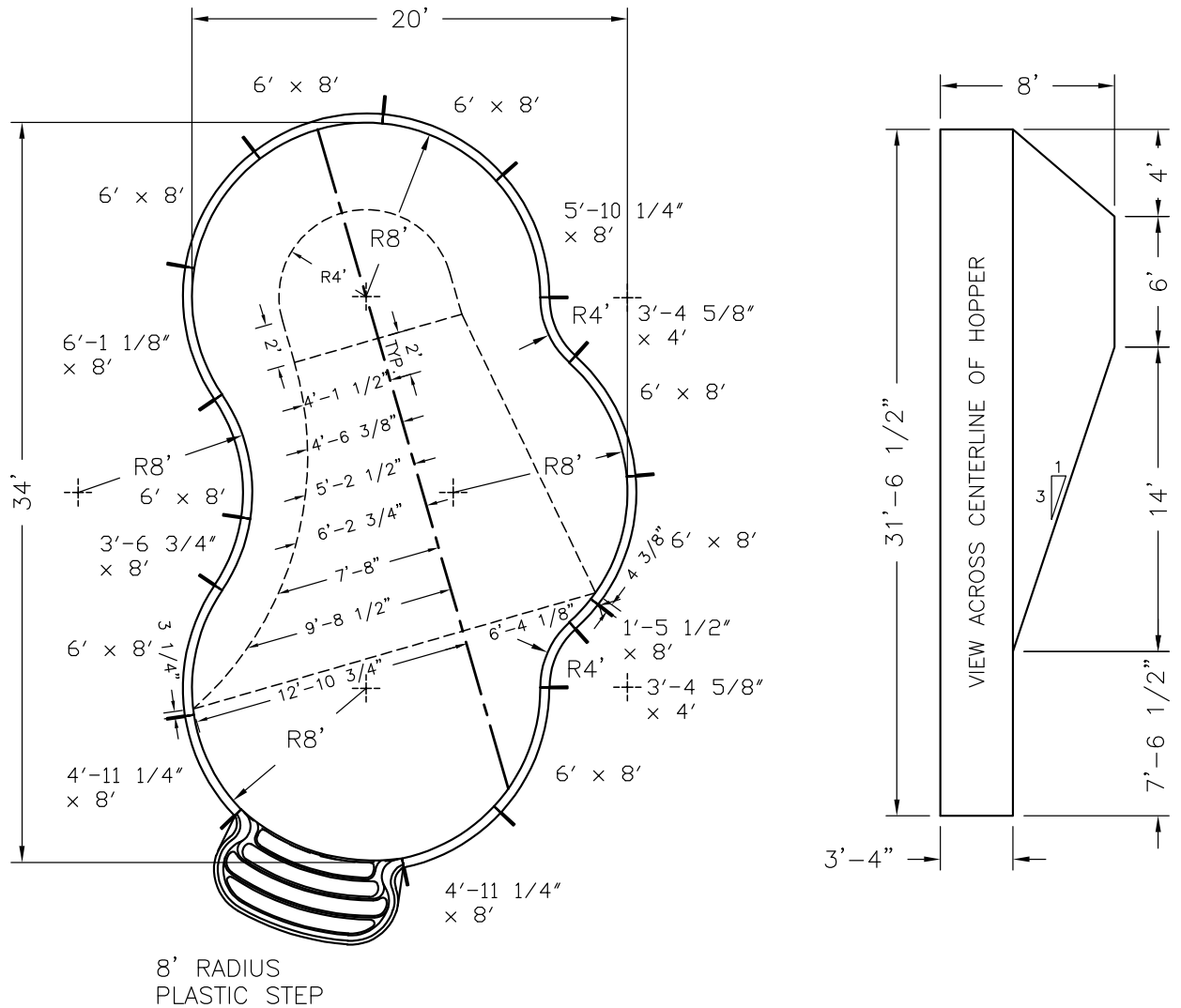
**Approx Gal:** 18,326

**Pool Number:** 16340ASIS – (PLASTIC)

250 Route 61 South, Schuylkill Haven, PA 17972 • 570-385-4733 • fax: 570-385-1318 • CustomerService@CardinalSystemsinc.com

Bill of Materials

PART NO.	QUANTITY	DESCRIPTION
"A" FRAME	17	"A" FRAME ASSEMBLY
5C42154XX08000	1	1'-5 1/2" x 8' Radius C PANEL W/O Z
5C424E2XX08000	2	4'-11 1/4" x 8' Radius C PANEL W/O Z
5C425T2XX08000	1	5'-10 1/4" x 8' Radius C PANEL W/O Z
5C42600XX08000	7	6' x 8' Radius C PANEL W/O Z
5C42611XX08000	1	6'-1 1/8" x 8' Radius C PANEL W/O Z
5R42345XX04000	2	3'-4 5/8" x 4' Radius R PANEL W/O Z
5R42366XX08000	1	3'-6 3/4" x 8' Radius R PANEL W/O Z
5R42600XX08000	1	6' x 8' Radius R PANEL W/O Z



**Date:** 5/10/2022

**Perimeter:** 89'-7 1/4"

**Drawn By:** JESSE H

**Area:** 503.8 SQ. FT.

**Scale:** 1/8" = 1'-0"

**Notes:** - - - -



cardinalpools.com

This information is the confidential property of Cardinal Systems, Inc. Disclosure or duplication without proper written approval is strictly prohibited. Acceptance and use of this drawing constitutes knowledge and acceptance by the user of the terms and conditions set forth in the notice and warning which accompanied this drawing is incorporated herein and made part hereof and is found on Cardinal Systems, Inc's website at www.CardinalSystemsInc.com



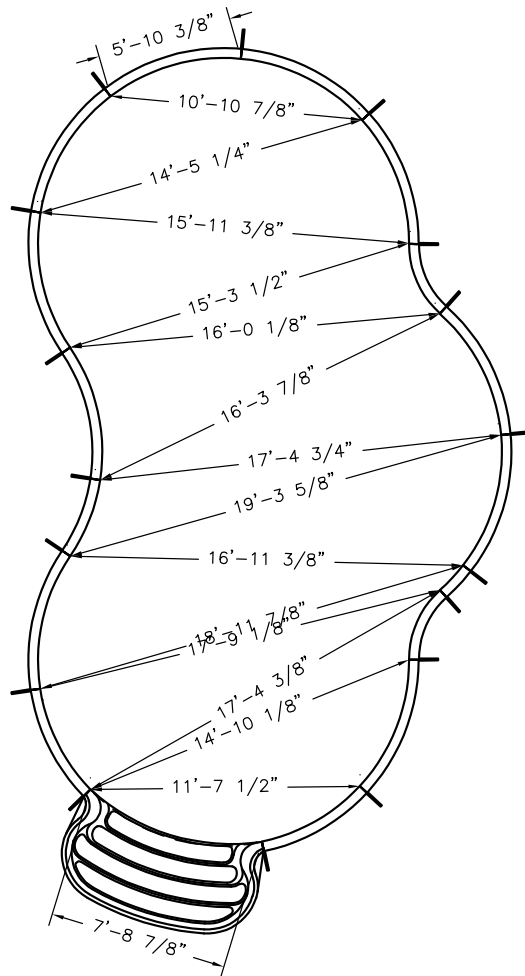
**Pool Size:** 16' X 34'

**Pool Shape:** OASIS

**Approx Gal:** 18,326

**Pool Number:** 1634OASIS – (PLASTIC)

250 Route 61 South, Schuylkill Haven, PA 17972 • 570-385-4733 • fax: 570-385-1318 • CustomerService@CardinalSystemsinc.com



**Date:** 5/10/2022

**Perimeter:** 89'–7 1/4"

**Drawn By:** JESSE H

**Area:** 503.8 SQ. FT.

**Scale:** 1/8" = 1'–0"

**Notes:** -----



cardinalpools.com

This information is the confidential property of Cardinal Systems, Inc. Disclosure or duplication without proper written approval is strictly prohibited. Acceptance and use of this drawing constitutes knowledge and acceptance by the user of the terms and conditions set forth in the notice and warning which accompanied this drawing is incorporated herein and made part hereof and is found on Cardinal Systems, Inc's website at www.CardinalSystemsInc.com



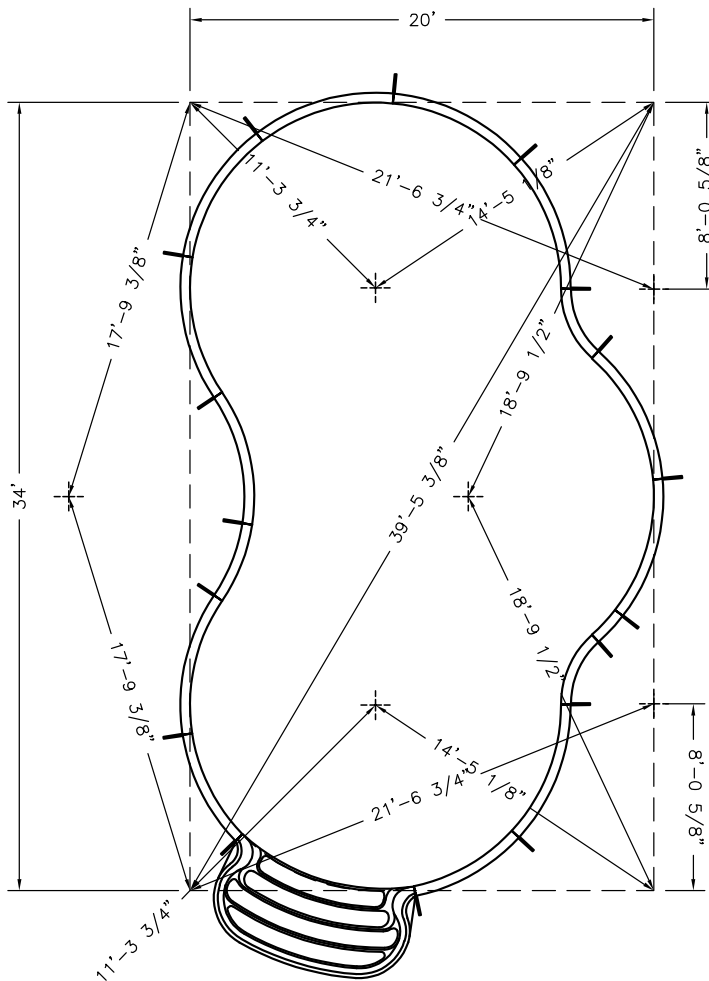
**Pool Size:** 16' X 34'

**Pool Shape:** OASIS

**Pool Number:** 1634OASIS – (PLASTIC)

**Approx Gal:** 18,326

250 Route 61 South, Schuylkill Haven, PA 17972 • 570-385-4733 • fax: 570-385-1318 • CustomerService@CardinalSystemsinc.com



**Date:** 5/10/2022

**Drawn By:** JESSE H

**Scale:** 1/8" = 1'-0"

**Perimeter:** 89'-7 1/4"

**Area:** 503.8 SQ. FT.

**Notes:** - - - -



cardinalpools.com

This information is the confidential property of Cardinal Systems, Inc. Disclosure or duplication without proper written approval is strictly prohibited. Acceptance and use of this drawing constitutes knowledge and acceptance by the user of the terms and conditions set forth in the notice and warning which accompanied this drawing is incorporated herein and made part hereof and is found on Cardinal Systems, Inc's website at www.CardinalSystemsInc.com



**Pool Size:** 16' X 34'

**Pool Shape:** OASIS

**Approx Gal:** 18,326

**Pool Number:** 1634OASIS – (PLASTIC)


250 Route 61 South, Schuylkill Haven, PA 17972 • 570-385-4733 • fax: 570-385-1318 • CustomerService@CardinalSystemsinc.com

HOPPER DIG POINTS		G-H		G-H1		I-H1	
POINTS	DISTANCE	POINTS	DISTANCE	POINTS	DISTANCE	POINTS	DISTANCE
E-F	16'	G-I	9'-10 1/8"	G-H2	4'	I-H2	10'-1 3/8"
E-G	18'	G-J	21'-7"	G-H3	4'-5 5/8"	I-H3	11'-1 1/2"
E-H	21'-7"	H-I	12'	G-H4	4'-5 5/8"	I-H4	9'-5"
E-I	9'-10 1/8"	H-J	17'-10 5/8"	G-H5	20'-6 5/8"	I-H5	8'-2 3/8"
E-J	12'	I-J	12'	G-H6	17'-2 1/2"	I-H6	15'-6 1/2"
F-G	16'	E-H1	19'-5 7/8"	H-H1	8'-2 7/8"	J-H1	8'
F-H	26'-9 1/4"	E-H2	17'-3 7/8"	H-H2	15'-10 1/2"	J-H2	20'-8 3/4"
F-I	17'-2 3/4"	E-H3	15'-3 7/8"	H-H3	15'-6 7/8"	J-H3	23'-1 3/8"
F-J	26'-9 1/4"	E-H4	17'-8 7/8"	H-H4	7'-7 5/8"	J-H4	21'-4 1/4"
		E-H5	8'	H-H5	27'-5 5/8"	J-H5	18'-8 7/8"
		E-H6	11'-5"	H-H6	13'-7 5/8"	J-H6	19'-11 5/8"
							4'-6 7/8"

PANEL TO HOPPER POINTS		2-H2		3-H6		5-H4	
POINTS	DISTANCE	POINTS	DISTANCE	POINTS	DISTANCE	POINTS	DISTANCE
1-H1	17'-11 5/8"	2-H3	4'-4 1/2"	4-H1	13'-9 3/4"	5-H5	14'-11 7/8"
1-H2	12'-8 3/8"	2-H4	3'-7 5/8"	4-H2	6'-10 5/8"	5-H6	17'-8 3/4"
1-H3	10'-11 3/4"	2-H5	11'-7 3/8"	4-H3	13'-3 3/4"	6-H1	1'-9 3/4"
1-H4	16'-9 5/8"	2-H6	14'-6 1/8"	4-H4	12'-7 1/2"	6-H2	19'-6 1/4"
1-H5	5'-7 3/8"	3-H1	19'-5"	4-H5	5'-5"	6-H3	20'-7 1/8"
1-H6	17'-1 7/8"	3-H2	4'-3 3/4"	4-H6	23'-5 7/8"	6-H4	18'-8 5/8"
2-H1	11'-10 3/8"	3-H3	11'-10 3/4"	5-H1	10'-7 5/8"	6-H5	17'-6 3/8"
		3-H4	11'-8 1/8"	5-H2	16'-11 7/8"	6-H6	15'-11 5/8"
		3-H5	3'-8 1/4"	5-H3	19'-1 3/8"		5'-0 1/2"
			24'-8 7/8"		17'-4 3/8"		

PANEL TO PANEL POINTS		2-N		4-C1		5-Q	
POINTS	DISTANCE	POINTS	DISTANCE	POINTS	DISTANCE	POINTS	DISTANCE
1-C1	21'-7 5/8"	2-D	10'-11 3/4"	4-C2	15'-9 1/8"	5-R	7'-2 1/4"
1-C2	16'	2-P	14'-5 3/4"	4-K	19'-9 1/4"	5-S	1'-5 1/2"
1-K	5'-10 3/8"	2-Q	15'-11 5/8"	4-L	23'-7 3/4"	5-T	9'-1 3/4"
1-L	3'-6 3/8"	2-R	18'-11 1/2"	4-M	16'-3 7/8"	5-U	17'-4 3/8"
1-M	14'-10 3/8"	2-S	19'-4 1/2"	4-N	17'-9 1/8"	5-V	13'-3 5/8"
1-N	19'-11"	2-S1	22'-8 1/8"	4-O	17'-0 3/8"	6-C1	27'-7 3/8"
1-O	22'-8 1/4"	2-S2	19'-1"	4-P	13'-11 1/2"	6-C2	4'-10 1/2"
1-P	22'-7 3/4"	3-C1	22'-10 1/2"	4-Q	9'	6-K	15'-11 1/2"
1-Q	19'-3 5/8"	3-C2	12'-9 3/4"	4-R	5'-10 3/8"	6-L	15'-4 7/8"
1-R	16'-11 3/8"	3-K	22'-7 1/2"	4-S	10'-10 7/8"	6-M	24'-11 3/4"
1-S	15'-11 1/2"	3-L	24'-11"	4-S1	20'-8 1/8"	6-N	27'-6"
1-S1	10'-1 1/4"	3-M	16'-9 1/8"	4-S2	25'-5 5/8"	6-O	26'-11 1/8"
1-S2	14'-10 1/8"	3-N	15'-11 3/8"	5-C1	24'-0 5/8"	6-P	23'-4 3/8"
2-C1	12'-11 1/2"	3-O	14'-4 1/2"	5-C2	25'-5 1/8"	6-Q	10'-5 5/8"
2-C2	22'-4 5/8"	3-P	10'-9 5/8"	5-K	8'-1 3/4"	6-R	4'-8 1/4"
2-K	14'-9 1/4"	3-Q	5'-8 3/4"	5-L	17'-9 1/8"	6-S	5'-10 3/8"
2-L	5'-10 3/8"	3-R	9'-1 3/4"	5-M	15'-4 7/8"	6-S1	14'-10 1/8"
2-M	5'-11 3/8"	3-S	14'-0 5/8"	5-N	23'-8 3/8"	6-S2	10'-1 1/4"
		3-S1	23'-5 7/8"	5-O	25'-7 1/4"		
		3-S2	27'-3"	5-P	24'-5 3/4"		
			26'-6 3/4"		20'-6 5/8"		

BOX POINTS		A-J		B-S1		D-C1	
POINTS	DISTANCE	POINTS	DISTANCE	POINTS	DISTANCE	POINTS	DISTANCE
A-B	20'	A-S1	32'-9 1/8"	B-S2	36'-2 1/2"	D-C2	34'-2 1/8"
A-C	39'-5 3/8"	A-S2	31'-7 3/4"	C-C1	35'-4 1/2"	D-E	14'-11 1/8"
A-C1	5'-9 1/2"	B-C	35'-2 1/8"	C-C2	36'-6 3/4"	D-F	11'-3 3/4"
A-C2	33'-10 5/8"	B-C1	34'	C-D	6'-5 1/8"	D-G	17'-9 3/8"
A-D	34'	B-C2	14'-2 3/4"	C-E	20'	D-H	27'-2 3/8"
A-E	27'-2 3/8"	B-D	31'-1 1/8"	C-F	14'-5 1/8"	D-I	32'-9 1/8"
A-F	17'-9 3/8"	B-E	39'-5 3/8"	C-G	30'-5"	D-H1	29'-7"
A-G	11'-3 3/4"	B-F	28'-7 5/8"	C-H	28'-7 5/8"	D-H2	25'-2 3/4"
A-H	21'-6 3/4"	B-G	30'-5"	C-I	25'-11 3/8"	D-H3	23'-5 3/8"
A-H1	13'-8 3/8"	B-H	14'-5 1/8"	C-H1	28'-3 3/4"	D-H4	28'-0 7/8"
A-H2	10'-0 1/8"	B-H1	8'-0 5/8"	C-H2	29'-6"	D-H5	7'-0 5/8"
A-H3	12'	B-H2	10'-8 1/8"	C-H3	27'-7 1/8"	D-H6	22'-3 5/8"
A-H4	15'-2 1/2"	B-H3	18'-3 1/4"	C-H4	26'-3 3/4"	D-I	20'-9 3/4"
A-H5	26'-11 3/8"	B-H4	18'-10 1/4"	C-H5	21'-1 7/8"	D-J	21'-6 3/4"
A-H6	28'-5 5/8"	B-H5	11'-7 5/8"	C-H6	12'-5 3/4"	D-S1	3'-3 3/4"
A-I	20'-9 3/4"	B-H6	33'-6 3/8"	C-I	18'-9 1/2"	D-S2	9'-7 7/8"
		B-I	21'-7 7/8"	C-J	8'-0 5/8"		
		B-J	18'-9 1/2"	C-S1	17'-11"		
			25'-11 3/8"	C-S2	10'-4 1/8"		

<b>Date:</b> 5/10/2022	<b>Perimeter:</b> 89'-7 1/4"	 cardinalpools.com
<b>Drawn By:</b> JESSE H	<b>Area:</b> 503.8 SQ. FT.	
<b>Scale:</b> 1/8" = 1'-0"	<b>Notes:</b> - - - -	

This information is the confidential property of Cardinal Systems, Inc. Disclosure or duplication without proper written approval is strictly prohibited. Acceptance and use of this drawing constitutes knowledge and acceptance by the user of the terms and conditions set forth in the notice and warning which accompanied this drawing is incorporated herein and made part hereof and is found on Cardinal Systems, Inc's website at www.CardinalSystemsInc.com



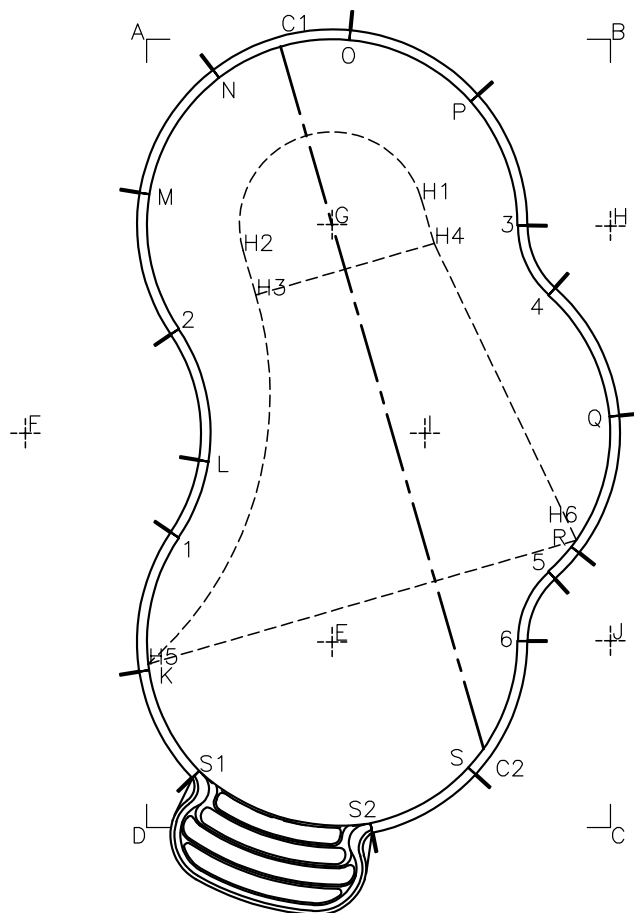
**Pool Size:** 16' X 34'

**Pool Shape:** OASIS

**Pool Number:** 1634OASIS – (PLASTIC)

**Approx Gal:** 18,326

250 Route 61 South, Schuylkill Haven, PA 17972 • 570-385-4733 • fax: 570-385-1318 • CustomerService@CardinalSystemsinc.com



**Date:** 5/10/2022

**Perimeter:** 89'–7 1/4"

**Drawn By:** JESSE H

**Area:** 503.8 SQ. FT.

**Scale:** 1/8" = 1'–0"

**Notes:** – – – –



This information is the confidential property of Cardinal Systems, Inc. Disclosure or duplication without proper written approval is strictly prohibited. Acceptance and use of this drawing constitutes knowledge and acceptance by the user of the terms and conditions set forth in the notice and warning which accompanied this drawing is incorporated herein and made part hereof and is found on Cardinal Systems, Inc's website at www.CardinalSystemsInc.com



**Pool Size:** 18' X 36'

**Pool Shape:** OASIS

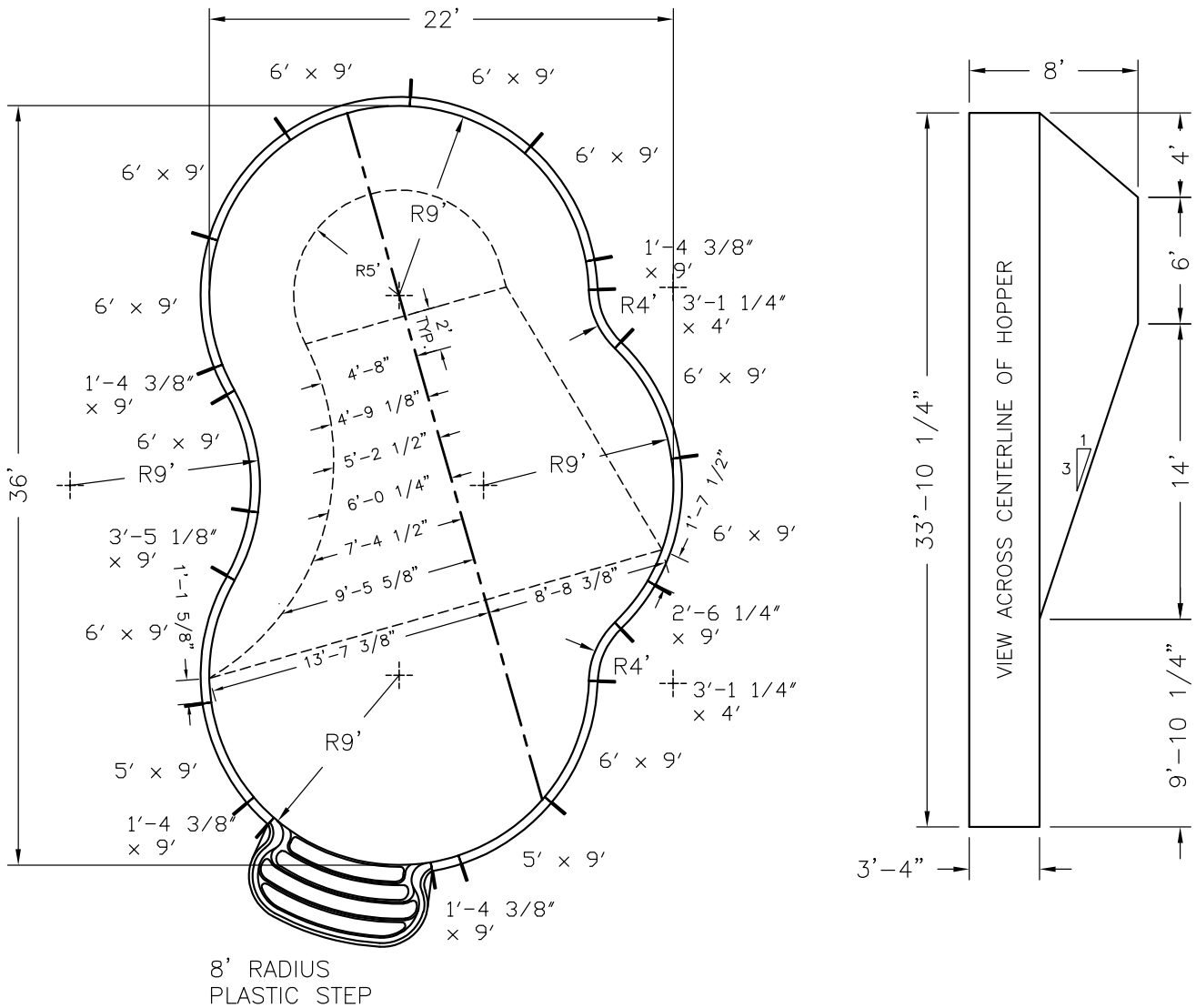
**Approx Gal:** 21,818


**Pool Number:** 18360ASIS – (PLASTIC)

250 Route 61 South, Schuylkill Haven, PA 17972 • 570-385-4733 • fax: 570-385-1318 • CustomerService@CardinalSystemsinc.com

Bill of Materials

PART NO.	QUANTITY	DESCRIPTION
"A" FRAME	21	"A" FRAME ASSEMBLY
5C42262XX09000	1	2'-6 1/4" x 9' Radius C PANEL W/0 Z
5C42500XX09000	2	5' x 9' Radius C PANEL W/0 Z
5C42600XX09000	9	6' x 9' Radius C PANEL W/0 Z
5C42143XX09000	4	1'-4 3/8" x 9' Radius C PANEL W/0 Z
5R42312XX04000	2	3'-1 1/4" x 4' Radius R PANEL W/0 Z
5R42351XX09000	1	3'-5 1/8" x 9' Radius R PANEL W/0 Z
5R42600XX09000	1	6' x 9' Radius R PANEL W/0 Z



<b>Date:</b> 5/10/2022	<b>Perimeter:</b> 95'-7 1/4"	 cardinalpools.com
<b>Drawn By:</b> JESSE H	<b>Area:</b> 599.8 SQ. FT.	
<b>Scale:</b> 1/8" = 1'-0"	<b>Notes:</b> -----	

This information is the confidential property of Cardinal Systems, Inc. Disclosure or duplication without proper written approval is strictly prohibited. Acceptance and use of this drawing constitutes knowledge and acceptance by the user of the terms and conditions set forth in the notice and warning which accompanied this drawing is incorporated herein and made part hereof and is found on Cardinal Systems, Inc's website at www.CardinalSystemsInc.com



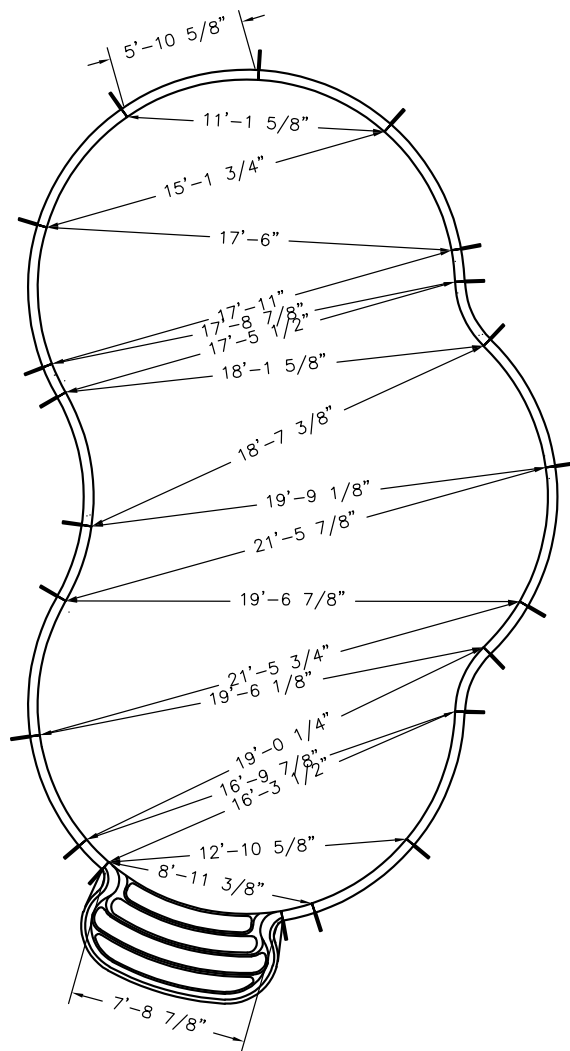
**Pool Size:** 18' X 36'

**Pool Shape:** OASIS

**Approx Gal:** 21,818

**Pool Number:** 1836OASIS – (PLASTIC)

250 Route 61 South, Schuylkill Haven, PA 17972 • 570-385-4733 • fax: 570-385-1318 • CustomerService@CardinalSystemsinc.com



**Date:** 5/10/2022

**Perimeter:** 95'-7 1/4"

**Drawn By:** JESSE H

**Area:** 599.8 SQ. FT.

**Scale:** 1/8" = 1'-0"

**Notes:** - - - -



cardinalpools.com

This information is the confidential property of Cardinal Systems, Inc. Disclosure or duplication without proper written approval is strictly prohibited. Acceptance and use of this drawing constitutes knowledge and acceptance by the user of the terms and conditions set forth in the notice and warning which accompanied this drawing is incorporated herein and made part hereof and is found on Cardinal Systems, Inc's website at www.CardinalSystemsInc.com



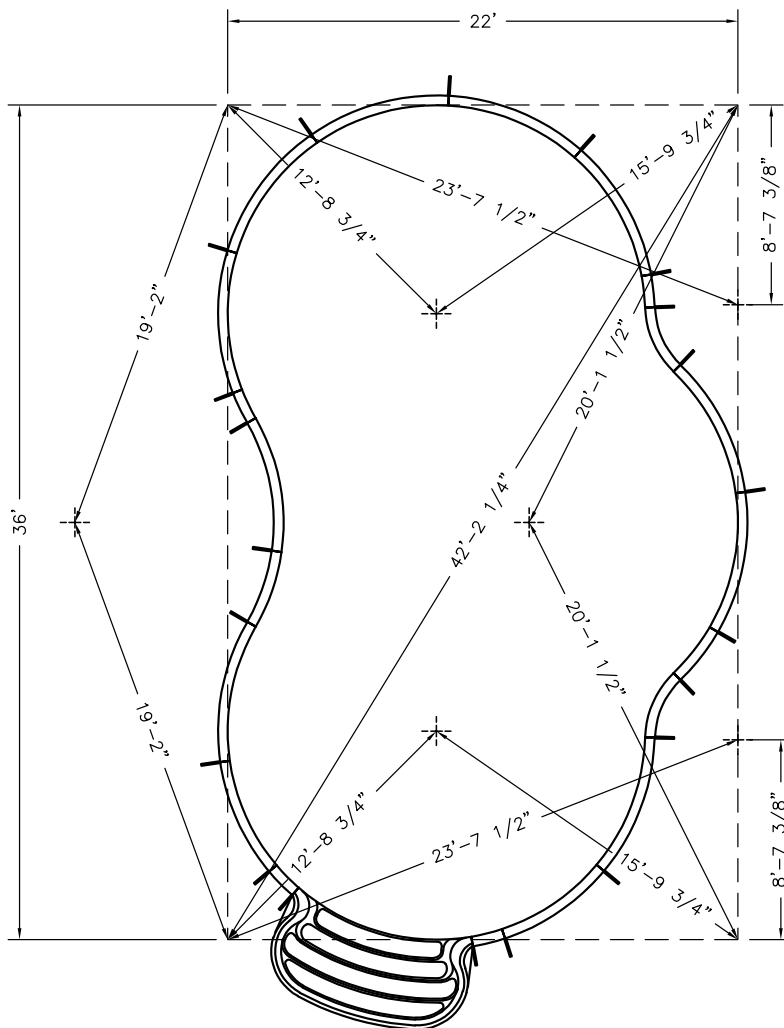
**Pool Size:** 18' X 36'

**Pool Shape:** OASIS

**Approx Gal:** 21,818

**Pool Number:** 18360ASIS – (PLASTIC)

250 Route 61 South, Schuylkill Haven, PA 17972 • 570-385-4733 • fax: 570-385-1318 • CustomerService@CardinalSystemsinc.com



**Date:** 5/10/2022

**Perimeter:** 95' - 7 1/4"

**Drawn By:** JESSE H

**Area:** 599.8 SQ. FT.

**Scale:** 1/8" = 1'-0"

**Notes:** -----



cardinalpools.com

This information is the confidential property of Cardinal Systems, Inc. Disclosure or duplication without proper written approval is strictly prohibited. Acceptance and use of this drawing constitutes knowledge and acceptance by the user of the terms and conditions set forth in the notice and warning which accompanied this drawing is incorporated herein and made part hereof and is found on Cardinal Systems, Inc's website at www.CardinalSystemsInc.com





**Pool Size:** 18' X 36'

**Pool Shape:** OASIS

**Approx Gal:** 21,818

**Pool Number:** 1836OASIS – (PLASTIC)

250 Route 61 South, Schuylkill Haven, PA 17972 • 570-385-4733 • fax: 570-385-1318 • CustomerService@CardinalSystemsinc.com

HOPPER DIG POINTS	F-J	30'-1"	E-H5	9'	I-H1	10'-4 3/4"	
POINTS	DISTANCE						
E-F	18'	G-I	9'-10 1/8"	G-H1	5'	I-H2	10'-9 1/4"
E-G	18'	G-J	22'-6 1/8"	G-H2	5'	I-H3	9'-5 5/8"
E-H	22'-6 1/8"	H-I	13'	G-H3	5'-1 1/4"	I-H4	9'
E-I	9'-10 1/8"	H-J	18'-9 1/4"	G-H4	17'-4 1/8"	I-H5	15'-10 3/4"
F-J	13'	I-J	13'	G-H5	20'-3 1/8"	J-H1	21'-4 5/8"
F-G	18'	E-H1	19'-11 1/2"	H-H1	8'-2 7/8"	J-H2	23'-8 5/8"
F-H	30'-1"	E-H2	16'-3 3/4"	H-H2	17'-7 5/8"	J-H3	20'-4 5/8"
F-I	19'-7"	E-H3	19'-1 1/8"	H-H3	17'-10 7/8"	J-H4	6'-4 1/4"
		E-H4	13'-9 3/4"	H-H4	12'-5 3/8"	J-H5	21'-11 7/8"
				H-H5	28'-9 1/8"		

PANEL TO HOPPER POINTS	2-H2	4'-0 1/8"	4-H1	6'-7 7/8"	5-H5	19'-4 7/8"	
POINTS	DISTANCE						
1-H1	19'-5 7/8"	2-H3	13'-9 3/8"	4-H2	14'-8"	6-H1	20'-0 7/8"
1-H2	11'-8 1/4"	2-H4	21'-7 1/2"	4-H3	5'-10 7/8"	6-H2	20'-10 3/8"
1-H3	18'-11 3/8"	2-H5	13'-8 3/8"	4-H4	9'-9 3/4"	6-H3	19'-0 7/8"
1-H4	20'-3 3/4"	3-H1	4'-3 7/8"	4-H5	24'-9 1/2"	6-H4	7'-1 3/8"
1-H5	4'-9 5/8"	3-H2	13'-8 1/8"	5-H1	17'-8 1/2"	6-H5	18'
2-H1	13'-10 7/8"	3-H3	3'-11"	5-H2	19'-8 3/4"		
		3-H4	12'-9 5/8"	5-H3	16'-8 1/2"		
		3-H5	25'-9"	5-H4	4'-1 1/4"		

PANEL TO PANEL POINTS	2-P	12'-2"	4-C1	16'-10 3/4"	5-S	17'-2"	
POINTS	DISTANCE						
1-C1	22'-9 1/2"	2-Q	15'-10"	4-C2	21'-8 1/8"	5-S1	18'-7 5/8"
1-C2	17'-11"	2-R	17'-9 1/8"	4-K	27'-3 3/4"	5-S2	14'-4"
1-K	10'-3 7/8"	2-S	17'-8 7/8"	4-L	25'-5 3/8"	5-T	8'-2 1/2"
1-L	5'-10 5/8"	2-S1	20'-4 1/8"	4-M	18'-7 3/8"	5-U	20'-6 1/8"
1-M	3'-4 7/8"	2-S2	24'-2 3/4"	4-N	18'-7 1/2"	5-V	8'-11"
1-N	10'-2 7/8"	2-T	20'-11 1/2"	4-O	19'-6 1/4"	5-W	13'-3 5/8"
1-O	16'-1 1/2"	2-U	21'-6 5/8"	4-P	18'-3 3/8"	6-C1	29'-3 1/8"
1-P	21'-0 1/2"	2-V	24'-2 7/8"	4-Q	15'-0 1/2"	6-C2	6'-0 3/4"
1-Q	23'-11 5/8"	2-W	24'-5 5/8"	4-R	10'-2 1/4"	6-K	16'-9 7/8"
1-R	24'-5 3/4"	3-C1	14'-2 3/8"	4-S	4'-4 1/8"	6-L	17'-11 1/4"
1-S	22'-5 7/8"	3-C2	24'-3 3/8"	4-S1	27'-6 1/8"	6-M	17'-7 1/8"
1-S1	11'-4 7/8"	3-K	28'-10"	4-S2	25'-10 5/8"	6-N	22'-11 3/8"
1-S2	16'-3 1/2"	3-L	26'-6 1/8"	4-T	5'-10 5/8"	6-O	27'-3 3/4"
1-T	21'-5 7/8"	3-M	18'-10 3/4"	4-U	11'-1 5/8"	6-P	29'-3 1/2"
1-U	19'-6 7/8"	3-N	17'-8 7/8"	4-V	21'-6 3/8"	6-Q	28'-6 1/2"
1-V	17'-11 1/4"	3-O	17'-9 1/8"	4-W	25'-1 7/8"	6-R	25'-2 3/8"
1-W	16'-9 7/8"	3-P	15'-10"	5-C1	27'-3 3/8"	6-S	19'-10 5/8"
2-C1	14'-2 3/8"	3-Q	12'-2"	5-C2	9'-1"	6-S1	16'-3 1/2"
2-C2	24'-3 3/8"	3-R	7'-1 7/8"	5-K	19'-0 1/4"	6-S2	11'-4 7/8"
2-K	19'-3 3/4"	3-S	1'-4 1/4"	5-L	19'-6 1/8"	6-T	11'-2 3/4"
2-L	14'-9 7/8"	3-S1	29'-1 3/4"	5-M	17'-8 3/8"	6-U	5'-6"
2-M	5'-10 5/8"	3-S2	28'-1 7/8"	5-N	22'-3 1/8"	6-V	5'-10 5/8"
2-N	1'-4 1/4"	3-T	8'-11"	5-O	26'-1 5/8"	6-W	10'-3 7/8"
2-O	7'-1 7/8"	3-U	14'-0 7/8"	5-P	27'-6 3/4"		
		3-V	24'-1 5/8"	5-Q	26'-4 1/8"		
		3-W	27'-6 1/8"	5-R	22'-7 3/4"		

BOX POINTS	A-J	35'-1 1/2"	B-S1	38'-8 1/2"	D-C1	36'-3"	
POINTS	DISTANCE						
A-B	22'	A-S1	33'-10 3/4"	B-S2	37'-8"	D-C2	16'-1"
A-C	42'-2 1/4"	A-S2	37'-4 1/2"	C-C1	38'-10 3/8"	D-E	12'-8 3/4"
A-C1	6'-6 5/8"	B-C	36'	C-C2	6'-11 1/4"	D-F	19'-2"
A-C2	36'-6"	B-C1	15'-5 1/2"	C-D	22'	D-G	28'-5 1/2"
A-D	36'	B-C2	33'-5 7/8"	C-E	15'-9 3/4"	D-H	35'-1 1/2"
A-E	28'-5 1/2"	B-D	42'-2 1/4"	C-F	33'-9 3/8"	D-H1	31'-6 5/8"
A-F	19'-2"	B-E	29'-11 5/8"	C-G	29'-11 5/8"	D-H2	25'-1 3/8"
A-G	12'-8 3/4"	B-F	33'-9 3/8"	C-H	27'-4 5/8"	D-H3	30'-9 3/4"
A-H	23'-7 1/2"	B-G	15'-9 3/4"	C-H1	29'-6 1/4"	D-H4	26'-1 7/8"
A-H1	15'-9 3/8"	B-H	8'-7 3/8"	C-H2	30'-2 7/8"	D-H5	8'-10 1/4"
A-H2	12'-2 1/4"	B-H1	11'-2 3/8"	C-H3	28'-6 1/4"	D-I	22'-2 1/2"
A-H3	16'-6"	B-H2	20'-9 3/8"	C-H4	14'-11 1/2"	D-J	23'-7 1/2"
A-H4	30'-0 3/4"	B-H3	11'-8 1/4"	C-H5	23'-8 1/2"	D-S1	3'-9 1/2"
A-H5	27'-1 3/4"	B-H4	21'-0 3/4"	C-I	20'-1 1/2"	D-S2	10'-6"
A-I	22'-2 1/2"	B-H5	34'-11 1/4"	C-J	8'-7 3/8"		
		B-I	20'-1 1/2"	C-S1	19'-0 7/8"		
		B-J	27'-4 5/8"	C-S2	11'-6"		

**Date:** 5/10/2022

**Perimeter:** 95'-7 1/4"

**Drawn By:** JESSE H

**Area:** 599.8 SQ. FT.

**Scale:** 1/8" = 1'-0"

**Notes:** - - - -



cardinalpools.com

This information is the confidential property of Cardinal Systems, Inc. Disclosure or duplication without proper written approval is strictly prohibited. Acceptance and use of this drawing constitutes knowledge and acceptance by the user of the terms and conditions set forth in the notice and warning which accompanied this drawing is incorporated herein and made part hereof and is found on Cardinal Systems, Inc's website at www.CardinalSystemsInc.com



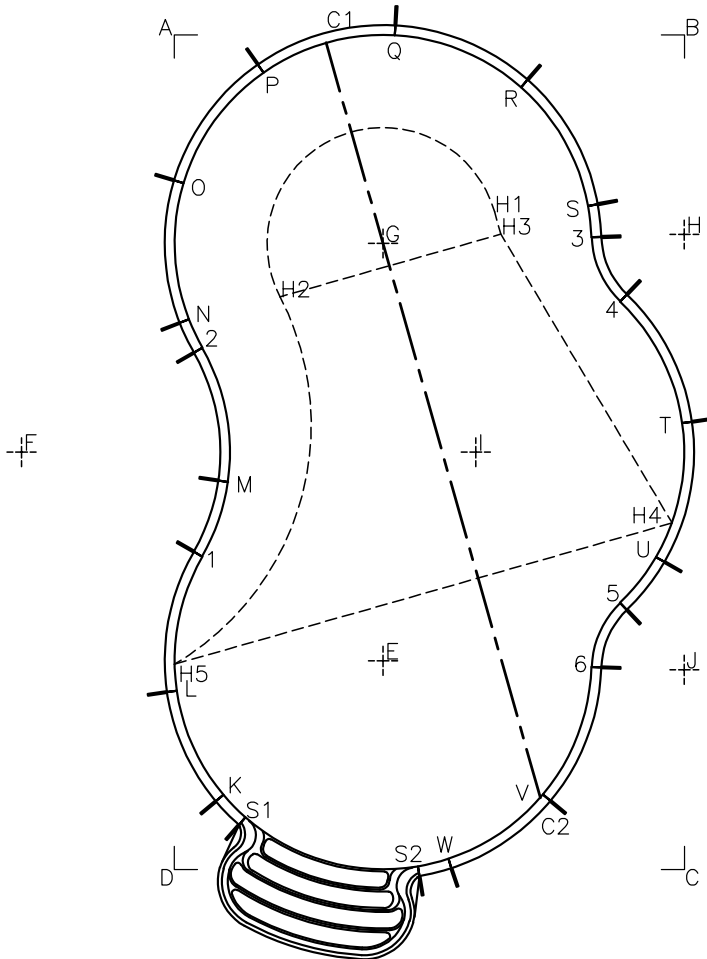
**Pool Size:** 18' X 36'

**Pool Shape:** OASIS

**Approx Gal:** 21,818

**Pool Number:** 18360ASIS – (PLASTIC)

250 Route 61 South, Schuylkill Haven, PA 17972 • 570-385-4733 • fax: 570-385-1318 • CustomerService@CardinalSystemsinc.com



**Date:** 5/10/2022

**Perimeter:** 95' - 7 1/4"

**Drawn By:** JESSE H

**Area:** 599.8 SQ. FT.

**Scale:** 1/8" = 1'-0"

**Notes:** -----



cardinalpools.com

This information is the confidential property of Cardinal Systems, Inc. Disclosure or duplication without proper written approval is strictly prohibited. Acceptance and use of this drawing constitutes knowledge and acceptance by the user of the terms and conditions set forth in the notice and warning which accompanied this drawing is incorporated herein and made part hereof and is found on Cardinal Systems, Inc's website at www.CardinalSystemsInc.com



**Pool Size:** 18' X 38'

**Pool Shape:** OASIS

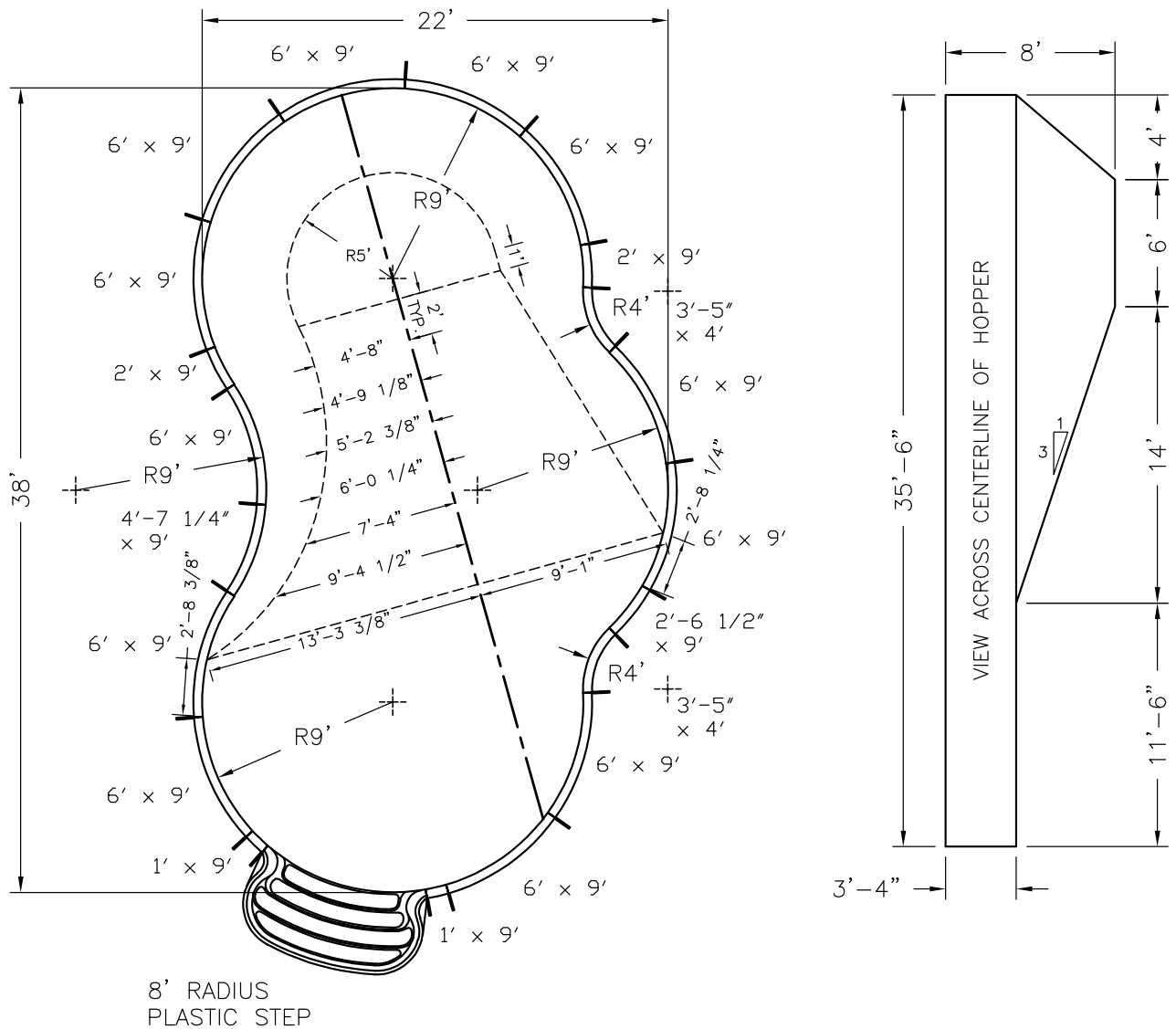
**Approx Gal:** 22,811

**Pool Number:** 18380ASIS – (PLASTIC)

250 Route 61 South, Schuylkill Haven, PA 17972 • 570-385-4733 • fax: 570-385-1318 • CustomerService@CardinalSystemsinc.com

Bill of Materials

PART NO.	QUANTITY	DESCRIPTION
"A" FRAME	21	"A" FRAME ASSEMBLY
5C42100XX09000	2	1' x 9' Radius C PANEL W/O Z
5C42200XX09000	2	2' x 9' Radius C PANEL W/O Z
5C42264XX09000	1	2'-6 1/2" x 9' Radius C PANEL W/O Z
5C42600XX09000	11	6' x 9' Radius C PANEL W/O Z
5R42350XX04000	2	3'-5" x 4' Radius R PANEL W/O Z
5R42472XX09000	1	4'-7 1/4" x 9' Radius R PANEL W/O Z
5R42600XX09000	1	6' x 9' Radius R PANEL W/O Z



**Date:** 5/10/2022

**Perimeter:** 99'-11 5/8"

**Drawn By:** JESSE H

**Area:** 627.1 SQ. FT.

**Scale:** 1/8" = 1'-0"

**Notes:** - - - -



This information is the confidential property of Cardinal Systems, Inc. Disclosure or duplication without proper written approval is strictly prohibited. Acceptance and use of this drawing constitutes knowledge and acceptance by the user of the terms and conditions set forth in the notice and warning which accompanied this drawing is incorporated herein and made part hereof and is found on Cardinal Systems, Inc's website at www.CardinalSystemsInc.com



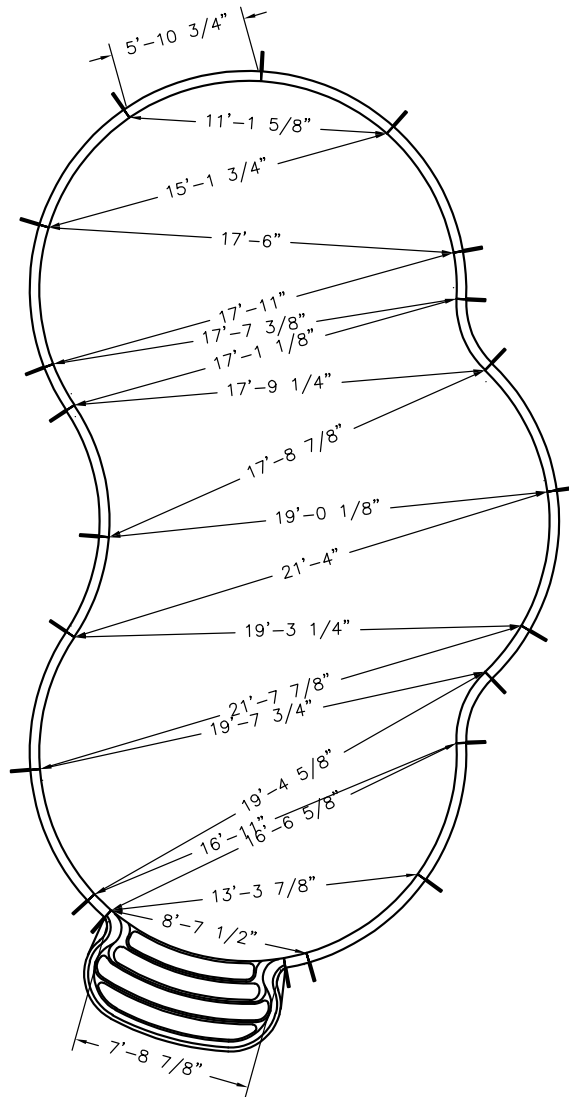
**Pool Size:** 18' X 38'

**Pool Shape:** OASIS

**Approx Gal:** 22,811

**Pool Number:** 18380OASIS – (PLASTIC)

250 Route 61 South, Schuylkill Haven, PA 17972 • 570-385-4733 • fax: 570-385-1318 • CustomerService@CardinalSystemsinc.com



**Date:** 5/10/2022

**Perimeter:** 99'-11 5/8"

**Drawn By:** JESSE H

**Area:** 627.1 SQ. FT.

**Scale:** 1/8" = 1'-0"

**Notes:** -----



cardinalpools.com

This information is the confidential property of Cardinal Systems, Inc. Disclosure or duplication without proper written approval is strictly prohibited. Acceptance and use of this drawing constitutes knowledge and acceptance by the user of the terms and conditions set forth in the notice and warning which accompanied this drawing is incorporated herein and made part hereof and is found on Cardinal Systems, Inc's website at www.CardinalSystemsInc.com



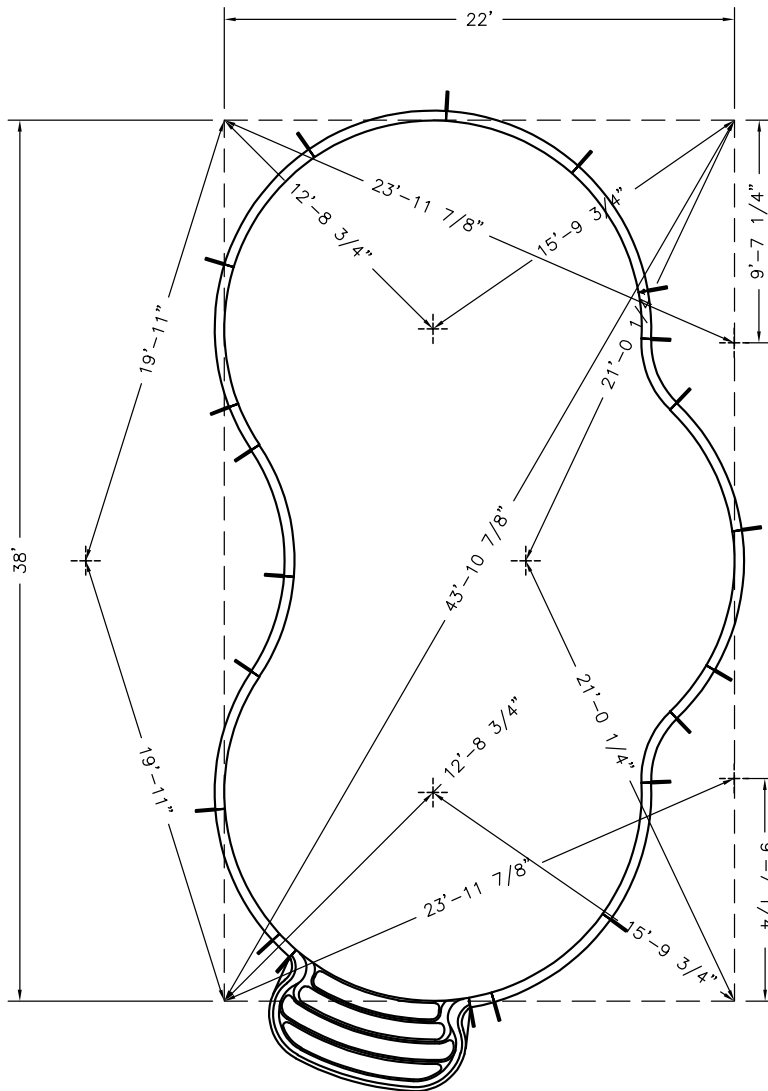
**Pool Size:** 18' X 38'

**Pool Shape:** OASIS

**Approx Gal:** 22,811

**Pool Number:** 18380ASIS – (PLASTIC)

250 Route 61 South, Schuylkill Haven, PA 17972 • 570-385-4733 • fax: 570-385-1318 • CustomerService@CardinalSystemsinc.com



**Date:** 5/10/2022

**Perimeter:** 99'-11 5/8"

**Drawn By:** JESSE H

**Area:** 627.1 SQ. FT.

**Scale:** 1/8" = 1'-0"

**Notes:** - - - -



cardinalpools.com

This information is the confidential property of Cardinal Systems, Inc. Disclosure or duplication without proper written approval is strictly prohibited. Acceptance and use of this drawing constitutes knowledge and acceptance by the user of the terms and conditions set forth in the notice and warning which accompanied this drawing is incorporated herein and made part hereof and is found on Cardinal Systems, Inc's website at www.CardinalSystemsInc.com



**Pool Size:** 18' X 38'

**Pool Shape:** OASIS

**Approx Gal:** 22,811

**Pool Number:** 18380ASIS – (PLASTIC)


250 Route 61 South, Schuylkill Haven, PA 17972 • 570-385-4733 • fax: 570-385-1318 • CustomerService@CardinalSystemsinc.com

HOPPER DIG POINTS		F-J	29'-5 7/8"	E-H5	15'-0 3/4"	I-H1	11'-4 3/8"
POINTS	DISTANCE	G-H	13'	G-H1	5'	I-H2	11'-5 3/8"
E-F	18'	G-I	10'-9 1/4"	G-H2	5'	I-H3	10'-5 1/4"
E-G	20'	G-J	23'-4 1/8"	G-H3	5'-1 1/4"	I-H4	15'-1"
E-H	23'-4 1/8"	H-I	13'	G-H4	20'-0 3/8"	I-H5	9'
E-I	10'-9 1/4"	H-J	18'-9 1/2"	G-H5	17'-6 3/8"	J-H1	22'-3 3/8"
E-J	13'	I-J	13'	H-H1	8'-4 3/4"	J-H2	24'-5 1/4"
F-G	18'	E-H1	21'-10 1/2"	H-H2	17'-6 1/4"	J-H3	21'-3 1/2"
F-H	29'-5 7/8"	E-H2	18'-3 1/4"	H-H3	7'-11 1/2"	J-H4	21'-9 5/8"
F-I	18'-11 5/8"	E-H3	21'	H-H4	27'-10 3/8"	J-H5	7'-4 1/2"
		E-H4	9'	H-H5	11'-5"		

PANEL TO HOPPER POINTS		2-H2	4'-0 7/8"	4-H1	7'-3"	5-H5	5'-1 7/8"
POINTS	DISTANCE	2-H3	13'-8"	4-H2	14'-8 5/8"	6-H1	21'-4"
1-H1	20'-5 3/8"	2-H4	13'-0 7/8"	4-H3	6'-5 1/8"	6-H2	21'-11"
1-H2	13'-1"	2-H5	21'-5 1/4"	4-H4	23'-10 7/8"	6-H3	20'-4"
1-H3	19'-10 1/4"	3-H1	4'-6 3/8"	4-H5	8'-10 3/4"	6-H4	17'-10"
1-H4	3'-3 3/8"	3-H2	13'-6 7/8"	5-H1	18'-7 3/4"	6-H5	8'-5 1/2"
1-H5	20'-5 5/8"	3-H3	3'-11 7/8"	5-H2	20'-5 1/4"		
2-H1	13'-10"	3-H4	25'	5-H3	17'-7 3/4"		
		3-H5	12'-2 3/8"	5-H4	19'-0 3/4"		

PANEL TO PANEL POINTS		2-P	12'-7 1/2"	4-C1	17'-6 1/2"	5-S	18'-1 1/2"
POINTS	DISTANCE	2-Q	16'-1 5/8"	4-C2	22'-3 1/8"	5-S1	19'-1 1/2"
1-C1	24'-2 1/2"	2-R	17'-10 1/4"	4-K	28'-2 1/4"	5-S2	15'-1 1/8"
1-C2	17'-11 7/8"	2-S	17'-7 3/8"	4-L	25'-9 1/4"	5-T	8'-2 5/8"
1-K	11'-1 5/8"	2-S1	21'-10 1/4"	4-M	17'-8 7/8"	5-U	2'-6 3/8"
1-L	5'-10 5/8"	2-S2	25'-6 1/4"	4-N	18'-7 1/2"	5-V	9'-2 3/8"
1-M	4'-6 5/8"	2-T	20'-8 3/4"	4-O	19'-9 5/8"	5-W	14'-4 1/2"
1-N	11'-9 5/8"	2-U	21'-5 7/8"	4-P	18'-9 3/4"	6-C1	30'-5 5/8"
1-O	17'-8 1/4"	2-V	25'-0 7/8"	4-Q	15'-9 3/8"	6-C2	6'-2 7/8"
1-P	22'-6 3/8"	2-W	25'-8"	4-R	11'-0 5/8"	6-K	16'-11"
1-Q	25'-3 1/2"	3-C1	14'-7"	4-S	5'-3"	6-L	18'
1-R	25'-6 5/8"	3-C2	25'-2 1/4"	4-S1	28'-4"	6-M	17'-5"
1-S	23'-3 1/4"	3-K	30'-0 5/8"	4-S2	26'-9 3/4"	6-N	23'-10 1/2"
1-S1	11'-10 3/4"	3-L	27'-1 1/8"	4-T	5'-10 5/8"	6-O	28'-4 1/4"
1-S2	16'-6 5/8"	3-M	18'-2"	4-U	11'-1 5/8"	6-P	30'-5 3/8"
1-T	21'-4"	3-N	17'-7 3/8"	4-V	21'-11 1/8"	6-Q	29'-9 3/8"
1-U	19'-3 1/4"	3-O	17'-10 1/4"	4-W	26'-3 1/2"	6-R	26'-5 5/8"
1-V	18'	3-P	16'-1 5/8"	5-C1	28'-2"	6-S	21'-1 7/8"
1-W	16'-11"	3-Q	12'-7 1/2"	5-C2	9'-6 5/8"	6-S1	16'-6 5/8"
2-C1	14'-7"	3-R	7'-8 7/8"	5-K	19'-4 5/8"	6-S2	11'-10 3/4"
2-C2	25'-2 1/4"	3-S	1'-11 7/8"	5-L	19'-7 3/4"	6-T	11'-6 3/8"
2-K	21'-1 3/8"	3-S1	30'-3 1/2"	5-M	17'-2 5/8"	6-U	5'-9 3/8"
2-L	15'-9 1/4"	3-S2	29'-4 7/8"	5-N	22'-10 3/8"	6-V	5'-10 5/8"
2-M	5'-10 5/8"	3-T	9'-2 3/8"	5-O	26'-10 1/4"	6-W	11'-1 5/8"
2-N	1'-11 7/8"	3-U	14'-4 1/2"	5-P	28'-4 7/8"		
2-O	7'-8 7/8"	3-V	24'-10 3/8"	5-Q	27'-3 1/8"		
		3-W	28'-11 3/8"	5-R	23'-7 1/4"		

BOX POINTS		A-J	35'-10 7/8"	B-S1	40'-5 3/4"	D-C1	38'-2 7/8"
POINTS	DISTANCE	A-S1	35'-11 1/8"	B-S2	39'-6 3/4"	D-C2	16'-5 5/8"
A-B	22'	A-S2	39'-3 3/4"	C-C1	40'-8 3/8"	D-E	12'-8 3/4"
A-C	43'-10 7/8"	B-C	38'	C-C2	6'-10 1/8"	D-F	19'-11"
A-C1	6'-7 1/8"	B-C1	15'-5"	C-D	22'	D-G	30'-4 3/8"
A-C2	38'-1 1/4"	B-C2	35'-0 3/8"	C-E	15'-9 3/4"	D-H	35'-10 7/8"
A-D	38'	B-D	43'-10 7/8"	C-F	33'-9 3/4"	D-H1	33'-4"
A-E	30'-4 3/8"	B-E	31'-9 3/8"	C-G	31'-9 3/8"	D-H2	27'-1 1/4"
A-F	19'-11"	B-F	33'-9 3/4"	C-H	28'-4 3/4"	D-H3	32'-7"
A-G	12'-8 3/4"	B-G	15'-9 3/4"	C-H1	31'-5 1/8"	D-H4	10'-11 7/8"
A-H	23'-11 7/8"	B-H	9'-7 1/4"	C-H2	31'-11"	D-H5	27'-7 3/8"
A-H1	15'-9 5/8"	B-H1	11'-2 1/2"	C-H3	30'-5 1/8"	D-I	23'-0 1/4"
A-H2	12'-1 7/8"	B-H2	20'-9 3/8"	C-H4	24'-4 3/4"	D-J	23'-11 7/8"
A-H3	16'-6 1/8"	B-H3	11'-8 1/2"	C-H5	16'-11 3/4"	D-S1	3'-9 5/8"
A-H4	27'-0 1/8"	B-H4	34'-8 3/8"	C-I	21'-0 1/4"	D-S2	10'-6 5/8"
A-H5	30'-3 1/8"	B-H5	21'-0 1/4"	C-J	9'-7 1/4"		
A-I	23'-0 1/4"	B-I	21'-0 1/4"	C-S1	19'-0 3/8"		
		B-J	28'-4 3/4"	C-S2	11'-5 3/8"		

<b>Date:</b> 5/10/2022	<b>Perimeter:</b> 99'-11 5/8"	 cardinalpools.com
<b>Drawn By:</b> JESSE H	<b>Area:</b> 627.1 SQ. FT.	
<b>Scale:</b> 1/8" = 1'-0"	<b>Notes:</b> - - - -	

This information is the confidential property of Cardinal Systems, Inc. Disclosure or duplication without proper written approval is strictly prohibited. Acceptance and use of this drawing constitutes knowledge and acceptance by the user of the terms and conditions set forth in the notice and warning which accompanied this drawing is incorporated herein and made part hereof and is found on Cardinal Systems, Inc's website at www.CardinalSystemsInc.com



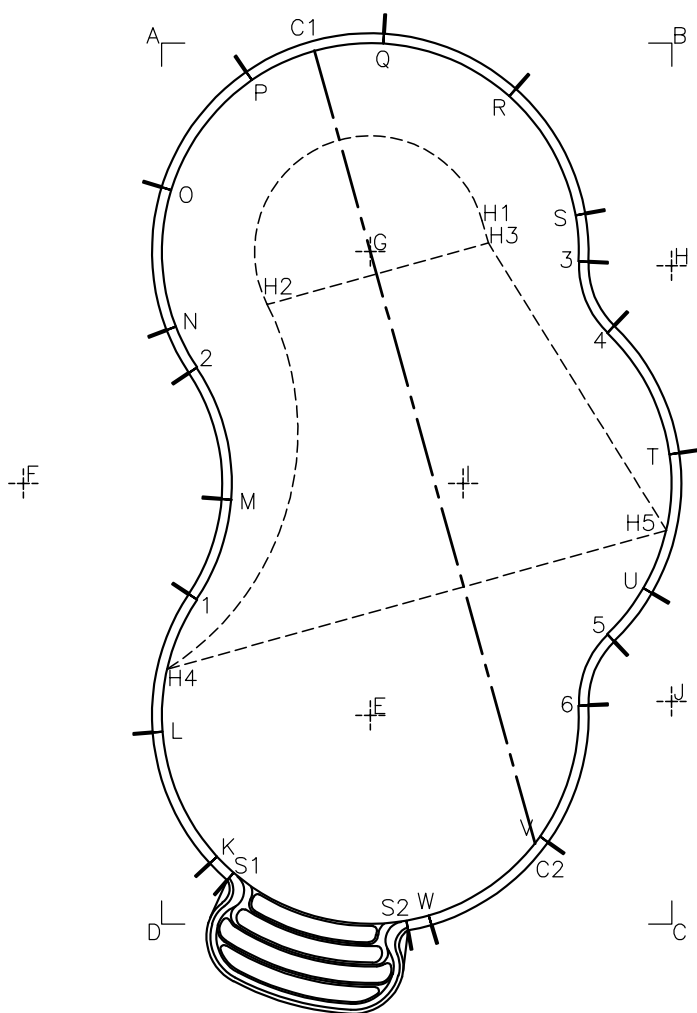
**Pool Size:** 18' X 38'

**Pool Shape:** OASIS

**Pool Number:** 18380ASIS – (PLASTIC)

**Approx Gal:** 22,811

250 Route 61 South, Schuylkill Haven, PA 17972 • 570-385-4733 • fax: 570-385-1318 • CustomerService@CardinalSystemsinc.com



**Date:** 5/10/2022

**Perimeter:** 99' - 11 5/8"

**Drawn By:** JESSE H

**Area:** 627.1 SQ. FT.

**Scale:** 1/8" = 1'-0"

**Notes:** - - - -



This Information Is the confidential property of Cardinal Systems, Inc. Disclosure or duplication without proper written approval is strictly prohibited. Acceptance and use of this drawing constitutes knowledge and acceptance by the user of the terms and conditions set forth in the notice and warning which accompanied this drawing is incorporated herein and made part hereof and is found on Cardinal Systems, Inc's website at www.CardinalSystemsInc.com



**Pool Size:** 20' X 40'

**Pool Shape:** OASIS

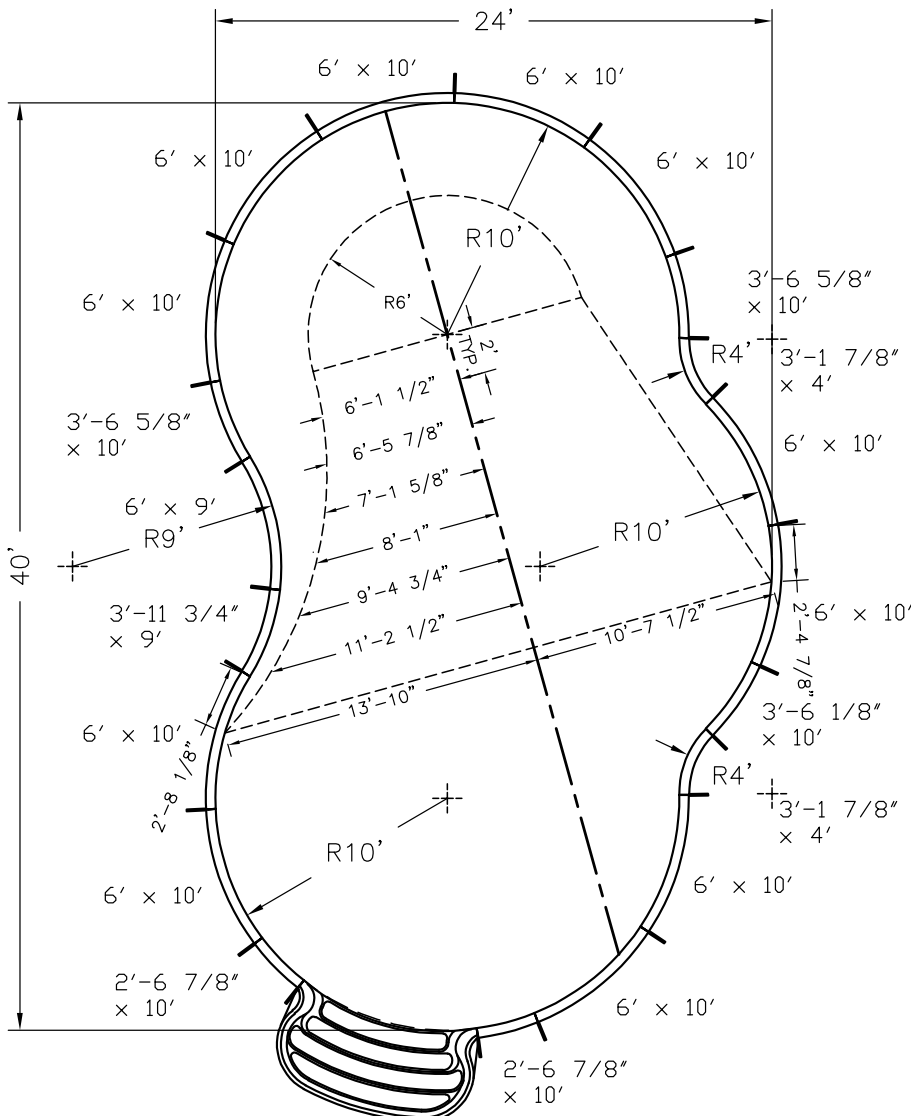
**Approx Gal:** 26,638

**Pool Number:** 20400OASIS – (PLASTIC)

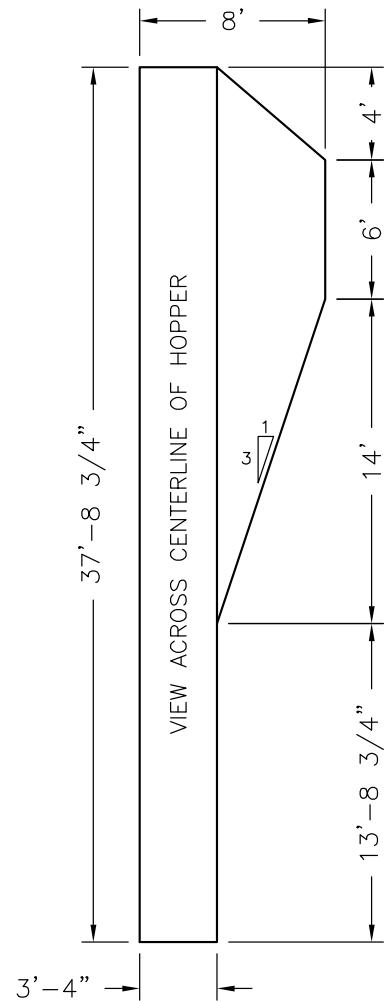
250 Route 61 South, Schuylkill Haven, PA 17972 • 570-385-4733 • fax: 570-385-1318 • CustomerService@CardinalSystemsinc.com


Bill of Materials

PART NO.	QUANTITY	DESCRIPTION
"A" FRAME	21	"A" FRAME ASSEMBLY
5C42267XX10000	2	2'-6 7/8" x 10' Radius C PANEL W/O Z
5C42361XX10000	1	3'-6 1/8" x 10' Radius C PANEL W/O Z
5C42365XX10000	2	3'-6 5/8" x 10' Radius C PANEL W/O Z
5C42600XX10000	11	6' x 10' Radius C PANEL W/O Z
5R42317XX04000	2	3'-1 7/8" x 4' Radius R PANEL W/O Z
5R423E6XX09000	1	3'-11 3/4" x 9' Radius R PANEL W/O Z
5R42600XX09000	1	6' x 9' Radius R PANEL W/O Z



8' RADIUS  
PLASTIC STEP



<b>Date:</b> 5/10/2022	<b>Perimeter:</b> 106'-0 3/4"	 <small>cardinalpools.com</small>
<b>Drawn By:</b> JESSE H	<b>Area:</b> 732.3 SQ. FT.	
<b>Scale:</b> 1/8" = 1'-0"	<b>Notes:</b> -----	

This information is the confidential property of Cardinal Systems, Inc. Disclosure or duplication without proper written approval is strictly prohibited. Acceptance and use of this drawing constitutes knowledge and acceptance by the user of the terms and conditions set forth in the notice and warning which accompanied this drawing is incorporated herein and made part hereof and is found on Cardinal Systems, Inc's website at www.CardinalSystemsInc.com





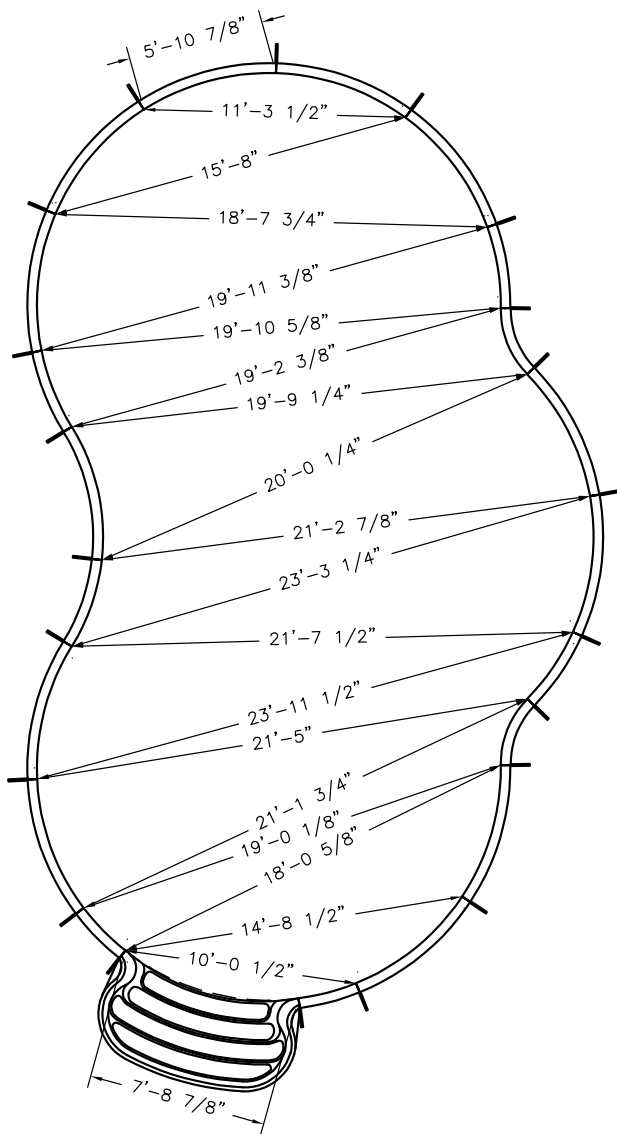
**Pool Size:** 20' X 40'

**Pool Shape:** OASIS

**Approx Gal:** 26,638

**Pool Number:** 2040OASIS – (PLASTIC)

250 Route 61 South, Schuylkill Haven, PA 17972 • 570-385-4733 • fax: 570-385-1318 • CustomerService@CardinalSystemsinc.com



**Date:** 5/10/2022

**Perimeter:** 106'-0 3/4"

**Drawn By:** JESSE H

**Area:** 732.3 SQ. FT.

**Scale:** 1/8" = 1'-0"

**Notes:** - - - -



cardinalpools.com

This information is the confidential property of Cardinal Systems, Inc. Disclosure or duplication without proper written approval is strictly prohibited. Acceptance and use of this drawing constitutes knowledge and acceptance by the user of the terms and conditions set forth in the notice and warning which accompanied this drawing is incorporated herein and made part hereof and is found on Cardinal Systems, Inc's website at www.CardinalSystemsInc.com



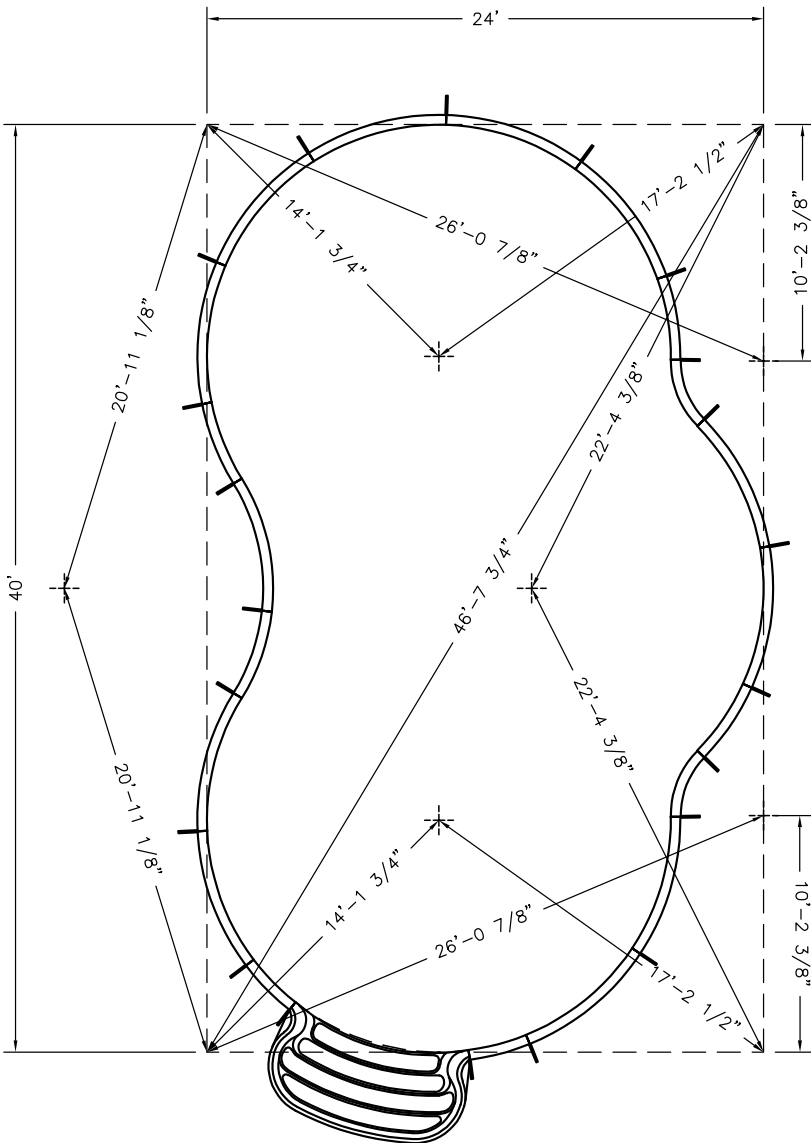
**Pool Size:** 20' X 40'

**Pool Shape:** OASIS

**Approx Gal:** 26,638

**Pool Number:** 20400ASIS – (PLASTIC)

250 Route 61 South, Schuylkill Haven, PA 17972 • 570-385-4733 • fax: 570-385-1318 • CustomerService@CardinalSystemsinc.com



**Date:** 5/10/2022

**Perimeter:** 106'-0 3/4"

**Drawn By:** JESSE H

**Area:** 732.3 SQ. FT.

**Scale:** 1/8" = 1'-0"

**Notes:** -----



cardinalpools.com

This information is the confidential property of Cardinal Systems, Inc. Disclosure or duplication without proper written approval is strictly prohibited. Acceptance and use of this drawing constitutes knowledge and acceptance by the user of the terms and conditions set forth in the notice and warning which accompanied this drawing is incorporated herein and made part hereof and is found on Cardinal Systems, Inc's website at www.CardinalSystemsInc.com



**Pool Size:** 20' X 40'

**Pool Shape:** OASIS

**Approx Gal:** 26,638

**Pool Number:** 20400ASIS – (PLASTIC)

250 Route 61 South, Schuylkill Haven, PA 17972 • 570-385-4733 • fax: 570-385-1318 • CustomerService@CardinalSystemsinc.com

HOPPER DIG POINTS		F-I	20'-1 7/8"	E-H3	10'	I-H1	11'-8 7/8"
POINTS	DISTANCE	F-J	31'-8 1/2"	E-H4	16'-9 3/4"	I-H2	12'-10 3/4"
E-F	19'	G-H	14'	G-H1	6'	I-H3	15'-4 1/2"
E-G	20'	G-I	10'-9 1/4"	G-H2	6'	I-H4	10'
E-H	24'-3"	G-J	24'-3"	G-H3	19'-8 1/8"	J-H1	22'-11 1/8"
E-I	10'-9 1/4"	H-I	14'	G-H4	17'-6 7/8"	J-H2	26'-10 1/2"
F-J	14'	H-J	19'-7 1/8"	H-H1	8'-4 7/8"	J-H3	23'-8 7/8"
F-G	19'	I-J	14'	H-H2	19'-10"	J-H4	9'-1 3/4"
F-H	31'-8 1/2"	E-H1	22'-4 3/8"	H-H3	29'-0 7/8"		
		E-H2	19'-3 1/2"	H-H4	10'-5 1/2"		

PANEL TO HOPPER POINTS		2-H1	15'-10 1/8"	3-H4	11'-2 7/8"	5-H3	20'-8 7/8"
POINTS	DISTANCE	2-H2	4'-6 3/4"	4-H1	7'-0 3/4"	5-H4	6'-11 3/8"
1-H1	21'-8 3/8"	2-H3	11'-11 5/8"	4-H2	16'-11 3/4"	6-H1	21'-10 3/8"
1-H2	13'-5"	2-H4	23'-1 3/8"	4-H3	25'-1 1/2"	6-H2	24'-1 5/8"
1-H3	2'-8 1/8"	3-H1	4'-6 3/4"	4-H4	8'-2"	6-H3	19'-9 1/4"
1-H4	22'-10 1/8"	3-H2	15'-10 1/8"	5-H1	19'-4 1/4"	6-H4	10'-0 1/4"
		3-H3	25'-11 5/8"	5-H2	22'-10 5/8"		

PANEL TO PANEL POINTS		2-P	14'-0 3/8"	4-C1	18'-8 5/8"	5-S	20'-5"
POINTS	DISTANCE	2-Q	17'-7 3/8"	4-C2	24'-0 1/4"	5-S1	20'-5 3/8"
1-C1	25'-0 3/4"	2-R	19'-7 1/2"	4-K	29'-11 1/8"	5-S2	16'-3 1/8"
1-C2	19'-11"	2-S	19'-10 5/8"	4-L	27'-4 7/8"	5-T	9'-1 7/8"
1-K	11'-3 1/2"	2-S1	22'-8 1/2"	4-M	20'-0 1/4"	5-U	3'-5 7/8"
1-L	5'-10 7/8"	2-S2	26'-6 1/4"	4-N	20'-11 5/8"	5-V	8'-11 3/4"
1-M	3'-11 3/8"	2-T	22'-6 5/8"	4-O	21'-5 7/8"	5-W	14'-3 7/8"
1-N	12'-9 7/8"	2-U	23'-4 1/4"	4-P	20'-1 1/8"	6-C1	32'-1 1/4"
1-O	18'-7 7/8"	2-V	26'-4 1/8"	4-Q	16'-11 1/8"	6-C2	7'-4 1/4"
1-P	23'-4 3/8"	2-W	26'-11 1/2"	4-R	12'-3 1/8"	6-K	19'-0 1/8"
1-Q	26'-3"	3-C1	16'	4-S	6'-6 7/8"	6-L	20'
1-R	26'-11 3/4"	3-C2	26'-8 1/2"	4-S1	30'-3 5/8"	6-M	19'-4 1/4"
1-S	25'-5 1/2"	3-K	31'-6 1/8"	4-S2	28'-8"	6-N	26'-8 1/8"
1-S1	13'-3 7/8"	3-L	28'-6"	4-T	5'-10 7/8"	6-O	30'-6 5/8"
1-S2	18'-0 5/8"	3-M	20'-4 1/4"	4-U	11'-3 1/2"	6-P	32'-2 3/8"
1-T	23'-3 1/4"	3-N	19'-10 5/8"	4-V	22'-8 3/8"	6-Q	31'-4 5/8"
1-U	21'-7 1/2"	3-O	19'-7 1/2"	4-W	27'-3 3/8"	6-R	28'-2 7/8"
1-V	20'	3-P	17'-7 3/8"	5-C1	30'	6-S	23'-2 1/2"
1-W	19'-0 1/8"	3-Q	14'-0 3/8"	5-C2	10'-5 1/8"	6-S1	18'-0 5/8"
2-C1	16'	3-R	9'-2 1/4"	5-K	21'-1 3/4"	6-S2	13'-3 7/8"
2-C2	26'-8 1/2"	3-S	3'-6 3/8"	5-L	21'-5"	6-T	12'-2 5/8"
2-K	20'-9 1/8"	3-S1	32'-1 1/8"	5-M	19'-3 5/8"	6-U	6'-6 3/8"
2-L	15'-3 1/4"	3-S2	31'-0 3/8"	5-N	25'-9 1/4"	6-V	5'-10 7/8"
2-M	5'-10 5/8"	3-T	8'-11 3/4"	5-O	29'-2"	6-W	11'-3 1/2"
2-N	3'-6 3/8"	3-U	14'-3 7/8"	5-P	30'-3 7/8"		
2-O	9'-2 1/4"	3-V	25'-5 1/4"	5-Q	29'-1 1/8"		
		3-W	29'-9 3/8"	5-R	25'-7 1/2"		

BOX POINTS		A-J	38'-3 1/8"	B-S1	42'-10 7/8"	D-C1	40'-3 3/4"
POINTS	DISTANCE	A-S1	38'-0 1/2"	B-S2	41'-10 3/4"	D-C2	17'-8 3/8"
A-B	24'	A-S2	41'-5 3/4"	C-C1	43'	D-E	14'-1 3/4"
A-C	46'-7 3/4"	B-C	40'	C-C2	7'-4 3/8"	D-F	20'-11 1/8"
A-C1	7'-4 1/8"	B-C1	16'-8"	C-D	24'	D-G	31'-7 1/2"
A-C2	40'-7 3/4"	B-C2	37'-3 7/8"	C-E	17'-2 1/2"	D-H	38'-3 1/8"
A-D	40'	B-D	46'-7 3/4"	C-F	36'-2 1/4"	D-H1	35'-3 7/8"
A-E	31'-7 1/2"	B-E	33'-1 1/4"	C-G	33'-1 1/4"	D-H2	28'-8 1/2"
A-F	20'-11 1/8"	B-F	36'-2 1/4"	C-H	29'-9 5/8"	D-H3	12'-9 7/8"
A-G	14'-1 3/4"	B-G	17'-2 1/2"	C-H1	32'-7 7/8"	D-H4	30'-9 5/8"
A-H	26'-0 7/8"	B-H	10'-2 3/8"	C-H2	34'-7 3/8"	D-I	24'-5"
A-H1	17'-10 1/2"	B-H1	11'-9"	C-H3	26'-10 1/4"	D-J	26'-0 7/8"
A-H2	12'-4 1/8"	B-H2	22'-11 1/4"	C-H4	19'-4 1/8"	D-S1	4'-4 1/2"
A-H3	27'-2 1/4"	B-H3	35'-11 7/8"	C-I	22'-4 3/8"	D-S2	11'-3 1/4"
A-H4	31'-7 3/4"	B-H4	20'-7 7/8"	C-J	10'-2 3/8"		
A-I	24'-5"	B-I	22'-4 3/8"	C-S1	20'-3 5/8"		
		B-J	29'-9 5/8"	C-S2	12'-8 3/4"		

**Date:** 5/10/2022

**Perimeter:** 106'-0 3/4"

**Drawn By:** JESSE H

**Area:** 732.3 SQ. FT.

**Scale:** 1/8" = 1'-0"

**Notes:** - - - -



cardinalpools.com

This information is the confidential property of Cardinal Systems, Inc. Disclosure or duplication without proper written approval is strictly prohibited. Acceptance and use of this drawing constitutes knowledge and acceptance by the user of the terms and conditions set forth in the notice and warning which accompanied this drawing is incorporated herein and made part hereof and is found on Cardinal Systems, Inc's website at www.CardinalSystemsInc.com



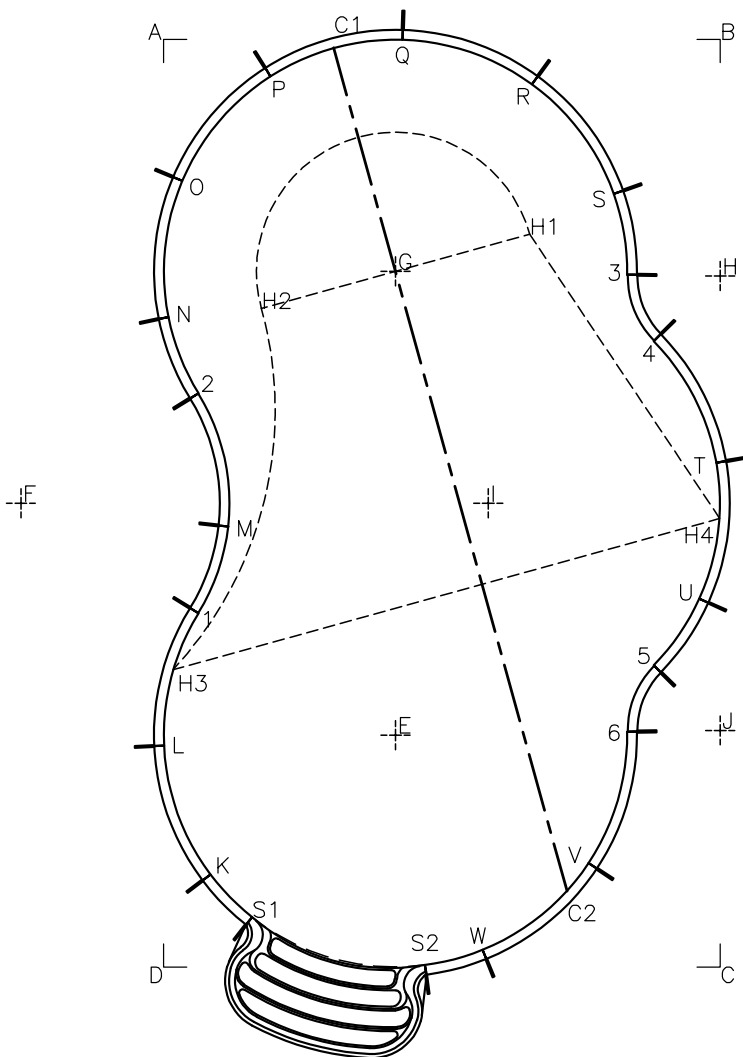
**Pool Size:** 20' X 40'

**Pool Shape:** OASIS

**Approx Gal:** 26,638

**Pool Number:** 20400ASIS – (PLASTIC)

250 Route 61 South, Schuylkill Haven, PA 17972 • 570-385-4733 • fax: 570-385-1318 • CustomerService@CardinalSystemsinc.com



**Date:** 5/10/2022

**Perimeter:** 106'-0 3/4"

**Drawn By:** JESSE H

**Area:** 732.3 SQ. FT.

**Scale:** 1/8" = 1'-0"

**Notes:** -----



cardinalpools.com

This information is the confidential property of Cardinal Systems, Inc. Disclosure or duplication without proper written approval is strictly prohibited. Acceptance and use of this drawing constitutes knowledge and acceptance by the user of the terms and conditions set forth in the notice and warning which accompanied this drawing is incorporated herein and made part hereof and is found on Cardinal Systems, Inc's website at www.CardinalSystemsInc.com

# MOUNTAIN POND

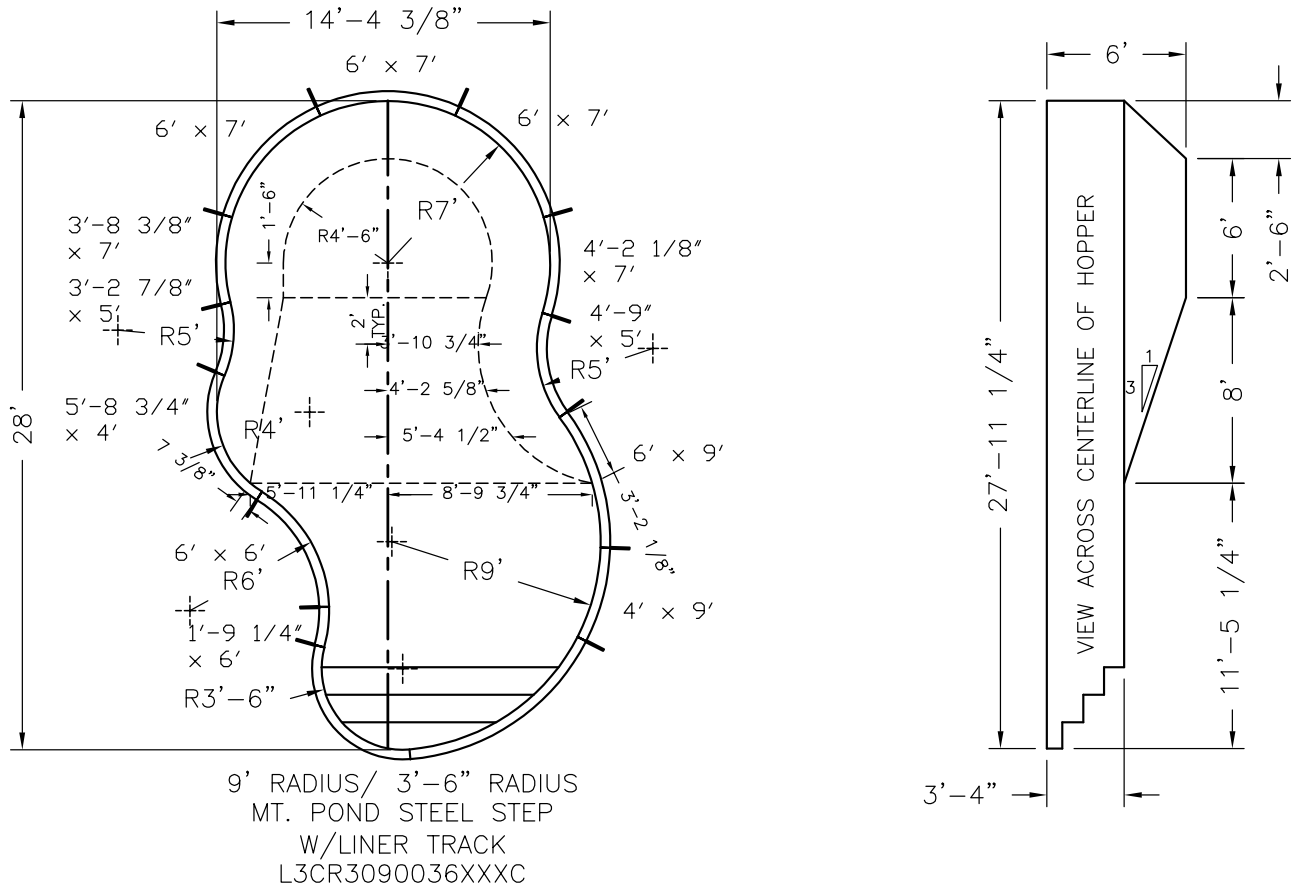


**Pool Size:** 14' X 28'  
**Pool Shape:** MOUNTAIN POND **Approx Gal:** 10,593  
**Pool Number:** 1428MTPND – (STEEL)

250 Route 61 South, Schuylkill Haven, PA 17972 • 570-385-4733 • fax: 570-385-1318 • CustomerService@CardinalSystemsinc.com

## Bill of Materials

PART NO.	QUANTITY	DESCRIPTION
"A" FRAME	13	"A" FRAME ASSEMBLY
L3CR3090036XXXC	1	9' RADIUS/ 3'-6" RADIUS MT. POND STEEL STEP W/LINER TRACK
5C42383XX07000	1	3'-8 3/8" x 7' Radius C PANEL W/O Z
5C42400XX09000	1	4' x 9' Radius C PANEL W/O Z
5C42421XX07000	1	4'-2 1/8" x 7' Radius C PANEL W/O Z
5C42586XX04000	1	5'-8 3/4" x 4' Radius C PANEL W/O Z
5C42600XX07000	3	6' x 7' Radius C PANEL W/O Z
5C42600XX09000	1	6' x 9' Radius C PANEL W/O Z
5R42192XX06000	1	1'-9 1/4" x 6' Radius R PANEL W/O Z
5R42327XX05000	1	3'-2 7/8" x 5' Radius R PANEL W/O Z
5R42490XX05000	1	4'-9" x 5' Radius R PANEL W/O Z
5R42600XX06000	1	6' x 6' Radius R PANEL W/O Z



NOTE: THIS IS A NON DIVING POOL.

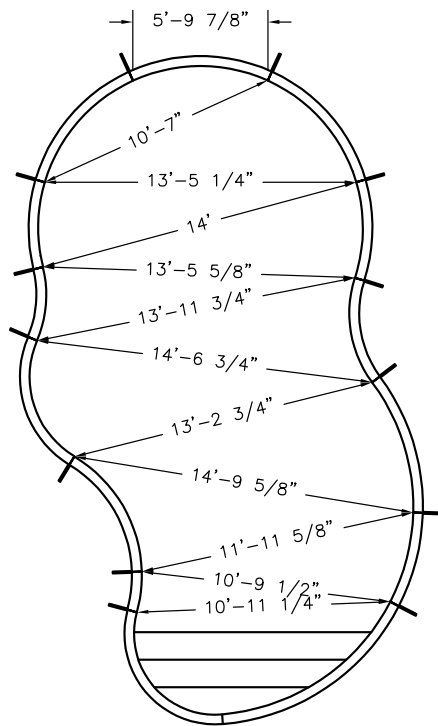
<b>Date:</b> 5/10/2022	<b>Perimeter:</b> 73'-2 1/2"	
<b>Drawn By:</b> JESSE H	<b>Area:</b> 332.3 SQ. FT.	
<b>Scale:</b> 1/8" = 1'-0"	<b>Notes:</b> -----	


This information is the confidential property of Cardinal Systems, Inc. Disclosure or duplication without proper written approval is strictly prohibited. Acceptance and use of this drawing constitutes knowledge and acceptance by the user of the terms and conditions set forth in the notice and warning which accompanied this drawing is incorporated herein and made part hereof and is found on Cardinal Systems, Inc's website at www.CardinalSystemsInc.com



**Pool Size:** 14' X 28'  
**Pool Shape:** MOUNTAIN POND **Approx Gal:** 10,593  
**Pool Number:** 1428MTPND – (STEEL)

250 Route 61 South, Schuylkill Haven, PA 17972 • 570-385-4733 • fax: 570-385-1318 • CustomerService@CardinalSystemsinc.com



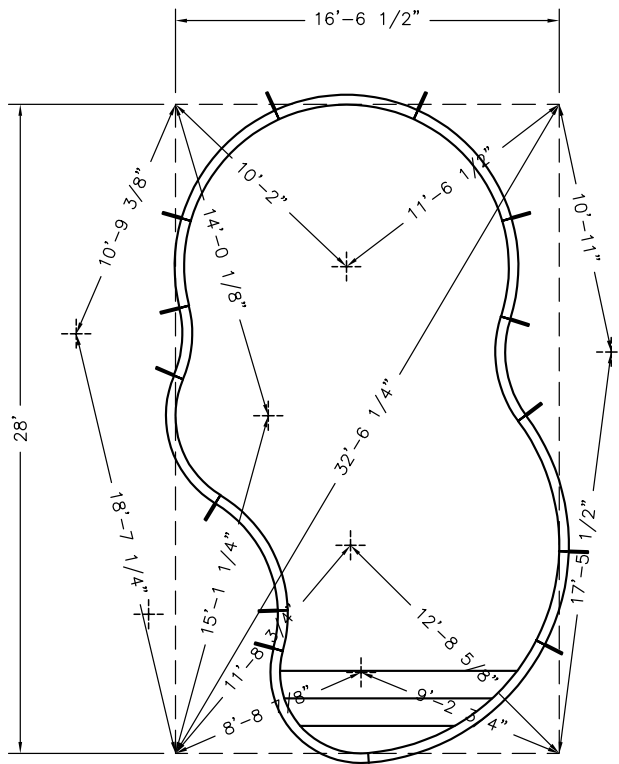
<b>Date:</b> 5/10/2022	<b>Perimeter:</b> 73'-2 1/2"	 cardinalpools.com
<b>Drawn By:</b> JESSE H	<b>Area:</b> 332.3 SQ. FT.	
<b>Scale:</b> 1/8" = 1'-0"	<b>Notes:</b> -----	

This information is the confidential property of Cardinal Systems, Inc. Disclosure or duplication without proper written approval is strictly prohibited. Acceptance and use of this drawing constitutes knowledge and acceptance by the user of the terms and conditions set forth in the notice and warning which accompanied this drawing is incorporated herein and made part hereof and is found on Cardinal Systems, Inc's website at www.CardinalSystemsInc.com



**Pool Size:** 14' X 28'  
**Pool Shape:** MOUNTAIN POND **Approx Gal:** 10,593  
**Pool Number:** 1428MTPND – (STEEL)

250 Route 61 South, Schuylkill Haven, PA 17972 • 570-385-4733 • fax: 570-385-1318 • CustomerService@CardinalSystemsinc.com



**Date:** 5/10/2022

**Perimeter:** 73'-2 1/2"

**Drawn By:** JESSE H

**Area:** 332.3 SQ. FT.

**Scale:** 1/8" = 1'-0"

**Notes:** - - - -



cardinalpools.com

This information is the confidential property of Cardinal Systems, Inc. Disclosure or duplication without proper written approval is strictly prohibited. Acceptance and use of this drawing constitutes knowledge and acceptance by the user of the terms and conditions set forth in the notice and warning which accompanied this drawing is incorporated herein and made part hereof and is found on Cardinal Systems, Inc's website at www.CardinalSystemsInc.com



**Pool Size:** 14' X 28'  
**Pool Shape:** MOUNTAIN POND **Approx Gal:** 10,593  
**Pool Number:** 1428MTPND – (STEEL)


250 Route 61 South, Schuylkill Haven, PA 17972 • 570-385-4733 • fax: 570-385-1318 • CustomerService@CardinalSystemsinc.com

HOPPER DIG POINTS		F-H	7'-3 1/8"	F-H1	9'-0 7/8"	H-H5	12'-11 1/2"
POINTS	DISTANCE	F-I	15'-0 1/2"	F-H2	6'-6 3/8"	J-H1	11'-3 3/8"
		F-J	6'-7 3/8"	F-H3	5'-0 3/4"	J-H2	12'-10 3/4"
E-F	10'	G-H	12'	F-H4	4'	J-H3	11'-6 1/8"
E-G	12'-6"	G-I	23'-1"	F-H5	12'-6 3/4"	J-H4	6'-7 1/4"
E-H	17'-3"	G-J	14'-11 1/8"	H-H1	4'-6"	J-H5	9'
E-I	22'-11 1/4"	H-I	12'	H-H2	4'-6"		
E-J	9'-2 3/8"	H-J	12'-0 1/4"	H-H3	4'-8 7/8"		
F-G	9'	I-J	14'	H-H4	11'-2 3/8"		

PANEL TO HOPPER POINTS		1-H5	14'-3"	3-H2	2'-10 1/8"	4-H4	14'-7"
POINTS	DISTANCE	2-H1	11'-9 3/8"	3-H3	2'-3 5/8"	4-H5	7'-8"
		2-H2	5'-5 7/8"	3-H4	7'-10 1/4"	5-H1	6'-0 5/8"
1-H1	12'-9 3/8"	2-H3	4'-2 5/8"	3-H5	17'-5 1/2"	5-H2	13'-7 5/8"
1-H2	9'-10 3/4"	2-H4	4'-9 1/4"	4-H1	2'-6"	5-H3	12'-11 5/8"
1-H3	8'-4 7/8"	2-H5	16'-6 3/8"	4-H2	11'-4 3/8"	5-H4	13'-7 5/8"
1-H4	7 3/8"	3-H1	11'-0 1/2"	4-H3	11'-2 1/8"	5-H5	3'-2 1/8"

PANEL TO PANEL POINTS		2-C2	17'-6 5/8"	3-N	12'-7 3/8"	4-S2	14'-0 5/8"
POINTS	DISTANCE	2-K	10'-11 1/4"	3-O	8'-11 3/8"	5-C1	15'-6 3/8"
		2-L	17'-10"	3-P	3'-7 7/8"	5-C2	16'-1"
1-C1	17'-8 1/2"	2-M	15'-4 3/8"	3-S1	15'-5 1/8"	5-K	12'-10 3/8"
1-C2	12'-4 1/8"	2-N	15'	3-S2	20'-9 5/8"	5-L	5'-10 5/8"
1-K	5'-9"	2-O	11'-11 5/8"	4-C1	11'-3 3/4"	5-M	8'-7 7/8"
1-L	14'-9 5/8"	2-P	6'-10"	4-C2	19'-11 1/4"	5-N	13'-9 3/8"
1-M	16'-11 1/2"	2-S1	12'-5 3/4"	4-K	15'-7 7/8"	5-O	16'-7 3/8"
1-N	18'-2 7/8"	2-S2	18'-11 1/4"	4-L	10'-5 1/4"	5-P	16'-6 5/8"
1-O	16'-5"	3-C1	11'-0 3/8"	4-M	4'-1 3/8"	5-S1	14'-2 1/4"
1-P	11'-10 3/4"	3-C2	20'-5"	4-N	9'-3 5/8"	5-S2	9'-5 7/8"
1-S1	7'-2 7/8"	3-K	13'-9 3/4"	4-O	12'-9 3/4"		
1-S2	14'-11 7/8"	3-L	19'-1 7/8"	4-P	14'		
2-C1	13'-9 1/2"	3-M	14'	4-S1	17'-2 5/8"		

BOX POINTS		A-J	20'-5 1/2"	B-S1	26'-5"	D-C1	28'-11 3/8"
POINTS	DISTANCE	A-S1	24'-0 3/8"	B-S2	23'-1 5/8"	D-C2	7'-4 3/8"
		A-S2	27'-10 3/8"	C-C1	29'-5 1/2"	D-E	6'-1 3/8"
A-B	16'-6 1/2"	B-C	28'	C-C2	9'-2 1/8"	D-F	15'-1 1/4"
A-C	32'-6 1/4"	B-C1	9'-2 1/8"	C-D	16'-6 1/2"	D-G	18'-7 1/4"
A-C1	7'-4 3/8"	B-C2	29'-4 7/8"	C-E	18'-8 1/4"	D-H	22'-3"
A-C2	28'-10 3/4"	B-D	32'-6 1/4"	C-F	19'-2 5/8"	D-H1	22'-8 3/8"
A-D	28'	B-E	28'-2 7/8"	C-G	27'-7 1/8"	D-H2	21'-2 1/4"
A-E	22'-0 3/8"	B-F	18'-4 1/2"	C-H	22'-11"	D-H3	19'-8 1/2"
A-F	14'-0 1/8"	B-G	23'-0 5/8"	C-H1	20'-1 3/8"	D-H4	11'-7"
A-G	10'-9 3/8"	B-H	11'-6 1/2"	C-H2	25'-0 5/8"	D-H5	19'-10 1/4"
A-H	10'-2"	B-H1	9'-9 7/8"	C-H3	23'-9 3/4"	D-I	25'-6 5/8"
A-H1	14'-4 5/8"	B-H2	15'-4 3/8"	C-H4	18'-11 7/8"	D-J	11'-8 3/4"
A-H2	7'-6 3/4"	B-H3	16'-1 1/4"	C-H5	11'-6"	D-S1	6'-4 7/8"
A-H3	8'-11 5/8"	B-H4	22'-4 1/2"	C-I	17'-5 1/2"	D-S2	16'-3 5/8"
A-H4	16'-6 3/4"	B-H5	16'-6"	C-J	12'-8 5/8"		
A-H5	23'-1 3/8"	B-I	10'-11"	C-S1	12'-8 1/2"		
A-I	21'-7 3/8"	B-J	21'-0 1/2"	C-S2	4'-11 3/4"		

<b>Date:</b> 5/10/2022	<b>Perimeter:</b> 73'-2 1/2"	 cardinalpools.com
<b>Drawn By:</b> JESSE H	<b>Area:</b> 332.3 SQ. FT.	
<b>Scale:</b> 1/8" = 1'-0"	<b>Notes:</b> -----	

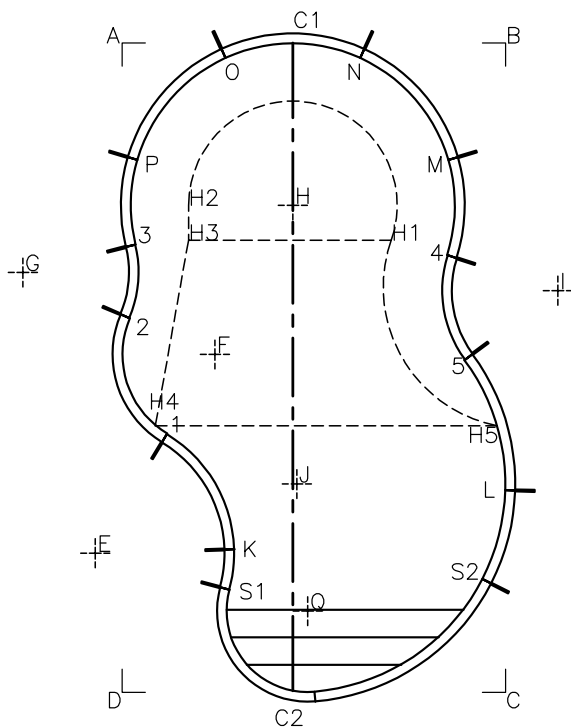
This information is the confidential property of Cardinal Systems, Inc. Disclosure or duplication without proper written approval is strictly prohibited. Acceptance and use of this drawing constitutes knowledge and acceptance by the user of the terms and conditions set forth in the notice and warning which accompanied this drawing is incorporated herein and made part hereof and is found on Cardinal Systems, Inc's website at [www.CardinalSystemsInc.com](http://www.CardinalSystemsInc.com)





**Pool Size:** 14' X 28'  
**Pool Shape:** MOUNTAIN POND **Approx Gal:** 10,593  
**Pool Number:** 1428MTPND – (STEEL)

250 Route 61 South, Schuylkill Haven, PA 17972 • 570-385-4733 • fax: 570-385-1318 • CustomerService@CardinalSystemsinc.com



POINTS	DISTANCE
Q-A	25'-9 1/4"
Q-B	25'-11 1/4"
Q-C	9'-2 3/4"
Q-D	8'-8 7/8"
Q-E	9'-6"
Q-F	11'-9 1/4"
Q-G	19'-1"
Q-H	17'-6 1/8"
Q-I	17'-6 3/8"
Q-J	5'-6"

**Date:** 5/10/2022

**Perimeter:** 73'-2 1/2"

**Drawn By:** JESSE H

**Area:** 332.3 SQ. FT.

**Scale:** 1/8" = 1'-0"

**Notes:** - - - -



cardinalpools.com

This information is the confidential property of Cardinal Systems, Inc. Disclosure or duplication without proper written approval is strictly prohibited. Acceptance and use of this drawing constitutes knowledge and acceptance by the user of the terms and conditions set forth in the notice and warning which accompanied this drawing is incorporated herein and made part hereof and is found on Cardinal Systems, Inc's website at www.CardinalSystemsInc.com

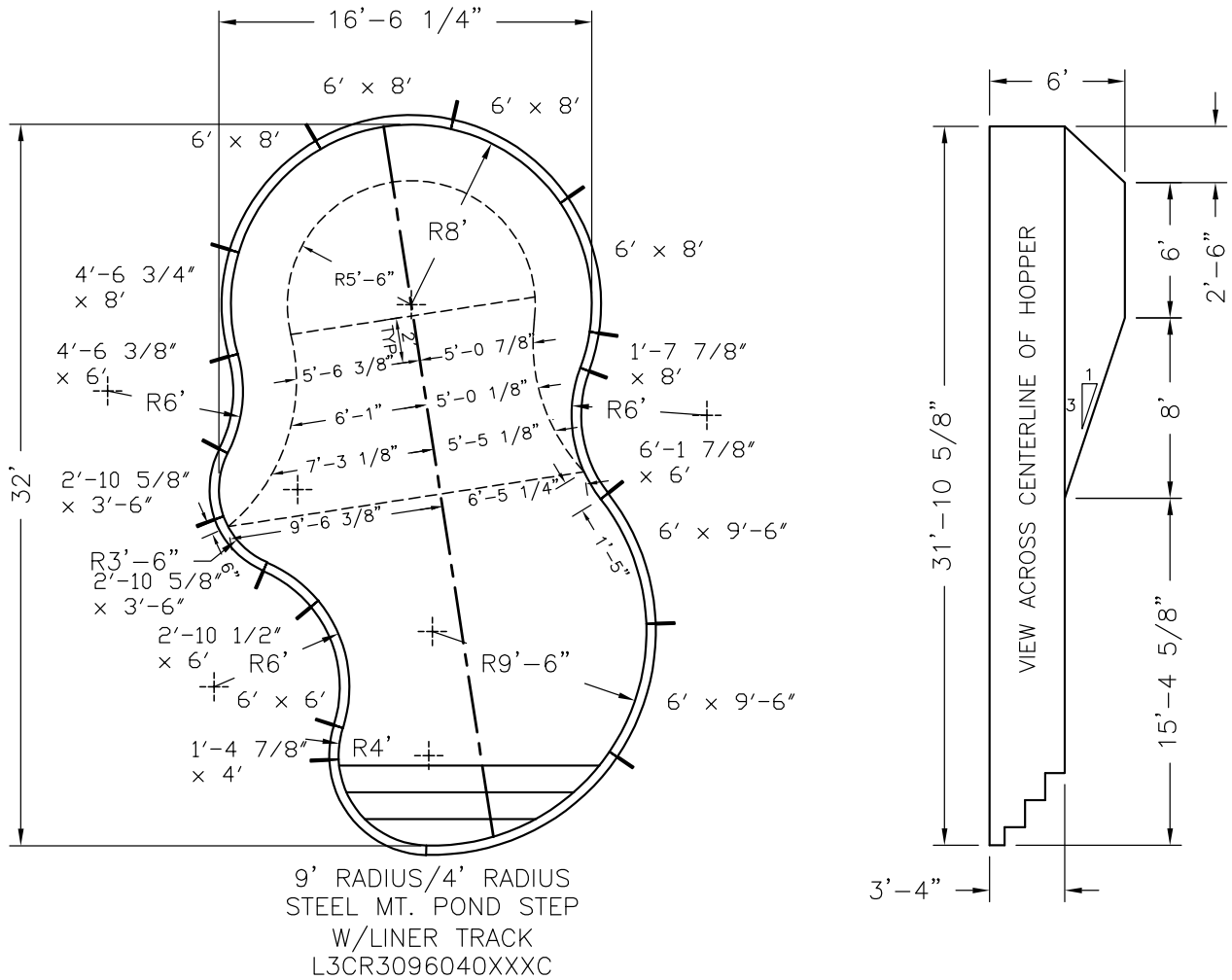


**Pool Size:** 16' X 32'  
**Pool Shape:** MOUNTAIN POND **Approx Gal:** 13,777  
**Pool Number:** 1632MTPND – (STEEL)


250 Route 61 South, Schuylkill Haven, PA 17972 • 570-385-4733 • fax: 570-385-1318 • CustomerService@CardinalSystemsinc.com

### Bill of Materials

PART NO.	QUANTITY	DESCRIPTION
"A" FRAME	16	"A" FRAME ASSEMBLY
L3CR3096040XXXC	1	9' RADIUS/4' RADIUS STEEL MT. POND STEP W/LINER TRACK
5C42147XX04000	1	1'-4 7/8" x 4' Radius C PANEL W/O Z
5C42177XX08000	1	1'-7 7/8" x 8' Radius C PANEL W/O Z
5C422T5XX03600	2	2'-10 5/8" x 3'-6" Radius C PANEL W/O Z
5C42466XX08000	1	4'-6 3/4" x 8' Radius C PANEL W/O Z
5C42600XX08000	4	6' x 8' Radius C PANEL W/O Z
5C42600XX09600	2	6' x 9'-6" Radius C PANEL W/O Z
5R422T4XX06000	1	2'-10 1/2" x 6' Radius R PANEL W/O Z
5R42463XX06000	1	4'-6 3/8" x 6' Radius R PANEL W/O Z
5R42600XX06000	1	6' x 6' Radius R PANEL W/O Z
5R42617XX06000	1	6'-1 7/8" x 6' Radius R PANEL W/O Z



NOTE: THIS IS A NON DIVING POOL.

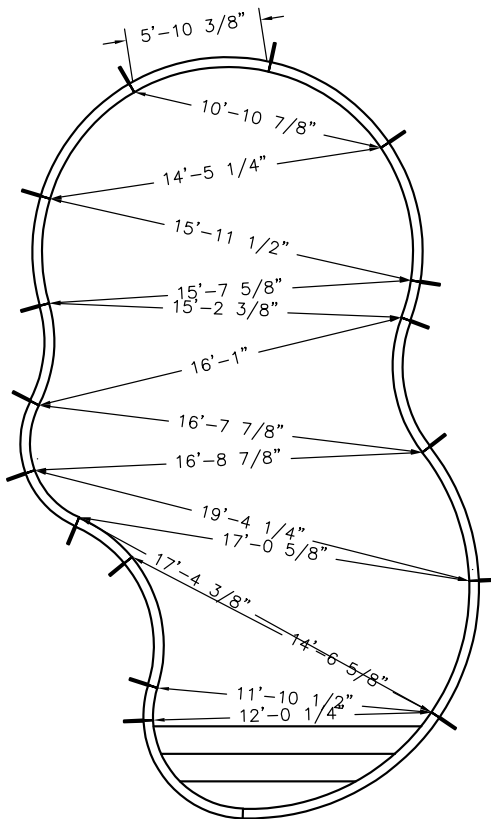
<b>Date:</b> 5/10/2022	<b>Perimeter:</b> 84'-5 7/8"	 CardinalSystemsInc.com
<b>Drawn By:</b> JESSE H	<b>Area:</b> 432.2 SQ. FT.	
<b>Scale:</b> 1/8" = 1'-0"	<b>Notes:</b> -----	

This information is the confidential property of Cardinal Systems, Inc. Disclosure or duplication without proper written approval is strictly prohibited. Acceptance and use of this drawing constitutes knowledge and acceptance by the user of the terms and conditions set forth in the notice and warning which accompanied this drawing is incorporated herein and made part hereof and is found on Cardinal Systems, Inc's website at www.CardinalSystemsInc.com



**Pool Size:** 16' X 32'  
**Pool Shape:** MOUNTAIN POND **Approx Gal:** 13,777  
**Pool Number:** 1632MTPND – (STEEL)

250 Route 61 South, Schuylkill Haven, PA 17972 • 570-385-4733 • fax: 570-385-1318 • CustomerService@CardinalSystemsinc.com



**Date:** 5/10/2022

**Perimeter:** 84'-5 7/8"

**Drawn By:** JESSE H

**Area:** 432.2 SQ. FT.

**Scale:** 1/8" = 1'-0"

**Notes:** - - - -



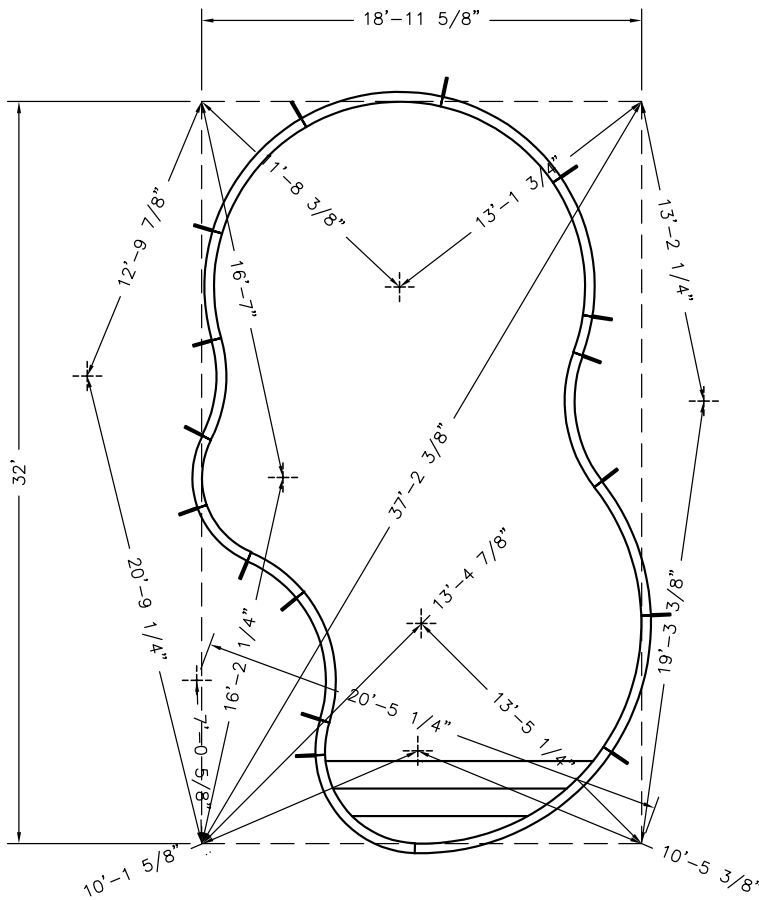
CardinalSystemsInc.com


This information is the confidential property of Cardinal Systems, Inc. Disclosure or duplication without proper written approval is strictly prohibited. Acceptance and use of this drawing constitutes knowledge and acceptance by the user of the terms and conditions set forth in the notice and warning which accompanied this drawing is incorporated herein and made part hereof and is found on Cardinal Systems, Inc's website at www.CardinalSystemsInc.com



**Pool Size:** 16' X 32'  
**Pool Shape:** MOUNTAIN POND **Approx Gal:** 13,777  
**Pool Number:** 1632MTPND – (STEEL)

250 Route 61 South, Schuylkill Haven, PA 17972 • 570-385-4733 • fax: 570-385-1318 • CustomerService@CardinalSystemsinc.com



<b>Date:</b> 5/10/2022	<b>Perimeter:</b> 84'–5 7/8"	 cardinalpools.com
<b>Drawn By:</b> JESSE H	<b>Area:</b> 432.2 SQ. FT.	
<b>Scale:</b> 1/8" = 1'–0"	<b>Notes:</b> -----	

This information is the confidential property of Cardinal Systems, Inc. Disclosure or duplication without proper written approval is strictly prohibited. Acceptance and use of this drawing constitutes knowledge and acceptance by the user of the terms and conditions set forth in the notice and warning which accompanied this drawing is incorporated herein and made part hereof and is found on Cardinal Systems, Inc's website at www.CardinalSystemsInc.com



**Pool Size:** 16' X 32'  
**Pool Shape:** MOUNTAIN POND **Approx Gal:** 13,777  
**Pool Number:** 1632MTPND – (STEEL)

250 Route 61 South, Schuylkill Haven, PA 17972 • 570-385-4733 • fax: 570-385-1318 • CustomerService@CardinalSystemsinc.com

HOPPER DIG POINTS		F-I	19'-0 7/8"	I-K	14'-6 3/8"	G-H5	12'-8 5/8"
POINTS	DISTANCE	F-J	24'-11 3/8"	J-K	15'-6"	I-H1	5'-6"
E-F	10'	F-K	9'-11 3/4"	E-H1	19'-10 5/8"	I-H2	5'-6"
E-G	13'-1 3/4"	G-H	9'-6"	E-H2	19'-7 3/4"	I-H3	5'-6"
E-H	21'-6 5/8"	G-I	9'-7 1/2"	E-H3	20'-10 1/2"	I-H4	12'-9 1/4"
E-I	20'-0 1/4"	G-J	18'-5 1/4"	E-H4	13'-6"	I-H5	10'-8"
E-J	19'-5 7/8"	G-K	8'-8 1/8"	E-H5	14'-4 1/8"	K-H1	14'-6 5/8"
E-K	5'-6"	H-I	14'	G-H1	12'-11"	K-H2	14'-7 1/8"
F-G	9'-6"	H-J	26'-7 1/8"	G-H2	6'-10 5/8"	K-H3	15'-6 3/8"
F-H	13'-11 1/4"	H-K	17'-11 1/8"	G-H3	13'-6 5/8"	K-H4	10'-2 1/8"
		I-J	14'	G-H4	3'-6"	K-H5	9'-9 1/4"
PANEL TO HOPPER POINTS		2-H2	10'-1 7/8"	4-H1	13'-2 7/8"	5-H5	4'-7 3/8"
POINTS	DISTANCE	2-H3	16'-8 3/4"	4-H2	2'-6 1/8"	6-H1	8'-5 5/8"
1-H1	20'	2-H4	2'-4"	4-H3	13'-5 1/8"	6-H2	15'-6 5/8"
1-H2	17'-7 1/4"	2-H5	14'-7 3/8"	4-H4	7'-8 1/8"	6-H3	9'-5 1/8"
1-H3	20'-11 1/4"	3-H1	14'-10"	4-H5	16'-2 5/8"	6-H4	16'-6 3/4"
1-H4	10'-3 3/8"	3-H2	5'-11 5/8"	5-H1	2'-11 3/8"	6-H5	1'-5"
1-H5	15'-7 1/4"	3-H3	15'-3 1/2"	5-H2	12'-11"		
2-H1	16'-0 1/8"	3-H4	3'-3 1/8"	5-H3	3'-8 3/4"		
		3-H5	15'-9 7/8"	5-H4	17'-1 1/2"		
PANEL TO PANEL POINTS		2-N	13'-9 1/2"	3-S2	21'-6"	5-P	12'-0 3/4"
POINTS	DISTANCE	2-O	18'-5 7/8"	4-C1	12'	5-Q	7'-4 3/8"
1-C1	26'-9"	2-P	20'-10 3/4"	4-C2	24'-2 3/4"	5-R	1'-7 7/8"
1-C2	8'-2 3/4"	2-Q	20'-6 7/8"	4-L	11'-6 1/8"	5-S	11'-8 3/4"
1-L	5'-9"	2-R	17'-7"	4-M	7'-2 3/4"	5-S1	20'-4 7/8"
1-M	10'-9 3/8"	2-S	17'-0 5/8"	4-N	4'-6"	5-S2	17'-1"
1-N	21'-7 1/8"	2-S1	9'-3 5/8"	4-O	9'-9 3/4"	6-C1	19'-1 1/2"
1-D	25'-8 1/2"	2-S2	17'-4 3/8"	4-P	13'-9 1/8"	6-C2	15'-8 5/8"
1-P	27'-0 1/8"	3-C1	16'-0 7/8"	4-Q	15'-9 1/2"	6-L	13'-3 5/8"
1-Q	25'-2 1/2"	3-C2	20'-8 3/8"	4-R	15'-7 5/8"	6-M	16'-8 7/8"
1-R	20'-8 3/8"	3-L	7'-8 1/8"	4-S	21'-8 5/8"	6-N	19'-5 1/8"
1-S	14'-2 3/4"	3-M	2'-9 5/8"	4-S1	18'-6 3/8"	6-O	19'-10 3/4"
1-S1	1'-4 7/8"	3-N	8'-11"	4-S2	24'-1 7/8"	6-P	17'-8 5/8"
1-S2	11'-10 1/2"	3-O	14'-1 3/8"	5-C1	13'-9 5/8"	6-Q	13'-3"
2-C1	20'-0 1/4"	3-P	17'-5 3/4"	5-C2	21'-1 7/8"	6-R	7'-5 1/4"
2-C2	15'-9 3/8"	3-Q	18'-5 1/2"	5-L	15'-6 3/8"	6-S	5'-10 3/4"
2-L	2'-10 1/8"	3-R	16'-11 1/8"	5-M	17'-1 5/8"	6-S1	16'-4 1/2"
2-M	2'-9 5/8"	3-S	20'-0 5/8"	5-N	15'-11 7/8"	6-S2	11'-2 5/8"
		3-S1	14'-5 1/4"	5-O	15'-0 7/8"		
BOX POINTS		A-K	24'-5"	B-S1	31'-3 5/8"	D-C1	32'-8 7/8"
POINTS	DISTANCE	A-S1	28'-8"	B-S2	27'-10 5/8"	D-C2	12'-2 1/8"
A-B	18'-11 5/8"	A-S2	32'-9 1/2"	C-C1	33'-11 5/8"	D-E	10'-1 5/8"
A-C	37'-2 3/8"	B-C	32'	C-C2	6'-9 3/4"	D-F	7'-0 5/8"
A-C1	7'-3 3/4"	B-C1	11'-7 3/4"	C-D	18'-11 5/8"	D-G	16'-2 1/8"
A-C2	33'-10 1/2"	B-C2	32'-4"	C-E	10'-5 3/8"	D-H	20'-9 1/4"
A-D	32'	B-D	37'-2 3/8"	C-F	20'-5 1/4"	D-H1	27'-2 3/8"
A-E	29'-6 1/8"	B-E	29'-7 3/8"	C-G	22'-1 1/4"	D-H2	22'-10 3/4"
A-F	24'-11 3/8"	B-F	31'-5 5/8"	C-H	31'-3 1/4"	D-H3	28'-1 1/8"
A-G	16'-7"	B-G	22'-4 7/8"	C-H1	23'-10 1/4"	D-H4	14'-1 1/8"
A-H	12'-9 7/8"	B-H	26'-8"	C-H2	27'-7 1/2"	D-H5	23'-2 1/8"
A-H1	16'-5 1/2"	B-H1	10'	C-H3	24'-10 1/8"	D-I	25'-5 3/4"
A-H2	9'-10 3/8"	B-H2	18'-3 7/8"	C-H4	23'-4"	D-J	28'-10 1/4"
A-H3	15'-11 3/4"	B-H3	9'-1 3/8"	C-H5	16'-9 3/4"	D-K	13'-4 7/8"
A-H4	17'-10 1/4"	B-H4	25'-9"	C-I	26'-2 1/8"	D-S1	6'-6 5/8"
A-H5	22'-4 3/8"	B-H5	15'-8"	C-J	19'-3 3/8"	D-S2	17'-9 7/8"
A-I	11'-8 3/8"	B-I	13'-1 3/4"	C-K	13'-5 1/4"		
A-J	25'-2 3/8"	B-J	13'-2 1/4"	C-S1	14'-2 1/8"		
		B-K	24'-5 1/8"	C-S2	4'-5 3/4"		

**Date:** 5/10/2022

**Perimeter:** 84'-5 7/8"

**Drawn By:** JESSE H

**Area:** 432.2 SQ. FT.

**Scale:** 1/8" = 1'-0"

**Notes:** - - - -



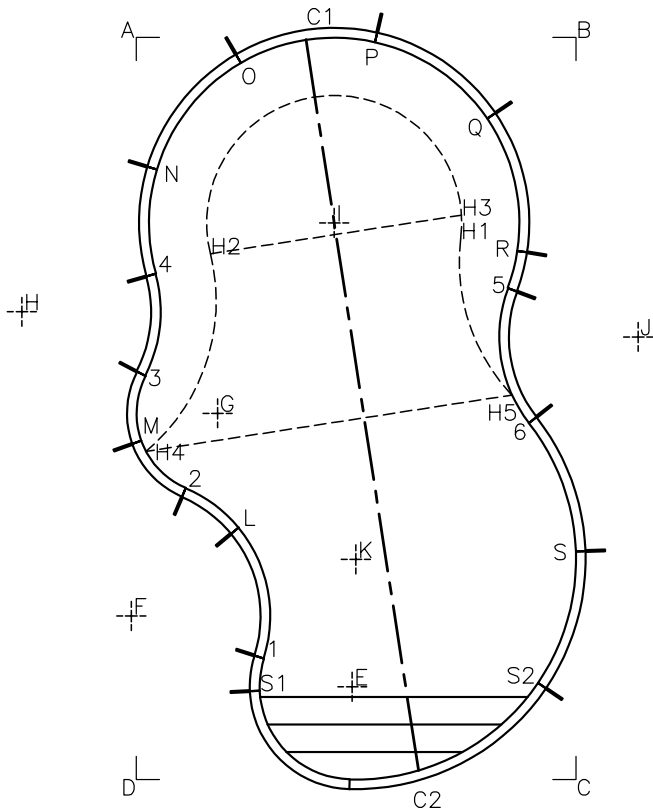
cardinalpools.com

This information is the confidential property of Cardinal Systems, Inc. Disclosure or duplication without proper written approval is strictly prohibited. Acceptance and use of this drawing constitutes knowledge and acceptance by the user of the terms and conditions set forth in the notice and warning which accompanied this drawing is incorporated herein and made part hereof and is found on Cardinal Systems, Inc's website at [www.CardinalSystemsInc.com](http://www.CardinalSystemsInc.com)



**Pool Size:** 16' X 32'  
**Pool Shape:** MOUNTAIN POND **Approx Gal:** 13,777  
**Pool Number:** 1632MTPND – (STEEL)

250 Route 61 South, Schuylkill Haven, PA 17972 • 570-385-4733 • fax: 570-385-1318 • CustomerService@CardinalSystemsinc.com



**Date:** 5/10/2022

**Perimeter:** 84' - 5 7/8"

**Drawn By:** JESSE H

**Area:** 432.2 SQ. FT.

**Scale:** 1/8" = 1'-0"

**Notes:** -----



cardinalpools.com

This information is the confidential property of Cardinal Systems, Inc. Disclosure or duplication without proper written approval is strictly prohibited. Acceptance and use of this drawing constitutes knowledge and acceptance by the user of the terms and conditions set forth in the notice and warning which accompanied this drawing is incorporated herein and made part hereof and is found on Cardinal Systems, Inc's website at www.CardinalSystemsInc.com

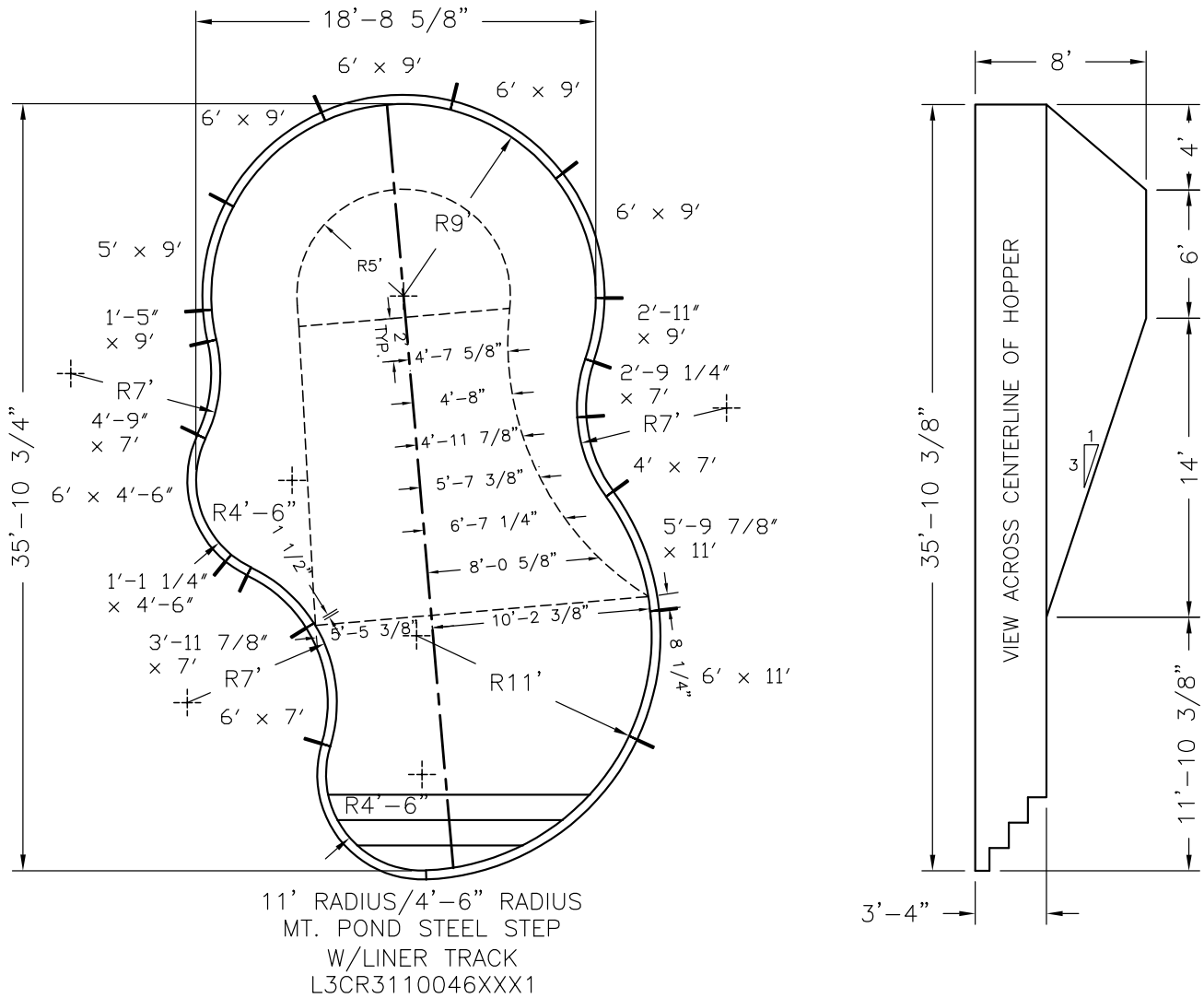


**Pool Size:** 18' X 36'  
**Pool Shape:** MOUNTAIN POND **Approx Gal:** 19,821  
**Pool Number:** 1836MTPND – (STEEL)

250 Route 61 South, Schuylkill Haven, PA 17972 • 570-385-4733 • fax: 570-385-1318 • CustomerService@CardinalSystemsinc.com

Bill of Materials

PART NO.	QUANTITY	DESCRIPTION
"A" FRAME	17	"A" FRAME ASSEMBLY
L3CR3110046XXX1	1	11' RADIUS/4'-6" RADIUS MT. POND STEEL STEP W/LINER TRACK
5C42112XX04600	1	1'-1 1/4" x 4'-6" Radius C PANEL W/0 Z
5C42150XX09000	1	1'-5" x 9' Radius C PANEL W/0 Z
5C422E0XX09000	1	2'-11" x 9' Radius C PANEL W/0 Z
5C42500XX09000	1	5' x 9' Radius C PANEL W/0 Z
5C42597XX11000	1	5'-9 7/8" x 11' Radius C PANEL W/0 Z
5C42600XX04600	1	6' x 4'-6" Radius C PANEL W/0 Z
5C42600XX09000	4	6' x 9' Radius C PANEL W/0 Z
5C42600XX11000	1	6' x 11' Radius C PANEL W/0 Z
5R42292XX07000	1	2'-9 1/4" x 7' Radius R PANEL W/0 Z
5R423E7XX07000	1	3'-11 7/8" x 7' Radius R PANEL W/0 Z
5R42400XX07000	1	4' x 7' Radius R PANEL W/0 Z
5R42490XX07000	1	4'-9" x 7' Radius R PANEL W/0 Z
5R42600XX07000	1	6' x 7' Radius R PANEL W/0 Z



**Date:** 5/10/2022

**Perimeter:** 94'-4 1/4"

**Drawn By:** JESSE H

**Area:** 544.9 SQ. FT.

**Scale:** 1/8" = 1'-0"

**Notes:** - - - -



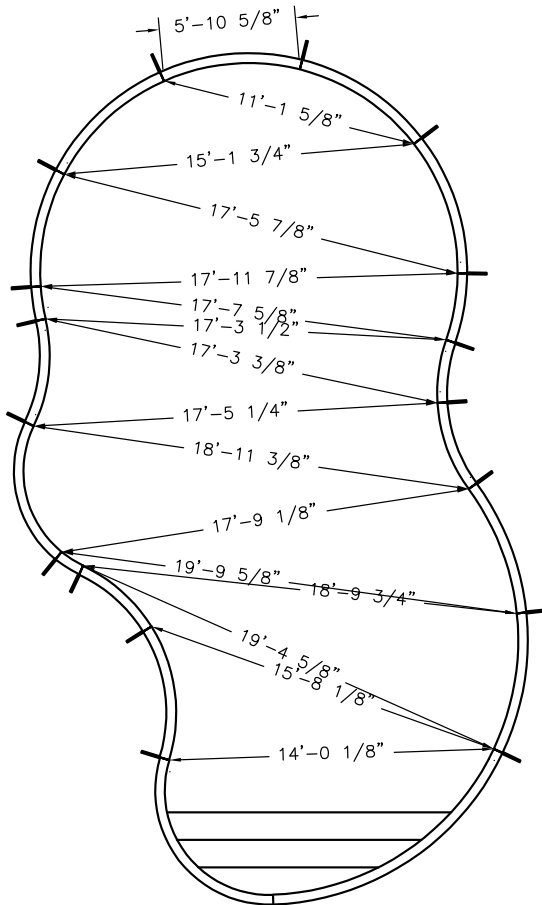
cardinalpools.com


This information is the confidential property of Cardinal Systems, Inc. Disclosure or duplication without proper written approval is strictly prohibited. Acceptance and use of this drawing constitutes knowledge and acceptance by the user of the terms and conditions set forth in the notice and warning which accompanied this drawing is incorporated herein and made part hereof and is found on Cardinal Systems, Inc's website at www.CardinalSystemsInc.com



**Pool Size:** 18' X 36'  
**Pool Shape:** MOUNTAIN POND **Approx Gal:** 19,821  
**Pool Number:** 1836MTPND – (STEEL)

250 Route 61 South, Schuylkill Haven, PA 17972 • 570-385-4733 • fax: 570-385-1318 • CustomerService@CardinalSystemsinc.com



<b>Date:</b> 5/10/2022	<b>Perimeter:</b> 94'-4 1/4"	 cardinalpools.com
<b>Drawn By:</b> JESSE H	<b>Area:</b> 544.9 SQ. FT.	
<b>Scale:</b> 1/8" = 1'-0"	<b>Notes:</b> -----	

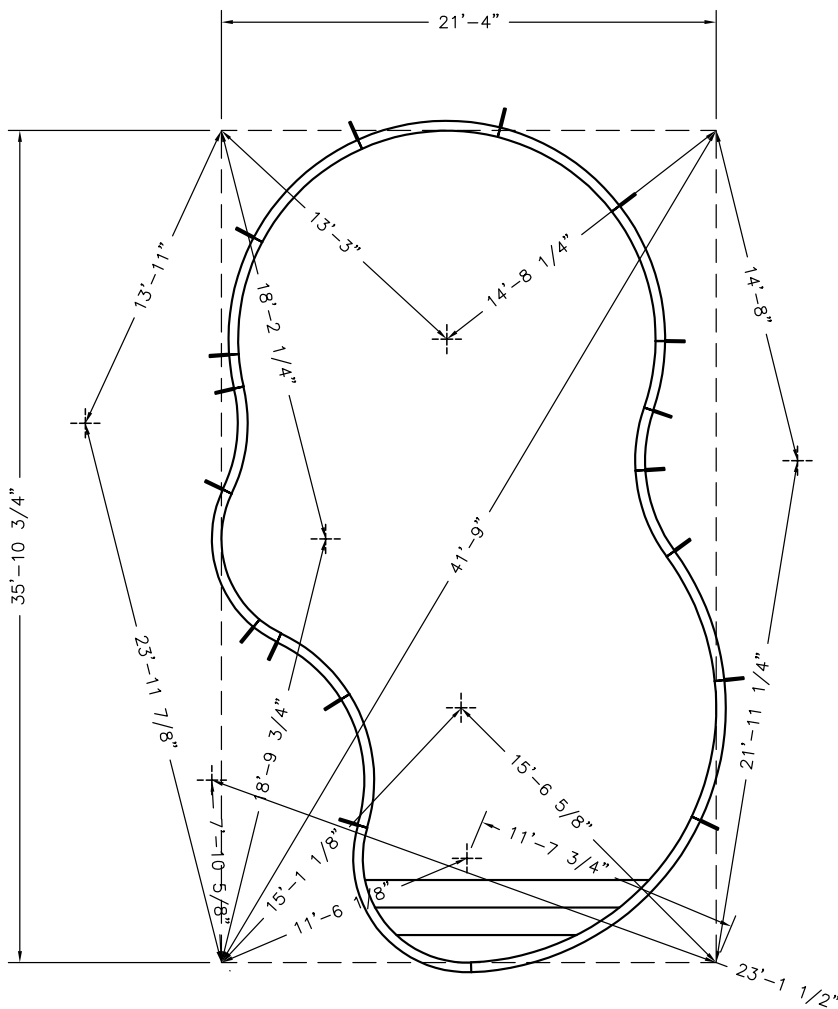
This information is the confidential property of Cardinal Systems, Inc. Disclosure or duplication without proper written approval is strictly prohibited. Acceptance and use of this drawing constitutes knowledge and acceptance by the user of the terms and conditions set forth in the notice and warning which accompanied this drawing is incorporated herein and made part hereof and is found on Cardinal Systems, Inc's website at www.CardinalSystemsInc.com





**Pool Size:** 18' X 36'  
**Pool Shape:** MOUNTAIN POND **Approx Gal:** 19,821  
**Pool Number:** 1836MTPND – (STEEL)

250 Route 61 South, Schuylkill Haven, PA 17972 • 570-385-4733 • fax: 570-385-1318 • CustomerService@CardinalSystemsinc.com



**Date:** 5/10/2022

**Perimeter:** 94'-4 1/4"

**Drawn By:** JESSE H

**Area:** 544.9 SQ. FT.

**Scale:** 1/8" = 1'-0"

**Notes:** - - - -



cardinalpools.com

This information is the confidential property of Cardinal Systems, Inc. Disclosure or duplication without proper written approval is strictly prohibited. Acceptance and use of this drawing constitutes knowledge and acceptance by the user of the terms and conditions set forth in the notice and warning which accompanied this drawing is incorporated herein and made part hereof and is found on Cardinal Systems, Inc's website at www.CardinalSystemsInc.com



**Pool Size:** 18' X 36'  
**Pool Shape:** MOUNTAIN POND **Approx Gal:** 19,821  
**Pool Number:** 1836MTPND – (STEEL)


250 Route 61 South, Schuylkill Haven, PA 17972 • 570-385-4733 • fax: 570-385-1318 • CustomerService@CardinalSystemsinc.com

HOPPER DIG POINTS		F-H	10'-1"	F-H1	12'-11 7/8"	H-H5	18'-1 5/8"
POINTS	DISTANCE	F-I	20'-7 1/2"	F-H2	8'-2 1/4"	J-H1	15'-11 1/8"
E-F	11'-6"	F-J	9'-3 7/8"	F-H3	7'-2 3/8"	J-H2	16'-5 3/8"
E-G	16'-4"	G-H	16'	F-H4	6'-10 5/8"	J-H3	15'-5 3/4"
E-H	21'-6 5/8"	G-I	30'-8 7/8"	F-H5	17'-6 1/2"	J-H4	4'-9 1/4"
E-I	28'-9 1/8"	G-J	20'-3 3/4"	H-H1	5'	J-H5	11'
E-J	11'-2 1/4"	H-I	16'	H-H2	5'		
F-G	11'-6"	H-J	15'-10 7/8"	H-H3	5'-1 1/4"		
		I-J	18'	H-H4	15'-11 1/2"		

PANEL TO HOPPER POINTS		1-H5	18'-7 7/8"	3-H2	4'-1 3/8"	4-H4	17'-9"
POINTS	DISTANCE	2-H1	15'-5 7/8"	3-H3	3'-11"	4-H5	11'-6"
1-H1	17'-1 5/8"	2-H2	7'-6 7/8"	3-H4	14'-1 7/8"	5-H1	9'-10 3/4"
1-H2	12'-5 3/8"	2-H3	6'-10"	3-H5	23'-6 3/8"	5-H2	17'
1-H3	11'-5 7/8"	2-H4	10'-1 3/4"	4-H1	4'-3 1/8"	5-H3	16'-5 1/8"
1-H4	4'-0 3/4"	2-H5	22'-0 1/8"	4-H2	13'-8 5/8"	5-H4	14'-10 5/8"
		3-H1	13'-9 3/4"	4-H3	13'-5 3/4"	5-H5	5'-1"

PANEL TO PANEL POINTS		2-K	10'-0 1/4"	3-P	15'-4 3/8"	4-S2	17'-9 1/8"
POINTS	DISTANCE	2-L	5'-6 3/4"	3-Q	17'-7"	4-T	12'-2 1/4"
1-C1	22'-6 7/8"	2-M	6'-0 3/8"	3-R	17'-10 1/2"	5-C1	21'-0 1/4"
1-C2	16'-11 1/2"	2-N	10'-11 1/4"	3-S	17'-3 3/8"	5-C2	18'-9 1/2"
1-K	3'-11 1/4"	2-O	15'-10 7/8"	3-S1	19'-9 1/8"	5-K	14'-10 3/4"
1-L	1'-1 1/4"	2-P	19'-2 3/8"	3-S2	26'-9 1/2"	5-L	17'-9 1/8"
1-M	12'-2 1/4"	2-Q	20'-5"	3-T	23'-11 5/8"	5-M	20'-5"
1-N	16'-10 3/4"	2-R	19'-5 1/8"	4-C1	15'-1 1/4"	5-N	22'-1 1/4"
1-O	21'-2 3/8"	2-S	17'-5 1/4"	4-C2	24'-7 1/4"	5-O	21'-11 5/8"
1-P	23'-4 3/8"	2-S1	15'-6 1/2"	4-K	17'-8 5/8"	5-P	19'-6 1/4"
1-Q	23'-1 3/8"	2-S2	24'-2 7/8"	4-L	18'-11 1/4"	5-Q	15'-0 7/8"
1-R	20'-5 3/4"	2-T	22'-4 1/8"	4-M	17'-7 5/8"	5-R	9'-3 3/4"
1-S	16'-9 3/4"	3-C1	13'-7 1/4"	4-N	17'-11 3/8"	5-S	3'-11 3/8"
1-S1	9'-2"	3-C2	27'-1 1/8"	4-O	16'-6 1/4"	5-S1	17'-5"
1-S2	19'-4 5/8"	3-K	14'-0 3/8"	4-P	13'-3 1/4"	5-S2	11'-3 1/8"
1-T	18'-9 3/4"	3-L	10'-1"	4-Q	8'-6 3/4"	5-T	5'-9"
2-C1	17'-9 1/2"	3-M	1'-5"	4-R	2'-10 7/8"		
2-C2	23'-2 1/2"	3-N	6'-3 3/8"	4-S	2'-9"		
		3-O	11'-5 1/2"	4-S1	21'-8 1/2"		

BOX POINTS		A-J	26'-11 1/2"	B-S1	33'-7 1/2"	D-C1	36'-11 1/2"
POINTS	DISTANCE	A-S1	30'-8 5/8"	B-S2	29'-7 1/4"	D-C2	12'-0 5/8"
A-B	21'-4"	A-S2	35'-10 1/2"	C-C1	37'-11 1/4"	D-F	7'-10 5/8"
A-C	41'-9"	B-C	35'-10 3/4"	C-C2	9'-3 1/2"	D-F	18'-9 3/4"
A-C1	8'-11 3/8"	B-C1	12'-4 5/8"	C-D	21'-4"	D-G	23'-11 7/8"
A-C2	37'-8 7/8"	B-C2	36'-11 3/8"	C-E	23'-1 1/2"	D-H	28'-7 1/8"
A-D	35'-10 3/4"	B-D	41'-9"	C-F	24'-10 1/8"	D-H1	30'-1 3/4"
A-E	28'-0 1/4"	B-E	35'-5 5/8"	C-G	35'-9 1/2"	D-H2	26'-10 5/8"
A-F	18'-2 1/4"	B-F	24'-4 1/2"	C-H	29'-3 1/2"	D-H3	25'-11"
A-G	13'-11"	B-G	29'-11 3/4"	C-H1	27'-1 3/4"	D-H4	12'-9 1/4"
A-H	13'-3"	B-H	14'-8 1/4"	C-H2	31'-2 3/4"	D-H5	24'-9 1/8"
A-H1	17'-6 3/8"	B-H1	11'-7 7/8"	C-H3	30'-4 1/8"	D-I	32'-11 1/2"
A-H2	10'-6 3/4"	B-H2	19'-1"	C-H4	19'-5 3/4"	D-J	15'-1 1/8"
A-H3	11'-5 7/8"	B-H3	19'-6 1/4"	C-H5	12'-10"	D-S1	8'-6 3/4"
A-H4	25'-0 5/8"	B-H4	29'-0 5/8"	C-I	21'-11 1/4"	D-S2	21'-2 7/8"
A-H5	31'-3 3/4"	B-H5	23'-0 3/4"	C-J	15'-6 5/8"		
A-I	28'-7 5/8"	B-I	14'-8"	C-S1	16'-1 5/8"		
		B-J	27'-2 5/8"	C-S2	6'-4 5/8"		

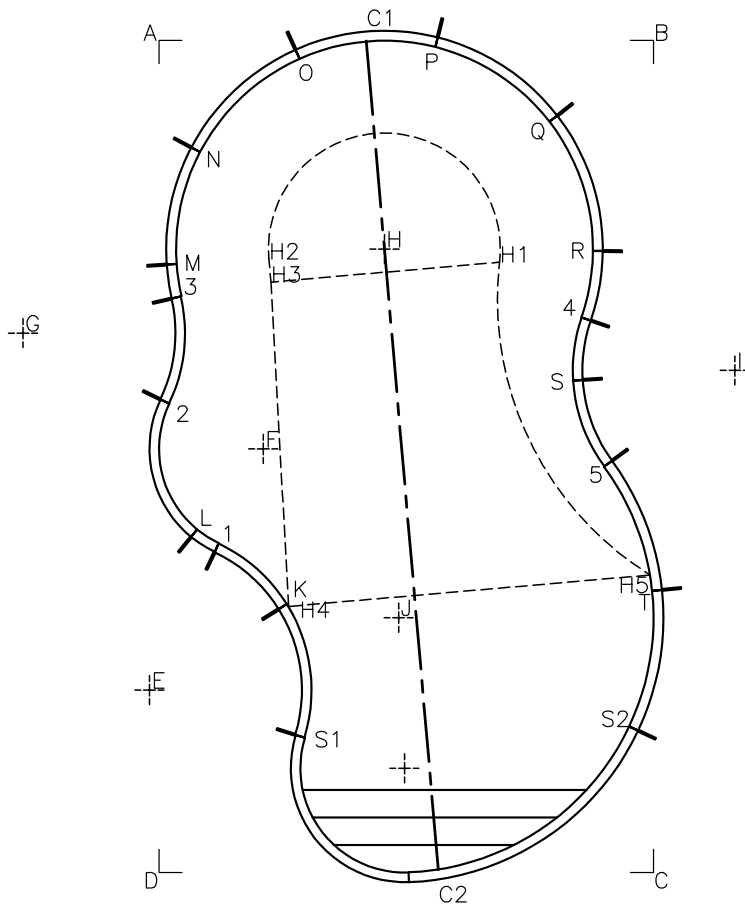
<b>Date:</b> 5/10/2022	<b>Perimeter:</b> 94'-4 1/4"	 cardinalpools.com
<b>Drawn By:</b> JESSE H	<b>Area:</b> 544.9 SQ. FT.	
<b>Scale:</b> 1/8" = 1'-0"	<b>Notes:</b> - - - -	

This information is the confidential property of Cardinal Systems, Inc. Disclosure or duplication without proper written approval is strictly prohibited. Acceptance and use of this drawing constitutes knowledge and acceptance by the user of the terms and conditions set forth in the notice and warning which accompanied this drawing is incorporated herein and made part hereof and is found on Cardinal Systems, Inc's website at www.CardinalSystemsInc.com



**Pool Size:** 18' X 36'  
**Pool Shape:** MOUNTAIN POND **Approx Gal:** 19,821  
**Pool Number:** 1836MTPND – (STEEL)

250 Route 61 South, Schuylkill Haven, PA 17972 • 570-385-4733 • fax: 570-385-1318 • CustomerService@CardinalSystemsinc.com



**Date:** 5/10/2022

**Perimeter:** 94'-4 1/4"

**Drawn By:** JESSE H

**Area:** 544.9 SQ. FT.

**Scale:** 1/8" = 1'-0"

**Notes:** - - - -

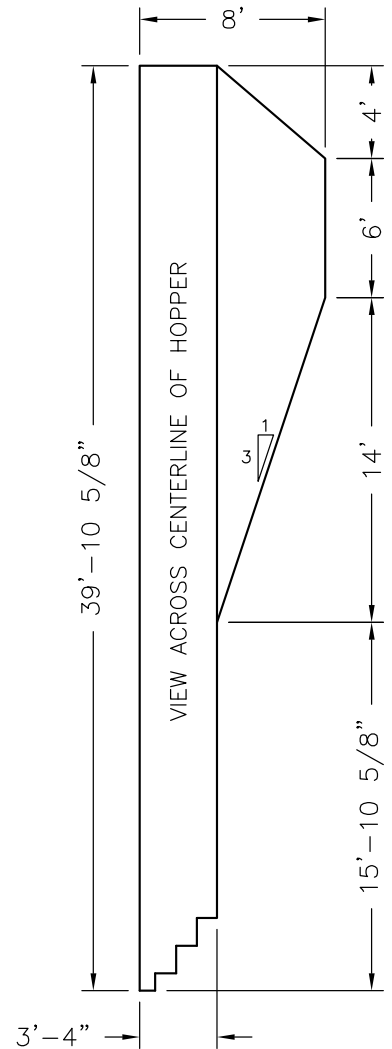
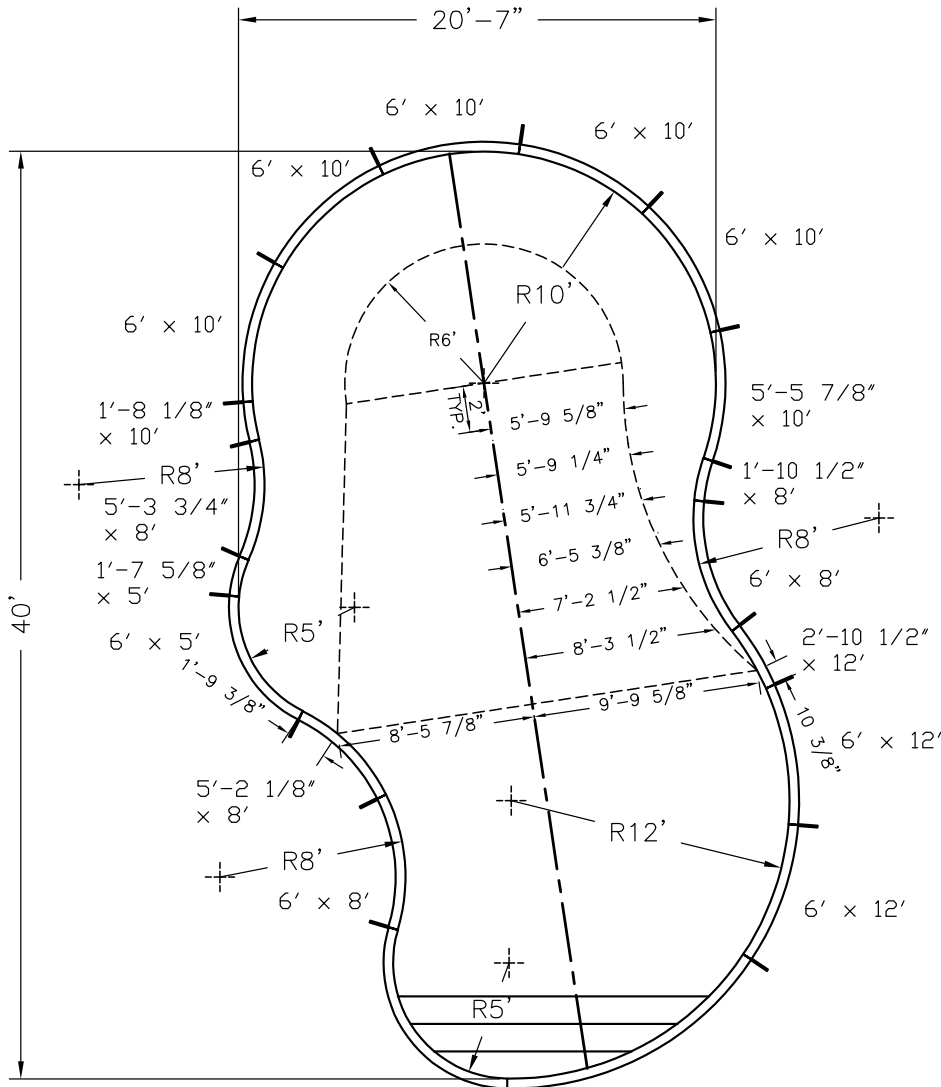


This information is the confidential property of Cardinal Systems, Inc. Disclosure or duplication without proper written approval is strictly prohibited. Acceptance and use of this drawing constitutes knowledge and acceptance by the user of the terms and conditions set forth in the notice and warning which accompanied this drawing is incorporated herein and made part hereof and is found on Cardinal Systems, Inc's website at [www.CardinalSystemsInc.com](http://www.CardinalSystemsInc.com)



**Pool Size:** 20' X 40'  
**Pool Shape:** MOUNTAIN POND **Approx Gal:** 24,626  
**Pool Number:** 2040MTPND - (STEEL)

250 Route 61 South, Schuylkill Haven, PA 17972 • 570-385-4733 • fax: 570-385-1318 • CustomerService@CardinalSystemsinc.com



12' RADIUS/5' RADIUS MT.  
 POND STEEL STEP  
 W/LINER TRACK  
 L3CR3120050XXXX

<b>Date:</b> 5/10/2022	<b>Perimeter:</b> 105'-3 1/4"	 cardinalpools.com
<b>Drawn By:</b> JESSE H	<b>Area:</b> 677.0 SQ. FT.	
<b>Scale:</b> 1/8" = 1'-0"	<b>Notes:</b> -----	

This Information is the confidential property of Cardinal Systems, Inc. Disclosure or duplication without proper written approval is strictly prohibited. Acceptance and use of this drawing constitutes knowledge and acceptance by the user of the terms and conditions set forth in the notice and warning which accompanied this drawing is incorporated herein and made part hereof and is found on Cardinal Systems, Inc's website at www.CardinalSystemsInc.com




**Pool Size:** 20' X 40'  
**Pool Shape:** MOUNTAIN POND **Approx Gal:** 24,626  
**Pool Number:** 2040MTPND – (STEEL)

250 Route 61 South, Schuylkill Haven, PA 17972 • 570-385-4733 • fax: 570-385-1318 • CustomerService@CardinalSystemsinc.com

### Bill of Materials

PART NO.	QUANTITY	DESCRIPTION
"A" FRAME	18	"A" FRAME ASSEMBLY
L3CR3120050XXXC	1	12' RADIUS/5' RADIUS MT. POND STEEL STEP W/LINER TRACK
5C42175XX05000	1	1'-7 5/8" x 5' Radius C PANEL W/O Z
5C42181XX10000	1	1'-8 1/8" x 10' Radius C PANEL W/O Z
5C422T4XX12000	1	2'-10 1/2" x 12' Radius C PANEL W/O Z
5C42557XX10000	1	5'-5 7/8" x 10' Radius C PANEL W/O Z
5C42600XX05000	1	6' x 5' Radius C PANEL W/O Z
5C42600XX10000	5	6' x 10' Radius C PANEL W/O Z
5C42600XX12000	2	6' x 12' Radius C PANEL W/O Z
5R421T4XX08000	1	1'-10 1/2" x 8' Radius R PANEL W/O Z
5R42521XX08000	1	5'-2 1/8" x 8' Radius R PANEL W/O Z
5R42536XX08000	1	5'-3 3/4" x 8' Radius R PANEL W/O Z
5R42600XX08000	2	6' x 8' Radius R PANEL W/O Z

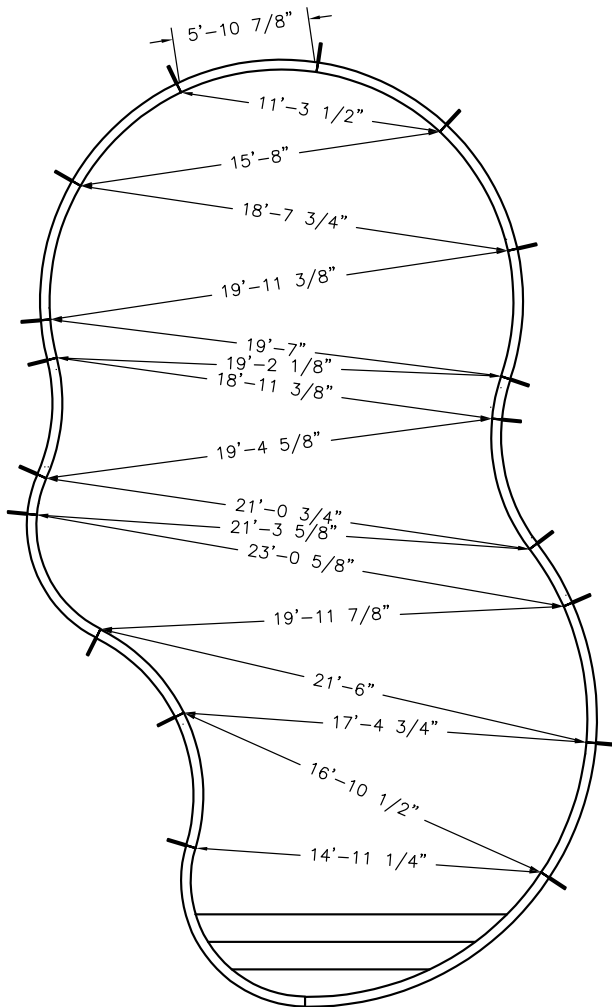
<b>Date:</b> 5/10/2022	<b>Perimeter:</b> 105'-3 1/4"	 <small>cardinalpools.com</small>
<b>Drawn By:</b> JESSE H	<b>Area:</b> 677.0 SQ. FT.	
<b>Scale:</b> 1/8" = 1'-0"	<b>Notes:</b> - - - -	


This information is the confidential property of Cardinal Systems, Inc. Disclosure or duplication without proper written approval is strictly prohibited. Acceptance and use of this drawing constitutes knowledge and acceptance by the user of the terms and conditions set forth in the notice and warning which accompanied this drawing is incorporated herein and made part hereof and is found on Cardinal Systems, Inc's website at www.CardinalSystemsInc.com



**Pool Size:** 20' X 40'  
**Pool Shape:** MOUNTAIN POND **Approx Gal:** 24,626  
**Pool Number:** 2040MTPND – (STEEL)

250 Route 61 South, Schuylkill Haven, PA 17972 • 570-385-4733 • fax: 570-385-1318 • CustomerService@CardinalSystemsinc.com



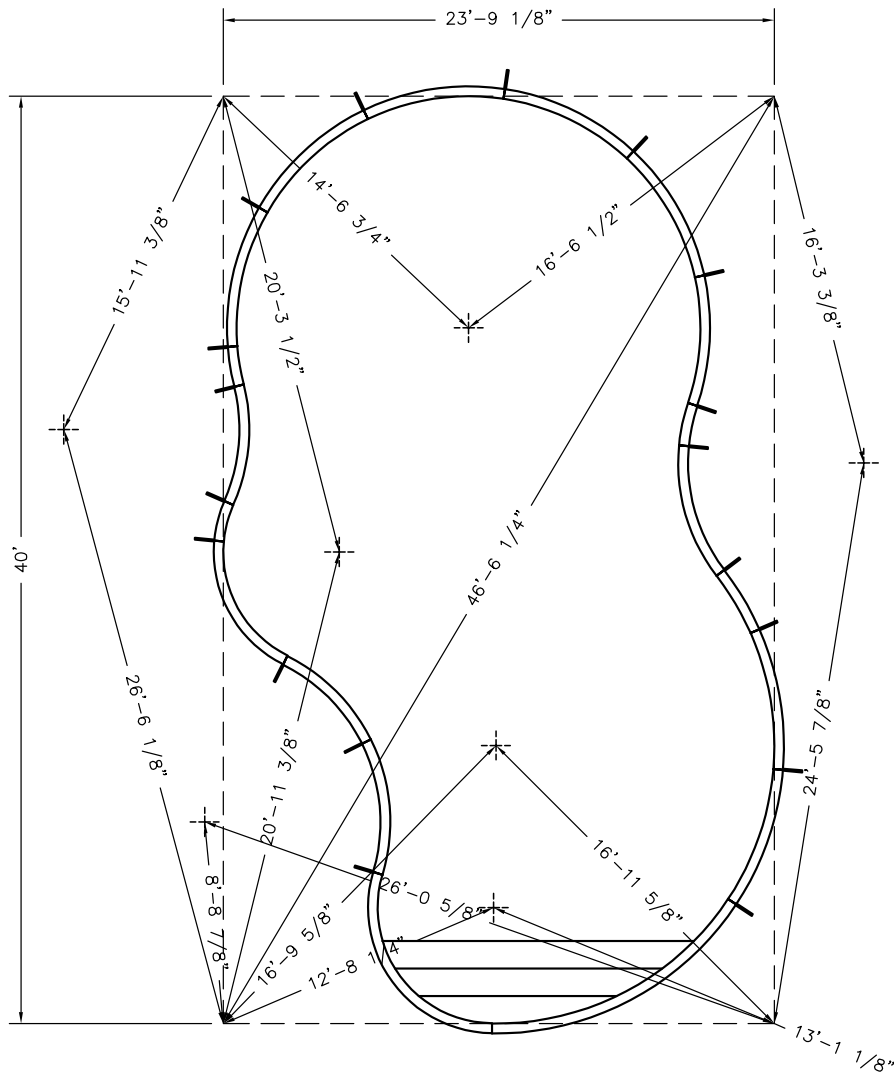
<b>Date:</b> 5/10/2022	<b>Perimeter:</b> 105'-3 1/4"	 cardinalpools.com
<b>Drawn By:</b> JESSE H	<b>Area:</b> 677.0 SQ. FT.	
<b>Scale:</b> 1/8" = 1'-0"	<b>Notes:</b> -----	

This information is the confidential property of Cardinal Systems, Inc. Disclosure or duplication without proper written approval is strictly prohibited. Acceptance and use of this drawing constitutes knowledge and acceptance by the user of the terms and conditions set forth in the notice and warning which accompanied this drawing is incorporated herein and made part hereof and is found on Cardinal Systems, Inc's website at www.CardinalSystemsInc.com



**Pool Size:** 20' X 40'  
**Pool Shape:** MOUNTAIN POND **Approx Gal:** 24,626  
**Pool Number:** 2040MTPND – (STEEL)

250 Route 61 South, Schuylkill Haven, PA 17972 • 570-385-4733 • fax: 570-385-1318 • CustomerService@CardinalSystemsinc.com



**Date:** 5/10/2022

**Perimeter:** 105'-3 1/4"

**Drawn By:** JESSE H

**Area:** 677.0 SQ. FT.

**Scale:** 1/8" = 1'-0"

**Notes:** - - - -



This information is the confidential property of Cardinal Systems, Inc. Disclosure or duplication without proper written approval is strictly prohibited. Acceptance and use of this drawing constitutes knowledge and acceptance by the user of the terms and conditions set forth in the notice and warning which accompanied this drawing is incorporated herein and made part hereof and is found on Cardinal Systems, Inc's website at www.CardinalSystemsInc.com



**Pool Size:** 20' X 40'  
**Pool Shape:** MOUNTAIN POND **Approx Gal:** 24,626  
**Pool Number:** 2040MTPND - (STEEL)



250 Route 61 South, Schuylkill Haven, PA 17972 • 570-385-4733 • fax: 570-385-1318 • CustomerService@CardinalSystemsInc.com

HOPPER DIG POINTS		F-H	11'-1 7/8"	F-H1	15'-1"	H-H5	17'-1 1/8"
POINTS	DISTANCE	F-I	22'-11 1/4"	F-H2	8'-9 3/8"	J-H1	18'-7 5/8"
E-F	13'	F-J	10'-8 3/4"	F-H3	15'-7 1/2"	J-H2	18'-6 3/8"
E-G	17'-11 5/8"	G-H	18'	F-H4	5'-5 7/8"	J-H3	19'-5 7/8"
E-H	24'-1 3/4"	G-I	34'-6 1/4"	F-H5	17'-6 7/8"	J-H4	8'-0 3/8"
E-I	32'-4 3/8"	G-J	23'-1"	H-H1	6'	J-H5	12'
E-J	12'-11 3/4"	H-I	18'	H-H2	6'		
F-G	13'	H-J	18'-0 1/2"	H-H3	6'		
		I-J	20'	H-H4	16'-4 1/2"		

PANEL TO HOPPER POINTS		1-H5	19'-8"	3-H2	4'-0 7/8"	4-H4	19'-9"
POINTS	DISTANCE	2-H1	17'-10 3/8"	3-H3	15'-11 3/4"	4-H5	9'-5 1/4"
1-H1	19'-9 1/8"	2-H2	7'-11 3/8"	3-H4	13'-1 3/8"	5-H1	11'-8 1/8"
1-H2	13'-4 1/2"	2-H3	18'-2 3/8"	3-H5	23'-8"	5-H2	19'-3 1/2"
1-H3	20'-4 1/2"	2-H4	8'-4 3/4"	4-H1	4'-8 7/8"	5-H3	12'-6 1/4"
1-H4	1'-9 3/8"	2-H5	22'-5 1/4"	4-H2	15'-6 7/8"	5-H4	17'-6 7/8"
		3-H1	15'-10 5/8"	4-H3	5'-5 1/8"	5-H5	2'-0 1/8"

PANEL TO PANEL POINTS		2-K	11'-8 5/8"	3-P	16'-7 3/4"	4-S2	21'-5 5/8"
POINTS	DISTANCE	2-L	1'-7 1/2"	3-Q	19'-2 1/8"	4-T	10'-3 1/2"
1-C1	24'-10 1/8"	2-M	6'-10 1/4"	3-R	20'	4-U	16'-2 1/2"
1-C2	19'-8 1/4"	2-N	12'-8 3/8"	3-S	18'-11 3/8"	5-C1	23'-11"
1-K	5'-1"	2-O	17'-7 1/2"	3-S1	21'-11 5/8"	5-C2	19'-10 3/8"
1-L	5'-7 3/4"	2-P	21'-0 1/2"	3-S2	30'-5 5/8"	5-K	16'-5 7/8"
1-M	13'-6 3/8"	2-Q	22'-7 3/8"	3-T	24'-4 1/8"	5-L	21'-3 5/8"
1-N	19'-1 5/8"	2-R	22'-2 3/8"	3-U	28'-2 5/8"	5-M	22'-11"
1-O	23'-4 7/8"	2-S	19'-4 5/8"	4-C1	17'-1 1/8"	5-N	24'-10 7/8"
1-P	25'-9 1/4"	2-S1	17'-2 3/8"	4-C2	26'-9 1/2"	5-O	24'-9 3/8"
1-Q	25'-11 5/8"	2-S2	27'-3 1/4"	4-K	19'-11 1/4"	5-P	22'-6 1/2"
1-R	23'-11 3/4"	2-T	22'-11 3/4"	4-L	20'-10 3/4"	5-Q	18'-5"
1-S	19'-2"	2-U	25'-11"	4-M	19'-7"	5-R	12'-10 7/8"
1-S1	10'-3 1/2"	3-C1	14'-9 3/4"	4-N	19'-10 7/8"	5-S	5'-10 3/8"
1-S2	21'-8 3/8"	3-C2	30'-7"	4-O	18'-5 3/8"	5-S1	19'-4"
1-T	19'-11 7/8"	3-K	16'-3 1/8"	4-P	15'-4 1/8"	5-S2	13'-11 3/8"
1-U	21'-6"	3-L	6'-9 7/8"	4-Q	10'-10 1/2"	5-T	2'-10 1/2"
2-C1	19'-6 1/2"	3-M	1'-8"	4-R	5'-5 1/8"	5-U	8'-8 1/8"
2-C2	26'-4"	3-N	7'-5 7/8"	4-S	1'-10 1/2"		
		3-O	12'-7 5/8"	4-S1	24'-2 7/8"		

BOX POINTS		A-J	30'-4 1/2"	B-S1	37'-7"	D-C1	40'-11"
POINTS	DISTANCE	A-S1	34'-3 1/4"	B-S2	34'-8 1/4"	D-C2	15'-0 3/8"
A-B	23'-9 1/8"	A-S2	40'-10 3/4"	C-C1	42'-6"	D-E	8'-8 7/8"
A-C	46'-6 1/4"	B-C	40'	C-C2	8'-8 7/8"	D-F	20'-11 3/8"
A-C1	9'-1 1/8"	B-C1	14'-8"	C-D	23'-9 1/8"	D-G	26'-6 3/8"
A-C2	42'-3 3/4"	B-C2	40'-6"	C-E	26'-0 5/8"	D-H	31'-9 3/4"
A-D	40'	B-D	46'-6 1/4"	C-F	27'-8"	D-H1	34'-3 3/8"
A-E	31'-3 3/4"	B-E	39'-9 3/8"	C-G	39'-11 1/4"	D-H2	29'-5 3/4"
A-F	20'-3 1/2"	B-F	27'-2 1/8"	C-H	32'-9 1/4"	D-H3	35'-0 3/8"
A-G	15'-11 3/8"	B-G	33'-10 1/8"	C-H1	30'-10 1/8"	D-H4	15'-5 7/8"
A-H	14'-6 3/4"	B-H	16'-6 1/2"	C-H2	34'-9 7/8"	D-H5	28'-5 5/8"
A-H1	19'-4 3/8"	B-H1	12'-3 3/4"	C-H3	31'-8 3/4"	D-I	36'-8 1/2"
A-H2	11'-10 1/8"	B-H2	22'	C-H4	24'-6 3/8"	D-J	16'-9 5/8"
A-H3	18'-10 1/4"	B-H3	11'-7 5/8"	C-H5	17'-8 1/8"	D-S1	9'-4 7/8"
A-H4	25'-5 5/8"	B-H4	31'-9 3/8"	C-I	24'-5 7/8"	D-S2	22'-5"
A-H5	31'-7 5/8"	B-H5	22'-5 1/8"	C-J	16'-11 5/8"		
A-I	31'-9 7/8"	B-I	16'-3 3/8"	C-S1	18'-0 7/8"		
		B-J	30'-5 5/8"	C-S2	5'-8 3/4"		

<b>Date:</b> 5/10/2022	<b>Perimeter:</b> 105'-3 1/4"	 
<b>Drawn By:</b> JESSE H	<b>Area:</b> 677.0 SQ. FT.	
<b>Scale:</b> 1/8" = 1'-0"	<b>Notes:</b> - - - -	

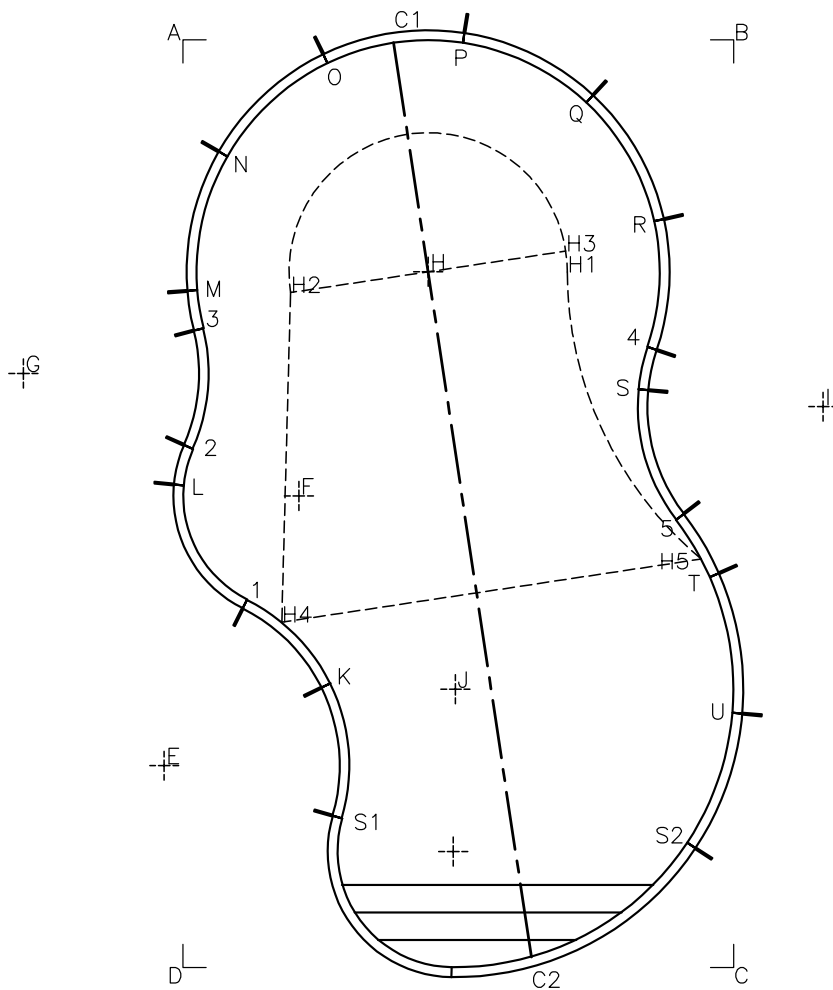
This information is the confidential property of Cardinal Systems, Inc. Disclosure or duplication without proper written approval is strictly prohibited. Acceptance and use of this drawing constitutes knowledge and acceptance by the user of the terms and conditions set forth in the notice and warning which accompanied this drawing is incorporated herein and made part hereof and is found on Cardinal Systems, Inc's website at [www.CardinalSystemsInc.com](http://www.CardinalSystemsInc.com)





**Pool Size:** 20' X 40'  
**Pool Shape:** MOUNTAIN POND **Approx Gal:** 24,626  
**Pool Number:** 2040MTPND – (STEEL)

250 Route 61 South, Schuylkill Haven, PA 17972 • 570-385-4733 • fax: 570-385-1318 • CustomerService@CardinalSystemsinc.com



**Date:** 5/10/2022

**Perimeter:** 105'-3 1/4"

**Drawn By:** JESSE H

**Area:** 677.0 SQ. FT.

**Scale:** 1/8" = 1'-0"

**Notes:** - - - -



This Information Is the confidential property of Cardinal Systems, Inc. Disclosure or duplication without proper written approval Is strictly prohibited. Acceptance and use of this drawing constitutes knowledge and acceptance by the user of the terms and conditions set forth in the notice and warning which accompanied this drawing Is Incorporated herein and made part hereof and Is found on Cardinal Systems, Inc's website at www.CardinalSystemsInc.com

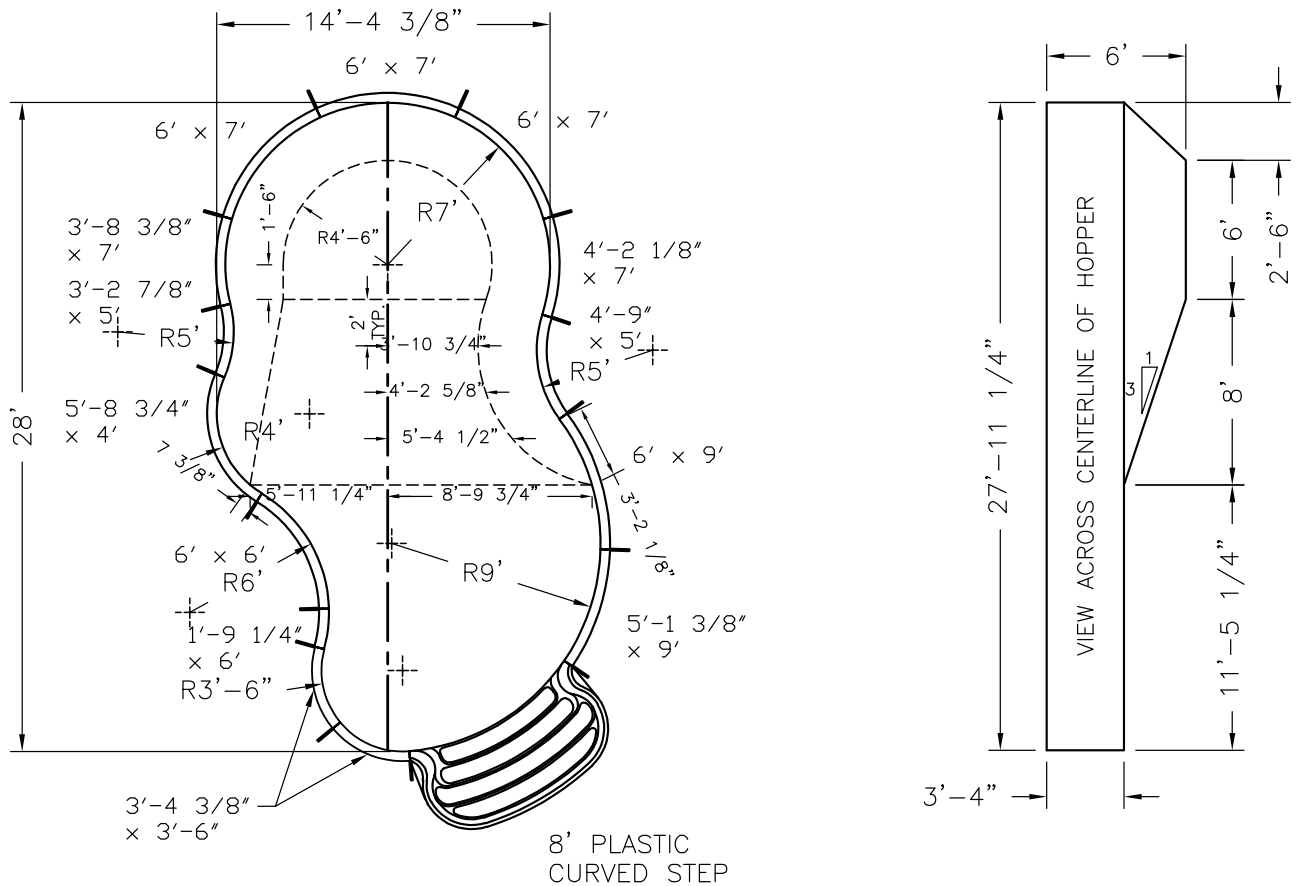


**Pool Size:** 14' X 28'  
**Pool Shape:** MOUNTAIN POND **Approx Gal:** 10,593  
**Pool Number:** 1428MTPND – (PLASTIC)

250 Route 61 South, Schuylkill Haven, PA 17972 • 570-385-4733 • fax: 570-385-1318 • CustomerService@CardinalSystemsinc.com

### Bill of Materials

PART NO.	QUANTITY	DESCRIPTION
"A" FRAME	15	"A" FRAME ASSEMBLY
5C42343XX03600	2	3'-4 3/8" x 3'-6" Radius C PANEL W/O Z
5C42383XX07000	1	3'-8 3/8" x 7' Radius C PANEL W/O Z
5C42421XX07000	1	4'-2 1/8" x 7' Radius C PANEL W/O Z
5C42513XX09000	1	5'-1 3/8" x 9' Radius C PANEL W/O Z
5C42586XX04000	1	5'-8 3/4" x 4' Radius C PANEL W/O Z
5C42600XX07000	3	6' x 7' Radius C PANEL W/O Z
5C42600XX09000	1	6' x 9' Radius C PANEL W/O Z
5R42192XX06000	1	1'-9 1/4" x 6' Radius R PANEL W/O Z
5R42327XX05000	1	3'-2 7/8" x 5' Radius R PANEL W/O Z
5R42490XX05000	1	4'-9" x 5' Radius R PANEL W/O Z
5R42600XX06000	1	6' x 6' Radius R PANEL W/O Z



NOTE: THIS IS A NON DIVING POOL.

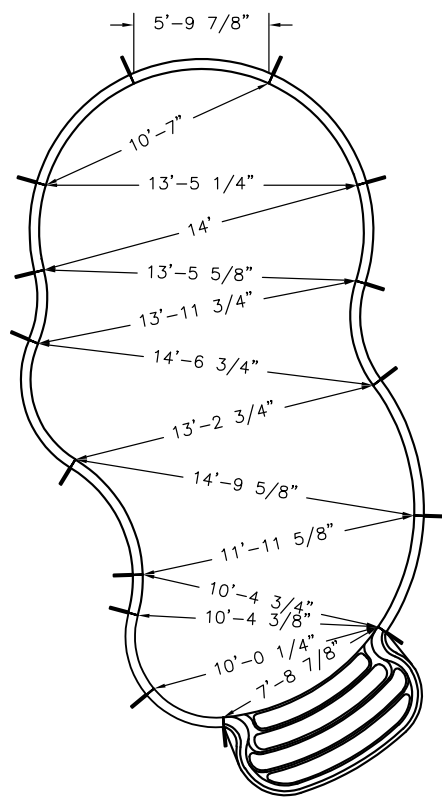
<b>Date:</b> 5/10/2022	<b>Perimeter:</b> 73'-2 1/2"	
<b>Drawn By:</b> JESSE H	<b>Area:</b> 332.3 SQ. FT.	
<b>Scale:</b> 1/8" = 1'-0"	<b>Notes:</b> -----	


This information is the confidential property of Cardinal Systems, Inc. Disclosure or duplication without proper written approval is strictly prohibited. Acceptance and use of this drawing constitutes knowledge and acceptance by the user of the terms and conditions set forth in the notice and warning which accompanied this drawing is incorporated herein and made part hereof and is found on Cardinal Systems, Inc's website at www.CardinalSystemsInc.com



**Pool Size:** 14' X 28'  
**Pool Shape:** MOUNTAIN POND **Approx Gal:** 10,593  
**Pool Number:** 1428MTPND – (PLASTIC)

250 Route 61 South, Schuylkill Haven, PA 17972 • 570-385-4733 • fax: 570-385-1318 • CustomerService@CardinalSystemsinc.com



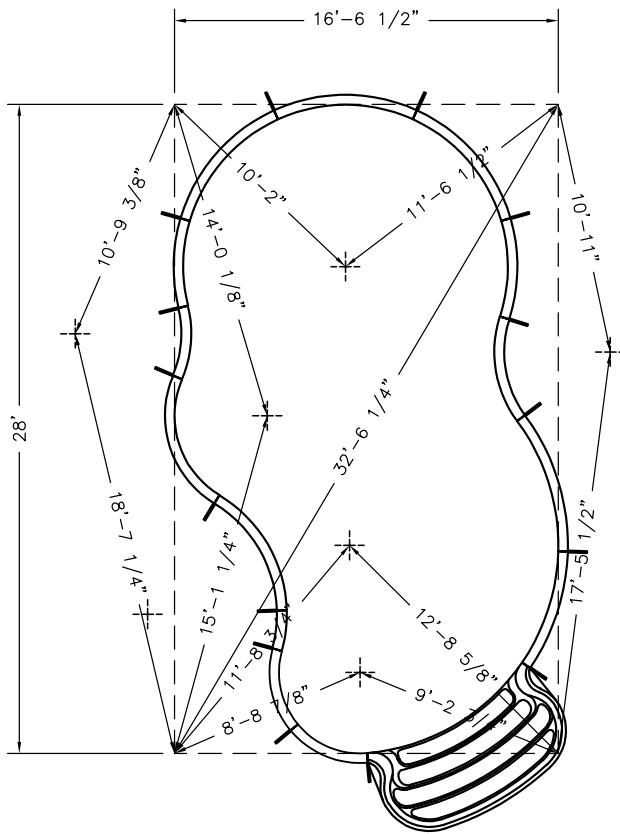
<b>Date:</b> 5/10/2022	<b>Perimeter:</b> 73'-2 1/2"	 <small>cardinalpools.com</small>
<b>Drawn By:</b> JESSE H	<b>Area:</b> 332.3 SQ. FT.	
<b>Scale:</b> 1/8" = 1'-0"	<b>Notes:</b> - - - -	

This information is the confidential property of Cardinal Systems, Inc. Disclosure or duplication without proper written approval is strictly prohibited. Acceptance and use of this drawing constitutes knowledge and acceptance by the user of the terms and conditions set forth in the notice and warning which accompanied this drawing is incorporated herein and made part hereof and is found on Cardinal Systems, Inc's website at [www.CardinalSystemsInc.com](http://www.CardinalSystemsInc.com)



**Pool Size:** 14' X 28'  
**Pool Shape:** MOUNTAIN POND **Approx Gal:** 10,593  
**Pool Number:** 1428MTPND – (PLASTIC)

250 Route 61 South, Schuylkill Haven, PA 17972 • 570-385-4733 • fax: 570-385-1318 • CustomerService@CardinalSystemsinc.com



**Date:** 5/10/2022

**Drawn By:** JESSE H

**Scale:** 1/8" = 1'-0"

**Perimeter:** 73'-2 1/2"

**Area:** 332.3 SQ. FT.

**Notes:** -----



cardinalpools.com

This information is the confidential property of Cardinal Systems, Inc. Disclosure or duplication without proper written approval is strictly prohibited. Acceptance and use of this drawing constitutes knowledge and acceptance by the user of the terms and conditions set forth in the notice and warning which accompanied this drawing is incorporated herein and made part hereof and is found on Cardinal Systems, Inc's website at www.CardinalSystemsInc.com



**Pool Size:** 14' X 28'  
**Pool Shape:** MOUNTAIN POND **Approx Gal:** 10,593  
**Pool Number:** 1428MTPND – (PLASTIC)

250 Route 61 South, Schuylkill Haven, PA 17972 • 570-385-4733 • fax: 570-385-1318 • CustomerService@CardinalSystemsinc.com

HOPPER DIG POINTS		F-I	17'-3"	I-K	12'-0 1/4"	G-H5	12'-6 3/4"
POINTS	DISTANCE	F-J	22'-11 1/4"	J-K	14'	I-H1	4'-6"
E-F	9'-6"	F-K	9'-2 3/8"	E-H1	16'-4 3/4"	I-H2	4'-6"
E-G	11'-9 1/4"	G-H	9'	E-H2	18'-2 7/8"	I-H3	4'-8 7/8"
E-H	19'-1"	G-I	7'-3 1/8"	E-H3	16'-9 5/8"	I-H4	11'-2 3/8"
E-I	17'-6 1/8"	G-J	15'-0 1/2"	E-H4	10'-4 1/4"	I-H5	12'-11 1/2"
E-J	17'-6 3/8"	G-K	6'-7 3/8"	E-H5	11'-5 1/4"	K-H1	11'-3 3/8"
E-K	5'-6"	H-I	12'	G-H1	9'-0 7/8"	K-H2	12'-10 3/4"
F-G	10'	H-J	23'-1"	G-H2	6'-6 3/8"	K-H3	11'-6 1/8"
F-H	12'-6"	H-K	14'-11 1/8"	G-H3	5'-0 3/4"	K-H4	6'-7 1/4"
		I-J	12'	G-H4	4'	K-H5	9'

PANEL TO HOPPER POINTS		2-H2	9'-10 3/4"	4-H1	11'-0 1/2"	5-H5	7'-8"
POINTS	DISTANCE	2-H3	8'-4 7/8"	4-H2	2'-10 1/8"	6-H1	6'-0 5/8"
		2-H4	7 3/8"	4-H3	2'-3 5/8"	6-H2	13'-7 5/8"
1-H1	16'-7 3/8"	2-H5	14'-3"	4-H4	7'-10 1/4"	6-H3	12'-11 5/8"
1-H2	16'-8"	3-H1	11'-9 3/8"	4-H5	17'-5 1/2"	6-H4	13'-7 5/8"
1-H3	15'-2 1/8"	3-H2	5'-5 7/8"	5-H1	2'-6"	6-H5	3'-2 1/8"
1-H4	7'-9 1/8"	3-H3	4'-2 5/8"	5-H2	11'-4 3/8"		
1-H5	13'-6 5/8"	3-H4	4'-9 1/4"	5-H3	11'-2 1/8"		
2-H1	12'-9 3/8"	3-H5	16'-6 3/8"	5-H4	14'-7"		

PANEL TO PANEL POINTS		2-N	14'-9 5/8"	4-C1	11'-0 3/8"	5-Q	12'-9 3/4"
POINTS	DISTANCE	2-O	16'-11 1/2"	4-C2	20'-5"	5-R	14'
		2-P	18'-2 7/8"	4-L	18'-8"	5-S1	19'-8 1/4"
1-C1	23'-8 7/8"	2-Q	16'-5"	4-M	13'-9 3/4"	5-S2	14'-11 1/2"
1-C2	5'-1 3/4"	2-R	11'-10 3/4"	4-N	19'-1 7/8"	6-C1	15'-6 3/8"
1-L	3'-2 7/8"	2-S1	12'-9 7/8"	4-O	14'	6-C2	16'-1"
1-M	1'-9 1/8"	2-S2	14'-11"	4-P	12'-7 3/8"	6-L	16'-1 5/8"
1-N	12'-7 7/8"	3-C1	13'-9 1/2"	4-Q	8'-11 3/8"	6-M	12'-10 3/8"
1-D	20'-9 3/4"	3-C2	17'-6 5/8"	4-R	3'-7 7/8"	6-N	5'-10 5/8"
1-P	23'-7 1/2"	3-L	15'-8 3/8"	4-S1	20'-9 3/8"	6-O	8'-7 7/8"
1-Q	22'-11 3/8"	3-M	10'-11 1/4"	4-S2	21'-1"	6-P	13'-9 3/8"
1-R	18'-11 5/8"	3-N	17'-10"	5-C1	11'-3 3/4"	6-Q	16'-7 3/8"
1-S1	5'-8 7/8"	3-O	15'-4 3/8"	5-C2	19'-11 1/4"	6-R	16'-6 5/8"
1-S2	10'-4 3/8"	3-P	15'	5-L	19'-7 5/8"	6-S1	15'-8 5/8"
2-C1	17'-8 1/2"	3-Q	11'-11 5/8"	5-M	15'-7 7/8"	6-S2	10'-5 1/8"
2-C2	12'-4 1/8"	3-R	6'-10"	5-N	10'-5 1/4"		
2-L	10'-5 3/8"	3-S1	17'-11 7/8"	5-O	4'-1 3/8"		
2-M	5'-9"	3-S2	19'-1"	5-P	9'-3 5/8"		

BOX POINTS		A-K	20'-5 1/2"	B-S1	29'-2 1/8"	D-C1	28'-11 3/8"
POINTS	DISTANCE	A-S1	29'-2 1/4"	B-S2	24'-1 1/2"	D-C2	7'-4 3/8"
		A-S2	28'-4 3/8"	C-C1	29'-5 1/2"	D-E	8'-8 7/8"
A-B	16'-6 1/2"	B-C	28'	C-C2	9'-2 1/8"	D-F	6'-1 3/8"
A-C	32'-6 1/4"	B-C1	9'-2 1/8"	C-D	16'-6 1/2"	D-G	15'-1 1/4"
A-C1	7'-4 3/8"	B-C2	29'-4 7/8"	C-E	9'-2 3/4"	D-H	18'-7 1/4"
A-C2	28'-10 3/4"	B-D	32'-6 1/4"	C-F	18'-8 1/4"	D-H1	22'-8 3/8"
A-D	28'	B-E	25'-11 1/4"	C-G	19'-2 5/8"	D-H2	21'-2 1/4"
A-E	25'-9 1/4"	B-F	28'-2 7/8"	C-H	27'-7 1/8"	D-H3	19'-8 1/2"
A-F	22'-0 3/8"	B-G	18'-4 1/2"	C-H1	20'-1 3/8"	D-H4	11'-7"
A-G	14'-0 1/8"	B-H	23'-0 5/8"	C-H2	25'-0 5/8"	D-H5	19'-10 1/4"
A-H	10'-9 3/8"	B-H1	9'-9 7/8"	C-H3	23'-9 3/4"	D-I	22'-3"
A-H1	14'-4 5/8"	B-H2	15'-4 3/8"	C-H4	18'-11 7/8"	D-J	25'-6 5/8"
A-H2	7'-6 3/4"	B-H3	16'-1 1/4"	C-H5	11'-6"	D-K	11'-8 3/4"
A-H3	8'-11 5/8"	B-H4	22'-4 1/2"	C-I	22'-11"	D-S1	8'-3 5/8"
A-H4	16'-6 3/4"	B-H5	16'-6"	C-J	17'-5 1/2"	D-S2	15'-5 7/8"
A-H5	23'-1 3/8"	B-I	11'-6 1/2"	C-K	12'-8 5/8"		
A-I	10'-2"	B-J	10'-11"	C-S1	8'-2 7/8"		
A-J	21'-7 3/8"	B-K	21'-0 1/2"	C-S2	4'-2 5/8"		

**Date:** 5/10/2022

**Perimeter:** 73'-2 1/2"

**Drawn By:** JESSE H

**Area:** 332.3 SQ. FT.

**Scale:** 1/8" = 1'-0"

**Notes:** - - - -



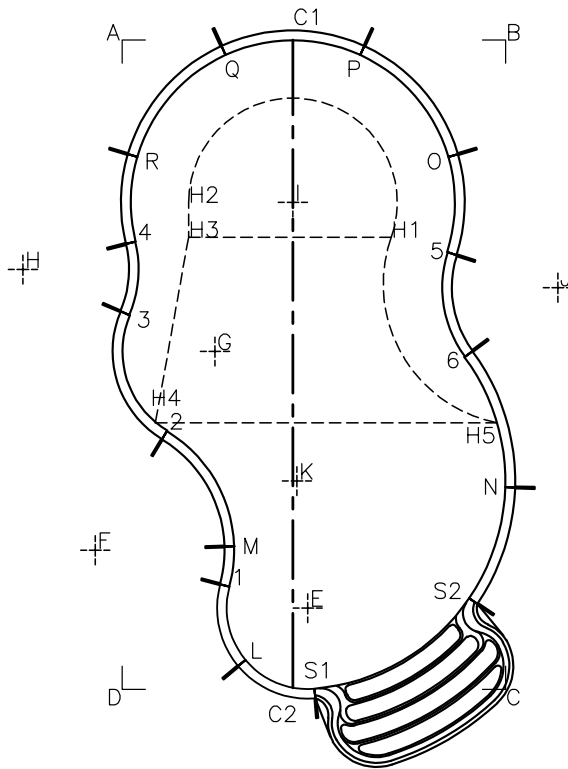
cardinalpools.com


This information is the confidential property of Cardinal Systems, Inc. Disclosure or duplication without proper written approval is strictly prohibited. Acceptance and use of this drawing constitutes knowledge and acceptance by the user of the terms and conditions set forth in the notice and warning which accompanied this drawing is incorporated herein and made part hereof and is found on Cardinal Systems, Inc's website at www.CardinalSystemsInc.com



**Pool Size:** 14' X 28'  
**Pool Shape:** MOUNTAIN POND **Approx Gal:** 10,593  
**Pool Number:** 1428MTPND – (PLASTIC)

250 Route 61 South, Schuylkill Haven, PA 17972 • 570-385-4733 • fax: 570-385-1318 • CustomerService@CardinalSystemsinc.com



<b>Date:</b> 5/10/2022	<b>Perimeter:</b> 73' - 2 1/2"	 cardinalpools.com
<b>Drawn By:</b> JESSE H	<b>Area:</b> 332.3 SQ. FT.	
<b>Scale:</b> 1/8" = 1'-0"	<b>Notes:</b> -----	

This information is the confidential property of Cardinal Systems, Inc. Disclosure or duplication without proper written approval is strictly prohibited. Acceptance and use of this drawing constitutes knowledge and acceptance by the user of the terms and conditions set forth in the notice and warning which accompanied this drawing is incorporated herein and made part hereof and is found on Cardinal Systems, Inc's website at www.CardinalSystemsInc.com

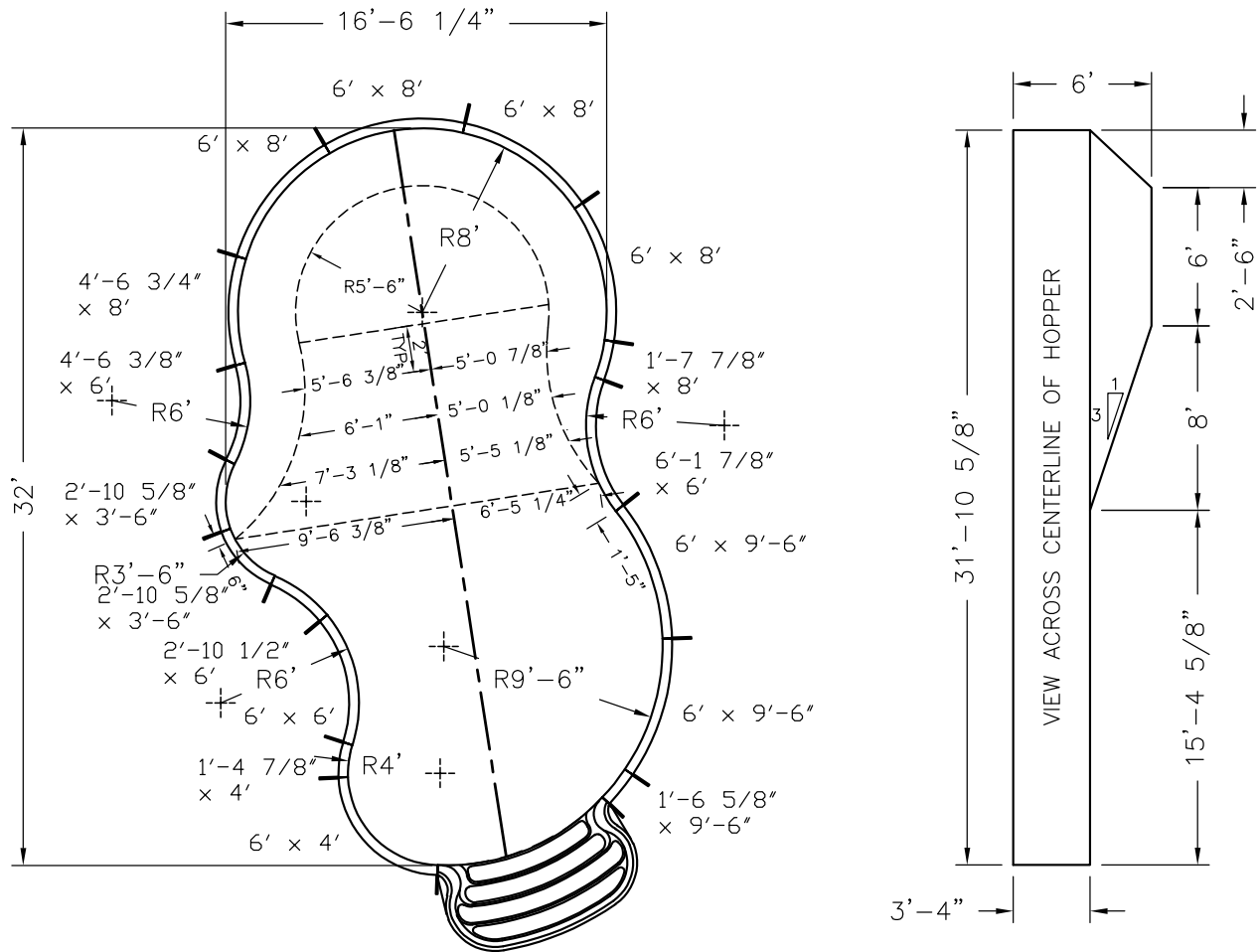


**Pool Size:** 16' X 32'  
**Pool Shape:** MOUNTAIN POND **Approx Gal:** 13,786  
**Pool Number:** 1632MTPND – (PLASTIC)

250 Route 61 South, Schuylkill Haven, PA 17972 • 570-385-4733 • fax: 570-385-1318 • CustomerService@CardinalSystemsinc.com

Bill of Materials

PART NO.	QUANTITY	DESCRIPTION
"A" FRAME	18	"A" FRAME ASSEMBLY
5C42147XX04000	1	1'-4 7/8" x 4' Radius C PANEL W/O Z
5C42165XX09600	1	1'-6 5/8" x 9'-6" Radius C PANEL W/O Z
5C42177XX08000	1	1'-7 7/8" x 8' Radius C PANEL W/O Z
5C422T5XX03600	2	2'-10 5/8" x 3'-6" Radius C PANEL W/O Z
5C42466XX08000	1	4'-6 3/4" x 8' Radius C PANEL W/O Z
5C42600XX04000	1	6' x 4' Radius C PANEL W/O Z
5C42600XX08000	4	6' x 8' Radius C PANEL W/O Z
5C42600XX09600	2	6' x 9'-6" Radius C PANEL W/O Z
5R422T4XX06000	1	2'-10 1/2" x 6' Radius R PANEL W/O Z
5R42463XX06000	1	4'-6 3/8" x 6' Radius R PANEL W/O Z
5R42600XX06000	1	6' x 6' Radius R PANEL W/O Z
5R42617XX06000	1	6'-1 7/8" x 6' Radius R PANEL W/O Z



8' CURVED PLASTIC STEP

NOTE: THIS IS A NON DIVING POOL.

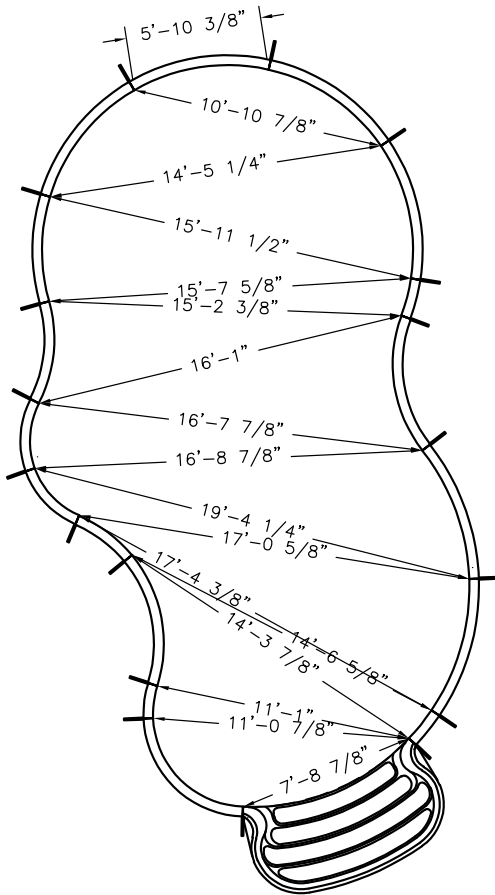
<b>Date:</b> 5/10/2022	<b>Perimeter:</b> 84'-6 1/4"	
<b>Drawn By:</b> JESSE H	<b>Area:</b> 432.5 SQ. FT.	
<b>Scale:</b> 1/8" = 1'-0"	<b>Notes:</b> - - - -	

This information is the confidential property of Cardinal Systems, Inc. Disclosure or duplication without proper written approval is strictly prohibited. Acceptance and use of this drawing constitutes knowledge and acceptance by the user of the terms and conditions set forth in the notice and warning which accompanied this drawing is incorporated herein and made part hereof and is found on Cardinal Systems, Inc's website at www.CardinalSystemsInc.com



**Pool Size:** 16' X 32'  
**Pool Shape:** MOUNTAIN POND **Approx Gal:** 13,786  
**Pool Number:** 1632MTPND – (PLASTIC)

250 Route 61 South, Schuylkill Haven, PA 17972 • 570-385-4733 • fax: 570-385-1318 • CustomerService@CardinalSystemsinc.com



**Date:** 5/10/2022

**Perimeter:** 84' - 6 1/4"

**Drawn By:** JESSE H

**Area:** 432.5 SQ. FT.

**Scale:** 1/8" = 1'-0"

**Notes:** -----



cardinalpools.com

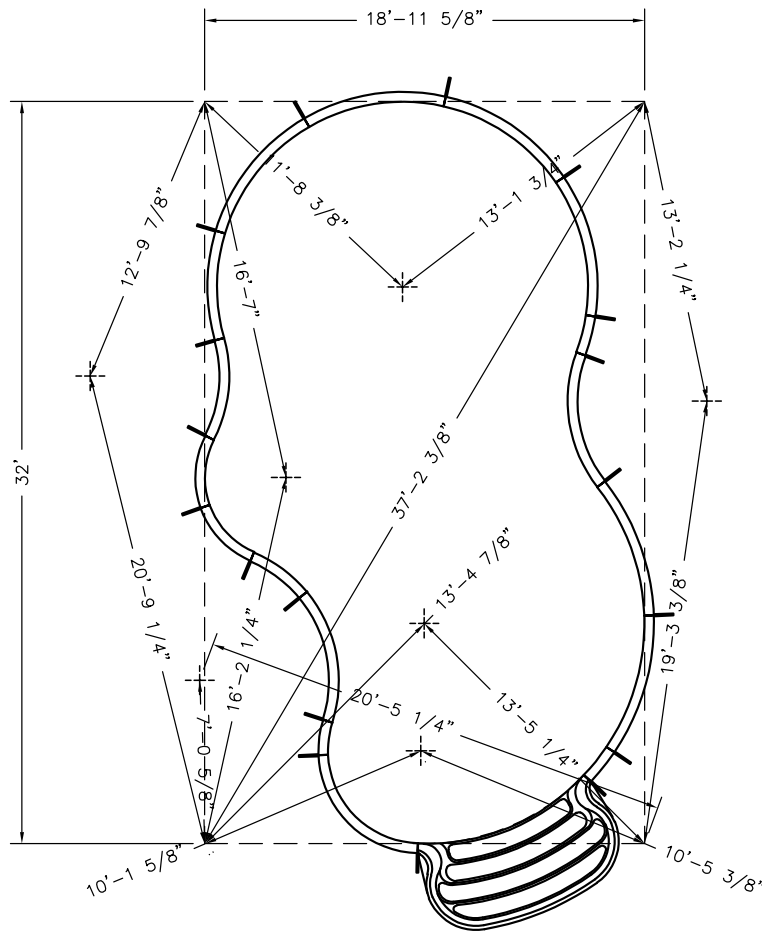
This information is the confidential property of Cardinal Systems, Inc. Disclosure or duplication without proper written approval is strictly prohibited. Acceptance and use of this drawing constitutes knowledge and acceptance by the user of the terms and conditions set forth in the notice and warning which accompanied this drawing is incorporated herein and made part hereof and is found on Cardinal Systems, Inc's website at www.CardinalSystemsInc.com





**Pool Size:** 16' X 32'  
**Pool Shape:** MOUNTAIN POND **Approx Gal:** 13,786  
**Pool Number:** 1632MTPND – (PLASTIC)

250 Route 61 South, Schuylkill Haven, PA 17972 • 570-385-4733 • fax: 570-385-1318 • CustomerService@CardinalSystemsInc.com



**Date:** 5/10/2022

**Perimeter:** 84'-6 1/4"

**Drawn By:** JESSE H

**Area:** 432.5 SQ. FT.

**Scale:** 1/8" = 1'-0"

**Notes:** - - - -



This information is the confidential property of Cardinal Systems, Inc. Disclosure or duplication without proper written approval is strictly prohibited. Acceptance and use of this drawing constitutes knowledge and acceptance by the user of the terms and conditions set forth in the notice and warning which accompanied this drawing is incorporated herein and made part hereof and is found on Cardinal Systems, Inc's website at www.CardinalSystemsInc.com



**Pool Size:** 16' X 32'  
**Pool Shape:** MOUNTAIN POND **Approx Gal:** 13,786  
**Pool Number:** 1632MTPND – (PLASTIC)


250 Route 61 South, Schuylkill Haven, PA 17972 • 570-385-4733 • fax: 570-385-1318 • CustomerService@CardinalSystemsinc.com

HOPPER DIG POINTS		F-I	19'-0 7/8"	I-K	14'-6 3/8"	G-H5	12'-8 5/8"
POINTS	DISTANCE	F-J	24'-11 3/8"	J-K	15'-6"	I-H1	5'-6"
		F-K	9'-11 3/4"	E-H1	19'-10 5/8"	I-H2	5'-6"
E-F	10'	G-H	9'-6"	E-H2	19'-7 3/4"	I-H3	5'-6"
E-G	13'-1 3/4"	G-I	9'-7 1/2"	E-H3	20'-10 1/2"	I-H4	12'-9 1/4"
E-H	21'-6 5/8"	G-J	18'-5 1/4"	E-H4	13'-6"	I-H5	10'-8"
E-I	20'-0 1/4"	G-K	8'-8 1/8"	E-H5	14'-4 1/8"	K-H1	14'-6 5/8"
E-J	19'-5 7/8"	H-I	14'	G-H1	12'-11"	K-H2	14'-7 1/8"
E-K	5'-6"	H-J	26'-7 1/8"	G-H2	6'-10 5/8"	K-H3	15'-6 3/8"
F-G	9'-6"	H-K	17'-11 1/8"	G-H3	13'-6 5/8"	K-H4	10'-2 1/8"
F-H	13'-11 1/4"	I-J	14'	G-H4	3'-6"	K-H5	9'-9 1/4"

PANEL TO HOPPER POINTS		2-H2	10'-1 7/8"	4-H1	13'-2 7/8"	5-H5	4'-7 3/8"
POINTS	DISTANCE	2-H3	16'-8 3/4"	4-H2	2'-6 1/8"	6-H1	8'-5 5/8"
		2-H4	2'-4"	4-H3	13'-5 1/8"	6-H2	15'-6 5/8"
1-H1	20'	2-H5	14'-7 3/8"	4-H4	7'-8 1/8"	6-H3	9'-5 1/8"
1-H2	17'-7 1/4"	3-H1	14'-10"	4-H5	16'-2 5/8"	6-H4	16'-6 3/4"
1-H3	20'-11 1/4"	3-H2	5'-11 5/8"	5-H1	2'-11 3/8"	6-H5	1'-5"
1-H4	10'-3 3/8"	3-H3	15'-3 1/2"	5-H2	12'-11"		
1-H5	15'-7 1/4"	3-H4	3'-3 1/8"	5-H3	3'-8 3/4"		
2-H1	16'-0 1/8"	3-H5	15'-9 7/8"	5-H4	17'-1 1/2"		

PANEL TO PANEL POINTS		2-P	13'-9 1/2"	3-U	21'-6"	5-Q	12'-0 3/4"
POINTS	DISTANCE	2-P	18'-5 7/8"	4-C1	12'	5-R	7'-4 3/8"
1-C1	26'-9"	2-Q	20'-10 3/4"	4-C2	24'-2 3/4"	5-S	1'-7 7/8"
1-C2	8'-2 3/4"	2-R	20'-6 7/8"	4-L	18'-6 3/8"	5-S1	22'-3 1/8"
1-L	1'-4 7/8"	2-S	17'-7"	4-M	11'-6 1/8"	5-S2	18'-2 7/8"
1-M	5'-9"	2-S1	14'-5"	4-N	7'-2 3/4"	5-T	11'-8 3/4"
1-N	10'-9 3/8"	2-S2	17'-2"	4-P	4'-6"	5-U	17'-1"
1-P	21'-7 1/8"	2-T	17'-0 5/8"	4-Q	9'-9 3/4"	6-C1	19'-1 1/2"
1-Q	25'-8 1/2"	2-U	17'-4 3/8"	4-R	13'-9 1/8"	6-C2	15'-8 5/8"
1-R	25'-2 1/2"	3-C1	16'-0 7/8"	4-S	15'-7 5/8"	6-L	16'-4 1/2"
1-S	20'-8 3/8"	3-C2	20'-8 3/8"	4-S1	23'-4 1/4"	6-M	13'-3 5/8"
1-S1	6'-4 3/4"	3-L	14'-5 1/4"	4-S2	24'-5"	6-N	16'-8 7/8"
1-S2	11'-1"	3-M	7'-8 1/8"	4-T	21'-8 5/8"	6-P	19'-5 1/8"
1-T	14'-2 3/4"	3-N	2'-9 5/8"	4-U	24'-1 7/8"	6-Q	17'-8 5/8"
1-U	11'-10 1/2"	3-P	14'-1 3/8"	5-C1	13'-9 5/8"	6-R	13'-3"
2-C1	20'-0 1/4"	3-Q	17'-5 3/4"	5-C2	21'-1 7/8"	6-S	7'-5 1/4"
2-C2	15'-9 3/8"	3-R	18'-5 1/2"	5-L	20'-4 7/8"	6-S1	17'-2 1/2"
2-L	9'-3 5/8"	3-S	16'-11 1/8"	5-M	15'-6 3/8"	6-S2	12'-5 1/4"
2-M	2'-10 1/8"	3-S1	19'-6 1/8"	5-N	17'-1 5/8"	6-T	5'-10 3/4"
2-N	2'-9 5/8"	3-S2	21'-6 3/8"	5-P	15'-0 7/8"	6-U	11'-2 5/8"
		3-T	20'-0 5/8"				

BOX POINTS		A-K	24'-5"	B-S1	33'-5 1/2"	D-C1	32'-8 7/8"
POINTS	DISTANCE	A-S1	33'-3 1/2"	B-S2	29'-2"	D-C2	12'-2 1/8"
A-B	18'-11 5/8"	A-S2	33'-4"	C-C1	33'-11 5/8"	D-E	10'-1 5/8"
A-C	37'-2 3/8"	B-C	32'	C-C2	6'-9 3/4"	D-F	7'-0 5/8"
A-C1	7'-3 3/4"	B-C1	11'-7 3/4"	C-D	18'-11 5/8"	D-G	16'-2 1/8"
A-C2	33'-10 1/2"	B-C2	32'-4"	C-E	10'-5 3/8"	D-H	20'-9 1/4"
A-D	32'	B-D	37'-2 3/8"	C-F	20'-5 1/4"	D-H1	27'-2 3/8"
A-E	29'-6 1/8"	B-E	29'-7 3/8"	C-G	22'-1 1/4"	D-H2	22'-10 3/4"
A-F	24'-11 3/8"	B-F	31'-5 5/8"	C-H	31'-3 1/4"	D-H3	28'-1 1/8"
A-G	16'-7"	B-G	22'-4 7/8"	C-H1	23'-10 1/4"	D-H4	14'-1 7/8"
A-H	12'-9 7/8"	B-H	26'-8"	C-H2	27'-7 1/2"	D-H5	23'-2 1/8"
A-H1	16'-5 1/2"	B-H1	10'	C-H3	24'-10 1/8"	D-I	25'-5 3/4"
A-H2	9'-10 3/8"	B-H2	18'-3 7/8"	C-H4	23'-4"	D-J	28'-10 1/4"
A-H3	15'-11 3/4"	B-H3	9'-1 3/8"	C-H5	16'-9 3/4"	D-K	13'-4 7/8"
A-H4	17'-10 1/4"	B-H4	25'-9"	C-I	26'-2 1/8"	D-S1	9'-2 3/8"
A-H5	22'-4 3/8"	B-H5	15'-8"	C-J	19'-3 3/8"	D-S2	16'-7 3/8"
A-I	11'-8 3/8"	B-I	13'-1 3/4"	C-K	13'-5 1/4"		
A-J	25'-2 3/8"	B-J	13'-2 1/4"	C-S1	9'-9 1/4"		
		B-K	24'-5 1/8"	C-S2	3'-11 3/8"		

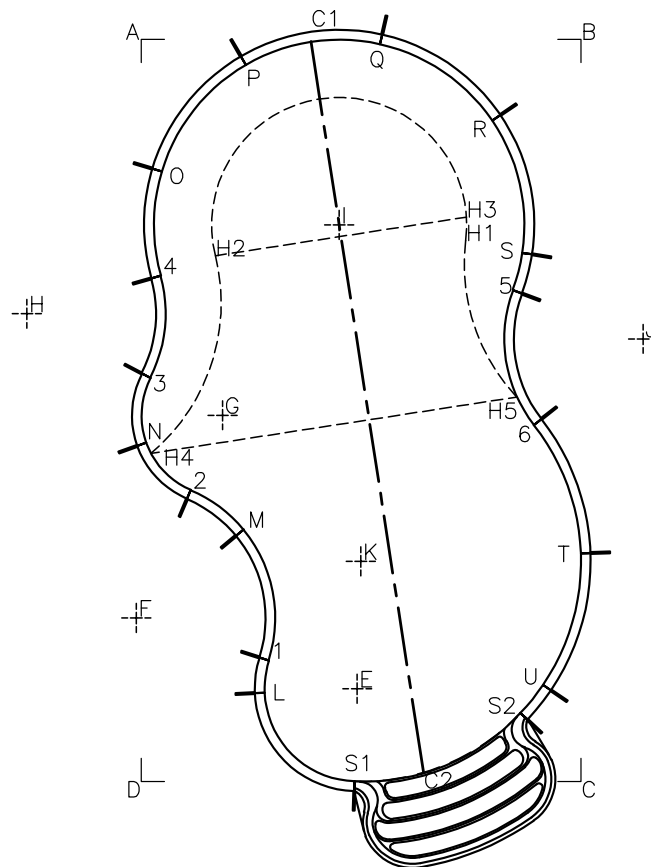
<b>Date:</b> 5/10/2022	<b>Perimeter:</b> 84'-6 1/4"	 cardinalpools.com
<b>Drawn By:</b> JESSE H	<b>Area:</b> 432.5 SQ. FT.	
<b>Scale:</b> 1/8" = 1'-0"	<b>Notes:</b> -----	


This information is the confidential property of Cardinal Systems, Inc. Disclosure or duplication without proper written approval is strictly prohibited. Acceptance and use of this drawing constitutes knowledge and acceptance by the user of the terms and conditions set forth in the notice and warning which accompanied this drawing is incorporated herein and made part hereof and is found on Cardinal Systems, Inc's website at www.CardinalSystemsInc.com



**Pool Size:** 16' X 32'  
**Pool Shape:** MOUNTAIN POND **Approx Gal:** 13,786  
**Pool Number:** 1632MTPND – (PLASTIC)

250 Route 61 South, Schuylkill Haven, PA 17972 • 570-385-4733 • fax: 570-385-1318 • CustomerService@CardinalSystemsinc.com



<b>Date:</b> 5/10/2022	<b>Perimeter:</b> 84'-6 1/4"	 cardinalpools.com
<b>Drawn By:</b> JESSE H	<b>Area:</b> 432.5 SQ. FT.	
<b>Scale:</b> 1/8" = 1'-0"	<b>Notes:</b> - - - -	

This information is the confidential property of Cardinal Systems, Inc. Disclosure or duplication without proper written approval is strictly prohibited. Acceptance and use of this drawing constitutes knowledge and acceptance by the user of the terms and conditions set forth in the notice and warning which accompanied this drawing is incorporated herein and made part hereof and is found on Cardinal Systems, Inc's website at www.CardinalSystemsInc.com

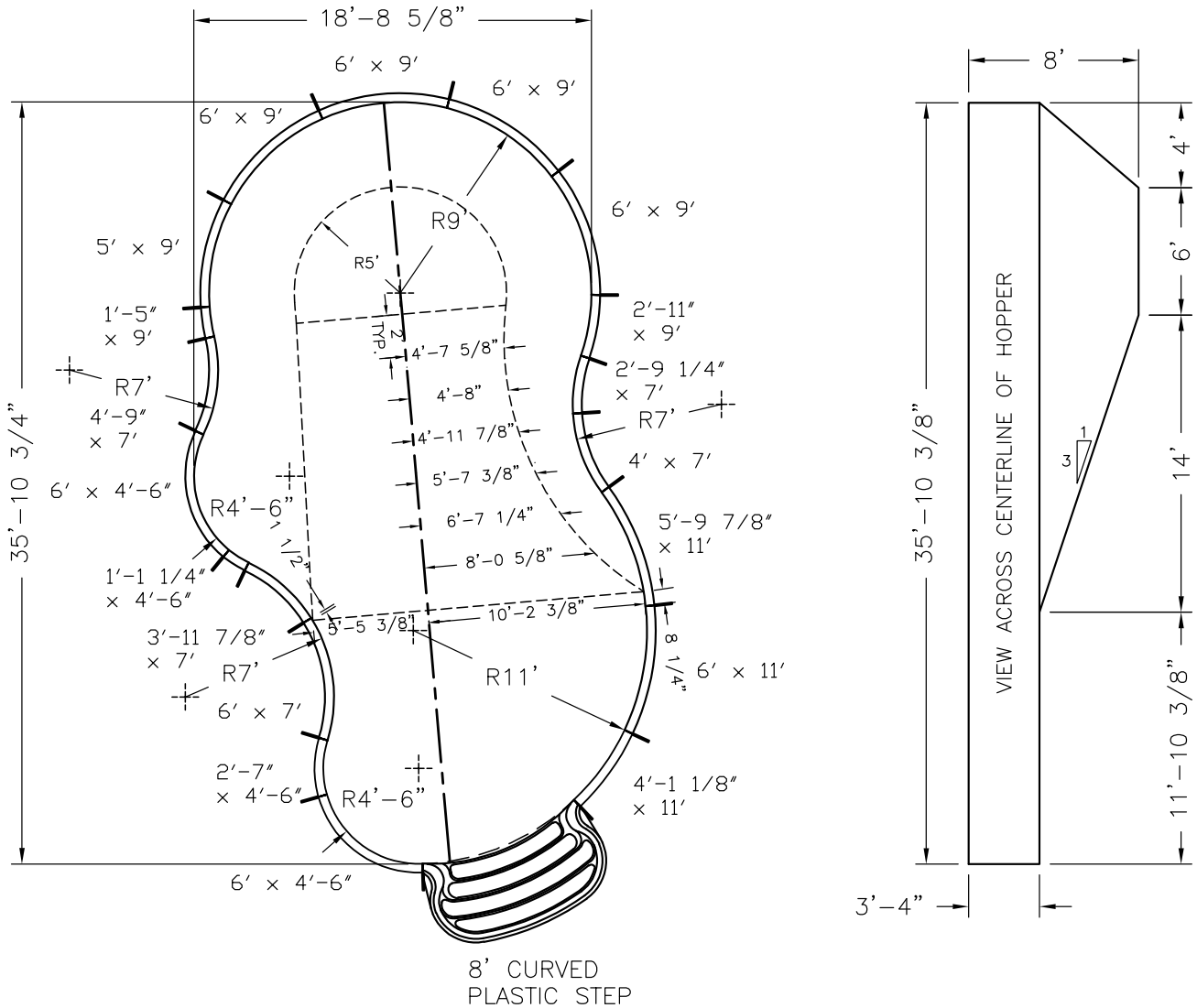


**Pool Size:** 18' X 36'  
**Pool Shape:** MOUNTAIN POND **Approx Gal:** 19,854  
**Pool Number:** 1836MTPND – (PLASTIC)

250 Route 61 South, Schuylkill Haven, PA 17972 • 570-385-4733 • fax: 570-385-1318 • CustomerService@CardinalSystemsinc.com

### Bill of Materials

PART NO.	QUANTITY	DESCRIPTION
"A" FRAME	20	"A" FRAME ASSEMBLY
5C42112XX04600	1	1'-1 1/4" x 4'-6" Radius C PANEL W/O Z
5C42150XX09000	1	1'-5" x 9' Radius C PANEL W/O Z
5C42270XX04600	1	2'-7" x 4'-6" Radius C PANEL W/O Z
5C422E0XX09000	1	2'-11" x 9' Radius C PANEL W/O Z
5C42411XX11000	1	4'-1 1/8" x 11' Radius C PANEL W/O Z
5C42500XX09000	1	5' x 9' Radius C PANEL W/O Z
5C42597XX11000	1	5'-9 7/8" x 11' Radius C PANEL W/O Z
5C42600XX04600	2	6' x 4'-6" Radius C PANEL W/O Z
5C42600XX09000	4	6' x 9' Radius C PANEL W/O Z
5C42600XX11000	1	6' x 11' Radius C PANEL W/O Z
5R42292XX07000	1	2'-9 1/4" x 7' Radius R PANEL W/O Z
5R423E7XX07000	1	3'-11 7/8" x 7' Radius R PANEL W/O Z
5R42400XX07000	1	4' x 7' Radius R PANEL W/O Z
5R42490XX07000	1	4'-9" x 7' Radius R PANEL W/O Z
5R42600XX07000	1	6' x 7' Radius R PANEL W/O Z



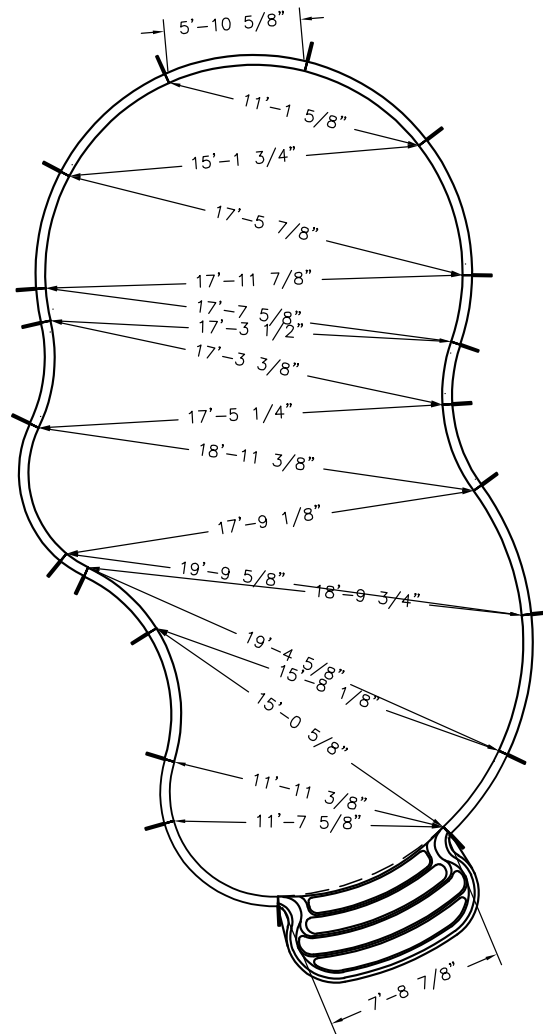
<b>Date:</b> 5/10/2022	<b>Perimeter:</b> 94'-5 3/8"	
<b>Drawn By:</b> JESSE H	<b>Area:</b> 545.8 SQ. FT.	
<b>Scale:</b> 1/8" = 1'-0"	<b>Notes:</b> -----	

This information is the confidential property of Cardinal Systems, Inc. Disclosure or duplication without proper written approval is strictly prohibited. Acceptance and use of this drawing constitutes knowledge and acceptance by the user of the terms and conditions set forth in the notice and warning which accompanied this drawing is incorporated herein and made part hereof and is found on Cardinal Systems, Inc's website at www.CardinalSystemsInc.com



**Pool Size:** 18' X 36'  
**Pool Shape:** MOUNTAIN POND **Approx Gal:** 19,854  
**Pool Number:** 1836MTPND – (PLASTIC)

250 Route 61 South, Schuylkill Haven, PA 17972 • 570-385-4733 • fax: 570-385-1318 • CustomerService@CardinalSystemsinc.com



**Date:** 5/10/2022

**Perimeter:** 94'-5 3/8"

**Drawn By:** JESSE H

**Area:** 545.8 SQ. FT.

**Scale:** 1/8" = 1'-0"

**Notes:** -----



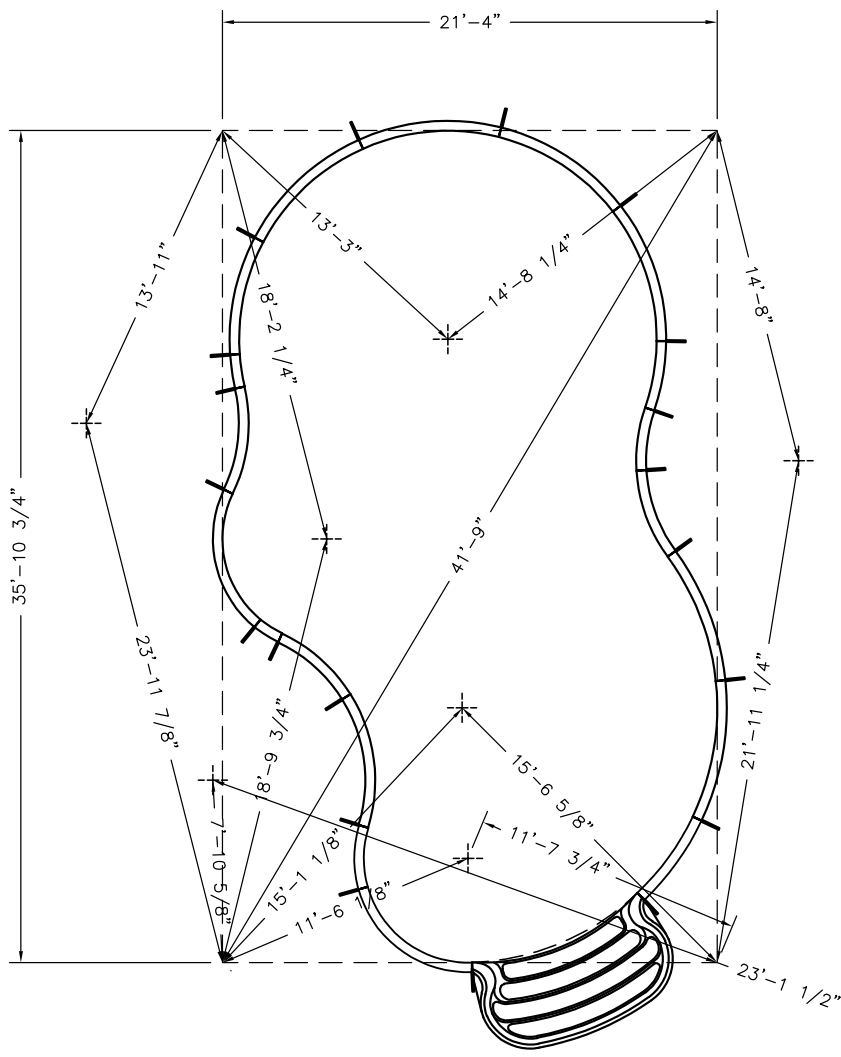
cardinalpools.com


This information is the confidential property of Cardinal Systems, Inc. Disclosure or duplication without proper written approval is strictly prohibited. Acceptance and use of this drawing constitutes knowledge and acceptance by the user of the terms and conditions set forth in the notice and warning which accompanied this drawing is incorporated herein and made part hereof and is found on Cardinal Systems, Inc's website at www.CardinalSystemsInc.com



**Pool Size:** 18' X 36'  
**Pool Shape:** MOUNTAIN POND **Approx Gal:** 19,854  
**Pool Number:** 1836MTPND – (PLASTIC)

250 Route 61 South, Schuylkill Haven, PA 17972 • 570-385-4733 • fax: 570-385-1318 • CustomerService@CardinalSystemsinc.com



<b>Date:</b> 5/10/2022	<b>Perimeter:</b> 94' - 5 3/8"	 cardinalpools.com
<b>Drawn By:</b> JESSE H	<b>Area:</b> 545.8 SQ. FT.	
<b>Scale:</b> 1/8" = 1'-0"	<b>Notes:</b> -----	

This information is the confidential property of Cardinal Systems, Inc. Disclosure or duplication without proper written approval is strictly prohibited. Acceptance and use of this drawing constitutes knowledge and acceptance by the user of the terms and conditions set forth in the notice and warning which accompanied this drawing is incorporated herein and made part hereof and is found on Cardinal Systems, Inc's website at www.CardinalSystemsInc.com



**Pool Size:** 18' X 36'  
**Pool Shape:** MOUNTAIN POND **Approx Gal:** 19,854  
**Pool Number:** 1836MTPND – (PLASTIC)

250 Route 61 South, Schuylkill Haven, PA 17972 • 570-385-4733 • fax: 570-385-1318 • CustomerService@CardinalSystemsinc.com

HOPPER DIG POINTS	F-I	21'-6 5/8"	I-K	15'-10 7/8"	G-H5	17'-6 1/2"	
POINTS	DISTANCE						
E-F	11'-6"	F-J	28'-9 1/8"	J-K	18'	I-H1	5'
E-G	15'-0 3/4"	F-K	11'-2 1/4"	E-H1	22'-2 3/8"	I-H2	5'
E-H	24'-11 3/8"	G-H	11'-6"	E-H2	22'-8 3/4"	I-H3	5'-1 1/4"
E-I	22'-4 7/8"	G-I	10'-1"	E-H3	21'-8 7/8"	I-H4	15'-11 1/2"
F-J	22'-3 5/8"	G-J	20'-7 1/2"	E-H4	8'-7"	I-H5	18'-1 5/8"
F-K	6'-6"	G-K	9'-3 7/8"	E-H5	13'-5 3/4"	K-H1	15'-11 1/8"
F-G	11'-6"	H-I	16'	G-H1	12'-11 7/8"	K-H2	16'-5 3/8"
F-H	16'-4"	H-J	30'-8 7/8"	G-H2	8'-2 1/4"	K-H3	15'-5 3/4"
		H-K	20'-3 3/4"	G-H3	7'-2 3/8"	K-H4	4'-9 1/4"
		I-J	16'	G-H4	6'-10 5/8"	K-H5	11'

PANEL TO HOPPER POINTS	2-H2	12'-5 3/8"	4-H1	13'-9 3/4"	5-H5	11'-6"	
POINTS	DISTANCE						
1-H1	22'-1 7/8"	2-H3	11'-5 7/8"	4-H2	4'-1 3/8"	6-H1	9'-10 3/4"
1-H2	20'-8 3/8"	2-H4	4'-0 3/4"	4-H3	3'-11"	6-H2	17'
1-H3	19'-8 3/8"	2-H5	18'-7 7/8"	4-H4	14'-1 7/8"	6-H3	16'-5 1/8"
1-H4	5'-8 3/8"	3-H1	15'-5 7/8"	4-H5	23'-6 3/8"	6-H4	14'-10 5/8"
1-H5	16'-5 1/2"	3-H2	7'-6 7/8"	5-H1	4'-3 1/8"	6-H5	5'-1"
2-H1	17'-1 5/8"	3-H3	6'-10"	5-H2	13'-8 5/8"		
		3-H4	10'-1 3/4"	5-H3	13'-5 3/4"		
		3-H5	22'-0 1/8"	5-H4	17'-9"		

PANEL TO PANEL POINTS	2-P	16'-10 3/4"	3-W	24'-2 7/8"	5-R	13'-3 1/4"	
POINTS	DISTANCE						
1-C1	30'-1 7/8"	2-Q	21'-2 3/8"	4-C1	13'-7 1/4"	5-S	8'-6 3/4"
1-C2	8'-1 1/8"	2-R	23'-4 3/8"	4-C2	27'-1 1/8"	5-S1	25'-0 7/8"
1-L	2'-6 5/8"	2-S	23'-1 3/8"	4-L	22'-2 5/8"	5-S2	20'-11 1/4"
1-M	5'-9 7/8"	2-S1	16'-4 5/8"	4-M	14'-0 3/8"	5-T	2'-10 7/8"
1-N	10'-1 1/4"	2-S2	18'-11 5/8"	4-N	10'-1"	5-U	2'-9"
1-D	21'-2"	2-T	20'-5 3/4"	4-O	1'-5"	5-V	12'-2 1/4"
1-P	25'-8"	2-U	16'-9 3/4"	4-P	6'-3 3/8"	5-W	17'-9 1/8"
1-Q	29'-3 1/2"	2-V	18'-9 3/4"	4-Q	11'-5 1/2"	6-C1	21'-0 1/4"
1-R	30'-4"	2-W	19'-4 5/8"	4-R	15'-4 3/8"	6-C2	18'-9 1/2"
1-S	28'-7 1/8"	3-C1	17'-9 1/2"	4-S	17'-7"	6-L	19'-2 7/8"
1-S1	7'-4 1/8"	3-C2	23'-2 1/2"	4-S1	26'-8 5/8"	6-M	14'-10 3/4"
1-S2	11'-11 3/8"	3-L	17'-11 1/8"	4-S2	27'-7 3/4"	6-N	17'-9 1/8"
1-T	24'-4 3/4"	3-M	10'-0 1/4"	4-T	17'-10 1/2"	6-O	20'-5"
1-U	19'-3 1/8"	3-N	5'-6 3/4"	4-U	17'-3 3/8"	6-P	22'-1 1/4"
1-V	16'-3 1/4"	3-O	6'-0 3/8"	4-V	23'-11 5/8"	6-Q	21'-11 5/8"
1-W	14'-0 1/8"	3-P	10'-11 1/4"	4-W	26'-9 1/2"	6-R	19'-6 1/4"
2-C1	22'-6 7/8"	3-Q	15'-10 7/8"	5-C1	15'-1 1/4"	6-S	15'-0 7/8"
2-C2	16'-11 1/2"	3-R	19'-2 3/8"	5-C2	24'-7 1/4"	6-S1	19'-5 1/8"
2-L	11'-6 3/8"	3-S	20'-5"	5-L	23'-10 5/8"	6-S2	14'-6 3/4"
2-M	3'-11 1/4"	3-S1	22'-8 3/8"	5-M	17'-8 5/8"	6-T	9'-3 3/4"
2-N	1'-1 1/4"	3-S2	24'-6 1/8"	5-N	18'-11 1/4"	6-U	3'-11 3/8"
2-O	12'-2 1/4"	3-T	19'-5 1/8"	5-O	17'-7 5/8"	6-V	5'-9"
		3-U	17'-5 1/4"	5-P	17'-11 3/8"	6-W	11'-3 1/8"
		3-V	22'-4 1/8"	5-Q	16'-6 1/4"		

BOX POINTS	A-K	26'-11 1/2"	B-S1	37'-5"	D-C1	36'-11 1/2"	
POINTS	DISTANCE						
A-B	21'-4"	A-S1	37'-5 5/8"	B-S2	33'-0 3/4"	D-C2	12'-0 5/8"
A-C	41'-9"	A-S2	37'-5 1/4"	C-C1	37'-11 1/4"	D-E	11'-6 1/8"
A-C1	8'-11 3/8"	B-C	35'-10 3/4"	C-C2	9'-3 1/2"	D-F	7'-10 5/8"
A-C2	37'-8 7/8"	B-C1	12'-4 5/8"	C-D	21'-4"	D-G	18'-9 3/4"
A-D	35'-10 3/4"	B-C2	36'-11 3/8"	C-E	11'-7 3/4"	D-H	23'-11 7/8"
A-E	33'-1 1/2"	B-D	41'-9"	C-F	23'-1 1/2"	D-H1	30'-1 3/4"
A-F	28'-0 1/4"	B-E	33'-2 1/8"	C-G	24'-10 1/8"	D-H2	26'-10 5/8"
A-G	18'-2 1/4"	B-F	35'-5 5/8"	C-H	35'-9 1/2"	D-H3	25'-11"
A-H	13'-11"	B-G	24'-4 1/2"	C-H1	27'-1 3/4"	D-H4	12'-9 1/4"
A-H1	17'-6 3/8"	B-H	29'-11 3/4"	C-H2	31'-2 3/4"	D-H5	24'-9 1/8"
A-H2	10'-6 3/4"	B-H1	11'-7 7/8"	C-H3	30'-4 1/8"	D-I	28'-7 1/8"
A-H3	11'-5 7/8"	B-H2	19'-1"	C-H4	19'-5 3/4"	D-J	32'-11 1/2"
A-H4	25'-0 5/8"	B-H3	19'-6 1/4"	C-H5	12'-10"	D-K	15'-1 1/8"
A-H5	31'-3 3/4"	B-H4	29'-0 5/8"	C-I	29'-3 1/2"	D-S1	10'-9 1/8"
A-I	13'-3"	B-H5	23'-0 3/4"	C-J	21'-11 1/4"	D-S2	18'-1 3/4"
A-J	28'-7 5/8"	B-I	14'-8 1/4"	C-K	15'-6 5/8"		
		B-J	14'-8"	C-S1	10'-6 7/8"		
		B-K	27'-2 5/8"	C-S2	4'-6 7/8"		

**Date:** 5/10/2022

**Perimeter:** 94'-5 3/8"

**Drawn By:** JESSE H

**Area:** 545.8 SQ. FT.

**Scale:** 1/8" = 1'-0"

**Notes:** - - - -



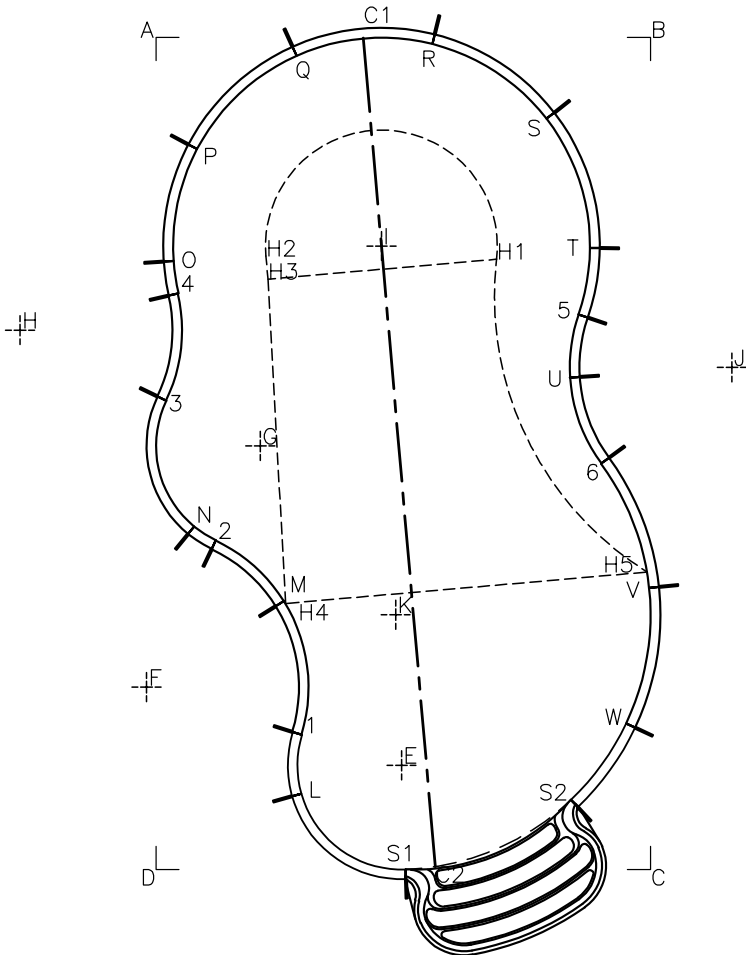
cardinalpools.com

This information is the confidential property of Cardinal Systems, Inc. Disclosure or duplication without proper written approval is strictly prohibited. Acceptance and use of this drawing constitutes knowledge and acceptance by the user of the terms and conditions set forth in the notice and warning which accompanied this drawing is incorporated herein and made part hereof and is found on Cardinal Systems, Inc's website at www.CardinalSystemsInc.com



**Pool Size:** 18' X 36'  
**Pool Shape:** MOUNTAIN POND **Approx Gal:** 19,854  
**Pool Number:** 1836MTPND – (PLASTIC)

250 Route 61 South, Schuylkill Haven, PA 17972 • 570-385-4733 • fax: 570-385-1318 • CustomerService@CardinalSystemsinc.com



**Date:** 5/10/2022

**Perimeter:** 94' - 5 3/8"

**Drawn By:** JESSE H

**Area:** 545.8 SQ. FT.

**Scale:** 1/8" = 1'-0"

**Notes:** -----



cardinalpools.com

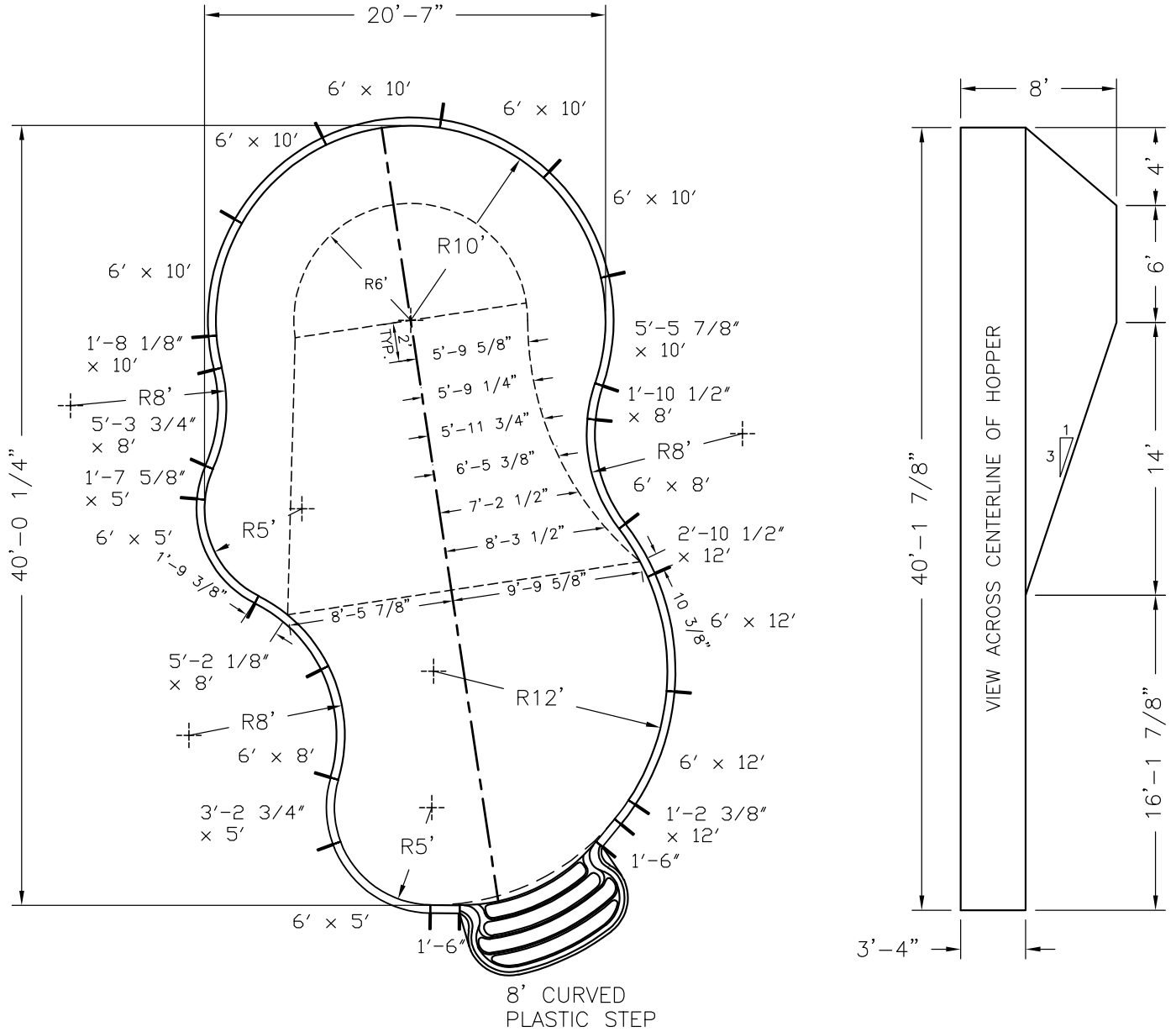
This information is the confidential property of Cardinal Systems, Inc. Disclosure or duplication without proper written approval is strictly prohibited. Acceptance and use of this drawing constitutes knowledge and acceptance by the user of the terms and conditions set forth in the notice and warning which accompanied this drawing is incorporated herein and made part hereof and is found on Cardinal Systems, Inc's website at www.CardinalSystemsInc.com






**Pool Size:** 20' X 40'  
**Pool Shape:** MOUNTAIN POND **Approx Gal:** 24,703  
**Pool Number:** 2040MTPND – (PLASTIC)

250 Route 61 South, Schuylkill Haven, PA 17972 • 570-385-4733 • fax: 570-385-1318 • CustomerService@CardinalSystemsinc.com



<b>Date:</b> 5/10/2022	<b>Perimeter:</b> 105'-5 5/8"	 cardinalpools.com
<b>Drawn By:</b> JESSE H	<b>Area:</b> 679.1 SQ. FT.	
<b>Scale:</b> 1/8" = 1'-0"	<b>Notes:</b> - - - -	

This information is the confidential property of Cardinal Systems, Inc. Disclosure or duplication without proper written approval is strictly prohibited. Acceptance and use of this drawing constitutes knowledge and acceptance by the user of the terms and conditions set forth in the notice and warning which accompanied this drawing is incorporated herein and made part hereof and is found on Cardinal Systems, Inc's website at www.CardinalSystemsInc.com




**Pool Size:** 20' X 40'  
**Pool Shape:** MOUNTAIN POND **Approx Gal:** 24,703  
**Pool Number:** 2040MTPND – (PLASTIC)

250 Route 61 South, Schuylkill Haven, PA 17972 • 570-385-4733 • fax: 570-385-1318 • CustomerService@CardinalSystemsinc.com

### Bill of Materials

PART NO.	QUANTITY	DESCRIPTION
"A" FRAME	23	"A" FRAME ASSEMBLY
5C42123XX12000	1	1'-2 3/8" x 12' Radius C PANEL W/O Z
5C42175XX05000	1	1'-7 5/8" x 5' Radius C PANEL W/O Z
5C42181XX10000	1	1'-8 1/8" x 10' Radius C PANEL W/O Z
5C422T4XX12000	1	2'-10 1/2" x 12' Radius C PANEL W/O Z
5C42326XX05000	1	3'-2 3/4" x 5' Radius C PANEL W/O Z
5C42557XX10000	1	5'-5 7/8" x 10' Radius C PANEL W/O Z
5C42600XX05000	2	6' x 5' Radius C PANEL W/O Z
5C42600XX10000	5	6' x 10' Radius C PANEL W/O Z
5C42600XX12000	2	6' x 12' Radius C PANEL W/O Z
5R421T4XX08000	1	1'-10 1/2" x 8' Radius R PANEL W/O Z
5R42521XX08000	1	5'-2 1/8" x 8' Radius R PANEL W/O Z
5R42536XX08000	1	5'-3 3/4" x 8' Radius R PANEL W/O Z
5R42600XX08000	2	6' x 8' Radius R PANEL W/O Z
5S42160XXX0	2	1'-6" Straight PANEL W/O Z

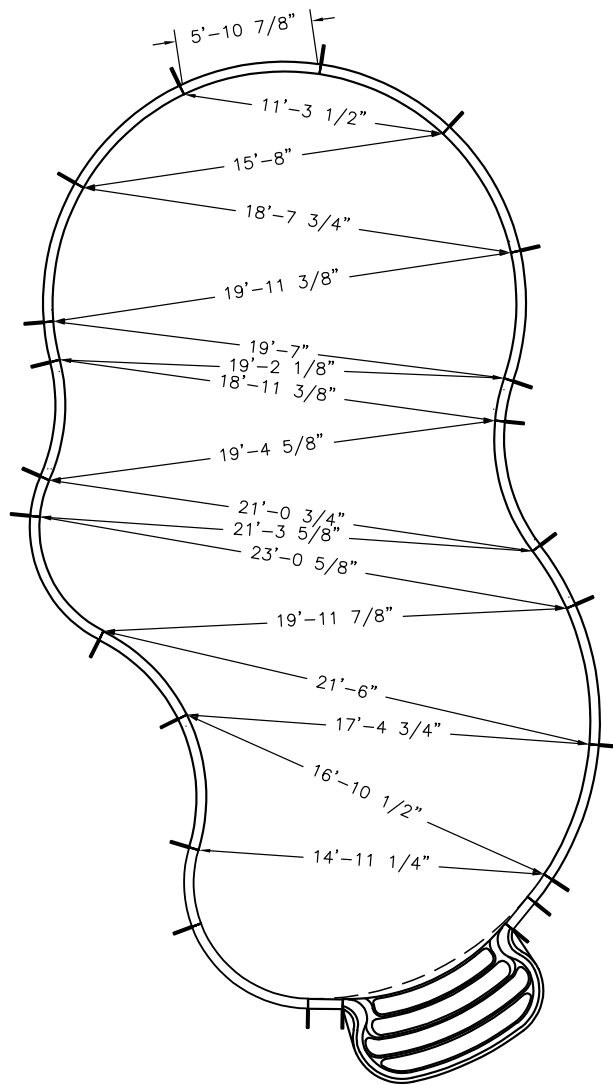
<b>Date:</b> 5/10/2022	<b>Perimeter:</b> 105'-5 5/8"	 <small>cardinalpools.com</small>
<b>Drawn By:</b> JESSE H	<b>Area:</b> 679.1 SQ. FT.	
<b>Scale:</b> 1/8" = 1'-0"	<b>Notes:</b> -----	

This information is the confidential property of Cardinal Systems, Inc. Disclosure or duplication without proper written approval is strictly prohibited. Acceptance and use of this drawing constitutes knowledge and acceptance by the user of the terms and conditions set forth in the notice and warning which accompanied this drawing is incorporated herein and made part hereof and is found on Cardinal Systems, Inc's website at [www.CardinalSystemsInc.com](http://www.CardinalSystemsInc.com)



**Pool Size:** 20' X 40'  
**Pool Shape:** MOUNTAIN POND **Approx Gal:** 24,703  
**Pool Number:** 2040MTPND – (PLASTIC)

250 Route 61 South, Schuylkill Haven, PA 17972 • 570-385-4733 • fax: 570-385-1318 • CustomerService@CardinalSystemsinc.com



**Date:** 5/10/2022

**Perimeter:** 105'-5 5/8"

**Drawn By:** JESSE H

**Area:** 679.1 SQ. FT.

**Scale:** 1/8" = 1'-0"

**Notes:** - - - -

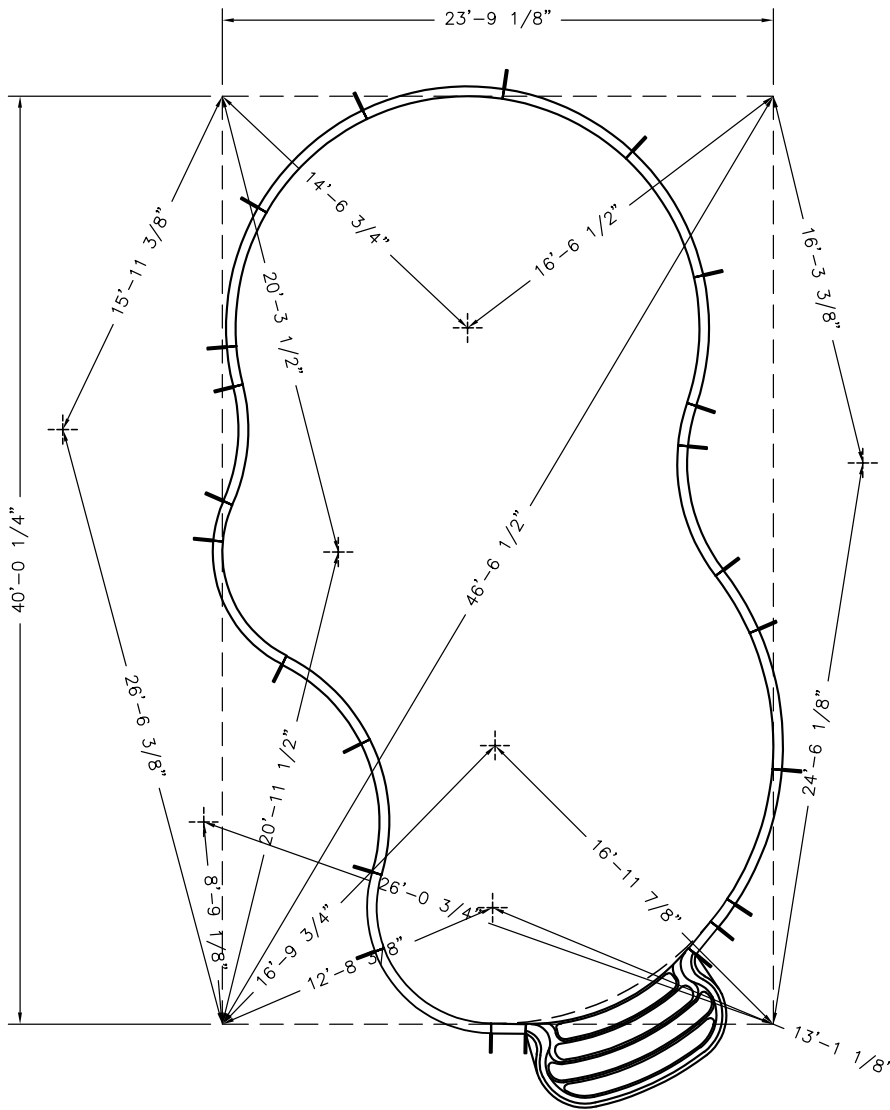


This information is the confidential property of Cardinal Systems, Inc. Disclosure or duplication without proper written approval is strictly prohibited. Acceptance and use of this drawing constitutes knowledge and acceptance by the user of the terms and conditions set forth in the notice and warning which accompanied this drawing is incorporated herein and made part hereof and is found on Cardinal Systems, Inc's website at www.CardinalSystemsInc.com



**Pool Size:** 20' X 40'  
**Pool Shape:** MOUNTAIN POND **Approx Gal:** 24,703  
**Pool Number:** 2040MTPND – (PLASTIC)

250 Route 61 South, Schuylkill Haven, PA 17972 • 570-385-4733 • fax: 570-385-1318 • CustomerService@CardinalSystemsInc.com



**Date:** 5/10/2022

**Drawn By:** JESSE H

**Scale:** 1/8" = 1'-0"

**Perimeter:** 105'-5 5/8"

**Area:** 679.1 SQ. FT.

**Notes:** -----



cardinalpools.com

This information is the confidential property of Cardinal Systems, Inc. Disclosure or duplication without proper written approval is strictly prohibited. Acceptance and use of this drawing constitutes knowledge and acceptance by the user of the terms and conditions set forth in the notice and warning which accompanied this drawing is incorporated herein and made part hereof and is found on Cardinal Systems, Inc's website at www.CardinalSystemsInc.com



**Pool Size:** 20' X 40'  
**Pool Shape:** MOUNTAIN POND **Approx Gal:** 24,703  
**Pool Number:** 2040MTPND – (PLASTIC)

250 Route 61 South, Schuylkill Haven, PA 17972 • 570-385-4733 • fax: 570-385-1318 • CustomerService@CardinalSystemsInc.com

HOPPER DIG POINTS		F-I	I-K	G-H5
POINTS	DISTANCE	F-J	J-K	I-H1
E-F	13'	F-K	E-H1	I-H2
E-G	16'-8 5/8"	G-H	E-H2	I-H3
E-H	27'-8 3/4"	G-I	E-H3	I-H4
E-I	25'-0 1/4"	G-J	E-H4	I-H5
F-J	24'-11 1/2"	G-K	E-H5	K-H1
F-K	7'	H-I	G-H1	K-H2
F-G	13'	H-J	G-H2	K-H3
F-H	17'-11 5/8"	H-K	G-H3	K-H4
		I-J	G-H4	K-H5
PANEL TO HOPPER POINTS		2-H4	4-H5	7-H1
POINTS	DISTANCE	2-H5	5-H1	7-H2
1-H1	30'-4 7/8"	3-H1	5-H2	7-H3
1-H2	29'-11 1/8"	3-H2	5-H3	7-H4
1-H3	31'-3 3/8"	3-H3	5-H4	7-H5
1-H4	16'-7 1/8"	3-H4	5-H5	8-H1
1-H5	20'-7 3/4"	3-H5	6-H1	8-H2
2-H1	25'-6"	4-H1	6-H2	8-H3
2-H2	22'-9 1/2"	4-H2	6-H3	8-H4
2-H3	26'-3 5/8"	4-H3	6-H4	8-H5
		4-H4	6-H5	
PANEL TO PANEL POINTS		2-W	4-X	7-C1
POINTS	DISTANCE	2-X	5-C1	7-C2
1-C1	39'-11 5/8"	3-C1	5-C2	7-L
1-C2	3'-5 7/8"	3-C2	5-L	7-M
1-L	5'-7 3/4"	3-L	5-M	7-N
1-M	13'-4"	3-M	5-N	7-O
1-N	23'-9 1/2"	3-N	5-P	7-P
1-O	31'-2 1/2"	3-O	5-Q	7-Q
1-P	36'-3 5/8"	3-P	5-R	7-R
1-Q	39'-4 1/2"	3-Q	5-S	7-S
1-R	39'-10 3/4"	3-R	5-S1	7-S1
1-S	37'-9 1/8"	3-S	5-S2	7-S2
1-S1	1'-6"	3-S1	5-T	7-T
1-S2	9'-1 3/8"	3-S2	5-U	7-U
1-T	33'-4 1/4"	3-T	5-V	7-V
1-U	26'-2 1/2"	3-U	5-W	7-W
1-V	20'-2 3/8"	3-V	5-X	7-X
1-W	16'-4 1/4"	3-W	6-C1	8-C1
1-X	11'-6 1/8"	3-X	6-C2	8-C2
2-C1	33'-6 1/2"	4-C1	6-L	8-L
2-C2	10'-3 3/4"	4-C2	6-M	8-M
2-L	3'-2 1/8"	4-L	6-N	8-N
2-M	5'-10 3/8"	4-M	6-O	8-O
2-N	15'-11"	4-N	6-P	8-P
2-O	23'-7 5/8"	4-O	6-Q	8-Q
2-P	28'-11 7/8"	4-P	6-R	8-R
2-Q	32'-7 1/8"	4-Q	6-S	8-S
2-R	33'-10 3/8"	4-R	6-S1	8-S1
2-S	32'-7 5/8"	4-S	6-S2	8-S2
2-S1	8'-11 1/2"	4-S1	6-T	8-T
2-S2	13'-7 3/8"	4-S2	6-U	8-U
2-T	29'-0 7/8"	4-T	6-V	8-V
2-U	22'-6"	4-U	6-W	8-W
2-V	18'-11 3/4"	4-V	6-X	8-X
		4-W		

**Date:** 5/10/2022

**Perimeter:** 105'-5 5/8"

**Drawn By:** JESSE H

**Area:** 679.1 SQ. FT.

**Scale:** 1/8" = 1'-0"

**Notes:** - - - -



cardinalpools.com

This information is the confidential property of Cardinal Systems, Inc. Disclosure or duplication without proper written approval is strictly prohibited. Acceptance and use of this drawing constitutes knowledge and acceptance by the user of the terms and conditions set forth in the notice and warning which accompanied this drawing is incorporated herein and made part hereof and is found on Cardinal Systems, Inc's website at www.CardinalSystemsInc.com



**Pool Size:** 20' X 40'  
**Pool Shape:** MOUNTAIN POND **Approx Gal:** 24,703  
**Pool Number:** 2040MTPND – (PLASTIC)

250 Route 61 South, Schuylkill Haven, PA 17972 • 570-385-4733 • fax: 570-385-1318 • CustomerService@CardinalSystemsinc.com

BOX POINTS		A-K	30'-4 1/2"	B-S1	41'-5"	D-C1	40'-11 1/4"
POINTS	DISTANCE	A-S1	42'-1 1/4"	B-S2	36'-11 1/4"	D-C2	15'-0 7/8"
A-B	23'-9 1/8"	A-S2	41'-10 3/4"	C-C1	42'-6 1/4"	D-E	12'-8 3/8"
A-C	46'-6 1/2"	B-C	40'-0 1/4"	C-C2	8'-8 1/4"	D-F	8'-9 1/8"
A-C1	9'-1 1/8"	B-C1	14'-8"	C-D	23'-9 1/8"	D-G	20'-11 1/2"
A-C2	42'-6 7/8"	B-C2	40'-9"	C-E	13'-1 1/8"	D-H	26'-6 1/2"
A-D	40'-0 1/4"	B-D	46'-6 1/2"	C-F	26'-0 3/4"	D-H1	34'-3 1/2"
A-E	36'-10 3/4"	B-E	37'-0 3/8"	C-G	27'-8 1/8"	D-H2	29'-6"
A-F	31'-3 3/4"	B-F	39'-9 3/8"	C-H	39'-11 3/8"	D-H3	35'-0 5/8"
A-G	20'-3 1/2"	B-G	27'-2 1/8"	C-H1	30'-10 3/8"	D-H4	15'-6 1/8"
A-H	15'-11 3/8"	B-H	33'-10 1/8"	C-H2	34'-10"	D-H5	28'-5 3/4"
A-H1	19'-4 3/8"	B-H1	12'-3 3/4"	C-H3	31'-9"	D-I	31'-10"
A-H2	11'-10 1/8"	B-H2	22'	C-H4	24'-6 1/2"	D-J	36'-8 5/8"
A-H3	18'-10 1/4"	B-H3	11'-7 5/8"	C-H5	17'-8 3/8"	D-K	16'-9 3/4"
A-H4	25'-5 5/8"	B-H4	31'-9 3/8"	C-I	32'-9 1/2"	D-S1	13'-1"
A-H5	31'-7 5/8"	B-H5	22'-5 1/8"	C-J	24'-6 1/8"	D-S2	20'-4 3/8"
A-I	14'-6 3/4"	B-I	16'-6 1/2"	C-K	16'-11 7/8"		
A-J	31'-9 7/8"	B-J	16'-3 3/8"	C-S1	10'-8"		
		B-K	30'-5 5/8"	C-S2	4'-10 7/8"		

**Date:** 5/10/2022

**Perimeter:** 105'-5 5/8"

**Drawn By:** JESSE H

**Area:** 679.1 SQ. FT.

**Scale:** 1/8" = 1'-0"

**Notes:** - - - -



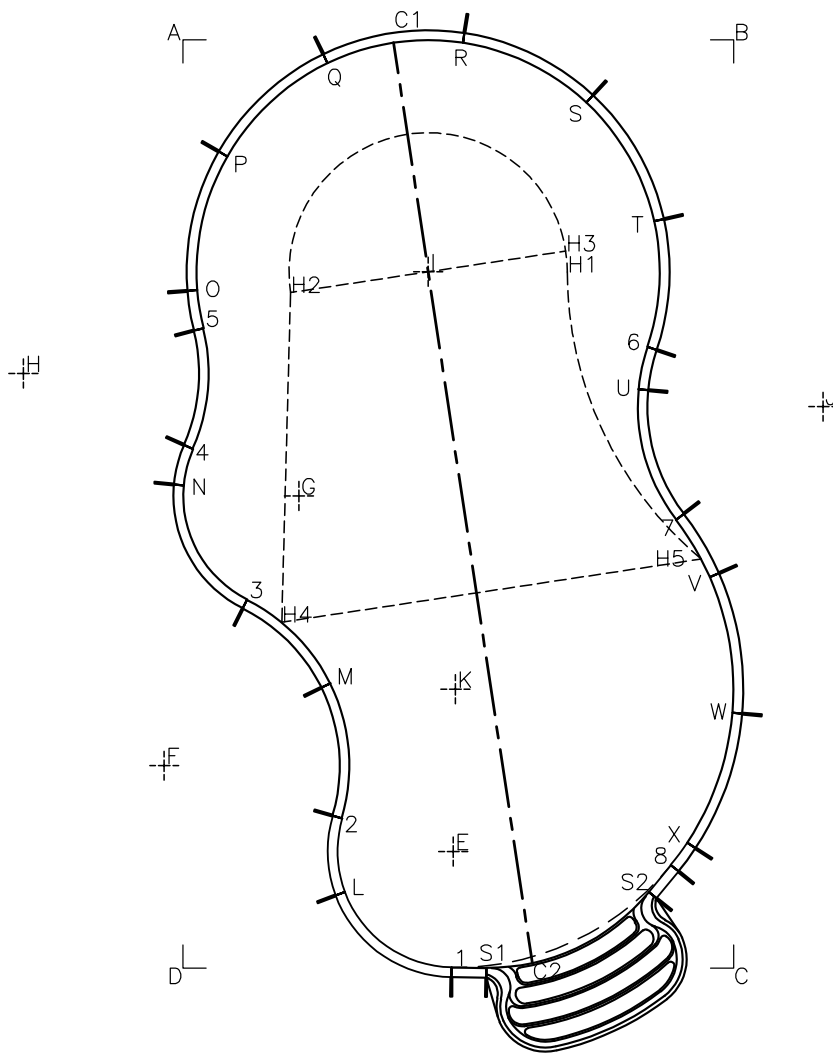
cardinalpools.com

This information is the confidential property of Cardinal Systems, Inc. Disclosure or duplication without proper written approval is strictly prohibited. Acceptance and use of this drawing constitutes knowledge and acceptance by the user of the terms and conditions set forth in the notice and warning which accompanied this drawing is incorporated herein and made part hereof and is found on Cardinal Systems, Inc's website at www.CardinalSystemsInc.com



**Pool Size:** 20' X 40'  
**Pool Shape:** MOUNTAIN POND **Approx Gal:** 24,703  
**Pool Number:** 2040MTPND – (PLASTIC)

250 Route 61 South, Schuylkill Haven, PA 17972 • 570-385-4733 • fax: 570-385-1318 • CustomerService@CardinalSystemsinc.com



**Date:** 5/10/2022

**Perimeter:** 105'-5 5/8"

**Drawn By:** JESSE H

**Area:** 679.1 SQ. FT.

**Scale:** 1/8" = 1'-0"

**Notes:** - - - -



This information is the confidential property of Cardinal Systems, Inc. Disclosure or duplication without proper written approval is strictly prohibited. Acceptance and use of this drawing constitutes knowledge and acceptance by the user of the terms and conditions set forth in the notice and warning which accompanied this drawing is incorporated herein and made part hereof and is found on Cardinal Systems, Inc's website at www.CardinalSystemsInc.com

# LAGOON

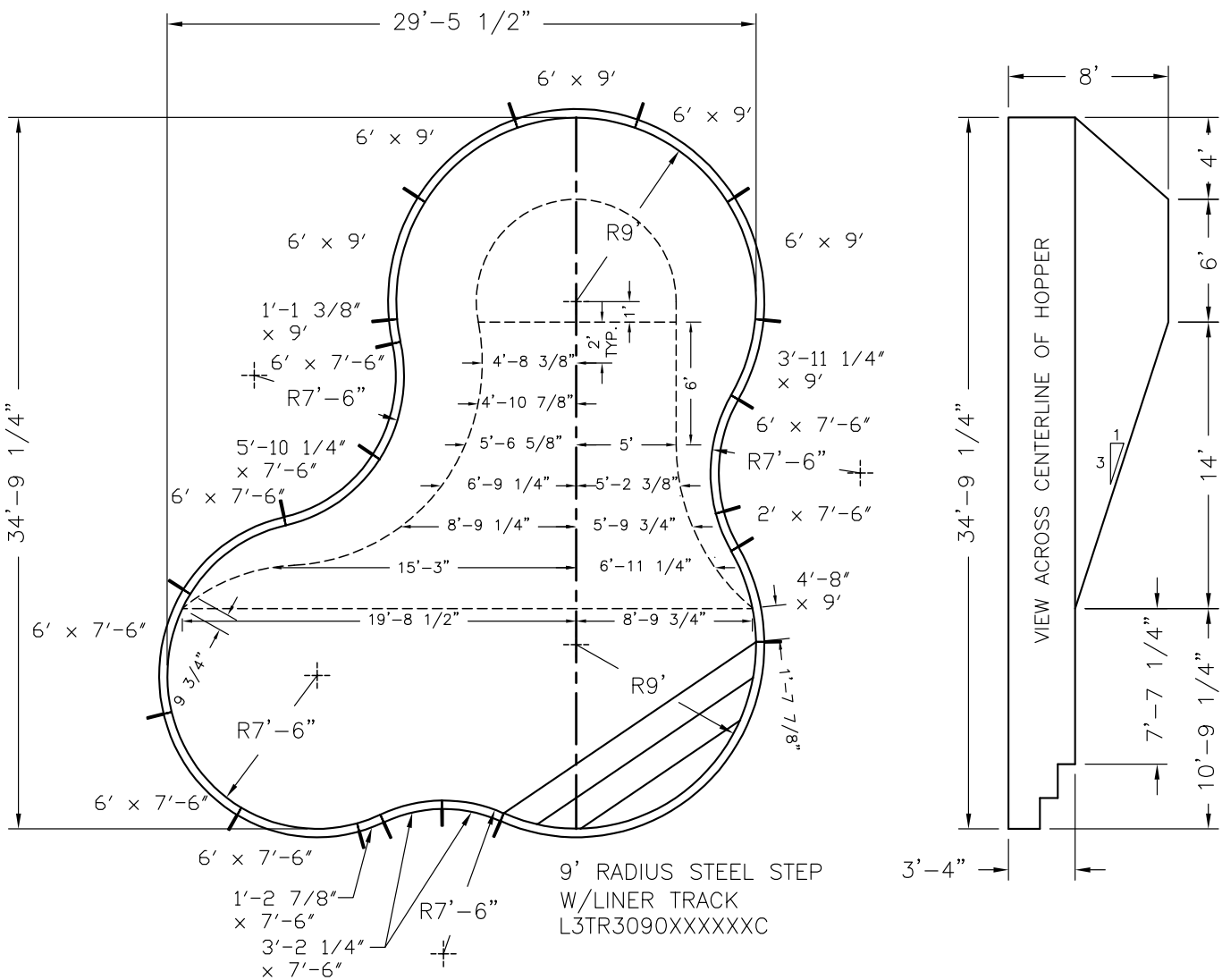


**Pool Size:** 18' X 29' X 35'  
**Pool Shape:** LAGOON **Approx Gal:** 25,481  
**Pool Number:** 182935LA - (STEEL #1)

250 Route 61 South, Schuylkill Haven, PA 17972 • 570-385-4733 • fax: 570-385-1318 • CustomerService@CardinalSystemsInc.com

## Bill of Materials

PART NO.	QUANTITY	DESCRIPTION
"A" FRAME	20	"A" FRAME ASSEMBLY
L3TR3090XXXXXXC	1	9' RADIUS STEEL STEP W/LINER TRACK
5C42113XX09000	1	1'-1 3/8" x 9' Radius C PANEL W/O Z
5C42127XX07600	1	1'-2 7/8" x 7'-6" Radius C PANEL W/O Z
5C423E2XX09000	1	3'-11 1/4" x 9' Radius C PANEL W/O Z
5C42480XX09000	1	4'-8" x 9' Radius C PANEL W/O Z
5C42600XX07600	4	6' x 7'-6" Radius C PANEL W/O Z
5C42600XX09000	5	6' x 9' Radius C PANEL W/O Z
5R42200XX07600	1	2' x 7'-6" Radius R PANEL W/O Z
5R42322XX07600	2	3'-2 1/4" x 7'-6" Radius R PANEL W/O Z
5R42512XX07600	1	5'-10 1/4" x 7'-6" Radius R PANEL W/O Z
5R42600XX07600	2	6' x 7'-6" Radius R PANEL W/O Z



<b>Date:</b> 5/10/2022	<b>Perimeter:</b> 109'-2"	
<b>Drawn By:</b> JESSE H	<b>Area:</b> 700.5 SQ. FT.	
<b>Scale:</b> 1/8" = 1'-0"	<b>Notes:</b> -----	

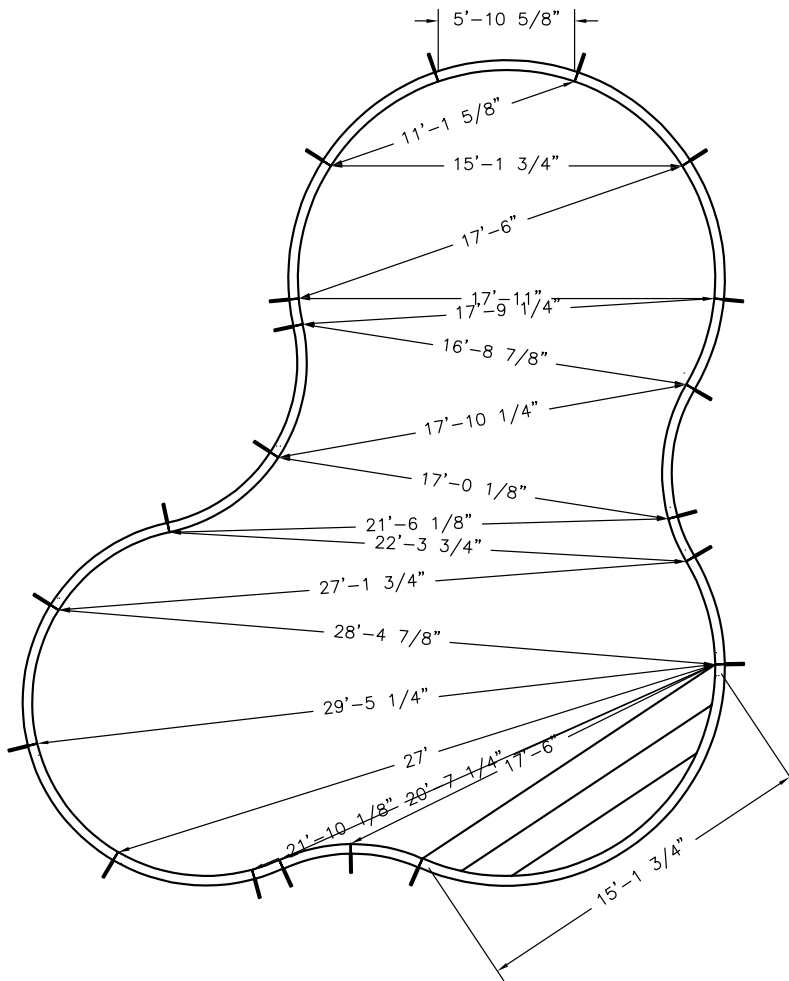
This information is the confidential property of Cardinal Systems, Inc. Disclosure or duplication without proper written approval is strictly prohibited. Acceptance and use of this drawing constitutes knowledge and acceptance by the user of the terms and conditions set forth in the notice and warning which accompanied this drawing is incorporated herein and made part hereof and is found on Cardinal Systems, Inc's website at www.CardinalSystemsInc.com






**Pool Size:** 18' X 29' X 35'  
**Pool Shape:** LAGOON **Approx Gal:** 25,481  
**Pool Number:** 182935LA – (STEEL #1)

250 Route 61 South, Schuylkill Haven, PA 17972 • 570-385-4733 • fax: 570-385-1318 • CustomerService@CardinalSystemsinc.com



<b>Date:</b> 5/10/2022	<b>Perimeter:</b> 109'–2"	 cardinalpools.com
<b>Drawn By:</b> JESSE H	<b>Area:</b> 700.5 SQ. FT.	
<b>Scale:</b> 1/8" = 1'–0"	<b>Notes:</b> -----	

This information is the confidential property of Cardinal Systems, Inc. Disclosure or duplication without proper written approval is strictly prohibited. Acceptance and use of this drawing constitutes knowledge and acceptance by the user of the terms and conditions set forth in the notice and warning which accompanied this drawing is incorporated herein and made part hereof and is found on Cardinal Systems, Inc's website at [www.CardinalSystemsInc.com](http://www.CardinalSystemsInc.com)

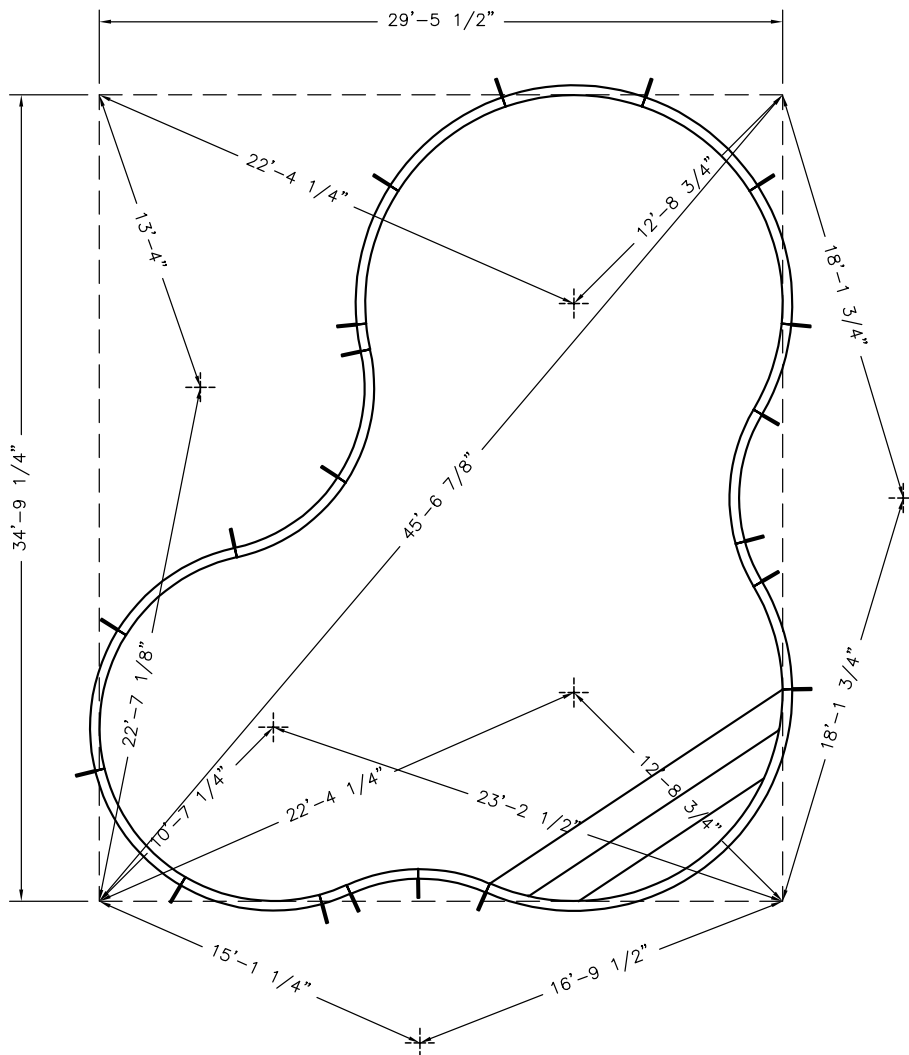


**Pool Size:** 18' X 29' X 35'

**Pool Shape:** LAGOON **Approx Gal:** 25,481

**Pool Number:** 182935LA – (STEEL #1)

250 Route 61 South, Schuylkill Haven, PA 17972 • 570-385-4733 • fax: 570-385-1318 • CustomerService@CardinalSystemsinc.com



**Date:** 5/10/2022

**Drawn By:** JESSE H

**Scale:** 1/8" = 1'-0"

**Perimeter:** 109'-2"

**Area:** 700.5 SQ. FT.

**Notes:** -----



cardinalpools.com



**Pool Size:** 18' X 29' X 35'  
**Pool Shape:** LAGOON **Approx Gal:** 25,481  
**Pool Number:** 182935LA – (STEEL #1)

250 Route 61 South, Schuylkill Haven, PA 17972 • 570-385-4733 • fax: 570-385-1318 • CustomerService@CardinalSystemsinc.com

HOPPER DIG POINTS	G-H	16'-6"	E-H7	14'-7 5/8"	H-H5	11'-11 3/8"	
POINTS	DISTANCE						
E-F	16'-6"	H-I	15'	G-H3	8'-7 1/4"	I-H1	25'-7 3/8"
E-G	16'-9 1/4"	H-J	29'-9 3/4"	G-H4	5'-1 1/4"	I-H2	19'-0 3/4"
E-H	20'-9 5/8"	I-J	15'	G-H5	24'-9 1/4"	I-H3	21'-2 3/8"
E-I	13'-0 1/2"	E-H1	17'-6"	G-H6	17'-4 3/4"	I-H4	24'-11"
E-J	16'-6"	E-H2	16'-6 1/8"	G-H7	19'-1 3/8"	I-H5	7'-6"
F-G	16'-6"	E-H3	10'-11 3/4"	H-H1	21'-4 7/8"	I-H6	22'-0 1/8"
F-H	30'-8 1/4"	E-H4	16'-6 1/2"	H-H2	11'-6"	I-H7	5'-6"
F-I	28'-10 7/8"	E-H5	19'-9 1/2"	H-H3	21'-4 1/2"		
F-J	31'-4 7/8"	E-H6	8'-11 7/8"	H-H4	21'-3 1/8"		

PANEL TO HOPPER POINTS	2-H1	5'-4"	3-H4	13'-9 3/4"	4-H7	2'	
POINTS	DISTANCE						
1-H1	12'-6"	2-H2	13'-1 3/4"	3-H5	17'-0 1/8"	5-H1	29'-1 3/8"
1-H2	16'-10 3/4"	2-H3	3'-8"	3-H6	21'-10 3/4"	5-H2	24'-6 3/4"
1-H3	5'-10 5/8"	2-H4	4'-6 1/8"	3-H7	12'-1 7/8"	5-H3	23'-4 3/8"
1-H4	11'-6 3/8"	2-H5	29'-4 1/2"	4-H1	22'-4 5/8"	5-H4	28'-3 1/8"
1-H5	27'-7 1/4"	2-H6	10'-5 3/4"	4-H2	13'-10 1/8"	5-H5	14'-1 1/2"
1-H6	3'	2-H7	23'-4 3/4"	4-H3	19'-11 1/8"	5-H6	21'-2"
1-H7	21'-10 1/2"	3-H1	13'-11 1/8"	4-H4	21'-11"	5-H7	12'-11"
		3-H2	4'	4-H5	6'-7"		
		3-H3	14'-8 1/8"	4-H6	23'-8 3/8"		

PANEL TO PANEL POINTS	2-K	5'-10 1/8"	3-P	6'-11 1/4"	4-S2	17'-9 5/8"	
POINTS	DISTANCE						
1-C1	22'-6 7/8"	2-L	3'-10 7/8"	3-Q	1'-1 3/8"	4-T	10'-9 1/8"
1-C2	15'-7 5/8"	2-M	9'-5 1/4"	3-R	5'-10 1/8"	4-U	13'-11 3/4"
1-K	1'-11 7/8"	2-N	13'-11 1/4"	3-S	16'-2 1/2"	4-V	14'-11 7/8"
1-L	11'-4 3/4"	2-O	16'-10 3/4"	3-S1	23'-0 5/8"	4-W	15'-6 1/2"
1-M	17'-0 3/4"	2-P	18'	3-S2	23'-7 3/8"	5-C1	35'-5 1/2"
1-N	21'-3"	2-Q	17'-1 3/8"	3-T	21'-5"	5-C2	9'-9 7/8"
1-O	23'-3 5/8"	2-R	17'-10 1/4"	3-U	24'-1 1/2"	5-K	22'-3 3/4"
1-P	22'-11 1/8"	2-S	28'-9 1/8"	3-V	23'-7 5/8"	5-L	30'-7 1/2"
1-Q	20'-2 1/4"	2-S1	12'-1 1/2"	3-W	22'-6"	5-M	34'-7 3/8"
1-R	18'-1 3/4"	2-S2	23'-4 5/8"	4-C1	24'-8"	5-N	35'-11"
1-S	27'-1 3/4"	2-T	31'-11 7/8"	4-C2	20'-9 1/8"	5-O	34'-3 1/4"
1-S1	4'-7 3/8"	2-U	31'-8 7/8"	4-K	21'-6 1/8"	5-P	30'-0 1/4"
1-S2	17'-1 5/8"	2-V	28'-0 7/8"	4-L	25'-6 3/4"	5-Q	24'-2 3/4"
1-T	29'-0 7/8"	2-W	24'-6 1/4"	4-M	27'-2"	5-R	17'-4 3/8"
1-U	27'-6 3/8"	3-C1	14'-0 5/8"	4-N	26'-1 3/4"	5-S	14'-4 5/8"
1-V	22'-11 1/2"	3-C2	25'-4 1/2"	4-O	22'-7 5/8"	5-S1	20'-7 1/4"
1-W	18'-11"	3-K	17'-10 1/4"	4-P	17'-3 1/8"	5-S2	6'-2 1/8"
2-C1	15'-7 5/8"	3-L	17'-9 1/4"	4-Q	11'-6 1/8"	5-T	11'-7"
2-C2	22'-6 7/8"	3-M	17'-8 3/4"	4-R	5'-8 3/8"	5-U	6'-11 1/2"
		3-N	15'-8 5/8"	4-S	5'-10 1/8"	5-V	1'-2 7/8"
		3-O	11'-11 7/8"	4-S1	24'-2 1/2"	5-W	3'-1 7/8"

BOX POINTS	A-J	43'-1 3/4"	B-S1	25'-7 5/8"	D-C1	40'-4 1/8"	
POINTS	DISTANCE						
A-B	29'-5 1/2"	A-S1	39'-0 5/8"	B-S2	36'-3 3/8"	D-C2	20'-5 1/2"
A-C	45'-6 7/8"	A-S2	37'-11 3/8"	C-C1	35'-11"	D-E	22'-4 1/4"
A-C1	20'-5 1/2"	B-C	34'-9 1/4"	C-C2	9'	D-F	38'-9 3/8"
A-C2	40'-4 1/8"	B-C1	9'	C-D	29'-5 1/2"	D-G	32'-10 7/8"
A-D	34'-9 1/4"	B-C2	35'-11"	C-E	12'-8 3/4"	D-H	22'-7 1/8"
A-E	32'-10 7/8"	B-D	45'-6 7/8"	C-F	18'-1 3/4"	D-H1	36'-2 3/4"
A-F	38'-9 3/8"	B-E	27'-3 5/8"	C-G	27'-3 5/8"	D-H2	29'-3"
A-G	22'-4 1/4"	B-F	18'-1 3/4"	C-H	33'-5 7/8"	D-H3	31'-7 5/8"
A-H	13'-4"	B-G	12'-8 3/4"	C-H1	26'-1"	D-H4	35'-6 1/4"
A-H1	27'	B-H	28'-1"	C-H2	28'-4 7/8"	D-H5	10'-9 5/8"
A-H2	18'-6"	B-H1	9'-10 1/8"	C-H3	19'-2 1/4"	D-H6	31'-2 1/4"
A-H3	30'-0 7/8"	B-H2	17'-1 1/2"	C-H4	25'-1 1/8"	D-H7	14'-4 1/4"
A-H4	27'-4 1/4"	B-H3	16'-5 7/8"	C-H5	30'-8"	D-I	10'-7 1/4"
A-H5	24'-0 1/8"	B-H4	10'-9 1/4"	C-H6	10'-9 1/4"	D-J	15'-1 1/4"
A-H6	37'-10 1/4"	B-H5	37'-5"	C-H7	26'-5 1/2"	D-S1	30'-10 1/8"
A-H7	22'-9 1/2"	B-H6	24'	C-I	23'-2 1/2"	D-S2	16'-10 1/4"
A-I	28'-3 3/8"	B-H7	31'-10"	C-J	16'-9 1/2"		
		B-I	35'-0 1/8"	C-S1	9'-1 5/8"		
		B-J	43'-9 1/4"	C-S2	12'-7 3/4"		

**Date:** 5/10/2022

**Perimeter:** 109'-2"

**Drawn By:** JESSE H

**Area:** 700.5 SQ. FT.

**Scale:** 1/8" = 1'-0"

**Notes:** - - - -



cardinalpools.com

This information is the confidential property of Cardinal Systems, Inc. Disclosure or duplication without proper written approval is strictly prohibited. Acceptance and use of this drawing constitutes knowledge and acceptance by the user of the terms and conditions set forth in the notice and warning which accompanied this drawing is incorporated herein and made part hereof and is found on Cardinal Systems, Inc's website at www.CardinalSystemsInc.com

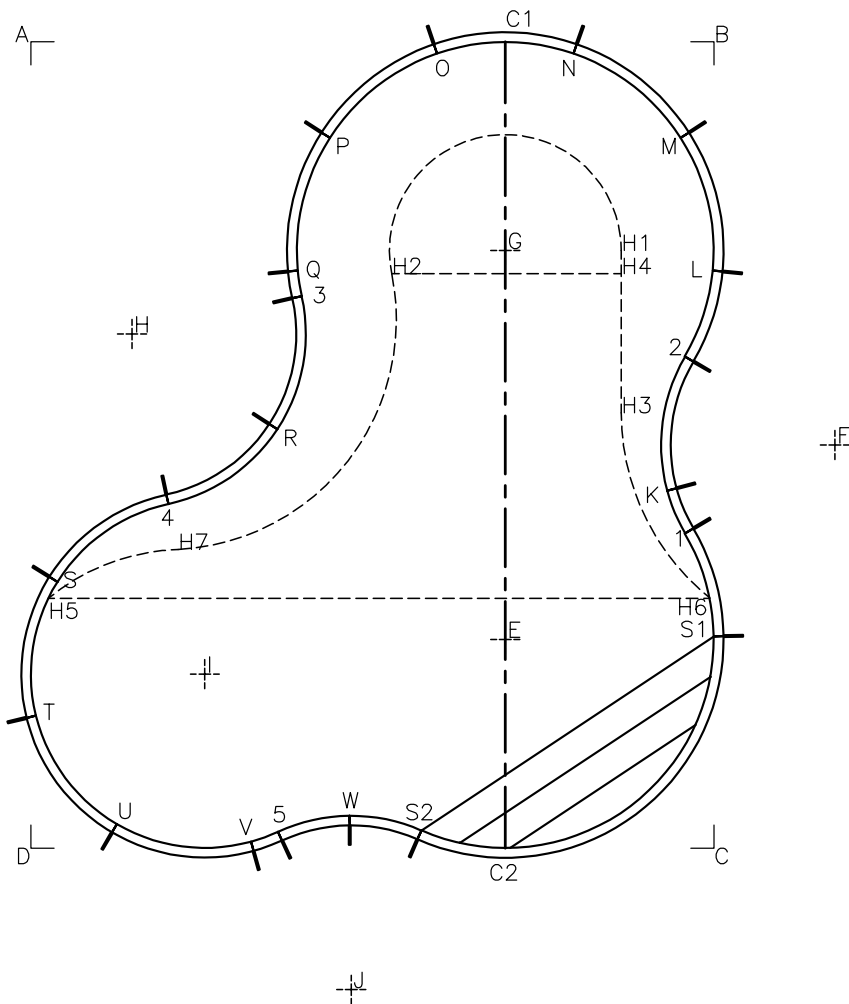



**Pool Size:** 18' X 29' X 35'

**Pool Shape:** LAGOON **Approx Gal:** 25,481

**Pool Number:** 182935LA – (STEEL #1)

250 Route 61 South, Schuylkill Haven, PA 17972 • 570-385-4733 • fax: 570-385-1318 • CustomerService@CardinalSystemsinc.com



<b>Date:</b> 5/10/2022	<b>Perimeter:</b> 109'-2"	 cardinalpools.com
<b>Drawn By:</b> JESSE H	<b>Area:</b> 700.5 SQ. FT.	
<b>Scale:</b> 1/8" = 1'-0"	<b>Notes:</b> -----	

This information is the confidential property of Cardinal Systems, Inc. Disclosure or duplication without proper written approval is strictly prohibited. Acceptance and use of this drawing constitutes knowledge and acceptance by the user of the terms and conditions set forth in the notice and warning which accompanied this drawing is incorporated herein and made part hereof and is found on Cardinal Systems, Inc's website at www.CardinalSystemsInc.com

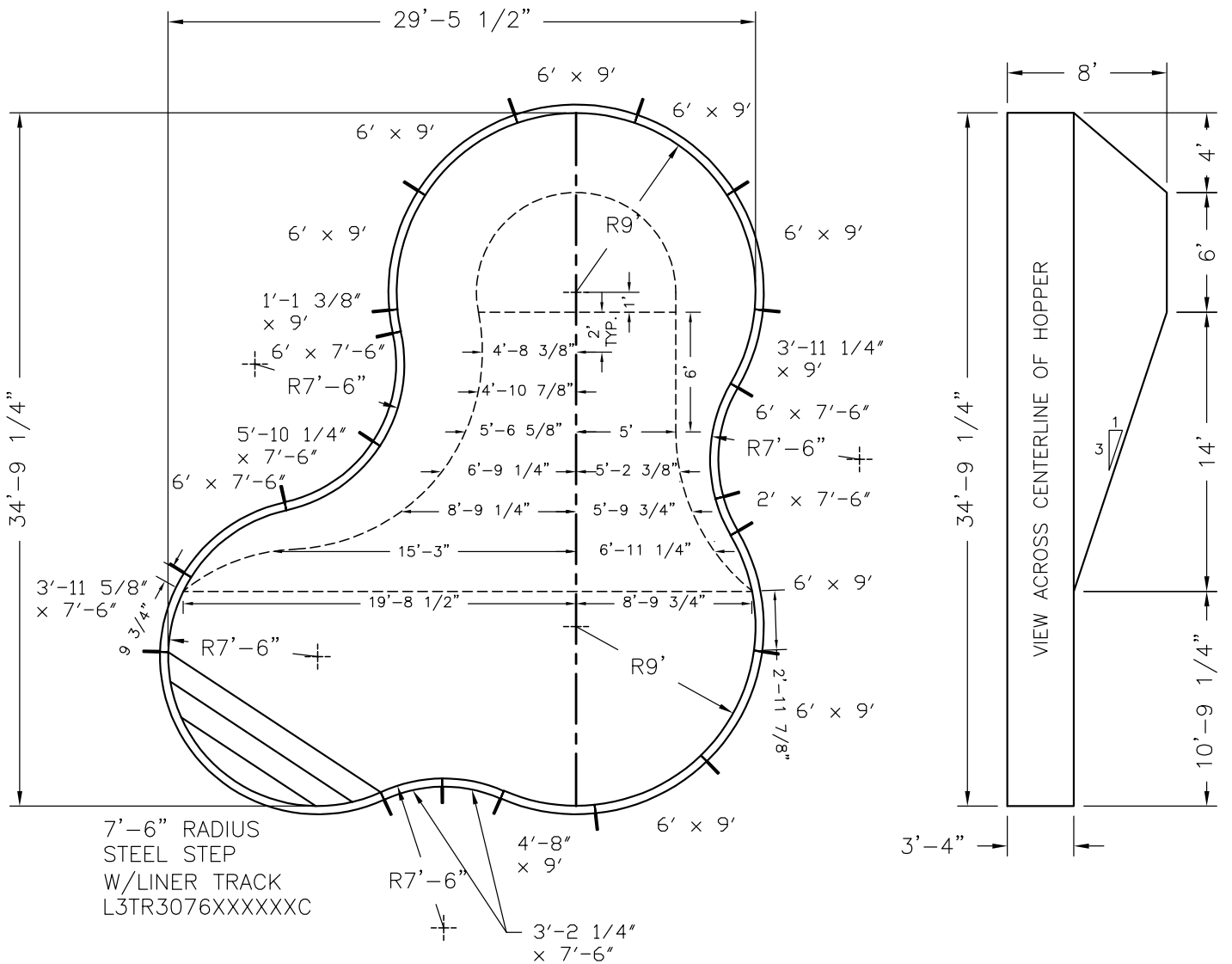


**Pool Size:** 18' X 29' X 35'  
**Pool Shape:** LAGOON **Approx Gal:** 25,481  
**Pool Number:** 182935LA - (STEEL #2)

250 Route 61 South, Schuylkill Haven, PA 17972 • 570-385-4733 • fax: 570-385-1318 • CustomerService@CardinalSystemsinc.com

Bill of Materials

PART NO.	QUANTITY	DESCRIPTION
"A" FRAME	20	"A" FRAME ASSEMBLY
L3TR3076XXXXXXC	1	7'-6" RADIUS STEEL STEP W/LINER TRACK
5C42113XX09000	1	1'-1 3/8" x 9' Radius C PANEL W/O Z
5C423E2XX09000	1	3'-11 1/4" x 9' Radius C PANEL W/O Z
5C423E5XX07600	1	3'-11 5/8" x 7'-6" Radius C PANEL W/O Z
5C42480XX09000	1	4'-8" x 9' Radius C PANEL W/O Z
5C42600XX07600	1	6' x 7'-6" Radius C PANEL W/O Z
5C42600XX09000	8	6' x 9' Radius C PANEL W/O Z
5R42200XX07600	1	2' x 7'-6" Radius R PANEL W/O Z
5R42322XX07600	2	3'-2 1/4" x 7'-6" Radius R PANEL W/O Z
5R425T2XX07600	1	5'-10 1/4" x 7'-6" Radius R PANEL W/O Z
5R42600XX07600	2	6' x 7'-6" Radius R PANEL W/O Z



Date: 5/10/2022

Perimeter: 109'-2"

Drawn By: JESSE H

Area: 700.5 SQ. FT.

Scale: 1/8" = 1'-0"

Notes: - - - -



cardinalpools.com

This information is the confidential property of Cardinal Systems, Inc. Disclosure or duplication without proper written approval is strictly prohibited. Acceptance and use of this drawing constitutes knowledge and acceptance by the user of the terms and conditions set forth in the notice and warning which accompanied this drawing is incorporated herein and made part hereof and is found on Cardinal Systems, Inc's website at www.CardinalSystemsInc.com



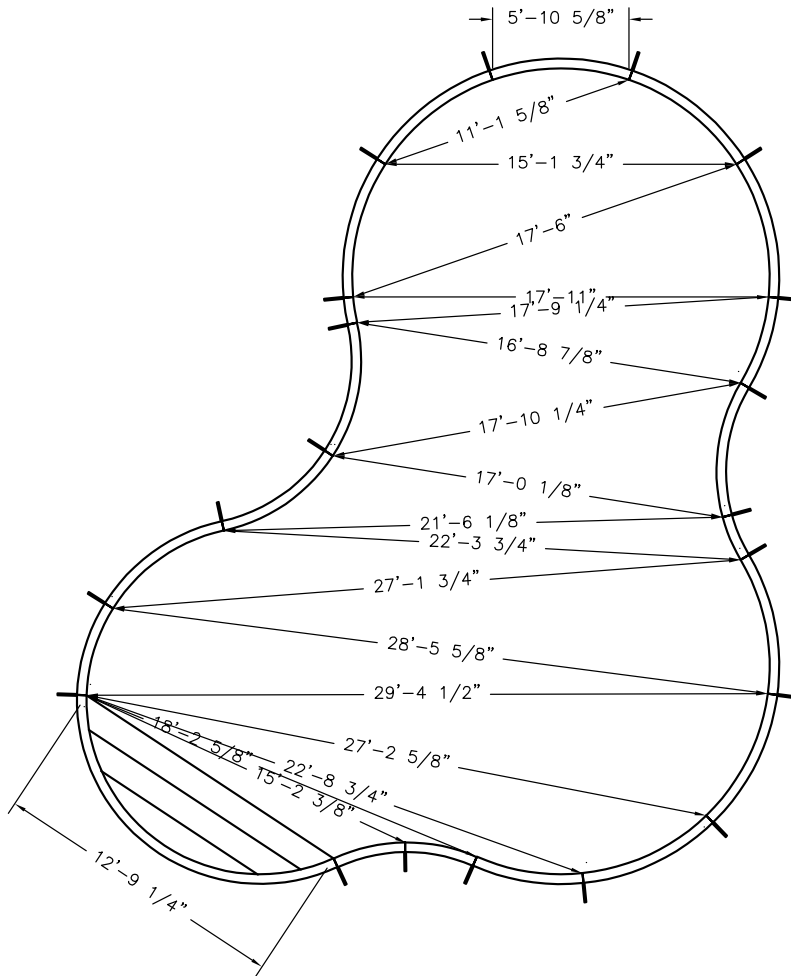
**Pool Size:** 18' X 29' X 35'

**Pool Shape:** LAGOON

**Approx Gal:** 25,481

**Pool Number:** 182935LA – (STEEL #2)

250 Route 61 South, Schuylkill Haven, PA 17972 • 570-385-4733 • fax: 570-385-1318 • CustomerService@CardinalSystemsinc.com



**Date:** 5/10/2022

**Perimeter:** 109'-2"

**Drawn By:** JESSE H

**Area:** 700.5 SQ. FT.

**Scale:** 1/8" = 1'-0"

**Notes:** -----



cardinalpools.com

This information is the confidential property of Cardinal Systems, Inc. Disclosure or duplication without proper written approval is strictly prohibited. Acceptance and use of this drawing constitutes knowledge and acceptance by the user of the terms and conditions set forth in the notice and warning which accompanied this drawing is incorporated herein and made part hereof and is found on Cardinal Systems, Inc's website at www.CardinalSystemsInc.com



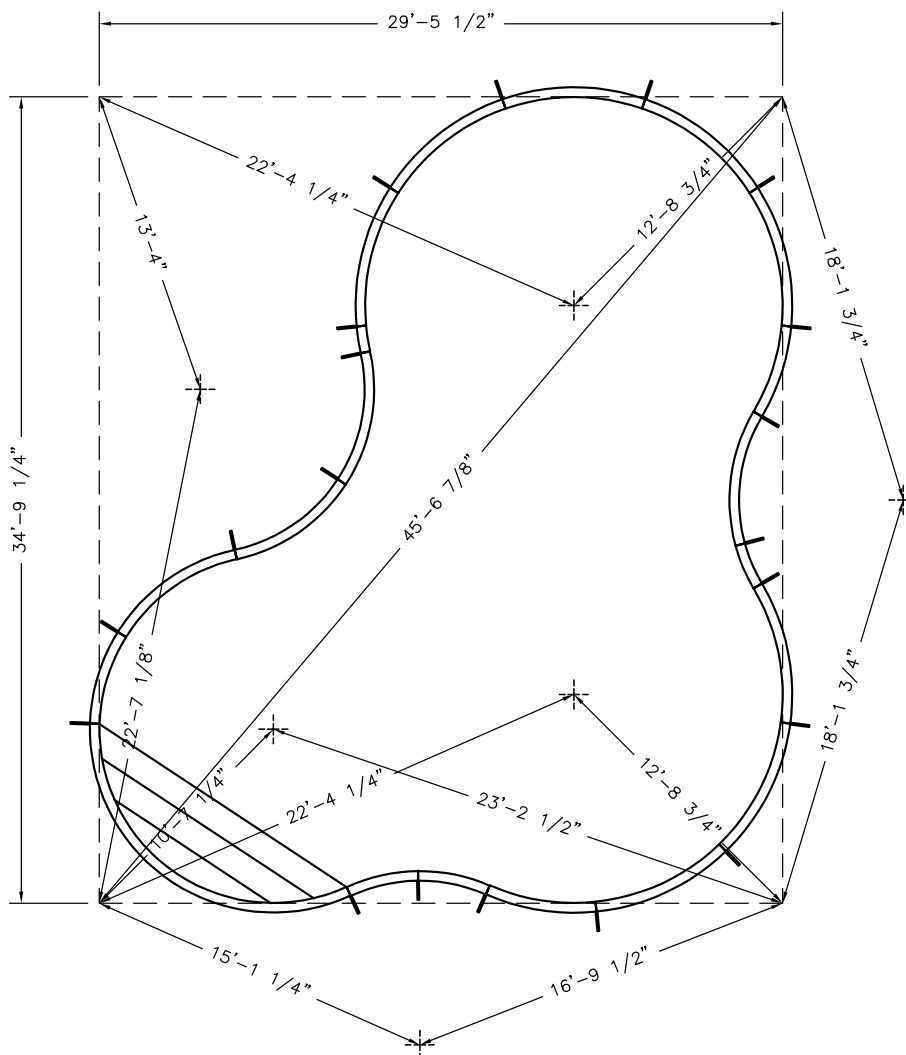
**Pool Size:** 18' X 29' X 35'


**Pool Shape:** LAGOON

**Approx Gal:** 25,481

**Pool Number:** 182935LA – (STEEL #2)

250 Route 61 South, Schuylkill Haven, PA 17972 • 570-385-4733 • fax: 570-385-1318 • CustomerService@CardinalSystemsinc.com



<b>Date:</b> 5/10/2022	<b>Perimeter:</b> 109'–2"	 cardinalpools.com
<b>Drawn By:</b> JESSE H	<b>Area:</b> 700.5 SQ. FT.	
<b>Scale:</b> 1/8" = 1'–0"	<b>Notes:</b> – – – –	

This information is the confidential property of Cardinal Systems, Inc. Disclosure or duplication without proper written approval is strictly prohibited. Acceptance and use of this drawing constitutes knowledge and acceptance by the user of the terms and conditions set forth in the notice and warning which accompanied this drawing is incorporated herein and made part hereof and is found on Cardinal Systems, Inc's website at [www.CardinalSystemsInc.com](http://www.CardinalSystemsInc.com)



**Pool Size:** 18' X 29' X 35'  
**Pool Shape:** LAGOON **Approx Gal:** 25,481  
**Pool Number:** 182935LA – (STEEL #2)

250 Route 61 South, Schuylkill Haven, PA 17972 • 570-385-4733 • fax: 570-385-1318 • CustomerService@CardinalSystemsinc.com

HOPPER DIG POINTS		G-H		F-H7		I-H5	
POINTS	DISTANCE	POINTS	DISTANCE	POINTS	DISTANCE	POINTS	DISTANCE
E-F	16'-6"	G-I	30'-8 1/4"	H-H1	5'	I-H6	27'-4 3/4"
E-G	31'-4 7/8"	G-J	28'-10 7/8"	H-H2	5'	I-H7	9'-6"
E-H	32'-6 3/4"	H-I	16'-6"	H-H3	8'-7 1/4"	J-H1	25'-7 3/8"
E-I	29'-9 3/4"	H-J	22'-4 3/4"	H-H4	5'-1 1/4"	J-H2	19'-0 3/4"
E-J	15'	I-J	15'	H-H5	24'-9 1/4"	J-H3	21'-2 3/8"
F-G	16'-6"	F-H1	17'-6"	H-H6	17'-4 3/4"	J-H4	24'-11"
F-H	16'-9 1/4"	F-H2	16'-6 1/8"	H-H7	19'-1 3/8"	J-H5	7'-6"
F-I	20'-9 5/8"	F-H3	10'-11 3/4"	I-H1	21'-4 7/8"	J-H6	22'-0 1/8"
F-J	13'-0 1/2"	F-H4	16'-6 1/2"	I-H2	11'-6"	J-H7	5'-6"
		F-H5	19'-9 1/2"	I-H3	21'-4 1/2"		
		F-H6	8'-11 7/8"	I-H4	21'-3 1/8"		

PANEL TO HOPPER POINTS		2-H1		3-H4		4-H7	
POINTS	DISTANCE	POINTS	DISTANCE	POINTS	DISTANCE	POINTS	DISTANCE
1-H1	26'-5 1/2"	2-H2	16'-10 3/4"	3-H5	29'-4 1/2"	5-H1	22'-4 5/8"
1-H2	24'-0 1/2"	2-H3	5'-10 5/8"	3-H6	10'-5 3/4"	5-H2	13'-10 1/8"
1-H3	19'-11 5/8"	2-H4	11'-6 3/8"	3-H7	23'-4 3/4"	5-H3	19'-11 1/8"
1-H4	25'-6 1/8"	2-H5	27'-7 1/4"	4-H1	13'-11 1/8"	5-H4	21'-11"
1-H5	18'-11 3/8"	2-H6	3'	4-H2	4'	5-H5	6'-7"
1-H6	15'-11 1/2"	2-H7	21'-10 1/2"	4-H3	14'-8 1/8"	5-H6	23'-8 3/8"
1-H7	16'-0 1/4"	3-H1	5'-4"	4-H4	13'-9 3/4"	5-H7	2'
		3-H2	13'-1 3/4"	4-H5	17'-0 1/8"		
		3-H3	3'-8"	4-H6	21'-10 3/4"		

PANEL TO PANEL POINTS		2-K		3-P		4-S2	
POINTS	DISTANCE	POINTS	DISTANCE	POINTS	DISTANCE	POINTS	DISTANCE
1-C1	34'-2 3/8"	2-L	15'-1 3/4"	3-Q	9'-5 1/4"	4-T	6'-11 1/4"
1-C2	3'-8 3/8"	2-M	11'-1 5/8"	3-R	13'-11 1/4"	4-U	1'-1 3/8"
1-K	3'-1 7/8"	2-N	5'-10 5/8"	3-S	16'-10 3/4"	4-V	5'-10 1/8"
1-L	4'-7 3/8"	2-O	1'-11 7/8"	3-S1	26'-11 7/8"	4-W	16'-2 1/2"
1-M	10'-0 5/8"	2-P	11'-4 3/4"	3-S2	31'-3 1/8"	5-C1	24'-8"
1-N	14'-4 5/8"	2-Q	17'-0 3/4"	3-T	18'	5-C2	20'-9 1/8"
1-O	18'-1"	2-R	21'-3"	3-U	17'-1 3/8"	5-K	15'-6 1/2"
1-P	27'-2 3/4"	2-S	23'-3 5/8"	3-V	17'-10 1/4"	5-L	21'-4 3/4"
1-Q	31'-10 7/8"	2-S1	21'-9 1/4"	3-W	28'-9 1/8"	5-M	24'-1 7/8"
1-R	34'-1 7/8"	2-S2	28'-9 5/8"	4-C1	14'-0 5/8"	5-N	24'-5 3/4"
1-S	33'-6 1/4"	2-T	22'-11 1/8"	4-C2	25'-4 1/2"	5-O	21'-6 1/8"
1-S1	6'-2 1/8"	2-U	20'-2 1/4"	4-K	22'-6"	5-P	25'-6 3/4"
1-S2	18'-2 5/8"	2-V	18'-1 3/4"	4-L	25'-8"	5-Q	27'-2"
1-T	30'-1 5/8"	2-W	27'-1 3/4"	4-M	26'-0 5/8"	5-R	26'-1 3/4"
1-U	24'-8 3/4"	3-C1	15'-7 5/8"	4-N	23'-10 3/8"	5-S	22'-7 5/8"
1-V	18'-4 1/2"	3-C2	22'-6 7/8"	4-O	17'-10 1/4"	5-S1	14'-10 7/8"
1-W	19'	3-K	24'-6 1/4"	4-P	17'-9 1/4"	5-S2	9'-3"
2-C1	22'-6 7/8"	3-L	22'-2 5/8"	4-Q	17'-8 3/4"	5-T	17'-3 1/8"
2-C2	15'-7 5/8"	3-M	18'-8 1/2"	4-R	15'-8 5/8"	5-U	11'-6 1/8"
		3-N	13'-5 3/8"	4-S	11'-11 7/8"	5-V	5'-8 3/8"
		3-O	5'-10 1/8"	4-S1	23'-1 1/2"	5-W	5'-10 1/8"

BOX POINTS		A-J		B-S1		D-C1	
POINTS	DISTANCE	POINTS	DISTANCE	POINTS	DISTANCE	POINTS	DISTANCE
A-B	29'-5 1/2"	A-S1	35'-8 3/8"	B-S2	39'-11 7/8"	D-C2	20'-5 1/2"
A-C	45'-6 7/8"	A-S2	27'-0 1/2"	C-C1	35'-11"	D-E	15'-1 1/4"
A-C1	20'-5 1/2"	B-C	34'-9 1/4"	C-C2	9'	D-F	22'-4 1/4"
A-C2	40'-4 1/8"	B-C1	9'	C-D	29'-5 1/2"	D-G	38'-9 3/8"
A-D	34'-9 1/4"	B-C2	35'-11"	C-E	16'-9 1/2"	D-H	32'-10 7/8"
A-E	43'-1 3/4"	B-D	45'-6 7/8"	C-F	12'-8 3/4"	D-H1	36'-2 3/4"
A-F	32'-10 7/8"	B-E	43'-9 1/4"	C-G	18'-1 3/4"	D-H2	29'-3"
A-G	38'-9 3/8"	B-F	27'-3 5/8"	C-H	27'-3 5/8"	D-H3	31'-7 5/8"
A-H	22'-4 1/4"	B-G	18'-1 3/4"	C-H1	26'-1"	D-H4	35'-6 1/4"
A-H1	27'	B-H	12'-8 3/4"	C-H2	28'-4 7/8"	D-H5	10'-9 5/8"
A-H2	18'-6"	B-H1	9'-10 1/8"	C-H3	19'-2 1/4"	D-H6	31'-2 1/4"
A-H3	30'-0 7/8"	B-H2	17'-1 1/2"	C-H4	25'-1 1/8"	D-H7	14'-4 1/4"
A-H4	27'-4 1/4"	B-H3	16'-5 7/8"	C-H5	30'-8"	D-I	22'-7 1/8"
A-H5	24'-0 1/8"	B-H4	10'-9 1/4"	C-H6	10'-9 1/4"	D-J	10'-7 1/4"
A-H6	37'-10 1/4"	B-H5	37'-5"	C-H7	26'-5 1/2"	D-S1	10'-8 1/8"
A-H7	22'-9 1/2"	B-H6	24'	C-I	33'-5 7/8"	D-S2	7'-8 3/4"
A-I	13'-4"	B-H7	31'-10"	C-J	23'-2 1/2"		
		B-I	28'-1"	C-S1	18'-9 3/4"		
		B-J	35'-0 1/8"	C-S2	30'-5 3/8"		

**Date:** 5/10/2022  
**Drawn By:** JESSE H  
**Scale:** 1/8" = 1'-0"

**Perimeter:** 109'-2"  
**Area:** 700.5 SQ. FT.  
**Notes:** - - - -



This information is the confidential property of Cardinal Systems, Inc. Disclosure or duplication without proper written approval is strictly prohibited. Acceptance and use of this drawing constitutes knowledge and acceptance by the user of the terms and conditions set forth in the notice and warning which accompanied this drawing is incorporated herein and made part hereof and is found on Cardinal Systems, Inc's website at [www.CardinalSystemsInc.com](http://www.CardinalSystemsInc.com)





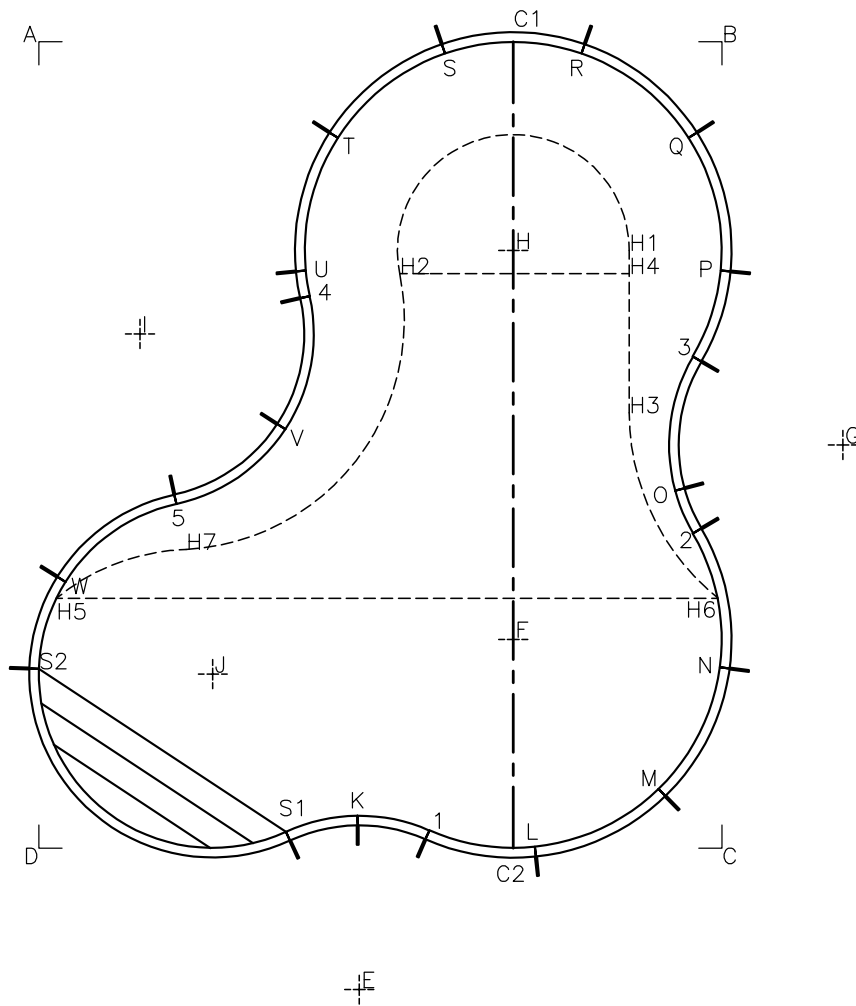
**Pool Size:** 18' X 29' X 35'

**Pool Shape:** LAGOON

**Approx Gal:** 25,481

**Pool Number:** 182935LA – (STEEL #2)

250 Route 61 South, Schuylkill Haven, PA 17972 • 570-385-4733 • fax: 570-385-1318 • CustomerService@CardinalSystemsinc.com



**Date:** 5/10/2022

**Perimeter:** 109'-2"

**Drawn By:** JESSE H

**Area:** 700.5 SQ. FT.

**Scale:** 1/8" = 1'-0"

**Notes:** - - - -



cardinalpools.com

This information is the confidential property of Cardinal Systems, Inc. Disclosure or duplication without proper written approval is strictly prohibited. Acceptance and use of this drawing constitutes knowledge and acceptance by the user of the terms and conditions set forth in the notice and warning which accompanied this drawing is incorporated herein and made part hereof and is found on Cardinal Systems, Inc's website at www.CardinalSystemsInc.com



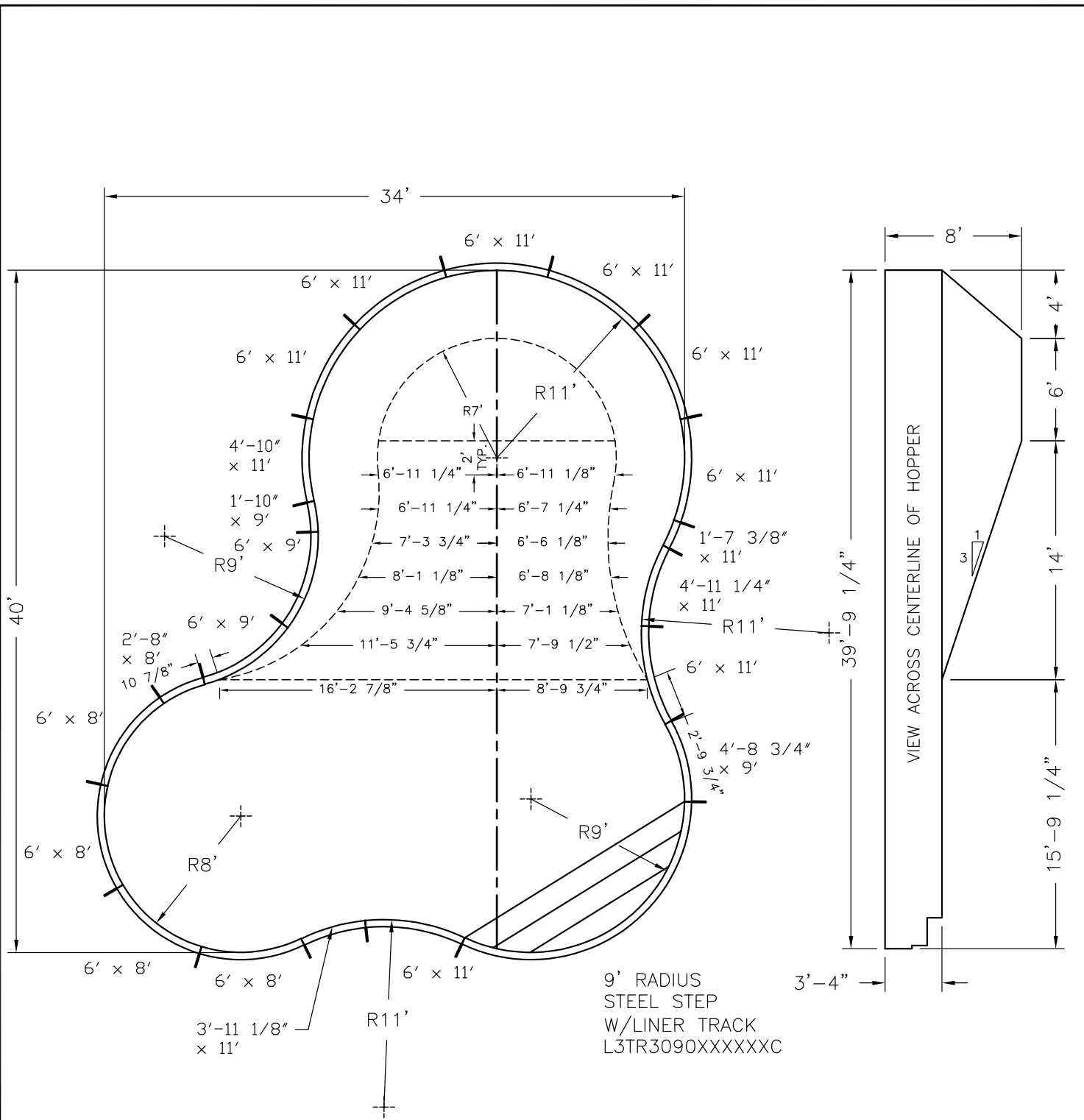
**Pool Size:** 22' X 40' X 34'

**Pool Shape:** LAGOON

**Approx Gal:** 34,186

**Pool Number:** 223440LA – (STEEL #1)

250 Route 61 South, Schuylkill Haven, PA 17972 • 570-385-4733 • fax: 570-385-1318 • CustomerService@CardinalSystemsinc.com



<b>Date:</b> 5/10/2022	<b>Perimeter:</b> 126'-6 1/4"
<b>Drawn By:</b> JESSE H	<b>Area:</b> 939.8 SQ. FT.
<b>Scale:</b> 1/8" = 1'-0"	<b>Notes:</b> -----



This information is the confidential property of Cardinal Systems, Inc. Disclosure or duplication without proper written approval is strictly prohibited. Acceptance and use of this drawing constitutes knowledge and acceptance by the user of the terms and conditions set forth in the notice and warning which accompanied this drawing is incorporated herein and made part hereof and is found on Cardinal Systems, Inc's website at www.CardinalSystemsInc.com




**Pool Size:** 22' X 40' X 34'  
**Pool Shape:** LAGOON **Approx Gal:** 34,186  
**Pool Number:** 223440LA – (STEEL #1)

250 Route 61 South, Schuylkill Haven, PA 17972 • 570-385-4733 • fax: 570-385-1318 • CustomerService@CardinalSystemsinc.com

### Bill of Materials

PART NO.	QUANTITY	DESCRIPTION
"A" FRAME	22	"A" FRAME ASSEMBLY
L3TR3090XXXXXXC	1	9' RADIUS STEEL STEP W/LINER TRACK
5C42173XX11000	1	1'-7 3/8" x 11' Radius C PANEL W/0 Z
5C42280XX08000	1	2'-8" x 8' Radius C PANEL W/0 Z
5C42486XX09000	1	4'-8 3/4" x 9' Radius C PANEL W/0 Z
5C424T0XX11000	1	4'-10" x 11' Radius C PANEL W/0 Z
5C42600XX08000	4	6' x 8' Radius C PANEL W/0 Z
5C42600XX11000	6	6' x 11' Radius C PANEL W/0 Z
5R421T0XX09000	1	1'-10" x 9' Radius R PANEL W/0 Z
5R423E1XX11000	1	3'-11 1/8" x 11' Radius R PANEL W/0 Z
5R424E2XX11000	1	4'-11 1/4" x 11' Radius R PANEL W/0 Z
5R42600XX09000	2	6' x 9' Radius R PANEL W/0 Z
5R42600XX11000	2	6' x 11' Radius R PANEL W/0 Z

<b>Date:</b> 5/10/2022	<b>Perimeter:</b> 126'-6 1/4"	 <small>cardinalpools.com</small>
<b>Drawn By:</b> JESSE H	<b>Area:</b> 939.8 SQ. FT.	
<b>Scale:</b> 1/8" = 1'-0"	<b>Notes:</b> - - - -	

This information is the confidential property of Cardinal Systems, Inc. Disclosure or duplication without proper written approval is strictly prohibited. Acceptance and use of this drawing constitutes knowledge and acceptance by the user of the terms and conditions set forth in the notice and warning which accompanied this drawing is incorporated herein and made part hereof and is found on Cardinal Systems, Inc's website at [www.CardinalSystemsInc.com](http://www.CardinalSystemsInc.com)



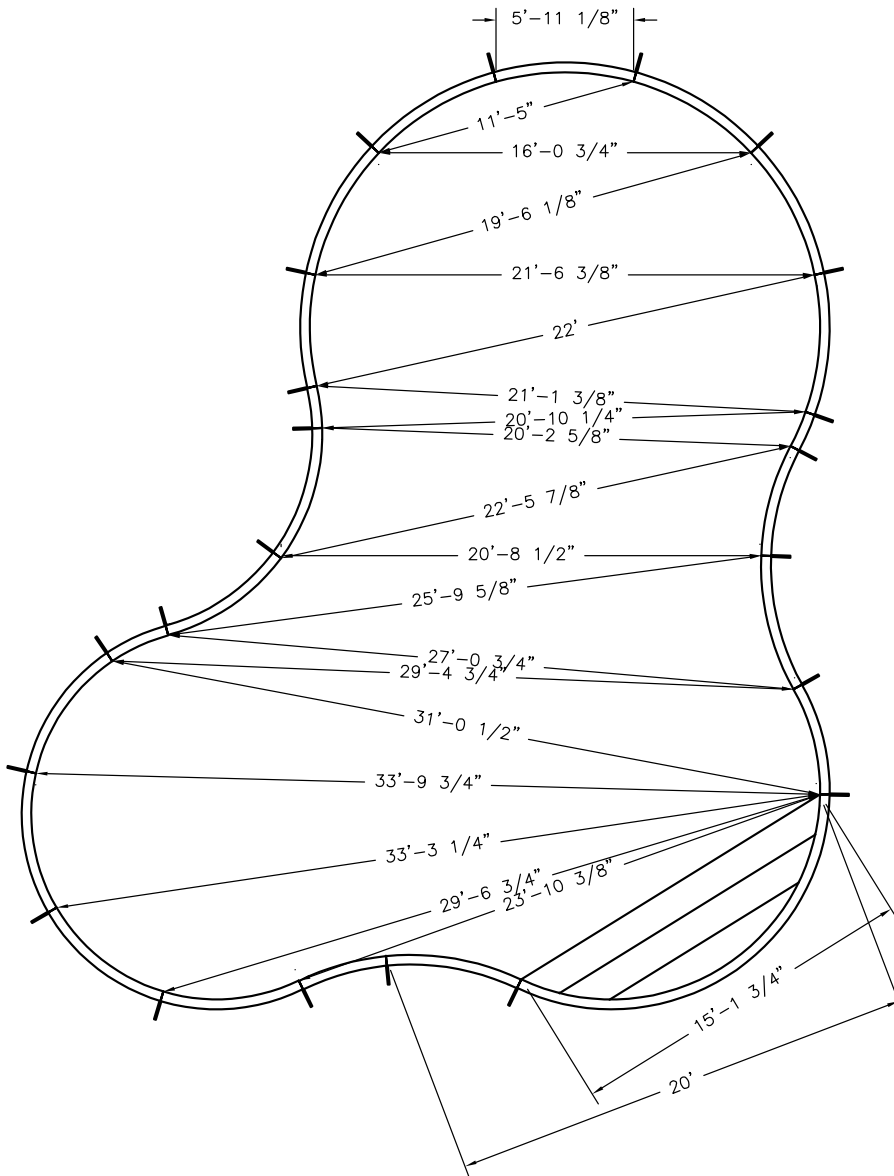
**Pool Size:** 22' X 40' X 34'

**Pool Shape:** LAGOON

**Approx Gal:** 34,186

**Pool Number:** 223440LA – (STEEL #1)

250 Route 61 South, Schuylkill Haven, PA 17972 • 570-385-4733 • fax: 570-385-1318 • CustomerService@CardinalSystemsinc.com



**Date:** 5/10/2022

**Perimeter:** 126'-6 1/4"

**Drawn By:** JESSE H

**Area:** 939.8 SQ. FT.

**Scale:** 1/8" = 1'-0"

**Notes:** -----



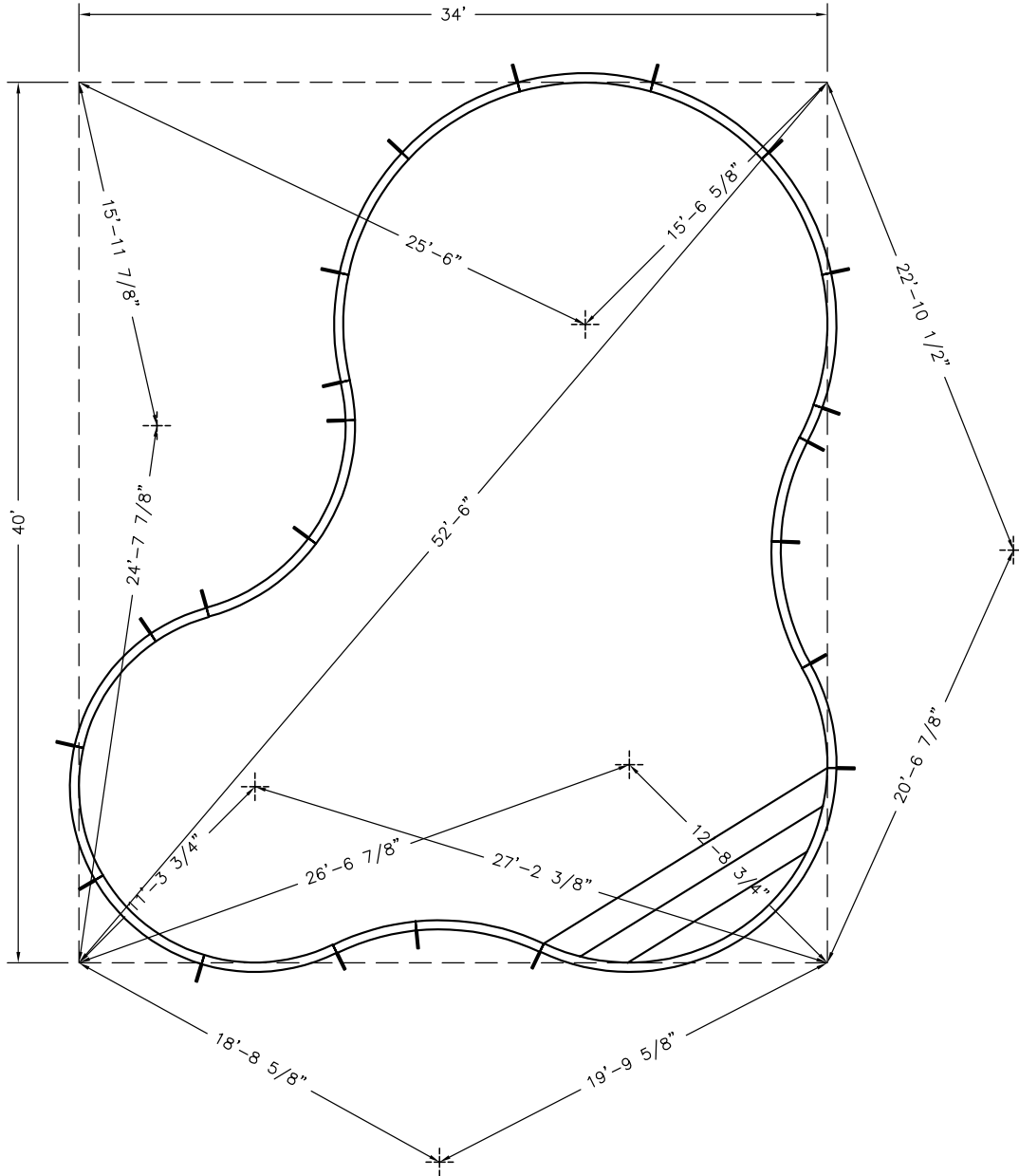
cardinalpools.com


This information is the confidential property of Cardinal Systems, Inc. Disclosure or duplication without proper written approval is strictly prohibited. Acceptance and use of this drawing constitutes knowledge and acceptance by the user of the terms and conditions set forth in the notice and warning which accompanied this drawing is incorporated herein and made part hereof and is found on Cardinal Systems, Inc's website at www.CardinalSystemsInc.com



**Pool Size:** 22' X 40' X 34'  
**Pool Shape:** LAGOON **Approx Gal:** 34,186  
**Pool Number:** 223440LA – (STEEL #1)

250 Route 61 South, Schuylkill Haven, PA 17972 • 570-385-4733 • fax: 570-385-1318 • CustomerService@CardinalSystemsinc.com



<b>Date:</b> 5/10/2022	<b>Perimeter:</b> 126' - 6 1/4"	 cardinalpools.com
<b>Drawn By:</b> JESSE H	<b>Area:</b> 939.8 SQ. FT.	
<b>Scale:</b> 1/8" = 1'-0"	<b>Notes:</b> - - - -	

This information is the confidential property of Cardinal Systems, Inc. Disclosure or duplication without proper written approval is strictly prohibited. Acceptance and use of this drawing constitutes knowledge and acceptance by the user of the terms and conditions set forth in the notice and warning which accompanied this drawing is incorporated herein and made part hereof and is found on Cardinal Systems, Inc's website at www.CardinalSystemsInc.com



**Pool Size:** 22' X 40' X 34'  
**Pool Shape:** LAGOON **Approx Gal:** 34,186  
**Pool Number:** 223440LA - (STEEL #1)


250 Route 61 South, Schuylkill Haven, PA 17972 • 570-385-4733 • fax: 570-385-1318 • CustomerService@CardinalSystemsinc.com

HOPPER DIG POINTS		F-J	38'-1 3/8"	E-H5	19'-6 1/2"	H-H4	26'-11 3/4"
POINTS	DISTANCE	G-H	20'	E-H6	9'-9 1/4"	H-H5	9'
E-F	20'	G-I	25'-9 5/8"	G-H1	7'	H-H6	29'-6"
E-G	20'-1 1/4"	G-J	38'-7 1/2"	G-H2	7'	I-H1	29'-4"
E-H	26'-5"	H-I	17'	G-H3	7'	I-H2	21'-9 3/8"
E-I	17'-0 3/8"	H-J	35'-10"	G-H4	7'	I-H3	23'-5 1/4"
E-J	20'	I-J	19'	G-H5	20'-9 5/8"	I-H4	31'-0 3/4"
F-G	22'	E-H1	19'-2 1/4"	G-H6	15'-8 1/2"	I-H5	8'-1 1/8"
F-H	39'-4"	E-H2	21'-2 3/4"	H-H1	26'-6"	I-H6	25'-1 1/2"
F-I	36'-1 1/4"	E-H3	22'-9 7/8"	H-H2	13'-1"		
		E-H4	21'-6 7/8"	H-H3	13'-8 3/4"		

PANEL TO HOPPER POINTS		2-H1	4'-8 1/4"	3-H4	17'-11 3/4"	5-H1	32'-5"
POINTS	DISTANCE	2-H2	17'-3"	3-H5	11'-10 1/8"	5-H2	27'-9 1/2"
		2-H3	17'-9"	3-H6	22'-1 3/4"	5-H3	29'-6 3/8"
1-H1	14'-5 7/8"	2-H4	6'-8 7/8"	4-H1	26'-8 5/8"	5-H4	34'-5 7/8"
1-H2	22'-5 1/4"	2-H5	27'-1 3/4"	4-H2	16'-1 3/8"	5-H5	15'-10 7/8"
1-H3	23'-7 3/8"	2-H6	7'-11 1/8"	4-H3	17'-6 3/8"	5-H6	25'-4"
1-H4	16'-10 1/2"	3-H1	17'-7 1/8"	4-H4	27'-11 3/8"		
1-H5	26'-2 3/4"	3-H2	4'-1 3/4"	4-H5	10 7/8"		
1-H6	2'-9 3/4"	3-H3	5'-2"	4-H6	25'-11"		

PANEL TO PANEL POINTS		2-L	1'-7 3/8"	3-R	4'-9 1/2"	4-V	8'-3"
POINTS	DISTANCE	2-M	7'-5 1/2"	3-S	1'-10"	4-W	12'-8 3/8"
1-C1	28'-4 5/8"	2-N	12'-9 1/8"	3-S1	27'-11 1/2"	4-X	15'-4 1/2"
1-C2	16'-5 3/8"	2-O	17'-1 3/8"	3-S2	27'-0 7/8"	4-Y	16'-8 1/2"
1-K	5'-11 1/8"	2-P	20'-2 1/2"	3-T	7'-7"	5-C1	40'-9 7/8"
1-L	11'-11 3/4"	2-Q	21'-9 5/8"	3-U	14'-9 1/4"	5-C2	11'-5 7/8"
1-M	17'-10 3/4"	2-R	21'-9 1/2"	3-V	20'-7 1/2"	5-K	27'-1"
1-N	23'-2 1/2"	2-S	20'-2 5/8"	3-W	25'-1 5/8"	5-L	32'-10 1/8"
1-O	27'-1 1/4"	2-S1	15'-0 7/8"	3-X	26'-11 3/8"	5-M	37'-8 3/8"
1-P	29'-2 1/8"	2-S2	25'-9 1/8"	3-Y	24'-9 1/8"	5-N	40'-8 1/8"
1-Q	29'-2 7/8"	2-T	22'-5 7/8"	4-C1	29'-8 3/8"	5-O	41'-4 1/2"
1-R	27'-3 1/2"	2-U	30'-8 1/8"	4-C2	23'-0 7/8"	5-P	39'-8 3/8"
1-S	23'-2 7/8"	2-V	35'-5 5/8"	4-K	25'-9 5/8"	5-Q	35'-10 3/8"
1-S1	4'-8 1/8"	2-W	37'-4 5/8"	4-L	29'-1 3/8"	5-R	30'-5 3/8"
1-S2	17'-1 7/8"	2-X	35'-10 1/8"	4-M	31'-10 7/8"	5-S	23'-10 1/4"
1-T	22'-9 3/4"	2-Y	28'-0 3/4"	4-N	32'-7 1/2"	5-S1	23'-10 3/8"
1-U	29'-4 3/4"	3-C1	17'-3"	4-O	31'-2 1/4"	5-S2	9'-7 1/8"
1-V	32'-10 3/8"	3-C2	28'-4 1/8"	4-P	27'-9"	5-T	18'-2 7/8"
1-W	33'-1 5/8"	3-K	20'-6 3/8"	4-Q	22'-8 1/4"	5-U	15'-11 1/2"
1-X	30'-1 5/8"	3-L	21'-1 3/8"	4-R	16'-9 3/8"	5-V	14'-5 1/4"
1-Y	21'	3-M	22'	4-S	11'-1 5/8"	5-W	10'-10 7/8"
2-C1	18'-10"	3-N	21'-3 1/8"	4-S1	28'-11 1/8"	5-X	5'-10 3/8"
2-C2	25'-6 7/8"	3-O	18'-11 3/8"	4-S2	21'-3 1/8"	5-Y	3'-10 7/8"
2-K	4'-10 3/4"	3-P	15'-2 7/8"	4-T	5'-10 5/8"		
		3-Q	10'-4 3/4"	4-U	2'-7 7/8"		

BOX POINTS		A-J	51'-8 5/8"	B-S1	31'-1 3/4"	D-C1	46'-1 3/4"
POINTS	DISTANCE	A-S1	46'-1 1/4"	B-S2	41'-2 1/4"	D-C2	23'
A-B	34'	A-S2	44'-5 1/2"	C-C1	41'-5 7/8"	D-E	26'-6 7/8"
A-C	52'-6"	B-C	40'	C-C2	11'	D-F	46'-5"
A-C1	23'	B-C1	11'	C-D	34'	D-G	37'-0 1/8"
A-C2	45'-11 3/8"	B-C2	41'-3 1/4"	C-E	12'-8 3/4"	D-H	24'-7 7/8"
A-D	40'	B-D	52'-6"	C-F	20'-6 7/8"	D-H1	40'-7 5/8"
A-E	39'-9 7/8"	B-E	32'-3 3/8"	C-G	31'-0 1/4"	D-H2	32'-5 3/4"
A-F	47'-5 7/8"	B-F	22'-10 1/2"	C-H	39'-0 3/8"	D-H3	34'-0 3/8"
A-G	25'-6"	B-G	15'-6 5/8"	C-H1	27'-10 1/2"	D-H4	42'-4 1/2"
A-H	15'-11 7/8"	B-H	34'-2 3/4"	C-H2	33'-5 5/8"	D-H5	17'-4 3/8"
A-H1	32'-4"	B-H1	13'-1 1/4"	C-H3	34'-11 3/8"	D-H6	35'-7 3/8"
A-H2	19'-10 5/8"	B-H2	21'-5 5/8"	C-H4	30'-3 1/4"	D-I	11'-3 3/4"
A-H3	18'-11 1/8"	B-H3	20'-6 3/8"	C-H5	31'-7 1/8"	D-J	18'-8 5/8"
A-H4	31'-6 5/8"	B-H4	10'-9 5/8"	C-H6	16'-1 3/4"	D-S1	35'-1 5/8"
A-H5	24'-11 1/4"	B-H5	36'-3 5/8"	C-I	27'-2 3/8"	D-S2	21'-1 3/4"
A-H6	39'-10 1/4"	B-H6	24'-1 1/4"	C-J	19'-9 5/8"		
A-I	32'-11 7/8"	B-I	41'-2 3/4"	C-S1	8'-10 1/4"		
		B-J	52'-1 3/8"	C-S2	12'-10 7/8"		

<b>Date:</b> 5/10/2022	<b>Perimeter:</b> 126'-6 1/4"	 cardinalpools.com
<b>Drawn By:</b> JESSE H	<b>Area:</b> 939.8 SQ. FT.	
<b>Scale:</b> 1/8" = 1'-0"	<b>Notes:</b> - - - -	

This information is the confidential property of Cardinal Systems, Inc. Disclosure or duplication without proper written approval is strictly prohibited. Acceptance and use of this drawing constitutes knowledge and acceptance by the user of the terms and conditions set forth in the notice and warning which accompanied this drawing is incorporated herein and made part hereof and is found on Cardinal Systems, Inc's website at www.CardinalSystemsInc.com



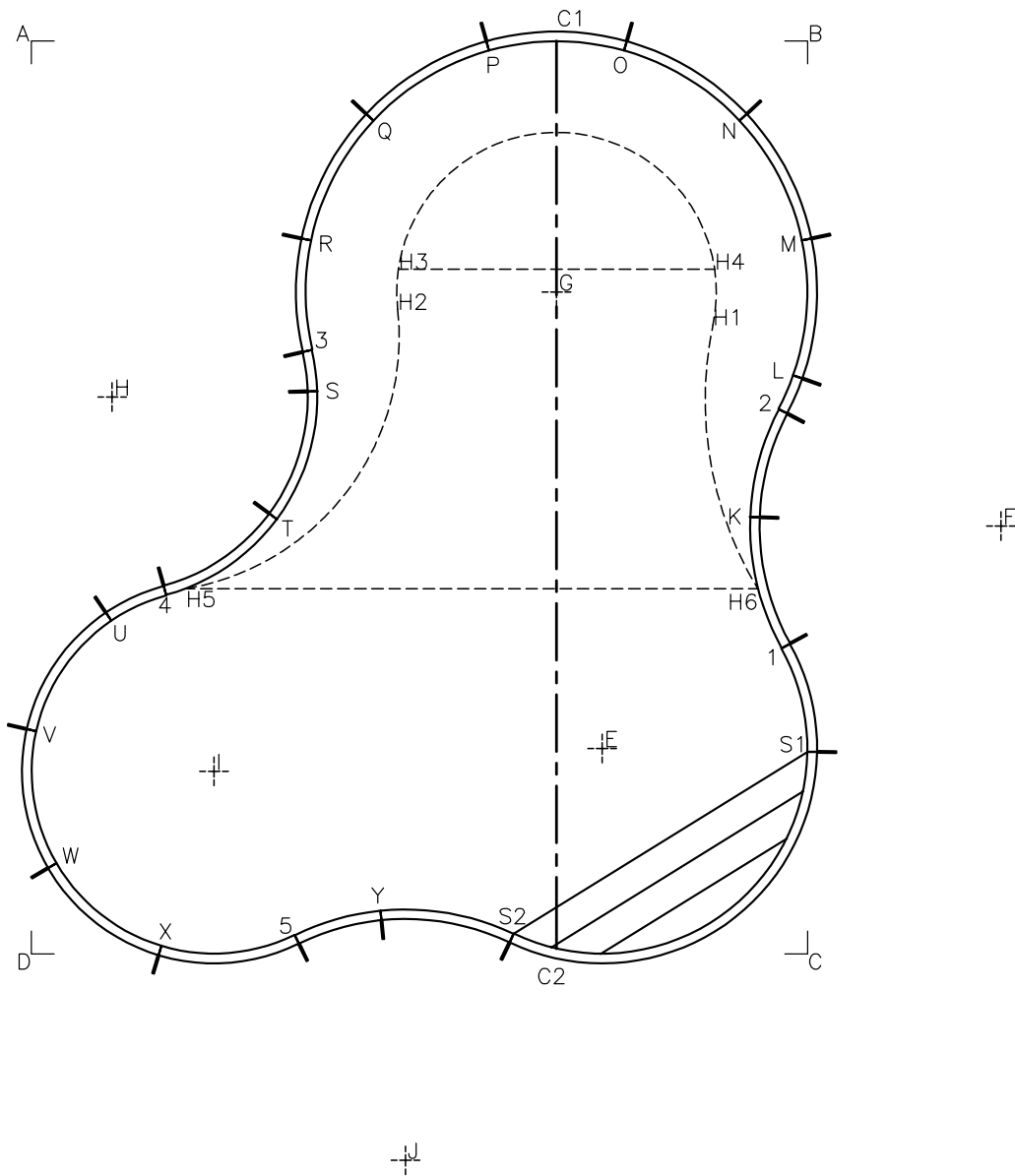
**Pool Size:** 22' X 40' X 34'


**Pool Shape:** LAGOON

**Approx Gal:** 34,186

**Pool Number:** 223440LA – (STEEL #1)

250 Route 61 South, Schuylkill Haven, PA 17972 • 570-385-4733 • fax: 570-385-1318 • CustomerService@CardinalSystemsinc.com



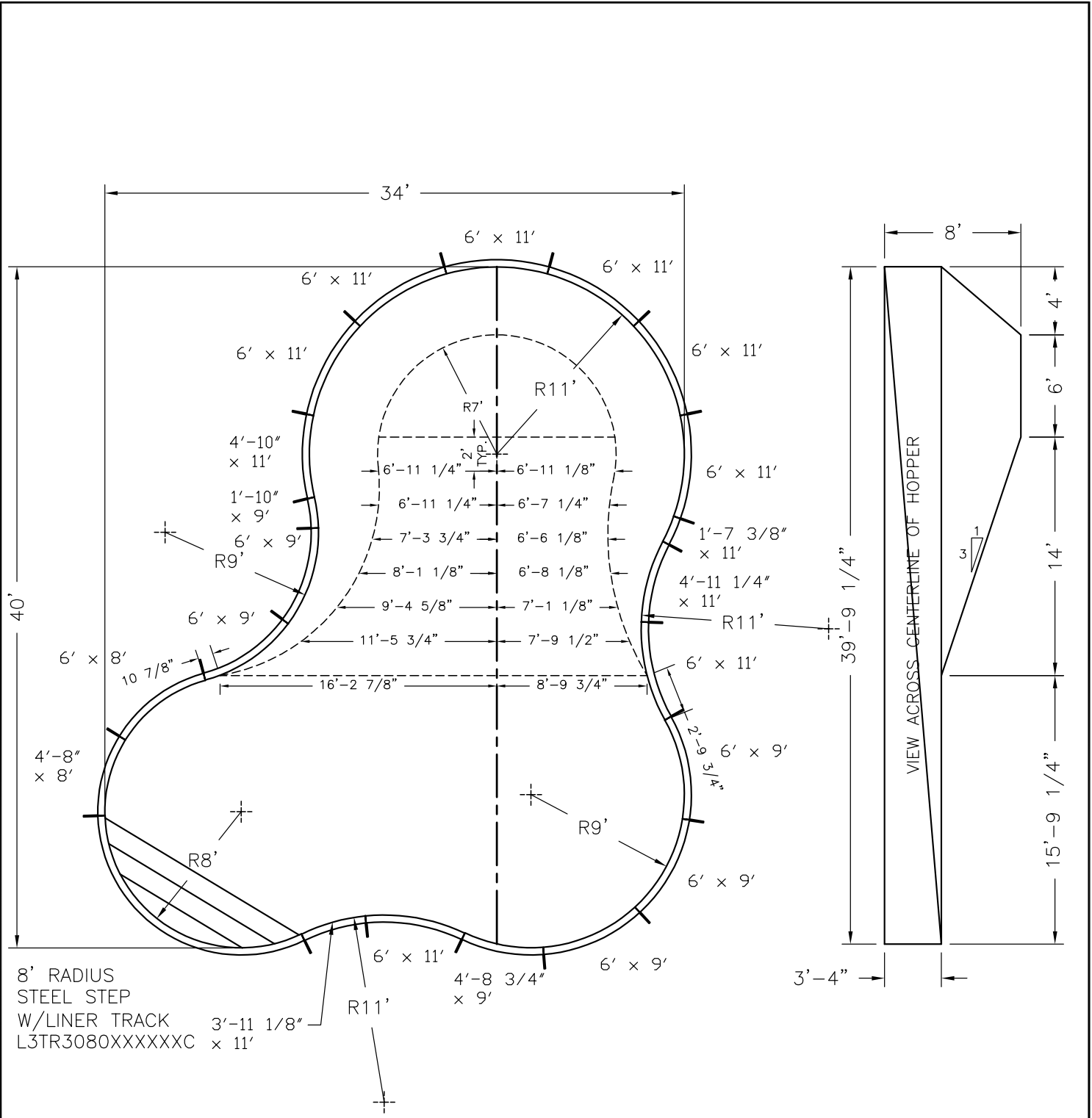
<b>Date:</b> 5/10/2022	<b>Perimeter:</b> 126' - 6 1/4"	 cardinalpools.com
<b>Drawn By:</b> JESSE H	<b>Area:</b> 939.8 SQ. FT.	
<b>Scale:</b> 1/8" = 1'-0"	<b>Notes:</b> - - - -	

This information is the confidential property of Cardinal Systems, Inc. Disclosure or duplication without proper written approval is strictly prohibited. Acceptance and use of this drawing constitutes knowledge and acceptance by the user of the terms and conditions set forth in the notice and warning which accompanied this drawing is incorporated herein and made part hereof and is found on Cardinal Systems, Inc's website at [www.CardinalSystemsInc.com](http://www.CardinalSystemsInc.com)




**Pool Size:** 22' X 40' X 34'  
**Pool Shape:** LAGOON **Approx Gal:** 34,146  
**Pool Number:** 223440LA – (STEEL #2)

250 Route 61 South, Schuylkill Haven, PA 17972 • 570-385-4733 • fax: 570-385-1318 • CustomerService@CardinalSystemsinc.com



8' RADIUS  
 STEEL STEP  
 W/LINER TRACK  
 L3TR3080XXXXXC  
 3'-11 1/8" x 11'

<b>Date:</b> 5/10/2022	<b>Perimeter:</b> 126'-6 1/4"	 cardinalpools.com
<b>Drawn By:</b> JESSE H	<b>Area:</b> 939.8 SQ. FT.	
<b>Scale:</b> 1/8" = 1'-0"	<b>Notes:</b> -----	

This information is the confidential property of Cardinal Systems, Inc. Disclosure or duplication without proper written approval is strictly prohibited. Acceptance and use of this drawing constitutes knowledge and acceptance by the user of the terms and conditions set forth in the notice and warning which accompanied this drawing is incorporated herein and made part hereof and is found on Cardinal Systems, Inc's website at www.CardinalSystemsInc.com






**Pool Size:** 22' X 40' X 34'  
**Pool Shape:** LAGOON      **Approx Gal:** 34,146  
**Pool Number:** 223440LA – (STEEL #2)

250 Route 61 South, Schuylkill Haven, PA 17972 • 570-385-4733 • fax: 570-385-1318 • CustomerService@CardinalSystemsinc.com

Bill of Materials

PART NO.	QUANTITY	DESCRIPTION
"A" FRAME	22	"A" FRAME ASSEMBLY
L3TR3080XXXXXXC	1	8' RADIUS STEEL STEP W/LINER TRACK
5C42173XX11000	1	1'-7 3/8" x 11' Radius C PANEL W/0 Z
5C42480XX08000	1	4'-8" x 8' Radius C PANEL W/0 Z
5C42486XX09000	1	4'-8 3/4" x 9' Radius C PANEL W/0 Z
5C424T0XX11000	1	4'-10" x 11' Radius C PANEL W/0 Z
5C42600XX08000	1	6' x 8' Radius C PANEL W/0 Z
5C42600XX09000	3	6' x 9' Radius C PANEL W/0 Z
5C42600XX11000	6	6' x 11' Radius C PANEL W/0 Z
5R421T0XX09000	1	1'-10" x 9' Radius R PANEL W/0 Z
5R423E1XX11000	1	3'-11 1/8" x 11' Radius R PANEL W/0 Z
5R424E2XX11000	1	4'-11 1/4" x 11' Radius R PANEL W/0 Z
5R42600XX09000	2	6' x 9' Radius R PANEL W/0 Z
5R42600XX11000	2	6' x 11' Radius R PANEL W/0 Z

<b>Date:</b> 5/10/2022	<b>Perimeter:</b> 126'-6 1/4"	 <small>cardinalpools.com</small>
<b>Drawn By:</b> JESSE H	<b>Area:</b> 939.8 SQ. FT.	
<b>Scale:</b> 1/8" = 1'-0"	<b>Notes:</b> - - - -	

This information is the confidential property of Cardinal Systems, Inc. Disclosure or duplication without proper written approval is strictly prohibited. Acceptance and use of this drawing constitutes knowledge and acceptance by the user of the terms and conditions set forth in the notice and warning which accompanied this drawing is incorporated herein and made part hereof and is found on Cardinal Systems, Inc's website at [www.CardinalSystemsInc.com](http://www.CardinalSystemsInc.com)



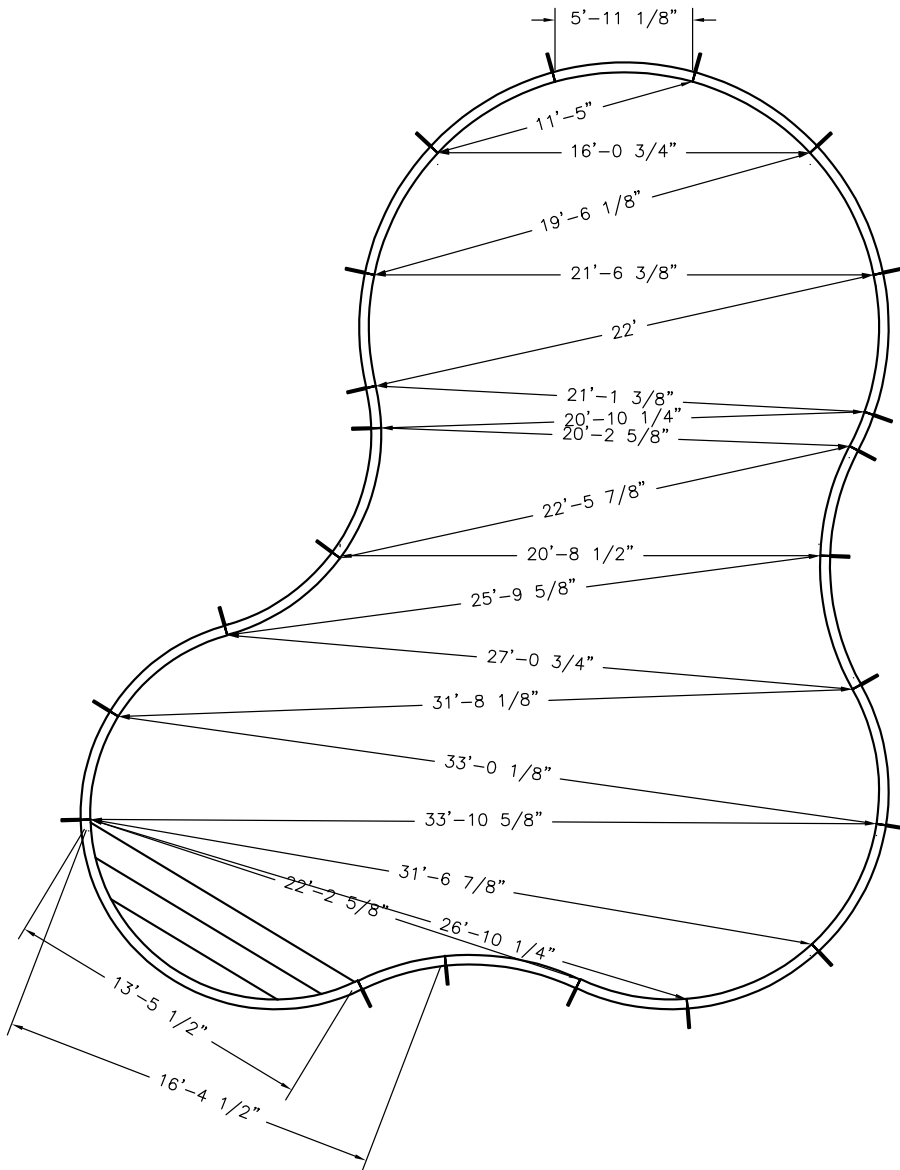
**Pool Size:** 22' X 40' X 34'

**Pool Shape:** LAGOON

**Approx Gal:** 34,146

**Pool Number:** 223440LA - (STEEL #2)

250 Route 61 South, Schuylkill Haven, PA 17972 • 570-385-4733 • fax: 570-385-1318 • CustomerService@CardinalSystemsinc.com



**Date:** 5/10/2022

**Perimeter:** 126'-6 1/4"

**Drawn By:** JESSE H

**Area:** 939.8 SQ. FT.

**Scale:** 1/8" = 1'-0"

**Notes:** -----



cardinalpools.com

This information is the confidential property of Cardinal Systems, Inc. Disclosure or duplication without proper written approval is strictly prohibited. Acceptance and use of this drawing constitutes knowledge and acceptance by the user of the terms and conditions set forth in the notice and warning which accompanied this drawing is incorporated herein and made part hereof and is found on Cardinal Systems, Inc's website at www.CardinalSystemsInc.com



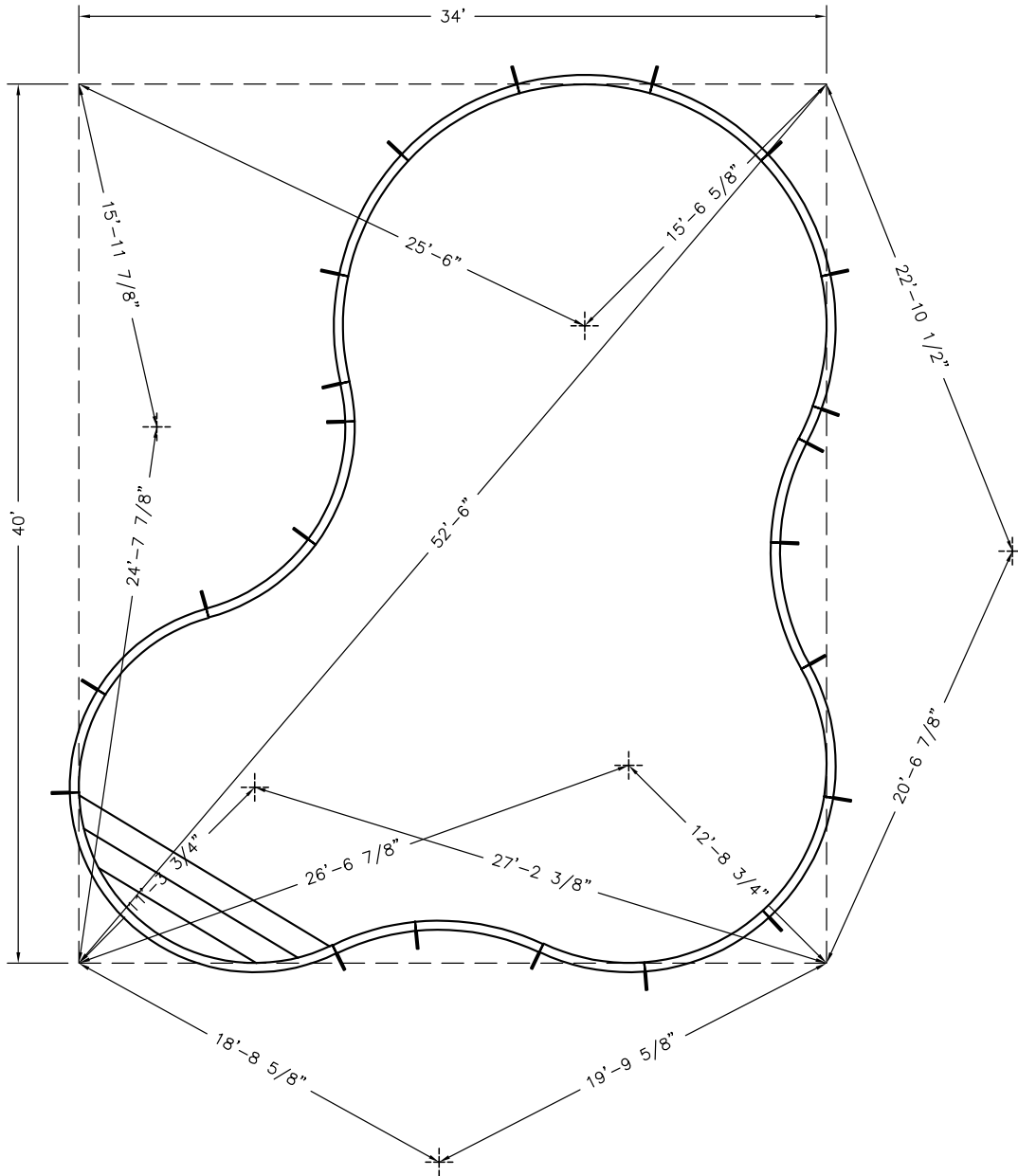
**Pool Size:** 22' X 40' X 34'


**Pool Shape:** LAGOON

**Approx Gal:** 34,146

**Pool Number:** 223440LA – (STEEL #2)

250 Route 61 South, Schuylkill Haven, PA 17972 • 570-385-4733 • fax: 570-385-1318 • CustomerService@CardinalSystemsinc.com



<b>Date:</b> 5/10/2022	<b>Perimeter:</b> 126'-6 1/4"	 cardinalpools.com
<b>Drawn By:</b> JESSE H	<b>Area:</b> 939.8 SQ. FT.	
<b>Scale:</b> 1/8" = 1'-0"	<b>Notes:</b> - - - -	

This information is the confidential property of Cardinal Systems, Inc. Disclosure or duplication without proper written approval is strictly prohibited. Acceptance and use of this drawing constitutes knowledge and acceptance by the user of the terms and conditions set forth in the notice and warning which accompanied this drawing is incorporated herein and made part hereof and is found on Cardinal Systems, Inc's website at [www.CardinalSystemsInc.com](http://www.CardinalSystemsInc.com)



**Pool Size:** 22' X 40' X 34'  
**Pool Shape:** LAGOON **Approx Gal:** 34,146  
**Pool Number:** 223440LA - (STEEL #2)


250 Route 61 South, Schuylkill Haven, PA 17972 • 570-385-4733 • fax: 570-385-1318 • CustomerService@CardinalSystemsinc.com

HOPPER DIG POINTS		F-J	35'-10"	E-H5	8'-1 1/8"	G-H4	7'
POINTS	DISTANCE	G-H	22'	E-H6	25'-1 1/2"	G-H5	20'-9 5/8"
E-F	17'	G-I	20'-1 1/4"	F-H1	26'-6"	G-H6	15'-8 1/2"
E-G	25'-9 5/8"	G-J	38'-7 1/2"	F-H2	13'-1"	I-H1	19'-2 1/4"
E-H	36'-1 1/4"	H-I	20'	F-H3	13'-8 3/4"	I-H2	21'-2 3/4"
E-I	17'-0 3/8"	H-J	38'-1 3/8"	F-H4	26'-11 3/4"	I-H3	22'-9 7/8"
E-J	19'	I-J	20'	F-H5	9'	I-H4	21'-6 7/8"
F-G	20'	E-H1	29'-4"	F-H6	29'-6"	I-H5	19'-6 1/2"
F-H	39'-4"	E-H2	21'-9 3/8"	G-H1	7'	I-H6	9'-9 1/4"
F-I	26'-5"	E-H3	23'-5 1/4"	G-H2	7'		
		E-H4	31'-0 3/4"	G-H3	7'		

PANEL TO HOPPER POINTS		2-H1	17'-7 1/8"	3-H4	6'-8 7/8"	5-H1	28'-0 7/8"
POINTS	DISTANCE	2-H2	4'-1 3/4"	3-H5	27'-1 3/4"	5-H2	27'-10"
1-H1	26'-8 5/8"	2-H3	5'-2"	3-H6	7'-11 1/8"	5-H3	29'-6 5/8"
1-H2	16'-1 3/8"	2-H4	17'-11 3/4"	4-H1	14'-5 7/8"	5-H4	30'-5 1/8"
1-H3	17'-6 3/8"	2-H5	11'-10 1/8"	4-H2	22'-5 1/4"	5-H5	20'-10 1/4"
1-H4	27'-11 3/8"	2-H6	22'-1 3/4"	4-H3	23'-7 3/8"	5-H6	18'-6 1/4"
1-H5	10 7/8"	3-H1	4'-8 1/4"	4-H4	16'-10 1/2"		
1-H6	25'-11"	3-H2	17'-3"	4-H5	26'-2 3/4"		
		3-H3	17'-9"	4-H6	2'-9 3/4"		

PANEL TO PANEL POINTS		2-L	7'-7"	3-R	12'-9 1/8"	4-V	5'-10 3/4"
POINTS	DISTANCE	2-M	1'-10"	3-S	7'-5 1/2"	4-W	11'-1 5/8"
1-C1	29'-8 3/8"	2-N	4'-9 1/2"	3-S1	36'-5 5/8"	4-X	15'-1 3/4"
1-C2	23'-0 7/8"	2-O	10'-4 3/4"	3-S2	31'-3 7/8"	4-Y	21'
1-K	5'-10 3/8"	2-P	15'-2 7/8"	3-T	1'-7 3/8"	5-C1	39'-2"
1-L	5'-10 5/8"	2-Q	18'-11 3/8"	3-U	4'-10 3/4"	5-C2	1'-11 7/8"
1-M	11'-1 5/8"	2-R	21'-3 1/8"	3-V	16'-4"	5-K	22'-11 1/8"
1-N	16'-9 3/8"	2-S	22'	3-W	21'-6 1/2"	5-L	20'-10 7/8"
1-O	22'-8 1/4"	2-S1	22'-4 1/2"	3-X	24'-10 1/4"	5-M	25'-3 3/8"
1-P	27'-9"	2-S2	25'-8"	3-Y	28'-0 3/4"	5-N	31'-7 7/8"
1-Q	31'-2 1/4"	2-T	21'-1 3/8"	4-C1	28'-4 5/8"	5-O	36'-2"
1-R	32'-7 1/2"	2-U	20'-6 3/8"	4-C2	16'-5 3/8"	5-P	38'-8 3/4"
1-S	31'-10 7/8"	2-V	28'-8 1/4"	4-K	31'-8 1/8"	5-Q	39'-0 1/4"
1-S1	9'-10 3/4"	2-W	30'-6 3/4"	4-L	22'-9 3/4"	5-R	36'-11 7/8"
1-S2	15'-11 1/8"	2-X	29'-7 7/8"	4-M	23'-2 7/8"	5-S	32'-10 7/8"
1-T	29'-1 3/8"	2-Y	24'-9 1/8"	4-N	27'-3 1/2"	5-S1	22'-2 5/8"
1-U	25'-9 5/8"	3-C1	18'-10"	4-O	29'-2 7/8"	5-S2	9'-7 1/8"
1-V	29'-1 3/4"	3-C2	25'-6 7/8"	4-P	29'-2 1/8"	5-T	27'-4 3/8"
1-W	28'-6 1/4"	3-K	33'-7 3/8"	4-Q	27'-1 1/4"	5-U	21'
1-X	25'-3 3/8"	3-L	22'-5 7/8"	4-R	23'-2 1/2"	5-V	14'-5"
1-Y	16'-8 1/2"	3-M	20'-2 5/8"	4-S	17'-10 3/4"	5-W	10'-1 1/4"
2-C1	17'-3"	3-N	21'-9 1/2"	4-S1	33'-4"	5-X	4'-8 1/8"
2-C2	28'-4 1/8"	3-O	21'-9 5/8"	4-S2	24'-9"	5-Y	5'-11 1/8"
2-K	18'-0 3/4"	3-P	20'-2 1/2"	4-T	11'-11 3/4"		
		3-Q	17'-1 3/8"	4-U	5'-11 1/8"		

BOX POINTS		A-J	51'-8 5/8"	B-S1	46'-10 1/8"	D-C1	46'-1 3/4"
POINTS	DISTANCE	A-S1	32'-2 5/8"	B-S2	45'-2"	D-C2	23'
A-B	34'	A-S2	40'-10 1/8"	C-C1	41'-5 7/8"	D-E	11'-3 3/4"
A-C	52'-6"	B-C	40'	C-C2	11'	D-F	24'-7 7/8"
A-C1	23'	B-C1	11'	C-D	34'	D-G	37'-0 1/8"
A-C2	45'-11 3/8"	B-C2	41'-3 1/4"	C-E	27'-2 3/8"	D-H	46'-5"
A-D	40'	B-D	52'-6"	C-F	39'-0 3/8"	D-H1	40'-7 5/8"
A-E	32'-11 7/8"	B-E	41'-2 3/4"	C-G	31'-0 1/4"	D-H2	32'-5 3/4"
A-F	15'-11 7/8"	B-F	34'-2 3/4"	C-H	20'-6 7/8"	D-H3	34'-0 3/8"
A-G	25'-6"	B-G	15'-6 5/8"	C-H1	27'-10 1/2"	D-H4	42'-4 1/2"
A-H	47'-5 7/8"	B-H	22'-10 1/2"	C-H2	33'-5 5/8"	D-H5	17'-4 3/8"
A-H1	32'-4"	B-H1	13'-1 1/4"	C-H3	34'-11 3/8"	D-H6	35'-7 3/8"
A-H2	19'-10 5/8"	B-H2	21'-5 5/8"	C-H4	30'-3 1/4"	D-I	26'-6 7/8"
A-H3	18'-11 1/8"	B-H3	20'-6 3/8"	C-H5	31'-7 1/8"	D-J	18'-8 5/8"
A-H4	31'-6 5/8"	B-H4	10'-9 5/8"	C-H6	16'-1 3/4"	D-S1	7'-9 3/8"
A-H5	24'-11 1/4"	B-H5	36'-3 5/8"	C-I	12'-8 3/4"	D-S2	11'-6 3/4"
A-H6	39'-10 1/4"	B-H6	24'-1 1/4"	C-J	19'-9 5/8"		
A-I	39'-9 7/8"	B-I	32'-3 3/8"	C-S1	34'-10 1/2"		
		B-J	52'-1 3/8"	C-S2	22'-5 3/4"		

<b>Date:</b> 5/10/2022	<b>Perimeter:</b> 126'-6 1/4"	 cardinalpools.com
<b>Drawn By:</b> JESSE H	<b>Area:</b> 939.8 SQ. FT.	
<b>Scale:</b> 1/8" = 1'-0"	<b>Notes:</b> - - - -	

This information is the confidential property of Cardinal Systems, Inc. Disclosure or duplication without proper written approval is strictly prohibited. Acceptance and use of this drawing constitutes knowledge and acceptance by the user of the terms and conditions set forth in the notice and warning which accompanied this drawing is incorporated herein and made part hereof and is found on Cardinal Systems, Inc's website at www.CardinalSystemsInc.com



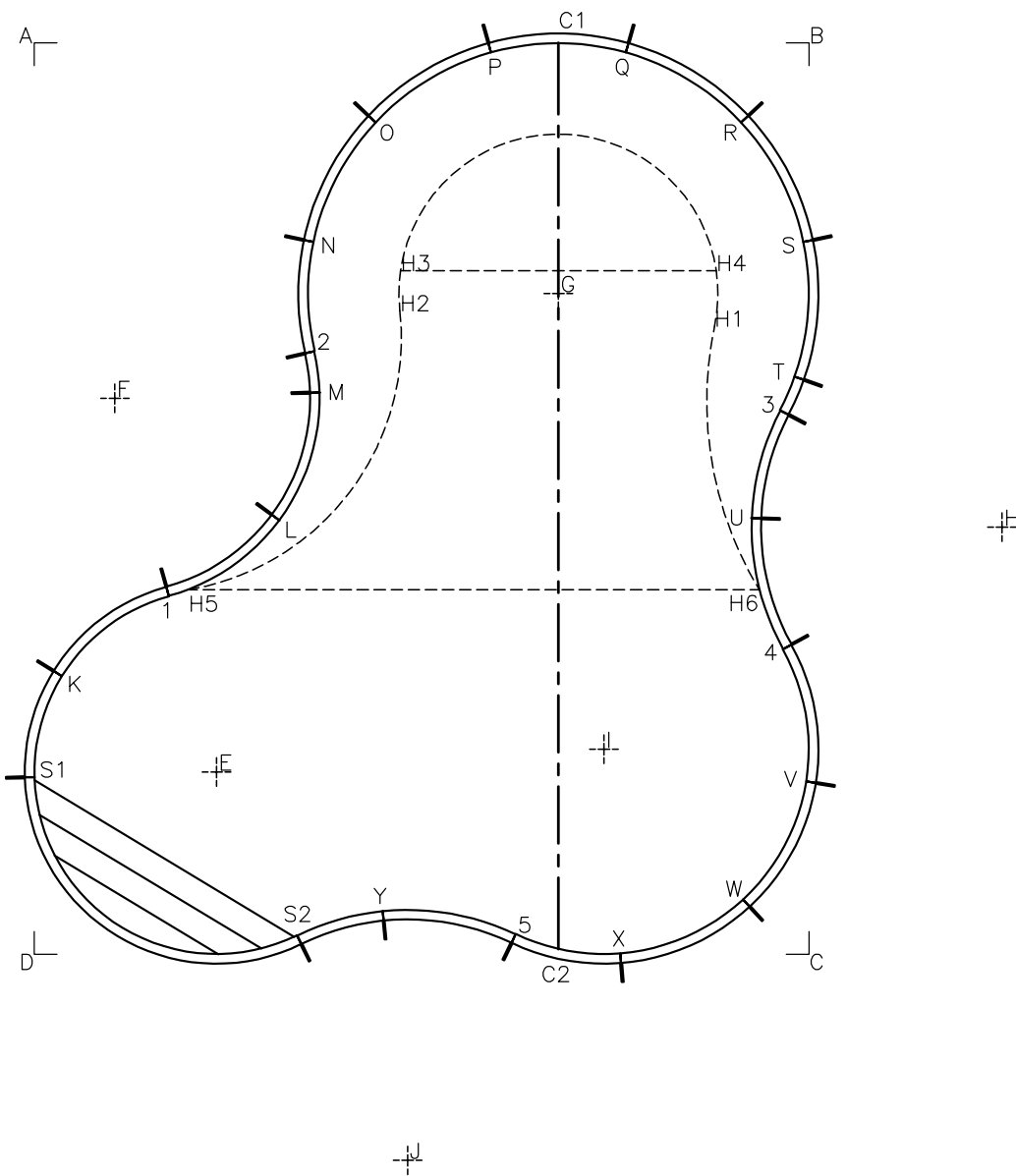
**Pool Size:** 22' X 40' X 34'

**Pool Shape:** LAGOON

**Approx Gal:** 34,146

**Pool Number:** 223440LA – (STEEL #2)

250 Route 61 South, Schuylkill Haven, PA 17972 • 570-385-4733 • fax: 570-385-1318 • CustomerService@CardinalSystemsinc.com



**Date:** 5/10/2022

**Perimeter:** 126' - 6 1/4"

**Drawn By:** JESSE H

**Area:** 939.8 SQ. FT.

**Scale:** 1/8" = 1'-0"

**Notes:** - - - -



cardinalpools.com

This information is the confidential property of Cardinal Systems, Inc. Disclosure or duplication without proper written approval is strictly prohibited. Acceptance and use of this drawing constitutes knowledge and acceptance by the user of the terms and conditions set forth in the notice and warning which accompanied this drawing is incorporated herein and made part hereof and is found on Cardinal Systems, Inc's website at www.CardinalSystemsInc.com

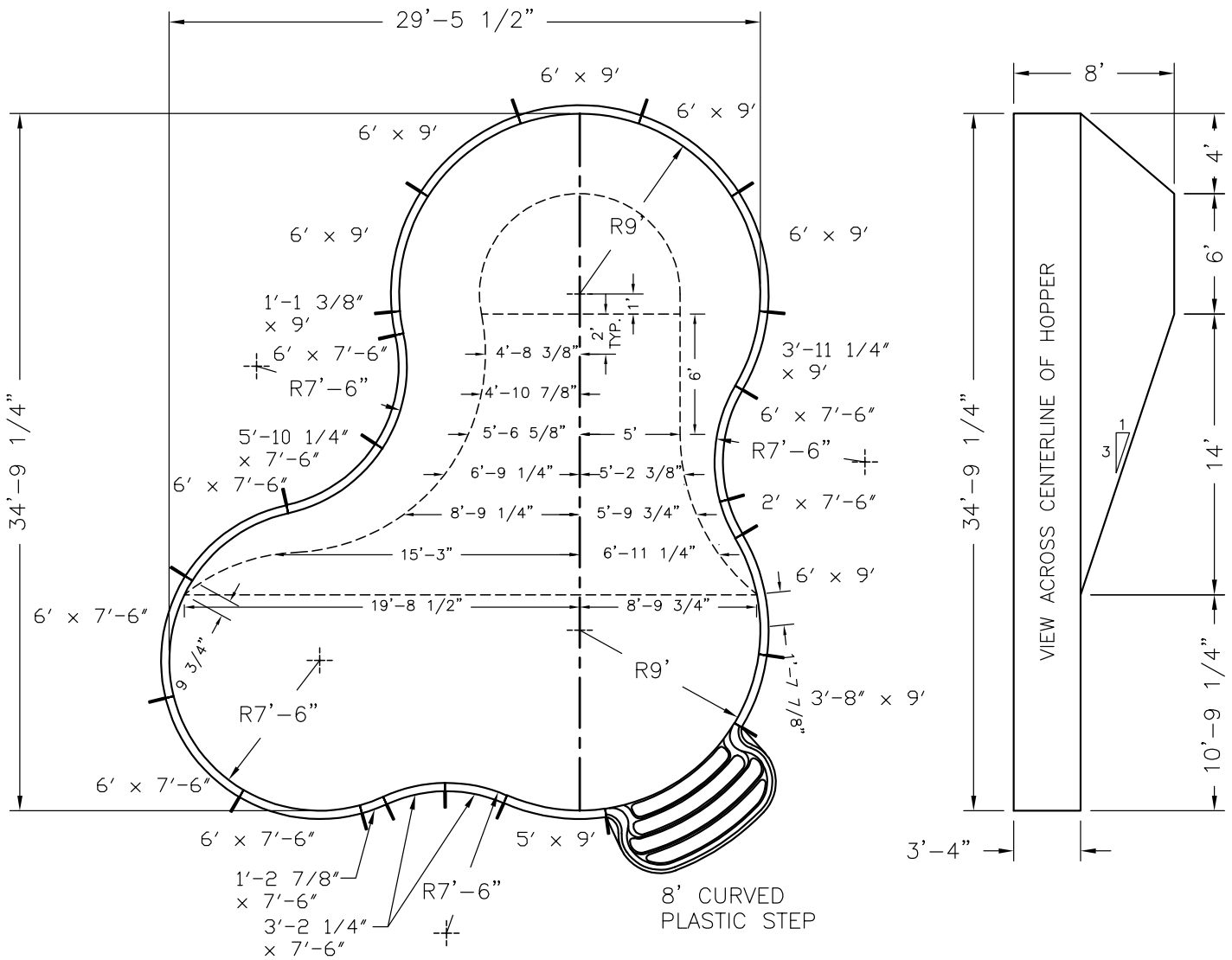



**Pool Size:** 18' X 29' X 35'  
**Pool Shape:** LAGOON **Approx Gal:** 25,481  
**Pool Number:** 182935LA – (PLASTIC)

250 Route 61 South, Schuylkill Haven, PA 17972 • 570-385-4733 • fax: 570-385-1318 • CustomerService@CardinalSystemsinc.com

### Bill of Materials

PART NO.	QUANTITY	DESCRIPTION
"A" FRAME	22	"A" FRAME ASSEMBLY
5C42113XX09000	1	1'-1 3/8" x 9' Radius C PANEL W/O Z
5C42127XX07600	1	1'-2 7/8" x 7'-6" Radius C PANEL W/O Z
5C42380XX09000	1	3'-8" x 9' Radius C PANEL W/O Z
5C423E2XX09000	1	3'-11 1/4" x 9' Radius C PANEL W/O Z
5C42500XX09000	1	5' x 9' Radius C PANEL W/O Z
5C42600XX07600	4	6' x 7'-6" Radius C PANEL W/O Z
5C42600XX09000	6	6' x 9' Radius C PANEL W/O Z
5R42200XX07600	1	2' x 7'-6" Radius R PANEL W/O Z
5R42322XX07600	2	3'-2 1/4" x 7'-6" Radius R PANEL W/O Z
5R425T2XX07600	1	5'-10 1/4" x 7'-6" Radius R PANEL W/O Z
5R42600XX07600	2	6' x 7'-6" Radius R PANEL W/O Z



<b>Date:</b> 5/10/2022	<b>Perimeter:</b> 109'-2"	 cardinalpools.com
<b>Drawn By:</b> JESSE H	<b>Area:</b> 700.5 SQ. FT.	
<b>Scale:</b> 1/8" = 1'-0"	<b>Notes:</b> -----	

This information is the confidential property of Cardinal Systems, Inc. Disclosure or duplication without proper written approval is strictly prohibited. Acceptance and use of this drawing constitutes knowledge and acceptance by the user of the terms and conditions set forth in the notice and warning which accompanied this drawing is incorporated herein and made part hereof and is found on Cardinal Systems, Inc's website at www.CardinalSystemsInc.com



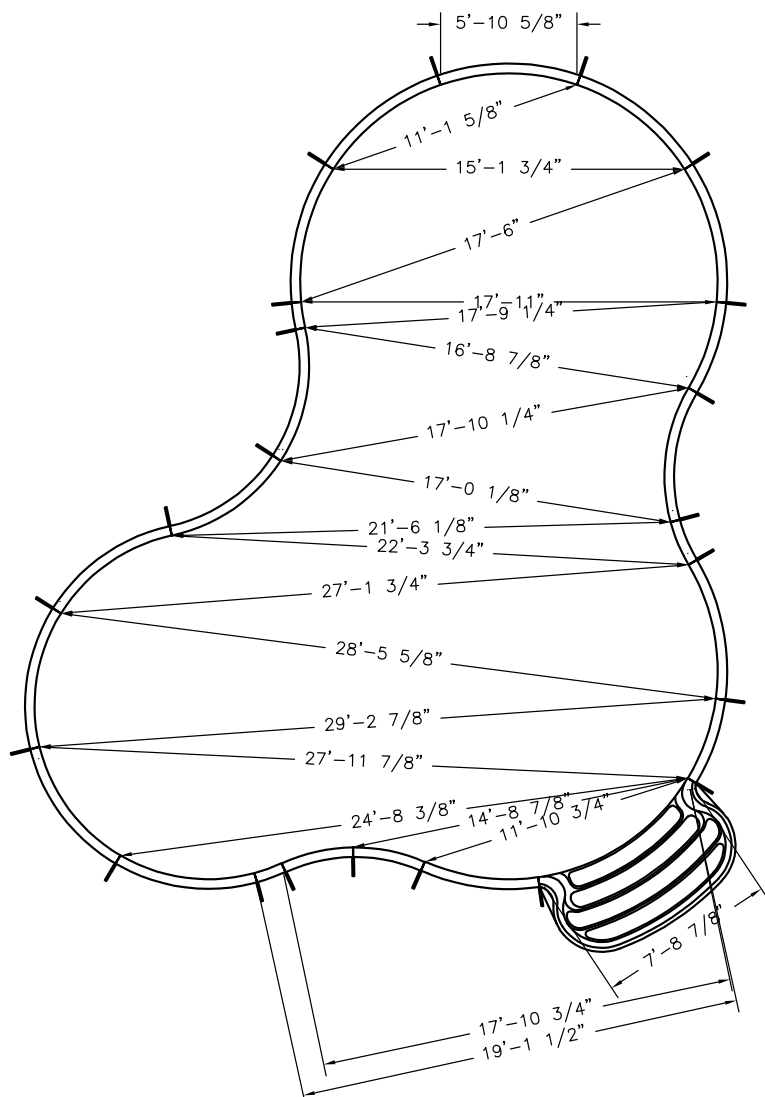
**Pool Size:** 18' X 29' X 35'

**Pool Shape:** LAGOON

**Approx Gal:** 25,481

**Pool Number:** 182935LA – (PLASTIC)

250 Route 61 South, Schuylkill Haven, PA 17972 • 570-385-4733 • fax: 570-385-1318 • CustomerService@CardinalSystemsinc.com



**Date:** 5/10/2022

**Perimeter:** 109'-2"

**Drawn By:** JESSE H

**Area:** 700.5 SQ. FT.

**Scale:** 1/8" = 1'-0"

**Notes:** - - - -



cardinalpools.com

This information is the confidential property of Cardinal Systems, Inc. Disclosure or duplication without proper written approval is strictly prohibited. Acceptance and use of this drawing constitutes knowledge and acceptance by the user of the terms and conditions set forth in the notice and warning which accompanied this drawing is incorporated herein and made part hereof and is found on Cardinal Systems, Inc's website at www.CardinalSystemsInc.com



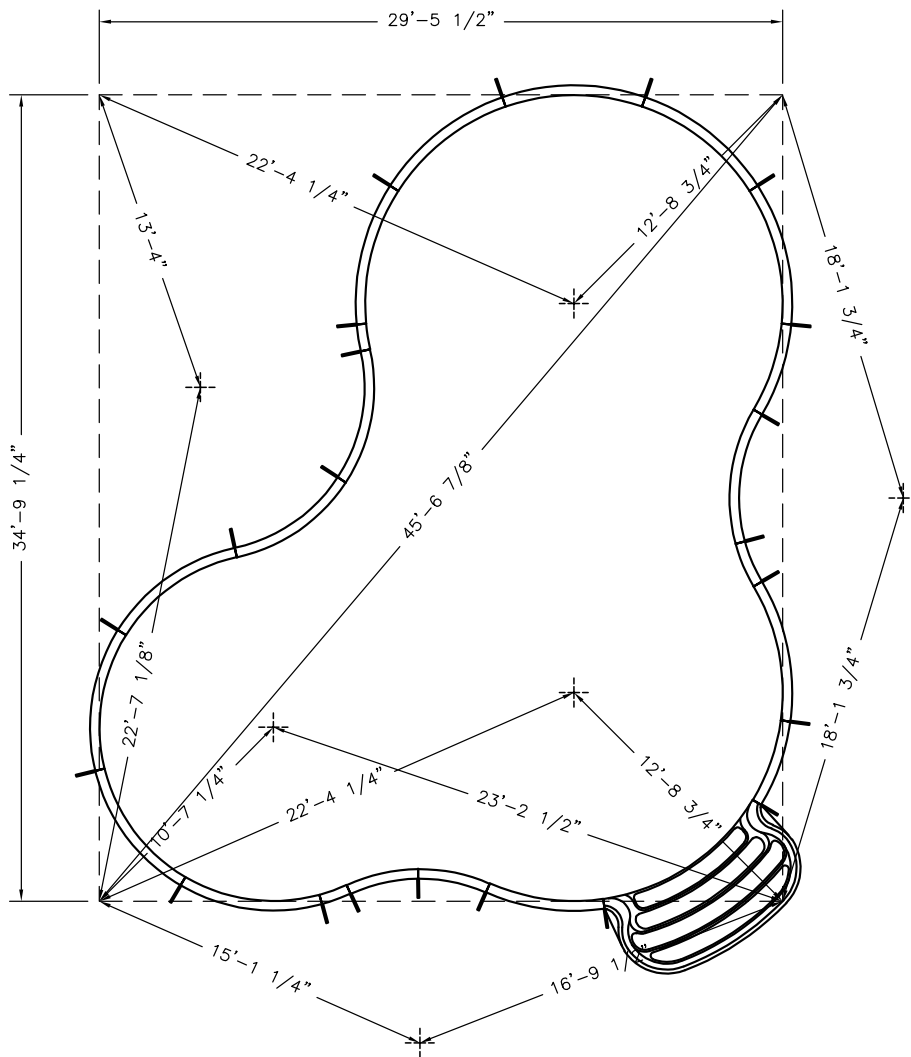
**Pool Size:** 18' X 29' X 35'


**Pool Shape:** LAGOON

**Approx Gal:** 25,481

**Pool Number:** 182935LA – (PLASTIC)

250 Route 61 South, Schuylkill Haven, PA 17972 • 570-385-4733 • fax: 570-385-1318 • CustomerService@CardinalSystemsinc.com



<b>Date:</b> 5/10/2022	<b>Perimeter:</b> 109'-2"	 cardinalpools.com
<b>Drawn By:</b> JESSE H	<b>Area:</b> 700.5 SQ. FT.	
<b>Scale:</b> 1/8" = 1'-0"	<b>Notes:</b> -----	

This information is the confidential property of Cardinal Systems, Inc. Disclosure or duplication without proper written approval is strictly prohibited. Acceptance and use of this drawing constitutes knowledge and acceptance by the user of the terms and conditions set forth in the notice and warning which accompanied this drawing is incorporated herein and made part hereof and is found on Cardinal Systems, Inc's website at www.CardinalSystemsInc.com





**Pool Size:** 18' X 29' X 35'  
**Pool Shape:** LAGOON **Approx Gal:** 25,481  
**Pool Number:** 182935LA - (PLASTIC)

250 Route 61 South, Schuylkill Haven, PA 17972 • 570-385-4733 • fax: 570-385-1318 • CustomerService@CardinalSystemsinc.com

HOPPER DIG POINTS	G-H	15'	E-H7	14'-7 5/8"	H-H5	11'-11 3/8"	
POINTS	DISTANCE						
E-F	16'-6"	G-I	22'-4 3/4"	G-H1	25'-7 3/8"	H-H6	27'-4 3/4"
E-G	13'-0 1/2"	G-J	28'-10 7/8"	G-H2	19'-0 3/4"	H-H7	9'-6"
E-H	20'-9 5/8"	H-I	16'-6"	G-H3	21'-2 3/8"	I-H1	5'
E-I	16'-9 1/4"	H-J	30'-8 1/4"	G-H4	24'-11"	I-H2	5'
E-J	16'-6"	I-I	16'-6"	G-H5	7'-6"	I-H3	8'-7 1/4"
F-G	15'	E-H1	17'-6"	G-H6	22'-0 1/8"	I-H4	5'-1 1/4"
F-H	29'-9 3/4"	E-H2	16'-6 1/8"	G-H7	5'-6"	I-H5	24'-9 1/4"
F-I	32'-6 3/4"	E-H3	10'-11 3/4"	H-H1	21'-4 7/8"	I-H6	17'-4 3/4"
F-J	31'-4 7/8"	E-H4	16'-6 1/2"	H-H2	11'-6"	I-H7	19'-1 3/8"
		E-H5	19'-9 1/2"	H-H3	21'-4 1/2"		
		E-H6	8'-11 7/8"	H-H4	21'-3 1/8"		

PANEL TO HOPPER POINTS	2-H3	23'-4 3/8"	4-H1	13'-11 1/8"	5-H6	10'-5 3/4"	
POINTS	DISTANCE						
1-H1	26'-5 1/2"	2-H4	28'-3 1/8"	4-H2	4'	5-H7	23'-4 3/4"
1-H2	24'-0 1/2"	2-H5	14'-1 1/2"	4-H3	14'-8 1/8"	6-H1	12'-6"
1-H3	19'-11 5/8"	2-H6	21'-2"	4-H4	13'-9 3/4"	6-H2	16'-10 3/4"
1-H4	25'-6 1/8"	2-H7	12'-11"	4-H5	17'-0 1/8"	6-H3	5'-10 5/8"
1-H5	18'-11 3/8"	3-H1	22'-4 5/8"	4-H6	21'-10 3/4"	6-H4	11'-6 3/8"
1-H6	15'-11 1/2"	3-H2	13'-10 1/8"	4-H7	12'-1 7/8"	6-H5	27'-7 1/4"
1-H7	16'-0 1/4"	3-H3	19'-11 1/8"	5-H1	5'-4"	6-H6	3'
2-H1	29'-1 3/8"	3-H4	21'-11"	5-H2	13'-1 3/4"	6-H7	21'-10 1/2"
2-H2	24'-6 3/4"	3-H5	6'-7"	5-H3	3'-8"		
		3-H6	23'-8 3/8"	5-H4	4'-6 1/8"		
		3-H7	2'	5-H5	29'-4 1/2"		

PANEL TO PANEL POINTS	2-P	17'-4 3/8"	3-X	24'-5 3/4"	5-R	18'	
POINTS	DISTANCE						
1-C1	34'-2 3/8"	2-Q	24'-2 3/4"	4-C1	14'-0 5/8"	5-S	16'-10 3/4"
1-C2	3'-8 3/8"	2-R	30'-0 1/4"	4-C2	25'-4 1/2"	5-S1	22'-1"
1-K	3'-1 7/8"	2-S	34'-3 1/4"	4-K	22'-6"	5-S2	16'-10"
1-L	7'-4 1/4"	2-S1	11'-1"	4-L	23'-7 5/8"	5-T	13'-11 1/4"
1-M	13'-1 5/8"	2-S2	17'-10 3/4"	4-M	24'-1 1/2"	5-U	9'-5 1/4"
1-N	17'-4 1/8"	2-T	35'-11"	4-N	21'-5"	5-V	3'-10 7/8"
1-O	19'	2-U	34'-7 3/8"	4-O	16'-2 1/2"	5-W	5'-10 1/8"
1-P	18'-4 1/2"	2-V	30'-7 1/2"	4-P	5'-10 1/8"	5-X	13'-5 3/8"
1-Q	24'-8 3/4"	2-W	22'-3 3/4"	4-Q	1'-1 3/8"	6-C1	22'-6 7/8"
1-R	30'-1 5/8"	2-X	20'-0 1/4"	4-R	6'-11 1/4"	6-C2	15'-7 5/8"
1-S	33'-6 1/4"	3-C1	24'-8"	4-S	11'-11 7/8"	6-K	18'-11"
1-S1	4'-11 1/4"	3-C2	20'-9 1/8"	4-S1	25'-9 1/8"	6-L	22'-11 1/2"
1-S2	11'-10 3/4"	3-K	15'-6 1/2"	4-S2	25'-6"	6-M	27'-6 3/8"
1-T	34'-1 7/8"	3-L	14'-11 7/8"	4-T	15'-8 5/8"	6-N	29'-0 7/8"
1-U	31'-10 7/8"	3-M	13'-11 3/4"	4-U	17'-8 3/4"	6-O	27'-1 3/4"
1-V	27'-2 3/4"	3-N	10'-9 1/8"	4-V	17'-9 1/4"	6-P	18'-1 3/4"
1-W	18'-1"	3-O	5'-10 1/8"	4-W	17'-10 1/4"	6-Q	20'-2 1/4"
1-X	14'-4 5/8"	3-P	5'-8 3/8"	4-X	23'-10 3/8"	6-R	22'-11 1/8"
2-C1	35'-5 1/2"	3-Q	11'-6 1/8"	5-C1	15'-7 5/8"	6-S	23'-3 5/8"
2-C2	9'-9 7/8"	3-R	17'-3 1/8"	5-C2	22'-6 7/8"	6-S1	14'-11 1/2"
2-K	3'-1 7/8"	3-S	22'-7 5/8"	5-K	24'-6 1/4"	6-S2	9'-2 1/2"
2-L	1'-2 7/8"	3-S1	21'-7 1/4"	5-L	28'-0 7/8"	6-T	21'-3"
2-M	6'-11 1/2"	3-S2	24'-7"	5-M	31'-8 7/8"	6-U	17'-0 3/4"
2-N	11'-7"	3-T	26'-1 3/4"	5-N	31'-11 7/8"	6-V	11'-4 3/4"
2-O	14'-4 5/8"	3-U	27'-2"	5-O	28'-9 1/8"	6-W	1'-11 7/8"
		3-V	25'-6 3/4"	5-P	17'-10 1/4"	6-X	5'-10 5/8"
		3-W	21'-6 1/8"	5-Q	17'-1 3/8"		

BOX POINTS	A-J	38'-9 3/8"	B-S1	35'-6 3/8"	D-C1	40'-4 1/8"	
POINTS	DISTANCE						
A-B	29'-5 1/2"	A-S1	40'-11 1/8"	B-S2	30'-5 1/8"	D-C2	20'-5 1/2"
A-C	45'-6 7/8"	A-S2	41'-5 3/8"	C-C1	35'-11"	D-E	22'-4 1/4"
A-C1	20'-5 1/2"	B-C	34'-9 1/4"	C-C2	9'	D-F	15'-1 1/4"
A-C2	40'-4 1/8"	B-C1	9'	C-D	29'-5 1/2"	D-G	10'-7 1/4"
A-D	34'-9 1/4"	B-C2	35'-11"	C-E	12'-8 3/4"	D-H	22'-7 1/8"
A-E	32'-10 7/8"	B-D	45'-6 7/8"	C-F	16'-9 1/2"	D-H1	36'-2 3/4"
A-F	43'-1 3/4"	B-E	27'-3 5/8"	C-G	23'-2 1/2"	D-H2	29'-3"
A-G	28'-3 3/8"	B-F	43'-9 1/4"	C-H	33'-5 7/8"	D-H3	31'-7 5/8"
A-H	13'-4"	B-G	35'-0 1/8"	C-H1	26'-1"	D-H4	35'-6 1/4"
A-H1	27'	B-H	28'-1"	C-H2	28'-4 7/8"	D-H5	10'-9 5/8"
A-H2	18'-6"	B-H1	9'-10 1/8"	C-H3	19'-2 1/4"	D-H6	31'-2 1/4"
A-H3	30'-0 7/8"	B-H2	17'-1 1/2"	C-H4	25'-1 1/8"	D-H7	14'-4 1/4"
A-H4	27'-4 1/4"	B-H3	16'-5 7/8"	C-H5	30'-8"	D-I	32'-10 7/8"
A-H5	24'-0 1/8"	B-H4	10'-9 1/4"	C-H6	10'-9 1/4"	D-J	38'-9 3/8"
A-H6	37'-10 1/4"	B-H5	37'-5"	C-H7	26'-5 1/2"	D-S1	21'-8 3/4"
A-H7	22'-9 1/2"	B-H6	24'	C-I	27'-3 5/8"	D-S2	28'-6 1/8"
A-I	22'-4 1/4"	B-H7	31'-10"	C-J	18'-1 3/4"		
		B-I	12'-8 3/4"	C-S1	7'-8 3/4"		
		B-J	18'-1 3/4"	C-S2	4'-6 5/8"		

Date: 5/10/2022

Perimeter: 109'-2"

Drawn By: JESSE H

Area: 700.5 SQ. FT.

Scale: 1/8" = 1'-0"

Notes: - - - -



cardinalpools.com

This information is the confidential property of Cardinal Systems, Inc. Disclosure or duplication without proper written approval is strictly prohibited. Acceptance and use of this drawing constitutes knowledge and acceptance by the user of the terms and conditions set forth in the notice and warning which accompanied this drawing is incorporated herein and made part hereof and is found on Cardinal Systems, Inc's website at www.CardinalSystemsInc.com



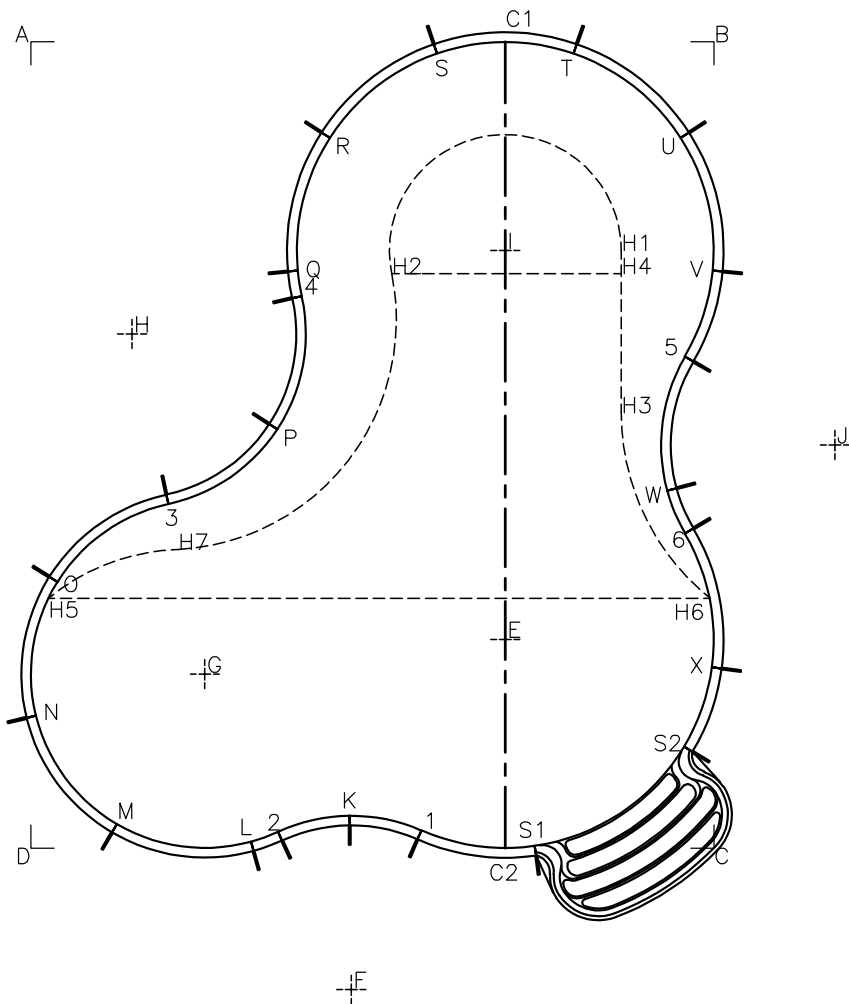
**Pool Size:** 18' X 29' X 35'


**Pool Shape:** LAGOON

**Approx Gal:** 25,481

**Pool Number:** 182935LA – (PLASTIC)

250 Route 61 South, Schuylkill Haven, PA 17972 • 570-385-4733 • fax: 570-385-1318 • CustomerService@CardinalSystemsinc.com



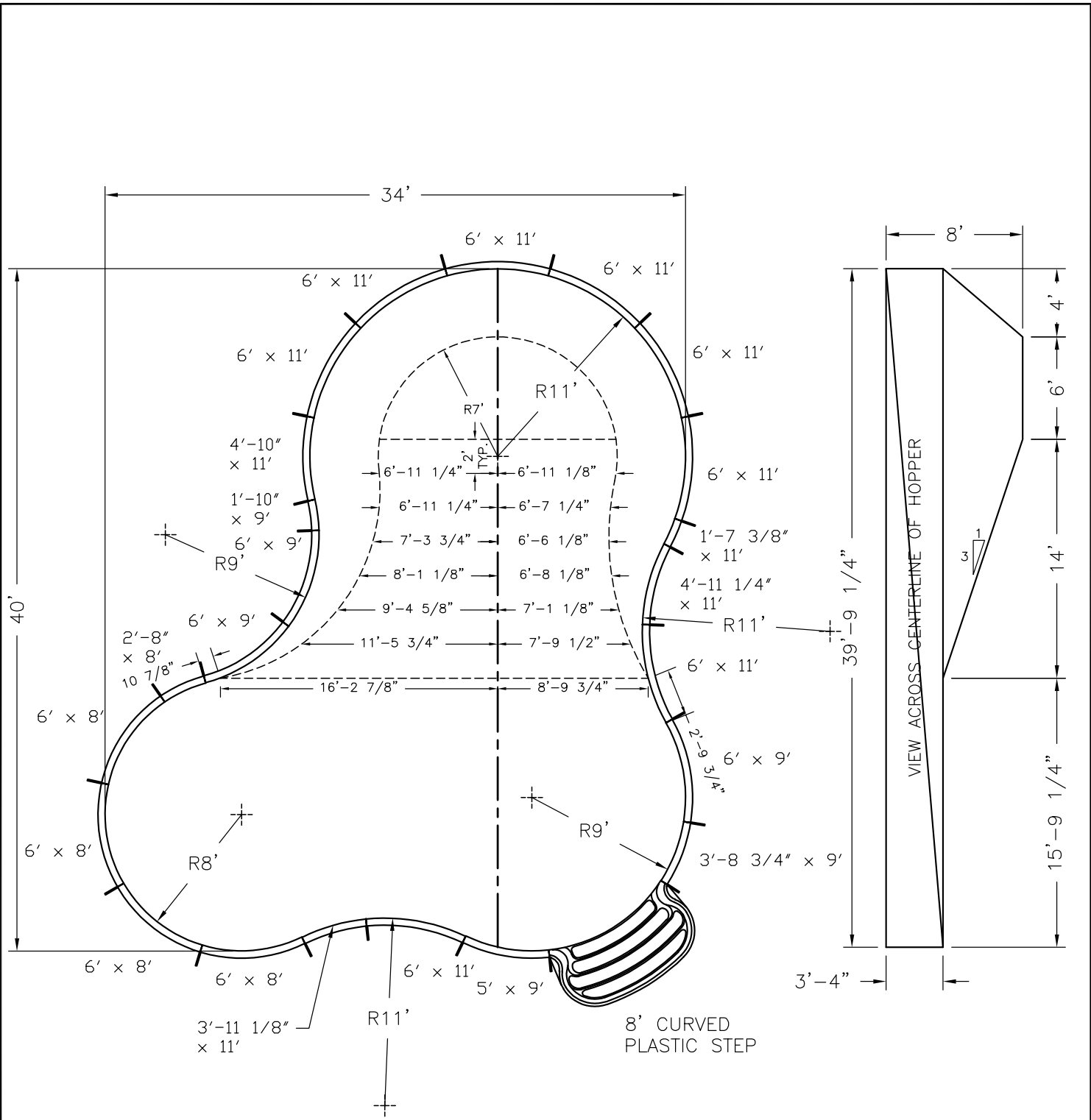
<b>Date:</b> 5/10/2022	<b>Perimeter:</b> 109'-2"	 cardinalpools.com
<b>Drawn By:</b> JESSE H	<b>Area:</b> 700.5 SQ. FT.	
<b>Scale:</b> 1/8" = 1'-0"	<b>Notes:</b> -----	

This information is the confidential property of Cardinal Systems, Inc. Disclosure or duplication without proper written approval is strictly prohibited. Acceptance and use of this drawing constitutes knowledge and acceptance by the user of the terms and conditions set forth in the notice and warning which accompanied this drawing is incorporated herein and made part hereof and is found on Cardinal Systems, Inc's website at www.CardinalSystemsInc.com



**Pool Size:** 22' X 40' X 34'  
**Pool Shape:** LAGOON **Approx Gal:** 34,186  
**Pool Number:** 223440LA – (PLASTIC)

250 Route 61 South, Schuylkill Haven, PA 17972 • 570-385-4733 • fax: 570-385-1318 • CustomerService@CardinalSystemsinc.com



<b>Date:</b> 5/10/2022	<b>Perimeter:</b> 126'-6 1/4"
<b>Drawn By:</b> JESSE H	<b>Area:</b> 939.8 SQ. FT.
<b>Scale:</b> 1/8" = 1'-0"	<b>Notes:</b> - - - -



This information is the confidential property of Cardinal Systems, Inc. Disclosure or duplication without proper written approval is strictly prohibited. Acceptance and use of this drawing constitutes knowledge and acceptance by the user of the terms and conditions set forth in the notice and warning which accompanied this drawing is incorporated herein and made part hereof and is found on Cardinal Systems, Inc's website at www.CardinalSystemsInc.com




**Pool Size:** 22' X 40' X 34'  
**Pool Shape:** LAGOON **Approx Gal:** 34,186  
**Pool Number:** 223440LA – (PLASTIC)

250 Route 61 South, Schuylkill Haven, PA 17972 • 570-385-4733 • fax: 570-385-1318 • CustomerService@CardinalSystemsinc.com

### Bill of Materials

PART NO.	QUANTITY	DESCRIPTION
"A" FRAME	24	"A" FRAME ASSEMBLY
5C42173XX11000	1	1'-7 3/8" x 11' Radius C PANEL W/O Z
5C42280XX08000	1	2'-8" x 8' Radius C PANEL W/O Z
5C42386XX09000	1	3'-8 3/4" x 9' Radius C PANEL W/O Z
5C424T0XX11000	1	4'-10" x 11' Radius C PANEL W/O Z
5C42500XX09000	1	5' x 9' Radius C PANEL W/O Z
5C42600XX08000	4	6' x 8' Radius C PANEL W/O Z
5C42600XX09000	1	6' x 9' Radius C PANEL W/O Z
5C42600XX11000	6	6' x 11' Radius C PANEL W/O Z
5R421T0XX09000	1	1'-10" x 9' Radius R PANEL W/O Z
5R423E1XX11000	1	3'-11 1/8" x 11' Radius R PANEL W/O Z
5R424E2XX11000	1	4'-11 1/4" x 11' Radius R PANEL W/O Z
5R42600XX09000	2	6' x 9' Radius R PANEL W/O Z
5R42600XX11000	2	6' x 11' Radius R PANEL W/O Z

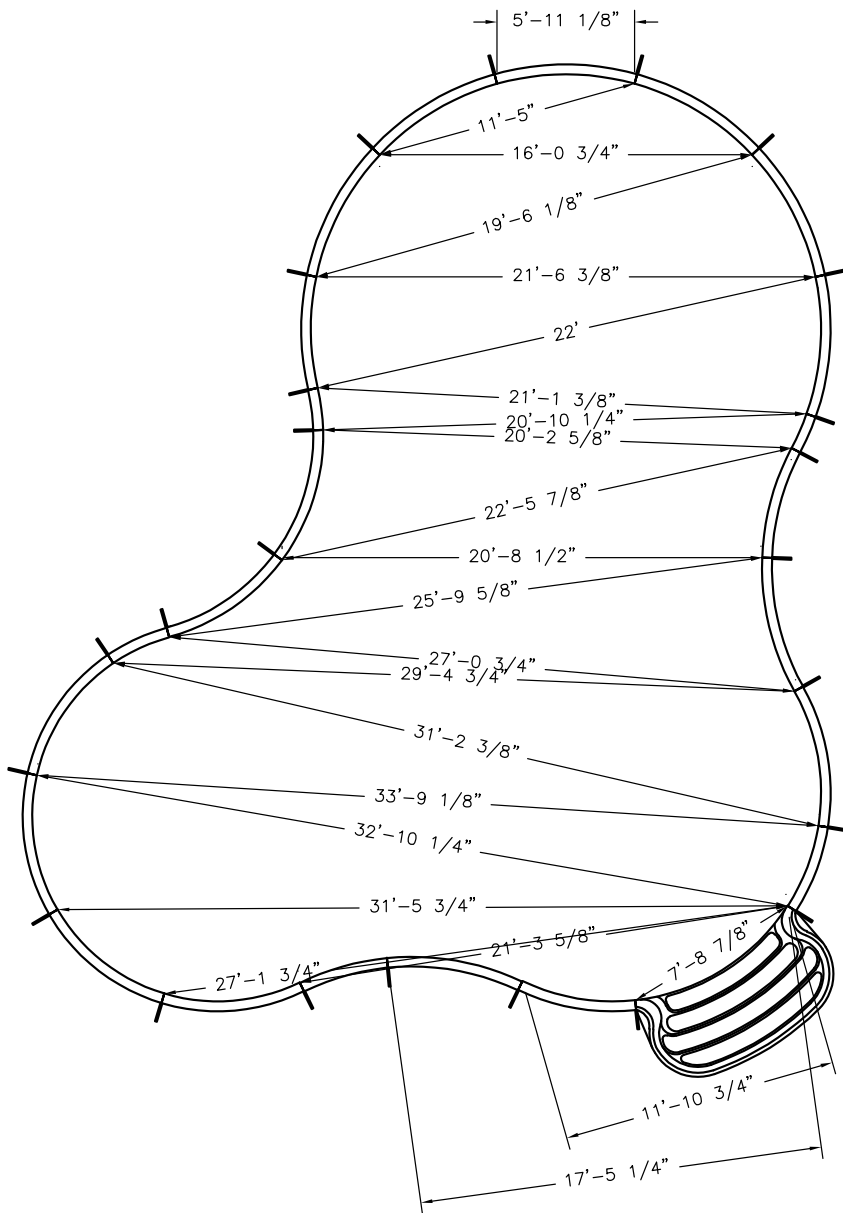
<b>Date:</b> 5/10/2022	<b>Perimeter:</b> 126'-6 1/4"	 <small>cardinalpools.com</small>
<b>Drawn By:</b> JESSE H	<b>Area:</b> 939.8 SQ. FT.	
<b>Scale:</b> 1/8" = 1'-0"	<b>Notes:</b> -----	

This information is the confidential property of Cardinal Systems, Inc. Disclosure or duplication without proper written approval is strictly prohibited. Acceptance and use of this drawing constitutes knowledge and acceptance by the user of the terms and conditions set forth in the notice and warning which accompanied this drawing is incorporated herein and made part hereof and is found on Cardinal Systems, Inc's website at [www.CardinalSystemsInc.com](http://www.CardinalSystemsInc.com)



**Pool Size:** 22' X 40' X 34'  
**Pool Shape:** LAGOON **Approx Gal:** 34,186  
**Pool Number:** 223440LA – (PLASTIC)

250 Route 61 South, Schuylkill Haven, PA 17972 • 570-385-4733 • fax: 570-385-1318 • CustomerService@CardinalSystemsinc.com



**Date:** 5/10/2022

**Perimeter:** 126'-6 1/4"

**Drawn By:** JESSE H

**Area:** 939.8 SQ. FT.

**Scale:** 1/8" = 1'-0"

**Notes:** - - - -



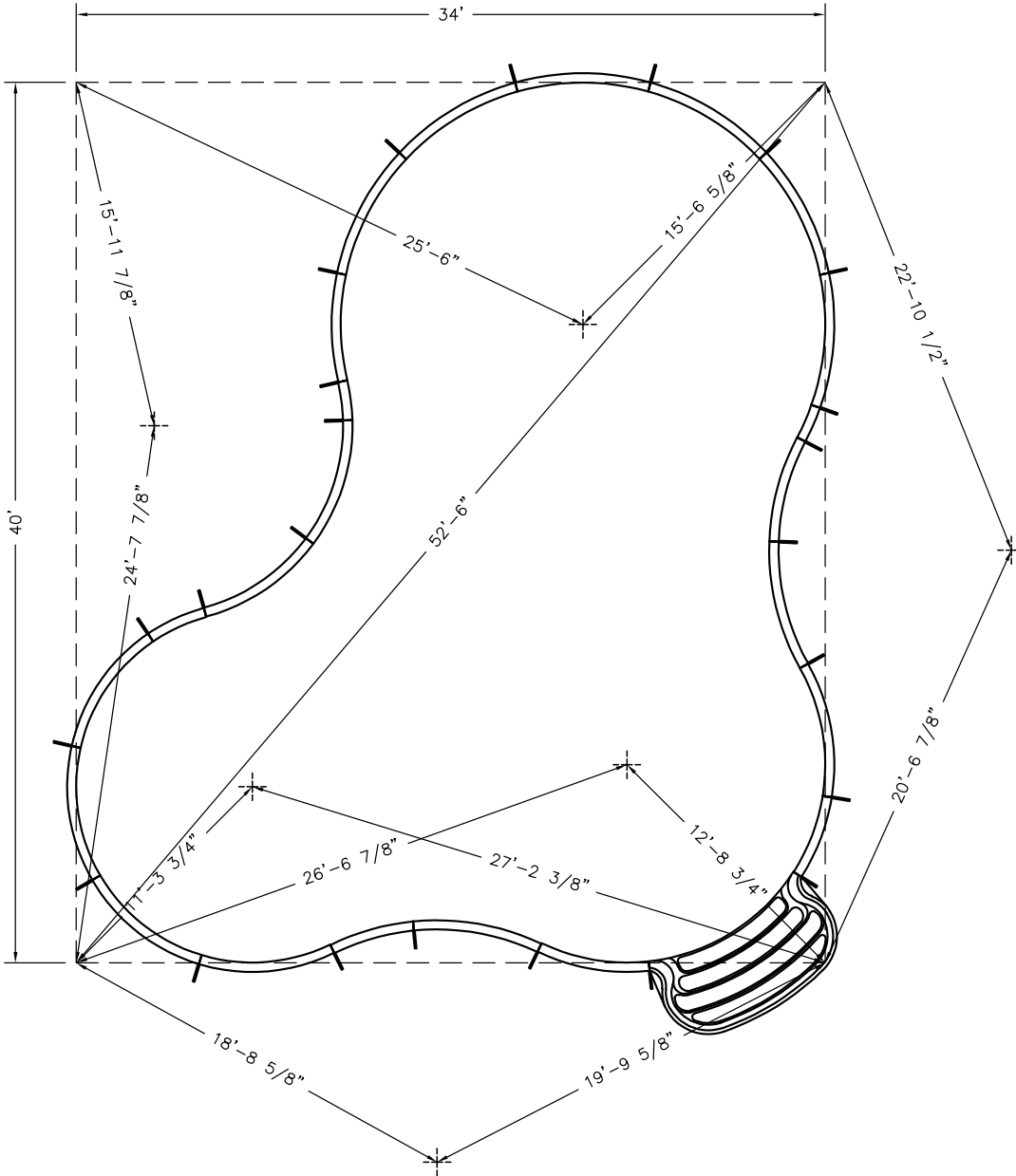
cardinalpools.com


This information is the confidential property of Cardinal Systems, Inc. Disclosure or duplication without proper written approval is strictly prohibited. Acceptance and use of this drawing constitutes knowledge and acceptance by the user of the terms and conditions set forth in the notice and warning which accompanied this drawing is incorporated herein and made part hereof and is found on Cardinal Systems, Inc's website at www.CardinalSystemsInc.com



**Pool Size:** 22' X 40' X 34'  
**Pool Shape:** LAGOON **Approx Gal:** 34,186  
**Pool Number:** 223440LA – (PLASTIC)

250 Route 61 South, Schuylkill Haven, PA 17972 • 570-385-4733 • fax: 570-385-1318 • CustomerService@CardinalSystemsinc.com



<b>Date:</b> 5/10/2022	<b>Perimeter:</b> 126'–6 1/4"	 cardinalpools.com
<b>Drawn By:</b> JESSE H	<b>Area:</b> 939.8 SQ. FT.	
<b>Scale:</b> 1/8" = 1'–0"	<b>Notes:</b> -----	

This information is the confidential property of Cardinal Systems, Inc. Disclosure or duplication without proper written approval is strictly prohibited. Acceptance and use of this drawing constitutes knowledge and acceptance by the user of the terms and conditions set forth in the notice and warning which accompanied this drawing is incorporated herein and made part hereof and is found on Cardinal Systems, Inc's website at www.CardinalSystemsInc.com



**Pool Size:** 22' X 40' X 34'  
**Pool Shape:** LAGOON **Approx Gal:** 34,186  
**Pool Number:** 223440LA – (PLASTIC)

250 Route 61 South, Schuylkill Haven, PA 17972 • 570-385-4733 • fax: 570-385-1318 • CustomerService@CardinalSystemsinc.com

HOPPER DIG POINTS		F-J	38'-1 3/8"	E-H5	19'-6 1/2"	H-H4	26'-11 3/4"
POINTS	DISTANCE	G-H	17'	E-H6	9'-9 1/4"	H-H5	9'
E-F	20'	G-I	25'-9 5/8"	G-H1	29'-4"	H-H6	29'-6"
E-G	17'-0 3/8"	G-J	36'-1 1/4"	G-H2	21'-9 3/8"	I-H1	7'
E-H	26'-5"	H-I	20'	G-H3	23'-5 1/4"	I-H2	7'
E-I	20'-1 1/4"	H-J	39'-4"	G-H4	31'-0 3/4"	I-H3	7'
F-J	20'	I-J	22'	G-H5	8'-1 1/8"	I-H4	7'
F-G	19'	E-H1	19'-2 1/4"	G-H6	25'-1 1/2"	I-H5	20'-9 5/8"
F-H	35'-10"	E-H2	21'-2 3/4"	H-H1	26'-6"	I-H6	15'-8 1/2"
F-I	38'-7 1/2"	E-H3	22'-9 7/8"	H-H2	13'-1"		
		E-H4	21'-6 7/8"	H-H3	13'-8 3/4"		
PANEL TO HOPPER POINTS		2-H2	27'-9 1/2"	3-H6	25'-11"	5-H4	6'-8 7/8"
POINTS	DISTANCE	2-H3	29'-6 3/8"	4-H1	17'-7 1/8"	5-H5	27'-1 3/4"
1-H1	28'-0 7/8"	2-H4	34'-5 7/8"	4-H2	4'-1 3/4"	5-H6	7'-11 1/8"
1-H2	27'-10"	2-H5	15'-10 7/8"	4-H3	5'-2"	6-H1	14'-5 7/8"
1-H3	29'-6 5/8"	2-H6	25'-4"	4-H4	17'-11 3/4"	6-H2	22'-5 1/4"
1-H4	30'-5 1/8"	3-H1	26'-8 5/8"	4-H5	11'-10 1/8"	6-H3	23'-7 3/8"
1-H5	20'-10 1/4"	3-H2	16'-1 3/8"	4-H6	22'-1 3/4"	6-H4	16'-10 1/2"
1-H6	18'-6 1/4"	3-H3	17'-6 3/8"	5-H1	4'-8 1/4"	6-H5	26'-2 3/4"
2-H1	32'-5"	3-H4	27'-11 3/8"	5-H2	17'-3"	6-H6	2'-9 3/4"
		3-H5	10 7/8"	5-H3	17'-9"		
PANEL TO PANEL POINTS		2-Q	23'-10 1/4"	3-Z	29'-1 3/4"	5-S	21'-9 5/8"
POINTS	DISTANCE	2-R	30'-5 3/8"	4-C1	17'-3"	5-S1	24'-9"
1-C1	39'-2"	2-S	35'-10 3/8"	4-C2	28'-4 1/8"	5-S2	19'-8 7/8"
1-C2	1'-11 7/8"	2-S1	14'-5 3/4"	4-K	24'-9 1/8"	5-T	20'-2 1/2"
1-K	5'-11 1/8"	2-S2	21'-3 5/8"	4-L	26'-11 3/8"	5-U	17'-1 3/8"
1-L	15'-5 1/4"	2-T	39'-8 3/8"	4-M	25'-1 5/8"	5-V	12'-9 1/8"
1-M	20'-3 1/4"	2-U	41'-4 1/2"	4-N	20'-7 1/2"	5-W	7'-5 1/2"
1-N	22'-8 7/8"	2-V	40'-8 1/8"	4-O	14'-9 1/4"	5-X	1'-7 3/8"
1-O	22'-4 1/8"	2-W	37'-8 3/8"	4-P	7'-7"	5-Y	4'-10 3/4"
1-P	20'-10 7/8"	2-X	32'-10 1/8"	4-Q	1'-10"	5-Z	16'-3 7/8"
1-Q	25'-3 3/8"	2-Y	27'-1"	4-R	4'-9 1/2"	6-C1	28'-4 5/8"
1-R	31'-7 7/8"	2-Z	23'-4 1/4"	4-S	10'-4 3/4"	6-C2	16'-5 3/8"
1-S	36'-2"	3-C1	29'-8 3/8"	4-S1	29'-9 1/8"	6-K	21'
1-S1	4'-11 1/4"	3-C2	23'-0 7/8"	4-S2	30'-2"	6-L	30'-1 5/8"
1-S2	11'-10 3/4"	3-K	16'-8 1/2"	4-T	15'-2 7/8"	6-M	33'-1 5/8"
1-T	38'-8 3/4"	3-L	15'-4 1/2"	4-U	18'-11 3/8"	6-N	32'-10 3/8"
1-U	39'-0 1/4"	3-M	12'-8 3/8"	4-V	21'-3 1/8"	6-O	29'-4 3/4"
1-V	36'-11 7/8"	3-N	8'-3"	4-W	22'	6-P	22'-9 3/4"
1-W	32'-10 7/8"	3-O	2'-7 7/8"	4-X	21'-1 3/8"	6-Q	23'-2 7/8"
1-X	27'-4 3/8"	3-P	5'-10 5/8"	4-Y	20'-6 3/8"	6-R	27'-3 1/2"
1-Y	21'	3-Q	11'-1 5/8"	4-Z	28'-8 1/4"	6-S	29'-2 7/8"
1-Z	14'-5"	3-R	16'-9 3/8"	5-C1	18'-10"	6-S1	15'
2-C1	40'-9 7/8"	3-S	22'-8 1/4"	5-C2	25'-6 7/8"	6-S2	9'-3 1/8"
2-C2	11'-5 7/8"	3-S1	25'-5 3/4"	5-K	28'-0 3/4"	6-T	29'-2 1/8"
2-K	3'-10 7/8"	3-S2	29'-1"	5-L	35'-10 1/8"	6-U	27'-1 1/4"
2-L	5'-10 3/8"	3-T	27'-9"	5-M	37'-4 5/8"	6-V	23'-2 1/2"
2-M	10'-10 7/8"	3-U	31'-2 1/4"	5-N	35'-5 5/8"	6-W	17'-10 3/4"
2-N	14'-5 1/4"	3-V	32'-7 1/2"	5-O	30'-8 1/8"	6-X	11'-11 3/4"
2-O	15'-11 1/2"	3-W	31'-10 7/8"	5-P	22'-5 7/8"	6-Y	5'-11 1/8"
2-P	18'-2 7/8"	3-X	29'-1 3/8"	5-Q	20'-2 5/8"	6-Z	5'-10 5/8"
		3-Y	25'-9 5/8"	5-R	21'-9 1/2"		
BOX POINTS		A-J	47'-5 7/8"	B-S1	40'-8 7/8"	D-C1	46'-1 3/4"
POINTS	DISTANCE	A-S1	47'-7 7/8"	B-S2	35'-10 3/4"	D-C2	23'
A-B	34'	A-S2	48'-5 3/8"	C-C1	41'-5 7/8"	D-E	26'-6 7/8"
A-C	52'-6"	B-C	40'	C-C2	11'	D-F	18'-8 5/8"
A-C1	23'	B-C1	11'	C-D	34'	D-G	11'-3 3/4"
A-C2	45'-11 3/8"	B-C2	41'-3 1/4"	C-E	12'-8 3/4"	D-H	24'-7 7/8"
A-D	40'	B-D	52'-6"	C-F	19'-9 5/8"	D-H1	40'-7 5/8"
A-E	39'-9 7/8"	B-E	32'-3 3/8"	C-G	27'-2 3/8"	D-H2	32'-5 3/4"
A-F	51'-8 5/8"	B-F	52'-1 3/8"	C-H	39'-0 3/8"	D-H3	34'-0 3/8"
A-G	32'-11 7/8"	B-G	41'-2 3/4"	C-H1	27'-10 1/2"	D-H4	42'-4 1/2"
A-H	15'-11 7/8"	B-H	34'-2 3/4"	C-H2	33'-5 5/8"	D-H5	17'-4 3/8"
A-H1	32'-4"	B-H1	13'-1 1/4"	C-H3	34'-11 3/8"	D-H6	35'-7 3/8"
A-H2	19'-10 5/8"	B-H2	21'-5 5/8"	C-H4	30'-3 1/4"	D-I	37'-0 1/8"
A-H3	18'-11 1/8"	B-H3	20'-6 3/8"	C-H5	31'-7 1/8"	D-J	46'-5"
A-H4	31'-6 5/8"	B-H4	10'-9 5/8"	C-H6	16'-1 3/4"	D-S1	25'-11 7/8"
A-H5	24'-11 1/4"	B-H5	36'-3 5/8"	C-I	31'-0 1/4"	D-S2	32'-10"
A-H6	39'-10 1/4"	B-H6	24'-1 1/4"	C-J	20'-6 7/8"		
A-I	25'-6"	B-I	15'-6 5/8"	C-S1	8'-0 1/8"		
		B-J	22'-10 1/2"	C-S2	4'-4 1/2"		

**Date:** 5/10/2022

**Perimeter:** 126'-6 1/4"

**Drawn By:** JESSE H

**Area:** 939.8 SQ. FT.

**Scale:** 1/8" = 1'-0"

**Notes:** - - - -



cardinalpools.com

This information is the confidential property of Cardinal Systems, Inc. Disclosure or duplication without proper written approval is strictly prohibited. Acceptance and use of this drawing constitutes knowledge and acceptance by the user of the terms and conditions set forth in the notice and warning which accompanied this drawing is incorporated herein and made part hereof and is found on Cardinal Systems, Inc's website at www.CardinalSystemsInc.com



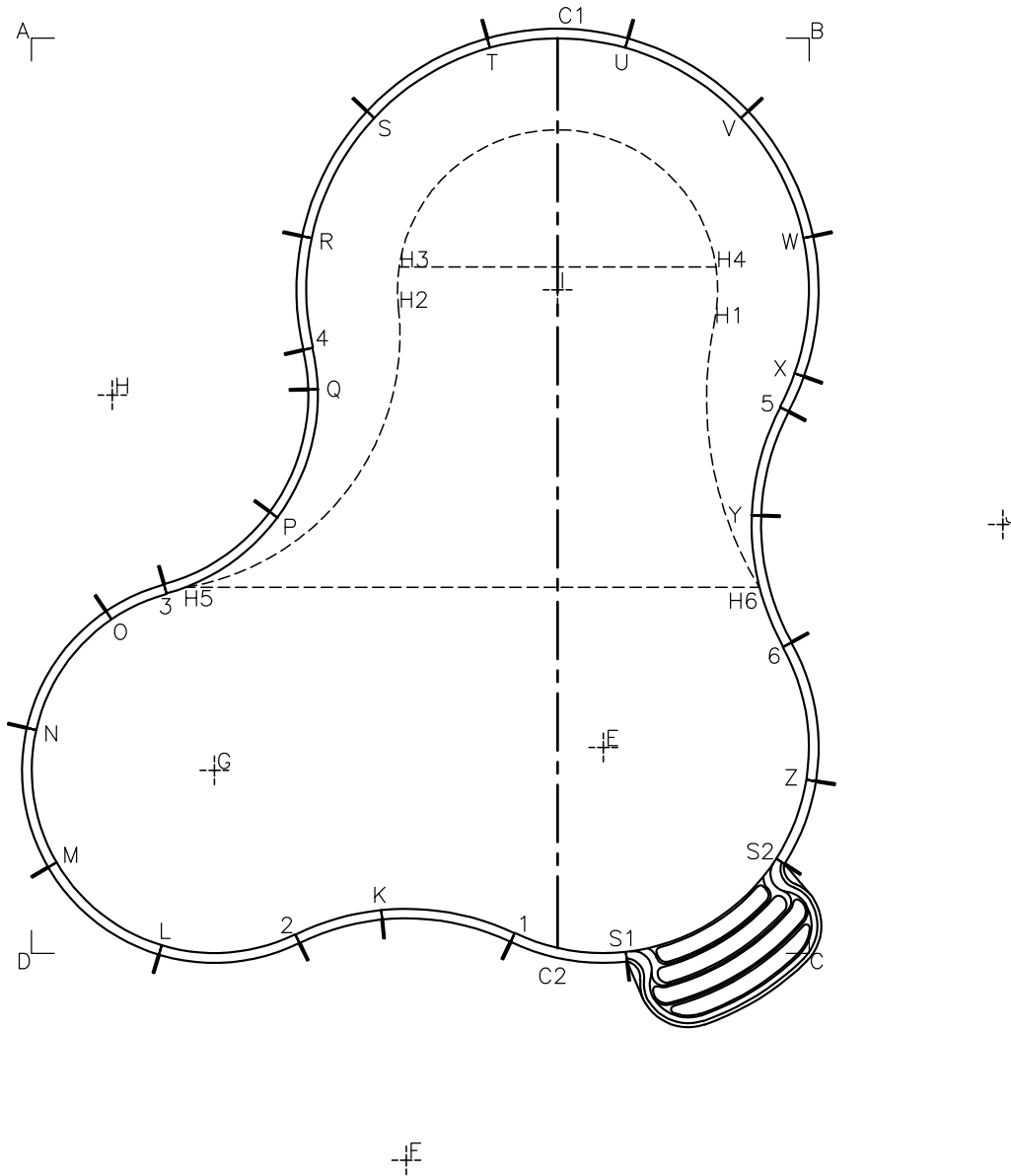
**Pool Size:** 22' X 40' X 34'

**Pool Shape:** LAGOON

**Approx Gal:** 34,186

**Pool Number:** 223440LA – (PLASTIC)

250 Route 61 South, Schuylkill Haven, PA 17972 • 570-385-4733 • fax: 570-385-1318 • CustomerService@CardinalSystemsinc.com



**Date:** 5/10/2022

**Perimeter:** 126'-6 1/4"

**Drawn By:** JESSE H

**Area:** 939.8 SQ. FT.

**Scale:** 1/8" = 1'-0"

**Notes:** -----



cardinalpools.com

This information is the confidential property of Cardinal Systems, Inc. Disclosure or duplication without proper written approval is strictly prohibited. Acceptance and use of this drawing constitutes knowledge and acceptance by the user of the terms and conditions set forth in the notice and warning which accompanied this drawing is incorporated herein and made part hereof and is found on Cardinal Systems, Inc's website at www.CardinalSystemsInc.com



# FIGURE 8



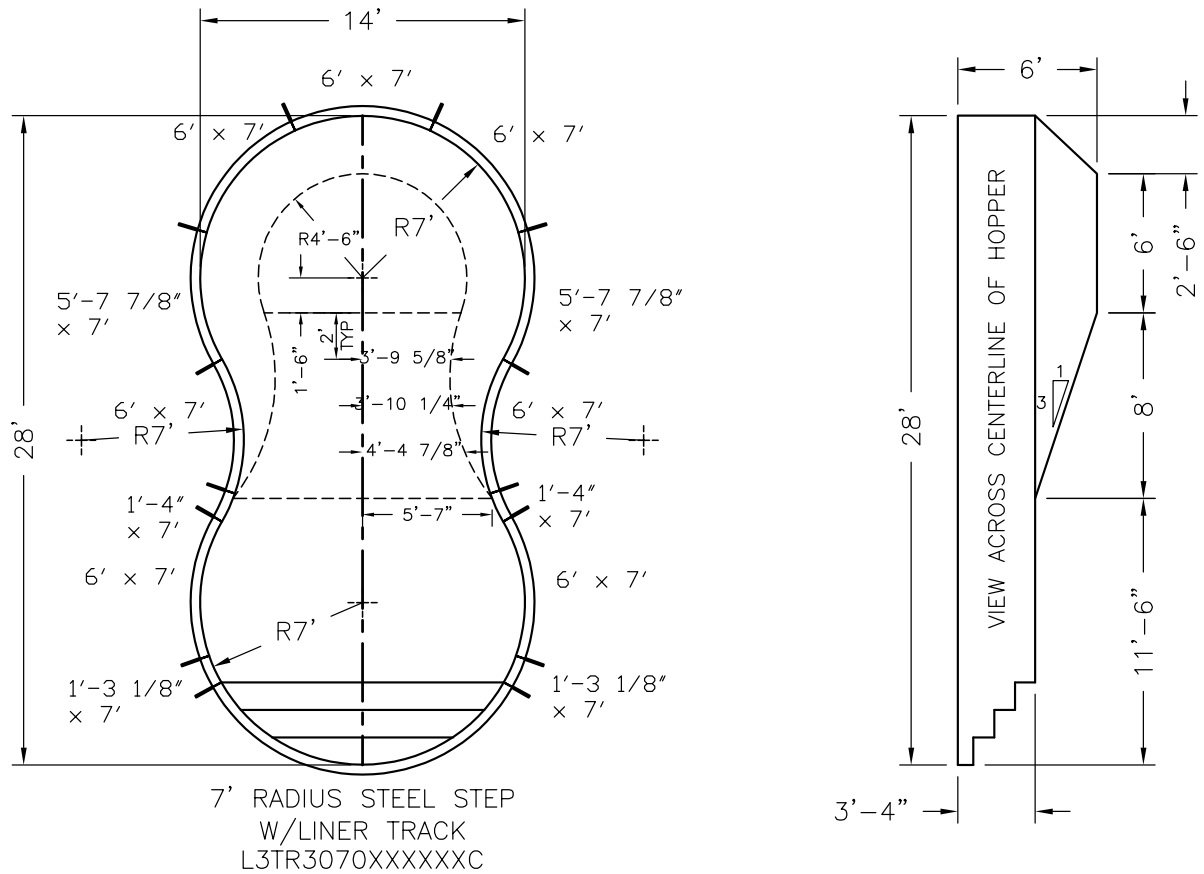
**Pool Size:** 14' X 28'  
**Pool Shape:** FIGURE 8  
**Pool Number:** 1428FIG8 (STEEL)

**Approx Gal:** 10,318


250 Route 61 South, Schuylkill Haven, PA 17972 • 570-385-4733 • fax: 570-385-1318 • CustomerService@CardinalSystemsinc.com

## Bill of Materials

PART NO.	QUANTITY	DESCRIPTION
"A" FRAME	14	"A" FRAME ASSEMBLY
L3TR3070XXXXXXC	1	7' RADIUS STEEL STEP W/LINER TRACK
5C42131XX07000	2	1'-3 1/8" x 7' Radius C PANEL W/O Z
5C42577XX07000	2	5'-7 7/8" x 7' Radius C PANEL W/O Z
5C42600XX07000	5	6' x 7' Radius C PANEL W/O Z
5R42140XX07000	2	1'-4" x 7' Radius R PANEL W/O Z
5R42600XX07000	2	6' x 7' Radius R PANEL W/O Z



NOTE: THIS IS A NON DIVING POOL.

<b>Date:</b> 5/10/2022	<b>Perimeter:</b> 73'-3 5/8"	 cardinalpools.com
<b>Drawn By:</b> JESSE H	<b>Area:</b> 323.7 SQ. FT.	
<b>Scale:</b> 1/8" = 1'-0"	<b>Notes:</b> -----	

This information is the confidential property of Cardinal Systems, Inc. Disclosure or duplication without proper written approval is strictly prohibited. Acceptance and use of this drawing constitutes knowledge and acceptance by the user of the terms and conditions set forth in the notice and warning which accompanied this drawing is incorporated herein and made part hereof and is found on Cardinal Systems, Inc's website at www.CardinalSystemsInc.com



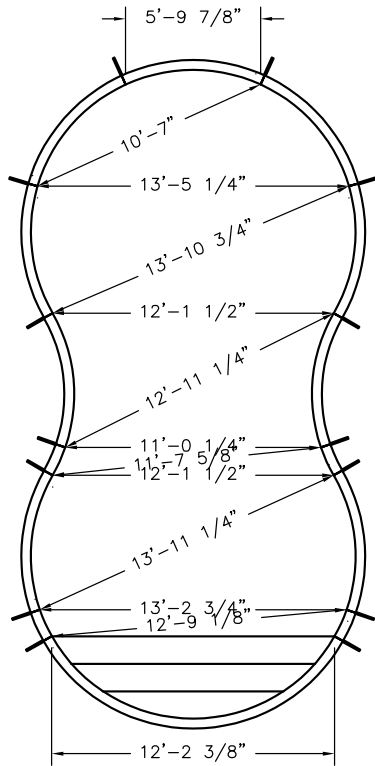
**Pool Size:** 14' X 28'

**Pool Shape:** FIGURE 8

**Pool Number:** 1428FIG8 (STEEL)

**Approx Gal:** 10,318

250 Route 61 South, Schuylkill Haven, PA 17972 • 570-385-4733 • fax: 570-385-1318 • CustomerService@CardinalSystemsinc.com



**Date:** 5/10/2022

**Perimeter:** 73'-3 5/8"

**Drawn By:** JESSE H

**Area:** 323.7 SQ. FT.

**Scale:** 1/8" = 1'-0"

**Notes:** -----



cardinalpools.com

This information is the confidential property of Cardinal Systems, Inc. Disclosure or duplication without proper written approval is strictly prohibited. Acceptance and use of this drawing constitutes knowledge and acceptance by the user of the terms and conditions set forth in the notice and warning which accompanied this drawing is incorporated herein and made part hereof and is found on Cardinal Systems, Inc's website at www.CardinalSystemsInc.com



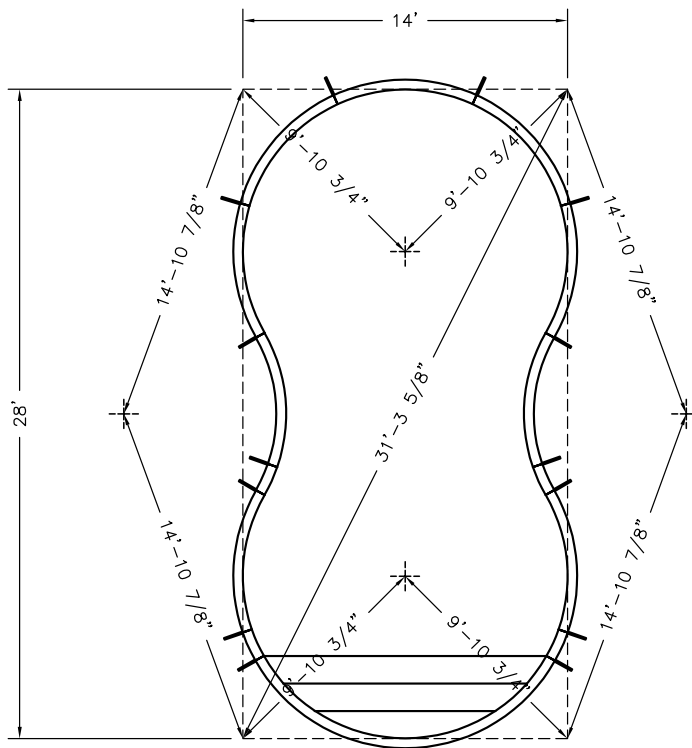
**Pool Size:** 14' X 28'

**Pool Shape:** FIGURE 8

**Approx Gal:** 10,318

**Pool Number:** 1428FIG8 (STEEL)

250 Route 61 South, Schuylkill Haven, PA 17972 • 570-385-4733 • fax: 570-385-1318 • CustomerService@CardinalSystemsinc.com



**Date:** 5/10/2022

**Perimeter:** 73'-3 5/8"

**Drawn By:** JESSE H

**Area:** 323.7 SQ. FT.

**Scale:** 1/8" = 1'-0"

**Notes:** - - - -



cardinalpools.com

This information is the confidential property of Cardinal Systems, Inc. Disclosure or duplication without proper written approval is strictly prohibited. Acceptance and use of this drawing constitutes knowledge and acceptance by the user of the terms and conditions set forth in the notice and warning which accompanied this drawing is incorporated herein and made part hereof and is found on Cardinal Systems, Inc's website at www.CardinalSystemsInc.com



**Pool Size:** 14' X 28'


**Pool Shape:** FIGURE 8

**Approx Gal:** 10,318

**Pool Number:** 1428FIG8 (STEEL)

250 Route 61 South, Schuylkill Haven, PA 17972 • 570-385-4733 • fax: 570-385-1318 • CustomerService@CardinalSystemsinc.com

HOPPER DIG POINTS		E-H		E-H2		G-H3	
POINTS	DISTANCE						
		F-G	14'	E-H3	13'-2 3/8"	G-H4	11'-0 1/4"
		F-H	24'-3"	E-H4	7'-2 1/8"		
E-F	14'	G-H	14'	G-H1	4'-6"		
E-G	14'	E-H1	13'-2 3/8"	G-H2	4'-6"		
PANEL TO HOPPER POINTS		1-H3		2-H4		4-H1	
POINTS	DISTANCE						
		1-H4	1'-1 1/4"	3-H1	6'-0 1/4"	4-H2	13'-8 1/8"
		2-H1	2'-8 1/2"	3-H2	10'-6"	4-H3	9'-2 1/8"
1-H1	9'-2 1/8"	2-H2	2'-8 1/2"	3-H3	2'-8 1/2"	4-H4	1'-1 1/4"
1-H2	13'-8 1/8"	2-H3	10'-6"	3-H4	6'-0 1/4"		11'-8 1/4"
			13'-1 1/4"		13'-1 1/4"		
PANEL TO PANEL POINTS		1-S1		2-S2		4-C1	
POINTS	DISTANCE						
		1-S2	6'-11 1/4"	3-C1	18'-6"	4-C2	18'-6 1/4"
		2-C1	14'	3-C2	12'-1 1/2"	4-I	12'-1 1/2"
1-C1	18'-6 1/4"	2-C2	12'-1 1/2"	3-I	18'-6 1/4"	4-J	13'-11 1/4"
1-C2	12'-1 1/2"	2-I	18'-6 1/4"	3-J	18'-0 1/8"	4-K	11'-7 5/8"
1-I	5'-9 7/8"	2-J	12'-9 5/8"	3-K	12'-11 1/4"	4-L	1'-4"
1-J	1'-4"	2-K	5'-9 7/8"	3-L	5'-9 7/8"	4-M	5'-9 7/8"
1-K	11'-7 5/8"	2-L	12'-11 1/4"	3-M	12'-9 5/8"	4-N	12'-5 7/8"
1-L	13'-11 1/4"	2-M	18'-0 1/8"	3-N	5'-6 1/8"	4-O	17'-1 7/8"
1-M	17'-10 1/4"	2-N	13'-10 3/4"	3-O	10'-4 1/4"	4-P	19'-1 1/4"
1-N	19'-1 1/4"	2-O	13'-4"	3-P	13'-4"	4-S1	17'-10 1/4"
1-O	17'-1 7/8"	2-P	10'-4 1/4"	3-S1	13'-10 3/4"	4-S2	14'
1-P	12'-5 7/8"	2-S1	5'-6 1/8"	3-S2	18'-6"		6'-11 1/4"
			13'-11 1/4"		13'-11 1/4"		
BOX POINTS		A-H4		B-S1		D-C1	
POINTS	DISTANCE						
		A-S1	20'-9"	B-S2	24'-5 1/2"	D-C2	28'-10 3/8"
A-B	14'	A-S2	27'-8 3/4"	C-C1	27'-8 3/4"	D-F	7'
A-C	31'-3 5/8"	B-C	24'-5 1/2"	C-C2	28'-10 3/8"	D-G	9'-10 3/4"
A-C1	7'	B-C1	28'	C-D	7'	D-H	23'-8 3/8"
A-C2	28'-10 3/8"	B-C2	7'	C-E	14'	D-I	22'-1 5/8"
A-D	28'	B-D	28'-10 3/8"	C-F	9'-10 3/4"	D-J	14'-10 7/8"
A-E	22'-1 5/8"	B-E	31'-3 5/8"	C-G	14'-10 7/8"	D-K	22'-6 1/8"
A-F	23'-8 3/8"	B-F	22'-1 5/8"	C-H	22'-1 5/8"	D-L	19'-8 3/8"
A-G	9'-10 3/4"	B-G	14'-10 7/8"	C-I	23'-8 3/8"	D-M	11'-7"
A-H	14'-10 7/8"	B-H	9'-10 3/4"	C-H1	19'-8 3/8"	D-N	17'-0 5/8"
A-H1	14'-1 1/8"	B-H1	23'-8 3/8"	C-H2	22'-6 1/8"	D-O	13'-6 7/8"
A-H2	8'-11 1/4"	B-H2	8'-11 1/4"	C-H3	17'-0 5/8"	D-S2	3'-8 1/8"
A-H3	16'-6 3/4"	B-H3	14'-1 1/8"	C-H4	11'-7"		
		B-H4	20'-9"	C-S1	3'-8 1/8"		
			16'-6 3/4"	C-S2	13'-6 7/8"		

<b>Date:</b> 5/10/2022	<b>Perimeter:</b> 73'-3 5/8"	 cardinalpools.com
<b>Drawn By:</b> JESSE H	<b>Area:</b> 323.7 SQ. FT.	
<b>Scale:</b> 1/8" = 1'-0"	<b>Notes:</b> - - - -	
This information is the confidential property of Cardinal Systems, Inc. Disclosure or duplication without proper written approval is strictly prohibited. Acceptance and use of this drawing constitutes knowledge and acceptance by the user of the terms and conditions set forth in the notice and warning which accompanied this drawing is incorporated herein and made part hereof and is found on Cardinal Systems, Inc's website at www.CardinalSystemsInc.com		



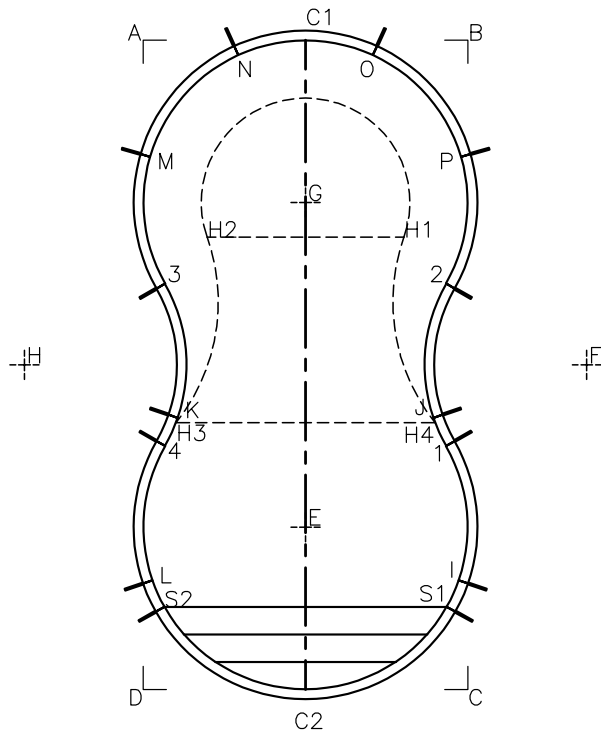
**Pool Size:** 14' X 28'

**Pool Shape:** FIGURE 8

**Pool Number:** 1428FIG8 (STEEL)

**Approx Gal:** 10,318

250 Route 61 South, Schuylkill Haven, PA 17972 • 570-385-4733 • fax: 570-385-1318 • CustomerService@CardinalSystemsInc.com



**Date:** 5/10/2022

**Perimeter:** 73'-3 5/8"

**Drawn By:** JESSE H

**Area:** 323.7 SQ. FT.

**Scale:** 1/8" = 1'-0"

**Notes:** - - - -



cardinalpools.com

This information is the confidential property of Cardinal Systems, Inc. Disclosure or duplication without proper written approval is strictly prohibited. Acceptance and use of this drawing constitutes knowledge and acceptance by the user of the terms and conditions set forth in the notice and warning which accompanied this drawing is incorporated herein and made part hereof and is found on Cardinal Systems, Inc's website at www.CardinalSystemsInc.com



**Pool Size:** 16' X 32'

**Pool Shape:** FIGURE 8

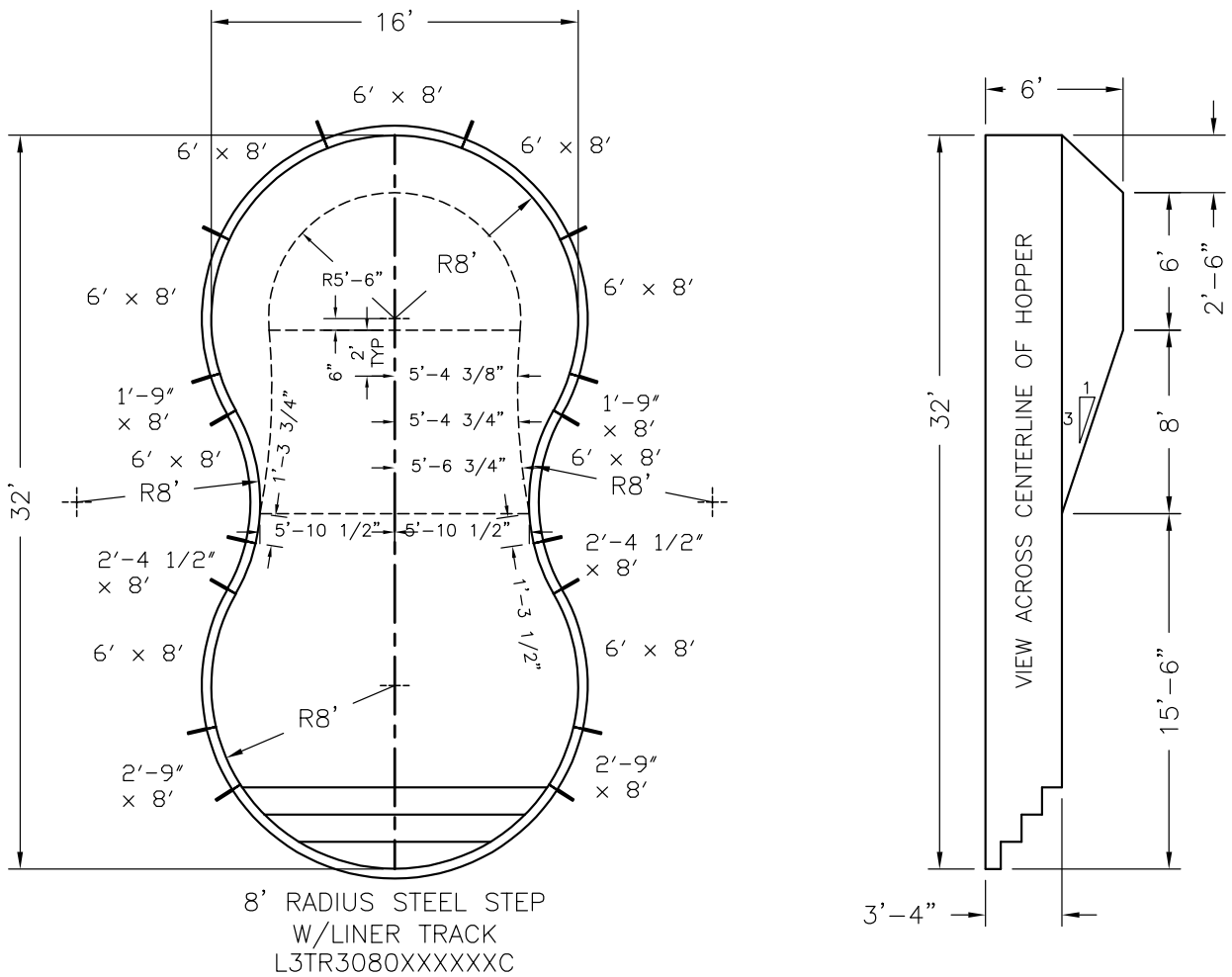
**Approx Gal:** 13,477

**Pool Number:** 1632FIG8 (STEEL)

250 Route 61 South, Schuylkill Haven, PA 17972 • 570-385-4733 • fax: 570-385-1318 • CustomerService@CardinalSystemsinc.com

Bill of Materials

PART NO.	QUANTITY	DESCRIPTION
"A" FRAME	16	"A" FRAME ASSEMBLY
L3TR3080XXXXXXC	1	8' RADIUS STEEL STEP W/LINER TRACK
5C42190XX08000	2	1'-9" x 8' Radius C PANEL W/0 Z
5C42290XX08000	2	2'-9" x 8' Radius C PANEL W/0 Z
5C42600XX08000	7	6' x 8' Radius C PANEL W/0 Z
5R42244XX08000	2	2'-4 1/2" x 8' Radius R PANEL W/0 Z
5R42600XX08000	2	6' x 8' Radius R PANEL W/0 Z



NOTE: THIS IS A NON DIVING POOL.

<b>Date:</b> 5/10/2022	<b>Perimeter:</b> 83'-9 1/4"	
<b>Drawn By:</b> JESSE H	<b>Area:</b> 422.8 SQ. FT.	
<b>Scale:</b> 1/8" = 1'-0"	<b>Notes:</b> -----	

This information is the confidential property of Cardinal Systems, Inc. Disclosure or duplication without proper written approval is strictly prohibited. Acceptance and use of this drawing constitutes knowledge and acceptance by the user of the terms and conditions set forth in the notice and warning which accompanied this drawing is incorporated herein and made part hereof and is found on Cardinal Systems, Inc's website at www.CardinalSystemsInc.com



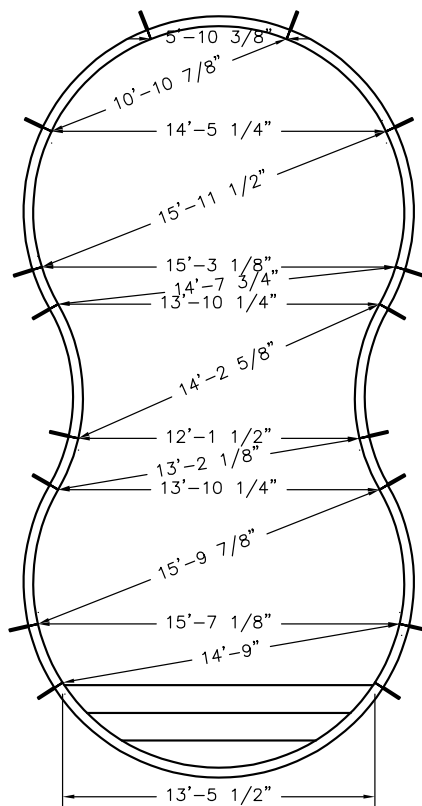
**Pool Size:** 16' X 32'

**Pool Shape:** FIGURE 8

**Approx Gal:** 13,477

**Pool Number:** 1632FIG8 (STEEL)

250 Route 61 South, Schuylkill Haven, PA 17972 • 570-385-4733 • fax: 570-385-1318 • CustomerService@CardinalSystemsInc.com



**Date:** 5/10/2022

**Perimeter:** 83'-9 1/4"

**Drawn By:** JESSE H

**Area:** 422.8 SQ. FT.

**Scale:** 1/8" = 1'-0"

**Notes:** - - - -



cardinalpools.com

This information is the confidential property of Cardinal Systems, Inc. Disclosure or duplication without proper written approval is strictly prohibited. Acceptance and use of this drawing constitutes knowledge and acceptance by the user of the terms and conditions set forth in the notice and warning which accompanied this drawing is incorporated herein and made part hereof and is found on Cardinal Systems, Inc's website at www.CardinalSystemsInc.com



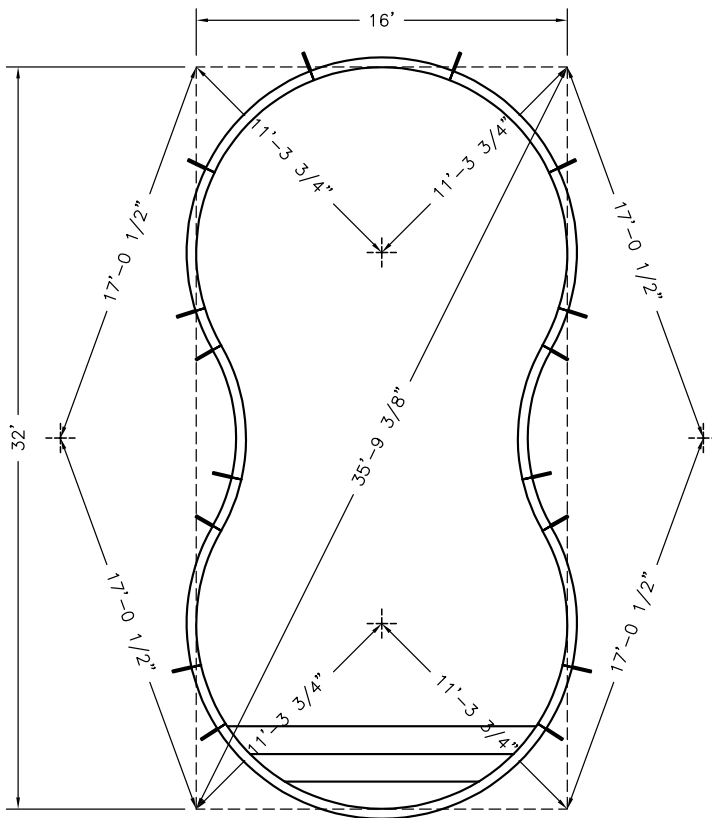
**Pool Size:** 16' X 32'

**Pool Shape:** FIGURE 8

**Approx Gal:** 13,477

**Pool Number:** 1632FIG8 (STEEL)

250 Route 61 South, Schuylkill Haven, PA 17972 • 570-385-4733 • fax: 570-385-1318 • CustomerService@CardinalSystemsinc.com



**Date:** 5/10/2022

**Perimeter:** 83'-9 1/4"

**Drawn By:** JESSE H

**Area:** 422.8 SQ. FT.

**Scale:** 1/8" = 1'-0"

**Notes:** -----



cardinalpools.com

This information is the confidential property of Cardinal Systems, Inc. Disclosure or duplication without proper written approval is strictly prohibited. Acceptance and use of this drawing constitutes knowledge and acceptance by the user of the terms and conditions set forth in the notice and warning which accompanied this drawing is incorporated herein and made part hereof and is found on Cardinal Systems, Inc's website at www.CardinalSystemsInc.com





**Pool Size:** 16' X 32'

**Pool Shape:** FIGURE 8

**Approx Gal:** 13,477

**Pool Number:** 1632FIG8 (STEEL)

250 Route 61 South, Schuylkill Haven, PA 17972 • 570-385-4733 • fax: 570-385-1318 • CustomerService@CardinalSystemsinc.com

HOPPER DIG POINTS		E-H	16'	E-H2	16'-5 1/4"	G-H3	10'-4"
POINTS	DISTANCE	F-G	16'	E-H3	9'-6 1/4"	G-H4	10'-4"
		F-H	27'-8 1/2"	E-H4	9'-6 1/4"		
E-F	16'	G-H	16'	G-H1	5'-6"		
E-G	16'	E-H1	16'-5 1/4"	G-H2	5'-6"		
PANEL TO HOPPER POINTS		1-H3	3'-7 7/8"	2-H4	13'-6 7/8"	4-H1	11'-7 1/8"
POINTS	DISTANCE	1-H4	13'-3 1/4"	3-H1	3'-9 1/2"	4-H2	16'-11"
		2-H1	12'-10 5/8"	3-H2	12'-10 5/8"	4-H3	13'-3 1/4"
1-H1	16'-11"	2-H2	3'-9 1/2"	3-H3	13'-6 7/8"	4-H4	3'-7 7/8"
1-H2	11'-7 1/8"	2-H3	4'-7 1/2"	3-H4	4'-7 1/2"		
PANEL TO PANEL POINTS		1-S1	8'-3 7/8"	2-S2	21'-3 3/8"	4-C1	21'-2"
POINTS	DISTANCE	1-S2	16'	3-C1	13'-10 1/4"	4-C2	13'-10 1/4"
		2-C1	13'-10 1/4"	3-C2	21'-2"	4-I	15'-9 7/8"
1-C1	21'-2"	2-C2	21'-2"	3-I	20'-2 1/8"	4-J	13'-2 1/8"
1-C2	13'-10 1/4"	2-I	13'-9 7/8"	3-J	14'-2 5/8"	4-K	17'-5 3/8"
1-I	5'-10 3/8"	2-J	5'-10 3/8"	3-K	14'-7 3/4"	4-L	20'-11 3/8"
1-J	2'-4 3/8"	2-K	1'-9"	3-L	15'-11 7/8"	4-M	21'-9 5/8"
1-K	9'-7 1/2"	2-L	7'-5 1/2"	3-M	15'-1 1/4"	4-N	19'-10 1/4"
1-L	15'-5 3/8"	2-M	12'-1 1/2"	3-N	12'-1 1/2"	4-O	15'-5 3/8"
1-M	19'-10 1/4"	2-N	15'-1 1/4"	3-O	7'-5 1/2"	4-P	9'-7 1/2"
1-N	21'-9 5/8"	2-O	15'-11 7/8"	3-P	1'-9"	4-Q	2'-4 3/8"
1-O	20'-11 3/8"	2-P	14'-7 3/4"	3-Q	5'-10 3/8"	4-R	5'-10 3/8"
1-P	17'-5 3/8"	2-Q	14'-2 5/8"	3-R	13'-9 7/8"	4-S1	16'
1-Q	13'-2 1/8"	2-R	20'-2 1/8"	3-S1	21'-3 3/8"	4-S2	8'-3 7/8"
1-R	15'-9 7/8"	2-S1	16'-3 7/8"	3-S2	16'-3 7/8"		
BOX POINTS		A-H4	21'-6 5/8"	B-S1	31'-11 1/8"	D-C1	32'-11 7/8"
POINTS	DISTANCE	A-S1	28'-4 1/4"	B-S2	28'-4 1/4"	D-C2	8'
		A-S2	31'-11 1/8"	C-C1	32'-11 7/8"	D-E	11'-3 3/4"
A-B	16'	B-C	32'	C-C2	8'	D-F	17'-0 1/2"
A-C	35'-9 3/8"	B-C1	8'	C-D	16'	D-G	25'-3 5/8"
A-C1	8'	B-C2	32'-11 7/8"	C-E	11'-3 3/4"	D-H	27'-1"
A-C2	32'-11 7/8"	B-D	35'-9 3/8"	C-F	27'-1"	D-H1	27'-1 1/8"
A-D	32'	B-E	25'-3 5/8"	C-G	25'-3 5/8"	D-H2	23'-7 5/8"
A-E	25'-3 5/8"	B-F	27'-1"	C-H	17'-0 1/2"	D-H3	15'-7 3/4"
A-F	17'-0 1/2"	B-G	11'-3 3/4"	C-H1	23'-7 5/8"	D-H4	20'-9 5/8"
A-G	11'-3 3/4"	B-H	17'-0 1/2"	C-H2	27'-1 1/8"	D-S1	3'-10 5/8"
A-H	27'-1"	B-H1	8'-10 3/8"	C-H3	20'-9 5/8"	D-S2	15'-2 1/4"
A-H1	15'-11 1/4"	B-H2	15'-11 1/4"	C-H4	15'-7 3/4"		
A-H2	8'-10 3/8"	B-H3	21'-6 5/8"	C-S1	15'-2 1/4"		
A-H3	16'-7 5/8"	B-H4	16'-7 5/8"	C-S2	3'-10 5/8"		

**Date:** 5/10/2022

**Perimeter:** 83'-9 1/4"

**Drawn By:** JESSE H

**Area:** 422.8 SQ. FT.

**Scale:** 1/8" = 1'-0"

**Notes:** - - - -



cardinalpools.com

This information is the confidential property of Cardinal Systems, Inc. Disclosure or duplication without proper written approval is strictly prohibited. Acceptance and use of this drawing constitutes knowledge and acceptance by the user of the terms and conditions set forth in the notice and warning which accompanied this drawing is incorporated herein and made part hereof and is found on Cardinal Systems, Inc's website at www.CardinalSystemsInc.com



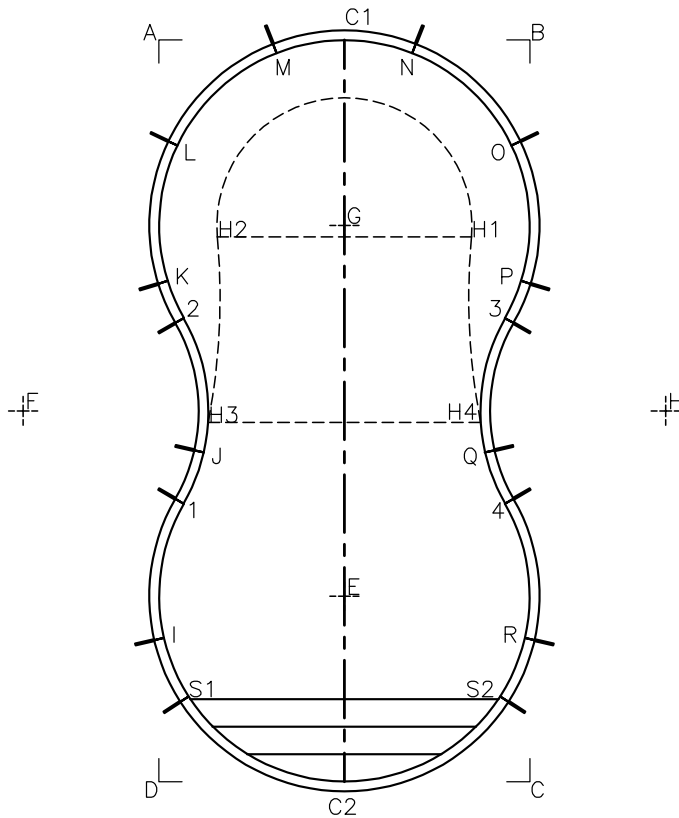
**Pool Size:** 16' X 32'

**Pool Shape:** FIGURE 8

**Approx Gal:** 13,477

**Pool Number:** 1632FIG8 (STEEL)

250 Route 61 South, Schuylkill Haven, PA 17972 • 570-385-4733 • fax: 570-385-1318 • CustomerService@CardinalSystemsinc.com



**Date:** 5/10/2022

**Perimeter:** 83' - 9 1/4"

**Drawn By:** JESSE H

**Area:** 422.8 SQ. FT.

**Scale:** 1/8" = 1'-0"

**Notes:** - - - -



cardinalpools.com

This information is the confidential property of Cardinal Systems, Inc. Disclosure or duplication without proper written approval is strictly prohibited. Acceptance and use of this drawing constitutes knowledge and acceptance by the user of the terms and conditions set forth in the notice and warning which accompanied this drawing is incorporated herein and made part hereof and is found on Cardinal Systems, Inc's website at www.CardinalSystemsInc.com



**Pool Size:** 18' X 36'

**Pool Shape:** FIGURE 8

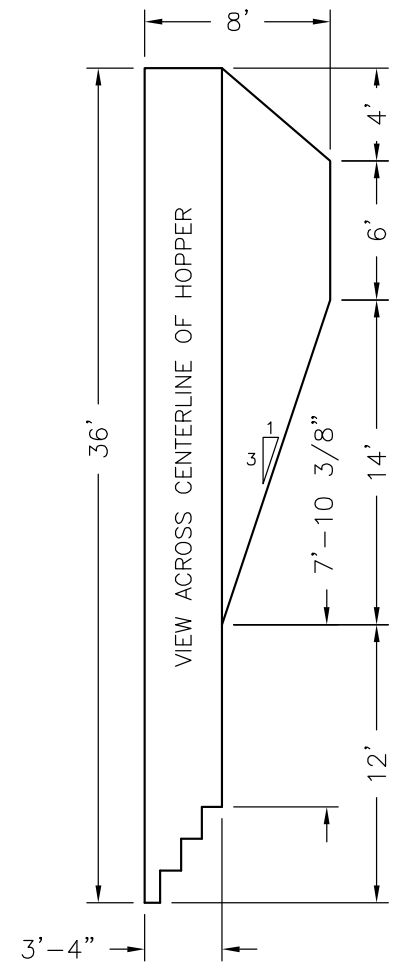
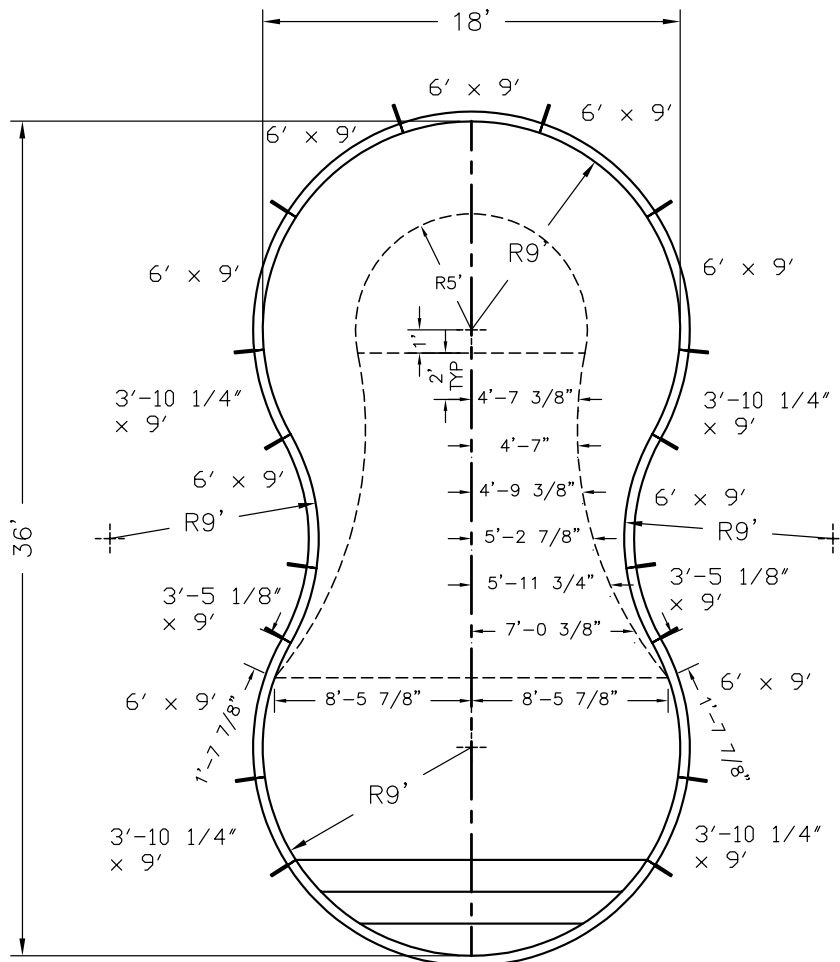
**Approx Gal:** 19,465

**Pool Number:** 1836FIG8 (STEEL)

250 Route 61 South, Schuylkill Haven, PA 17972 • 570-385-4733 • fax: 570-385-1318 • CustomerService@CardinalSystemsinc.com

Bill of Materials

PART NO.	QUANTITY	DESCRIPTION
"A" FRAME	16	"A" FRAME ASSEMBLY
L3TR3090XXXXXC	1	9' RADIUS STEEL STEP W/LINER TRACK
5C423T2XX09000	4	3'-10 1/4" x 9' Radius C PANEL W/0 Z
5C42600XX09000	7	6' x 9' Radius C PANEL W/0 Z
5R42351XX09000	2	3'-5 1/8" x 9' Radius R PANEL W/0 Z
5R42600XX09000	2	6' x 9' Radius R PANEL W/0 Z



9' RADIUS STEEL STEP  
W/LINER TRACK  
L3TR3090XXXXXC

**Date:** 5/10/2022

**Perimeter:** 94'-3"

**Drawn By:** JESSE H

**Area:** 535.1 SQ. FT.

**Scale:** 1/8" = 1'-0"

**Notes:** - - - -



cardinalpools.com

This information is the confidential property of Cardinal Systems, Inc. Disclosure or duplication without proper written approval is strictly prohibited. Acceptance and use of this drawing constitutes knowledge and acceptance by the user of the terms and conditions set forth in the notice and warning which accompanied this drawing is incorporated herein and made part hereof and is found on Cardinal Systems, Inc's website at www.CardinalSystemsInc.com



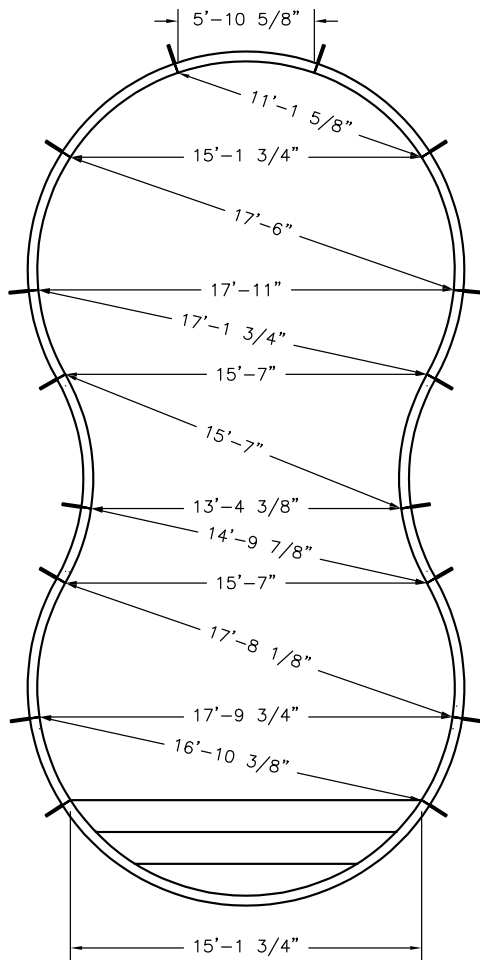
**Pool Size:** 18' X 36'

**Pool Shape:** FIGURE 8

**Pool Number:** 1836FIG8 (STEEL)

**Approx Gal:** 19,465

250 Route 61 South, Schuylkill Haven, PA 17972 • 570-385-4733 • fax: 570-385-1318 • CustomerService@CardinalSystemsinc.com



**Date:** 5/10/2022

**Drawn By:** JESSE H

**Scale:** 1/8" = 1'-0"

**Perimeter:** 94'-3"

**Area:** 535.1 SQ. FT.

**Notes:** -----



cardinalpools.com

This information is the confidential property of Cardinal Systems, Inc. Disclosure or duplication without proper written approval is strictly prohibited. Acceptance and use of this drawing constitutes knowledge and acceptance by the user of the terms and conditions set forth in the notice and warning which accompanied this drawing is incorporated herein and made part hereof and is found on Cardinal Systems, Inc's website at www.CardinalSystemsInc.com



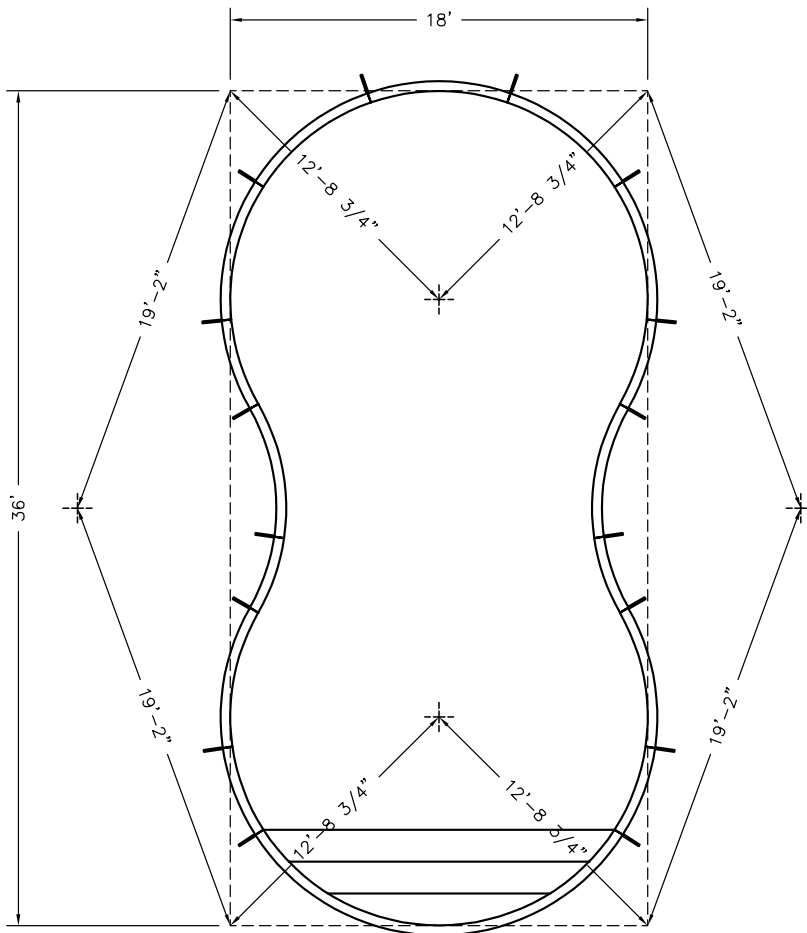
**Pool Size:** 18' X 36'

**Pool Shape:** FIGURE 8

**Pool Number:** 1836FIG8 (STEEL)

**Approx Gal:** 19,465

250 Route 61 South, Schuylkill Haven, PA 17972 • 570-385-4733 • fax: 570-385-1318 • CustomerService@CardinalSystemsinc.com



**Date:** 5/10/2022

**Drawn By:** JESSE H

**Scale:** 1/8" = 1'-0"

**Perimeter:** 94'-3"

**Area:** 535.1 SQ. FT.

**Notes:** - - - -



cardinalpools.com

This information is the confidential property of Cardinal Systems, Inc. Disclosure or duplication without proper written approval is strictly prohibited. Acceptance and use of this drawing constitutes knowledge and acceptance by the user of the terms and conditions set forth in the notice and warning which accompanied this drawing is incorporated herein and made part hereof and is found on Cardinal Systems, Inc's website at www.CardinalSystemsInc.com



**Pool Size:** 18' X 36'

**Pool Shape:** FIGURE 8

**Approx Gal:** 19,465

**Pool Number:** 1836FIG8 (STEEL)

250 Route 61 South, Schuylkill Haven, PA 17972 • 570-385-4733 • fax: 570-385-1318 • CustomerService@CardinalSystemsinc.com

HOPPER DIG POINTS		E-H	18'	E-H2	17'-8 1/4"	G-H3	17'-2 3/4"
POINTS	DISTANCE	F-G	18'	E-H3	9'	G-H4	17'-2 3/4"
E-F	18'	F-H	31'-2 1/8"	E-H4	9'		
E-G	18'	G-H	18'	G-H1	5'		
		E-H1	17'-8 1/4"	G-H2	5'		
PANEL TO HOPPER POINTS		1-H3	1'-7 7/8"	2-H4	19'-4 1/2"	4-H1	17'-9 3/4"
POINTS	DISTANCE	1-H4	16'-4 1/8"	3-H1	13'-2"	4-H2	12'-10"
1-H1	12'-10"	2-H1	4'-6 1/2"	3-H2	4'-6 1/2"	4-H3	16'-4 1/8"
1-H2	17'-9 3/4"	2-H2	13'-2"	3-H3	19'-4 1/2"	4-H4	1'-7 7/8"
		2-H3	10'-6 1/4"	3-H4	10'-6 1/4"		
PANEL TO PANEL POINTS		1-S1	9'-4 3/8"	2-S2	23'-11 3/8"	4-C1	23'-9 3/4"
POINTS	DISTANCE	1-S2	18'	3-C1	15'-7"	4-C2	15'-7"
1-C1	23'-9 3/4"	2-C1	15'-7"	3-C2	23'-9 3/4"	4-I	17'-8 1/8"
1-C2	15'-7"	2-C2	23'-9 3/4"	3-I	22'-3 5/8"	4-J	14'-9 7/8"
1-I	5'-10 5/8"	2-I	14'-9 7/8"	3-J	15'-7"	4-K	20'-11 7/8"
1-J	3'-4 7/8"	2-J	5'-10 5/8"	3-K	17'-1 3/4"	4-L	23'-11 3/8"
1-K	12'-8 1/4"	2-K	3'-9 7/8"	3-L	18'	4-M	24'-5 7/8"
1-L	18'-4 3/8"	2-L	9'-4 3/8"	3-M	16'-10 3/8"	4-N	22'-6 3/8"
1-M	22'-6 3/8"	2-M	13'-10 1/2"	3-N	13'-10 1/2"	4-O	18'-4 3/8"
1-N	24'-5 7/8"	2-N	16'-10 3/8"	3-O	9'-4 3/8"	4-P	12'-8 1/4"
1-O	23'-11 3/8"	2-O	18'	3-P	3'-9 7/8"	4-Q	3'-4 7/8"
1-P	20'-11 7/8"	2-P	17'-1 3/4"	3-Q	5'-10 5/8"	4-R	5'-10 5/8"
1-Q	14'-9 7/8"	2-Q	15'-7"	3-R	14'-9 7/8"	4-S1	18'
1-R	17'-8 1/8"	2-R	22'-3 5/8"	3-S1	23'-11 3/8"	4-S2	9'-4 3/8"
		2-S1	18'-4 3/8"	3-S2	18'-4 3/8"		
BOX POINTS		A-H4	24'-0 1/8"	B-S1	31'-10 3/4"	D-C1	37'-1 1/4"
POINTS	DISTANCE	A-S1	35'-11"	B-S2	35'-11"	D-C2	9'
A-B	18'	A-S2	31'-10 3/4"	C-C1	37'-1 1/4"	D-E	12'-8 3/4"
A-C	40'-3"	B-C	36'	C-C2	9'	D-F	30'-5 5/8"
A-C1	9'	B-C1	9'	C-D	18'	D-G	28'-5 1/2"
A-C2	37'-1 1/4"	B-C2	37'-1 1/4"	C-E	12'-8 3/4"	D-H	19'-2"
A-D	36'	B-D	40'-3"	C-F	19'-2"	D-H1	29'-5 3/4"
A-E	28'-5 1/2"	B-E	28'-5 1/2"	C-G	28'-5 1/2"	D-H2	26'-3 7/8"
A-F	30'-5 5/8"	B-F	19'-2"	C-H	30'-5 5/8"	D-H3	21'-2 1/2"
A-G	12'-8 3/4"	B-G	12'-8 3/4"	C-H1	26'-3 7/8"	D-H4	12'-0 1/8"
A-H	19'-2"	B-H	30'-5 5/8"	C-H2	29'-5 3/4"	D-S1	17'-1"
A-H1	17'-1 1/2"	B-H1	10'-9 3/4"	C-H3	12'-0 1/8"	D-S2	4'-4 1/2"
A-H2	10'-9 3/4"	B-H2	17'-1 1/2"	C-H4	21'-2 1/2"		
A-H3	29'-8 3/8"	B-H3	24'-0 1/8"	C-S1	4'-4 1/2"		
		B-H4	29'-8 3/8"	C-S2	17'-1"		

**Date:** 5/10/2022

**Perimeter:** 94'-3"

**Drawn By:** JESSE H

**Area:** 535.1 SQ. FT.

**Scale:** 1/8" = 1'-0"

**Notes:** - - - -



cardinalpools.com

This information is the confidential property of Cardinal Systems, Inc. Disclosure or duplication without proper written approval is strictly prohibited. Acceptance and use of this drawing constitutes knowledge and acceptance by the user of the terms and conditions set forth in the notice and warning which accompanied this drawing is incorporated herein and made part hereof and is found on Cardinal Systems, Inc's website at www.CardinalSystemsInc.com



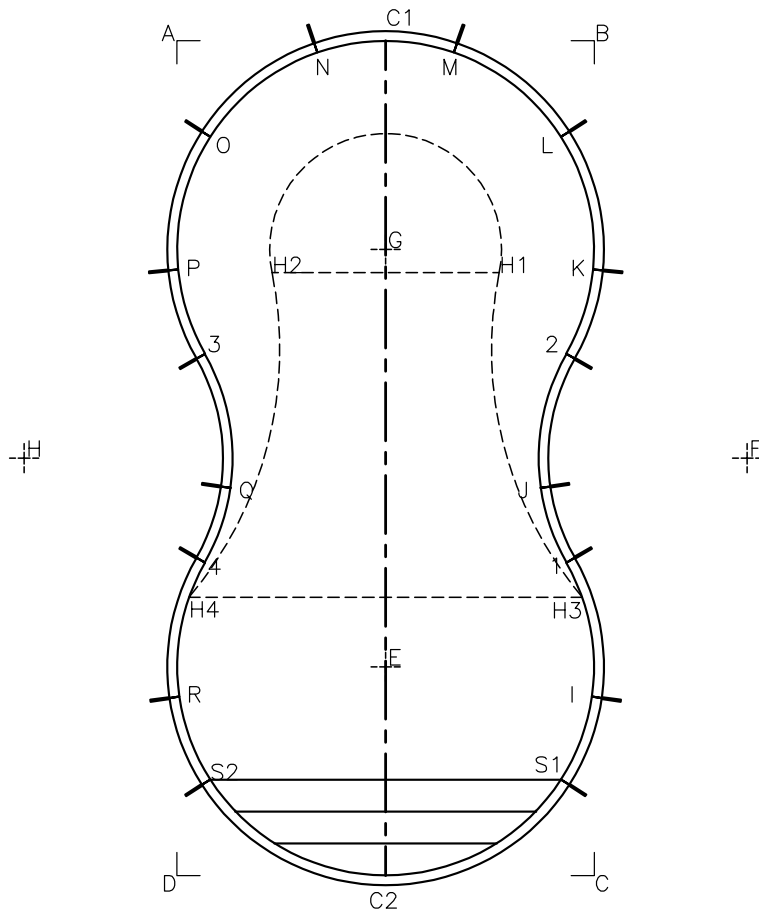
**Pool Size:** 18' X 36'

**Pool Shape:** FIGURE 8

**Pool Number:** 1836FIG8 (STEEL)

**Approx Gal:** 19,465

250 Route 61 South, Schuylkill Haven, PA 17972 • 570-385-4733 • fax: 570-385-1318 • CustomerService@CardinalSystemsInc.com



**Date:** 5/10/2022

**Perimeter:** 94'-3"

**Drawn By:** JESSE H

**Area:** 535.1 SQ. FT.

**Scale:** 1/8" = 1'-0"

**Notes:** - - - -



This information is the confidential property of Cardinal Systems, Inc. Disclosure or duplication without proper written approval is strictly prohibited. Acceptance and use of this drawing constitutes knowledge and acceptance by the user of the terms and conditions set forth in the notice and warning which accompanied this drawing is incorporated herein and made part hereof and is found on Cardinal Systems, Inc's website at [www.CardinalSystemsInc.com](http://www.CardinalSystemsInc.com)



**Pool Size:** 20' X 40'

**Pool Shape:** FIGURE 8

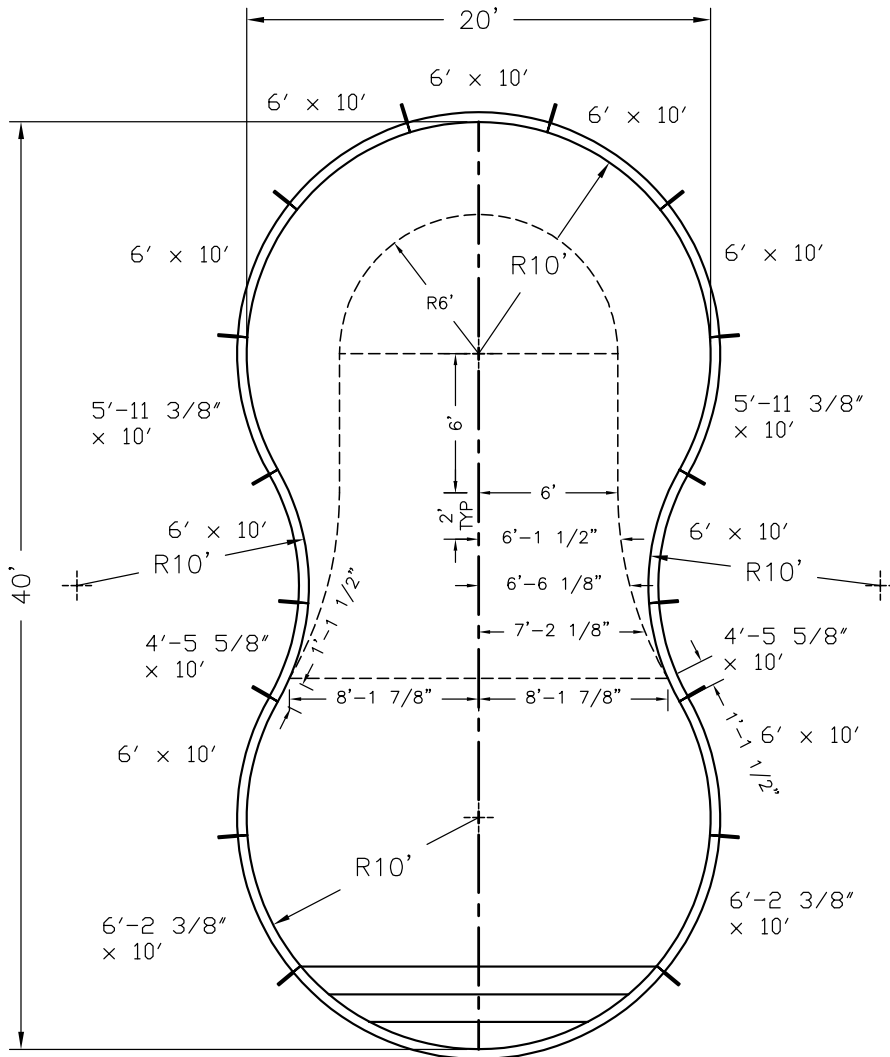
**Approx Gal:** 24,030

**Pool Number:** 2040FIG8 (STEEL)

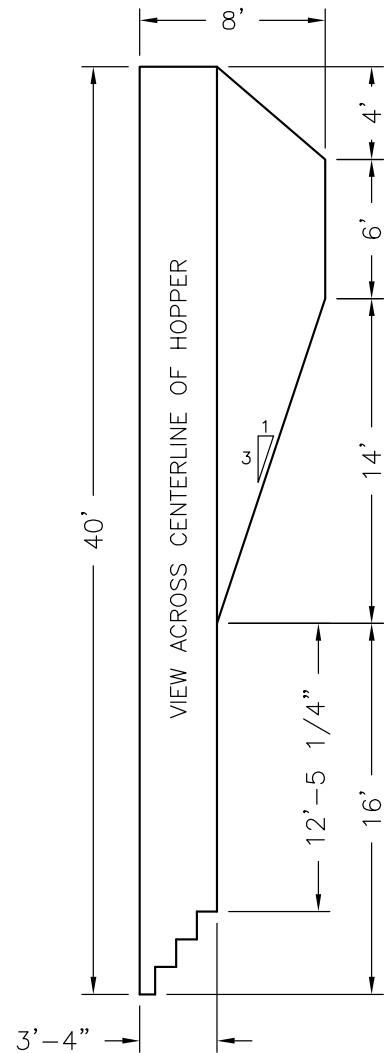
250 Route 61 South, Schuylkill Haven, PA 17972 • 570-385-4733 • fax: 570-385-1318 • CustomerService@CardinalSystemsinc.com

Bill of Materials

PART NO.	QUANTITY	DESCRIPTION
"A" FRAME	16	"A" FRAME ASSEMBLY
L3TR3100XXXXXXC	1	10' RADIUS STEEL STEP W/LINER TRACK
5C425E3XX10000	2	5'-11 3/8" x 10' Radius C PANEL W/O Z
5C42600XX10000	7	6' x 10' Radius C PANEL W/O Z
5C42623XX10000	2	6'-2 3/8" x 10' Radius C PANEL W/O Z
5R42455XX10000	2	4'-5 5/8" x 10' Radius R PANEL W/O Z
5R42600XX10000	2	6' x 10' Radius R PANEL W/O Z



10' RADIUS STEEL STEP  
W/LINER TRACK  
L3TR3100XXXXXXC



**Date:** 5/10/2022

**Perimeter:** 104'-8 5/8"

**Drawn By:** JESSE H

**Area:** 660.6 SQ. FT.

**Scale:** 1/8" = 1'-0"

**Notes:** -----



cardinalpools.com

This information is the confidential property of Cardinal Systems, Inc. Disclosure or duplication without proper written approval is strictly prohibited. Acceptance and use of this drawing constitutes knowledge and acceptance by the user of the terms and conditions set forth in the notice and warning which accompanied this drawing is incorporated herein and made part hereof and is found on Cardinal Systems, Inc's website at www.CardinalSystemsInc.com





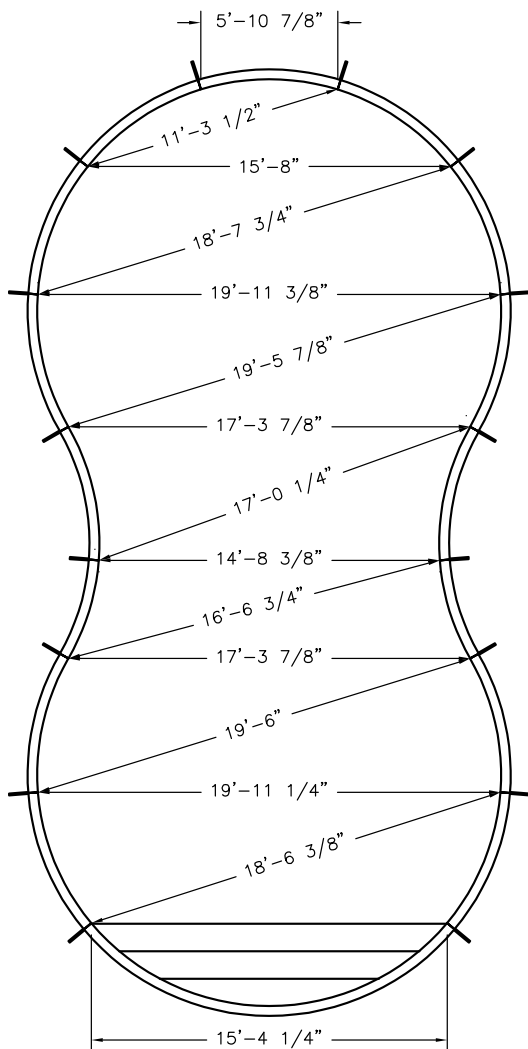
**Pool Size:** 20' X 40'

**Pool Shape:** FIGURE 8

**Approx Gal:** 24,030

**Pool Number:** 2040FIG8 (STEEL)

250 Route 61 South, Schuylkill Haven, PA 17972 • 570-385-4733 • fax: 570-385-1318 • CustomerService@CardinalSystemsinc.com



**Date:** 5/10/2022

**Perimeter:** 104'-8 5/8"

**Drawn By:** JESSE H

**Area:** 660.6 SQ. FT.

**Scale:** 1/8" = 1'-0"

**Notes:** - - - -



This information is the confidential property of Cardinal Systems, Inc. Disclosure or duplication without proper written approval is strictly prohibited. Acceptance and use of this drawing constitutes knowledge and acceptance by the user of the terms and conditions set forth in the notice and warning which accompanied this drawing is incorporated herein and made part hereof and is found on Cardinal Systems, Inc's website at www.CardinalSystemsInc.com



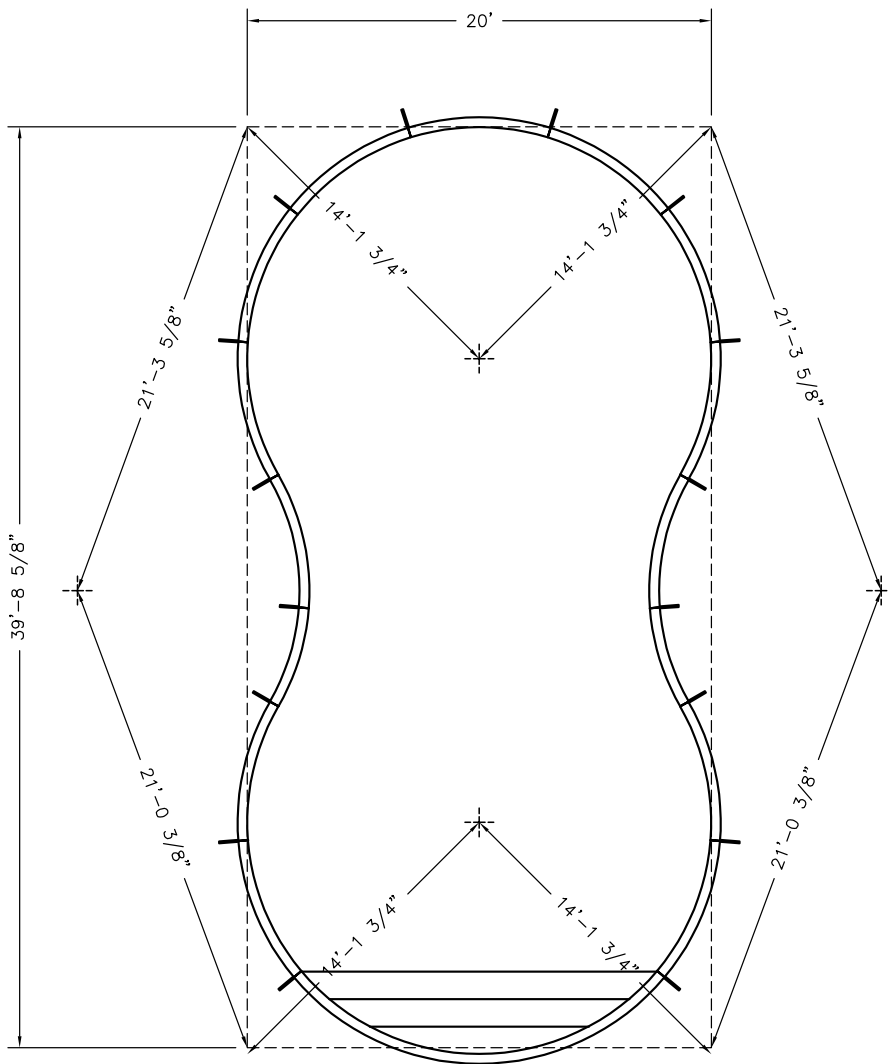
**Pool Size:** 20' X 40'

**Pool Shape:** FIGURE 8

**Approx Gal:** 24,030

**Pool Number:** 2040FIG8 (STEEL)

250 Route 61 South, Schuylkill Haven, PA 17972 • 570-385-4733 • fax: 570-385-1318 • CustomerService@CardinalSystemsinc.com



**Date:** 5/10/2022

**Perimeter:** 104'-8 5/8"

**Drawn By:** JESSE H

**Area:** 660.6 SQ. FT.

**Scale:** 1/8" = 1'-0"

**Notes:** -----



cardinalpools.com

This information is the confidential property of Cardinal Systems, Inc. Disclosure or duplication without proper written approval is strictly prohibited. Acceptance and use of this drawing constitutes knowledge and acceptance by the user of the terms and conditions set forth in the notice and warning which accompanied this drawing is incorporated herein and made part hereof and is found on Cardinal Systems, Inc's website at [www.CardinalSystemsInc.com](http://www.CardinalSystemsInc.com)



**Pool Size:** 20' X 40'

**Pool Shape:** FIGURE 8

**Approx Gal:** 24,030

**Pool Number:** 2040FIG8 (STEEL)

250 Route 61 South, Schuylkill Haven, PA 17972 • 570-385-4733 • fax: 570-385-1318 • CustomerService@CardinalSystemsinc.com

HOPPER DIG POINTS		F-G	20'	E-H4	10'-1 1/2"	G-H4	16'-2 3/8"
POINTS	DISTANCE	F-H	34'-7 3/4"	E-H5	15'-2 3/4"	G-H5	8'-5 7/8"
		G-H	20'	E-H6	15'-2 3/4"	G-H6	8'-5 7/8"
E-F	20'	E-H1	20'-10 5/8"	G-H1	6'		
E-G	20'	E-H2	20'-10 5/8"	G-H2	6'		
E-H	20'	E-H3	10'-1 1/2"	G-H3	16'-2 3/8"		
PANEL TO HOPPER POINTS		1-H5	9'-4 5/8"	2-H6	14'-8 3/8"	4-H1	15'-2 3/4"
POINTS	DISTANCE	1-H6	17'-2 3/8"	3-H1	5'-8"	4-H2	20'-11 3/4"
		2-H1	15'-5 7/8"	3-H2	15'-5 7/8"	4-H3	16'-10 1/8"
1-H1	20'-11 3/4"	2-H2	5'-8"	3-H3	19'-0 7/8"	4-H4	1'-1 1/2"
1-H2	15'-2 3/4"	2-H3	9'-0 1/8"	3-H4	9'-0 1/8"	4-H5	17'-2 3/8"
1-H3	1'-1 1/2"	2-H4	19'-0 7/8"	3-H5	14'-8 3/8"	4-H6	9'-4 5/8"
1-H4	16'-10 1/8"	2-H5	2'-10 1/8"	3-H6	2'-10 1/8"		
PANEL TO PANEL POINTS		1-S1	11'-5 3/8"	2-S2	26'-11 1/8"	4-C1	26'-5 1/2"
POINTS	DISTANCE	1-S2	19'-11 1/8"	3-C1	17'-3 7/8"	4-C2	17'-3 7/8"
		2-C1	17'-3 7/8"	3-C2	26'-5 1/2"	4-I	19'-6"
1-C1	26'-5 1/2"	2-C2	26'-5 1/2"	3-I	24'-4 7/8"	4-J	16'-6 3/4"
1-C2	17'-3 7/8"	2-I	15'-9 3/4"	3-J	17'-0 1/4"	4-K	24'-4 1/2"
1-I	5'-10 7/8"	2-J	5'-10 7/8"	3-K	19'-5 7/8"	4-L	26'-10 1/2"
1-J	4'-5 1/4"	2-K	5'-10 1/4"	3-L	19'-11 3/8"	4-M	27'-2"
1-K	15'-9 1/8"	2-L	11'-3"	3-M	18'-7 1/2"	4-N	25'-2 1/2"
1-L	21'-2 3/4"	2-M	15'-7 5/8"	3-N	15'-7 5/8"	4-O	21'-2 3/4"
1-M	25'-2 1/2"	2-N	18'-7 1/2"	3-O	11'-3"	4-P	15'-9 1/8"
1-N	27'-2"	2-O	19'-11 3/8"	3-P	5'-10 1/4"	4-Q	4'-5 1/4"
1-O	26'-10 1/2"	2-P	19'-5 7/8"	3-Q	5'-10 7/8"	4-R	5'-10 7/8"
1-P	24'-4 1/2"	2-Q	17'-0 1/4"	3-R	15'-9 3/4"	4-S1	19'-11 1/8"
1-Q	16'-6 3/4"	2-R	24'-4 7/8"	3-S1	26'-11 1/8"	4-S2	11'-5 3/8"
1-R	19'-6"	2-S1	21'-5 1/4"	3-S2	21'-5 1/4"		
BOX POINTS		A-H6	22'-7 1/2"	B-S1	40'-5 5/8"	D-C1	40'-11 1/2"
POINTS	DISTANCE	A-S1	36'-5 3/4"	B-S2	36'-5 3/4"	D-C2	10'
		A-S2	40'-5 5/8"	C-C1	40'-11 1/2"	D-E	13'-11 3/8"
A-B	20'	B-C	39'-8 5/8"	C-C2	10'	D-F	21'-0 3/8"
A-C	44'-5 5/8"	B-C1	10'	C-D	20'	D-G	31'-4 1/4"
A-C1	10'	B-C2	41'-2 3/4"	C-E	13'-11 3/8"	D-H	33'-8 3/8"
A-C2	41'-2 3/4"	B-D	44'-5 5/8"	C-F	33'-8 3/8"	D-H1	33'-9"
A-D	39'-8 5/8"	B-E	31'-7 1/2"	C-G	31'-4 1/4"	D-H2	29'-11 7/8"
A-E	31'-7 1/2"	B-F	33'-10 1/4"	C-H	21'-0 3/8"	D-H3	15'-9 7/8"
A-F	21'-3 5/8"	B-G	14'-1 3/4"	C-H1	29'-11 7/8"	D-H4	24'-0 1/8"
A-G	14'-1 3/4"	B-H	21'-3 5/8"	C-H2	33'-9"	D-H5	24'-0 5/8"
A-H	33'-10 1/4"	B-H1	10'-9 1/4"	C-H3	24'-0 1/8"	D-H6	28'-7 3/8"
A-H1	18'-10 3/8"	B-H2	18'-10 3/8"	C-H4	15'-9 7/8"	D-S1	4'-0 1/2"
A-H2	10'-9 1/4"	B-H3	30'-1 1/8"	C-H5	28'-7 3/8"	D-S2	17'-11 3/4"
A-H3	24'-0 7/8"	B-H4	24'-0 7/8"	C-H6	24'-0 5/8"		
A-H4	30'-1 1/8"	B-H5	22'-7 1/2"	C-S1	17'-11 3/4"		
A-H5	16'-5 7/8"	B-H6	16'-5 7/8"	C-S2	4'-0 1/2"		

**Date:** 5/10/2022

**Perimeter:** 104'-8 5/8"

**Drawn By:** JESSE H

**Area:** 660.6 SQ. FT.

**Scale:** 1/8" = 1'-0"

**Notes:** - - - -



cardinalpools.com

This information is the confidential property of Cardinal Systems, Inc. Disclosure or duplication without proper written approval is strictly prohibited. Acceptance and use of this drawing constitutes knowledge and acceptance by the user of the terms and conditions set forth in the notice and warning which accompanied this drawing is incorporated herein and made part hereof and is found on Cardinal Systems, Inc's website at www.CardinalSystemsInc.com



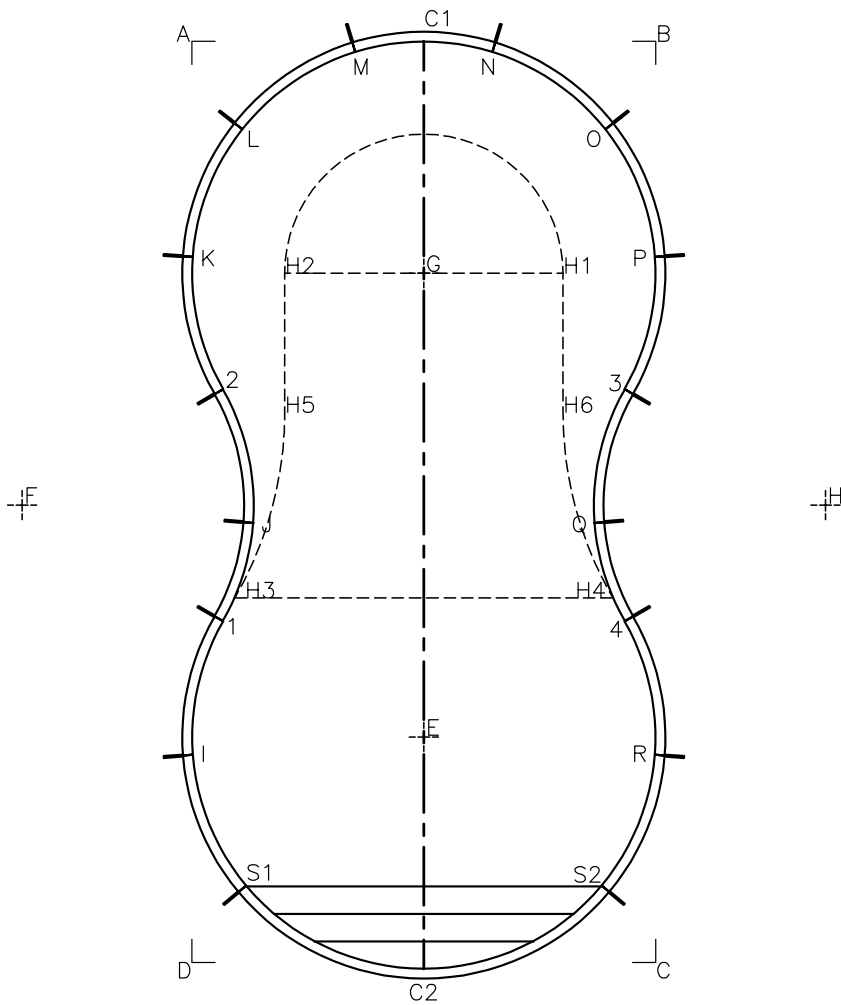
**Pool Size:** 20' X 40'

**Pool Shape:** FIGURE 8

**Approx Gal:** 24,030

**Pool Number:** 2040FIG8 (STEEL)

250 Route 61 South, Schuylkill Haven, PA 17972 • 570-385-4733 • fax: 570-385-1318 • CustomerService@CardinalSystemsinc.com



**Date:** 5/10/2022

**Perimeter:** 104'-8 5/8"

**Drawn By:** JESSE H

**Area:** 660.6 SQ. FT.

**Scale:** 1/8" = 1'-0"

**Notes:** -----



cardinalpools.com

This information is the confidential property of Cardinal Systems, Inc. Disclosure or duplication without proper written approval is strictly prohibited. Acceptance and use of this drawing constitutes knowledge and acceptance by the user of the terms and conditions set forth in the notice and warning which accompanied this drawing is incorporated herein and made part hereof and is found on Cardinal Systems, Inc's website at www.CardinalSystemsInc.com



**Pool Size:** 14' X 28'

**Pool Shape:** FIGURE 8

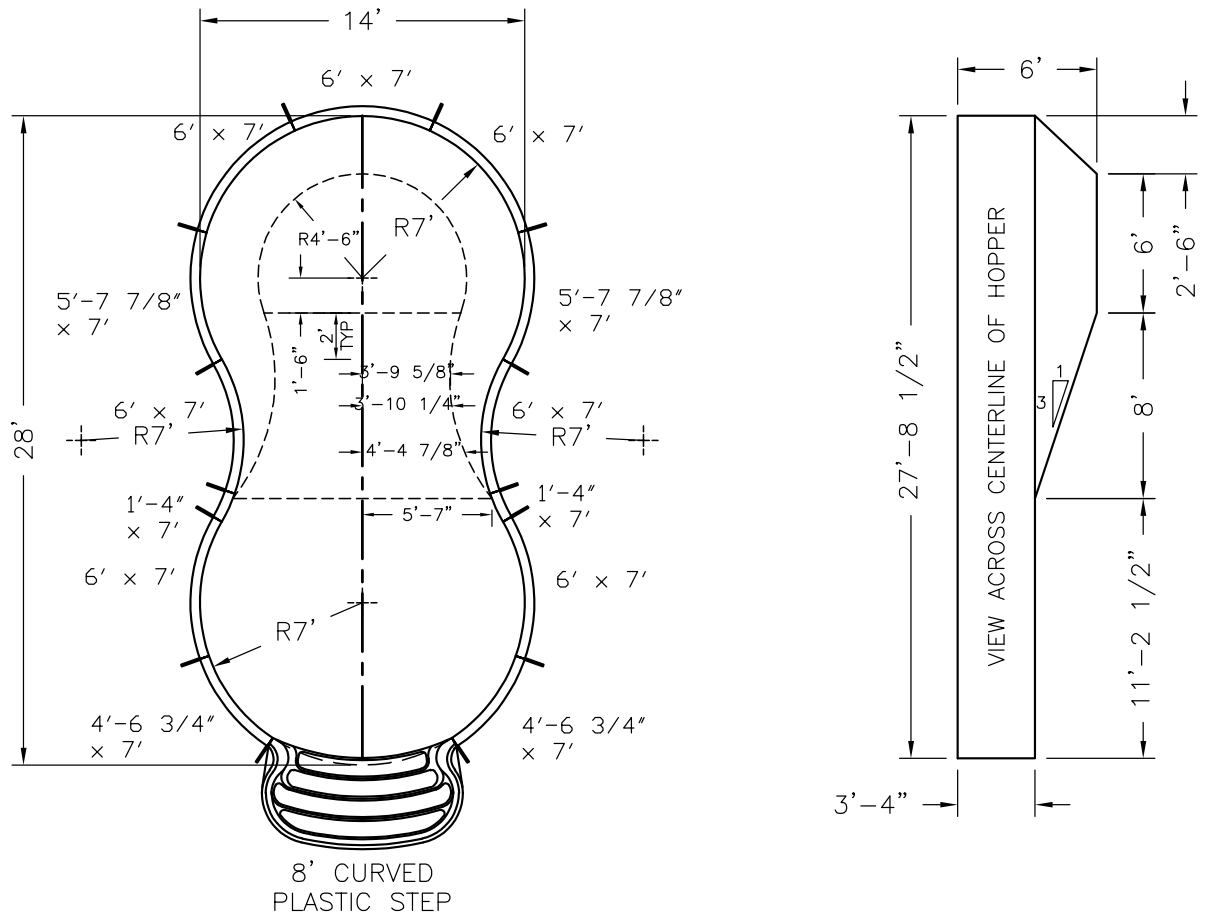
**Approx Gal:** 10,267

**Pool Number:** 1428FIG8 (PLASTIC)

250 Route 61 South, Schuylkill Haven, PA 17972 • 570-385-4733 • fax: 570-385-1318 • CustomerService@CardinalSystemsinc.com

Bill of Materials

PART NO.	QUANTITY	DESCRIPTION
"A" FRAME	14	"A" FRAME ASSEMBLY
5C42466XX07000	2	4'-6 3/4" x 7' Radius C PANEL W/O Z
5C42577XX07000	2	5'-7 7/8" x 7' Radius C PANEL W/O Z
5C42600XX07000	5	6' x 7' Radius C PANEL W/O Z
5R42140XX07000	2	1'-4" x 7' Radius R PANEL W/O Z
5R42600XX07000	2	6' x 7' Radius R PANEL W/O Z



NOTE: THIS IS A NON DIVING POOL.

<b>Date:</b> 5/10/2022	<b>Perimeter:</b> 73'-1 1/4"	
<b>Drawn By:</b> JESSE H	<b>Area:</b> 322.1 SQ. FT.	
<b>Scale:</b> 1/8" = 1'-0"	<b>Notes:</b> - - - -	

This information is the confidential property of Cardinal Systems, Inc. Disclosure or duplication without proper written approval is strictly prohibited. Acceptance and use of this drawing constitutes knowledge and acceptance by the user of the terms and conditions set forth in the notice and warning which accompanied this drawing is incorporated herein and made part hereof and is found on Cardinal Systems, Inc's website at www.CardinalSystemsInc.com



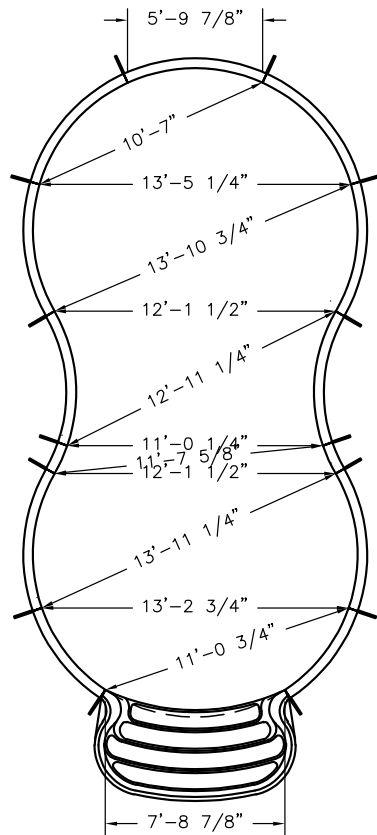
**Pool Size:** 14' X 28'


**Pool Shape:** FIGURE 8

**Approx Gal:** 10,267

**Pool Number:** 1428FIG8 (PLASTIC)

250 Route 61 South, Schuylkill Haven, PA 17972 • 570-385-4733 • fax: 570-385-1318 • CustomerService@CardinalSystemsinc.com



<b>Date:</b> 5/10/2022	<b>Perimeter:</b> 73'-1 1/4"	 cardinalpools.com
<b>Drawn By:</b> JESSE H	<b>Area:</b> 322.1 SQ. FT.	
<b>Scale:</b> 1/8" = 1'-0"	<b>Notes:</b> -----	

This information is the confidential property of Cardinal Systems, Inc. Disclosure or duplication without proper written approval is strictly prohibited. Acceptance and use of this drawing constitutes knowledge and acceptance by the user of the terms and conditions set forth in the notice and warning which accompanied this drawing is incorporated herein and made part hereof and is found on Cardinal Systems, Inc's website at [www.CardinalSystemsInc.com](http://www.CardinalSystemsInc.com)



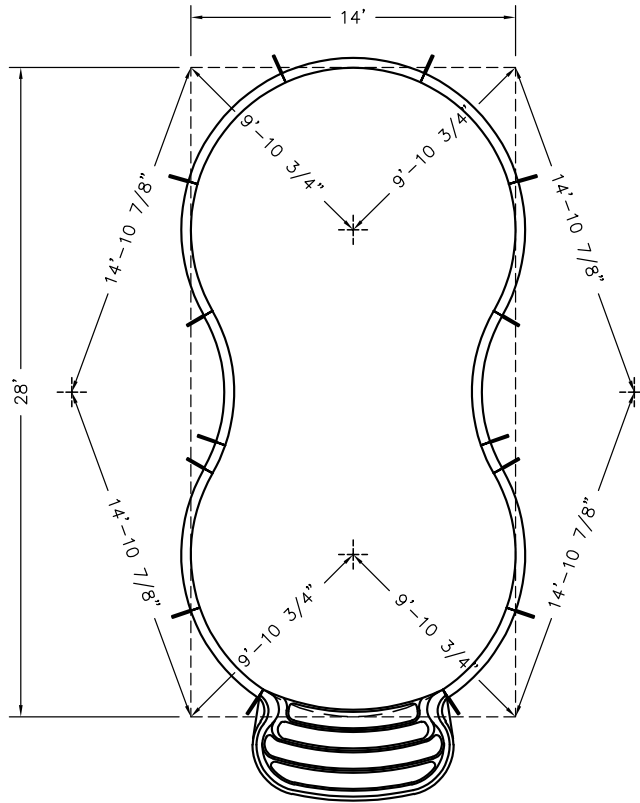
**Pool Size:** 14' X 28'

**Pool Shape:** FIGURE 8

**Approx Gal:** 10,267

**Pool Number:** 1428FIG8 (PLASTIC)

250 Route 61 South, Schuylkill Haven, PA 17972 • 570-385-4733 • fax: 570-385-1318 • CustomerService@CardinalSystemsinc.com



**Date:** 5/10/2022

**Perimeter:** 73'-1 1/4"

**Drawn By:** JESSE H

**Area:** 322.1 SQ. FT.

**Scale:** 1/8" = 1'-0"

**Notes:** -----



cardinalpools.com

This information is the confidential property of Cardinal Systems, Inc. Disclosure or duplication without proper written approval is strictly prohibited. Acceptance and use of this drawing constitutes knowledge and acceptance by the user of the terms and conditions set forth in the notice and warning which accompanied this drawing is incorporated herein and made part hereof and is found on Cardinal Systems, Inc's website at www.CardinalSystemsInc.com



**Pool Size:** 14' X 28'


**Pool Shape:** FIGURE 8

**Approx Gal:** 10,267

**Pool Number:** 1428FIG8 (PLASTIC)

250 Route 61 South, Schuylkill Haven, PA 17972 • 570-385-4733 • fax: 570-385-1318 • CustomerService@CardinalSystemsinc.com

HOPPER DIG POINTS		E-H		E-H2		G-H3	
POINTS	DISTANCE						
		F-G	14'	E-H3	13'-2 3/8"	G-H4	11'-0 1/4"
		F-H	24'-3"	E-H4	7'-2 1/8"		
E-F	14'	G-H	14'	G-H1	4'-6"		
E-G	14'	E-H1	13'-2 3/8"	G-H2	4'-6"		
PANEL TO HOPPER POINTS		1-H3		2-H4		4-H1	
POINTS	DISTANCE						
		1-H4	11'-8 1/4"	3-H1	13'-1 1/4"	4-H2	9'-2 1/8"
		2-H1	10'-6"	3-H2	10'-6"	4-H3	13'-8 1/8"
1-H1	13'-8 1/8"	2-H2	2'-8 1/2"	3-H3	13'-1 1/4"	4-H4	11'-8 1/4"
1-H2	9'-2 1/8"	2-H3	6'-0 1/4"	3-H4	6'-0 1/4"		1'-1 1/4"
PANEL TO PANEL POINTS		1-S1		2-S2		4-C1	
POINTS	DISTANCE						
		1-S2	9'-7"	3-C1	19'-1 3/8"	4-C2	18'-6 1/4"
		2-C1	13'-7 1/2"	3-C2	12'-1 1/2"	4-I	11'-10 1/2"
1-C1	18'-6 1/4"	2-C2	12'-1 1/2"	3-I	18'-2 7/8"	4-J	13'-11 1/4"
1-C2	11'-10 1/2"	2-I	18'-2 7/8"	3-J	18'-0 1/8"	4-K	11'-7 5/8"
1-I	5'-9 7/8"	2-J	12'-9 5/8"	3-K	12'-11 1/4"	4-L	1'-4"
1-J	1'-4"	2-K	5'-9 7/8"	3-L	12'-9 5/8"	4-M	5'-9 7/8"
1-K	11'-7 5/8"	2-L	12'-11 1/4"	3-M	12'-9 5/8"	4-N	12'-5 7/8"
1-L	13'-11 1/4"	2-M	18'-0 1/8"	3-N	5'-6 1/8"	4-O	17'-1 7/8"
1-M	17'-10 1/4"	2-N	13'-10 3/4"	3-O	10'-4 1/4"	4-P	19'-1 1/4"
1-N	19'-1 1/4"	2-O	13'-4"	3-P	13'-4"	4-S1	17'-10 1/4"
1-O	17'-1 7/8"	2-P	10'-4 1/4"	3-S1	13'-10 3/4"	4-S2	13'-7 1/2"
1-P	12'-5 7/8"	2-S1	5'-6 1/8"	3-S2	19'-1 3/8"		9'-7"
			16'-5 3/4"		16'-5 3/4"		
BOX POINTS		A-H4		B-S1		D-C1	
POINTS	DISTANCE						
		A-S1	20'-9"	B-S2	28'-11 3/8"	D-C2	28'-10 3/8"
		A-S2	27'-0 1/8"	C-C1	27'-0 1/8"	D-E	7'-0 1/8"
A-B	14'	B-C	28'-11 3/8"	C-C2	28'-10 3/8"	D-F	9'-10 3/4"
A-C	31'-3 5/8"	B-C1	28'	C-D	7'-0 1/8"	D-G	14'-10 7/8"
A-C1	7'	B-C2	7'	C-E	14'	D-H	22'-1 5/8"
A-C2	28'-6 7/8"	B-D	28'-6 7/8"	C-F	9'-10 3/4"	D-I	23'-8 3/8"
A-D	28'	B-E	31'-3 5/8"	C-G	23'-8 3/8"	D-H1	22'-6 1/8"
A-E	22'-1 5/8"	B-F	22'-1 5/8"	C-H	22'-1 5/8"	D-H2	19'-8 3/8"
A-F	14'-10 7/8"	B-G	23'-8 3/8"	C-I	14'-10 7/8"	D-H3	11'-7"
A-G	9'-10 3/4"	B-H	9'-10 3/4"	C-H1	19'-8 3/8"	D-H4	17'-0 5/8"
A-H	23'-8 3/8"	B-H1	14'-10 7/8"	C-H2	22'-6 1/8"	D-S1	3'-4 1/8"
A-H1	14'-1 1/8"	B-H2	8'-11 1/4"	C-H3	17'-0 5/8"	D-S2	10'-11 1/8"
A-H2	8'-11 1/4"	B-H3	14'-1 1/8"	C-H4	11'-7"		
A-H3	16'-6 3/4"	B-H4	20'-9"	C-S1	10'-11 1/8"		
			16'-6 3/4"	C-S2	3'-4 1/8"		

<b>Date:</b> 5/10/2022	<b>Perimeter:</b> 73'-1 1/4"	 cardinalpools.com
<b>Drawn By:</b> JESSE H	<b>Area:</b> 322.1 SQ. FT.	
<b>Scale:</b> 1/8" = 1'-0"	<b>Notes:</b> - - - -	
This information is the confidential property of Cardinal Systems, Inc. Disclosure or duplication without proper written approval is strictly prohibited. Acceptance and use of this drawing constitutes knowledge and acceptance by the user of the terms and conditions set forth in the notice and warning which accompanied this drawing is incorporated herein and made part hereof and is found on Cardinal Systems, Inc's website at www.CardinalSystemsInc.com		





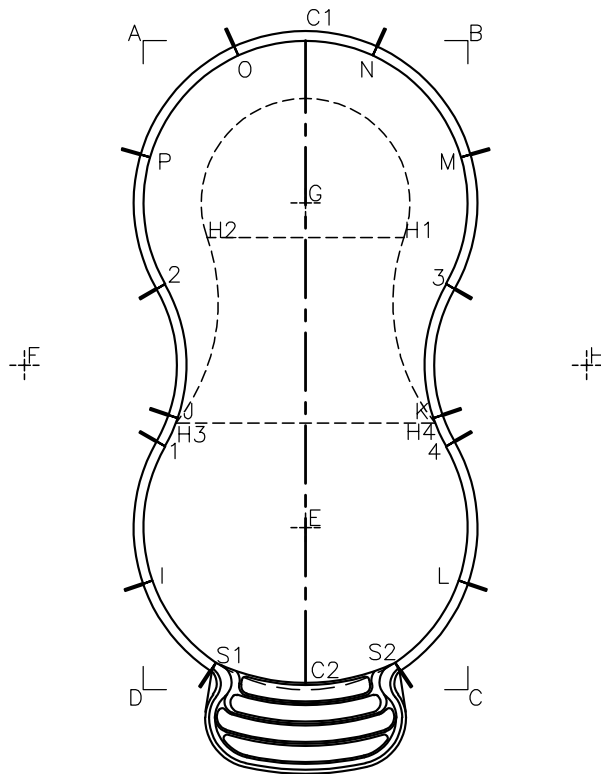
**Pool Size:** 14' X 28'

**Pool Shape:** FIGURE 8

**Approx Gal:** 10,267

**Pool Number:** 1428FIG8 (PLASTIC)

250 Route 61 South, Schuylkill Haven, PA 17972 • 570-385-4733 • fax: 570-385-1318 • CustomerService@CardinalSystemsinc.com



**Date:** 5/10/2022

**Perimeter:** 73'-1 1/4"

**Drawn By:** JESSE H

**Area:** 322.1 SQ. FT.

**Scale:** 1/8" = 1'-0"

**Notes:** - - - -



cardinalpools.com

This information is the confidential property of Cardinal Systems, Inc. Disclosure or duplication without proper written approval is strictly prohibited. Acceptance and use of this drawing constitutes knowledge and acceptance by the user of the terms and conditions set forth in the notice and warning which accompanied this drawing is incorporated herein and made part hereof and is found on Cardinal Systems, Inc's website at www.CardinalSystemsInc.com



**Pool Size:** 16' X 32'

**Pool Shape:** FIGURE 8

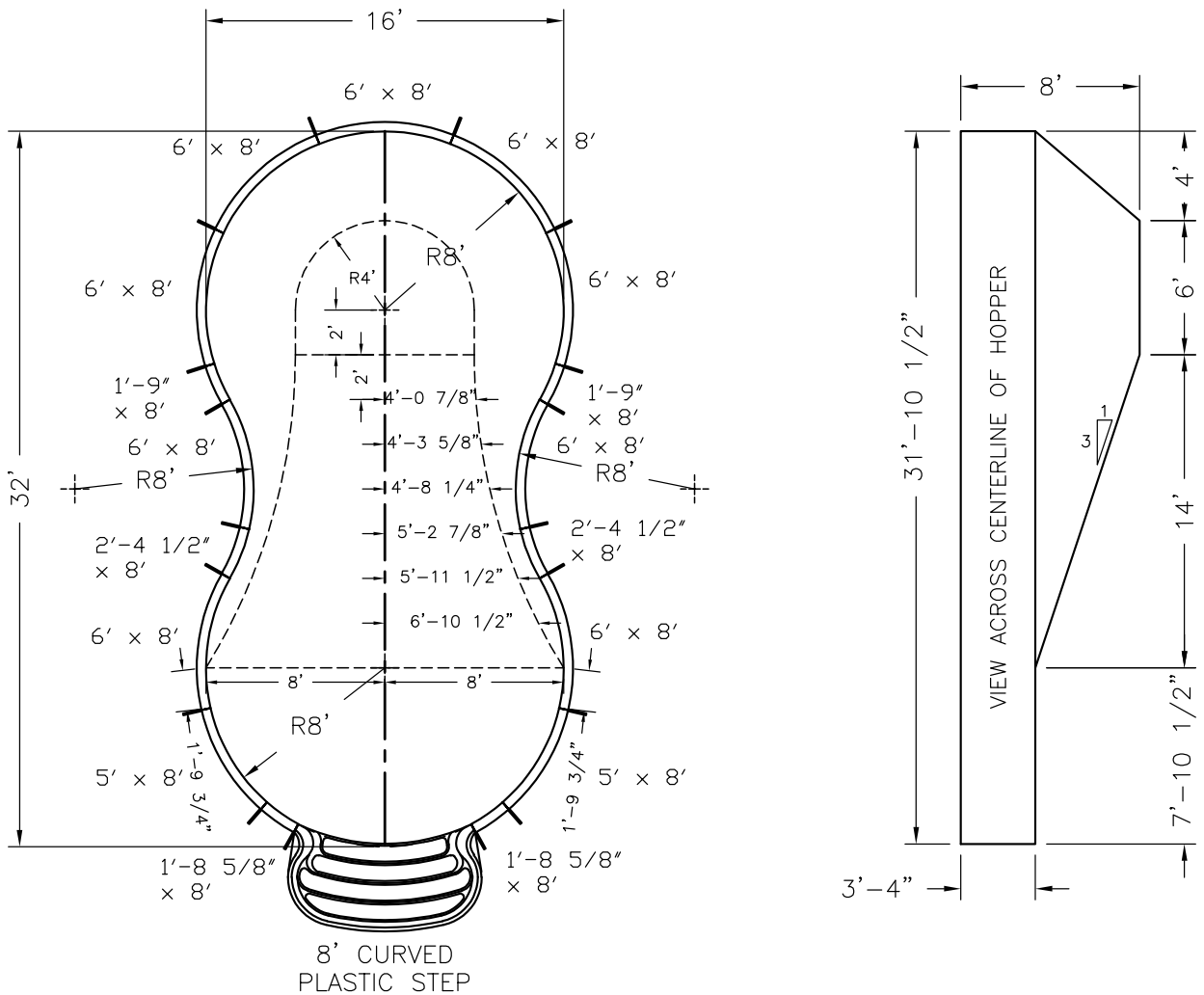
**Approx Gal:** 15,354

**Pool Number:** 1632FIG8 (PLASTIC)

250 Route 61 South, Schuylkill Haven, PA 17972 • 570-385-4733 • fax: 570-385-1318 • CustomerService@CardinalSystemsinc.com

Bill of Materials

PART NO.	QUANTITY	DESCRIPTION
"A" FRAME	18	"A" FRAME ASSEMBLY
5C42185XX08000	2	1'-8 5/8" x 8' Radius C PANEL W/O Z
5C42190XX08000	2	1'-9" x 8' Radius C PANEL W/O Z
5C42500XX08000	2	5' x 8' Radius C PANEL W/O Z
5C42600XX08000	7	6' x 8' Radius C PANEL W/O Z
5R42244XX08000	2	2'-4 1/2" x 8' Radius R PANEL W/O Z
5R42600XX08000	2	6' x 8' Radius R PANEL W/O Z



<b>Date:</b> 5/10/2022	<b>Perimeter:</b> 83'-8 3/8"	
<b>Drawn By:</b> JESSE H	<b>Area:</b> 422.1 SQ. FT.	
<b>Scale:</b> 1/8" = 1'-0"	<b>Notes:</b> -----	

This information is the confidential property of Cardinal Systems, Inc. Disclosure or duplication without proper written approval is strictly prohibited. Acceptance and use of this drawing constitutes knowledge and acceptance by the user of the terms and conditions set forth in the notice and warning which accompanied this drawing is incorporated herein and made part hereof and is found on Cardinal Systems, Inc's website at www.CardinalSystemsInc.com



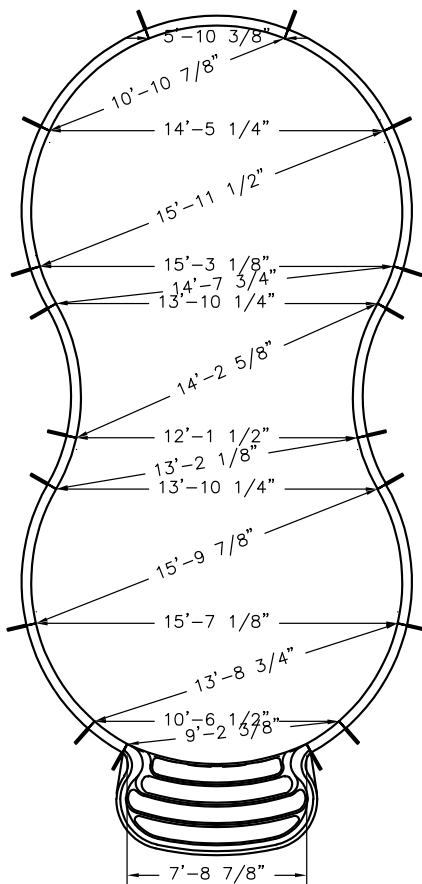
**Pool Size:** 16' X 32'

**Pool Shape:** FIGURE 8

**Approx Gal:** 15,354

**Pool Number:** 1632FIG8 (PLASTIC)

250 Route 61 South, Schuylkill Haven, PA 17972 • 570-385-4733 • fax: 570-385-1318 • CustomerService@CardinalSystemsinc.com



**Date:** 5/10/2022

**Perimeter:** 83'-8 3/8"

**Drawn By:** JESSE H

**Area:** 422.1 SQ. FT.

**Scale:** 1/8" = 1'-0"

**Notes:** - - - -



cardinalpools.com

This information is the confidential property of Cardinal Systems, Inc. Disclosure or duplication without proper written approval is strictly prohibited. Acceptance and use of this drawing constitutes knowledge and acceptance by the user of the terms and conditions set forth in the notice and warning which accompanied this drawing is incorporated herein and made part hereof and is found on Cardinal Systems, Inc's website at www.CardinalSystemsInc.com



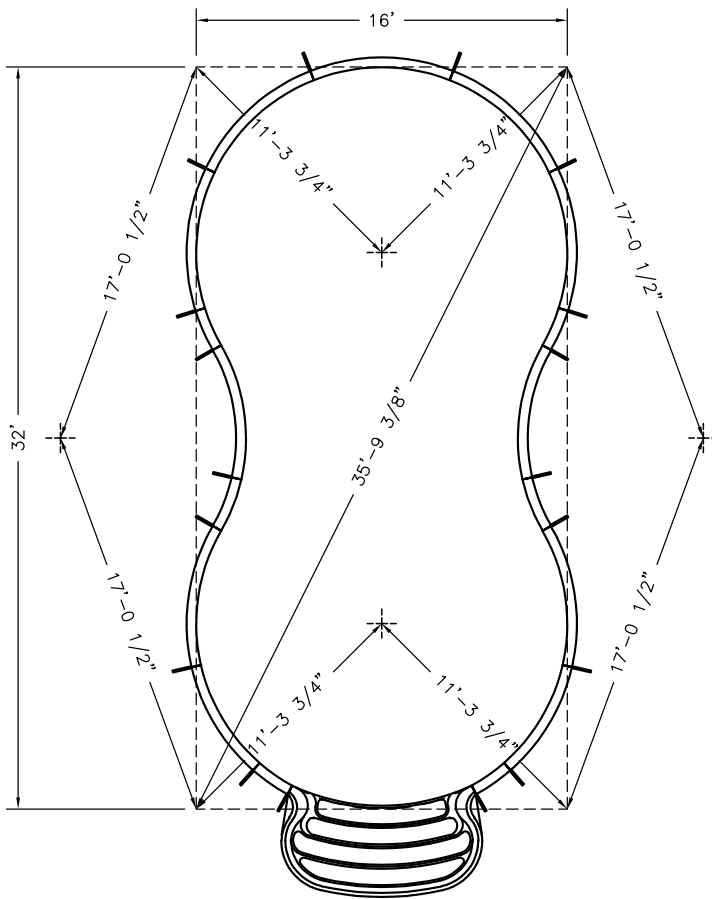
**Pool Size:** 16' X 32'

**Pool Shape:** FIGURE 8

**Pool Number:** 1632FIG8 (PLASTIC)

**Approx Gal:** 15,354

250 Route 61 South, Schuylkill Haven, PA 17972 • 570-385-4733 • fax: 570-385-1318 • CustomerService@CardinalSystemsinc.com



**Date:** 5/10/2022

**Drawn By:** JESSE H

**Scale:** 1/8" = 1'-0"

**Perimeter:** 83'-8 3/8"

**Area:** 422.1 SQ. FT.

**Notes:** -----



cardinalpools.com

This information is the confidential property of Cardinal Systems, Inc. Disclosure or duplication without proper written approval is strictly prohibited. Acceptance and use of this drawing constitutes knowledge and acceptance by the user of the terms and conditions set forth in the notice and warning which accompanied this drawing is incorporated herein and made part hereof and is found on Cardinal Systems, Inc's website at www.CardinalSystemsInc.com



**Pool Size:** 16' X 32'

**Pool Shape:** FIGURE 8

**Approx Gal:** 15,354

**Pool Number:** 1632FIG8 (PLASTIC)

250 Route 61 South, Schuylkill Haven, PA 17972 • 570-385-4733 • fax: 570-385-1318 • CustomerService@CardinalSystemsinc.com

HOPPER DIG POINTS		F-G	16'	E-H4	14'-6 3/4"	G-H4	4'-5 5/8"
POINTS	DISTANCE	F-H	27'-8 1/2"	E-H5	8'	G-H5	17'-10 5/8"
		G-H	16'	E-H6	8'	G-H6	17'-10 5/8"
E-F	16'	E-H1	16'-5 7/8"	G-H1	4'		
E-G	16'	E-H2	16'-5 7/8"	G-H2	4'		
E-H	16'	E-H3	14'-6 3/4"	G-H3	4'-5 5/8"		
PANEL TO HOPPER POINTS		1-H5	15'-5 1/2"	2-H6	12'-0 5/8"	4-H1	12'-4 1/4"
POINTS	DISTANCE	1-H6	4'-1 3/4"	3-H1	4'-11 1/2"	4-H2	16'-2 3/4"
1-H1	16'-2 3/4"	2-H1	11'-7 5/8"	3-H2	11'-7 5/8"	4-H3	10'-5"
1-H2	12'-4 1/4"	2-H2	4'-11 1/2"	3-H3	3'-6 1/2"	4-H4	14'-9 3/4"
1-H3	14'-9 3/4"	2-H3	11'-1 3/8"	3-H4	11'-1 3/8"	4-H5	4'-1 3/4"
1-H4	10'-5"	2-H4	3'-6 1/2"	3-H5	12'-0 5/8"	4-H6	15'-5 1/2"
		2-H5	19'-1 7/8"	3-H6	19'-1 7/8"		
PANEL TO PANEL POINTS		1-S2	15'-5"	2-T	21'-9 1/8"	4-C1	21'-2"
POINTS	DISTANCE	1-T	15'-9 3/8"	3-C1	13'-10 1/4"	4-C2	13'-9"
1-C1	21'-2"	2-C1	13'-10 1/4"	3-C2	21'-0 5/8"	4-I	15'-9 3/8"
1-C2	13'-9"	2-C2	21'-0 5/8"	3-I	21'-9 1/8"	4-J	15'-9 7/8"
1-I	10'-1 7/8"	2-I	18'-1 1/8"	3-J	20'-2 1/8"	4-K	13'-2 1/8"
1-J	5'-10 3/8"	2-J	13'-9 7/8"	3-K	14'-2 5/8"	4-L	17'-5 3/8"
1-K	2'-4 3/8"	2-K	5'-10 3/8"	3-L	14'-7 3/4"	4-M	20'-11 3/8"
1-L	9'-7 1/2"	2-L	1'-9"	3-M	15'-11 7/8"	4-N	21'-9 5/8"
1-M	15'-5 3/8"	2-M	7'-5 1/2"	3-N	15'-1 1/4"	4-O	19'-10 1/4"
1-N	19'-10 1/4"	2-N	12'-1 1/2"	3-O	12'-1 1/2"	4-P	15'-5 3/8"
1-O	21'-9 5/8"	2-O	15'-1 1/4"	3-P	7'-5 1/2"	4-Q	9'-7 1/2"
1-P	20'-11 3/8"	2-P	15'-11 7/8"	3-Q	1'-9"	4-R	2'-4 3/8"
1-Q	17'-5 3/8"	2-Q	14'-7 3/4"	3-R	5'-10 3/8"	4-S	5'-10 3/8"
1-R	13'-2 1/8"	2-R	14'-2 5/8"	3-S	13'-9 7/8"	4-S1	15'-5"
1-S	15'-9 7/8"	2-S	20'-2 1/8"	3-S1	21'-10 1/4"	4-S2	11'-5"
1-S1	11'-5"	2-S1	19'-3"	3-S2	19'-3"	4-T	10'-1 7/8"
		2-S2	21'-10 1/4"	3-T	18'-1 1/8"		
BOX POINTS		A-H6	24'	B-S1	33'-2 3/8"	D-C1	32'-11 7/8"
POINTS	DISTANCE	A-S1	31'-3 1/4"	B-S2	31'-3 1/4"	D-C2	8'
A-B	16'	A-S2	33'-2 3/8"	C-C1	32'-11 7/8"	D-E	11'-3 3/4"
A-C	35'-9 3/8"	B-C	32'	C-C2	8'	D-F	17'-0 1/2"
A-C1	8'	B-C1	8'	C-D	16'	D-G	25'-3 5/8"
A-C2	32'-10 3/8"	B-C2	32'-10 3/8"	C-E	11'-3 3/4"	D-H	27'-1"
A-D	32'	B-D	35'-9 3/8"	C-F	27'-1"	D-H1	26'-10"
A-E	25'-3 5/8"	B-E	25'-3 5/8"	C-G	25'-3 5/8"	D-H2	24'-4"
A-F	17'-0 1/2"	B-F	27'-1"	C-H	17'-0 1/2"	D-H3	25'-0 3/4"
A-G	11'-3 3/4"	B-G	11'-3 3/4"	C-H1	24'-4"	D-H4	22'-4 3/8"
A-H	27'-1"	B-H	17'-0 1/2"	C-H2	26'-10"	D-H5	17'-10 5/8"
A-H1	14'-5 1/8"	B-H1	8'-11 3/8"	C-H3	22'-4 3/8"	D-H6	8'
A-H2	8'-11 3/8"	B-H2	14'-5 1/8"	C-H4	25'-0 3/4"	D-S1	4'-3"
A-H3	15'-7 1/2"	B-H3	10'-9 1/4"	C-H5	8'	D-S2	11'-11"
A-H4	10'-9 1/4"	B-H4	15'-7 1/2"	C-H6	17'-10 5/8"		
A-H5	28'-10 1/8"	B-H5	24'	C-S1	11'-11"		
		B-H6	28'-10 1/8"	C-S2	4'-3"		

**Date:** 5/10/2022

**Perimeter:** 83'-8 3/8"

**Drawn By:** JESSE H

**Area:** 422.1 SQ. FT.

**Scale:** 1/8" = 1'-0"

**Notes:** - - - -



cardinalpools.com

This information is the confidential property of Cardinal Systems, Inc. Disclosure or duplication without proper written approval is strictly prohibited. Acceptance and use of this drawing constitutes knowledge and acceptance by the user of the terms and conditions set forth in the notice and warning which accompanied this drawing is incorporated herein and made part hereof and is found on Cardinal Systems, Inc's website at www.CardinalSystemsInc.com



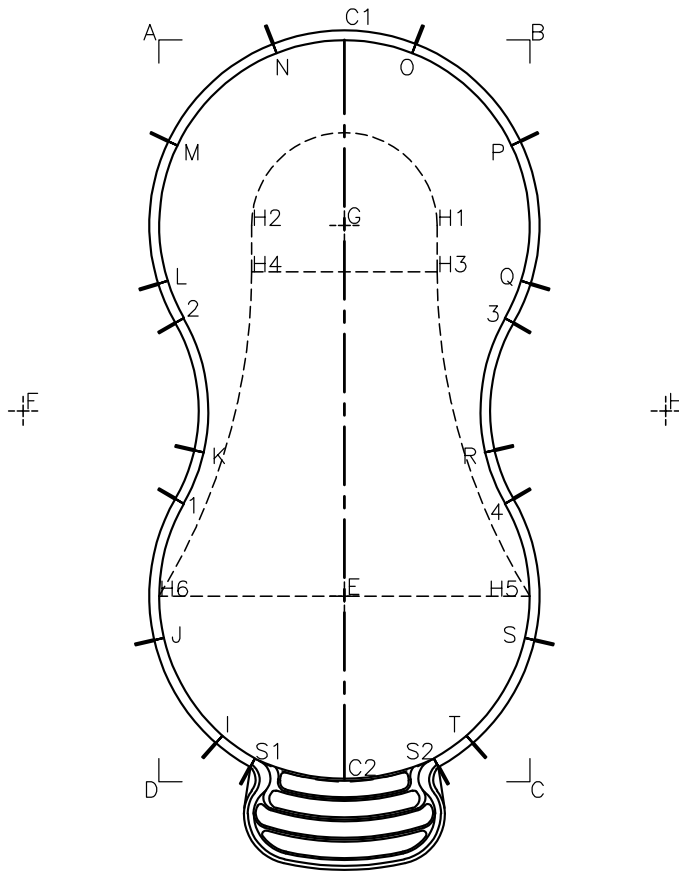
**Pool Size:** 16' X 32'

**Pool Shape:** FIGURE 8

**Approx Gal:** 15,354

**Pool Number:** 1632FIG8 (PLASTIC)

250 Route 61 South, Schuylkill Haven, PA 17972 • 570-385-4733 • fax: 570-385-1318 • CustomerService@CardinalSystemsinc.com



**Date:** 5/10/2022

**Perimeter:** 83' - 8 3/8"

**Drawn By:** JESSE H

**Area:** 422.1 SQ. FT.

**Scale:** 1/8" = 1'-0"

**Notes:** - - - -



cardinalpools.com

This information is the confidential property of Cardinal Systems, Inc. Disclosure or duplication without proper written approval is strictly prohibited. Acceptance and use of this drawing constitutes knowledge and acceptance by the user of the terms and conditions set forth in the notice and warning which accompanied this drawing is incorporated herein and made part hereof and is found on Cardinal Systems, Inc's website at www.CardinalSystemsInc.com



**Pool Size:** 18' X 36'

**Pool Shape:** FIGURE 8

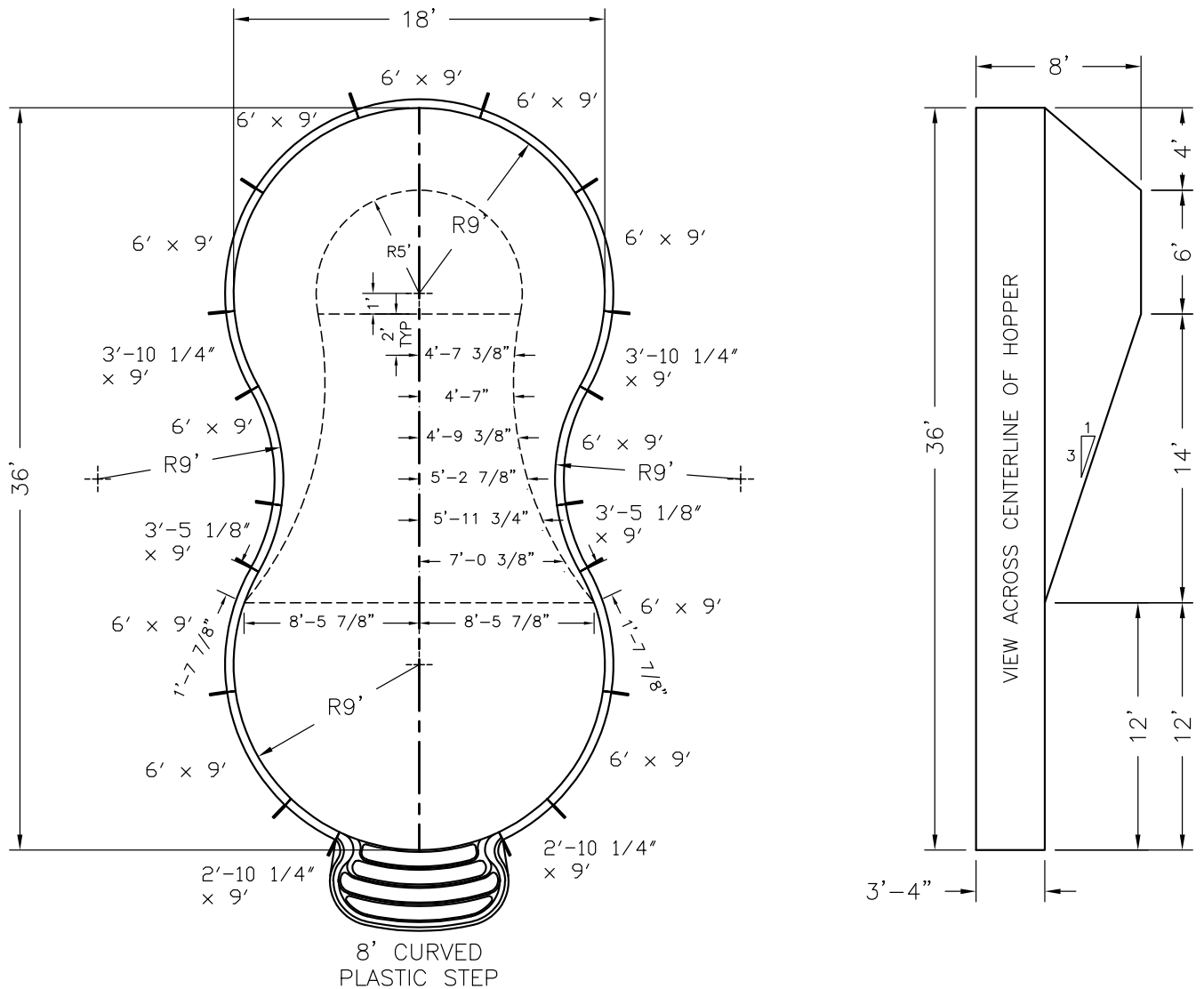
**Approx Gal:** 19,465

**Pool Number:** 1836FIG8 (PLASTIC)

250 Route 61 South, Schuylkill Haven, PA 17972 • 570-385-4733 • fax: 570-385-1318 • CustomerService@CardinalSystemsinc.com

Bill of Materials

PART NO.	QUANTITY	DESCRIPTION
"A" FRAME	18	"A" FRAME ASSEMBLY
5C422T2XX09000	2	2'-10 1/4" x 9' Radius C PANEL W/O Z
5C423T2XX09000	2	3'-10 1/4" x 9' Radius C PANEL W/O Z
5C42600XX09000	9	6' x 9' Radius C PANEL W/O Z
5R42351XX09000	2	3'-5 1/8" x 9' Radius R PANEL W/O Z
5R42600XX09000	2	6' x 9' Radius R PANEL W/O Z



**Date:** 5/10/2022

**Perimeter:** 94'-3"

**Drawn By:** JESSE H

**Area:** 535.1 SQ. FT.

**Scale:** 1/8" = 1'-0"

**Notes:** - - - -



cardinalpools.com

This information is the confidential property of Cardinal Systems, Inc. Disclosure or duplication without proper written approval is strictly prohibited. Acceptance and use of this drawing constitutes knowledge and acceptance by the user of the terms and conditions set forth in the notice and warning which accompanied this drawing is incorporated herein and made part hereof and is found on Cardinal Systems, Inc's website at www.CardinalSystemsInc.com



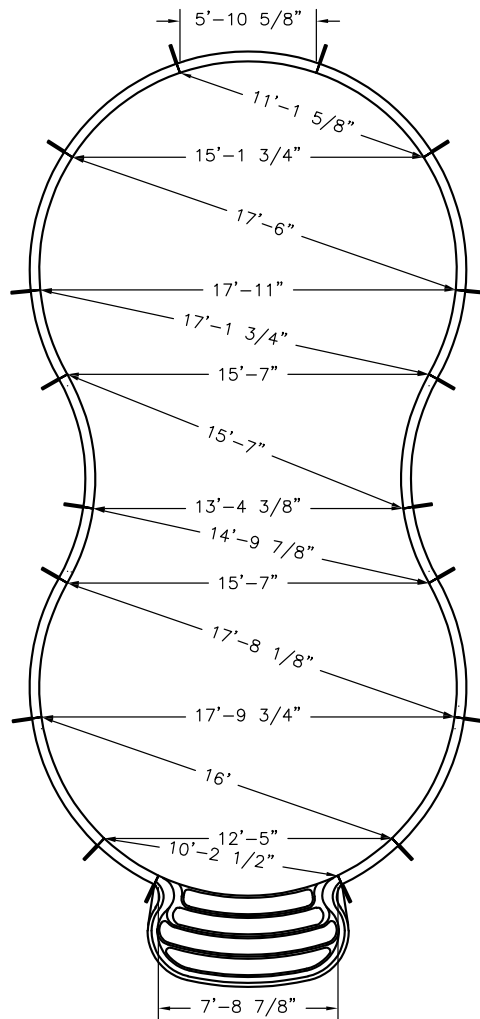
**Pool Size:** 18' X 36'


**Pool Shape:** FIGURE 8

**Approx Gal:** 19,465

**Pool Number:** 1836FIG8 (PLASTIC)

250 Route 61 South, Schuylkill Haven, PA 17972 • 570-385-4733 • fax: 570-385-1318 • CustomerService@CardinalSystemsinc.com



<b>Date:</b> 5/10/2022	<b>Perimeter:</b> 94'-3"	 cardinalpools.com
<b>Drawn By:</b> JESSE H	<b>Area:</b> 535.1 SQ. FT.	
<b>Scale:</b> 1/8" = 1'-0"	<b>Notes:</b> -----	

This information is the confidential property of Cardinal Systems, Inc. Disclosure or duplication without proper written approval is strictly prohibited. Acceptance and use of this drawing constitutes knowledge and acceptance by the user of the terms and conditions set forth in the notice and warning which accompanied this drawing is incorporated herein and made part hereof and is found on Cardinal Systems, Inc's website at www.CardinalSystemsInc.com





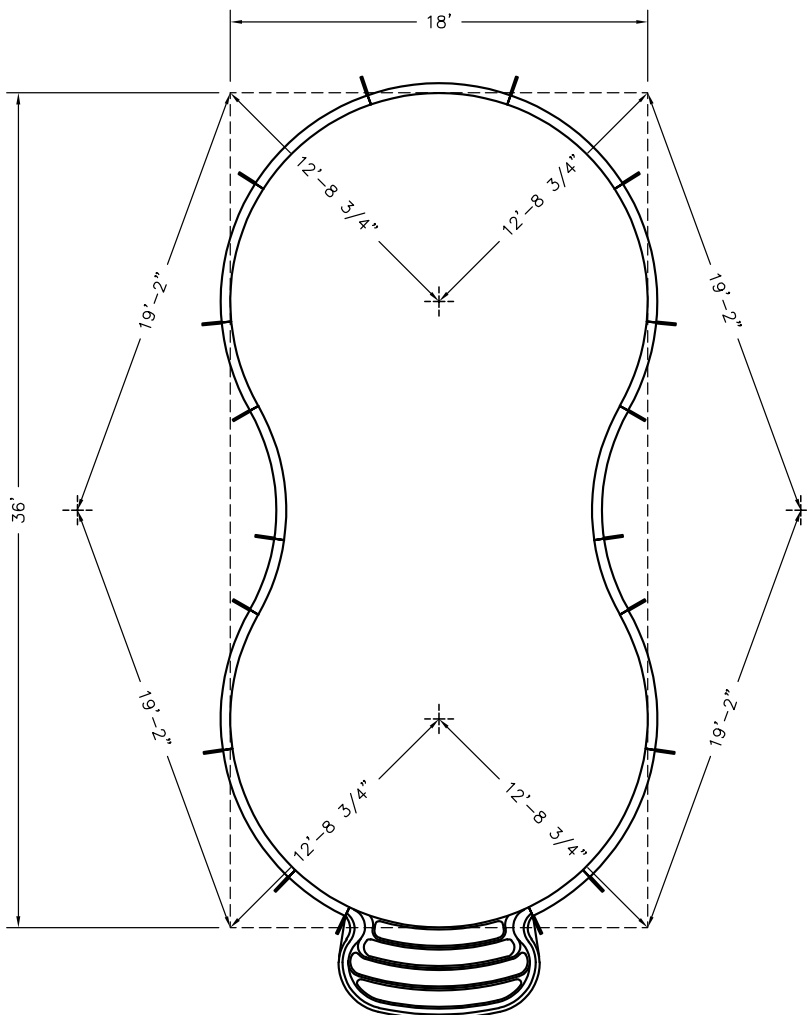
**Pool Size:** 18' X 36'

**Pool Shape:** FIGURE 8

**Pool Number:** 1836FIG8 (PLASTIC)

**Approx Gal:** 19,465

250 Route 61 South, Schuylkill Haven, PA 17972 • 570-385-4733 • fax: 570-385-1318 • CustomerService@CardinalSystemsinc.com



**Date:** 5/10/2022

**Drawn By:** JESSE H

**Scale:** 1/8" = 1'-0"

**Perimeter:** 94'-3"

**Area:** 535.1 SQ. FT.

**Notes:** - - - -



cardinalpools.com

This information is the confidential property of Cardinal Systems, Inc. Disclosure or duplication without proper written approval is strictly prohibited. Acceptance and use of this drawing constitutes knowledge and acceptance by the user of the terms and conditions set forth in the notice and warning which accompanied this drawing is incorporated herein and made part hereof and is found on Cardinal Systems, Inc's website at www.CardinalSystemsInc.com



**Pool Size:** 18' X 36'

**Pool Shape:** FIGURE 8

**Approx Gal:** 19,465

**Pool Number:** 1836FIG8 (PLASTIC)

250 Route 61 South, Schuylkill Haven, PA 17972 • 570-385-4733 • fax: 570-385-1318 • CustomerService@CardinalSystemsinc.com

HOPPER DIG POINTS		E-H	18'	E-H2	17'-8 1/4"	G-H3	17'-2 3/4"
POINTS	DISTANCE	F-G	18'	E-H3	9'	G-H4	17'-2 3/4"
E-F	18'	F-H	31'-2 1/8"	E-H4	9'		
E-G	18'	G-H	18'	G-H1	5'		
		E-H1	17'-8 1/4"	G-H2	5'		
PANEL TO HOPPER POINTS		1-H3	16'-4 1/8"	2-H4	10'-6 1/4"	4-H1	12'-10"
POINTS	DISTANCE	1-H4	1'-7 7/8"	3-H1	4'-6 1/2"	4-H2	17'-9 3/4"
1-H1	17'-9 3/4"	2-H1	13'-2"	3-H2	13'-2"	4-H3	1'-7 7/8"
1-H2	12'-10"	2-H2	4'-6 1/2"	3-H3	10'-6 1/4"	4-H4	16'-4 1/8"
		2-H3	19'-4 1/2"	3-H4	19'-4 1/2"		
PANEL TO PANEL POINTS		1-S2	17'-2 1/4"	2-T	24'-5 1/8"	4-C1	23'-9 3/4"
POINTS	DISTANCE	1-T	17'-9 3/4"	3-C1	15'-7"	4-C2	15'-7"
1-C1	23'-9 3/4"	2-C1	15'-7"	3-C2	23'-9 3/4"	4-I	17'-9 3/4"
1-C2	15'-7"	2-C2	23'-9 3/4"	3-I	24'-5 1/8"	4-J	17'-8 1/8"
1-I	11'-1 5/8"	2-I	20'-1"	3-J	22'-3 5/8"	4-K	14'-9 7/8"
1-J	5'-10 5/8"	2-J	14'-9 7/8"	3-K	15'-7"	4-L	20'-11 7/8"
1-K	3'-4 7/8"	2-K	5'-10 5/8"	3-L	17'-1 3/4"	4-M	23'-11 3/8"
1-L	12'-8 1/4"	2-L	3'-9 7/8"	3-M	18'	4-N	24'-5 7/8"
1-M	18'-4 3/8"	2-M	9'-4 3/8"	3-N	16'-10 3/8"	4-O	22'-6 3/8"
1-N	22'-6 3/8"	2-N	13'-10 1/2"	3-O	13'-10 1/2"	4-P	18'-4 3/8"
1-O	24'-5 7/8"	2-O	16'-10 3/8"	3-P	9'-4 3/8"	4-Q	12'-8 1/4"
1-P	23'-11 3/8"	2-P	18'	3-Q	3'-9 7/8"	4-R	3'-4 7/8"
1-Q	20'-11 7/8"	2-Q	17'-1 3/4"	3-R	5'-10 5/8"	4-S	5'-10 5/8"
1-R	14'-9 7/8"	2-R	15'-7"	3-S	14'-9 7/8"	4-S1	17'-2 1/4"
1-S	17'-8 1/8"	2-S	22'-3 5/8"	3-S1	24'-6 7/8"	4-S2	13'-2 5/8"
1-S1	13'-2 5/8"	2-S1	21'-11 3/4"	3-S2	21'-11 3/4"	4-T	11'-1 5/8"
		2-S2	24'-6 7/8"	3-T	20'-1"		
BOX POINTS		A-H4	24'-0 1/8"	B-S1	37'-4 7/8"	D-C1	37'-1 1/4"
POINTS	DISTANCE	A-S1	35'-6"	B-S2	35'-6"	D-C2	9'
A-B	18'	A-S2	37'-4 7/8"	C-C1	37'-1 1/4"	D-E	12'-8 3/4"
A-C	40'-3"	B-C	36'	C-C2	9'	D-F	19'-2"
A-C1	9'	B-C1	9'	C-D	18'	D-G	28'-5 1/2"
A-C2	37'-1 1/4"	B-C2	37'-1 1/4"	C-E	12'-8 3/4"	D-H	30'-5 5/8"
A-D	36'	B-D	40'-3"	C-F	30'-5 5/8"	D-H1	29'-5 3/4"
A-E	28'-5 1/2"	B-E	28'-5 1/2"	C-G	28'-5 1/2"	D-H2	26'-3 7/8"
A-F	19'-2"	B-F	30'-5 5/8"	C-H	19'-2"	D-H3	21'-2 1/2"
A-G	12'-8 3/4"	B-G	12'-8 3/4"	C-H1	26'-3 7/8"	D-H4	12'-0 1/8"
A-H	30'-5 5/8"	B-H	19'-2"	C-H2	29'-5 3/4"	D-S1	5'-2 1/2"
A-H1	17'-1 1/2"	B-H1	10'-9 3/4"	C-H3	12'-0 1/8"	D-S2	12'-10 3/4"
A-H2	10'-9 3/4"	B-H2	17'-1 1/2"	C-H4	21'-2 1/2"		
A-H3	29'-8 3/8"	B-H3	24'-0 1/8"	C-S1	12'-10 3/4"		
		B-H4	29'-8 3/8"	C-S2	5'-2 1/2"		

**Date:** 5/10/2022

**Perimeter:** 94'-3"

**Drawn By:** JESSE H

**Area:** 535.1 SQ. FT.

**Scale:** 1/8" = 1'-0"

**Notes:** - - - -



cardinalpools.com

This information is the confidential property of Cardinal Systems, Inc. Disclosure or duplication without proper written approval is strictly prohibited. Acceptance and use of this drawing constitutes knowledge and acceptance by the user of the terms and conditions set forth in the notice and warning which accompanied this drawing is incorporated herein and made part hereof and is found on Cardinal Systems, Inc's website at www.CardinalSystemsInc.com



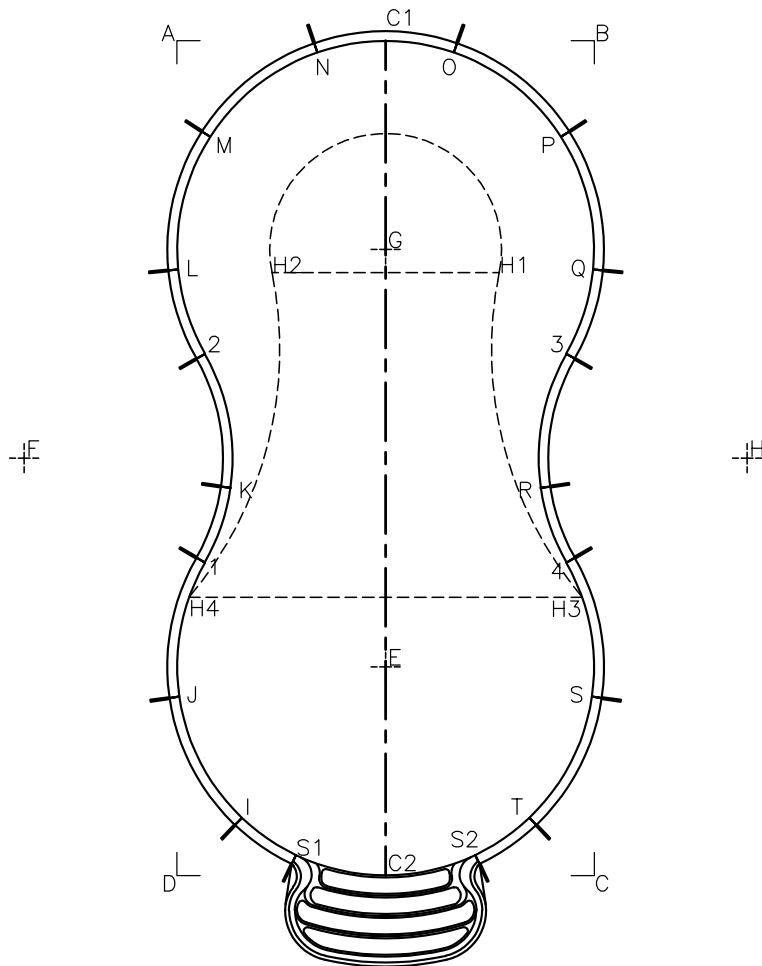
**Pool Size:** 18' X 36'

**Pool Shape:** FIGURE 8

**Pool Number:** 1836FIG8 (PLASTIC)

**Approx Gal:** 19,465

250 Route 61 South, Schuylkill Haven, PA 17972 • 570-385-4733 • fax: 570-385-1318 • CustomerService@CardinalSystemsInc.com



**Date:** 5/10/2022

**Perimeter:** 94'-3"

**Drawn By:** JESSE H

**Area:** 535.1 SQ. FT.

**Scale:** 1/8" = 1'-0"

**Notes:** - - - -



cardinalpools.com

This information is the confidential property of Cardinal Systems, Inc. Disclosure or duplication without proper written approval is strictly prohibited. Acceptance and use of this drawing constitutes knowledge and acceptance by the user of the terms and conditions set forth in the notice and warning which accompanied this drawing is incorporated herein and made part hereof and is found on Cardinal Systems, Inc's website at www.CardinalSystemsInc.com



**Pool Size:** 20' X 40'

**Pool Shape:** FIGURE 8

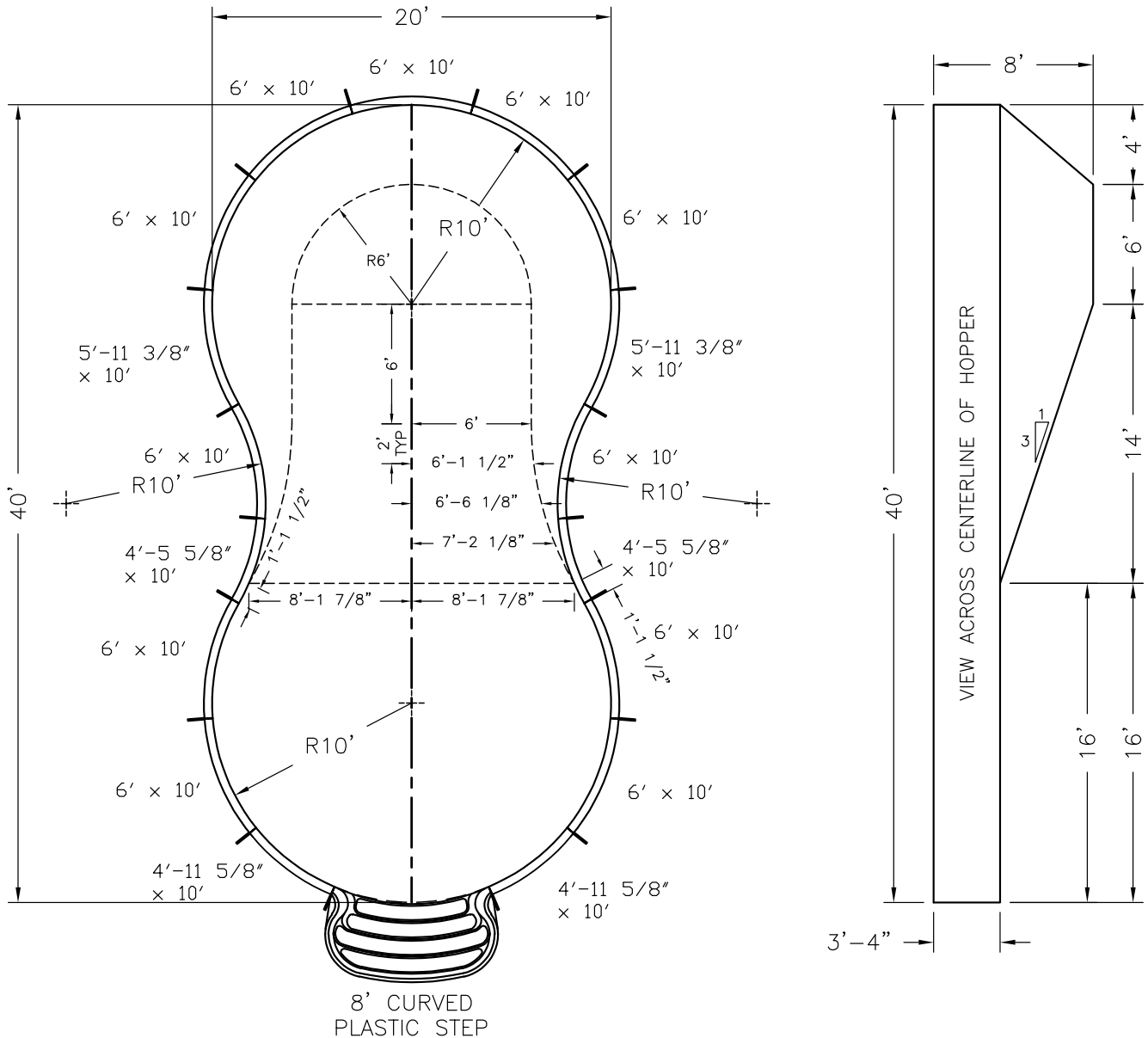
**Approx Gal:** 24,048

**Pool Number:** 2040FIG8 (PLASTIC)

250 Route 61 South, Schuylkill Haven, PA 17972 • 570-385-4733 • fax: 570-385-1318 • CustomerService@CardinalSystemsinc.com

Bill of Materials

PART NO.	QUANTITY	DESCRIPTION
"A" FRAME	18	"A" FRAME ASSEMBLY
5C424E5XX10000	2	4'-11 5/8" x 10' Radius C PANEL W/O Z
5C425E3XX10000	2	5'-11 3/8" x 10' Radius C PANEL W/O Z
5C42600XX10000	9	6' x 10' Radius C PANEL W/O Z
5R42455XX10000	2	4'-5 5/8" x 10' Radius R PANEL W/O Z
5R42600XX10000	2	6' x 10' Radius R PANEL W/O Z



<b>Date:</b> 5/10/2022	<b>Perimeter:</b> 104'-9 1/4"
<b>Drawn By:</b> JESSE H	<b>Area:</b> 661.1 SQ. FT.
<b>Scale:</b> 1/8" = 1'-0"	<b>Notes:</b> -----



cardinalpools.com

This information is the confidential property of Cardinal Systems, Inc. Disclosure or duplication without proper written approval is strictly prohibited. Acceptance and use of this drawing constitutes knowledge and acceptance by the user of the terms and conditions set forth in the notice and warning which accompanied this drawing is incorporated herein and made part hereof and is found on Cardinal Systems, Inc's website at www.CardinalSystemsInc.com



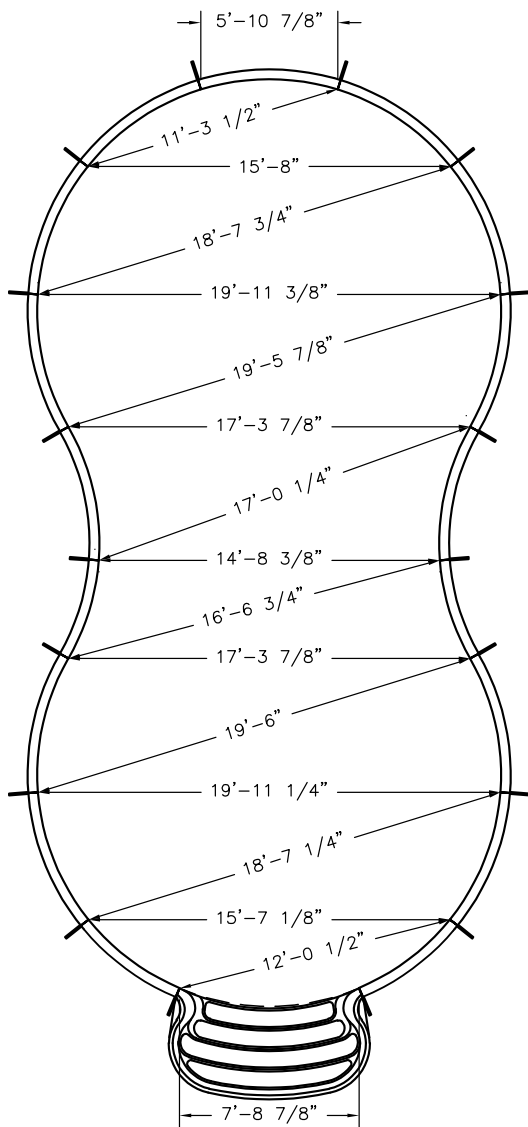
**Pool Size:** 20' X 40'

**Pool Shape:** FIGURE 8

**Approx Gal:** 24,048

**Pool Number:** 2040FIG8 (PLASTIC)

250 Route 61 South, Schuylkill Haven, PA 17972 • 570-385-4733 • fax: 570-385-1318 • CustomerService@CardinalSystemsinc.com



**Date:** 5/10/2022

**Perimeter:** 104'-9 1/4"

**Drawn By:** JESSE H

**Area:** 661.1 SQ. FT.

**Scale:** 1/8" = 1'-0"

**Notes:** - - - -



cardinalpools.com

This information is the confidential property of Cardinal Systems, Inc. Disclosure or duplication without proper written approval is strictly prohibited. Acceptance and use of this drawing constitutes knowledge and acceptance by the user of the terms and conditions set forth in the notice and warning which accompanied this drawing is incorporated herein and made part hereof and is found on Cardinal Systems, Inc's website at www.CardinalSystemsInc.com



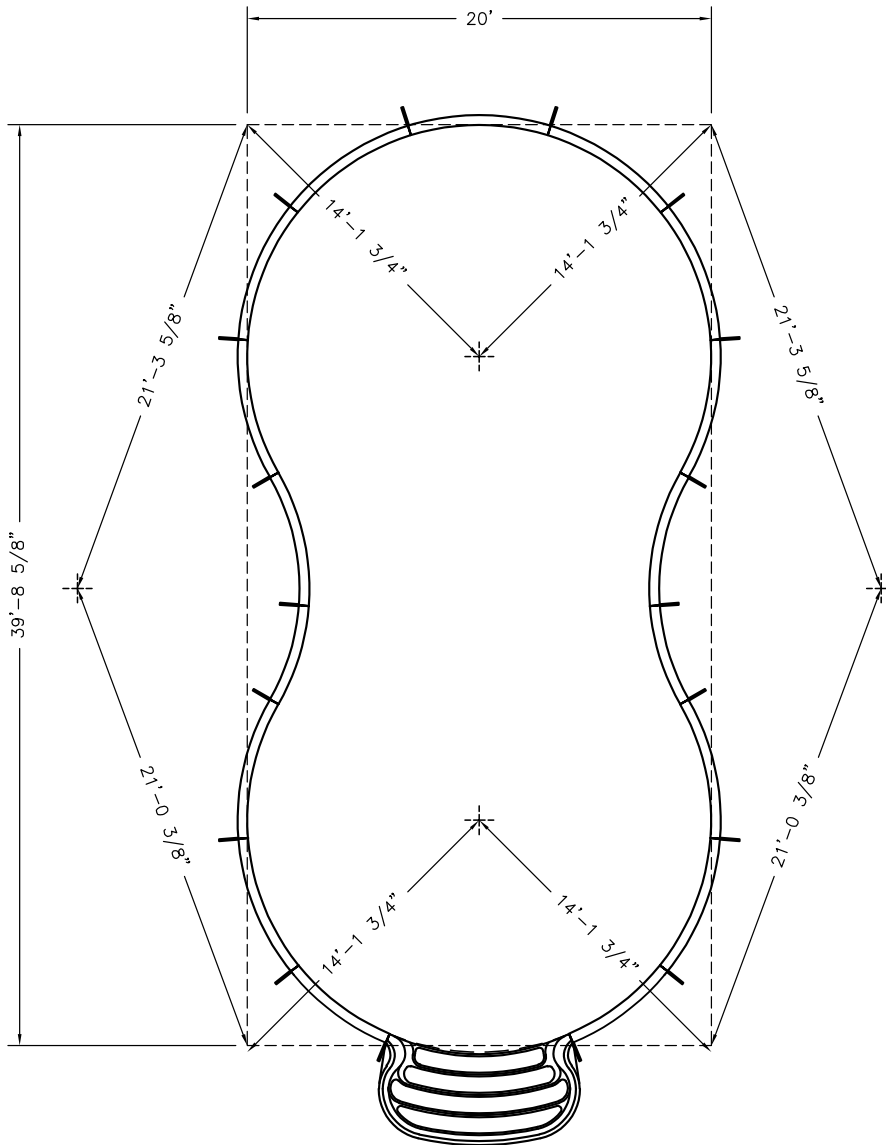
**Pool Size:** 20' X 40'

**Pool Shape:** FIGURE 8

**Approx Gal:** 24,048

**Pool Number:** 2040FIG8 (PLASTIC)

250 Route 61 South, Schuylkill Haven, PA 17972 • 570-385-4733 • fax: 570-385-1318 • CustomerService@CardinalSystemsinc.com



**Date:** 5/10/2022

**Perimeter:** 104' - 9 1/4"

**Drawn By:** JESSE H

**Area:** 661.1 SQ. FT.

**Scale:** 1/8" = 1'-0"

**Notes:** -----



cardinalpools.com

This information is the confidential property of Cardinal Systems, Inc. Disclosure or duplication without proper written approval is strictly prohibited. Acceptance and use of this drawing constitutes knowledge and acceptance by the user of the terms and conditions set forth in the notice and warning which accompanied this drawing is incorporated herein and made part hereof and is found on Cardinal Systems, Inc's website at www.CardinalSystemsInc.com



**Pool Size:** 20' X 40'

**Pool Shape:** FIGURE 8

**Approx Gal:** 24,048

**Pool Number:** 2040FIG8 (PLASTIC)

250 Route 61 South, Schuylkill Haven, PA 17972 • 570-385-4733 • fax: 570-385-1318 • CustomerService@CardinalSystemsinc.com

HOPPER DIG POINTS		F-G	20'	E-H4	10'-1 1/2"	G-H4	16'-2 3/8"
POINTS	DISTANCE	F-H	34'-7 3/4"	E-H5	15'-2 3/4"	G-H5	8'-5 7/8"
		G-H <td>20'</td> <th>E-H6</th> <th>15'-2 3/4"</th> <th>G-H6</th> <th>8'-5 7/8"</th>	20'	E-H6	15'-2 3/4"	G-H6	8'-5 7/8"
E-F	20'	E-H1	20'-10 5/8"	G-H1	6'		
E-G	20'	E-H2	20'-10 5/8"	G-H2	6'		
E-H	20'	E-H3	10'-1 1/2"	G-H3	16'-2 3/8"		
PANEL TO HOPPER POINTS		1-H5	9'-4 5/8"	2-H6	14'-8 3/8"	4-H1	15'-2 3/4"
POINTS	DISTANCE	1-H6	17'-2 3/8"	3-H1	5'-8"	4-H2	20'-11 3/4"
		2-H1	15'-5 7/8"	3-H2	15'-5 7/8"	4-H3	16'-10 1/8"
1-H1	20'-11 3/4"	2-H2	5'-8"	3-H3	19'-0 7/8"	4-H4	1'-1 1/2"
1-H2	15'-2 3/4"	2-H3	9'-0 1/8"	3-H4	9'-0 1/8"	4-H5	17'-2 3/8"
1-H3	1'-1 1/2"	2-H4	19'-0 7/8"	3-H5	14'-8 3/8"	4-H6	9'-4 5/8"
1-H4	16'-10 1/8"	2-H5	2'-10 1/8"	3-H6	2'-10 1/8"		
PANEL TO PANEL POINTS		1-S2	18'-11 1/2"	2-T	26'-10 5/8"	4-C1	26'-5 1/2"
POINTS	DISTANCE	1-T	19'-11 1/4"	3-C1	17'-3 7/8"	4-C2	17'-3 7/8"
		2-C1	17'-3 7/8"	3-C2	26'-5 1/2"	4-I	19'-11 1/4"
1-C1	26'-5 1/2"	2-C2	26'-5 1/2"	3-I	26'-10 5/8"	4-J	19'-6"
1-C2	17'-3 7/8"	2-I	21'-3 3/8"	3-J	24'-4 7/8"	4-K	16'-6 3/4"
1-I	11'-3 1/2"	2-J	15'-9 3/4"	3-K	17'-0 1/4"	4-L	24'-4 1/2"
1-J	5'-10 7/8"	2-K	5'-10 7/8"	3-L	19'-5 7/8"	4-M	26'-10 1/2"
1-K	4'-5 1/4"	2-L	5'-10 1/4"	3-M	19'-11 3/8"	4-N	27'-2"
1-L	15'-9 1/8"	2-M	11'-3"	3-N	18'-7 1/2"	4-O	25'-2 1/2"
1-M	21'-2 3/4"	2-N	15'-7 5/8"	3-O	15'-7 5/8"	4-P	21'-2 3/4"
1-N	25'-2 1/2"	2-O	18'-7 1/2"	3-P	11'-3"	4-Q	15'-9 1/8"
1-O	27'-2"	2-P	19'-11 3/8"	3-Q	5'-10 1/4"	4-R	4'-5 1/4"
1-P	26'-10 1/2"	2-Q	19'-5 7/8"	3-R	5'-10 7/8"	4-S	5'-10 7/8"
1-Q	24'-4 1/2"	2-R	17'-0 1/4"	3-S	15'-9 3/4"	4-S1	18'-11 1/2"
1-R	16'-6 3/4"	2-S	24'-4 7/8"	3-S1	27'-3 1/4"	4-S2	15'-0 1/8"
1-S	19'-6"	2-S1	24'-8 1/4"	3-S2	24'-8 1/4"	4-T	11'-3 1/2"
1-S1	15'-0 1/8"	2-S2	27'-3 1/4"	3-T	21'-3 3/8"		
BOX POINTS		A-H6	22'-7 1/2"	B-S1	41'-7 1/4"	D-C1	40'-11 1/2"
POINTS	DISTANCE	A-S1	39'-8 3/8"	B-S2	39'-8 3/8"	D-C2	10'
		A-S2	41'-7 1/4"	C-C1	40'-11 1/2"	D-E	13'-11 3/8"
A-B	20'	B-C	39'-8 5/8"	C-C2	10'	D-F	21'-0 3/8"
A-C	44'-5 5/8"	B-C1	10'	C-D	20'	D-G	31'-4 1/4"
A-C1	10'	B-C2	41'-2 3/4"	C-E	13'-11 3/8"	D-H	33'-8 3/8"
A-C2	41'-2 3/4"	B-D	44'-5 5/8"	C-F	33'-8 3/8"	D-H1	33'-9"
A-D	39'-8 5/8"	B-E	31'-7 1/2"	C-G	31'-4 1/4"	D-H2	29'-11 7/8"
A-E	31'-7 1/2"	B-F	33'-10 1/4"	C-H	21'-0 3/8"	D-H3	15'-9 7/8"
A-F	21'-3 5/8"	B-G	14'-1 3/4"	C-H1	29'-11 7/8"	D-H4	24'-0 1/8"
A-G	14'-1 3/4"	B-H	21'-3 5/8"	C-H2	33'-9"	D-H5	24'-0 5/8"
A-H	33'-10 1/4"	B-H1	10'-9 1/4"	C-H3	24'-0 1/8"	D-H6	28'-7 3/8"
A-H1	18'-10 3/8"	B-H2	18'-10 3/8"	C-H4	15'-9 7/8"	D-S1	6'-1 3/4"
A-H2	10'-9 1/4"	B-H3	30'-1 1/8"	C-H5	28'-7 3/8"	D-S2	13'-10 1/2"
A-H3	24'-0 7/8"	B-H4	24'-0 7/8"	C-H6	24'-0 5/8"		
A-H4	30'-1 1/8"	B-H5	22'-7 1/2"	C-S1	13'-10 1/2"		
A-H5	16'-5 7/8"	B-H6	16'-5 7/8"	C-S2	6'-1 3/4"		

**Date:** 5/10/2022

**Perimeter:** 104'-9 1/4"

**Drawn By:** JESSE H

**Area:** 661.1 SQ. FT.

**Scale:** 1/8" = 1'-0"

**Notes:** - - - -



cardinalpools.com

This information is the confidential property of Cardinal Systems, Inc. Disclosure or duplication without proper written approval is strictly prohibited. Acceptance and use of this drawing constitutes knowledge and acceptance by the user of the terms and conditions set forth in the notice and warning which accompanied this drawing is incorporated herein and made part hereof and is found on Cardinal Systems, Inc's website at www.CardinalSystemsInc.com



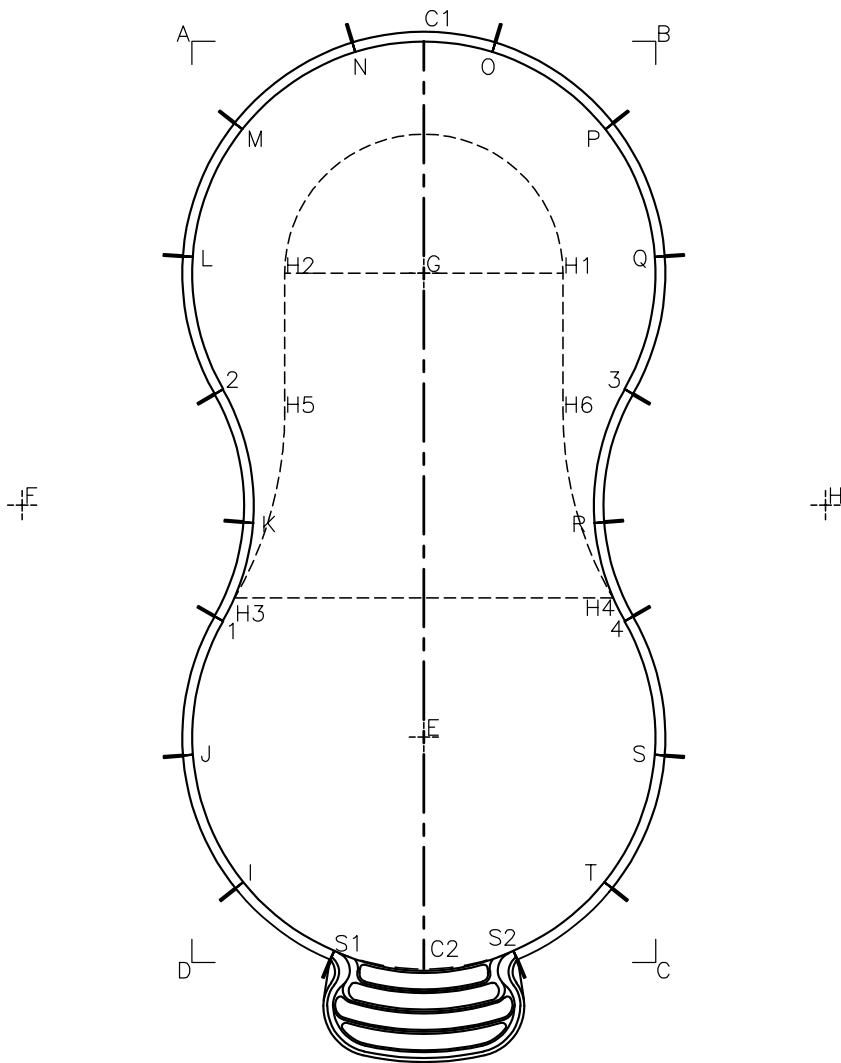
**Pool Size:** 20' X 40'

**Pool Shape:** FIGURE 8

**Approx Gal:** 24,048

**Pool Number:** 2040FIG8 (PLASTIC)

250 Route 61 South, Schuylkill Haven, PA 17972 • 570-385-4733 • fax: 570-385-1318 • CustomerService@CardinalSystemsinc.com



**Date:** 5/10/2022

**Perimeter:** 104'-9 1/4"

**Drawn By:** JESSE H

**Area:** 661.1 SQ. FT.

**Scale:** 1/8" = 1'-0"

**Notes:** -----



cardinalpools.com

This information is the confidential property of Cardinal Systems, Inc. Disclosure or duplication without proper written approval is strictly prohibited. Acceptance and use of this drawing constitutes knowledge and acceptance by the user of the terms and conditions set forth in the notice and warning which accompanied this drawing is incorporated herein and made part hereof and is found on Cardinal Systems, Inc's website at www.CardinalSystemsInc.com





The logo for Cardinal Systems Inc. features the word "Cardinal" in a white, sans-serif font. Below the text is a stylized blue wave graphic that starts under the 'C', dips under the 'i', and rises under the 'l'.

Cardinal

**STEEL** DIG SPEC **BOOK**  
VERSION 6

250 ROUTE 61 S, SCHUYLKILL HAVEN, PA 17972

customerservice@cardinalsystemsinc.com | 570.385.4733

CARDINALPOOLS.COM