



# Cardinal

PRODUCT

*Catalog*



# WHO WE ARE

**Cardinal** is one of the world's largest and most technologically advanced manufacturers in the swimming pool industry. For over 45 years, we have been in business providing Builders, Contractors, and Architects with products to enhance any outdoor living space. As a family-owned and operated business since our inception, our goal has always been to provide the highest quality material that is safe and functional to be enjoyed by Homeowners and their families. Through 3 generations of ownership, we have been consistently dedicated to the aggressive pursuit of seeking out and applying the most efficient manufacturing processes to produce innovative products. What began as a modest operation in a 5,000 square foot single-bay garage has grown into an over 350,000 square foot manufacturing facility with plans to continue growing and expanding our operations.



# Cardinal



Quaker  
Plastics



M  
MODERN  
MOULDING

## OUR PRODUCTS

Cardinal stands at the forefront of the brand family, producing high-quality and trusted products such as: steel pool walls, steps and benches, vinyl liners, aluminum tracking and coping, Luxury Spas, Ultimate Pool Kits and more. Quaker Plastics and Modern Moulding are among the other brands housed within Cardinal to fully encompass the distinctive design and functionality of a pool. Quaker Plastics provides a wide range of extrusion and thermoforming products such as deck and paver drains, thermoformed steps, and liner bead that adds depth to the Cardinal brand. Modern Moulding offers unique and innovative cantilever coping styrofoam forms that are easy to install and replace, and provide a visually impressive profile on any pool.

**STEEL POOL WALLS, STEPS, AND BENCHES**

About . . . . . 8-9  
 ZAM . . . . . 10-11  
 Pools . . . . . 12-13  
 Steel Step Options (standard & open-pour) . . . . . 14  
 Steel Step Options (drop-in & modular) . . . . . 15

**REPAIR PANELS**

20" x 25" Repair - Badu Jet . . . . . 16  
 18" x 18" Repair - Jiffy Lite . . . . . 16  
 18" x 18" Repair - Light . . . . . 16  
 18" x 18" Repair - Return . . . . . 16  
 18" x 18" 1084 SKM Fix Panel . . . . . 16  
 18" x 18" Spa Bright Light Rep . . . . . 16  
 18" x 24" 1085 SKM Fix Panel . . . . . 16  
 18" x 18" Repair - Blank . . . . . 16  
 Light Punch Scrap Drop . . . . . 16

**LEVELER PANELS**

1" x Flange O.D. x 6" x 8' Cap . . . . . 16  
 1" x Flange O.D. x 6" x 6' Cap . . . . . 16

**ABOVE GROUND BUTTRESS**

Above Ground Buttress - ST . . . . . 17  
 48" Above Ground Buttress - ST . . . . . 17

**CORNER CAPS**

Grecian Corner Cap . . . . . 17  
 Small Inside Corner Cap . . . . . 17

**SKIMMER SUPPORTS**

Skimmer Support Angle . . . . . 18  
 Skimmer Support Channel . . . . . 18

**HANDRAIL AND LADDER JIGS**

Handrail Jig . . . . . 19  
 Vertical Ladder Jig . . . . . 19  
 Horizontal Ladder Jig . . . . . 19

**TURNBUCKLES**

One Piece Turnbuckle . . . . . 20  
 Three Piece Turnbuckle . . . . . 20

**THREADED RODS**

Three Piece Threaded Rod . . . . . 22

**MISC.**

18" Rebar 3/8" x 18" #3 Grad . . . . . 22  
 24" Drive Stake w/ holes 12G . . . . . 22  
 Threaded Rod . . . . . 22  
 Threaded Angle Bracket . . . . . 22  
 5/8" Hex Nut . . . . . 22

**VERSA BRACE**

One Piece Versa Brace 42" . . . . . 23  
 One Piece Versa Brace 48" . . . . . 23

**CALIFORNIA BRACE**

California Joint Brace . . . . . 24

**CORNER ANGLES AND INSERTS**

Square Corner Angles . . . . . 25  
 Big Vee Angles . . . . . 25  
 Grecian Angles . . . . . 26  
 Inserts . . . . . 26

**STEP ANGLES**

Grecian Step Angle . . . . . 26

**6" STEEL RADIUS CORNER PANELS**

6" Steel Radius Corner Panel . . . . . 28

**BOLT PACKS**

Tek Screws . . . . . 29  
 Bent Bolts . . . . . 29  
 Bolt Packs . . . . . 29  
 7' Drop-in Step Bolt Pack . . . . . 29  
 Large Step Bolt Pack . . . . . 29  
 Versa Brace Bolt Pack . . . . . 29



## THE BACKYARD POOLSCAPE SERIES: A PLUNGE POOL COLLECTION

About . . . . .	30
Pools, Features, Upgrades . . . . .	31

## ULTIMATE POOLS

About . . . . .	32-33
Pools . . . . .	34-35
Ultimate ZAM Coating . . . . .	36
Ultimate Benefits and Kits . . . . .	37

## QUAKER PLASTICS

About . . . . .	38-39
Color Guide . . . . .	40

### DECK DRAINS

4" Water Hog . . . . .	41
3" Water Hog . . . . .	42
2" Removable Top Drain . . . . .	43
2" Square Drain . . . . .	44
Deck Drain-A-Way® . . . . .	45
2" Paver Drain . . . . .	46
Streamline . . . . .	47

### CONCRETE PRODUCTS

1" Paver Overlay . . . . .	48
Replacement Cap Quaker Drain . . . . .	48
Replacement Cap Common Drain . . . . .	48
Arrowhead™ Control Joint . . . . .	49

### DISCHARGE HOSE

Heavy Duty Discharge Hose . . . . .	50
-------------------------------------	----

### LINER LOCKS

Liner Bead Wedge Lock . . . . .	50
---------------------------------	----

### LINER TRACKS

Side Mount . . . . .	51
Top Mount . . . . .	51
Radius Cut . . . . .	51
6" Radius Corner for Top Mount . . . . .	51

### LINER HANGERS

Above Ground Pool Replacement Liner Hanger . . . . .	52
Deluxe Above Ground Pool Replacement Liner Hanger . . . . .	52

# INDEX

### HOLDERS

Ceramic Tile Holder . . . . .	53
Sign Holder . . . . .	53

### CARDINAL COPING AND LINER TRACK

About . . . . .	54-55
-----------------	-------

### RESOURCES

Coping Corner Length Installation . . . . .	56
Color Guide . . . . .	56

### BULLNOSE COPING

PC . . . . .	57
CB . . . . .	57
CR . . . . .	57
CP/C4 . . . . .	58
FC . . . . .	58

### LINER TRACK

#### Top Mount

T2 . . . . .	59
T3 . . . . .	59
HZ Series . . . . .	59

#### Side Mount

AS . . . . .	60
SM . . . . .	60
VT . . . . .	60

#### Cap Lock

HC . . . . .	61
T4 . . . . .	61

#### Double Track

DT . . . . .	61
--------------	----

### SPECIALTY PROFILES

SS . . . . .	62
CG . . . . .	62
CC . . . . .	63
Stone Coping Support System . . . . .	64
SC . . . . .	64

### ACCESSORIES

Vinyl Trim Seal . . . . .	65
PAL Replacement Clips . . . . .	65
Zinc Tek Screws . . . . .	65
Touch-up Paint . . . . .	65

### THERMOPLASTIC STEPS

About . . . . .	66-67
Quaker Stairs - White . . . . .	68-69
Quaker Stairs - Gray . . . . .	70-71

## THERMO STAIR PARTS KITS

Stair Mount Caps .....	72
Stair Trim Cover .....	72
Side Gaskets .....	72
Bottom Gaskets .....	72
Bottom Faceplate .....	72
Side Faceplates .....	72
Trim Cover Corners .....	72
NEW Universal Faceplate .....	73

## GOODIE BAG PARTS

15/16" #10 Stainless Steel Screws .....	74
Stair Mount Caps .....	75
Roll Stair Trim Cover .....	75
Snap-in Trim Cover Corner Pieces .....	75

## LUXURY SPAS

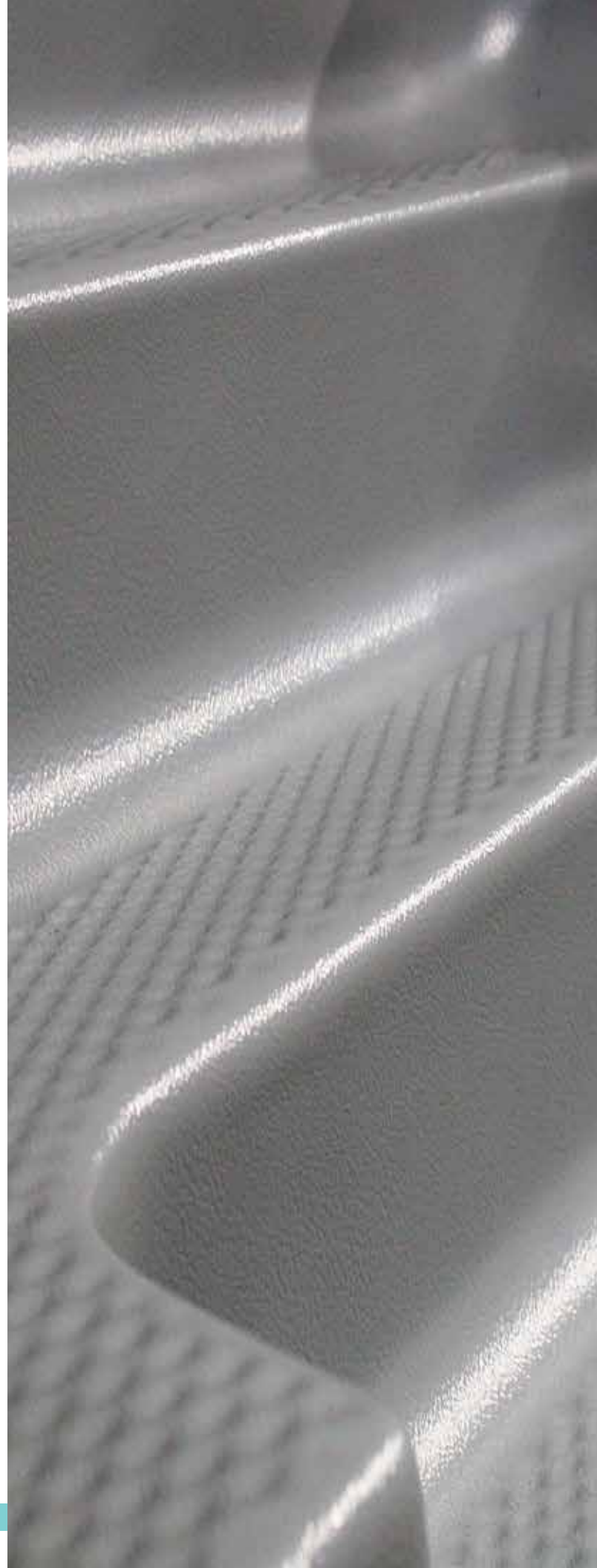
About .....	76-77
Luxury Spas .....	78

## SPA FEATURES

Built-in Filtration .....	79
Hydrotherapy .....	79
Decorative Border .....	79

## MODERN MOULDING

About .....	80-81
Coping Profiles for Vinyl Pools .....	82
Coping Profiles for Fiberglass Pools .....	83
Coping Profiles for Concrete/Gunite Pools .....	84
Coping Profiles for Coverstar Auto-Covers .....	85
Coping Profiles for Automatic Covers .....	86
Coping Profiles for APC Auto-Covers .....	87
Clips, & Accessories .....	89



# PRODUCT REFERENCE GUIDE



## QUAKER PLASTIC DRAINS AND MORE

### DECK DRAINS



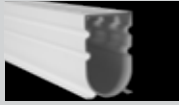
4" Water Hog  
Page 41



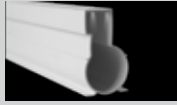
3" Water Hog  
Page 42



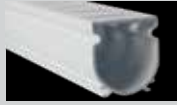
2" Removable Top  
Page 43



2" Square Drain  
Page 44



Deck Drain-A-Way  
Page 45

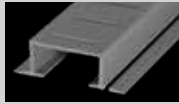


2" Paver Drain  
Page 46



Streamline  
Page 47

### CONCRETE PRODUCTS



1" Paver Overlay  
Page 48



Replacement Cap for  
Quaker Drain  
Page 48



Replacement Cap for  
Common Drain  
Page 49



Arrowhead Control Joint  
Page 49

### LINER TRACKS



Side Mount  
Page 51



Top Mount  
Page 51



Top Mount Radius Cut  
Page 51



6" Radius Corner for Top  
Mount  
Page 51

### ACCESSORIES



Discharge Hose  
Page 50



Liner Bead Wedge Lock  
Page 50



Above Ground Pool  
Replacement Liner Hanger  
Page 52



Deluxe Above Ground  
Pool Replacement Liner  
Page 52



Ceramic Tile Holder  
Page 53



Sign Holder  
Page 53



## COPING AND LINER TRACK

### BULLNOSE COPING



PC  
Page 57



CB  
Page 57



CR  
Page 57

### CAP LOCK COPING



CP  
Page 58

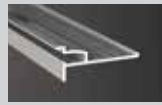


C4  
Page 58

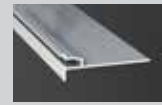


FC  
Page 58

### TOP MOUNT LINER TRACK



T2  
Page 59

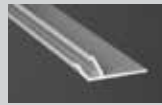


T3  
Page 59

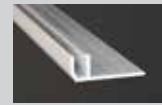


HZ  
Page 59

### SIDE MOUNT LINER TRACK



AS  
Page 60

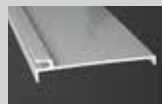


SM  
Page 60



VT  
Page 60

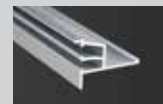
### CAP LOCK LINER TRACK



HC  
Page 61



T4  
Page 61



DT  
Page 61

### DOUBLE TRACK

### SPECIALTY COPING AND LINER TRACK PROFILES



SS  
Page 62



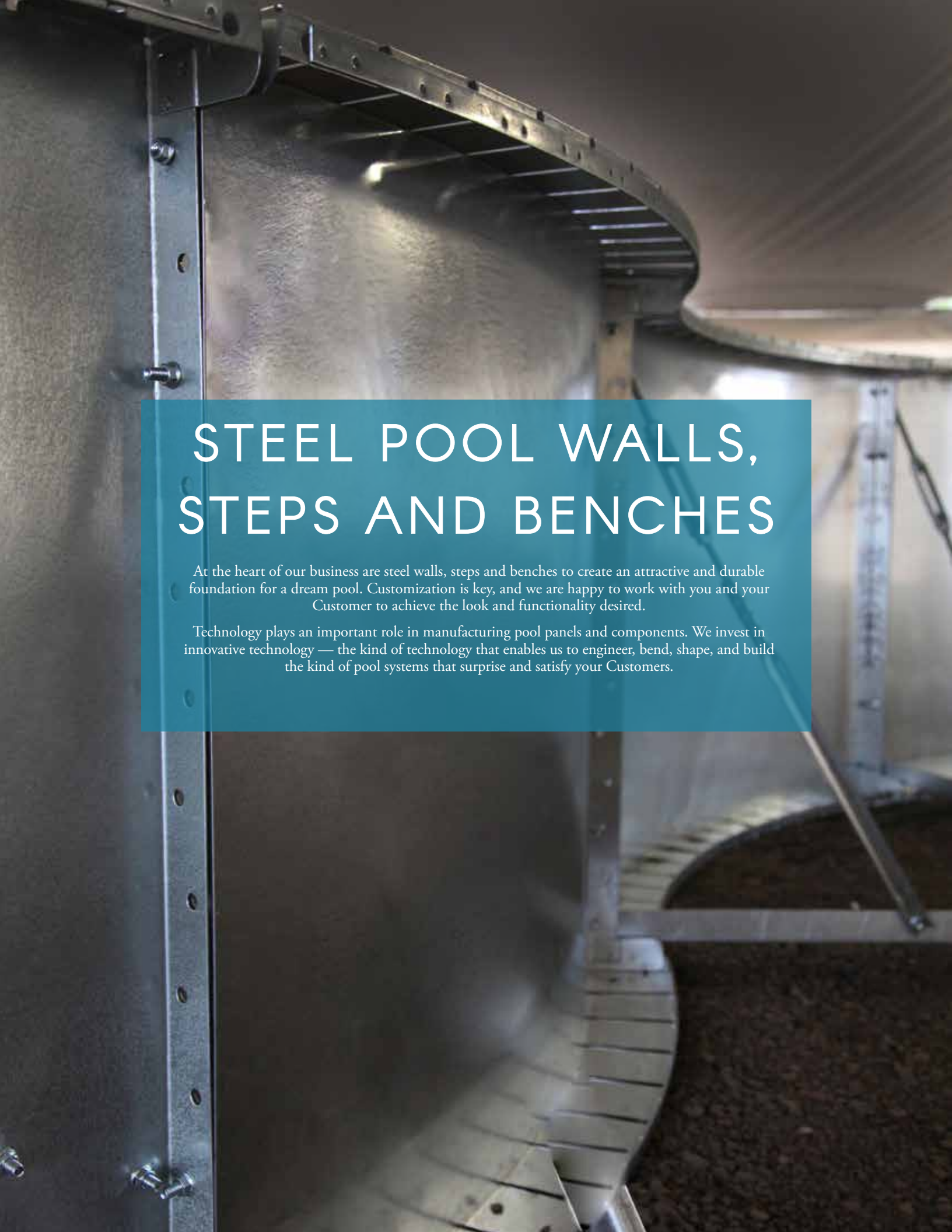
CG  
Page 62



CC  
Page 63



SC  
Page 62



# STEEL POOL WALLS, STEPS AND BENCHES

At the heart of our business are steel walls, steps and benches to create an attractive and durable foundation for a dream pool. Customization is key, and we are happy to work with you and your Customer to achieve the look and functionality desired.

Technology plays an important role in manufacturing pool panels and components. We invest in innovative technology — the kind of technology that enables us to engineer, bend, shape, and build the kind of pool systems that surprise and satisfy your Customers.



## STEEL PANEL WALLS & FABRICATED PARTS

Cardinal's steel pool wall panels are made from the finest North American-sourced materials. Our manufacturing processes and computer design ensure that every panel is consistent and accurate every time, guaranteeing a perfect fit and easy assembly on the job site. Steel wall panels are made of 14-gauge galvanized steel or ZAM corrosion resistant steel and are engineered precisely for seamless installation. For extra strength where it counts, the wide top and bottom flanges are mitered at each corner to join the strength of the vertical side flanges. The horizontal and vertical flanges are then united by our unique toggle-locking system to join the two together. No welding is needed, therefore the integral protection of the galvanization is completely preserved.

Behind each panel are steel fabricated parts that support the pool system to keep it structurally stable and durable against harsh conditions. Our expertise in precise fabrication allows for complete customization including: linear & freeform shapes, specialty steps, benches, or sun-shelves. Our engineering brings almost any pool vision to life.

## BRACES & SUPPORTS

*A-FRAME BRACE* - One of the several types of adjustable wall supports that ensure a straight square structure, with or without water.

*VERSA DECK BRACE* - Versa Deck Braces permit concrete or other decking material to be installed immediately after the pool is installed, without waiting for the back to settle. The inverted "A" shape transfers the weight of the deck to the base of the wall using the outward pressure of the water to equalize the stress on the wall.

*SKIMMER SUPPORT* - Designed to support the weight of the skimmer during and after backfilling, the skimmer support fits securely under the skimmer on the wall's bottom flange.

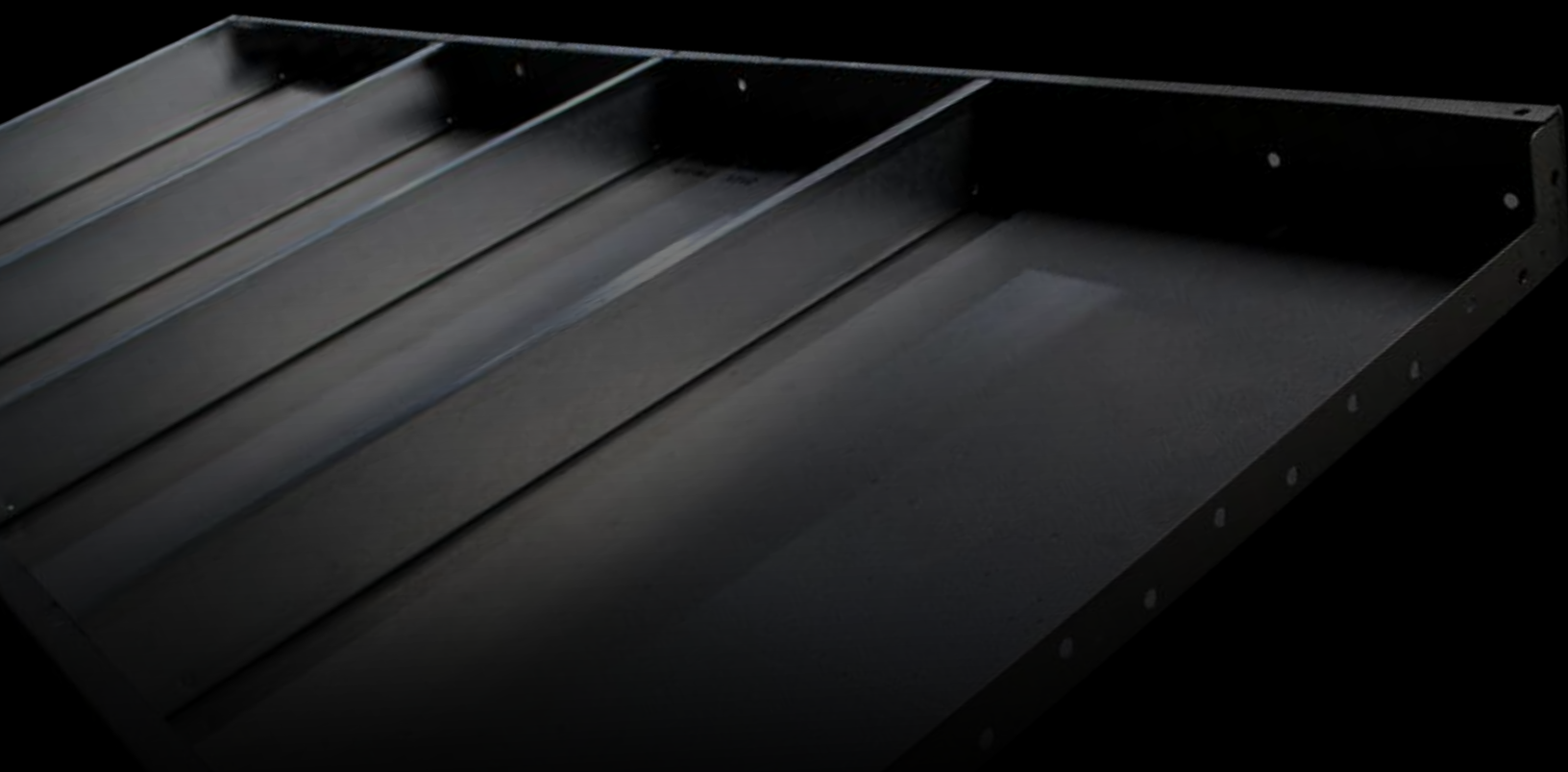
# CORROSION RESISTANT

Cardinal is proud to offer ZAM® 115— the most effective non-corrosive coating for steel panels in the industry. ZAM® is a hot-dip coated steel sheet that has a layer of Zinc, 6% Aluminum, and 2% Magnesium. The effects of magnesium and aluminum together allow our ZAM® coated steel panels to have excellent corrosion resistance, scratch resistance, and formability.

ZAM® offers superior protection against corrosion on Salt Generator Pools, **up to 5x's more effective than standard galvanization.** It also offers increased protection when servicing areas with a high water table or acidic ground conditions.

Customization of walls is still achievable, as sheet steel can be bent without the coating cracking on the edges. **Cardinal ZAM® coated steel is covered by a lifetime, 1-time transferable warranty.**

Steel



# ZAM®

# Steel

## Superior Corrosion Resistance of ZAM®

TIME	100h	1000h	5,000h
<b>ZAM®</b>			
55% Al-Zn alloy coated steel			
Zn-5% Al alloy coated steel			
Galvanized steel			

\* Appearances of cut edge sections after salt spray test. (Thickness 0.126", coating weight 0.40/0.40 oz/ft<sup>2</sup>, no chem treat)

\* ZAM® produced to ASTM A1046 specifications



Speak to your Cardinal Representative for more on the strength & integrity of ZAM steel products.

## SHAPES FOR ANY SPACE

Cardinal's wide variety of pool shapes provides you the ability to give your Customers the right look for their environment.

Our CAD Team can take any drawing and transform it into a workable blueprint of your Customer's dream pool, with elegance and functionality at the forefront.

## SOME STANDARD SHAPES AND SIZES

### 1. RECTANGLE

14' x 28' • 16' x 36' • 16' x 32' • 18' x 36' • 16' x 34' • 20' x 40'

### 2. GRECIAN

14.5' x 28.5' • 16.5' x 32.5' • 16.5' x 35.5' • 17' x 31' • 17' x 34' • 18' x 37' • 20' x 40'

### 3. ROMAN END

16' x 32' • 18' x 36' • 20' x 40'

### 4. DOUBLE ROMAN END

16' x 32' • 18' x 36' • 20' x 40'

### 5. TRUE ELL

16' x 32' • 12' x 26' • 18' x 40' • 30' x 12'

### 6. LAZY ELL

16' x 39' • 18' x 43' • 20' x 44'

### 7. KIDNEY

14' x 28' • 16' x 32' • 16' x 34' • 16' x 36' • 18' x 36' • 20' x 40'

### 8. OASIS

16' x 34' • 18' x 36' • 18' x 38'

### 9. MOUNTAIN POND

14' x 28' • 16' x 32' • 18' x 36'

### 10. LAGOON

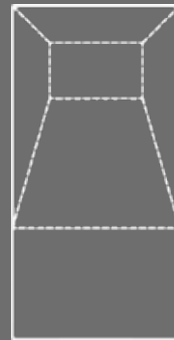
22' x 34' x 40' • 18' x 29' x 35'

### 11. CELEBRITY

16' x 32' • 18' x 36' • 20' x 40'

### 12. OVAL

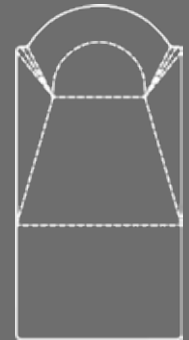
12' x 24' • 14' x 28' • 15' x 30' • 16' x 32' • 16' x 34' • 16' x 36' • 17' x 27' • 18' x 36'



1. RECTANGLE



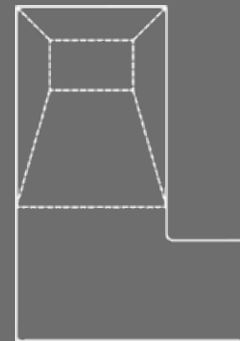
2. GRECIAN



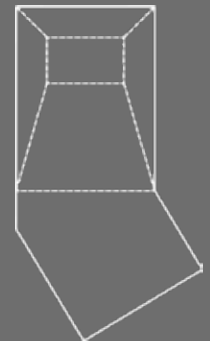
3. ROMAN END



4. DOUBLE ROMAN END



5. TRUE ELL



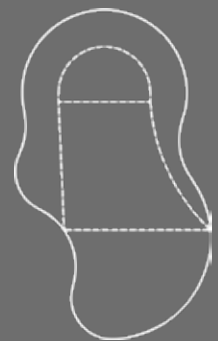
6. LAZY ELL



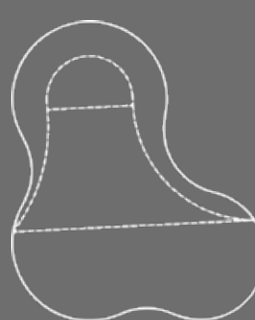
7. KIDNEY



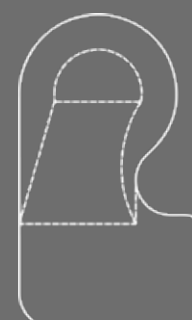
8. OASIS



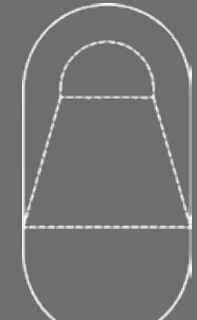
9. MOUNTAIN POND



10. LAGOON



11. CELEBRITY



12. OVAL



## 1. STEEL PANEL WALLS

The top, bottom, and vertical flanges, as well as panel stiffeners ("Z" braces) are secured using the toggle-lock fastening system. The result being a panel with maximum strength, minimal deflection, and a perfectly square structure, every time.

## 2. A-FRAME BRACE

One of the several types of adjustable wall supports that ensure a straight square structure, with or without water.

## 3. VERSA DECK BRACE

The use of versa deck braces permits concrete or other decking material to be installed immediately after the pool is installed, without waiting for the back to settle. The inverted "A" shape transfers the weight of the deck to the base of the wall using the outward pressure of the water to equalize the stress on the wall.



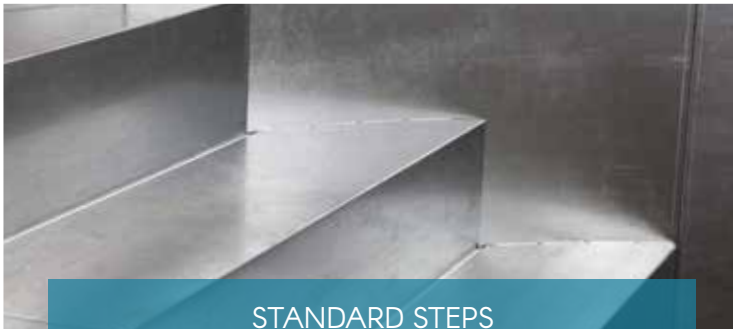
## STEEL STEPS OPTIONS



Cardinal's steel steps, benches, and entryways create an attractive and durable foundation for any dream pool. Whether choosing from our wide selection of standard steps or a completely custom idea, Cardinal stands ready with the most advanced manufacturing technology, design software, and handcrafted precision to ensure an accurate finished product, every time. All items are manufactured with 14-gauge steel or ZAM corrosion resistant steel, and include aluminum liner track for easy liner installation. Every new model is thoughtfully designed to ensure a "perfect-fit" when installed on-site, every time.

Cardinal offers standard, open pour, and modular steps for new builds, and even drop-in step options for renovation projects. Our fully accessible Step Finder Library allows you to explore available step models at our Cardinal facility.

*Quite simply, Cardinal steel steps and benches are unmatched for performance, function, and elegance.*



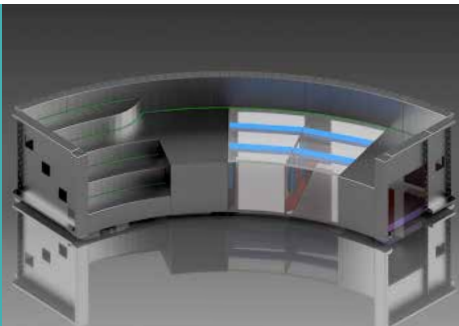
### STANDARD STEPS

Cardinal offers over 150 standard steel step and bench models available in any 42 or 48" height, and practically any shape. Custom entry steps, benches, lounges, and sundecks are our specialty, and can be manufactured to fulfill almost any design.



### OPEN POUR STEPS

We want YOU to have the flexibility to decide what is best for your Customer. Keep your options open and affordable with an Open Pour step, bench, or sundeck solution. Every step created by Cardinal is available as Open Pour, with step-by-step instructions for simple assembly on-site.



### Precision Design

Our precise design process allows for custom steps that go together with ease.



### Easy Installation

Easy in-field installation with confidence for a perfect fit.



### Beautiful Finish

Finished step creates a beautiful entrance to the completed pool.

## STEEL STEP OPTIONS

TEK SCREW FLANGE TO EXISTING POOL WALL

LINER TRACK

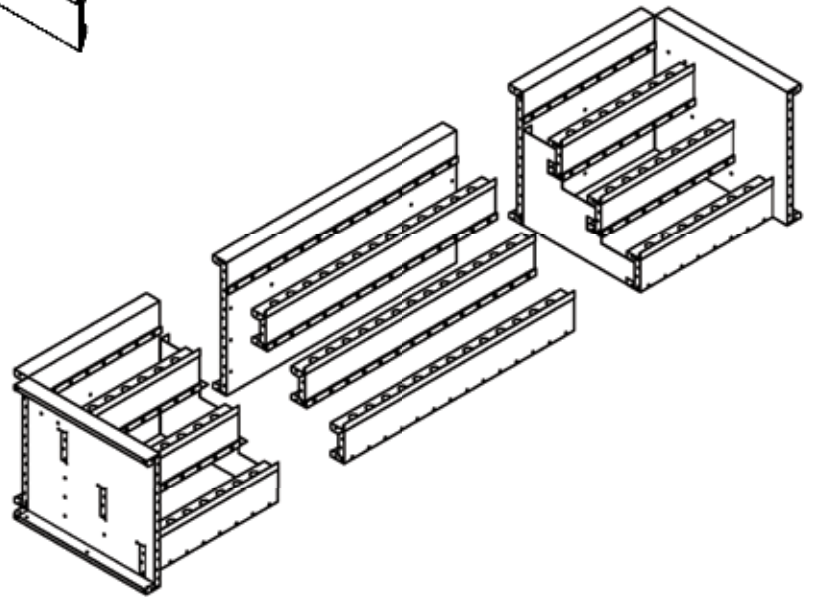
SCREED EDGE

### DROP-IN STEPS

Ideal for pool renovation projects where a step needs to be added, Drop-Ins can be easily set during a replacement liner installation. New Drop-In designs are created as Open-Pour, while our stock Drop-Ins have availability in solid Standard steel.

### MODULAR STEP SYSTEM

Knowing each pool is unique to its landscape and Customer, the Modular Step allows for an extended entryway to fit essentially any pool width. Customers choose a left, right, and appropriate quantity of middle sections to create an extended step module to fit the pool's specifications.



Check out the Cardinal Step Finder by scanning the QR Code or visiting: [cardinalpools.com/products/steel-steps-entries/](http://cardinalpools.com/products/steel-steps-entries/)



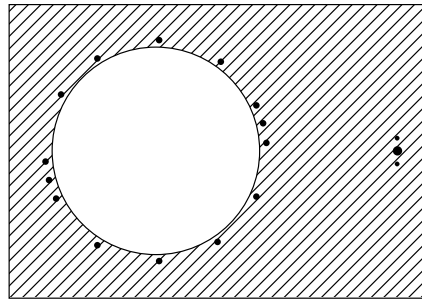
# PANELS

## REPAIR PANELS

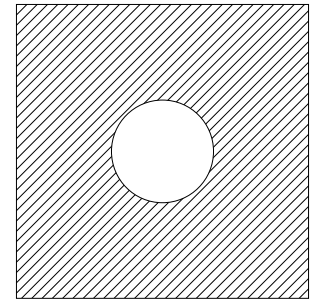
REPAIR PANELS	
ITEM NO.	DESCRIPTION
CSFIXBAD	20" x 25" Repair - Badu Jet
CSFIXJIF	18" x 18" Repair - Jiffy Lite
CSFIXLT	18" x 18" Repair - Light
CSFIXRT	18" x 18" Repair - Return
CSFIXSK	18" x 18" 1084 SKM Fix Panel
CSFIXSPA	18" x 18" Spa Bright Light Rep
CSFIXWS	18" x 24" 1085 SKM Fix Panel
CSFIXXX	18" x 18" Repair - Blank
CS-LIGHT DROP	Light Punch Drop

Used for renovations such as corrosion due to a leaky gasket. These panels pop-rivet to an existing panel.

\*Custom repair panels, available upon request.



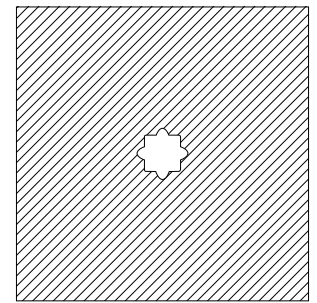
CSFIXBAD



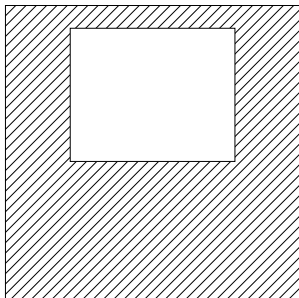
CSFIXJIF



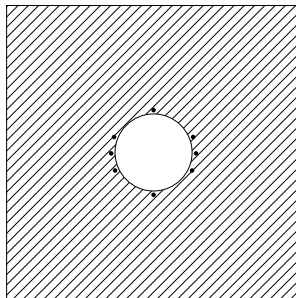
CSFIXLT



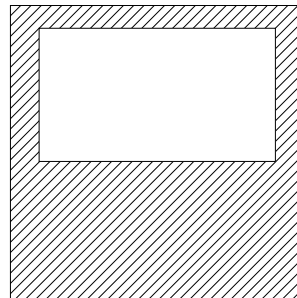
CSFIXRT



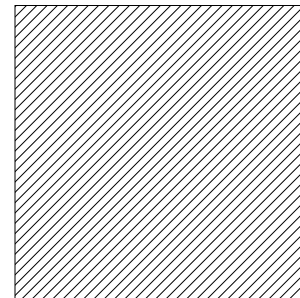
CSFIXSK



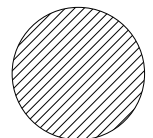
CSFIXSPA



CSFIXWS



CSFIXXX

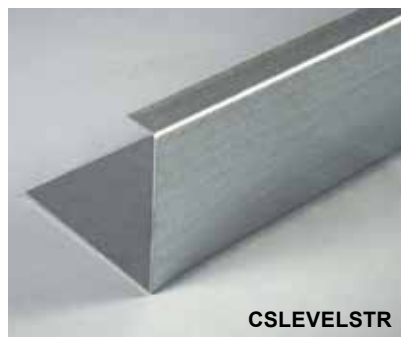


CS-LIGHT DROP

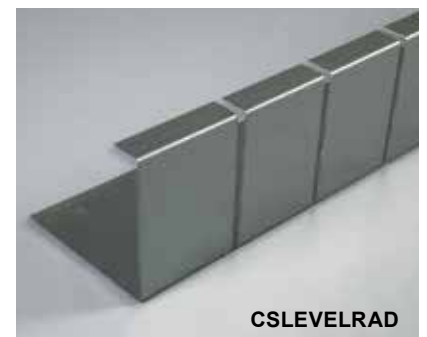
## LEVELER PANELS

LEVELER PANELS	
ITEM NO.	DESCRIPTION
CSLEVELSTR	1" x Flange O.D. x 6" x 8' Cap
CSLEVELRAD	1" x Flange O.D. x 6" x 6' Cap

Used to re-level the top of a panel due to settling. The leveler panels pop-rivet onto the top face of an existing panel.



CSLEVELSTR

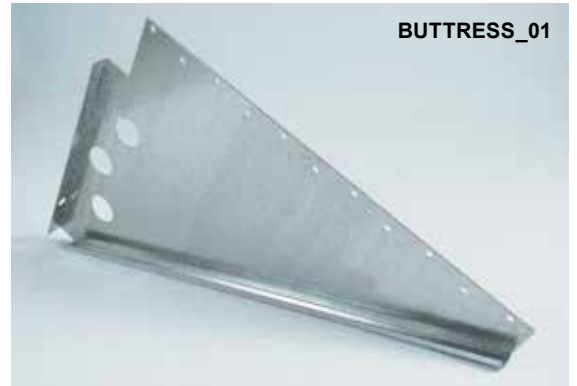


CSLEVELRAD

## ABOVE GROUND BUTTRESSES

ABOVE GROUND BUTTRESSES	
ITEM NO.	DESCRIPTION
BUTTRESS_01	Above Ground Buttress - ST
BUTTRESS_02	48" Above Ground Buttress - ST

For above ground pool applications. Replaces the 3 and 4 piece A-frame used on the inground frame.



## GRECIAN CORNER CAP

GRECIAN CORNER CAPS	
ITEM NO.	DESCRIPTION
CS000GC	Grecian Corner Cap - 6 1/2"

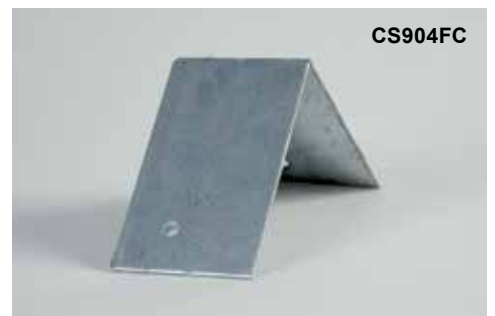
This piece ties corners together on a Grecian pool to give more rigidity on the top of the panels. This 45° angle helps keep the panels from pushing out and locks them into place.



## SMALL INSIDE CORNER CAP

SMALL INSIDE CORNER CAPS	
ITEM NO.	DESCRIPTION
CS904FC	Small Inside Corner Cap

This piece ties corners together on a 90° angle on pool panels and helps keep the panels from pushing out and locks them into place.



# SKIMMER SUPPORTS

## SKIMMER SUPPORT ANGLE

SKIMMER SUPPORT ANGLE	
ITEM NO.	DESCRIPTION
CS401SA	7" Skimmer Support Angle

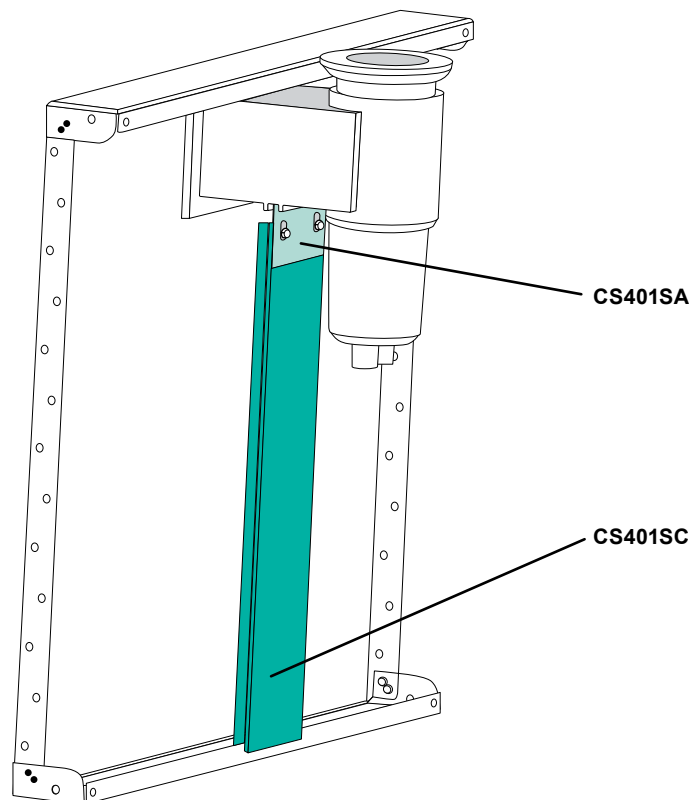
The skimmer support angle and channel both work together to support the skimmer. The angle is the top adjustable bracket.



## SKIMMER SUPPORT CHANNEL

SKIMMER SUPPORT CHANNEL	
ITEM NO.	DESCRIPTION
CS401SC	32" Skimmer Support Channel
CS448SC	Skim Support Chan/48" Panel

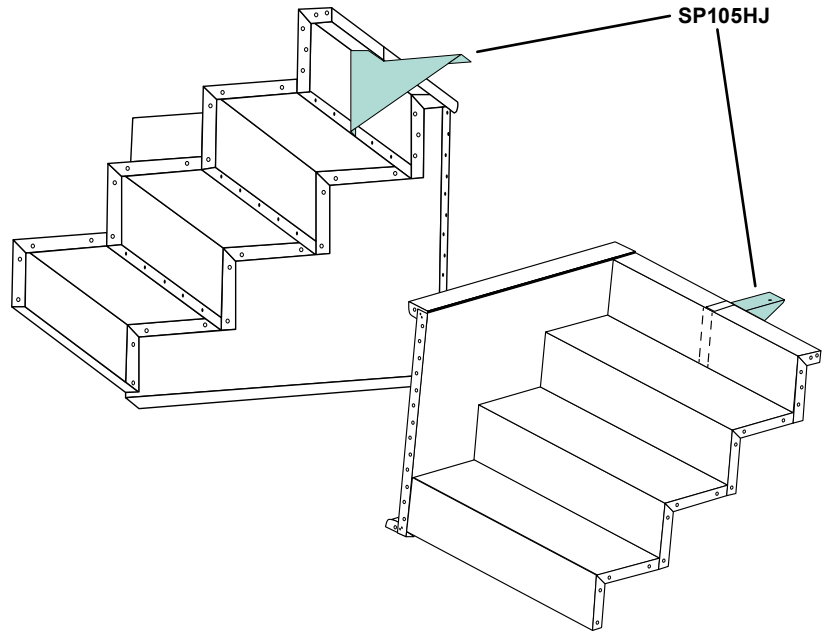
The skimmer support channel supports the skimmer to prevent cracking at the neck location due to settling. The channel clips to the flange.



## HANDRAIL JIG

HANDRAIL JIGS	
ITEM NO.	DESCRIPTION
SP105HJ	Handrail Jig

Allows for attachment of handrail sockets.



## VERTICAL LADDER JIG

VERTICAL LADDER JIGS - 42"	
ITEM NO.	DESCRIPTION
CS302VA	Vertical Ladder Jig

VERTICAL LADDER JIGS - 48"	
ITEM NO.	DESCRIPTION
CS348VA	Vert PC/Ladder Jig/48" Panel

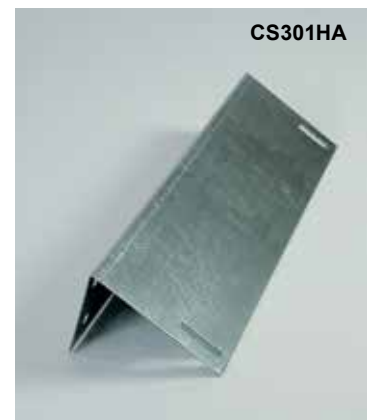
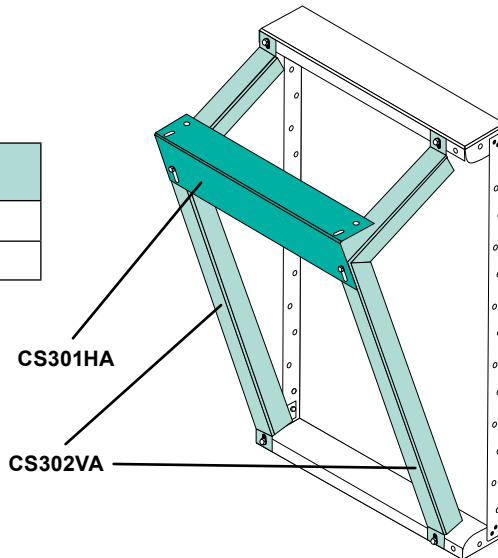
Allows for easy attachment of ladders to the deck.



## HORIZONTAL LADDER JIG

HORIZONTAL LADDER JIGS	
ITEM NO.	DESCRIPTION
CS301HA	Horizontal Ladder Jig

Allows for easy attachment of ladders to the deck.



# TURNBUCKLES

## ONE PIECE TURNBUCKLE

ONE PIECE TURNBUCKLE	
ITEM NO.	DESCRIPTION
CS600OPT	1 pc. Turnbuckle A-Frame
CS608DH	18" Drive Stake w/ Holes

\* The 1 pc. Turnbuckle A-Frame integrates a turnbuckle and notched short angle as one unit. The bottom of the turnbuckle is crimped to allow it to bend on the A-Frame Assembly.

## THREE PIECE TURNBUCKLE

THREE PIECE TURNBUCKLE	
ITEM NO.	DESCRIPTION
CS600TA	Turnbuckle Assembly
CS606ES	Notched Short Angle
CS608DH	18" Drive Stake w/ Holes

The 3 pc. Turnbuckle requires a turnbuckle and notched short angle that function as separate units. It also needs an 18" or 24" drive stake to be inserted into the notched short angle and used to support the Turnbuckle Assembly.

\*CS600OPT



CS606ES



CS608DH





# THREADED RODS

## THREE PIECE THREADED ROD

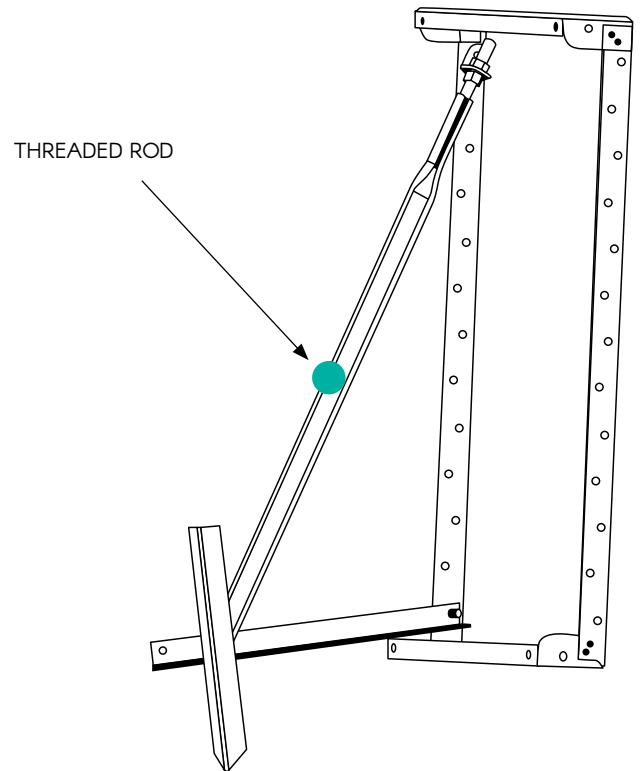
THREE PIECE THREADED ROD	
ITEM NO.	DESCRIPTION
CS602TR	Threaded Rod/ Bracket/ Nuts Assembled
CS606ES	Notched Short Angle
CS608DH	18" Drive Stake w/ Holes

Use to plumb panels.

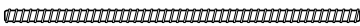
MISC.	
ITEM NO.	DESCRIPTION
CS619RB	18" Rebar 3/8" x 18" #3 Grade
CS624-12DH	24" Drive Stake w/ holes 12G
CS601TA	Threaded Rod
CS603TB	Threaded Angle Bracket
BP858HN	5/8" Hex Nut

Use to plumb panels.

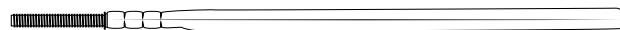
Threaded Rod A-Frame Assembly  
 \*Threaded rod, notched short angle, and drive stake  
 make up 3 pc. Threaded Rod A-Frame.



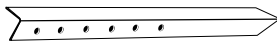
**CS619RB**



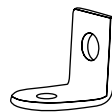
**CS601TA**



**CS624-12DH**



**CS603TB**



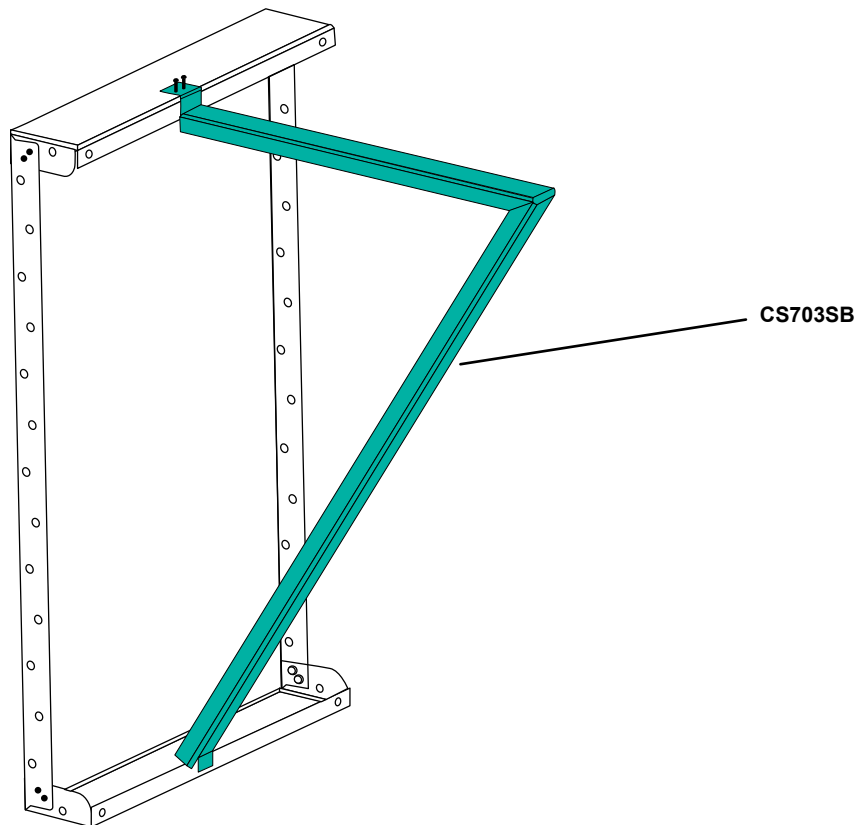
## ONE PIECE VERSA BRACE

ONE PIECE VERSA BRACE - 42"	
ITEM NO.	DESCRIPTION
CS703SB	One Piece Versa Deck Brace Angle
BP000TS	#12 Hex Tek Screw - 110 per box

ONE PIECE VERSA BRACE - 48"	
ITEM NO.	DESCRIPTION
CS703SB-48	One Piece Versa Brace Deck Angle/48"
BP000TS	#12 Hex Tek Screw - 110 per box



*Does not require bolt locations. Tek screws at the top and clips at the bottom.*



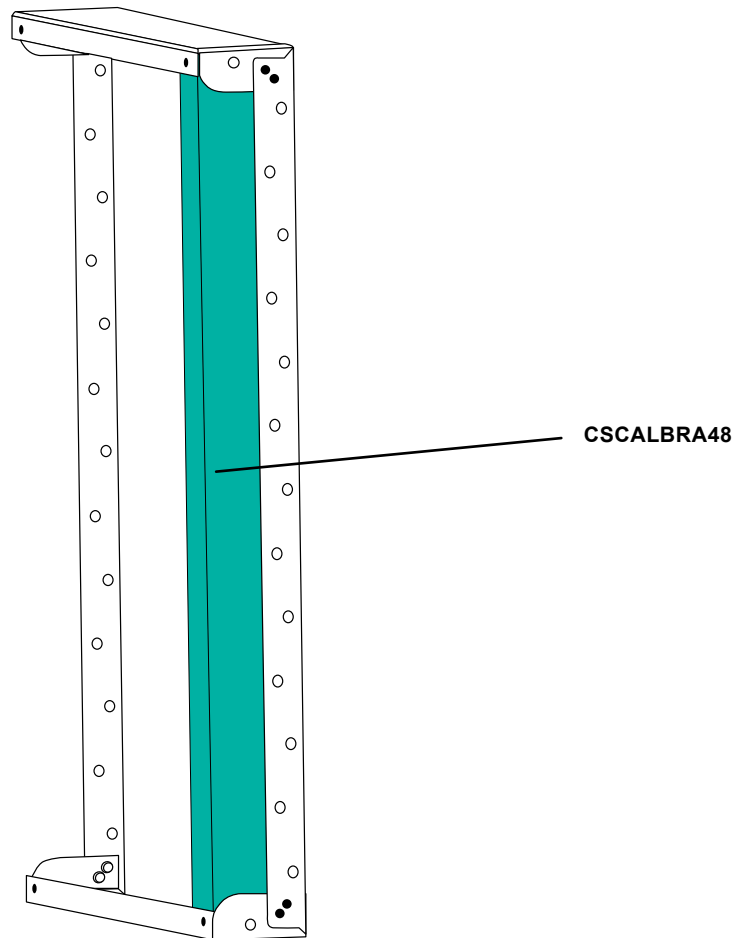
# CALIFORNIA BRACE

## CALIFORNIA BRACE

CALIFORNIA BRACE	
ITEM NO.	DESCRIPTION
CSCALBRA48	CA. Joint Brace - 48"

Standard Size. \*Other sizes are available.  
Acts as a joint stiffener.

\*Mandatory on all panels over 48".



## SQUARE CORNER ANGLES

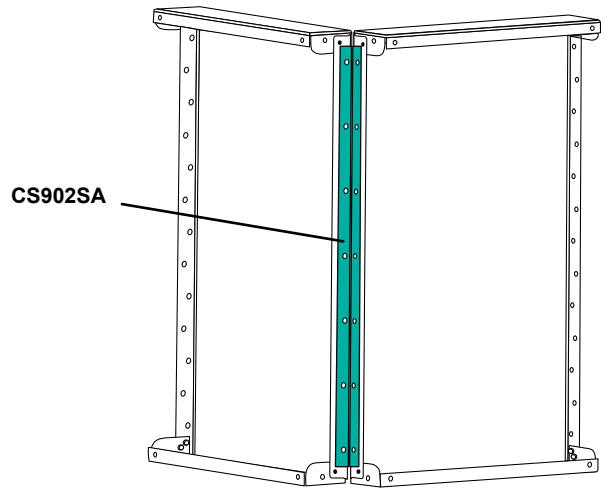
SQUARE CORNER ANGLES	
ITEM NO.	DESCRIPTION
CS902SA	Square Corner Angle
CS948SA	48" Square Corner Angle

Angles listed above are for 42" or 48" pool kits. \*Other sizes and angles are available.

Ties a 90° corner together.



CS902SA



CS902SA

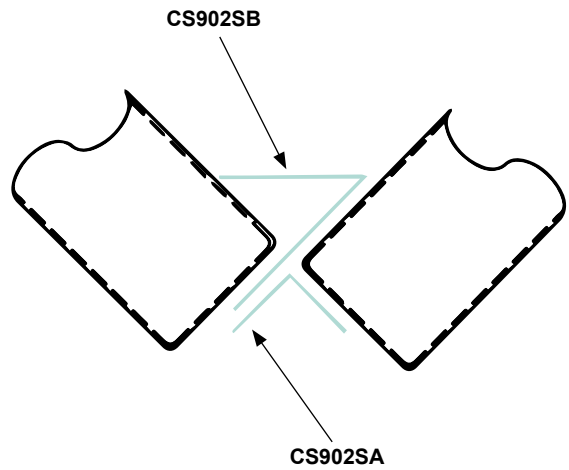
## BIG VEE ANGLE

BIG VEE ANGLES	
ITEM NO.	DESCRIPTION
CS902SB	Big Vee Angle (for 6" Radius)
CS948SB	48" Big Vee Angle
CS902SA	Corner Angle

6" radius diagonal filler.

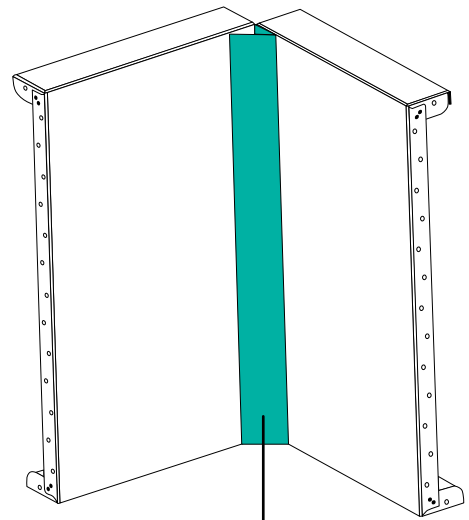


CS902SB



CS902SB

CS902SA



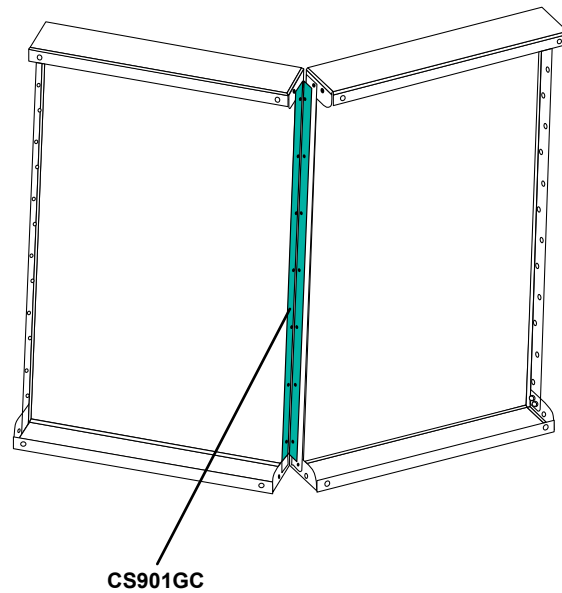
CS902SB

# CORNER ANGLES, INSERTS AND STEP ANGLES

## GRECIAN ANGLES

GRECIAN ANGLES	
ITEM NO.	DESCRIPTION
CS901GC	Grecian Corner Angle
CS948GC	48" Grecian Corner Angle

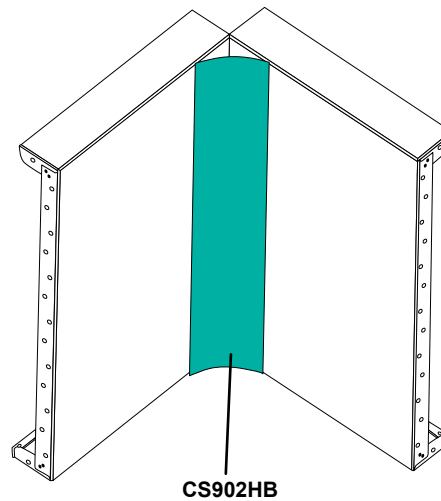
Ties a 45° corner together.



## INSERTS

INSERTS	
ITEM NO.	DESCRIPTION
CS902HB	Heldor, 6" Radius Corner Insert
CS903FC	Foam Inserts 3.5" 3.5 x 5 x 40

6" radius roll form filler.



## STEP ANGLES

STEP ANGLES	
ITEM NO.	DESCRIPTION
CS900GS	Grecian Step Angle

Attach a plastic or fiberglass stair or bench option to the panel.

Step Angles listed are for 42" pool kits. \*Other sizes and angles are available.



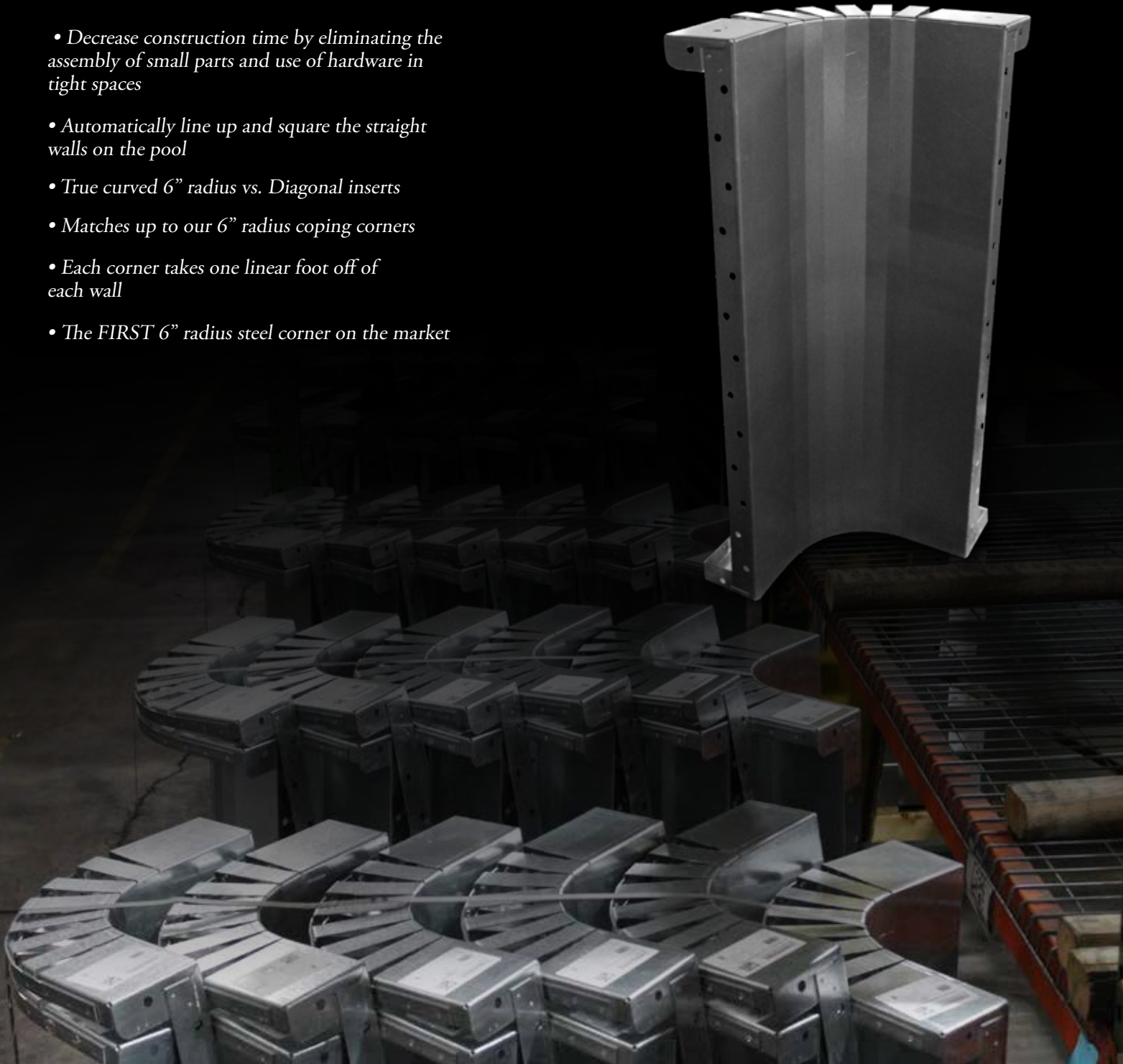


## 6" STEEL RADIUS CORNER PANELS

### 6" STEEL RADIUS CORNER PANELS

6" STEEL RADIUS CORNER PANELS	
ITEM NO.	DESCRIPTION
5C42193XX00600	6" Steel Radius Corner Panels (g235)
ZC42193XX00600	6" Steel Radius Corner Panels (ZAM)

- *Decrease construction time by eliminating the assembly of small parts and use of hardware in tight spaces*
- *Automatically line up and square the straight walls on the pool*
- *True curved 6" radius vs. Diagonal inserts*
- *Matches up to our 6" radius coping corners*
- *Each corner takes one linear foot off of each wall*
- *The FIRST 6" radius steel corner on the market*



## TEK SCREWS

TEK SCREWS	
ITEM NO.	DESCRIPTION
BP000TS	#12 Hex Tek Screw - 110 per box



## BENT BOLTS

BENT BOLTS	
ITEM NO.	DESCRIPTION
BP500JS	56 - 2" Bent Bolts w/ Nuts (BP838HN) (Grecian)



## BOLT PACKS

BOLT PACKS	
ITEM NO.	DESCRIPTION
BP216JS	216 Nuts/Bolts Per Pack
BP192JS	192 Nuts/Bolts Per Pack



## 7' DROP-IN STEP BOLT PACK

DROP-IN STEP BOLT PACKS	
ITEM NO.	DESCRIPTION
BP500DS	20 Hex Screws (BP375HB) 12 Stair Clips (SP0746) 26 Slotted Flathead Screws (BP834MB) 26 Bolts with Nuts (BP810MB) 52 3/8" Serrated Hex Nuts (BP838HN) per pack



## LARGE STEP BOLT PACKS

LARGE STEP BOLT PACKS	
ITEM NO.	DESCRIPTION
BP810MB	Bolts w/ Nuts (BP838HN)
SP0746-12	Stair Clips



## VERSA BRACE BOLT PACKS

VERSA BRACE BOLT PACKS	
ITEM NO.	DESCRIPTION
BP000TS	#12 Hex Tek Screw - 110 per box





# THE BACKYARD POOLSCAPE SERIES: A PLUNGE POOL COLLECTION

The thought of owning a pool is often a dream, and remains a dream for today's average Homeowner. It may be that your backyard is 'too small' or your budget won't accommodate a standard pool. Perhaps your busy lifestyle doesn't mesh with the longterm upkeep and maintenance that a large luxury item requires.

*That may be too much, but an empty yard is not enough... right?*

To today's Homeowner, we *hear you*, we *see you*. You want a space that you can unwind, and simply *escape to* to after a long day. Our *Backyard Escape Series* is a plunge pool collection that offers luxury and paradise on a smaller, more manageable scale. Whatever it's purpose—relaxation, exercise/rehabilitation, a gathering place, a peaceful escape...this collection will allow you to **Eescape to what is meant for you.**

# Size & Shape



Rectangle

8' x 16' • 10' x 20' • 12' x 24'

All sizes include Poured Step

**Optional Additions:** Sundeck,  
Drop-in Deep End Bench



Oval

8' x 16'

Includes Poured Step

**Optional Addition:**  
Drop-in Deep End Bench



Oasis

9' x 20'

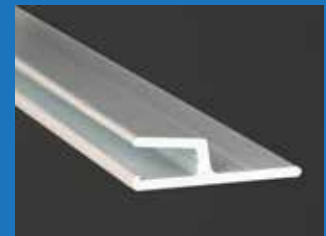
Includes Poured Step

**Optional Addition:**  
Drop-in Deep End Bench

# Coping Options



CARDINAL'S CR  
COPING



CARDINAL'S HZ  
LINER TRACK



## Features

All Plunge Pool Kits Include:

- 54" high galvanized steel walls
- Turnbuckle braces
- Versa braces
- 1 Skimmer panel & 1 Return panel
- Choice of Cardinal's CR or HZ coping

*(Autocover capabilities with no coping option)*

## Upgrade

with a Cardinal Luxury Spa:

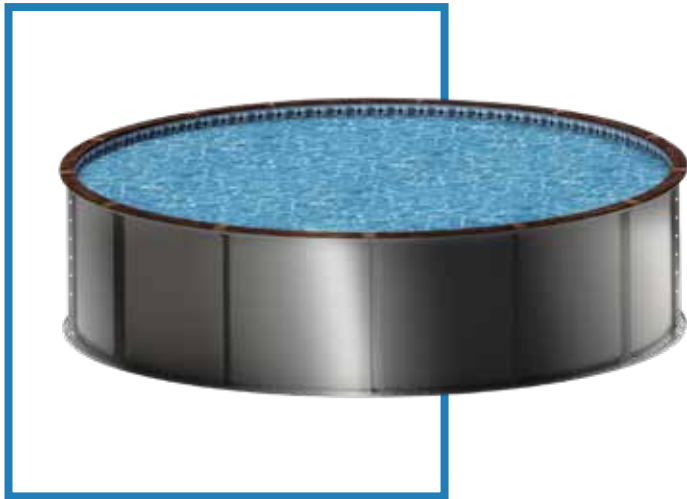
- Sterling Silver or Storm Cloud Colors
- Standard or Spillover (waterfall effect)
- Round or Square Shapes
- Interior Embossed Wave Detail
- 12 or 25 Jet Systems
- Easy Entry Steps
- Built-in Filtration
- Hydrotherapy Stainless Steel Jets
- Adjustable Air Control

# ULTIMATE POOL

Experience



Our Ultimate Pool designs provide the ultimate versatility. Whatever the landscape requires or your customer's dream idea consists of, the Ultimate Pool comes in shapes and sizes to fit any space. Whether inground, above ground, or semi-inground, all Ultimate Pool walls and buttress supports are made with galvanized steel and state-of-the-art ZAM coating to provide long-lasting protection from corrosion, and are backed by a lifetime warranty. ***Your Ultimate Pool experience begins with us!***



## FLEXIBLE INSTALLATION

The Ultimate is offered in four standard shapes and multiple sizes. As an additional option, our round shape option can be assembled as an above ground pool in addition to inground and semi-inground. The grecian, modified rectangle, and oval shapes must be submerged in the ground at least 24”.

## DURABILITY

ZAM coating provides long lasting protection from corrosion on our walls and buttress supports. Combining this with a concrete bonding ring on oval, grecian, and modified rectangle pools provides lasting strength in any soil.



## BUTTRESS

The 14-gauge ZAM coated steel buttress, when combined with a concrete bond beam, provides wall support for straight walls on Oval, Modified Rectangle, Grecian, and Oasis pools. The buttress support system helps ensure the pool walls are straight and will last the lifetime of the pool.

## CUSTOMIZATION

Customization is the Cardinal way, and Ultimate Pools are no exception. Your customers can tailor their choices to fit their needs for style and functionality.



# ULTIMATE POOLS

SIZES & SHAPES	SQUARE FEET	GALLONS
15' ROUND	184	5,500
18' ROUND	250	7,400
21' ROUND	370	11,000
24' ROUND	459	13,600
15 x 23 OVAL	307	9,100
15 x 31 OVAL	430	12,800
18 x 34 OVAL	535	15,900
**12 x 22 GRECIAN	236	7,000
14 x 30 GRECIAN	390	11,600
16 x 32 GRECIAN	500	14,900
18 x 38 GRECIAN	649	19,300
20 x 40 GRECIAN	793	23,600
12 x 26 MODIFIED RECTANGLE	340	10,000
14 x 34 MODIFIED RECTANGLE	513	15,200
18 x 34 MODIFIED RECTANGLE	652	19,400
18 x 38 MODIFIED RECTANGLE	727	21,600
20 x 42 MODIFIED RECTANGLE	888	26,400
**13 X 21 OASIS	214	6,300
16 X 28 OASIS	328	9,700
18 X 32 OASIS	457	13,600

## SHAPE YOUR SPACE

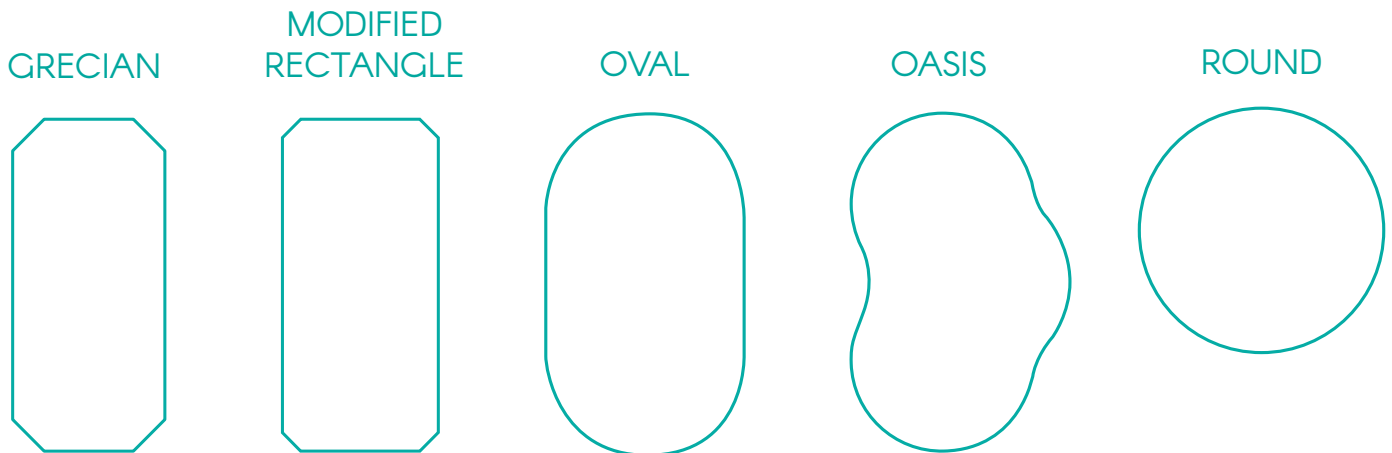
Cardinal's variety of Ultimate Pool styles provide you the ability to give your Customers the right look & fit for their environment.

The Ultimate Pool can be installed above ground, semi-inground, or completely inground in either our standard Grecian, Oval, Round, Modified Rectangle or Oasis shapes.

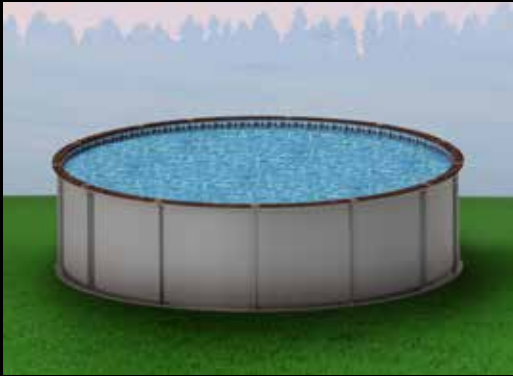


\* Note: Standard Water Depth in all Ultimate Pools is 4'.

\*\* Not available with Quaker thermoplastic Stair Option



PLEASE NOTE: All Ultimate Pools are non-diving pools for Customers' safety.



ABOVE GROUND



SEMI-INGROUND



INGROUND

# Limitless

## INSTALLATION POSSIBILITIES



Grecian, Oval, Modified Rectangle, and Oasis are available in multiple size options for each. They can also be installed completely inground, semi-inground, or above ground.

*A reliable foundation with*  
**52" TALL ZAM CORROSION RESISTANT STEEL WALLS**

# CORROSION RESISTANT STEEL FOR THE *ULTIMATE* PROTECTION



**Galvanized**  
**18**  
**Months**



**ZAM®**  
**28**  
**Months**

ZAM is the most effective non-corrosive coating for steel panels in the industry. ZAM is a hot-dip coated steel sheet that has a layer of Zinc, 6% Aluminum, and 2% Magnesium. The effects of magnesium and aluminum together allow our ZAM coated panels to have excellent corrosion resistance, scratch resistance, and formability.

ZAM offers superior protection against corrosion on Salt Generator Pools, up to 5x's more effective than standard galvanization. It also offers increased protection when servicing areas with a high water table or acidic ground conditions.

Customization of panels is still achievable, as the steel can be bent and formed without the coating cracking on the edges. Cardinal's ZAM coated steel is covered by a lifetime, 1-time transferable warranty.

## ZAM BENEFITS:



### SUPERIOR TO OTHER LIKE PRODUCTS

ZAM's unique chemical composition of Zn, Al and Mg combines to form a firm coating layer. This unique coating develops thin film byproducts unlike that of competitors, that are remarkably corrosion resistant—even over cut edges.



### ECO-FRIENDLY

ZAM's corrosion resistance will allow customers to significantly reduce coating thickness which benefits the environment. Specifically, reducing coating thickness effectively decreases the amount of minerals mined from the earth, reduces harmful runoff dispersed into the soil, and reduces coating residue at steel recycling plants.



### PROTECTION ON CUT EDGES

When the ZAM coating layer corrodes in the rain, Zn and Mg flow over the cut edge. These elements form a fine zinc-based protective film that helps ensure a long product life even against harsh elements.

## CUSTOMIZATION

Customization is the Cardinal way, and it doesn't stop with the Ultimate Pool. With a variety of optional add-on features, your Customers can upgrade their pool to satisfy functional necessities, as well as style preferences and aesthetic.

Each shape comes with 4 options to customize:

1. Synthetic Wood
2. PC Bullnose Coping
3. Synthetic Wood & Quaker Thermoplastic Step
4. PC Bullnose Coping & Quaker Thermoplastic Step

\*Please note, vinyl liners and ladders are no longer included in the Ultimate Kits. We have partnered with 5 preferred liner manufacturers to ensure the highest-quality liners will be installed.

## ULTIMATE POOL KITS

All Ultimates come equipped as Kits with the necessary product, hardware, and step-by-step installation instructions for a hassle-free build on the job site. **All kits include:**

- 14-gauge galvanized ZAM coated steel walls and buttress supports (if needed)
- Top Rail (chosen by Customer)
- Inground quality skimmer and return
- Hardware, drive stakes, and joint covers

## BUILD MORE POOLS

Ultimate Pool Kits come with all materials and step-by-step instructions to make the build a breeze. For seasoned pool professionals, **Ultimates should take significantly less time** to complete than a fully custom inground pool build. For new builders or builders in training, this is an ideal build to get them started and gain experience.

All Ultimates can be ordered as one part number. This saves you time and planning, and Builders can rely on a complete kit to arrive at the job site, *every time*.



# CONCEPTS IN PLASTICS

Quaker Plastics provides a wide range of products to the swimming pool and construction industries: pool steps, deck and paver drains, liner locks and control joints help to provide a complete offering for backyards and patios. Quaker also produces specialty items for industrial and consumer products.

Our trusted reputation to provide engineering solutions is backed by a proven and high-quality product line produced with our state-of-the-art manufacturing processes.



### DECK/PAVER DRAINS

Made of all-weather, rigid PVC and available in several designer colors, our drains can match your landscape needs for color and function. The drains are constructed with a concave top for superior drainage and minimal debris collection. Our design provides for less clogging, and for handling more water volume than comparably sized competitive drains. The deck drains can be mounted flush against the wall, and are ready to install with tops and base assembled, screws, connections, protective tape, and instruction sheet included in the packaging.

### DISCHARGE HOSE

Quaker Plastics boasts the highest-quality vinyl discharge hose in the industry – 20% thicker than competitors. The hose is available in various sizes and lengths for both the pro and the homeowner. Convenient spools are ideal for the trucks of Installers and Service Professionals. Smaller rolls, which include a stainless steel clamp, are shrink-wrapped for best shelf visibility and easier handling.

### ACCESSORIES & RENOVATION PRODUCTS

We offer an accessory product line for additional needs specific to the pool industry. In addition, we offer an array of products for repair and up-sell during renovation projects.

# COLOR GUIDE

## COLOR GUIDE FOR DECK DRAINS AND CONCRETE PRODUCTS



PAVER GRAY

*(for paver drain and paver overlay only, 2" Paver Drain, Streamline, and 1" Paver Overlay include Paver Gray.)*



GRAY

*(for all stock products except pavers)*



WHITE

*The color representations have been printed as closely as possible to actual colors, however, product color may vary from photograph.*



TAN

THE FOLLOWING QUAKER PRODUCTS ARE AVAILABLE IN THE COLORS TO THE LEFT:

- 3" Water Hog® Deck Drain and Fittings
- 4" Water Hog® Deck Drain and Fittings
- 2" Paver Drain and Fittings
- 1" Paver Overlay
- 2" Square Drain System and Fittings
- Deck Drain-A-Way® and Fittings
- Streamline and Fittings
- Replacement Caps

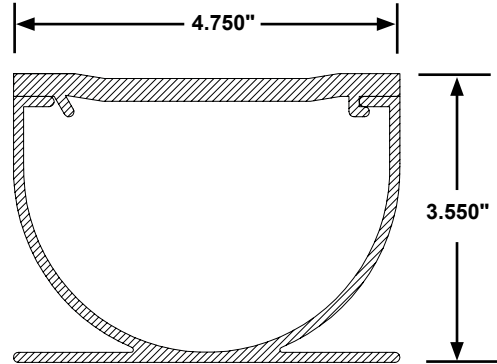


# DECK DRAINS

## QP-6251: 4" WATER HOG®



### 4" DECK DRAIN SYSTEM WITH GRAY BASE

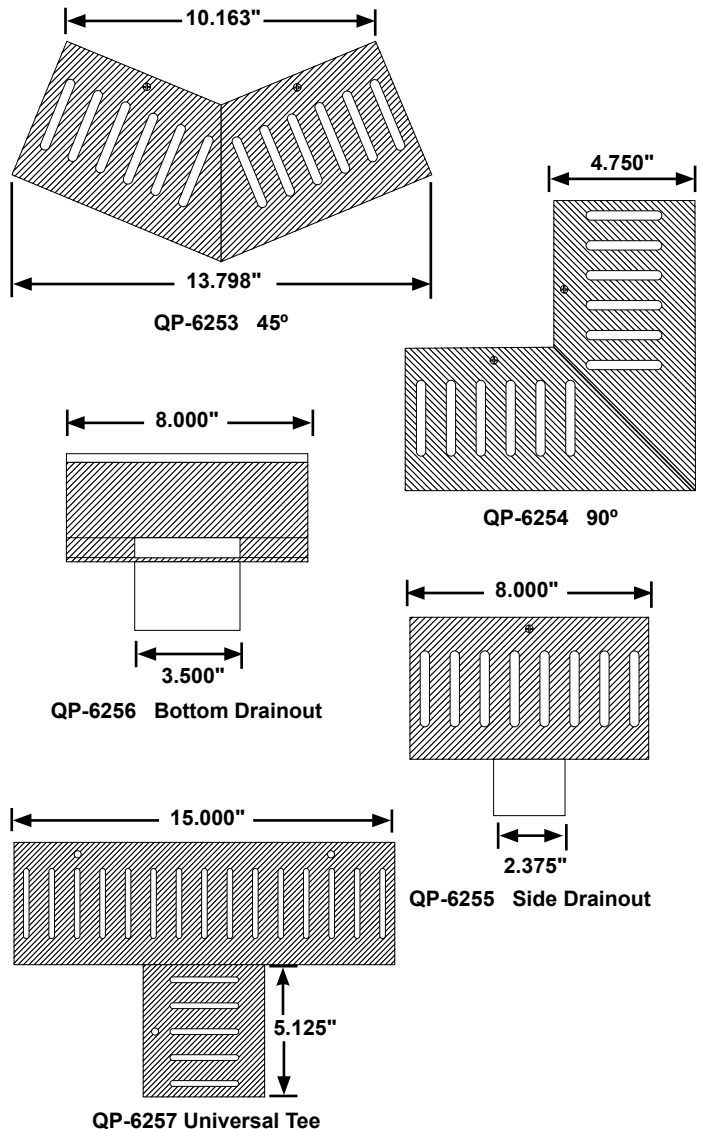


### 4" WATER HOG® FITTINGS

FITTINGS FOR 4" DECK DRAIN SYSTEM FIT ITEM #: QP-6251 AND QP-6252

4" WATER HOG® MODEL NUMBERS		
Available Colors: white, gray, and tan (W,G,T)		
ITEM NO.	LENGTH	PACKAGING
QP-6251 (W,G,T)	6 ft.	24 ft./case, four 6-foot pcs.
QP-6252 (W,G,T)	10 ft.	40 ft./case, four 10-foot pcs.
Case includes four connectors, one extra screw packet, protective tape, and one instruction sheet. 6 ft. is able to ship UPS, 10 ft. is not.		

4" WATER HOG® FITTINGS		
Available Colors: white, gray, and tan (W,G,T)		
ITEM NO.	STYLE FITTING	PER CASE
QP-6253 (W,G,T)	45°	1
QP-6254 (W,G,T)	90°	1
QP-6255 (W,G,T)	Side Drainout	1
QP-6256 (W,G,T)	Bottom Drainout	1
QP-6257 (W,G,T)	Universal Tee	1
QP-4951 (W,G,T)	4" Drain Tops only, 6' length	8
QP-4973	Connector (gray only)	1
QP-496A	End Plug/End Adapter Kit	1 ea.
QP-496B	End Adapter (gray fitting, white base plate)	1
QP-496C	End Plug (gray fitting, white base plate)	1

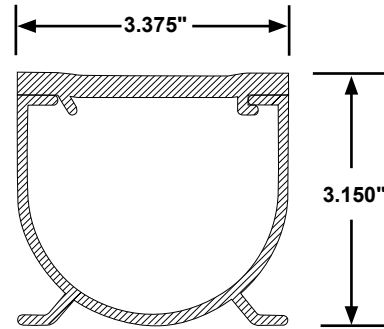


# DECK DRAINS

## QP-6241: 3" WATER HOG®

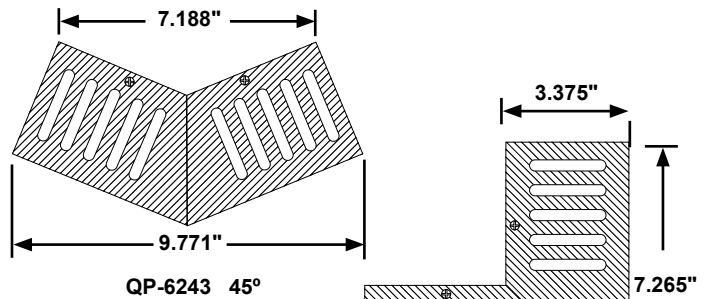


### 3" DECK DRAIN SYSTEM WITH GRAY BASE



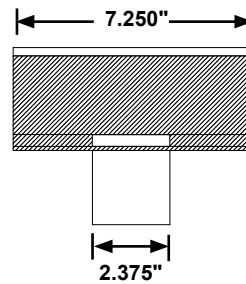
### 3" WATER HOG® FITTINGS

FITTINGS FOR 3" DECK DRAIN SYSTEM FIT ITEM #: QP-6241 AND QP-6242

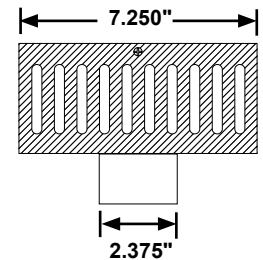


QP-6243 45°

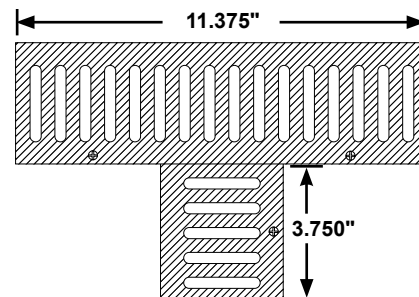
QP-6244 90°



QP-6247 BOTTOM DRAINOUT



QP-6248 SIDE DRAINOUT



QP-6245 UNIVERSAL TEE

### 3" WATER HOG® MODEL NUMBERS

Available Colors: white, gray, and tan (W,G,T)

ITEM NO.	LENGTH	PACKAGING
QP-6241 (W,G,T)	6 ft.	48 ft./case, eight 6-foot pcs.
QP-6242 (W,G,T)	10 ft.	60 ft./case, six 10-foot pcs.

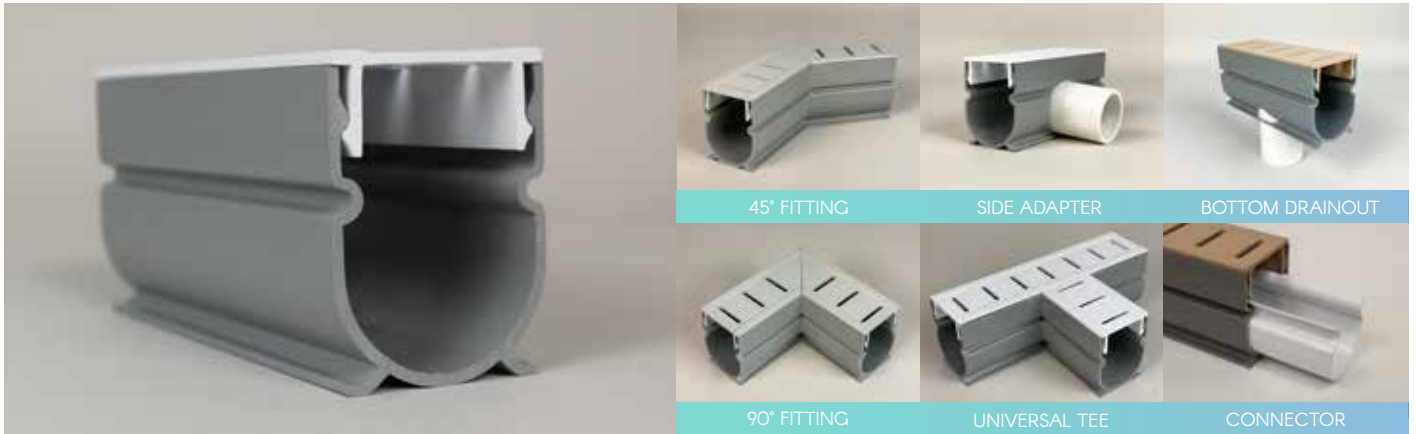
Case includes connectors (8 pcs. in 6-ft. case, 6 pcs. in 10-ft. case), one extra screw packet, protective tape, and one instruction sheet. 6 ft. is able to ship UPS, 10 ft. is not.

### 3" WATER HOG® FITTINGS

Available Colors: white, gray, and tan (W,G,T)

ITEM NO.	STYLE FITTING	PER CASE
QP-6243 (W,G,T)	45°	2
QP-6244 (W,G,T)	90°	2
QP-6245 (W,G,T)	Universal Tee	2
QP-6247 (W,G,T)	Bottom Drainout	2
QP-6248 (W,G,T)	Side Drainout	2
QP-5701 (W,G,T)	3" Drain Tops only, 6' length	8
QP-5712	Connector (gray only)	1
QP-572A	End Adapter (gray fitting, white base plate)	1
QP-572B	End Plug (gray fitting, white base plate)	1
QP-572C	End Plug/End Adapter Kit	1 ea.

## QP-6972: 2" REMOVABLE TOP DECK DRAIN



Not shown: End Cap (QP-5181-1 & 5182-1).

### 2" REMOVABLE TOP DRAIN MODEL NUMBERS

Available Colors: white, gray, and tan (W,G,T)

ITEM NO.	LENGTH	PACKAGING
QP-6972W	10 ft.	80 ft./case, eight 10-foot pcs.
QP-6972G	10 ft.	80 ft./case, eight 10-foot pcs.
QP-6972T	10 ft.	80 ft./case, eight 10-foot pcs.

*Includes four adapters in a box of eight.*

### BENEFITS OF 2" REMOVABLE TOP DECK DRAIN SYSTEM

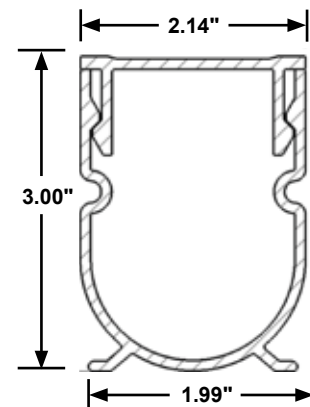
- Heavy wall, bondable, drain system and all components are made from rigid PVC, proven in years of outdoor applications with lasting beauty.
- Adapts to all standard 1½" plastic fittings.
- Joints bond together like PVC pipe, with PVC connectors supplied.
- Removable top for easy clean out.
- Drain offers heavier walls than existing systems, as well as greater rigidity and durability.
- Strong water volume capacity.
- Taped top for extra strength when peeling off after concrete is in place.
- Smooth concave top surface provides better drainage and minimizes collection of dirt and debris.

### 2" REMOVABLE TOP DRAIN FITTINGS

Available Colors: white, gray, and tan (W,G,T)

ITEM NO.	STYLE FITTING	PER CASE
QP-6973 (W,G,T)	45°	2
QP-6974 (W,G,T)	90°	2
QP-6978 (W,G,T)	Side Adapter	2
QP-6977 (W,G,T)	Bottom Drainout	2
QP-6975 (W,G,T)	Universal Tee	2
QP-6976*	End Cap	4
QP-6979*	End Drain Out	1 pc.
QP-6413-1	Connectors (white)	1 pc.
QP-6411-1	Connectors (gray)	1 pc.

*\*Available in WHITE ONLY*



# DECK DRAINS

## QP-5171: 2" SQUARE DRAIN SYSTEM

U.S. Patent No. 6,729,795



Adaptable to standard 1 1/2" fittings and stands on its own feet for easy upright installation.

Not shown: End Cap (QP-5181-1 & 5182-1), and Surface clean-out plug (QP-988-1).

### 2" SQUARE DRAIN SYSTEM MODEL NUMBERS

Available Colors: white, gray, and tan (W,G,T)

ITEM NO.	LENGTH	PACKAGING
QP-5171 (W,G,T)	10 ft.	80 ft./case, eight 10-foot pcs.

Includes eight connectors (QP-5981-1), two surface clean-out plugs (QP-988-1), double-protective tape, and one instruction sheet.

### 2" SQUARE DRAIN SYSTEM FITTINGS

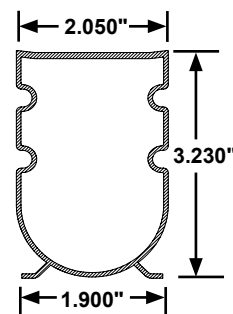
Available Colors: white, gray, and tan (W,G,T)

ITEM NO.	STYLE FITTING	PER CASE
QP-5172 (W,G,T)	45°	8
QP-5173 (W,G,T)	90°	8
QP-5174 (W,G,T)	Side Adapter	4
QP-5175 (W,G,T)	Bottom Drainout	4
QP-5176 (W,G,T)	Universal Tee	4
QP-5181-1*	End Cap, 3 1/8" length	1 pc.
QP-5182-1*	End Cap, 1" length	1 pc.
QP-988-1*	Surface Clean-out Plugs	1 pc.
QP-5981-1*	Connectors	1 pc.

\*Available in WHITE ONLY

### BENEFITS OF 2" SQUARE DRAIN SYSTEM

- Heavy wall, bondable, drain system and all components are made from rigid PVC, proven in years of outdoor applications with lasting beauty.
- Adapts to all standard 1 1/2" plastic fittings.
- Joints bond together like PVC pipe, with PVC connectors supplied.
- Clean-outs adapt to 1 1/2" threaded (purchased locally) or connector (supplied) for end clean-outs with either threaded or slip end cap.
- Should a surface clean-out hole be desired, simply drill a 1" hole and snap in our clean-out fitting. To clean, remove plug and flush with hose. There are two supplied in every carton.
- Drain offers heavier walls than existing systems, as well as greater rigidity and durability.
- Strong water volume capacity.
- Taped top for extra strength when peeling off after concrete is in place.
- Smooth concave top surface provides better drainage and minimizes collection of dirt and debris.



## QP-3701: DECK DRAIN-A-WAY® SYSTEM II

U.S. Patent No. 4,490,067 Canada Patent No. 1,221,043



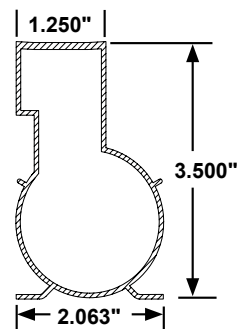
Adaptable to standard 1½” fittings and stands on its own feet for easy upright installation.

DECK DRAIN-A-WAY® SYSTEM II MODEL NUMBERS		
Available Colors: white, gray, and tan (W,G,T)		
ITEM NO.	LENGTH	PACKAGING
QP-3701 (W,G,T)	8 ft.	72 ft./case, nine 8-foot pcs.
<i>Includes nine connectors (QT-125-1), two surface clean-out plugs (QP-988-1), double-protective tape, and one instruction sheet.</i>		

DECK DRAIN-A-WAY® SYSTEM II FITTINGS		
Available Colors: white, gray, and tan (W,G,T)		
ITEM NO.	STYLE FITTING	PER CASE
QP-3702 (W,G,T)	45° Inside	4
QP-3703 (W,G,T)	45° Outside	4
QP-3704 (W,G,T)	90° Inside	4
QP-3705 (W,G,T)	90° Outside	4
QP-3706 (W,G,T)	Universal Tee	4
QP-3709 (W,G,T)	Bottom Drainout	4
QP-1031-1*	Top End Caps	1 pc.
QP-988-1*	Surface Clean-out Plugs	1 pc.
QT-125-1*	Connectors	1 pc.
<i>*Available in WHITE ONLY</i>		

### BENEFITS OF DECK DRAIN-A-WAY® SYSTEM II

- Heavy wall, bondable, drain system and all components are made from rigid PVC, proven in years of outdoor applications with lasting beauty.
- Adapts to all standard 1½” plastic fittings.
- Joints bond together like PVC pipe, with PVC connectors supplied.
- Clean-outs adapt to 1½” threaded (purchased locally) or connector (supplied) for end clean-outs with either threaded or slip end cap.
- Should a surface clean-out hole be desired, simply drill a 1” hole and snap in our clean-out fitting. To clean, remove plug and flush with hose. There are two supplied in every carton.
- Drain offers heavier walls than existing systems, as well as greater rigidity and durability.
- Strong water volume capacity.
- Taped top for extra strength when peeling off after concrete is in place.
- Smooth concave top surface provides better drainage and minimizes collection of dirt and debris.



# DECK DRAINS

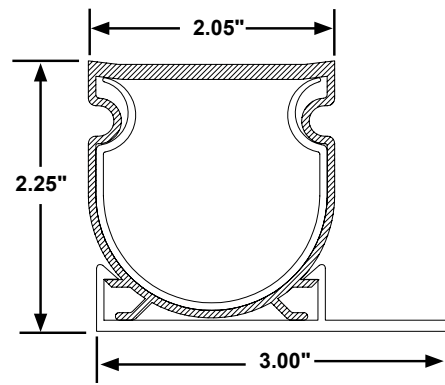
## QP-6401: 2" PAVER DRAIN



PAVER DRAIN MODEL NUMBERS		
<i>Available Colors: white, paver gray, and tan (W,G,T)</i>		
ITEM NO.	LENGTH	PACKAGING
QP-6401 (W,G,T)	10 ft.	80 ft./case, eight 10-foot pcs.
<i>Includes eight connectors (QP-6411-1 or QP-6413-1), 48 securing clips (QP-1003), double-protective tape, and instruction sheet.</i>		

PAVER DRAIN FITTINGS		
<i>Available Colors: white, paver gray, and tan (W,G,T)</i>		
ITEM NO.	STYLE FITTING	PER CASE
QP-6402 (W,G,T)	45°	10
QP-6403 (W,G,T)	90°	10
QP-6404 (W,G,T)	Bottom Drainout	4
QP-6405	End Plug (white only)	4
QP-6406 (W,G,T)	Tee Fitting	4
QP-1003	Securing Clips (white only)	48
QP-6411-1	Connector (paver gray)	1 pc.
QP-6413-1	Connector (white)	1 pc.
QP-5183-1	End Cap (white only)	1 pc.
QP-988-1	Clean Out Plug (white only)	1 pc.

- 2 $\frac{3}{8}$ " Paver Height - designed for standard pavers.
- Tan, gray and white - three designer colors to match the latest paver styles.
- Securing clips - packaged complete with 48 clips for locking underneath pavers. Alternate side-to-side or all on one side to fit flush with walls.
- Concave top - ensures superior drainage, minimizes debris collection.
- Ready to install - includes eight connectors, securing clips (six per 10' length), protective tape, and instruction sheet.
- Adapts to all standard 1 $\frac{1}{2}$ " plastic fittings.



BOTTOM WIDTH INCLUDES SECURING CLIP.  
ALL DIMENSIONS ARE NOMINAL.

## QP-7201: STREAMLINE | LOW PROFILE DRAIN

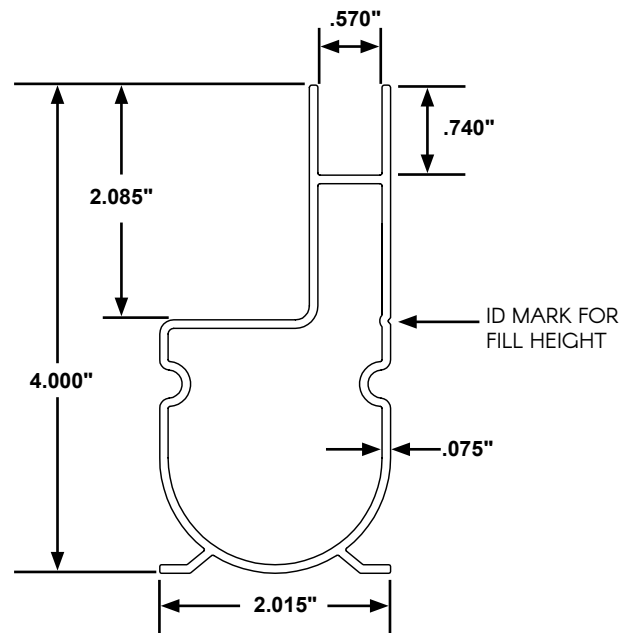


STREAMLINE MODEL NUMBERS		
<i>Available Colors: white, paver gray, and tan (W,G,T)</i>		
ITEM NO.	LENGTH	PACKAGING
QP-7201 (W,G,T)	8 ft.	48 ft./case, six 8-foot pcs.
<i>Case includes 6 connectors and instruction sheet.</i>		

Streamline is the unique drain from Quaker Plastics. With its slim opening, Streamline blends seamlessly into the most elegant patio or deck.

- Visible entry channel only 1/2" wide.
- Recyclable, protective, removable filler strip for installation, no tape/no residue.
- Designed for pavers and concrete decks.
- Available in white, gray, and tan.
- Adapts to all standard 1 1/2" plastic fittings.

STREAMLINE FITTINGS		
<i>Available Colors: white, paver gray, and tan (W,G,T)</i>		
ITEM NO.	STYLE FITTING	PER CASE
QP-7202 (W,G,T)	45° Inside Corner	2
QP-7203 (W,G,T)	45° Outside Corner	2
QP-7204 (W,G,T)	90° Inside Corner	2
QP-7205 (W,G,T)	90° Outside Corner	2
QP-7206 (W,G,T)	Bottom Drainout	2
QP-7207	End Cap - (1 left, 1 right)	2
QP-6413-1	Connector (white)	1

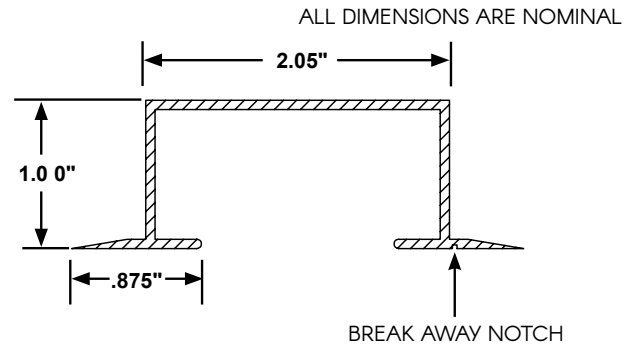


## QP-6611: 1" PAVER OVERLAY



The 1" Paver Overlay is perfect for renovation.

1" PAVER OVERLAY MODEL NUMBERS		
<i>Available Colors: white, paver gray, and tan (W,G,T)</i>		
ITEM NO.	LENGTH	PACKAGING
QP-6611W (white)	5 ft.	100 ft./case, twenty 5-foot pcs.
QP-6611G (paver gray)	5 ft.	100 ft./case, twenty 5-foot pcs.
QP-6611T (tan)	5 ft.	100 ft./case, twenty 5-foot pcs.
<i>Includes Double-protective tape and one instruction sheet.</i>		



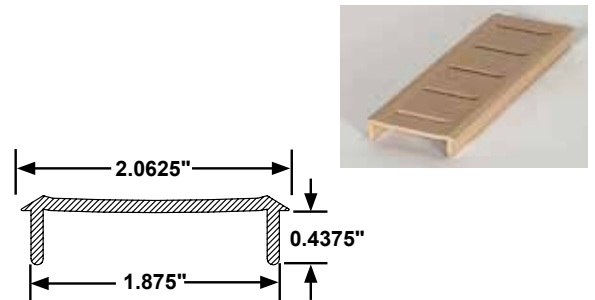
One-inch Paver Overlay is perfect for renovating an old, damaged deck. The overlay is easily installed on top of the old drain between the new surface paver stones, blending seamlessly with your landscape projects. Considerable expense is avoided in digging up old drain and replacing with a new system. Simpler and less time-consuming than replacement caps.

- Twenty (20) 5-foot lengths (100 ft./case).
- One side of overlay is notched for easy break-a-way for use against flat surfaces.
- Available in white, gray, and tan.
- UPS able carton.

## QP-595: REPLACEMENT CAP FOR QUAKER DECK DRAIN

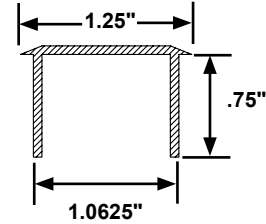
REPLACEMENT CAP FOR QUAKER DECK DRAIN		
MODEL NUMBERS		
<i>Available Colors: white, gray, and tan (W,G,T)</i>		
ITEM NO.	LENGTH	PACKAGING
QP-595 (W,G,T)	5 ft.	100 ft./case, twenty 5-foot pcs.

Ideal to repair common 2" drain systems. Fits Quaker's 2" Square Drain (QP-5171). Simply saw out damaged area, insert replacement drain top, and bond it in place.



### QP-255I: REPLACEMENT CAP FOR COMMON DECK DRAIN

REPLACEMENT CAP FOR COMMON DECK DRAIN MODEL NUMBER		
<i>Available Colors: white, gray, and tan (W,G,T)</i>		
ITEM NO.	LENGTH	PACKAGING
QP-2551 (W,G,T)	4 ft.	96 ft./case, twenty four 4-foot pcs.

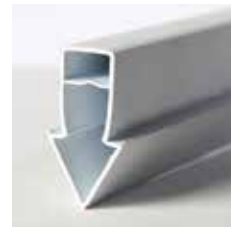
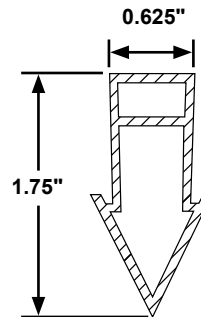


Ideal to repair commonly used drain systems. Fits Quaker's Deck Drain-A-Way® (QP-3701). Simply saw out damaged area and insert Quaker's replacement drain top and bond it in place.

### QP-781: ARROWHEAD™ CONTROL JOINT

U.S. Patent No. 4,548,009

ARROWHEAD™ CONTROL JOINT MODEL NUMBERS		
<i>Available Colors: white</i>		
ITEM NO.	LENGTH	PACKAGING
QP-781 (W)	12 ft.	240 ft./case, twenty 12-foot pcs.



Unique arrow-shape presses easily into concrete - no channels to obstruct installation. Locks into concrete with minimum water seepage. A layer of peel off tape protects the top during installation.

## DISCHARGE HOSE AND LINER LOCKS

### QT-131, 132, 133, 261, 262: HEAVY DUTY DISCHARGE HOSE

HEAVY DUTY DISCHARGE HOSE MODEL NUMBERS		
ITEM NO.	LENGTH	ROLLS PER CASE
QT-131*	1½" x 25' with clamp	6
QT-132*	1½" x 50' with clamp	6
QT-133	1½" x 200' without clamp	1
QT-261	2" x 200' without clamp	1
QT-262*	2" x 50' with clamp	5

\* Available in shrink-wrap packaging.



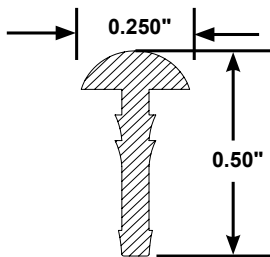
- Highest quality vinyl discharge hose, 20% thicker than the competition.
- Most popular sizes are shrink-wrapped in retail-friendly packaging for best shelf visibility and easier handling.
- Stainless steel clamp included with retail-size rolls.
- Color-coded for easy identification and convenient inventorying.
- Highest quality made in America.

### LINER BEAD WEDGE LOCK

LINER BEAD WEDGE LOCK MODEL NUMBERS			
ITEM NO.	LENGTH	COLOR	PACKAGING
QP-1561	1500 ft.	White	1 spool
QP-1562	120 ft. per bag	White	12 bags per box
QP-1564	120 ft. per bag	Blue	12 bags per box
QP-1566	120 ft. per bag	Black	12 bags per box
QP-1568	120 ft. per bag	Gray	12 bags per box
QP-1560-Variety	120 ft. per bag	White, Black, Gray, & Blue	3 bags of each color (12 bag total in case)



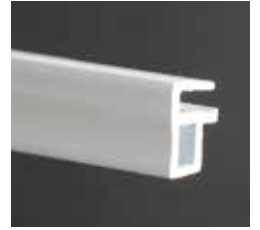
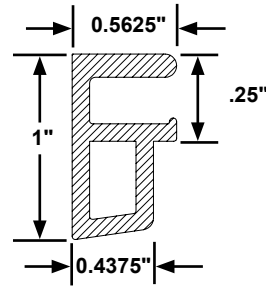
High-quality flexible vinyl designed as a wedge (or shim) to secure liner bead to coping track. Available in white, blue, black, and gray.



## QP-521: SIDE MOUNT LINER TRACK

SIDE MOUNT LINER TRACK MODEL NUMBER		
ITEM NO.	LENGTH	PACKAGING
QP-521	8 ft.	400 ft./case, fifty 8-foot pcs.

Mounts on the side of pool walls to hold liner securely. Ideal for pools in which coping cannot be easily removed or for installing liners in concrete pools. White PVC.

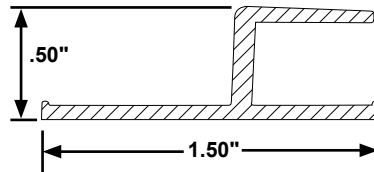


ALL DIMENSIONS ARE NOMINAL

## QP-531: TOP MOUNT LINER TRACK

TOP MOUNT LINER TRACK MODEL NUMBER		
ITEM NO.	LENGTH	PACKAGING
QP-531	8 ft.	512 ft./case, sixty four 8-foot pcs.

Ideal for new pools or installing a liner in a pool with easily removable coping or with broken coping. Install Top Mount Liner Track on top of the pool wall to hold liner securely. White PVC.



ALL DIMENSIONS ARE NOMINAL

## QP-532: 6" RADIUS CORNER FOR TOP MOUNT LINER TRACK

TOP MOUNT LINER TRACK MODEL NUMBERS		
ITEM NO.	LENGTH	PACKAGING
QP-532	24 in.	set of four 24 in. pcs.

Perfectly matches Top Mount Liner Track (QP-531). These pre-notched corner lengths are easily shaped by hand to form any corner up to a 6" radius. White PVC.

### QP-532

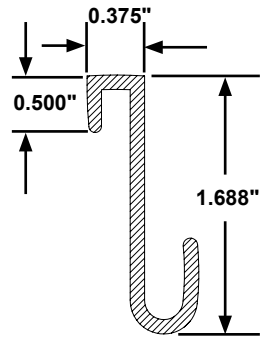


# LINER HANGERS

## QP-2581: ABOVE GROUND POOL REPLACEMENT LINER HANGER

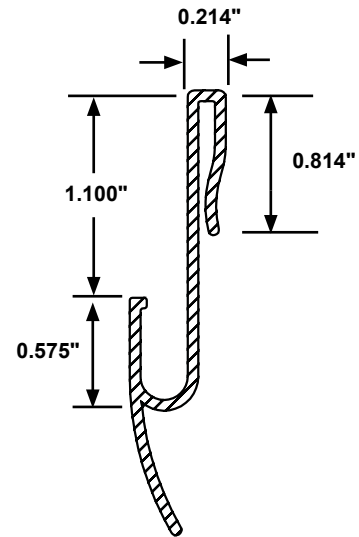
ABOVE GROUND POOL REPLACEMENT LINER HANGER		
ITEM NO.	LENGTH	PACKAGING
QP-2581	56 in.	266 ft./case, fifty seven 56 in. pcs.

Hanger fits on top of pool walls to provide a liner bead receiver. Liners fit better with fewer or no wrinkles, conforms to pool interior. Easy to change liners, no need to disassemble pool. White PVC.



## QP-7141: DELUXE ABOVE GROUND POOL REPLACEMENT LINER HANGER

DELUXE ABOVE GROUND POOL REPLACEMENT LINER HANGER		
ITEM NO.	LENGTH	PACKAGING
QP-7141	56.5 in.	188 ft./case, forty 56.6" in. pcs.



# LINER HANGERS

## QP-2681: CERAMIC TILE HOLDER FOR NEW POOLS

CERAMIC TILE HOLDER MODEL NUMBER		
ITEM NO.	LENGTH	PACKAGING
QP-2681	6 ft.	120 ft./case, twenty 6-foot pcs.

You can create the elegant look of a higher cost pool just by adding real tile to an ordinary vinyl liner pool built with Quaker's patented tile/coping system. Practical, as well as stylish, real tile protects the vinyl from ultraviolet deterioration that is so common in the Sunbelt.

This unique system has been tested for over thirty years on hundreds of pools and has withstood the harsh winters of the Northeast with amazing durability. Frost proof tiles are available from local tile distributors. Accommodates a 6" x 6" tile. White PVC.



## QP-3162: SIGN HOLDER WITH "NO DIVING" SIGNAGE

SIGN HOLDER WITH "NO DIVING" SIGN MODEL NUMBER		
ITEM NO.	LENGTH	PACKAGING
QP-3162	3½" h x 16¾"w	200 sign holders with sign affixed per case
QP-3162-1	3½" h x 16¾"w	Single Piece



The white plastic sign holder is ideal to display "No Diving" signs in new or existing vinyl liner pools. Patented lock-in edge snaps in above the existing liner bead.

The Sign Holder can be easily inserted around the pool as recommended by pool manufacturers. Here's a simple, clean, effective, and low cost way to equip all pools with important safety signage.

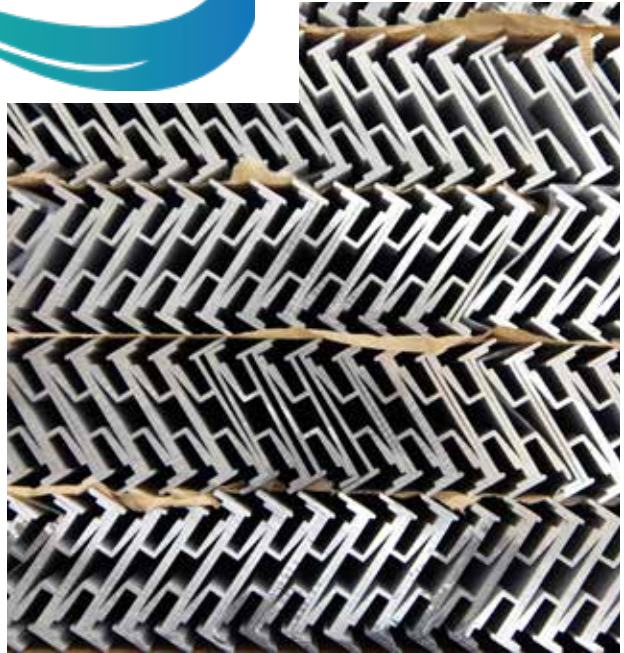




# COPING & LINER TRACK

Cardinal uses only the finest quality materials for all its manufacturing, and coping is no exception. Our aluminum coping starts with a 6063 alloy aluminum, which is extruded, then electrostatically-coated with a paint finish that is baked on. Our white, gray, and tan painted aluminum finish is:

- Pretreated with a non-chrome zinc base
- Electrostatic-applied wet polyester paint
- Cured at 350 degrees in aging oven



## FABRICATION METHODS

### Cut and Weld

Cutting and welding is used to make angled transitions and odd corners that are unable to be bent. A non-bendable coping profile can be cut and welded in segments to create different radii.

### Custom Fabrication and Coping Profiles

Cardinal is able to fabricate coping to meet almost any need, from free-form pools to odd plastic step kits to milling for water features. Cardinal has created many proprietary extrusions for customers. If you have a requirement for a custom or proprietary extrusion, please contact our Customer Service Department at 570-385-4733 or via email at [customerservice@cardinalsystemsinc.com](mailto:customerservice@cardinalsystemsinc.com). We will be happy to discuss a solution for your requirements.

*Please Note: If Cardinal coping or liner track is used in conjunction with a salt generator, all warranties from the extruder will be null and void. Cardinal Systems will not be liable for salt generator damage.*

## COPING INSTALLATION TIPS

### Coping Installation

Coping profiles are attached to steel and polymer walls using self-tapping tek screws. Cardinal recommends placing these at intervals no greater than every 18".

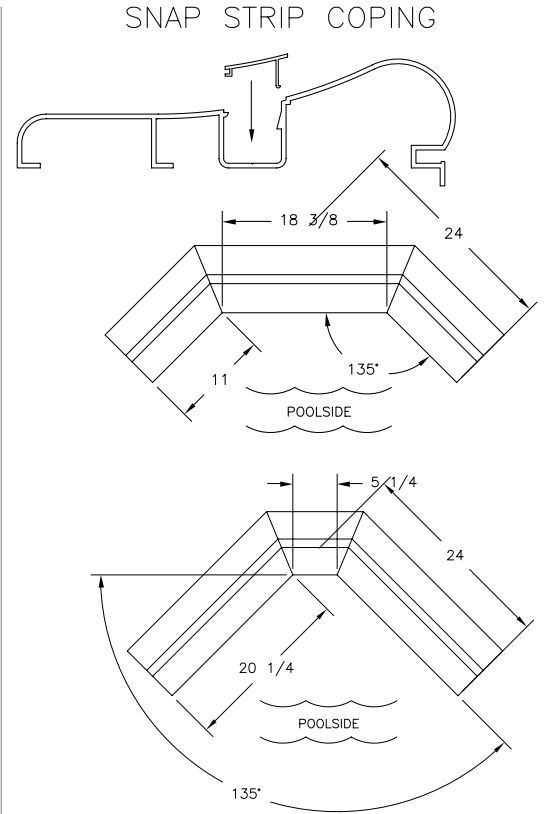
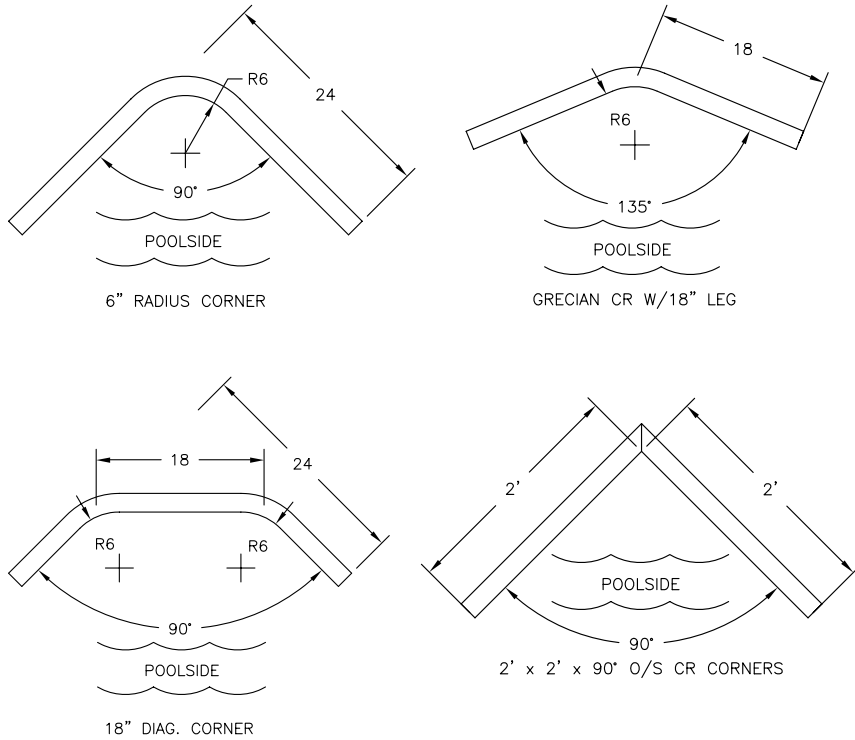
When coping is made for a pool, typically there will be some extra length that will need to be trimmed in the field. This is the best way to ensure a proper fit for each job. Though a hack saw will cut through most aluminum extrusions, Cardinal recommends using a miter saw, outfitted with an aluminum cutting blade for the most professional results. Coping profiles that form the finished edge of the pool, such as bullnose coping, will require coping clips to cover the joint between each piece of coping.

### Bonding

Because Cardinal's coping is made from aluminum, it will need to be properly bonded. Follow your federal, state, and local electrical codes to be sure that coping is properly bonded.

## COPING CORNER LENGTHS INSTALLATION

Shown below are corner lengths and dimensions.



## COLOR GUIDE



NON-SKID WHITE



NON-SKID GRAY

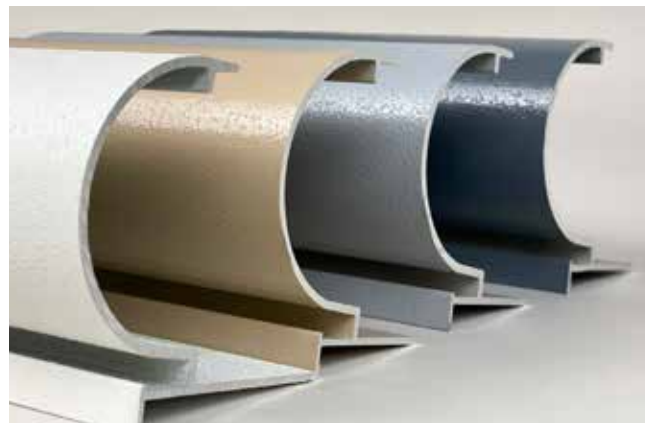


NON-SKID TAN



NON-SKID DARK GRAY

The color representations have been printed as closely as possible to actual colors, however, product color may vary from photograph.

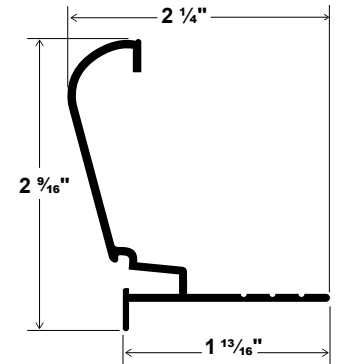
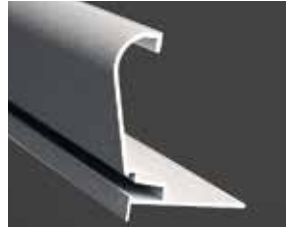


# BULLNOSE COPING

## PC

PC BULLNOSE COPING	
ITEM NO.	COLOR
PCW	Non-skid white
PCG	Non-skid gray

Straights: 8' and 12' Lengths  
 Radius: 4', 6', and 8' Lengths

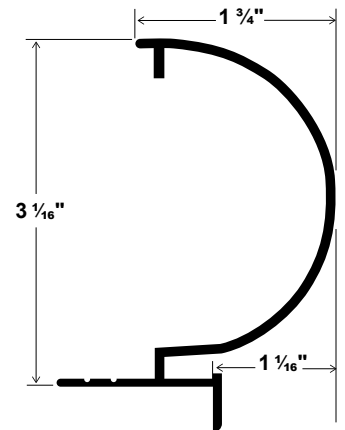
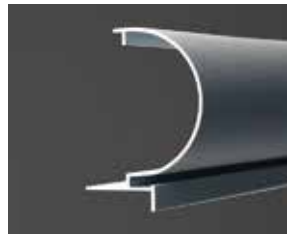


## CB

CB BULLNOSE COPING	
ITEM NO.	COLOR
CBW	Non-skid white

The CB coping has 3" profile and is similar in height to the original Helder style coping.

Straights: 8' and 12' Lengths  
 Radius: 4', 6', and 8' Lengths

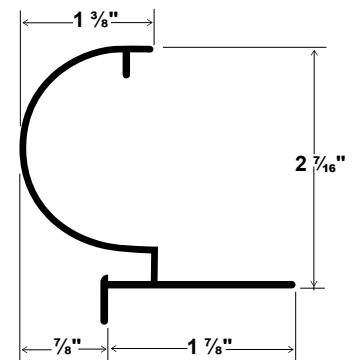
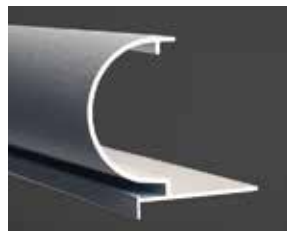


## CR

This coping is also referred as "CP2".

CR BULLNOSE COPING	
ITEM NO.	COLOR
CRW	Non-skid white
CRG	Non-skid gray
CRT	Non-skid tan
CRDG	Non-skid dark gray

CRW - Straights: 8' and 12' Lengths  
 CRG, CRT & CRDG - Straights: 8' Length  
 All Radius: 4', 6', and 8' Lengths



We recommend using a bead roller to help lock liner bead into the liner receiver on all our liner tracks and coping.

# BULLNOSE COPING

## CAP LOCK COPING

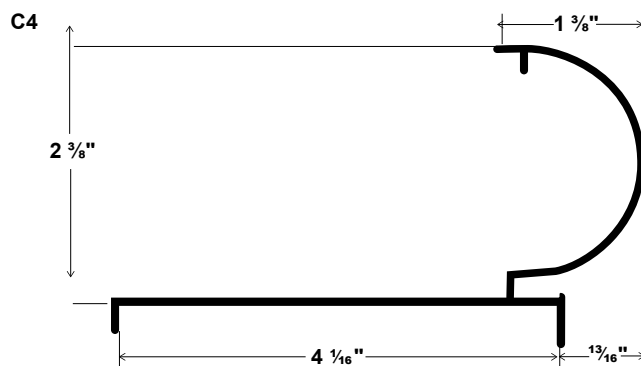
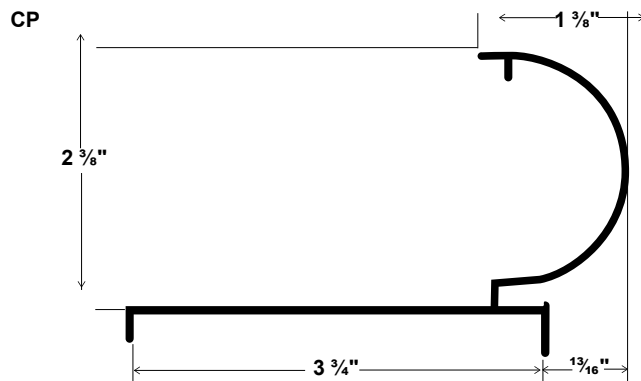
### CP/C4

CP/C4 BULLNOSE COPING	
ITEM NO.	COLOR
CPW	Non-skid white
C4W	Non-skid white

The CP fits 3 3/4" flange polymer panels. The C4 fits 4" flange polymer panels. CPW is for Polymer Wall pools.

CPW - Straights: 8'

C4W - Straights: 12' Lengths



CP and C4 may be combined with the CR coping profiles to build corners and radius curves.

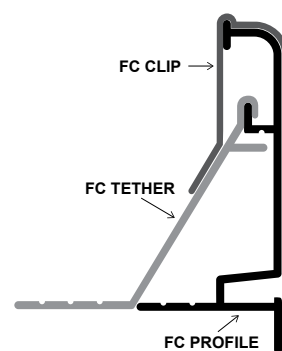
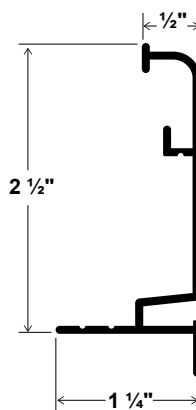


## FC

FC BULLNOSE COPING	
ITEM NO.	COLOR
FCW	Non-skid white
FCG	Non-skid gray

The FC is the only Bullnose Coping that can be bent in the field. This will allow for less SKUs and is available in notched. Clips and tethers support brace are sold separately.

8' Lengths



\*Tethers are recommended every 2' and at joints.

Flex coping is not recommended for corners 2' rad or smaller.



## TOP MOUNT

All liner track is made from heavy-duty, aluminum extrusion that is electrostatically coated.

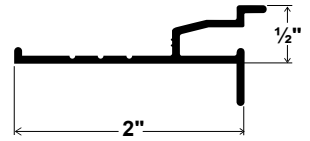
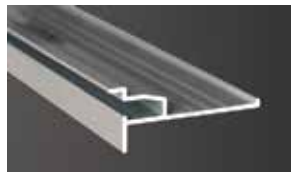
**Custom Fabrication:** Can be bent to fit any shape, including standard 6", 2', or 4' radius, Grecian corners, and steps. Ask about fabrication for other corner shapes.

Available in 8 ft. lengths only.

15 or 25 per case.

### T2

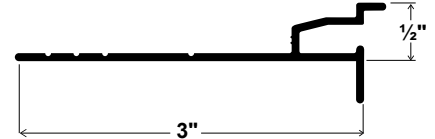
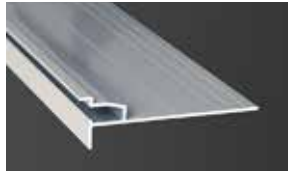
T2 TOP MOUNT TRACK	
ITEM NO.	COLOR
T2W	white
T2G	gray



2" Top Mount Track is used for steel, polymer and concrete wall pools. The T2 is available in notched or straight lengths. Track works with Modern Moulding cantilever forms.

### T3

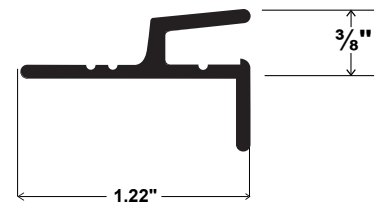
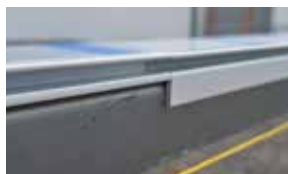
T3 TOP MOUNT TRACK	
ITEM NO.	COLOR
T3W	white



3" Top Mount Track is used for steel, polymer and concrete wall pools. The T3 is available in notched or straight lengths. Track works with Modern Moulding cantilever forms.

### HZ

HZ TOP MOUNT TRACK	
ITEM NO.	COLOR
HZW	white
HZG	gray



HZ Top Mount Track is used for steel and polymer wall pools. The HZ is available in notched or rollbent. **Old and new tracks can be used together.**



All of our liner tracks are available in standard and custom notched lengths for free-form pools and radius corners.

# LINER TRACK

## SIDE MOUNT

All liner track is made from heavy-duty, aluminum extrusion that is electrostatically coated. Angled side mount track for reducing gap under old coping. Available in **WHITE** only.

Available in 8 ft. lengths only.

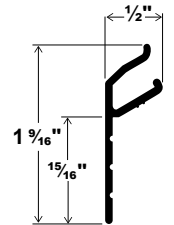
15 or 25 per case.

### AS

AS SIDE MOUNT TRACK	
ITEM NO.	COLOR
ASW	white

The AS is available in 8' straight, 8' notched and 6" radius notched lengths. White only. The AS is designed to fit snugly under old pool coping, eliminating the gap other side mount tracks leave between coping and receiver track.

1. Turned-up lip reduces gap opening under old coping.
2. Includes nail and screw guides.
3. Angled receiver secures liner bead to prevent slipping.
4. Longer length allows more area to attach to wall.



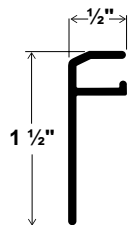
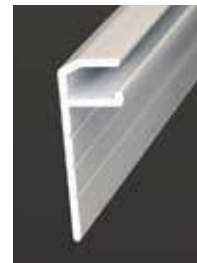
### SM

SM SIDE MOUNT TRACK	
ITEM NO.	COLOR
SMW	white

The SM is available in 8' straight, 8' notched and 6" radius notched lengths. White only. For radius and free-form pools, use SM, a notched track that can be bent to conform to almost any radius.

This side mount track has these improved features:

1. Receiver area shortened 1/8" to bring liner closer to pool wall.
2. More screw guides to keep self-drilling screws from wandering when drilling through mounting flange to pool wall.
3. Longer mounting flange for easier attachment to different types of pool wall.

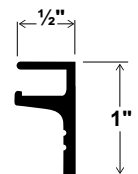


### VT

SM SIDE MOUNT TRACK	
ITEM NO.	COLOR
VTW	white

The VT is available in white only. It can be bent to fit any shape, including standard 6", 2' or 4' radius corners as well as steps.

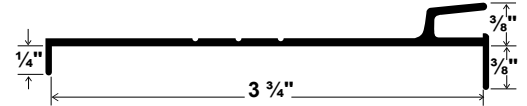
The VT can be roll-bent at the factory for almost any shape free-form pool. This profile can also be bent on-site without being notched to fit most radii, down to 2' radius.



## CAP LOCK

### HC

HC CAP LOCK	
ITEM NO.	COLOR
HCW	white

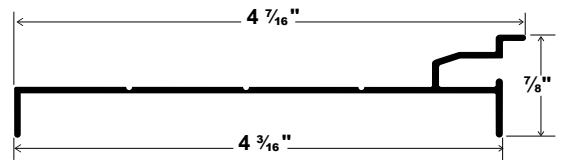


The HC is available in white only and comes in 8' straight lengths in counts of 15 pieces per box. The HZ series can be used with the HC to make corners. HC Cap Lock Liner Track is used for polymer wall pools.

1. Liner bead receiver specially designed to ensure positive lock-in.
2. Screw Guides.
3. Designed to fit any pool with a 3 3/4" wide top flange.
4. Holds polymer pool walls straight.
5. Front and rear flanges to lock on pool wall.

### T4

T4 CAP LOCK	
ITEM NO.	COLOR
T4W	white



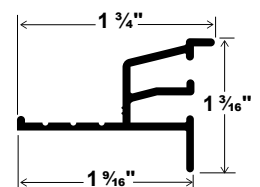
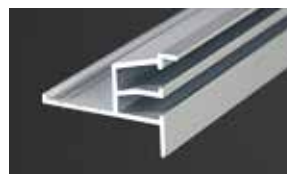
The T4 is available in white only and comes in 12' straight lengths in counts of ten pieces per box. The T2 notched can be used with the T4 to make corners. T4 Cap Lock Liner Track is used for polymer wall pools. Track works with Modern Moulding cantilever forms.

1. Liner bead receiver specially designed to ensure positive lock-in.
2. Screw Guides.
3. Designed to fit any pool with a 4" wide top flange.
4. Holds polymer pool walls straight.
5. Front and rear flanges to lock on pool wall.

## DOUBLE TRACK

### DT

DT DOUBLE TRACK	
ITEM NO.	COLOR
DTW	white
DTG	gray



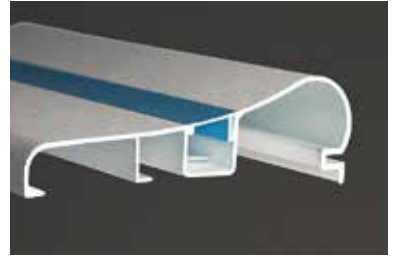
The DT is available in white or gray and comes in 8' straight or notched lengths in counts of 15 pieces per box. Track works with Modern Moulding cantilever forms.

## SNAP STRIP COPING

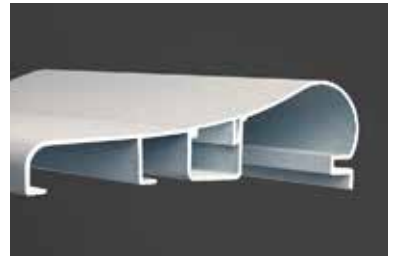
SS

SNAP STRIP COPING	
ITEM NO.	COLOR
SSW	Non-skid white/white inserts
SSB	Non-skid white/blue inserts

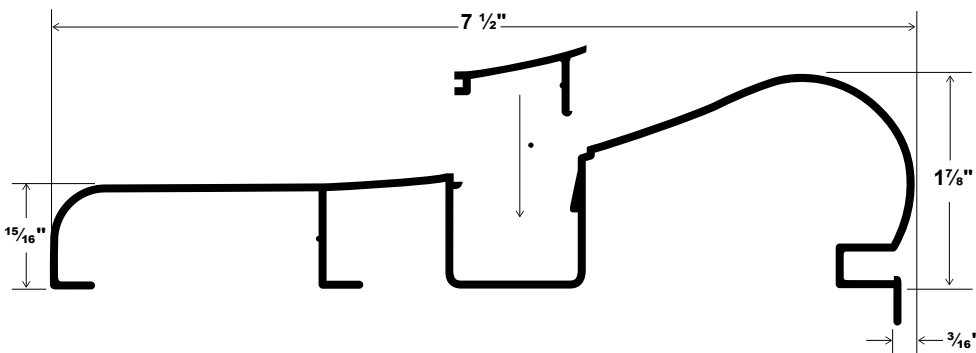
The SS comes in 12' and 16' straight lengths in counts of 1 or 2 pieces. The SS comes in standard configurations for most rectangular pools including an 18" diagonal, 6" radius, 90°, and 135° Grecian corners. Other sizes can be cut and welded to fit many curves, including reverse 6" radius, 270°, 4' corners, and full radius ends for oval pools. The SS (Snap Strip Coping) is an ideal coping for pool renovations.



*Shown with blue insert*



*Shown with white insert*

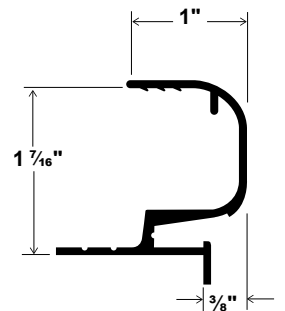


## WOOD RECEIVER COPING

CG

CG WOOD RECEIVER COPING	
ITEM NO.	COLOR
CGW	Non-skid white

The CG comes in 12' straight lengths in counts of 6 pieces. The CG is designed to receive standard 1 1/4" (5/4" board) decking and is popular for on-ground pools or pools surrounded by wooden decks. Cut and welded corners only.



Lengths can be cut for UPS shipping.

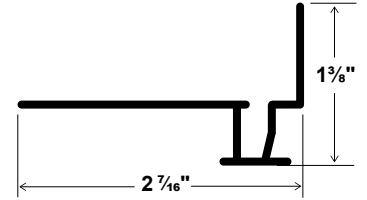


## CONCRETE LINER TRACK

CC

CC LINER TRACK	
ITEM NO.	COLOR
CCW	white

The CC is available in white only and comes in 8' straight lengths, 15 pieces per case. Used for concrete step applications.

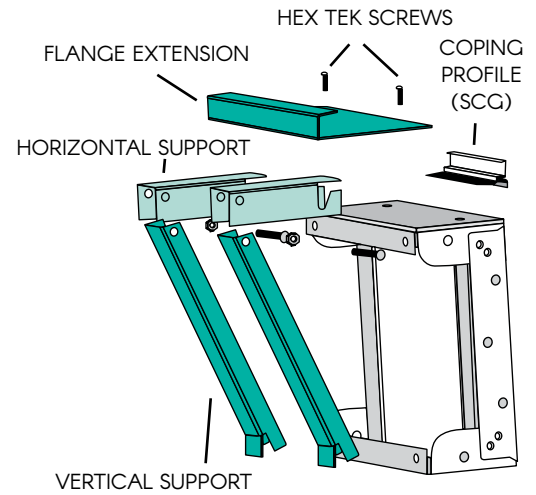


# SPECIALTY PROFILES

## STONE COPING SUPPORT SYSTEM

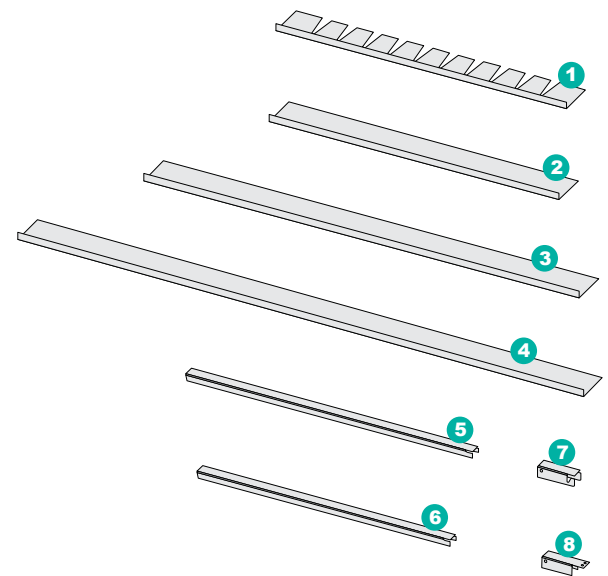
\* not recommended for Polymer Pools

STONE COPING SUPPORT SYSTEM COMPONENTS		
ITEM NO.	PART NUMBER	DESCRIPTION
1	CS748EXR	4' Radius Coping Support Shelf
2	CS748EX	4' Straight Coping Support Shelf
3	CS772EX	6' Straight Coping Support Shelf
4	CS796EX	8' Straight Coping Support Shelf
5	CS748CL	Vertical Coping Support - 48" high
6	CS710CL	Vertical Coping Support - 42" high
7	CS710CS	Horizontal Coping Support - Steel
8	CS710CSP*	Horizontal Coping Support - Plastic Step
9	BPS30DB	Versa Brace Bolt Pack (Qty. to do 30 braces)
10	BP000TS	#12 x 1 Hex Tek Screws - 110/Box



### Special features of Cardinal's Stone Coping Support System:

- Manufactured of 14 gauge galvanized steel and can be used on all Cardinal steel pool kits.
- Provides 10" wide base for attachment of stone coping or pavers.
- Weight of coping stones is supported by a channel that is locked into collar.
- Use a pea gravel or small aggregate mix to make finishing easier.
- Eliminates excavation for second bond beam as well as additional concrete deliveries.

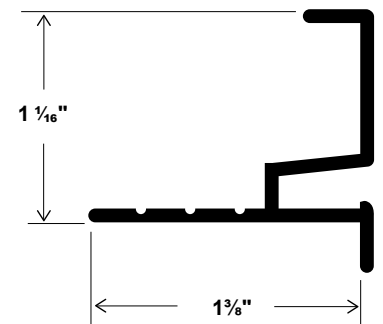
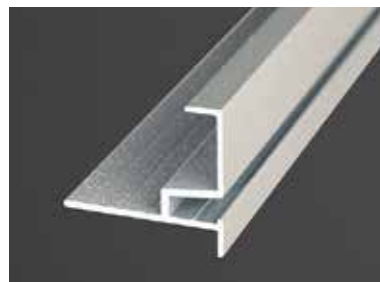


## STONE COPING LINER TRACK

### SC

CG WOOD RECEIVER COPING	
ITEM NO.	COLOR
SCG	Non-skid gray

The SC comes in 8' straight lengths sold by the piece. The SC is a top mount liner track for Cardinal's stone coping support system and can be notched for custom bending on site. CS710CSP only used for thermo stairs.



## VINYL TRIM SEAL

VINYL TRIM SEAL	
ITEM NO.	DESCRIPTION
TS1-120W	White, One 120' Roll
TS1-120G	Gray, One 120' Roll

The TS1 Trim Seal will seal off the top track of the DT Double Top Mount Liner Track after it has been used to lock cantilever deck forms in place during pool constructions.

*\*Picture is shown using Trim Seal in conjunction with step liner track.*



## PAL REPLACEMENT CLIPS

PAL REPLACEMENT CLIPS	
ITEM NO.	DESCRIPTION
PALSTR	1 1/2" x 9" For Straight Coping Joints
PALCRN	1 1/2" x 10" For Corner Coping Joints



## ZINC TEK SCREWS

ZINC TEK SCREWS	
ITEM NO.	DESCRIPTION
BP000TS	110 #12 - 1" Tek Screws

## NON-SKID TOUCH-UP PAINT

NON-SKID TOUCH-UP PAINT	
ITEM NO.	DESCRIPTION
CRW-NONSKID	12 Oz. Spray Can <b>Texture White</b> Covers 8-10 Sq Ft
CRG-NONSKID	12 Oz. Spray Can <b>Texture Gray</b> Covers 8-10 Sq Ft
CRDG-NONSKID	12 Oz. Spray Can <b>Texture Dark Gray</b> Covers 8-10 Sq Ft
CRT-NONSKID	12 Oz. Spray Can <b>Texture Tan</b> Covers 8-10 Sq Ft
CRW-QUART	1 Qt. Touch-Up <b>Texture White</b> Covers 50 Sq Ft

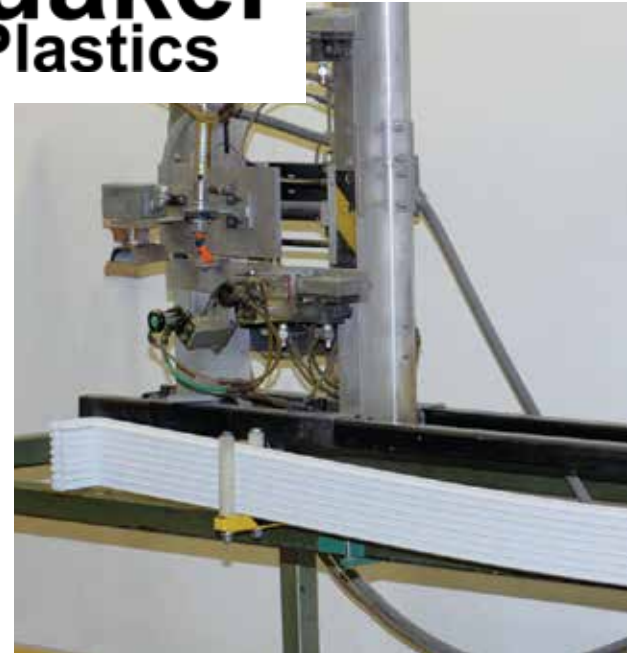
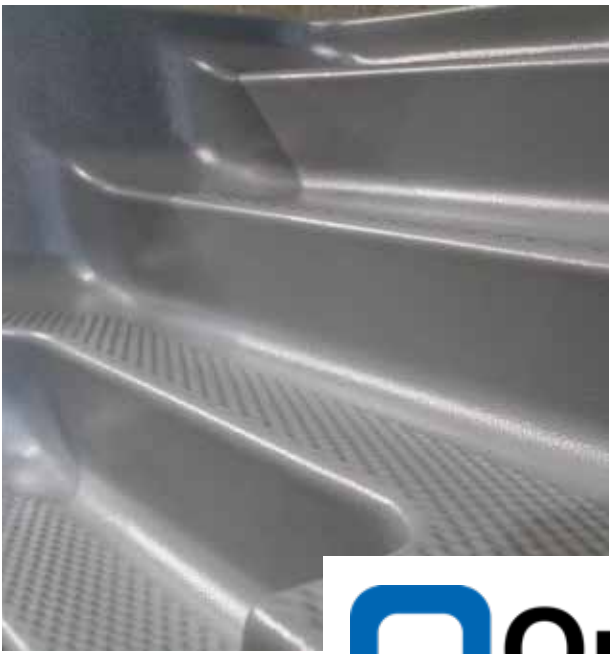




# THERMOPLASTIC STEPS

Our thermoplastic stairs are flexible, strong, and built to withstand the elements. Not only is the strength built into the stair itself, every stair has a support system which is also set in concrete. The stairs are vacuum-formed from a single piece of ABS. Many shapes and styles are available in our Quaker Step Line, including contour, cantilever, in-wall ladder, leisure bench and corner.

All steps are white with select models available in solid gray.



## TLC – TOTAL LINER CARE

Our patented radius corner stair mount face plate is rounded at each bottom corner, attaching with the side face plates for a truly professional look. Smooth corners mean no sharp edges inside the pool, eliminating a possible hazard during liner installation and providing added protection for pool users. When a liner replacement is necessary, face plate screws are easily removed.

## PRECISION GROOVED FACEPLATE

The back of the smooth, radius corner Stair Mount Face has been designed with ridges and grooves to ensure a leak-tight seal between the stair gasket and liner. This engineered, leak-tight system has been proven in over 250,000 installations.

## COLOR MATCHED PRE-PUNCHED GASKET

Our gasket blends with the stair and liner edge for a beautiful, color matched installation. The pre-punched gasket means an easier, quicker installation and assures that no gasket material will be wedged into the screw hole and cause leakage for a beautiful, color matched installation.

## IMPROVED TRIM STRIP

The trim strip, used to conceal the screws, is made from color matched, flexible plastic material. It can be easily pressed into the holding track and easily removed.

## PERMANENT DEADEND BLOCK

Both the Quaker Step and Cardinal Step easily adapts to all swimming pools. Our unique Deadend Block design helps ensure watertight installation. A permanent, solid plastic Deadend Block is securely bonded at the factory. This block totally encapsulates all screws, assuring a non-leak installation.

# IN-POOL STAIRS

*White*



**QP-0004S**  
4' 3-tread Straight



**QP-0064S**  
6' 4-tread Straight



**QP-0064SC**  
6' 4-tread Straight Cantilever



**QP-0064R**  
6' 4-tread Radius



**QP-0084TS**  
8' 4-tread Twin Seat/Step Straight

**ALSO AVAILABLE:**

**QP-0064RC**  
6 ft. 4-tread Radius Cantilever

**QP-0085TR**  
8 ft. 5-tread Twin Seat/Step  
Radius 48" High

**QP-0085TRC**  
8 ft. 5-tread Twin Seat/Step  
Radius Cantilever 48" High

**QP-0085TSC**  
8 ft. 5-tread Twin Seat/Step  
Straight Cantilever 48" High

**QP-4063C48**  
90 Degree 3-tread Corner Twin  
Seat/Step Cantilever 48" High



**QP-0084TSR**  
8' 4-tread Twin Seat/Step Radius



**QP-0084TSC**  
8' 4-tread Twin Seat/Step Straight Cantilever



**QP-4063C42**  
6' 3-tread 90° Corner  
Twin Seat/Step Cantilever



**QP-0084TRC**  
8' 4-tread Twin Seat/Step Radius Cantilever



**QP-1000NR**  
In-pool Ladder, Without Rails



**QP-0006IWS**  
6' In-wall Seat



**QP-0085TS**  
8' 5-tread Twin Seat/Step  
Straight, 48" Wall Height

The color representations have been printed as closely as possible to actual colors, however, actual stair color may vary from photograph.

*Please call Customer Service for additional information.*

## CONTROLLED FLEXIBILITY

All-plastic channels are permanently bonded to the underside of each tread, providing controlled flexibility. These patented, heavy-duty, extra-wide channels mean optimum strength while still allowing the stairs enough flexibility to withstand freezing and thawing.



## LOCK DOWN BLEACHER SYSTEM

**FAST • EASY • SIMPLE**

The entire Lock Down Bleacher System™ is preassembled at the factory so there are no lost nuts or bolts. Stair support posts simply snap down and lock into place.

The molded bottom shoes easily flip to the horizontal position and the stair is ready for installation. Precision-engineered leveling support posts and bottom shoes are permanently hinged at the factory to the Ridg-A-Dized support channel, strategically located under each tread.

Leveling and support posts, along with the support shoes, are pre-drill for rebar. Install rebar through holes, cover with concrete, and stair is ready for final leveling before concrete hardens. No blocks, no nuts or bolts, no make-shift leveling/support methods, no costly labor or materials.

Result: Level stairs with bleacher-type stability, strength, and support.



# IN-POOL STAIRS

*Solid Gray*



**QP-0084TSCG**

8' 4-tread Twin Seat/Step Straight Cantilever



**QP-4063C42G**

6' 3-tread 90° Corner Twin Seat/Step Cantilever



**QP-0064SCG**

6' 4-tread Straight Cantilever



**QP-0084TRCG**

8' 4-tread Twin Seat/Step Radius Cantilever



**QP-1000NRG**

In-pool Ladder, Without Rails

*Photographs may not be representative of color. Actual stair color may vary from photograph.*

## NEUTRAL POOL TRENDS

Trending nationwide, the use of muted grays and neutral colors as an additional option to the classic white Thermoplastic Steps seems to be a growing desire aesthetically for Homeowners.

Our Solid Gray color option will match well with our solid gray coping, liner bead, darker liner patterns, and additional features offered by Cardinal to complete a pool with a sleek design.

## THE BENEFITS

- *Resistance to fading*  
(better UV protection in the mold makeup to hold up against years of sun exposure.)
- *Simple maintenance/repair*  
(steps are repaired quickly without losing appearance or color.)
- *Material used can be recycled and reused in new models for a more environmentally friendly product*
- *Stronger bonds during forming*
- *TLC Corners*  
(hole prevention during liner installation.)



# THERMOPLASTIC STAIR PARTS KIT

## THERMOPLASTIC STAIR PARTS KIT

STAIR PARTS KIT	
ITEM NO.	DESCRIPTION
H3-6037	Stair Mount Caps (White)
H3-6072	Stair Mount Caps (Gray)
QG-6623-18	18 ft. Trim Cover w/ 2 Corner Pieces (White)
QG-6623G18	18 ft. Trim Cover w/ 2 Corner Pieces (Gray)
Part # Varies	Side Gaskets
Part # Varies	Bottom Gasket
Part # Varies	Bottom Faceplate
Part # Varies	Side Faceplates

Example below is our 8ft. 4-tread Twin Seat/ Step Straight (QP-0084TS). Other step kits are available.\*



### TLC® TOTAL LINER CARE

Our patented radius corner stair mount face plate is rounded at each bottom corner, connecting with the side face plates for a truly professional look. Smooth corners mean no sharp edges inside the pool, eliminating a possible hazard during liner installation and providing added protection for pool users. When a liner replacement is necessary, face plate screws are easily removed.



### PRECISION GROOVED FACEPLATE

The back of the smooth, radius corner Stair Mount Face has been designed with ridges and grooves to ensure a leak-tight seal between the stair gasket and liner. This engineered, leak-tight system has been proven in over 250,000 installations.



### COLOR MATCHED PRE-PUNCHED GASKET

Our gasket blends with the stair and liner edge for a beautiful, color matched installation. The pre-punched gasket means an easier, quicker installation and assures that no gasket material will be wedged into the screw hole and cause leakage for a beautiful, color matched installation.



### IMPROVED TRIM STRIP

The trim strip, used to conceal the screws, is made from color matched, flexible plastic material. It can be easily pressed into the holding track and easily removed.



### PERMANENT DEADEND BLOCK

The Quaker Stair easily adapts to all swimming pools. Our unique Deadend Block design helps assure watertight installation. A permanent, solid plastic Deadend Block is securely bonded at the factory. This block totally encapsulates all screws, assuring a non-leak installation.



NEW FOR 2026!



# NEW UNIVERSAL FACEPLATE

**Our Universal Faceplate seals the liner to the face of the Thermoplastic Step.** The universal kit can be cut and mounted to a variety of shapes of steps. The kit includes the faceplate track, gasket and seal.

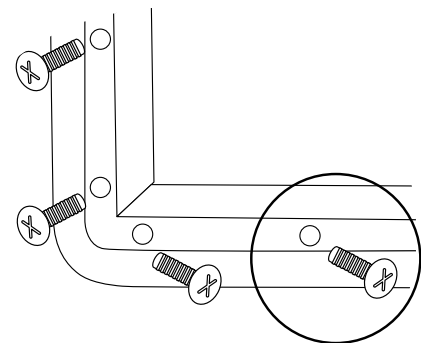
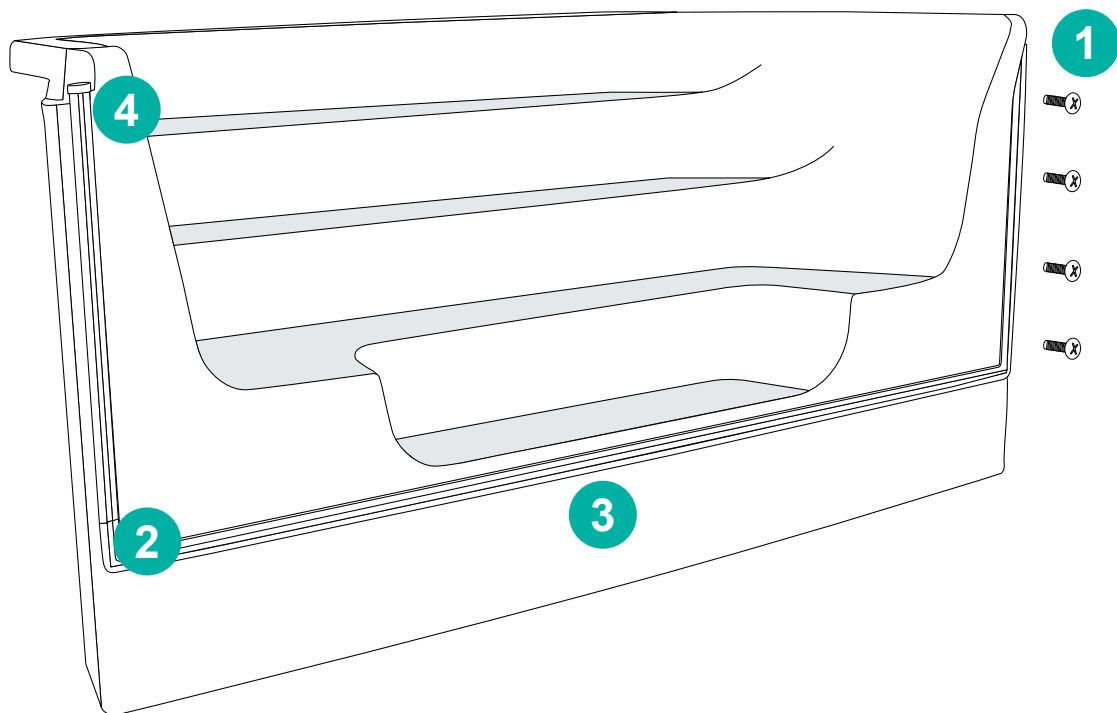
**PK-UNIV**

Universal Faceplate

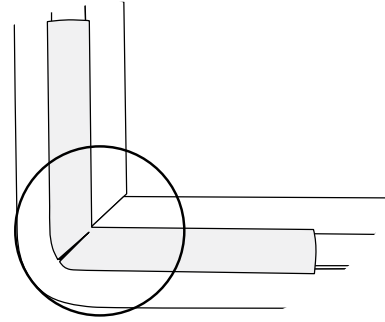
# GOODIE BAG

## GOODIE BAG

GOODIE BAG	
ITEM NO.	DESCRIPTION
QG-60194	15/16" #10 Stainless Steel Screws - Qty. 50 w/ Stair Mount Caps (W,H3-6037) or (G,H3-6072) - Qty. 2
QG-6623-18	18 ft. Trim Cover, 2 Corner Pieces (White)
QG-6623G18	18 ft. Trim Cover, 2 Corner Pieces (Gray)

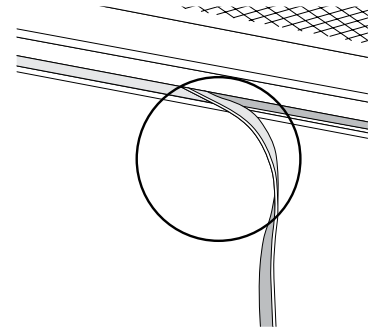


**1. STAINLESS STEEL SCREWS**  
Used to attach faceplates to the steps.



## 2. TRIM COVER CORNER PIECES

Fits into corners of the holding track on the faceplate. One for each corner.



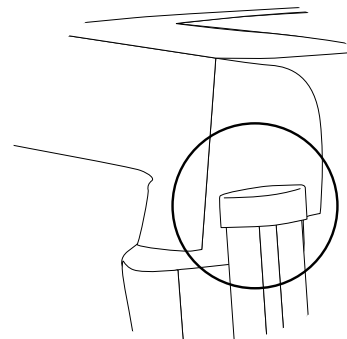
## 3. TRIM COVER

Fits into holding track of the faceplate to conceal screws.



## 4. STAIR MOUNT CAPS

Fits on top of the faceplate. One for each side of the step.





# CARDINAL *Luxury Spas*

## ESCAPE AWAY TO YOUR BACKYARD

for a truly relaxing experience in a Cardinal Luxury Spa. Made with precision and the highest quality product coupled with state-of-the-art features, a spa addition can provide endless rejuvenation all year long. Our Standard and Spill-Over options allow you to choose the function and movement of your outdoor living space. Available in two sleek color variations, a Cardinal Spa is simply an extension of elegance to any pool.

SIT & *stay* awhile

A Cardinal Spa provides a space to relax and unwind all year long. With features like stainless steel jets, built-in filtration system, adjustable air control, easy-entry steps and more, your spa will not only function properly, but guarantee a truly tranquil and calming experience for any occasion.

For a true staycation destination, allow Cardinal Spas to elevate the luxury and elegance of your backyard. With different jet count options, 2 sophisticated and enticing colors to choose from, and options for Standard or Spill-Over style, you can customize your Spa to tailor to your needs and the layout of your landscape.



# LUXURY SPAS

## STANDARD (NON-SPILLOVER):

- W17-PMR12SS**  
Spa Round 12 Jet, Sterling Silver
- W17-PMS12SS**  
Spa Square 12 Jet, Sterling Silver
- W17-PMS25SS**  
Spa Square 25 Jet, Sterling Silver
- W17-PMR12SC**  
Spa Round 12 Jet, Storm Cloud
- W17-PMR25SC**  
Spa Round 25 Jet, Storm Cloud
- W17-PMS25SC**  
Spa Square 25 Jet, Storm Cloud

## SPILLOVER:

- W17-WFR12SS**  
Spa Spillover Round 12 Jet, Sterling Silver
- W17-WFS12SS**  
Spa Spillover Square 12 Jet, Sterling Silver
- W17-WFS25SS**  
Spa Spillover Square 25 Jet, Sterling Silver
- W17-WFR12SC**  
Spa Spillover Round 12 Jet, Storm Cloud
- W17-WFR25SC**  
Spa Spillover Round 25 Jet, Storm Cloud
- W17-WFS25SC**  
Spa Spillover Square 25 Jet, Storm Cloud



**W17-PMR25SS**  
Spa Round  
25 Jet, Sterling Silver



**W17-WFR25SS**  
Spa Spillover Round  
25 Jet, Sterling Silver



**W17-PMS12SC**  
Spa Square  
12 Jet, Storm Cloud



**W17-WFS12SC**  
Spa Spillover Square  
12 Jet, Storm Cloud



*The color representations have been printed as closely as possible to actual colors, however, actual spa shell colors may vary from photograph.*

## SPA FEATURES

Cardinal Luxury Spas are manufactured to the highest quality standards, while state-of-the-art features give you the ultimate experience in relaxation. All Spas are pre-plumbed and water tested to ensure a leak-free installation.

	ROUND 12 JET	ROUND 25 JET	SQUARE 12 JET	SQUARE 25 JET
Easy Entry Steps	•	•	•	•
Hydrotherapy Stainless Steel Jets	•	•	•	•
Colors	STERLING SILVER OR STORM CLOUD			
Interior Embossed Wave Detail	•	•	•	•
Adjustable Air Control	•	•	•	•
360-Degree Vortex Skimmer	•	•	•	•
Built-in Filtration	•	•	•	•
Reusable 50 sq.ft. Cartridge Filter	•	•	•	•
Diverter Valve for Whirlpool Action		•		
Dimensions	85" Round 34" Deep	85" Round 34" Deep	84" Square 34" Deep	84" Square 34" Deep
Optional Covers <i>(please speak with your Cardinal Representative for more details)</i>	•	•	•	•


### BUILT-IN FILTRATION

Cardinal Luxury Spas feature a built in 360-degree vortex skimmer with reusable cartridge filter.



### HYDROTHERAPY

Cardinal Luxury Spas offer a special grouping of high-powered hydrotherapy jets. These fully adjustable stainless-steel jets offer the finest relaxation and revitalization experience by targeting the entire back and shoulder region.



### DECORATIVE BORDER

Cardinal offers Luxury Spas in sterling silver or storm cloud with optional 12 or 25 jet systems. Each color option comes with a decorative border that adds an extra touch of elegance to each spa.



*Cardinal Luxury Spas do not meet commercial installation code.*

A photograph of a swimming pool with a lounge chair and a stone wall in the background. The pool water is a vibrant blue, and the lounge chair has white cushions and a grey and white striped pillow. The stone wall is made of large, light-colored blocks. The background features a well-manicured green hedge and a black metal fence.

# MODERN MOULDING

Modern Moulding is a leading manufacturer of cantilever coping styrofoam forms. The innovative system designed by Modern Moulding can cut hours off installation and cleanup time. With one of our offered coping kits, a standard pool can be set up and ready to pour in as little as one hour. Versatility is provided with a variety of profile designs, as well as installation capabilities for vinyl, fiberglass, and concrete/gunite pools.



## BENEFITS:

- Can combine forms onto existing Cardinal & Quaker shipments at no additional cost.
- No two-way tape required
- Easy to install

### VINYL LINERS ONLY

- Forms wedge directly into liner track, leaving track clean of debris.
- Modern Moulding's Vinyl Liner system uses reusable lock-in clips to hold the forms in place. These clips have an extended support to keep the forms from tilting when concrete is poured.

# COPING PROFILES

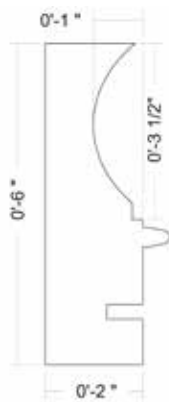
## COPING PROFILES FOR VINYL LINER POOLS

\*\*AVAILABLE IN 112'/BOX OR 32'/BOX

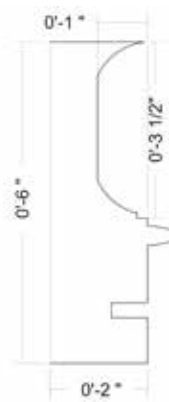
CARDINAL PART #	DESCRIPTION	EXTENDED DESCRIPTION
CAR-NC	8' CAPSTONE VINYL LINER - 14/BX	8' x 14pcs - 112 Linear FT/Box
CAR-NC-32	8' CAPSTONE VINYL LINER - 4/BX	8' x 4pcs - 32 Linear FT/Box
CAR-SQP	8' SQUARE VINYL LINER - 14/BX	8' x 14pcs - 112 Linear FT/Box
CAR-SQP-32	8' SQUARE VINYL LINER - 4/BX	8' x 4pcs - 32 Linear FT/Box
CAR-BN	8' BULLNOSE VINYL LINER - 14/BX	8' x 14pcs - 112 Linear FT/Box
CAR-BN-32	8' BULLNOSE VINYL LINER - 4/BX	8' x 4pcs - 32 Linear FT/Box
CAR-CRC	8' SHORT VINYL LINER - 14/BX	8' x 14 pcs - 112 Linear FT/Box
CAR-CRC-32	8' SHORT VINYL LINER - 4/BX	8' x 4pcs - 32 Linear FT/Box
CAR-ICC	8' REGULAR V LINER - 14/BX	8' x 14 pcs - 112 Linear FT/Box
CAR-ICC-32	8' REGULAR V LINER - 4/BX	8' x 4pcs - 32 Linear FT/Box
CAR-LIVEEDGE225	2.25" High x 8' LIVE EDGE VINYL LINER-14/BX +1 roll of DBL sided tape	8' x 14pcs - 112 Linear FT/Box
CAR-LIVEEDGE3	3" High x 8' LIVE EDGE VINYL LINER-14/BX + 1 roll of DBL sided tape	8' x 14pcs - 112 Linear FT/Box



CAR-NC



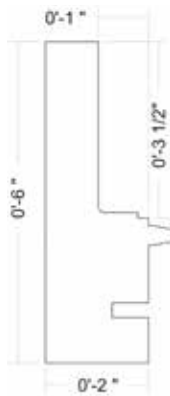
CAR-BN



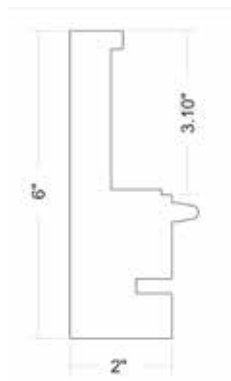
CAR-ICC



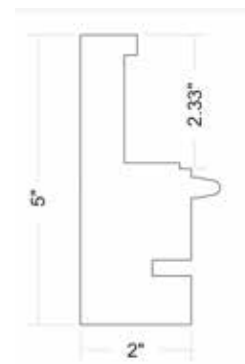
CAR-CRC



CAR-SQP



CAR-LIVEEDGE3



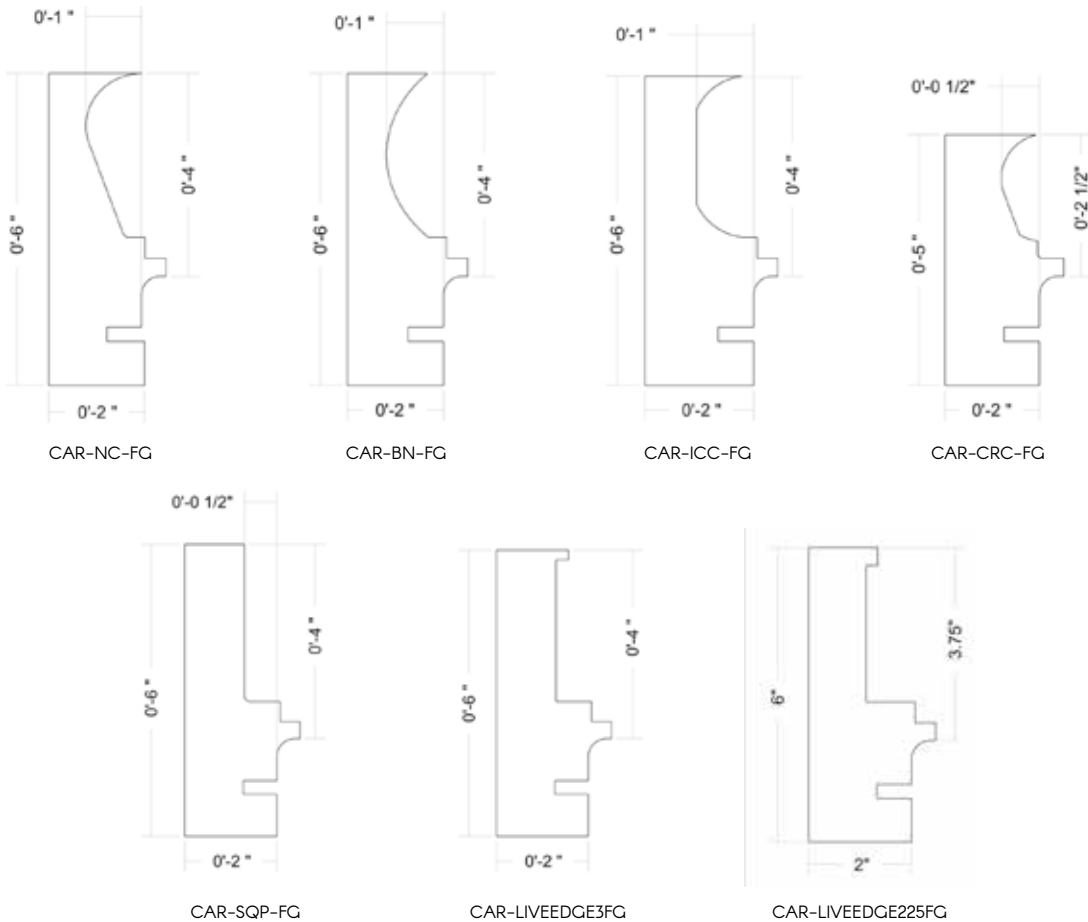
CAR-LIVEEDGE225

# COPING PROFILES FOR FIBERGLASS POOLS

## COPING PROFILES

\*\*AVAILABLE IN 112'/BOX OR 32'/BOX

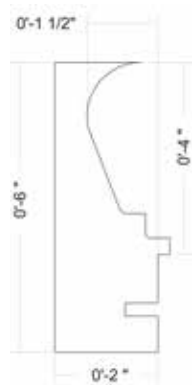
CARDINAL PART #	DESCRIPTION	#CAR-CC-UD CLIPS INCLUDE	EXTENDED DESCRIPTION
CAR-NC-FG	8' CAPSTONE FIBERGLASS - 14/BX	100	8' x 14pcs - 112 Linear FT/Box
CAR-NC-FG-32	8' CAPSTONE FIBERGLASS - 4/BX	40	8' x 4pcs - 32 Linear FT/Box
CAR-SQP-FG	8' SQUARE FIBERGLASS - 14/BX	100	8' x 14pcs - 112 Linear FT/Box
CAR-SQP-FG-32	8' SQUARE FIBERGLASS - 4/BX	40	8' x 4pcs - 32 Linear FT/Box
CAR-BN-FG	8' BULLNOSE FIBERGLASS - 14/BX	100	8' x 14pcs - 112 Linear FT/Box
CAR-BN-FG-32	8' BULLNOSE FIBERGLASS - 4/BX	40	8' x 4pcs - 32 Linear FT/Box
CAR-CRC-FG	8' SHORT FIBERGLASS - 14/BX	100	8' x 14pcs - 112 Linear FT/Box
CAR-CRC-FG-32	8' SHORT FIBERGLASS - 4/BX	40	8' x 4pcs - 32 Linear FT/Box
CAR-ICC-FG	8' REGULAR FIBERGLASS - 14/BX	100	8' x 14pcs - 112 Linear FT/Box
CAR-ICC-FG-32	8' REGULAR FIBERGLASS - 4/BX	40	8' x 4pcs - 32 Linear FT/Box
CAR-LIVEEDGE225FG	2.25" High x 8' LIVE EDGE FIBERGLASS-14/BX + 1 roll of DBL sided tape	100	8' x 14pcs - 112 Linear FT/Box
CAR-LIVEEDGE3FG	3" High x 8' LIVE EDGE FIBERGLASS-14/BX + 1 roll of DBL sided tape	100	8' x 14pcs - 112 Linear FT/Box



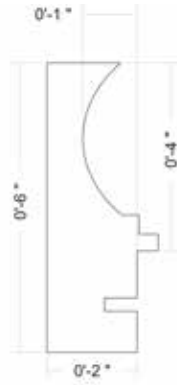
# COPING PROFILES

## COPING PROFILES FOR CONCRETE/GUNITED POOLS \*\*AVAILABLE IN 112'/BOX OR 32'/BOX

CARDINAL PART #	DESCRIPTION	#CAR-CC-UD CLIPS INCLUDE	EXTENDED DESCRIPTION
CAR-NC-FGWT	8' CAPSTONE CONCRETE W/TILE - 14/BX	100	8' x 14pcs - 112 Linear FT/Box
CAR-NC-FGWT-32	8' CAPSTONE CONCRETE W/TILE - 4/BX	40	8' x 4pcs - 32 Linear FT/Box
CAR-SQP-FGWT	8' SQUARE CONCRETE W/TILE - 14/BX	100	8' x 14pcs - 112 Linear FT/Box
CAR-SQP-FGWT-32	8' SQUARE CONCRETE W/TILE - 4/BX	40	8' x 4pcs - 32 Linear FT/Box
CAR-BN-FGWT	8' BULLNOSE CONCRETE W/TILE - 4/BX	100	8' x 14pcs - 112 Linear FT/Box
CAR-BN-FGWT-32	8' BULLNOSE CONCRETE W/TILE - 4/BX	40	8' x 4pcs - 32 Linear FT/Box
CAR-CRC-FGWT	8' SHORT PROFILE CONCRETE - 14/BX	100	8' x 14pcs - 112 Linear FT/Box
CAR-CRC-FGWT-32	8' SHORT PROFILE CONCRETE - 4/BX	40	8' x 4pcs - 32 Linear FT/Box
CAR-ICC-FGWT	8' REGULAR PROFILE CONCRETE/GUNITED - 14/BX	100	8' x 14pcs - 112 Linear FT/Box
CAR-ICC-FGWT32	8' REGULAR PROFILE CONCRETE/GUNITED - 4/BX	40	8' x 4pcs - 32 Linear FT/Box
CAR-LIVEEDGE2FGWT	2.25" High x 8' LIVE EDGE CONCRETE W/TILE-14/BX + 1 roll of DBL sided tape	100	8' x 14pcs - 112 Linear FT/Box
CAR-LIVEEDGE3FGWT	3" High x 8' LIVE EDGE CONCRETE W/TILE -14/BX + 1 roll of DBL sided tape	100	8' x 14pcs - 112 Linear FT/Box



CAR-NC-FGWT



CAR-BN-FGWT



CAR-ICC-FGWT



CAR-CRC-FGWT



CAR-SQP-FGWT



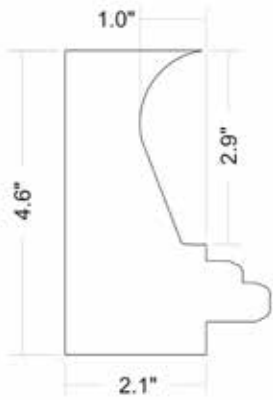
CAR-LIVEEDGE3FGWT



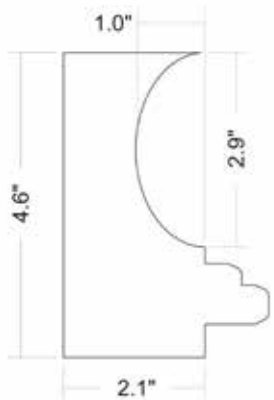
CAR-LIVEEDGE225FGWT

## COPING PROFILES FOR AN AQUAMATIC COVER SYSTEMS \*\*AVAILABLE IN 112'/BOX

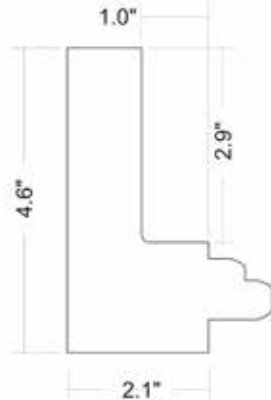
CARDINAL PART #	DESCRIPTION	EXTENDED DESCRIPTION
CAR-NCAQUACOVER	8' BULLNOSE AQUAMATIC COVER SYSTEMS-14/BX	8' x 14pcs-112 Linear FT/Box
CAR-BNAQUACOVER	8' CAPSTONE AQUAMATIC COVER SYSTEMS-14/BX	8' x 14pcs-112 Linear FT/Box
CAR-SQPAQUACOVER	8' SQUARE AQUAMATIC COVER SYSTEMS-14/BX	8' x 14pcs-112 Linear FT/Box
CAR-LIVEEDGEAQUA	8' LIVE EDGE AQUAMATIC COVER SYSTEMS-14/BX+1 roll of DBL sided tape	8' x 14pcs-112 Linear FT/Box



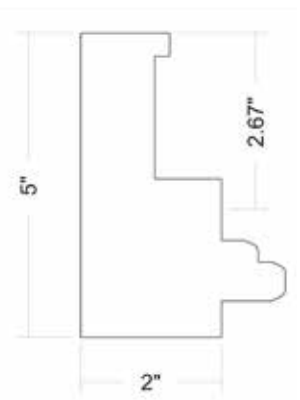
CAR-NCAQUACOVER



CAR-BNAQUACOVER



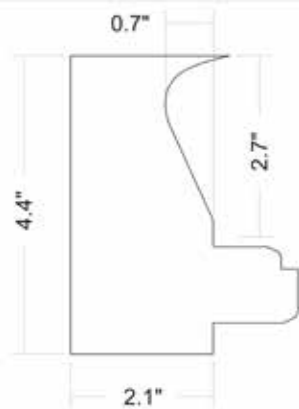
CAR-SQPAQUACOVER



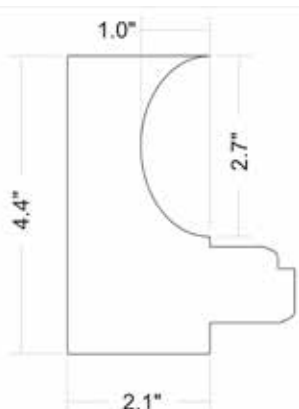
CAR-LIVEEDGEAQUA

## COPING PROFILES FOR AN AUTOMATIC COVER SYSTEMS \*\*AVAILABLE IN 112'/BOX

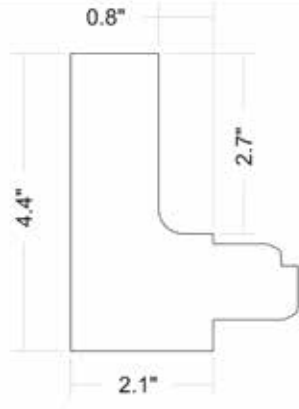
CARDINAL PART #	DESCRIPTION	EXTENDED DESCRIPTION
CAR-NC-APC	8' CAPSTONE AUTOMATIC POOL COVERS -14/BX	8' x 14pcs - 112 Linear FT/Box
CAR-BN-APC	8' BULLNOSE AUTOMATIC POOL COVERS-14/BX	8' x 14pcs - 112 Linear FT/Box
CAR-SQP-APC	8' SQUARE AUTOMATIC POOL COVERS-14/BX	8' x 14pcs - 112 Linear FT/Box
CAR-LIVEEDGE2APC	8' LIVE EDGE 2.25" High AUTOMATIC POOL COVERS-14/BX + 1 roll of DBL sided tape	8' x 14pcs - 112 Linear FT/Box



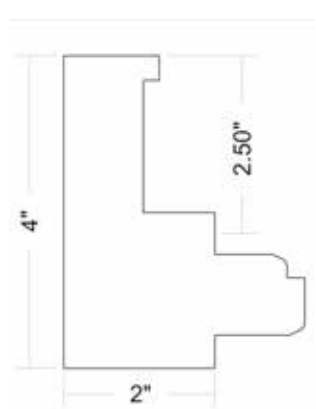
CAR-NC-APC



CAR-BN-APC



CAR-SQP-APC



CAR-LIVEEDGE2APC

# COPING PROFILES

## COPING PROFILES FOR COVER POOLS

\*\*AVAILABLE IN 112'/BOX

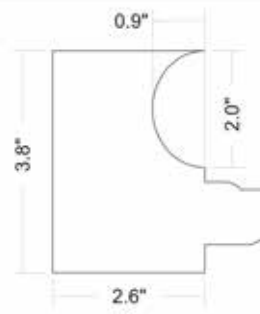
CARDINAL PART #	DESCRIPTION	EXTENDED DESCRIPTION
CAR-NCCOVERPOOLT3	8' CAPSTONE COVER POOLS-14/BX	8' x 14pcs - 112 Linear FT/Box
CAR-NCCOVERPOOLT4	8' CAPSTONE COVER POOLS-14/BX	8' x 14pcs - 112 Linear FT/Box
CAR-BNCOVERPOOLT4	8' BULLNOSE COVER POOLS-14/BX	8' x 14pcs - 112 Linear FT/Box
CAR-SQPCVERPOOLT3	8' SQUARE COVER POOLS-14/BX	8' x 14pcs - 112 Linear FT/Box
CAR-SQPCVERPOOLT4	8' SQUARE COVER POOLS-14/BX	8' x 14pcs - 112 Linear FT/Box
CAR-LIVEEDGE225CP	8' LIVE EDGE COVER POOLS-14/BX+1 roll of DBL sided tape	8' x 14pcs - 112 Linear FT/Box



CAR-NCCOVERPOOLT3



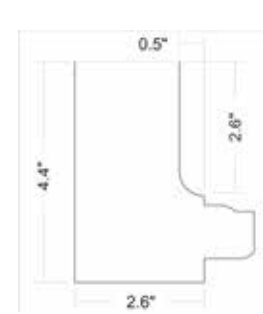
CAR-NCCOVERPOOLT4



CAR-BNCOVERPOOLT4



CAR-SQPCVERPOOLT3



CAR-SQPCVERPOOLT4



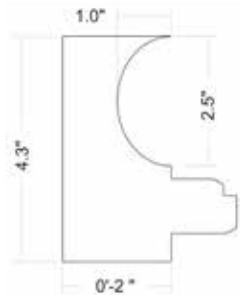
CAR-LIVEEDGE225CP

## COPING PROFILES FOR COVERSTAR POOLS \*\*AVAILABLE IN 112'/BOX

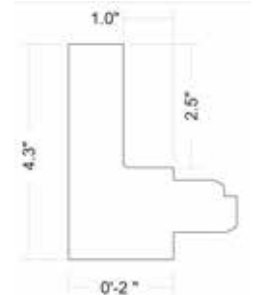
CARDINAL PART #	DESCRIPTION	EXTENDED DESCRIPTION
CAR-NC-COVERSTAR	8' CAPSTONE COVERSTAR-14/BX	8' x 14pcs - 112 Linear FT/Box
CAR-BN-COVERSTAR	8' BULLNOSE COVERSTAR-14/BX	8' x 14pcs - 112 Linear FT/Box
CAR-SQP-COVERSTAR	8' SQUARE COVERSTAR-14/BX	8' x 14pcs - 112 Linear FT/Box
CAR-LIVEEDGE225CS	8' LIVE EDGE 2.25" High-14/BX +1 roll of DBL sided tape	8' x 14pcs - 112 Linear FT/Box



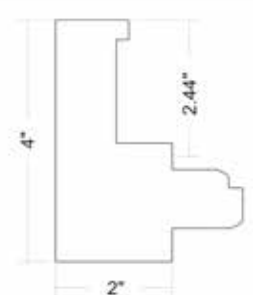
CAR-NC-COVERSTAR



CAR-BN-COVERSTAR



CAR-SQP-COVERSTAR



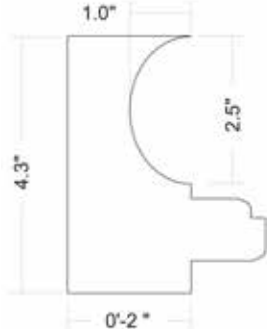
CAR-LIVEEDGE225CS

## COPING PROFILES FOR INTEGRA POOLS \*\*AVAILABLE IN 112'/BOX

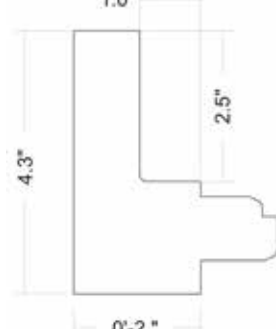
CARDINAL PART #	DESCRIPTION	EXTENDED DESCRIPTION
CAR-NC-INTEGRA	8' CAPSTONE INTEGRA -14/BX	8' x 14pcs - 112 Linear FT/Box
CAR-BN-INTEGRA	8' BULLNOSE INTEGRA -14/BX	8' x 14pcs - 112 Linear FT/Box
CAR-SQP-INTEGRA	8' SQUARE INTEGRA -14/BX	8' x 14pcs - 112 Linear FT/Box
CAR-LIVEEDGE2INTE	8' LIVE EDGE INTEGRA -14/BX + 1 roll of DBL sided tape	8' x 14pcs - 112 Linear FT/Box



CAR-NC-INTEGRA



CAR-BN-INTEGRA



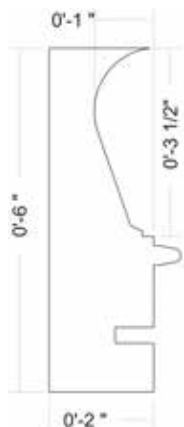
CAR-SQP-INTEGRA



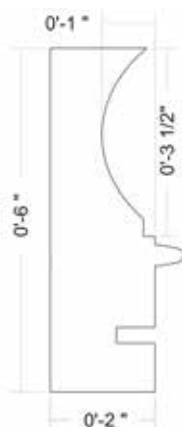
CAR-LIVEEDGE2INTE

## COPING PROFILES FOR RADIUS CORNERS \*\*AVAILABLE IN 4 PIECES'/BOX

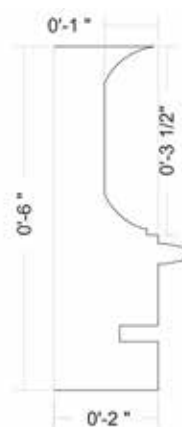
CARDINAL PART #	DESCRIPTION	EXTENDED DESCRIPTION
CAR-NC-COVERSTAR	8' CAPSTONE COVERSTAR-14/BX	8' x 14pcs - 112 Linear FT/Box
CAR-BN-COVERSTAR	8' BULLNOSE COVERSTAR-14/BX	8' x 14pcs - 112 Linear FT/Box
CAR-SQP-COVERSTAR	8' SQUARE COVERSTAR-14/BX	8' x 14pcs - 112 Linear FT/Box
CAR-LIVEEDGE225CS	8' LIVE EDGE 2.25" High-14/BX +1 roll of DBL sided tape	8' x 14pcs - 112 Linear FT/Box



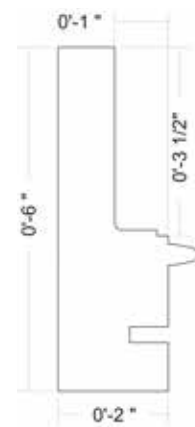
CAR-NC-6RAD



CAR-BN-6RAD



CAR-SQP-6RAD



CAR-ICC-6RAD



## CLIPS

CARDINAL PART #	DESCRIPTION	EXTENDED DESCRIPTION
CAR-AUTOCOVERCLIP	CANT CLIPS AUTO COVER-100/BOX	Auto Cover-Reusable
CAR-CC-FG25	CANT CLIPS FG STAIRS - 25/BOX	Disposable
CAR-CC-FG100	CANT CLIPS FG STAIRS - 100/BOX	Disposable
CAR-CC-FG150	CANT CLIPS FG STAIRS - 150/BOX	Disposable
CAR-CC	CANT CLIP VINYL LINER - 100/BOX	Reusable
CAR-CC-UB	REUSABLE UNIV CLIP-BODY - 100/BX	FG/Gunite/Concrete Pools with/without AC
CAR-CC-UD	DISPOSABLE UNIV CLIP - 100/BOX	FG/Gunite/Concrete Pools with/without AC



CAR-AUTOCOVERCLIP



CAR-CC-FG25  
CAR-CC-FG100  
CAR-CC-FG150



CAR-CC



CAR-CC-UB



CAR-CC-UD



Installation Video



\* Universal 2 pc. System

## ACCESSORIES

CARDINAL PART #	DESCRIPTION	EXTENDED DESCRIPTION
CAR-RG286	FILAMENT TAPE 3" X 180'	--
CAR-S002	SLIDE HAMMER TOOL - CLIP REMOVER	--
CAR-DBLSIDETAPE	DOUBLE SIDED TAPE 2" X 108'	1 roll/box
CAR-EDGELINER225	REUSABLE RUBBER LINER 2.25" X 10'	2.25" High x 10 Linear FT 1/box
CAR-EDGELINER3	REUSABLE RUBBER LINER 3" X 10'	3" High x 10 Linear FT 1/box



CAR-S002



CAR-RG286



CAR-DBLSIDETAPE



CAR-EDGELINER225  
CAR-EDGELINER3



[WWW.CARDINAL](http://WWW.CARDINAL)





ALPOOLS.COM









*A DIVISION OF CARDINAL SYSTEMS, INC.*



*DOWNLOAD THE DIGITAL COPY  
on our Resources Page.*



p: 570.385.4733 | [customerservice@cardinalsystemsinc.com](mailto:customerservice@cardinalsystemsinc.com) | [cardinalpools.com](http://cardinalpools.com)

250 Route 61 South, Schuylkill Haven, PA 17972

CS-CATALOG © 2026 Cardinal Systems, Inc.