

Cardinal



PRODUCT CATALOG





WHO WE ARE

Cardinal is one of the world's largest and most technologically advanced manufacturers in the swimming pool industry. For over 45 years, we have been in business providing Builders, Contractors, and Architects with products to enhance any outdoor living space. As a family-owned and operated business since our inception, our goal has always been to provide the highest quality material that is safe and functional to be enjoyed by Homeowners and their families. Through 3 generations of ownership, we have been consistently dedicated to the aggressive pursuit of seeking out and applying the most efficient manufacturing processes to produce innovative products. What began as a modest operation in a 5,000 square foot single-bay garage has grown into an over 350,000 square foot manufacturing facility with plans to continue growing and expanding our operations.

Quality products, a commitment to superior customer service, and a family-focused mentality practiced by the Cardinal team to produce a unique and functional outdoor living environment; *that's the Cardinal promise to you.*

OUR PRODUCTS

Cardinal stands at the forefront of the brand family, producing high-quality and trusted products such as: steel pool walls, steps and benches, vinyl liners, aluminum tracking and coping, Luxury Spas, Ultimate Pool Kits and more. Quaker Plastics and Modern Moulding are among the other brands housed within Cardinal to fully encompass the distinctive design and functionality of a pool. Quaker Plastics provides a wide range of extrusion and thermoforming products such as deck and paver drains, thermoformed steps, and liner bead that adds depth to the Cardinal brand. Modern Moulding offers unique and innovative cantilever coping styrofoam forms that are easy to install and replace, and provide a visually impressive profile on any pool.

INDEX

STEEL POOL WALLS, STEPS, AND BENCHES

About	8-9
Pools	10-11
Steel Step Options (standard & open-pour)	12
Steel Step Options (drop-in & modular)	13

REPAIR PANELS

20" x 25" Repair - Badu Jet	14
18" x 18" Repair - Jiffy Lite	14
18" x 18" Repair - Light	14
18" x 18" Repair - Return	14
18" x 18" 1084 SKM Fix Panel	14
18" x 18" Spa Bright Light Rep	14
18" x 24" 1085 SKM Fix Panel	14
18" x 18" Repair - Blank	14
Light Punch Scrap Drop	14

LEVELER PANELS

1" x Flange O.D. x 6" x 8' Cap	14
1" x Flange O.D. x 6" x 6' Cap	14

ABOVE GROUND BUTTRESS

Above Ground Buttress - ST	15
48" Above Ground Buttress - ST	15

CORNER CAPS

Grecian Corner Cap	15
Small Inside Corner Cap	15

SKIMMER SUPPORTS

Skimmer Support Angle	16
Skimmer Support Channel	16

HANDRAIL AND LADDER JIGS

Handrail Jig	17
Vertical Ladder Jig	17
Horizontal Ladder Jig	17

TURNBUCKLES

One Piece Turnbuckle	18
Three Piece Turnbuckle	18

THREADED RODS

Three Piece Threaded Rod	20
------------------------------------	----

MISC.

18" Rebar 3/8" x 18" #3 Grad	20
24" Drive Stake w/ holes 12G	20
Threaded Rod	20
Threaded Angle Bracket	20
5/8" Hex Nut	20

VERSA BRACE

One Piece Versa Brace 42"	21
One Piece Versa Brace 48"	21

CALIFORNIA BRACE

California Joint Brace	22
----------------------------------	----

CORNER ANGLES AND INSERTS

Square Corner Angles	23
Big Vee Angles	23
Grecian Angles	24
Inserts	24

STEP ANGLES

Grecian Step Angle	24
------------------------------	----

6" STEEL RADIUS CORNER PANELS

6" Steel Radius Corner Panel	26
--	----

BOLT PACKS

Tek Screws	27
Bent Bolts	27
Bolt Packs	27
7' Drop-in Step Bolt Pack	27
Large Step Bolt Pack	27
Versa Brace Bolt Pack	27



THE BACKYARD DIP SERIES: A PLUNGE POOL COLLECTION

About	28
Pools	29
Vinyl Liner Options	30
Luxury Spa Upgrades	31

ULTIMATE POOLS

About	32-33
Pools	34-35
Ultimate Pool Kit	36
Epoxy-Powder Coating & Optional Add-Ons	37

QUAKER PLASTICS

About	38-39
Color Guide	40

DECK DRAINS

4" Water Hog	41
3" Water Hog	42
2" Removable Top Drain	43
2" Square Drain	44
Deck Drain-A-Way®	45
2" Paver Drain	46
Streamline	47

CONCRETE PRODUCTS

1" Paver Overlay	48
Replacement Cap Quaker Drain	48
Replacement Cap Common Drain	48
Arrowhead™ Control Joint	49
Arrowhead™ Control Joint Ext	49
Arrowhead™ Accent Strip	49

DISCHARGE HOSE

Heavy Duty Discharge Hose	50
-------------------------------------	----

LINER LOCKS

Liner Bead Wedge Lock	50
---------------------------------	----

LINER TRACKS

Side Mount	51
Top Mount	51
Radius Cut	51
6" Radius Corner for Top Mount	51

LINER HANGERS

Above Ground Pool Replacement Liner Hanger	52
Deluxe Above Ground Pool Replacement Liner Hanger	52

HOLDERS

Ceramic Tile Holder	53
Sign Holder	53

CARDINAL COPING AND LINER TRACK

About	54-55
-----------------	-------

RESOURCES

Coping Corner Length Installation	56
Color Guide	56

BULLNOSE COPING

PC	57
CB	57
CR	57
CP/C4	58
FC	58

LINER TRACK

Top Mount	
T2	59
T3	59
HZ Series	59
Side Mount	
AS	60
SM	60
VT	60
Cap Lock	
HC	61
T4	61
Double Track	
DT	61

SPECIALTY PROFILES

SS	62
CG	62
CC	63
Stone Coping Support System	64
SC	64

ACCESSORIES

Coping Tape	65
Vinyl Trim Seal	65
PAL Replacement Clips	65
Zinc Tek Screws	65
Touch-up Paint	65

CARDINAL LINERS

About	66-67
-----------------	-------

THERMOPLASTIC STEPS

About	68-69
Quaker Stairs - White	70-71
Quaker Stairs - Gray	72-73

THERMO STAIR PARTS KITS

Stair Mount Caps	74
Stair Trim Cover	74
Side Gaskets	74
Bottom Gaskets	74
Bottom Faceplate	74
Side Faceplates	74
Trim Cover Corners	74

GOODIE BAG PARTS

15/16" #10 Stainless Steel Screws	75
Stair Mount Caps	75
Roll Stair Trim Cover	75
Snap-in Trim Cover Corner Pieces	75

LUXURY SPAS

About	76-77
Luxury Spas	78

SPA FEATURES

Built-in Filtration	79
Hydrotherapy	79
Decorative Border	79

MODERN MOULDING

About	80-81
Coping Profiles	82-86
Radius Corners	87
Clips	87
Accessories	87





QUAKER PLASTIC
DRAINS AND MORE

DECK DRAINS



4" Water Hog
Page 35



3" Water Hog
Page 36



2" Removable Top
Page 37



2" Square Drain
Page 38



Deck Drain-A-Way
Page 39



2" Paver Drain
Page 40



Streamline
Page 41

CONCRETE PRODUCTS



1" Paver Overlay
Page 42



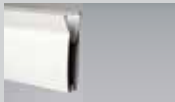
Replacement Cap for
Quaker Drain
Page 42



Replacement Cap for
Common Drain
Page 42



Arrowhead Control Joint
Page 43



Arrowhead Control Joint
Extension Base
Page 43



Arrowhead Accent Strip
Page 43

LINER TRACKS



Side Mount
Page 45



Top Mount
Page 45



Top Mount Radius Cut
Page 45



6" Radius Corner for Top
Mount
Page 45

ACCESSORIES



Discharge Hose
Page 44



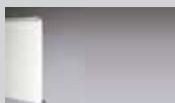
Liner Bead Wedge Lock
Page 44



Above Ground Pool
Replacement Liner Hanger
Page 46



Deluxe Above Ground
Pool Replacement Liner
Page 46



Ceramic Tile Holder
Page 47



Sign Holder
Page 47

PRODUCT
REFERENCE GUIDE



COPING AND
LINER TRACK

BULLNOSE COPING



PC
Page 51



CB
Page 51



CR
Page 51

CAP LOCK COPING



CP
Page 52



C4
Page 52



FC
Page 52

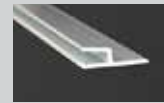
TOP MOUNT LINER TRACK



T2
Page 53

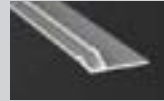


T3
Page 53

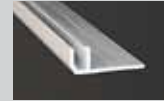


HZ
Page 53

SIDE MOUNT LINER TRACK



AS
Page 54

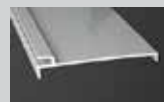


SM
Page 54



VT
Page 54

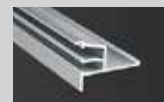
CAP LOCK LINER TRACK



HC
Page 55



T4
Page 55



DT
Page 55

DOUBLE TRACK

SPECIALTY COPING AND LINER TRACK PROFILES



SS
Page 56



CG
Page 56

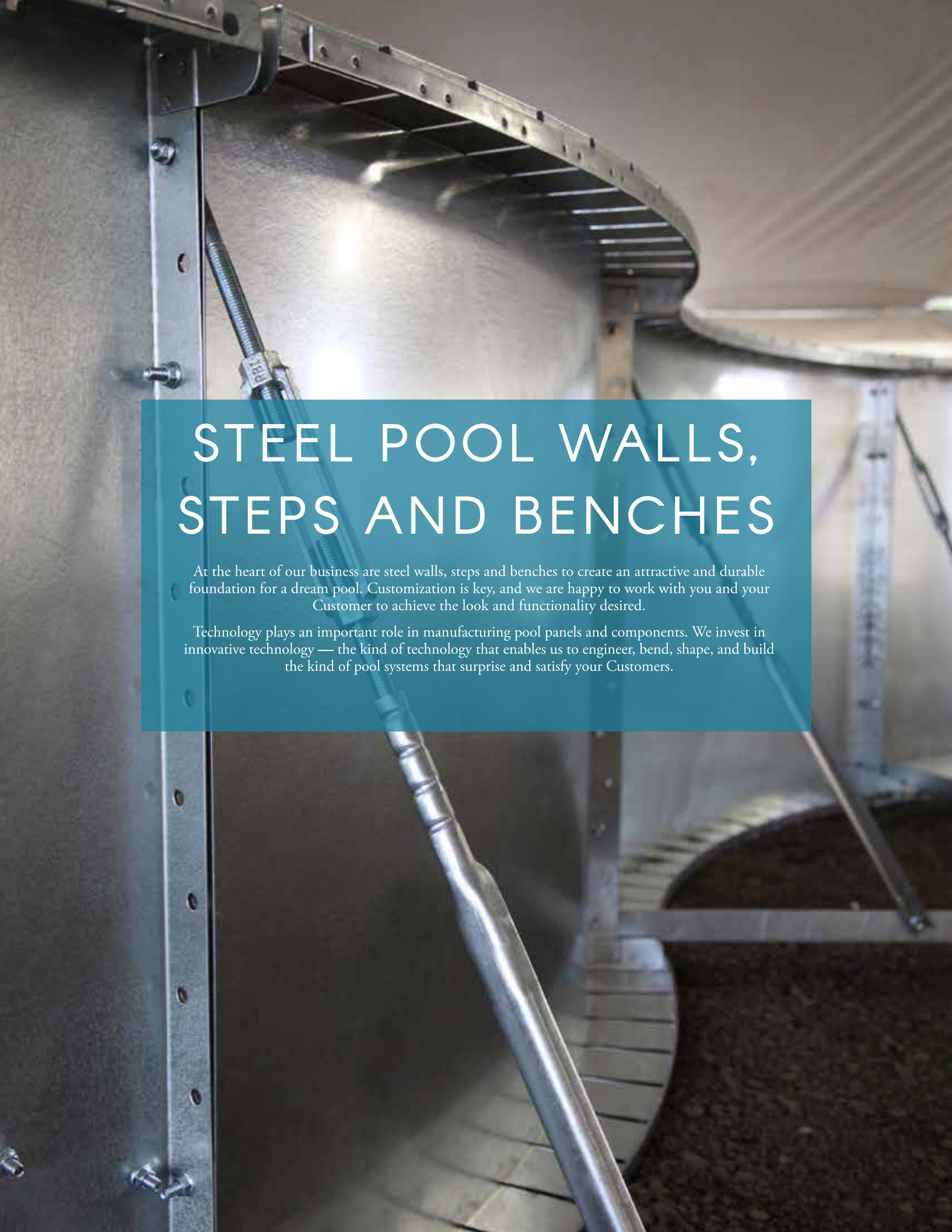


CC
Page 57



SC
Page 58

*For coping and liner track accessories please see page 59.



STEEL POOL WALLS, STEPS AND BENCHES

At the heart of our business are steel walls, steps and benches to create an attractive and durable foundation for a dream pool. Customization is key, and we are happy to work with you and your Customer to achieve the look and functionality desired.

Technology plays an important role in manufacturing pool panels and components. We invest in innovative technology — the kind of technology that enables us to engineer, bend, shape, and build the kind of pool systems that surprise and satisfy your Customers.



STEEL PANEL WALLS & FABRICATED PARTS

Cardinal's steel pool wall panels are made from the finest North American-sourced materials. Our manufacturing processes and computer design ensure that every panel is consistent and accurate every time, guaranteeing a perfect fit and easy assembly on the job site. Steel wall panels are made of 14-gauge galvanized steel or ZAM corrosion resistant steel and are engineered precisely for seamless installation. For extra strength where it counts, the wide top and bottom flanges are mitered at each corner to join the strength of the vertical side flanges. The horizontal and vertical flanges are then united by our unique toggle-locking system to join the two together. No welding is needed, therefore the integral protection of the galvanization is completely preserved.

Behind each panel are steel fabricated parts that support the pool system to keep it structurally stable and durable against harsh conditions. Our expertise in precise fabrication allows for complete customization including: linear & freeform shapes, specialty steps, benches, or sun-shelves. Our engineering brings almost any pool vision to life.

BRACES & SUPPORTS

A-FRAME BRACE - One of the several types of adjustable wall supports that ensure a straight square structure, with or without water.

VERSA DECK BRACE - Versa Deck Braces permit concrete or other decking material to be installed immediately after the pool is installed, without waiting for the back to settle. The inverted "A" shape transfers the weight of the deck to the base of the wall using the outward pressure of the water to equalize the stress on the wall.

SKIMMER SUPPORT - Designed to support the weight of the skimmer during and after backfilling, the skimmer support fits securely under the skimmer on the wall's bottom flange.

SHAPES FOR ANY SPACE

Cardinal's wide variety of pool shapes provides you the ability to give your Customers the right look for their environment.

Our CAD Team can take any drawing and transform it into a workable blueprint of your Customer's dream pool, with elegance and functionality at the forefront.

SOME STANDARD SHAPES AND SIZES

1. RECTANGLE

14' x 28' • 16' x 36' • 16' x 32' • 18' x 36' • 16' x 34' • 20' x 40'

2. GRECIAN

14.5' x 28.5' • 16.5' x 32.5' • 16.5' x 35.5' • 17' x 31' • 17' x 34' • 18' x 37' • 20' x 40'

3. ROMAN END

16' x 32' • 18' x 36' • 20' x 40'

4. DOUBLE ROMAN END

16' x 32' • 18' x 36' • 20' x 40'

5. TRUE ELL

16' x 32' • 12' x 26' • 18' x 40' • 30' x 12'

6. LAZY ELL

16' x 39' • 18' x 43' • 20' x 44'

7. KIDNEY

14' x 28' • 16' x 32' • 16' x 34' • 16' x 36' • 18' x 36' • 20' x 40'

8. OASIS

16' x 34' • 18' x 36' • 18' x 38'

9. MOUNTAIN POND

14' x 28' • 16' x 32' • 18' x 36'

10. LAGOON

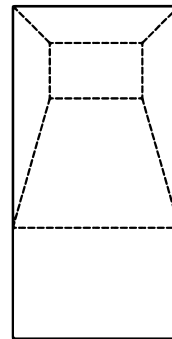
22' x 34' x 40' • 18' x 29' x 35'

11. CELEBRITY

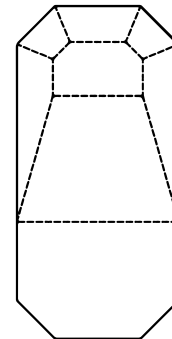
16' x 32' • 18' x 36' • 20' x 40'

12. OVAL

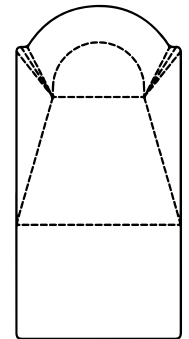
12' x 24' • 14' x 28' • 15' x 30' • 16' x 32' • 16' x 34' • 16' x 36' • 17' x 27' • 18' x 36'



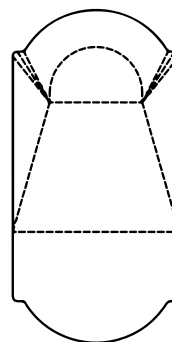
1. RECTANGLE



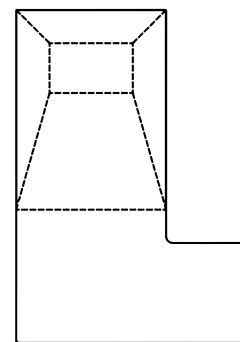
2. GRECIAN



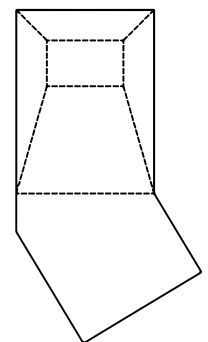
3. ROMAN END



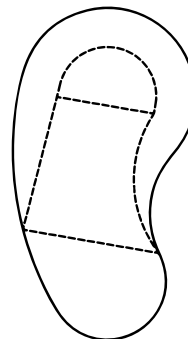
4. DOUBLE ROMAN END



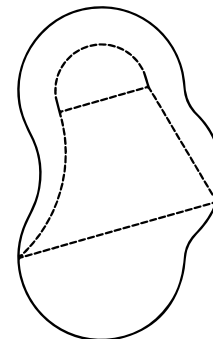
5. TRUE ELL



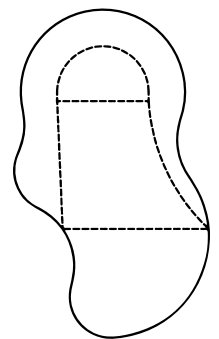
6. LAZY ELL



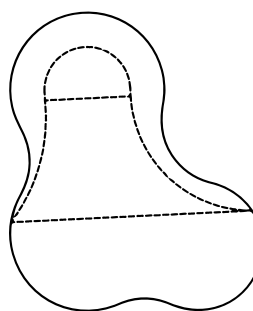
7. KIDNEY



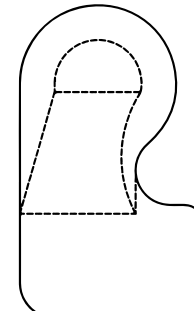
8. OASIS



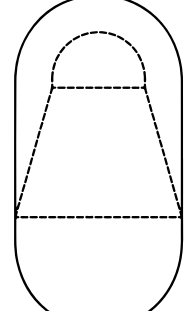
9. MOUNTAIN POND



10. LAGOON



11. CELEBRITY



12. OVAL



1. STEEL PANEL WALLS

The top, bottom, and vertical flanges, as well as panel stiffeners ("Z" braces) are secured using the toggle-lock fastening system. The result being a panel with maximum strength, minimal deflection, and a perfectly square structure, every time.

2. A-FRAME BRACE

One of the several types of adjustable wall supports that ensure a straight square structure, with or without water.

3. VERSA DECK BRACE

The use of versa deck braces permits concrete or other decking material to be installed immediately after the pool is installed, without waiting for the back to settle. The inverted "A" shape transfers the weight of the deck to the base of the wall using the outward pressure of the water to equalize the stress on the wall.



STEEL STEPS OPTIONS



STEP INTO

Cardinal's steel steps, benches, and entryways create an attractive and durable foundation for any dream pool.

Whether choosing from our wide selection of standard steps or a completely custom idea, Cardinal stands ready with the most advanced manufacturing technology, design software, and handcrafted precision to ensure an accurate finished product, every time. All items are manufactured with 14-gauge steel or ZAM corrosion resistant steel, and include aluminum liner track for easy liner installation. Every new model is thoughtfully designed to ensure a "perfect-fit" when installed on-site, as well as anticipate the visual appeal of a Cardinal Liner on top for a natural & elegant look in any pool.

Cardinal offers standard, open pour, and modular steps for new builds, and even drop-in step options for renovation projects. Our fully accessible Step Finder Library allows you to explore available step models at our Cardinal facility.

Quite simply, Cardinal steel steps and benches are unmatched for performance, function, and elegance.



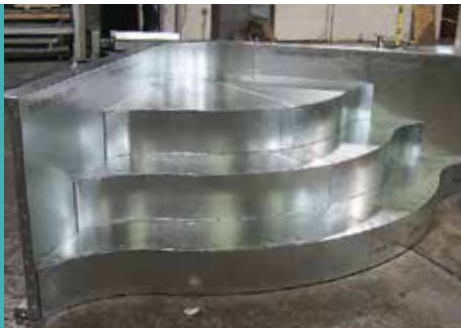
STANDARD STEPS

Cardinal offers over 150 standard steel step and bench models available in any 42 or 48" height, and practically any shape. Custom entry steps, benches, lounges, and sundecks are our specialty, and can be manufactured to fulfill almost any design.



OPEN POUR STEPS

We want YOU to have the flexibility to decide what is best for your Customer. Keep your options open and affordable with an Open Pour step, bench, or sundeck solution. Every step created by Cardinal is available as Open Pour, with step-by-step instructions for simple assembly on-site.



Precision Design

Our precise design process allows for custom steps that go together with ease.



Easy Installation

Easy in-field installation with confidence for a perfect fit.



Beautiful Finish

Finished step creates a beautiful entrance to the completed pool.

STEEL STEP OPTIONS

TEK SCREW FLANGE TO EXISTING POOL WALL

LINER TRACK

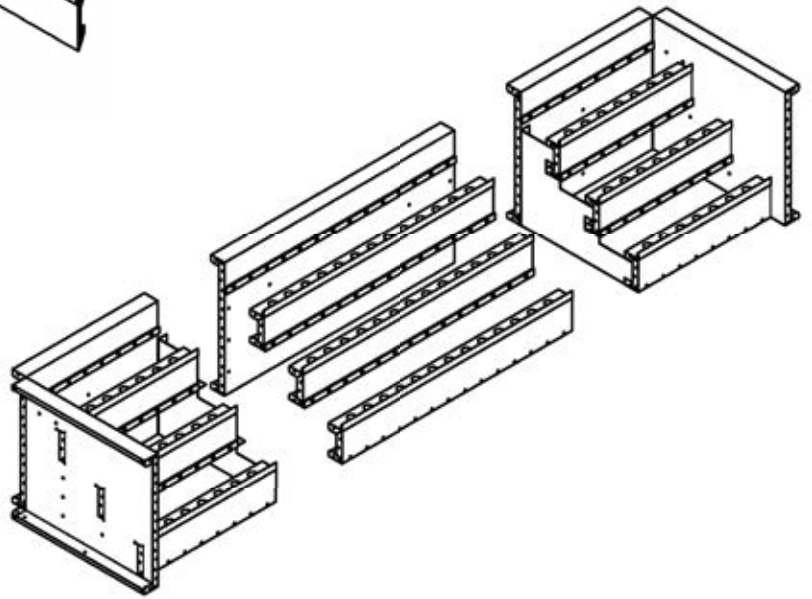
SCREED EDGE

DROP-IN STEPS

Ideal for pool renovation projects where a step needs to be added, Drop-Ins can be easily set during a replacement liner installation. New Drop-In designs are created as Open-Pour, while our stock Drop-Ins have availability in solid Standard steel.

MODULAR STEP SYSTEM

Knowing each pool is unique to its landscape and Customer, the Modular Step allows for an extended entryway to fit essentially any pool width. Customers choose a left, right, and appropriate quantity of middle sections to create an extended step module to fit the pool's specifications.



Check out the Cardinal Step Finder by scanning the QR Code or visiting: cardinalpools.com/products/steel-steps-entries/



PARADISE

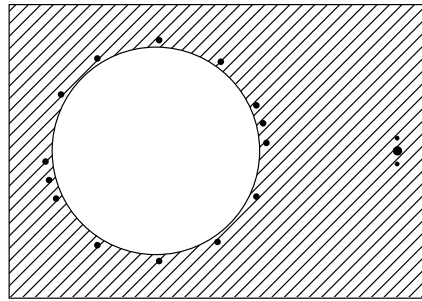
PANELS

REPAIR PANELS

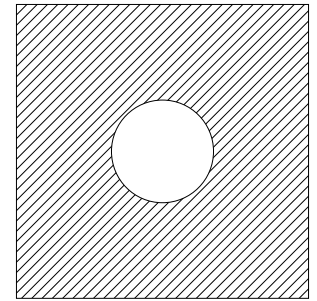
REPAIR PANELS	
ITEM NO.	DESCRIPTION
CSFIXBAD	20" x 25" Repair - Badu Jet
CSFIXJIF	18" x 18" Repair - Jiffy Lite
CSFIXLT	18" x 18" Repair - Light
CSFIXRT	18" x 18" Repair - Return
CSFIXSK	18" x 18" 1084 SKM Fix Panel
CSFIXSPA	18" x 18" Spa Bright Light Rep
CSFIXWS	18" x 24" 1085 SKM Fix Panel
CSFIXXX	18" x 18" Repair - Blank
CS-LIGHT DROP	Light Punch Drop

Used for renovations such as corrosion due to a leaky gasket. These panels pop-rivet to an existing panel.

*Custom repair panels, available upon request.



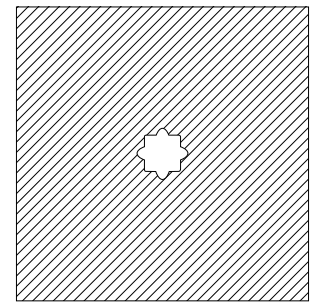
CSFIXBAD



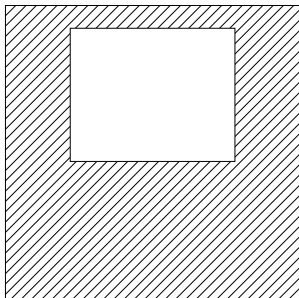
CSFIXJIF



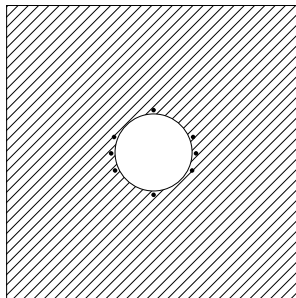
CSFIXLT



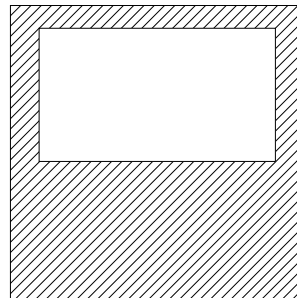
CSFIXRT



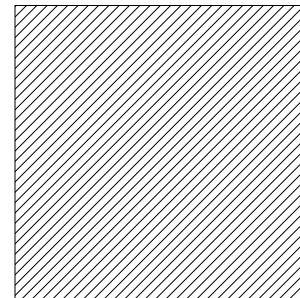
CSFIXSK



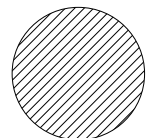
CSFIXSPA



CSFIXWS



CSFIXXX

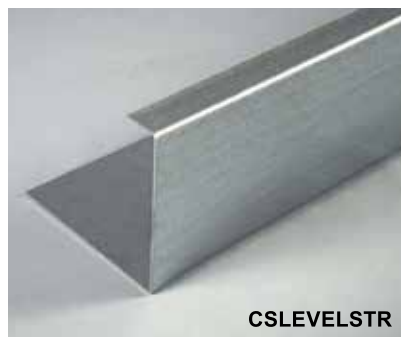


CS-LIGHT DROP

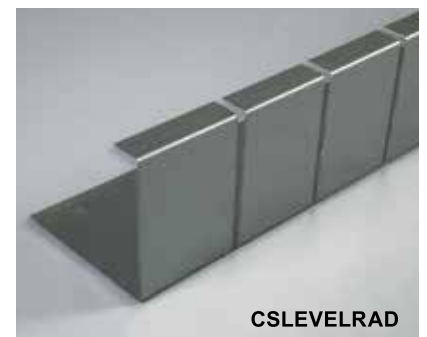
LEVELER PANELS

LEVELER PANELS	
ITEM NO.	DESCRIPTION
CSLEVELSTR	1" x Flange O.D. x 6" x 8' Cap
CSLEVELRAD	1" x Flange O.D. x 6" x 6' Cap

Used to re-level the top of a panel due to settling. The leveler panels pop-rivet onto the top face of an existing panel.



CSLEVELSTR

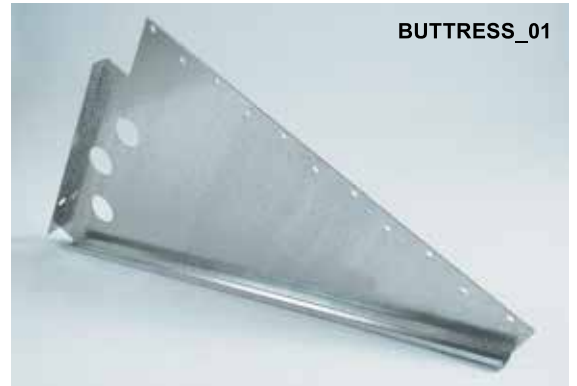


CSLEVELRAD

ABOVE GROUND BUTTRESSES

ABOVE GROUND BUTTRESSES	
ITEM NO.	DESCRIPTION
BUTTRESS_01	Above Ground Buttress - ST
BUTTRESS_02	48" Above Ground Buttress - ST

For above ground pool applications. Replaces the 3 and 4 piece A-frame used on the inground frame.



GRECIAN CORNER CAP

GRECIAN CORNER CAPS	
ITEM NO.	DESCRIPTION
CS000GC	Grecian Corner Cap - 6 1/2"

This piece ties corners together on a Grecian pool to give more rigidity on the top of the panels. This 45° angle helps keep the panels from pushing out and locks them into place.



SMALL INSIDE CORNER CAP

SMALL INSIDE CORNER CAPS	
ITEM NO.	DESCRIPTION
CS904FC	Small Inside Corner Cap

This piece ties corners together on a 90° angle on pool panels and helps keep the panels from pushing out and locks them into place.



SKIMMER SUPPORTS

SKIMMER SUPPORT ANGLE

SKIMMER SUPPORT ANGLE	
ITEM NO.	DESCRIPTION
CS401SA	7" Skimmer Support Angle

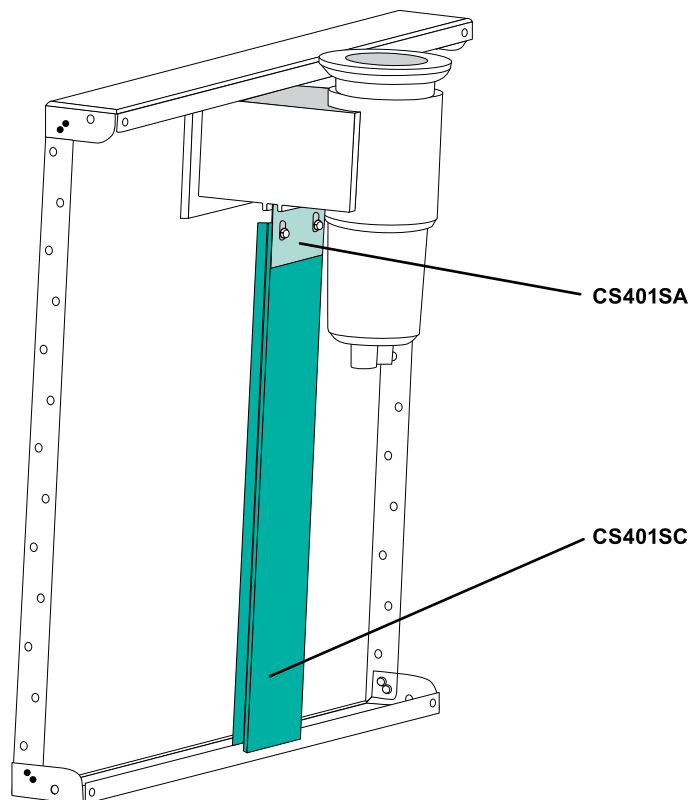
The skimmer support angle and channel both work together to support the skimmer. The angle is the top adjustable bracket.



SKIMMER SUPPORT CHANNEL

SKIMMER SUPPORT CHANNEL	
ITEM NO.	DESCRIPTION
CS401SC	32" Skimmer Support Channel
CS448SC	Skim Support Chan/48" Panel

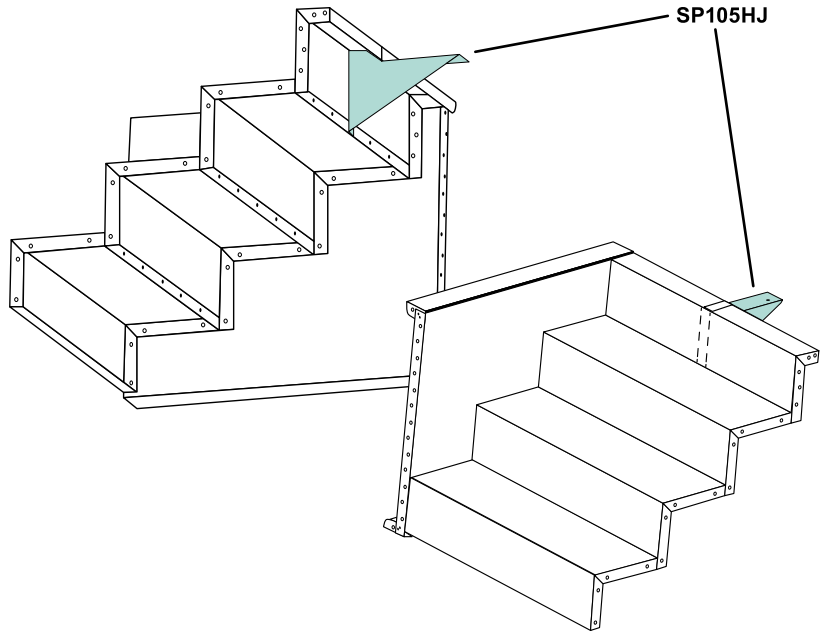
The skimmer support channel supports the skimmer to prevent cracking at the neck location due to settling. The channel clips to the flange.



HANDRAIL JIG

HANDRAIL JIGS	
ITEM NO.	DESCRIPTION
SP105HJ	Handrail Jig

Allows for attachment of handrail sockets.



VERTICAL LADDER JIG

VERTICAL LADDER JIGS - 42"	
ITEM NO.	DESCRIPTION
CS302VA	Vertical Ladder Jig

VERTICAL LADDER JIGS - 48"	
ITEM NO.	DESCRIPTION
CS348VA	Vert PC/Ladder Jig/48" Panel

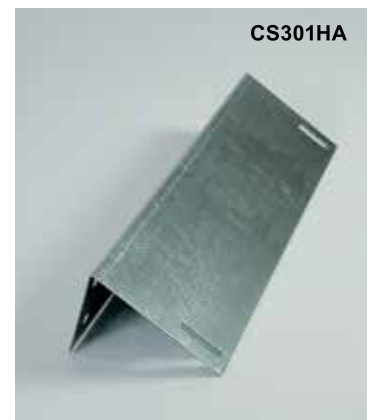
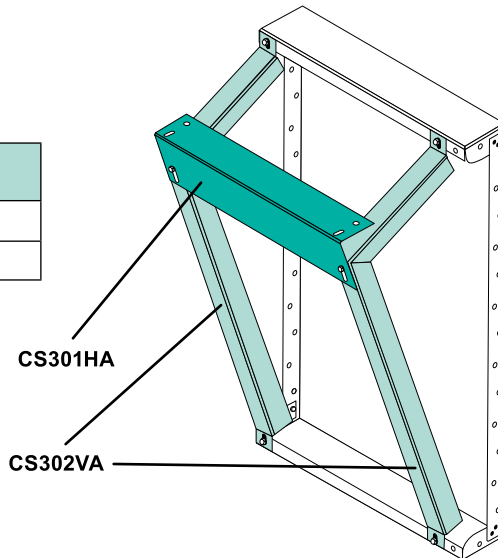
Allows for easy attachment of ladders to the deck.



HORIZONTAL LADDER JIG

HORIZONTAL LADDER JIGS	
ITEM NO.	DESCRIPTION
CS301HA	Horizontal Ladder Jig

Allows for easy attachment of ladders to the deck.



TURNBUCKLES

ONE PIECE TURNBUCKLE

ONE PIECE TURNBUCKLE	
ITEM NO.	DESCRIPTION
CS600OPT	1 pc. Turnbuckle A-Frame
CS608DH	18" Drive Stake w/ Holes

* The 1 pc. Turnbuckle A- Frame integrates a turnbuckle and notched short angle as one unit. The bottom of the turnbuckle is crimped to allow it to bend on the A-Frame Assembly.

THREE PIECE TURNBUCKLE

THREE PIECE TURNBUCKLE	
ITEM NO.	DESCRIPTION
CS600TA	Turnbuckle Assembly
CS606ES	Notched Short Angle
CS608DH	18" Drive Stake w/ Holes

The 3 pc. Turnbuckle requires a turnbuckle and notched short angle that function as separate units. It also needs an 18" or 24" drive stake to be inserted into the notched short angle and used to support the Turnbuckle Assembly.

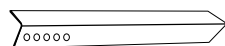
*CS600OPT



CS606ES



CS608DH





THREADED RODS

THREE PIECE THREADED ROD

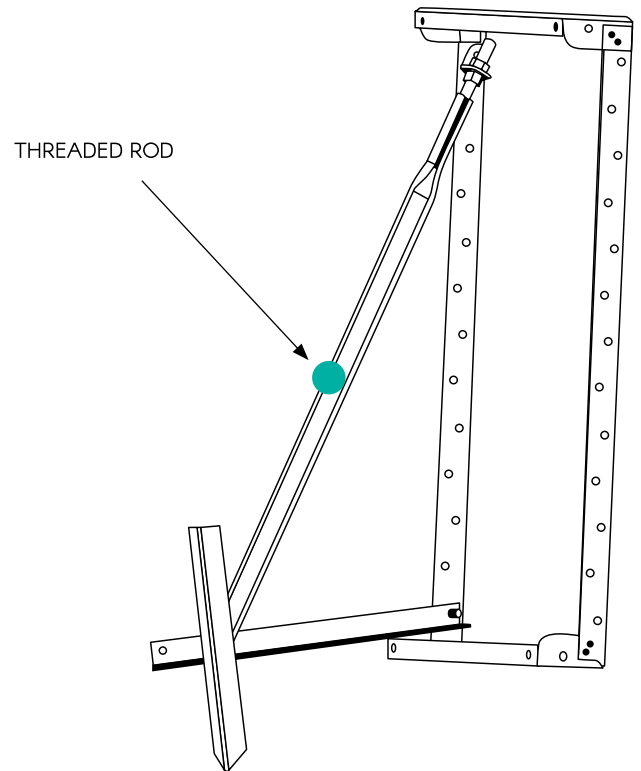
THREE PIECE THREADED ROD	
ITEM NO.	DESCRIPTION
CS602TR	Threaded Rod/ Bracket/ Nuts Assembled
CS606ES	Notched Short Angle
CS608DH	18" Drive Stake w/ Holes

Use to plumb panels.

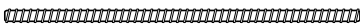
MISC.	
ITEM NO.	DESCRIPTION
CS619RB	18" Rebar 3/8" x 18" #3 Grade
CS624-12DH	24" Drive Stake w/ holes 12G
CS601TA	Threaded Rod
CS603TB	Threaded Angle Bracket
BP858HN	5/8" Hex Nut

Use to plumb panels.

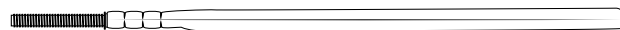
Threaded Rod A-Frame Assembly
 *Threaded rod, notched short angle, and drive stake make up 3 pc. Threaded Rod A-Frame.



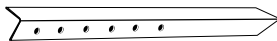
CS619RB



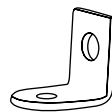
CS601TA



CS624-12DH



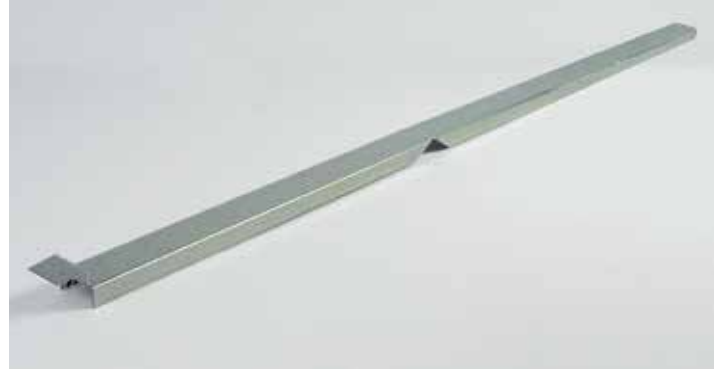
CS603TB



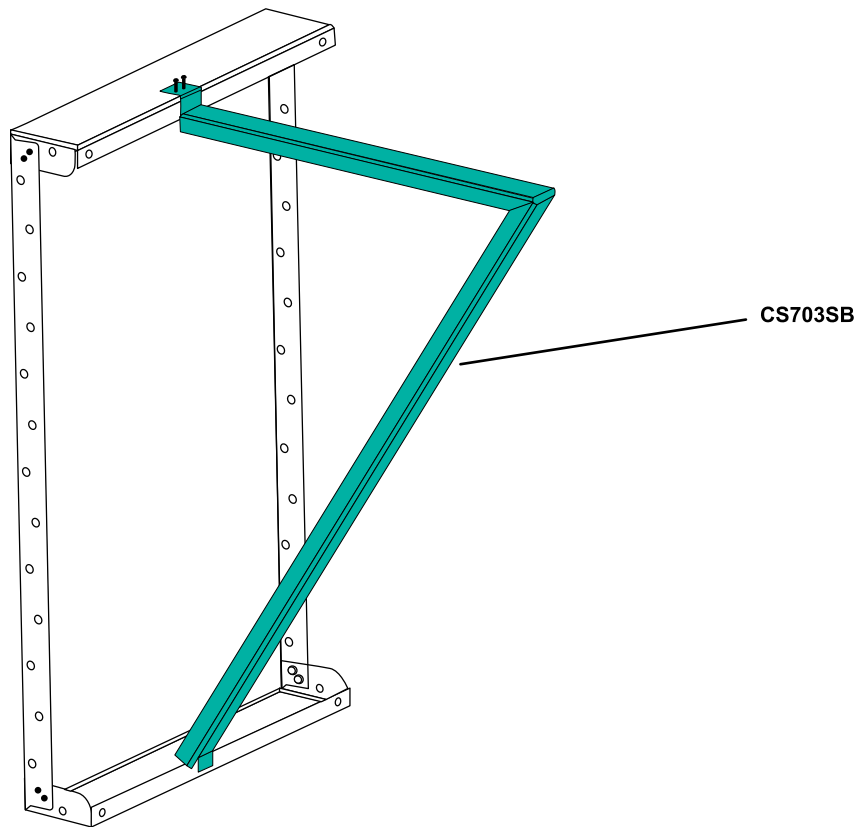
ONE PIECE VERSA BRACE

ONE PIECE VERSA BRACE - 42"	
ITEM NO.	DESCRIPTION
CS703SB	One Piece Versa Deck Brace Angle
BP000TS	#12 Hex Tek Screw - 110 per box

ONE PIECE VERSA BRACE - 48"	
ITEM NO.	DESCRIPTION
CS703SB-48	One Piece Versa Brace Deck Angle/48"
BP000TS	#12 Hex Tek Screw - 110 per box



Does not require bolt locations. Tek screws at the top and clips at the bottom.



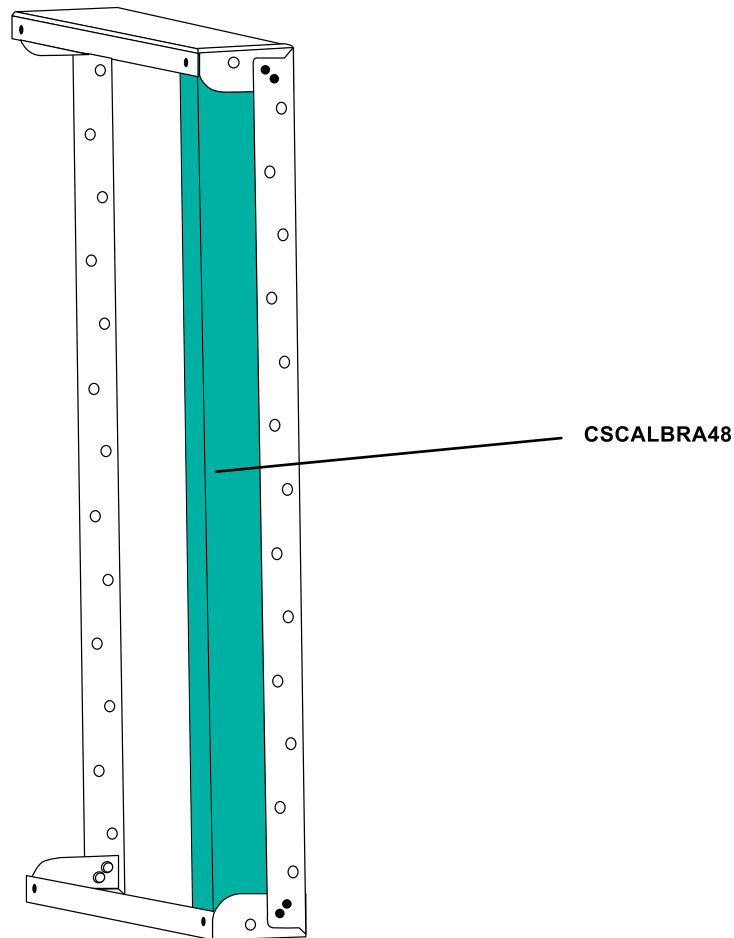
CALIFORNIA BRACE

CALIFORNIA BRACE

CALIFORNIA BRACE	
ITEM NO.	DESCRIPTION
CSCALBRA48	CA. Joint Brace - 48"

Standard Size. *Other sizes are available.
Acts as a joint stiffener.

*Mandatory on all panels over 48".

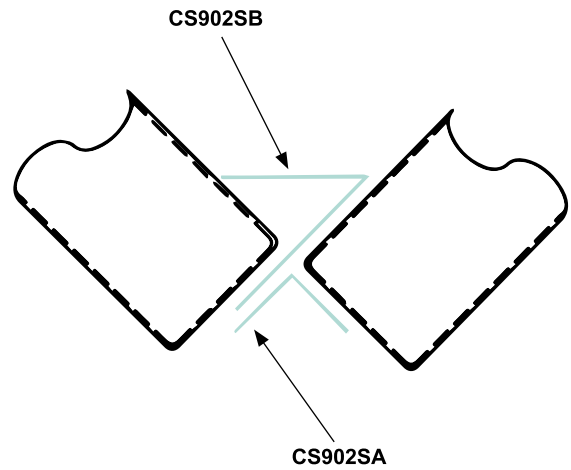
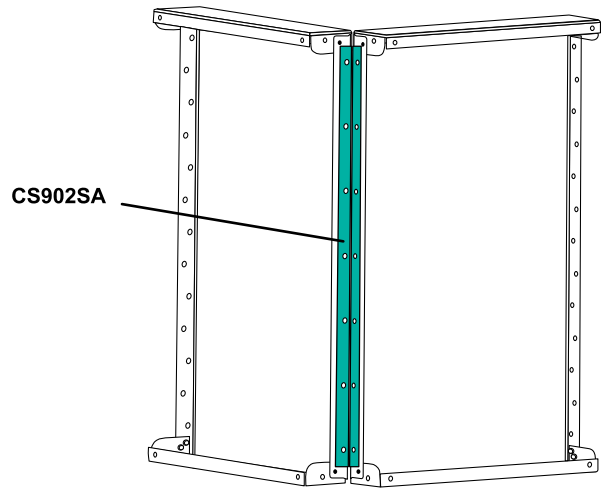


SQUARE CORNER ANGLES

SQUARE CORNER ANGLES	
ITEM NO.	DESCRIPTION
CS902SA	Square Corner Angle
CS948SA	48" Square Corner Angle

Angles listed above are for 42" or 48" pool kits. *Other sizes and angles are available.

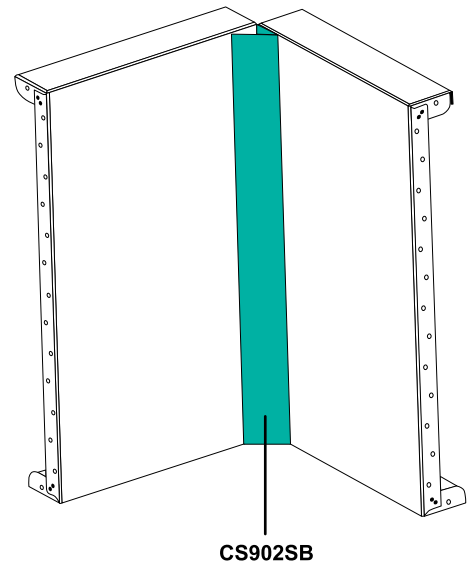
Ties a 90° corner together.



BIG VEE ANGLE

BIG VEE ANGLES	
ITEM NO.	DESCRIPTION
CS902SB	Big Vee Angle (for 6" Radius)
CS948SB	48" Big Vee Angle
CS902SA	Corner Angle

6" radius diagonal filler.

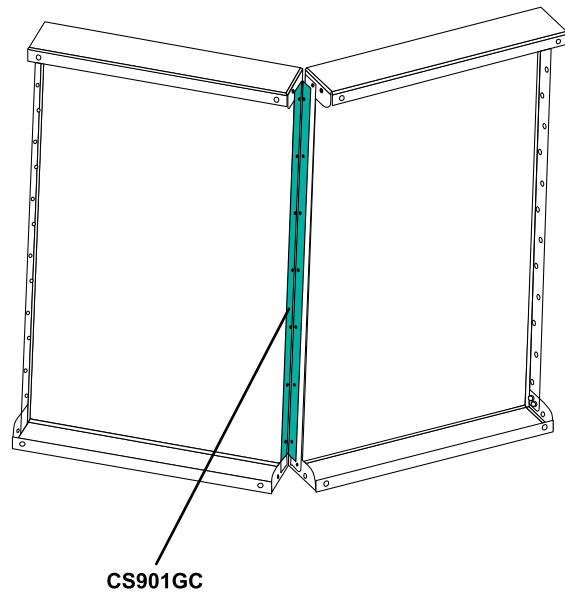


CORNER ANGLES, INSERTS AND STEP ANGLES

GRECIAN ANGLES

GRECIAN ANGLES	
ITEM NO.	DESCRIPTION
CS901GC	Grecian Corner Angle
CS948GC	48" Grecian Corner Angle

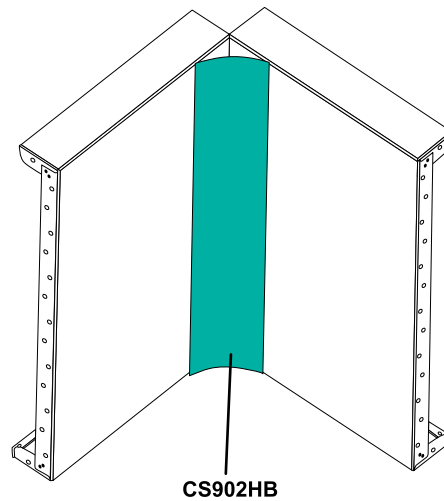
Ties a 45° corner together.



INSERTS

INSERTS	
ITEM NO.	DESCRIPTION
CS902HB	Heldor, 6" Radius Corner Insert
CS903FC	Foam Inserts 3.5" 3.5 x 5 x 40

6" radius roll form filler.



STEP ANGLES

STEP ANGLES	
ITEM NO.	DESCRIPTION
CS900GS	Grecian Step Angle

Attach a plastic or fiberglass stair or bench option to the panel.

Step Angles listed are for 42" pool kits. *Other sizes and angles are available.





6" STEEL RADIUS CORNER PANELS

6" STEEL RADIUS CORNER PANELS

6" STEEL RADIUS CORNER PANELS	
ITEM NO.	DESCRIPTION
5C42193XX00600	6" Steel Radius Corner Panels (g235)
ZC42193XX00600	6" Steel Radius Corner Panels (ZAM)



- *Decrease construction time by eliminating the assembly of small parts and use of hardware in tight spaces*
- *Automatically line up and square the straight walls on the pool*
- *True curved 6" radius vs. Diagonal inserts*
- *Matches up to our 6" radius coping corners*
- *Each corner takes one linear foot off of each wall*
- *The FIRST 6" radius steel corner on the market*



BRAND NEW for 2024!



TEK SCREWS

TEK SCREWS	
ITEM NO.	DESCRIPTION
BP000TS	#12 Hex Tek Screw - 110 per box



BENT BOLTS

BENT BOLTS	
ITEM NO.	DESCRIPTION
BP500JS	56 - 2" Bent Bolts w/ Nuts (BP838HN) (Grecian)



BOLT PACKS

BOLT PACKS	
ITEM NO.	DESCRIPTION
BP216JS	216 Nuts/Bolts Per Pack
BP192JS	192 Nuts/Bolts Per Pack



7' DROP-IN STEP BOLT PACK

DROP-IN STEP BOLT PACKS	
ITEM NO.	DESCRIPTION
BP500DS	20 Hex Screws (BP375HB) 12 Stair Clips (SP0746) 26 Slotted Flathead Screws (BP834MB) 26 Bolts with Nuts (BP810MB) 52 3/8" Serrated Hex Nuts (BP838HN) per pack



LARGE STEP BOLT PACKS

LARGE STEP BOLT PACKS	
ITEM NO.	DESCRIPTION
BP375HB	Bolts w/ Nuts (BP838HN)
BP810MB	Bolts w/ Nuts (BP838HN)
SP0746	Stair Clips



VERSA BRACE BOLT PACKS

VERSA BRACE BOLT PACKS	
ITEM NO.	DESCRIPTION
BPS30DB	2" Bolts w/ Nuts (BP838HN)
BP000TS	#12 Hex Tek Screw - 110 per box

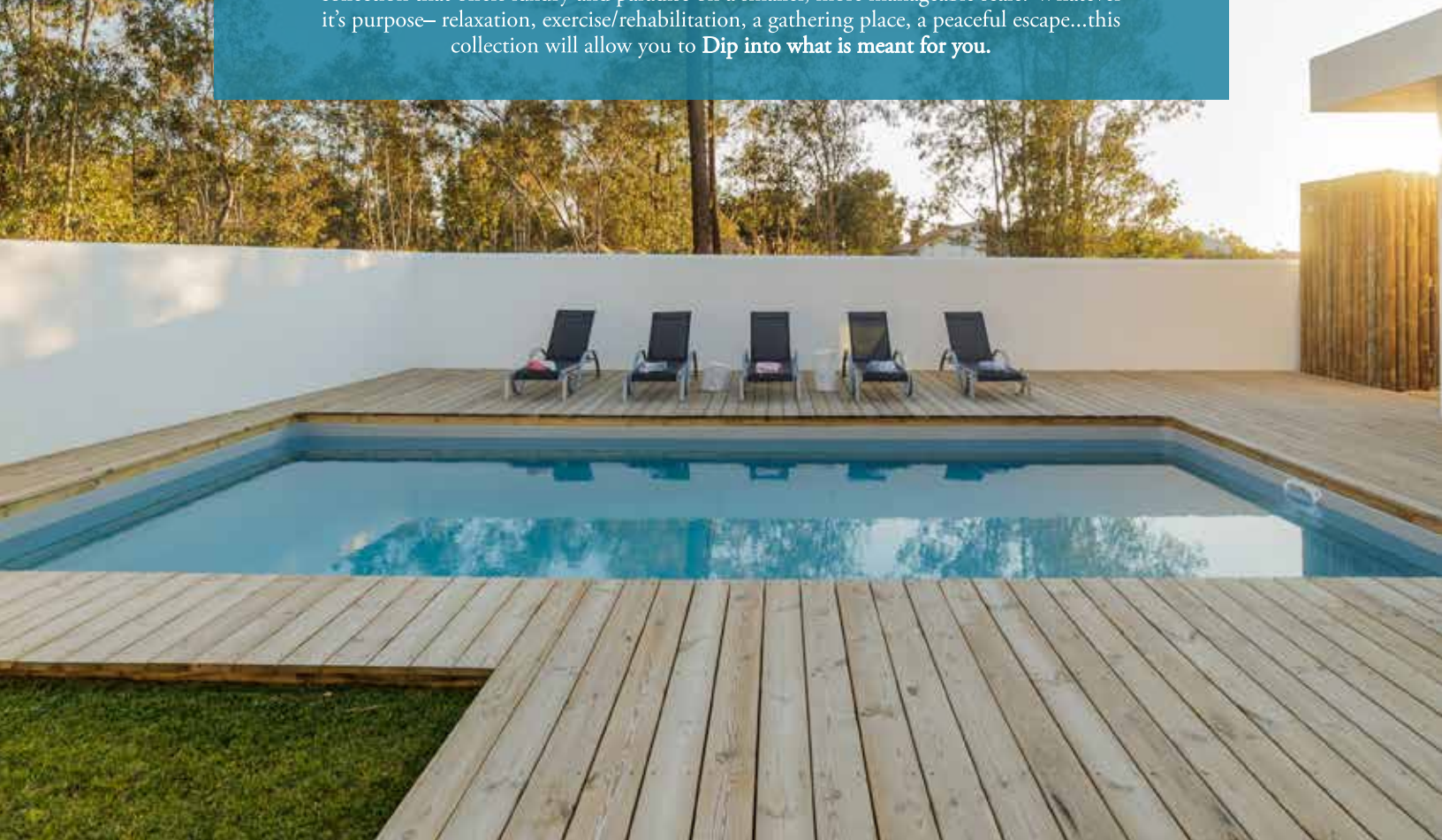


THE BACKYARD DIP SERIES: A PLUNGE POOL COLLECTION

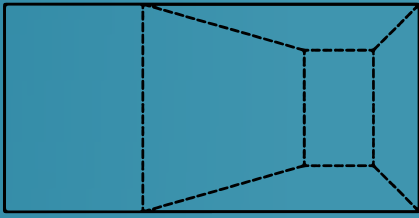
The thought of owning a pool is often a dream, and remains a dream for today's average Homeowner. It may be that your backyard is 'too small' or your budget won't accommodate a standard pool. Perhaps your busy lifestyle doesn't mesh with the longterm upkeep and maintenance that a large luxury item requires.

That may be too much, but an empty yard is not enough... right?

To today's Homeowner, we *hear you, we see you*. You want a manageable space that you can unwind, and simply *dip into* after a long day. Our *Backyard Dip Series* is a plunge pool collection that offers luxury and paradise on a smaller, more manageable scale. Whatever its purpose—relaxation, exercise/rehabilitation, a gathering place, a peaceful escape...this collection will allow you to **Dip into what is meant for you.**



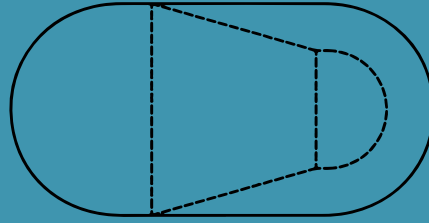
SHAPE & SIZE



Rectangle

8' x 16' • 10' x 20' • 12' x 24'

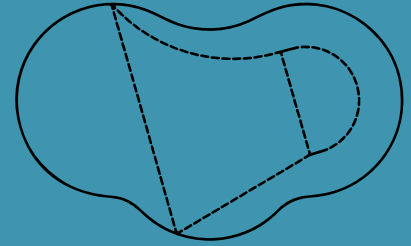
All sizes include Poured Step
Optional Additions: Sundeck,
Drop-in Deep End Bench



Oval

8' x 16'

Includes Poured Step
Optional Addition:
Drop-in Deep End Bench



Oasis

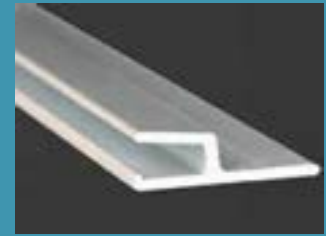
9' x 20'

Includes Poured Step
Optional Addition:
Drop-in Deep End Bench

COPING OPTIONS



CARDINAL'S CR
COPING



CARDINAL'S HZ
LINER TRACK



FEATURES: All Plunge Pool Kits from the *Backyard Dip Series* Include:

- 54" high galvanized steel walls
- Turnbuckle braces
- Versa braces
- 1 Skimmer panel & 1 Return panel
- Cardinal Vinyl Liner
- Choice of Cardinal's CR or HZ coping

(Autocover capabilities with no coping option)

VIYNL OPTIONS

CARDINAL *Vinyl*



Our Liners are crafted in our in-house Liner Shop to the exact size specifications of your plunge pool, with quality inspection guaranteed.

Vinyl lays uniform and tight against the straight edges or free flowing curves on steel steps, benches and sundecks for an elegant finish in any pool. Cleaning, swimming & lounging are comfortable and hassle-free as all Liners are smooth and easy to maintain, unlike the abrasive nature of concrete or tile. Choose from selection of patterns below to give your pool an essence of comfort, style, and cohesion within your backyard.



EASY TO CLEAN
& MAINTAIN



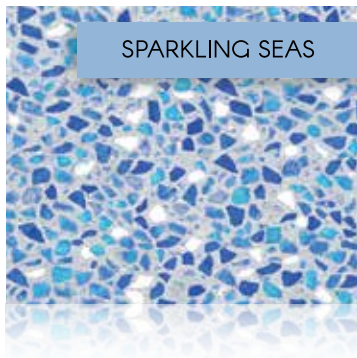
ULTRAVIOLET
INHIBITORS &
ANTIBACTERIAL
AGENTS



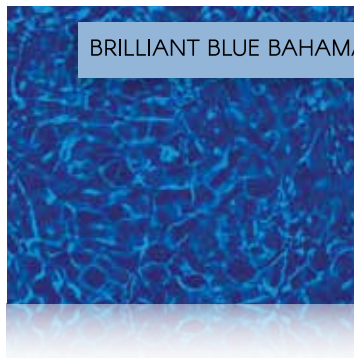
CUSTOM,
HANDCRAFTED
VINYL



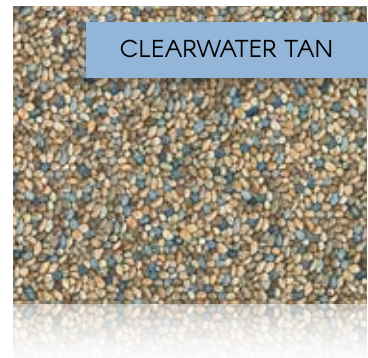
BACKED BY
WARRANTY



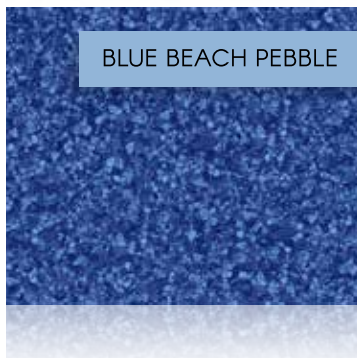
SPARKLING SEAS



BRILLIANT BLUE BAHAMA



CLEARWATER TAN



BLUE BEACH PEBBLE



WHITE DIFFUSION



SEAGLASS

• Listed 27 mil, full print patterns available only

LUXURY
Spas

Made with precision and the highest quality product coupled with state-of-the-art features, upgrading your plunge experience with a Luxury Spa can provide endless rejuvenation all year long. Our Standard and Spill-Over options allow you to choose the function and movement of your outdoor living space. Available in two sleek color variations, a Cardinal Spa is simply an extension of elegance to any pool.



UPGRADE YOUR
EXPERIENCE



STANDARD
ROUND



STANDARD
SQUARE



SPILL-OVER
ROUND



SPILL-OVER
SQUARE

FEATURES:

Sterling Silver or Storm Cloud Colors
12 or 25 Jet Systems
Easy Entry Steps
Interior Embossed Wave Detail
Built-in Filtration

Hydrotherapy Stainless Steel Jets
Adjustable Air Control
Diverter Valve for Whirlpool Action
Optional Covers

ULTIMATE POOL

EXPERIENCE



Our Ultimate Pool designs provide the ultimate versatility. Whatever the landscape requires or your Customer's dream idea consists of, the Ultimate Pool comes in shapes and sizes to fit any space. Whether inground, above ground, or semi-inground, all Ultimate Pool walls and buttress supports are made with galvanized steel and state-of-the-art epoxy powder coating to provide long-lasting protection from corrosion, and are backed by a lifetime warranty. **Your Ultimate Pool experience begins with us!**



FLEXIBLE INSTALLATION

The Ultimate is offered in four standard shapes and multiple sizes. As an additional option, our round shape option can be assembled as an above ground pool in addition to inground and semi-inground. The grecian, modified rectangle, and oval shapes must be submerged in the ground at least 16" and require buttress supports and a concrete collar similar to an inground pool.

DURABILITY

Our state-of-the-art epoxy powder coating system provides long lasting protection from corrosion on our walls and buttress supports, and is backed by a limited lifetime warranty. Combining this with a concrete bonding ring on oval, grecian, and modified rectangle pools provides lasting strength in any soil. Optional Siding Kits are available for above ground, and semi-inground applications only.



BUTTRESS

The 14-gauge powder coated steel buttress, when combined with a concrete bond beam, provides wall support for straight walls on oval, modified rectangle, and grecian pools. The buttress support system helps ensure the pool walls are straight and will last the lifetime of the pool.

OPTIONAL ADD-ONS

Customization is the Cardinal way, and Ultimate Pools are no exception. Optional add-ons can be included to suit your customer's needs, such as: Stairs, Snap-In Covers, Lighting, additional Vinyl Liner patterns, and Siding Kits.



ULTIMATE POOLS

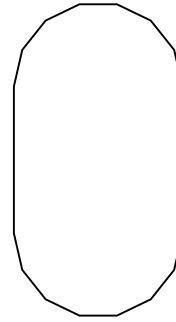
SHAPE YOUR SPACE

Cardinal's variety of Ultimate Pool styles provide you the ability to give your Customers the right look & fit for their environment.

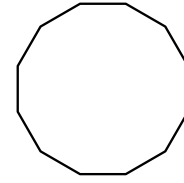
The Ultimate Pool can be installed above ground, semi-inground, or completely inground in either our standard Grecian, Oval, Round, or Modified Rectangle shapes.



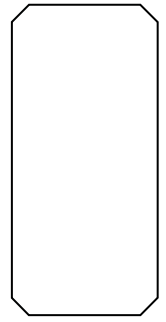
GRECIAN



OVAL



ROUND



MODIFIED RECTANGLE

STANDARD SHAPES & SIZES

1. GRECIAN

12' x 24' • 14' x 30' • 16' x 32'
18' x 36' • 20' x 40'

2. OVAL

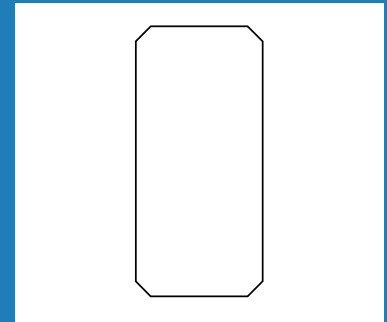
15' x 24' • 15' x 30' • 17' x 32'

3. ROUND

15', 18', 21', 24', 28'

4. MODIFIED RECTANGLE*

12 x 24' • 14 x 30' • 16 x 32'
18 x 36' • 20 x 40'



* Available with Synthetic Wood, CR Coping or HZ Coping only.

THE PERFECT FIT

You can choose the size that fits your Customer's backyard and lifestyle.

SIZES & SHAPES	SQUARE FEET	GALLONS
15' ROUND	165	5,000
18' ROUND	257	7,710
21' ROUND	334	10,020
24' ROUND	459	13,770
28' ROUND	608	18,240
1524 OVAL	296	8,880
1530 OVAL	383	11,490
1732 OVAL	480	14,400
1224 GRECIAN	259	7,720
1430 GRECIAN	362	10,860

1632 GRECIAN	500	15,000
1836 GRECIAN	614	18,300
2040 GRECIAN	793	23,630
916 FITNESS GRECIAN	119	3,570
920 FITNESS GRECIAN	154	4,620
1224 MODIFIED RECTANGLE - w/out stair	315	9,300
1430 MODIFIED RECTANGLE - w/ and w/out stair	453	13,500
1632 MODIFIED RECTANGLE - w/ and w/out stair	548	16,300
1836 MODIFIED RECTANGLE - w/ and w/out stair	689	20,500
2040 MODIFIED RECTANGLE - w/ and w/out stair	846	25,200

* Note: Standard Water Depth in all Ultimate Pools is 4'.

LIMITLESS INSTALLATION POSSIBILITIES



ABOVE
GROUND



SEMI-
INGROUND



INGROUND



PLEASE NOTE: All Ultimate Pools are NON-DIVING pools for Customers' safety.

All Ultimate Pool Kits include:

14 Gauge Galvanized Powder Coated Steel Walls and Buttress Supports (if needed)

Top Rail (with the option of aluminum bendable bullnose or synthetic wood)

Inground Quality Skimmer and Return

Hardware

Drive Stakes

Joint Covers

Sandbar Tile Liner (20 mil side with 16 mil bottom)

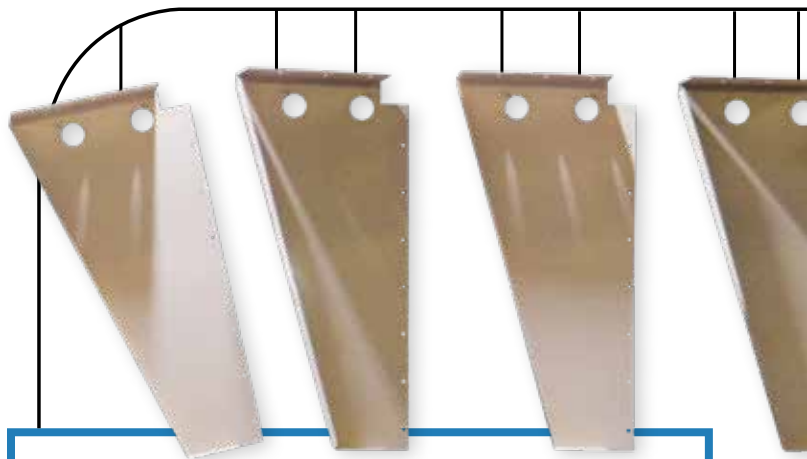
A-Frame Ladder



EPOXY POWDER COATED WALLS & SUPPORTS

for the **ULTIMATE** protection.

Our polyester coated design for the Ultimate Pool walls and buttress supports was established with durability and reliability in mind. Our coating system provides long-lasting protection from corrosion as the thermal bonding process allows material to withstand the elements. Combining this with a concrete bonding ring on **Oval, Grecian, and Modified Rectangle builds** provides lasting strength in any soil. The coating is applied to all Ultimate steel elements for **all installation types – inground, semi-inground, or above ground.**



BENEFITS:

- Resistant to color change
- Contains improved glass retention
- Suitable to withstand most climates
- Highly resistant to scratching, chipping, and fading
- Saves Customers time & money (longevity of product life)
- Eco-Friendly: Powder coating is applied via an electrical charge as opposed to chemical-based adhesion

EVEN MORE BENEFITS TO THE ULTIMATE POOL



CUSTOMIZATION

Customization is the Cardinal way, and it doesn't stop with the Ultimate Pool. With a variety of optional add-on features, your Customers can upgrade their pool to satisfy functional necessities, as well as style preferences and aesthetic.

Some add-on features include: **synthetic wood or aluminum bullnose coping top rails, snap-in covers, thermoplastic steps (Inground installations only), additional liner patterns from the standard offered, lighting, siding kits (Above Ground & Semi-Inground installations only), and more.**



BUILD MORE POOLS

Ultimate Pool Kits come with **all materials and step-by-step instructions** to make the build a breeze. For seasoned pool professionals, Ultimates should take **significantly less time** to complete than a fully custom inground pool build. For new builders or builders in training, this is an ideal build to get them started and gain experience.

**Simple builds + quick turnaround times =
BUILD MORE POOLS in a season!**

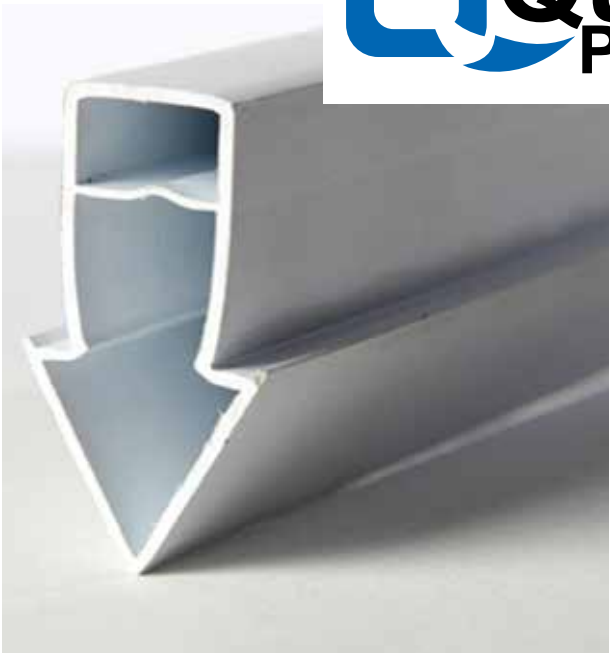
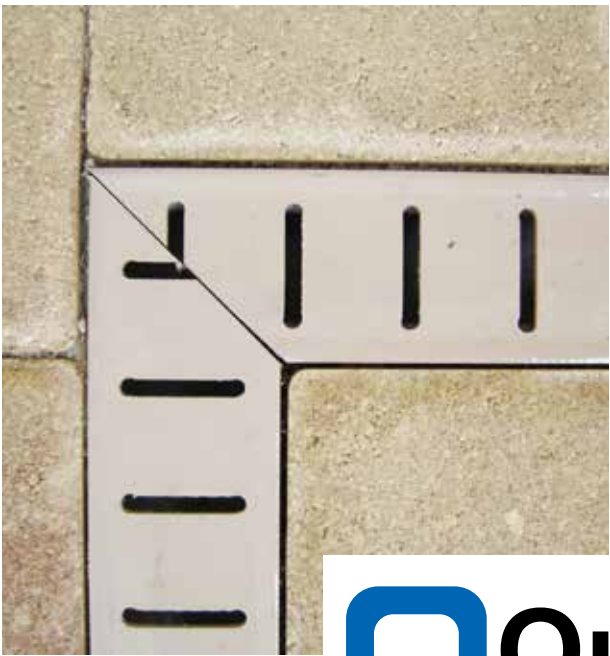
All Ultimates can be ordered as **ONE** part number. This saves **YOU** time and planning, and Builders can rely on a complete kit to arrive at the job site, *every time.*



CONCEPTS IN PLASTICS

Quaker Plastics provides a wide range of products to the swimming pool and construction industries: pool steps, deck and paver drains, liner locks and control joints help to provide a complete offering for backyards and patios. Quaker also produces specialty items for industrial and consumer products.

Our trusted reputation to provide engineering solutions is backed by a proven and high-quality product line produced with our state-of-the-art manufacturing processes.



DECK/PAVER DRAINS

Made of all-weather, rigid PVC and available in several designer colors, our drains can match your landscape needs for color and function. The drains are constructed with a concave top for superior drainage and minimal debris collection. Our design provides for less clogging, and for handling more water volume than comparably sized competitive drains. The deck drains can be mounted flush against the wall, and are ready to install with tops and base assembled, screws, connections, protective tape, and instruction sheet included in the packaging.

CONTROL JOINT/ACCENT STRIP

Control Joint: Our patented Arrowhead™ Control Joint has a unique arrow-shape that presses into concrete with no channels to obstruct installation. The joint locks into concrete, allowing minimal water seepage. Double-layer, peel-off tape protects the top during installation. Available in designer colors to match the latest in decking treatments.

Extension Base: The patented Arrowhead™ Control Joint Extension Base is used when a full expansion, as well as contractual joint, is needed. Simply snap the base to our Arrowhead™ Control Joint to meet this requirement.

Accent Strip: Our trademarked Arrowhead™ Accent Strip is ideal for providing a decorative trim or pattern in poured concrete where an expansion joint is not needed. Double-layer, peel-off tape protects surface during installation. Available in colors to match the latest in decking treatments.

DISCHARGE HOSE

Quaker Plastics boasts the highest-quality vinyl discharge hose in the industry – 20% thicker than competitors. The hose is available in various sizes and lengths for both the pro and the homeowner. Convenient spools are ideal for the trucks of Installers and Service Professionals. Smaller rolls, which include a stainless steel clamp, are shrink-wrapped for best shelf visibility and easier handling.

ACCESSORIES & RENOVATION PRODUCTS

We offer an accessory product line for additional needs specific to the pool industry. In addition, we offer an array of products for repair and up-sell during renovation projects.

COLOR GUIDE

COLOR GUIDE FOR DECK DRAINS AND CONCRETE PRODUCTS



PAVER GRAY

(for paver drain and paver overlay only)



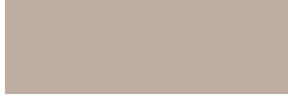
GRAY

(for all stock products except pavers)



WHITE

The color representations have been printed as closely as possible to actual colors, however, product color may vary from photograph.



TAN

THE FOLLOWING QUAKER PRODUCTS ARE AVAILABLE IN THE COLORS TO THE LEFT:

- 3" Water Hog® Deck Drain and Fittings
- 4" Water Hog® Deck Drain and Fittings
- 2" Paver Drain and Fittings
- 1" Paver Overlay
- 2" Square Drain System and Fittings
- Deck Drain-A-Way® and Fittings
- Streamline and Fittings
- Arrowhead™ Control Joint
- Arrowhead™ Accent Strip
- Replacement Caps

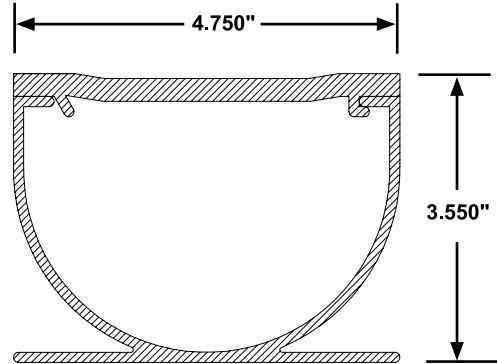


DECK DRAINS

QP-6251: 4" WATER HOG®

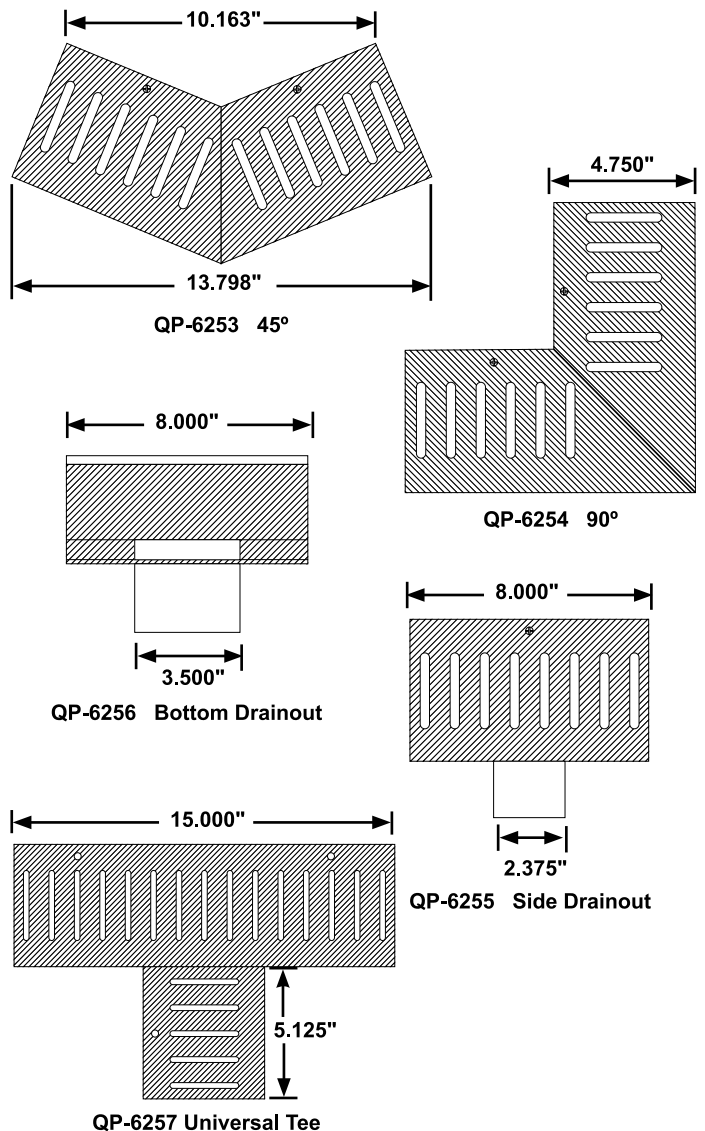


4" DECK DRAIN SYSTEM WITH GRAY BASE



4" WATER HOG® FITTINGS

FITTINGS FOR 4" DECK DRAIN SYSTEM FIT ITEM #: QP-6251 AND QP-6252



4" WATER HOG® MODEL NUMBERS

Available Colors: white, gray, and tan (W,G,T)

ITEM NO.	LENGTH	PACKAGING
QP-6251 (W,G,T)	6 ft.	24 ft./case, four 6-foot pcs.
QP-6252 (W,G,T)	10 ft.	40 ft./case, four 10-foot pcs.

Case includes four connectors, one extra screw packet, protective tape, and one instruction sheet. 6 ft. is able to ship UPS, 10 ft. is not.

4" WATER HOG® FITTINGS

Available Colors: white, gray, and tan (W,G,T)

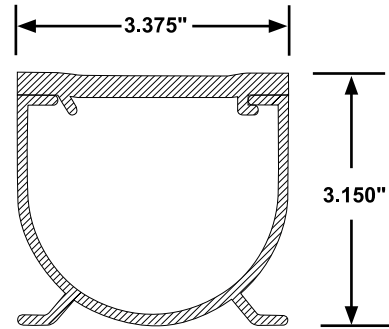
ITEM NO.	STYLE FITTING	PER CASE
QP-6253 (W,G,T)	45°	1
QP-6254 (W,G,T)	90°	1
QP-6255 (W,G,T)	Side Drainout	1
QP-6256 (W,G,T)	Bottom Drainout	1
QP-6257 (W,G,T)	Universal Tee	1
QP-4951 (W,G,T)	4" Drain Tops only, 6' length	8
QP-4973	Connector (gray only)	1
QP-496A	End Plug/End Adapter Kit	1 ea.
QP-496B	End Adapter (gray fitting, white base plate)	1
QP-496C	End Plug (gray fitting, white base plate)	1

DECK DRAINS

QP-6241: 3" WATER HOG®

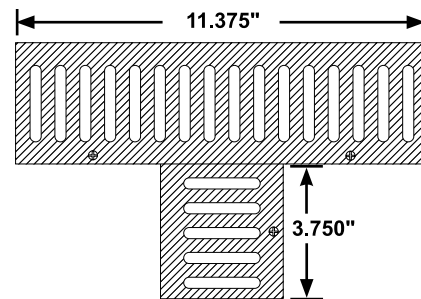
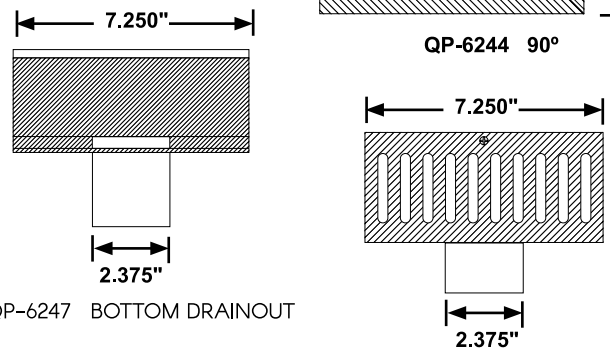
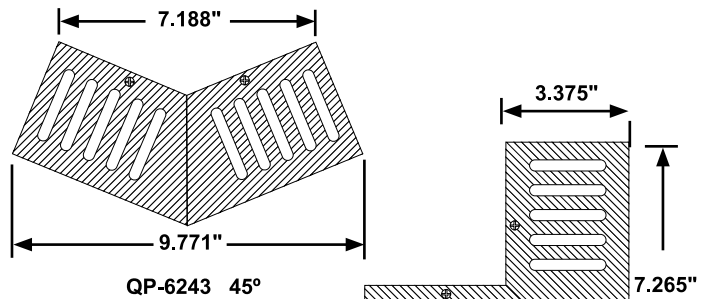


3" DECK DRAIN SYSTEM WITH GRAY BASE



3" WATER HOG® FITTINGS

FITTINGS FOR 3" DECK DRAIN SYSTEM FIT ITEM #: QP-6241 AND QP-6242



QP-6245 UNIVERSAL TEE

3" WATER HOG® MODEL NUMBERS

Available Colors: white, gray, and tan (W,G,T)

ITEM NO.	LENGTH	PACKAGING
QP-6241 (W,G,T)	6 ft.	48 ft./case, eight 6-foot pcs.
QP-6242 (W,G,T)	10 ft.	60 ft./case, six 10-foot pcs.
QP-6241 (W,G,T)-4	6 ft.	24 ft./case, four 6-foot pcs.

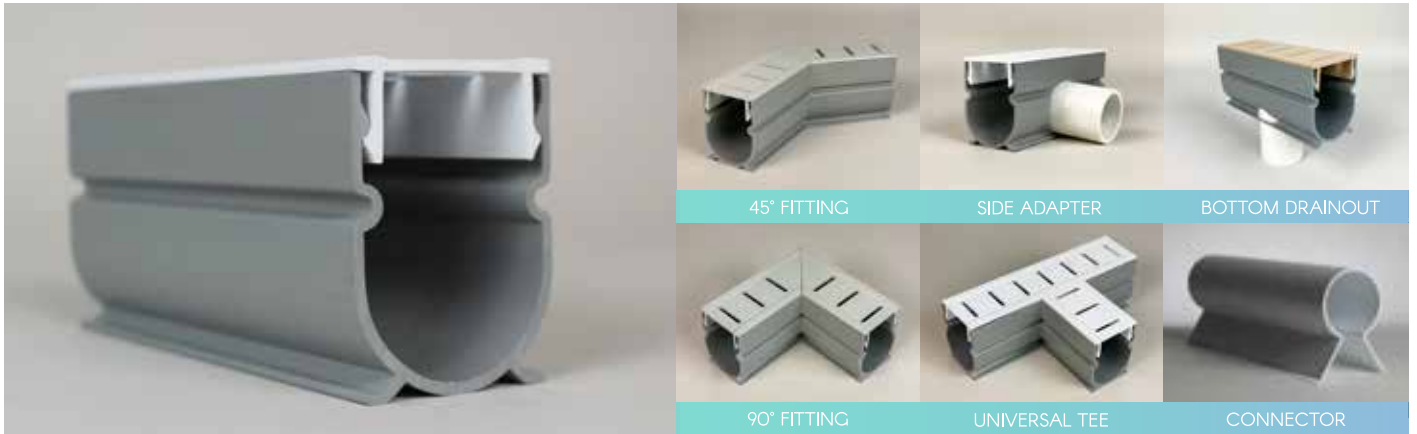
Case includes connectors (8 pcs. in 6-ft. case, 6 pcs. in 10-ft. case), one extra screw packet, protective tape, and one instruction sheet. 6 ft. is able to ship UPS, 10 ft. is not.

3" WATER HOG® FITTINGS

Available Colors: white, gray, and tan (W,G,T)

ITEM NO.	STYLE FITTING	PER CASE
QP-6243 (W,G,T)	45°	2
QP-6244 (W,G,T)	90°	2
QP-6245 (W,G,T)	Universal Tee	2
QP-6247 (W,G,T)	Bottom Drainout	2
QP-6248 (W,G,T)	Side Drainout	2
QP-5701 (W,G,T)	3" Drain Tops only, 6' length	8
QP-5712	Connector (gray only)	1
QP-572A	End Adapter (gray fitting, white base plate)	1
QP-572B	End Plug (gray fitting, white base plate)	1
QP-572C	End Plug/End Adapter Kit	1 ea.

QP-6972: 2" REMOVABLE TOP DECK DRAIN



Not shown: End Cap (QP-5181-1 & 5182-1).

2" REMOVABLE TOP DRAIN MODEL NUMBERS

Available Colors: white, gray, and tan (W,G,T)

ITEM NO.	LENGTH	PACKAGING
QP-6972W	10 ft.	80 ft./case, eight 10-foot pcs.
QP-6972G	10 ft.	80 ft./case, eight 10-foot pcs.
QP-6972T	10 ft.	80 ft./case, eight 10-foot pcs.

Includes four adapters in a box of eight.

BENEFITS OF 2" REMOVABLE TOP DECK DRAIN SYSTEM

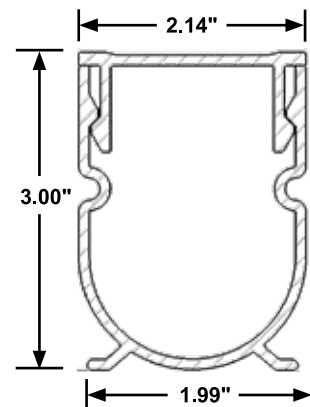
- Heavy wall, bondable, drain system and all components are made from rigid PVC, proven in years of outdoor applications with lasting beauty.
- Adapts to all standard 1½" plastic fittings.
- Joints bond together like PVC pipe, with PVC connectors supplied.
- Removable top for easy clean out.
- Drain offers heavier walls than existing systems, as well as greater rigidity and durability.
- Strong water volume capacity.
- Taped top for extra strength when peeling off after concrete is in place.
- Smooth concave top surface provides better drainage and minimizes collection of dirt and debris.

2" REMOVABLE TOP DRAIN FITTINGS

Available Colors: white, gray, and tan (W,G,T)

ITEM NO.	STYLE FITTING	PER CASE
QP-6973 (W,G,T)	45°	2
QP-6974 (W,G,T)	90°	2
QP-6978 (W,G,T)	Side Adapter	2
QP-6977 (W,G,T)	Bottom Drainout	2
QP-6975 (W,G,T)	Universal Tee	2
QP-6976*	End Cap	4
QP-6979*	End Drain Out	1 pc.
QP-0641	Connectors	1 pc.

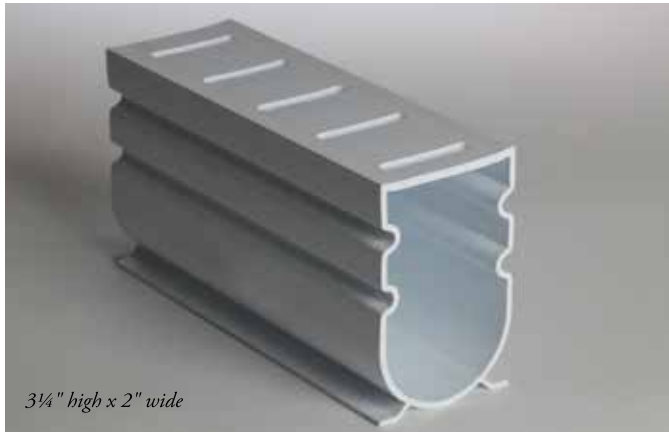
**Available in WHITE ONLY*



DECK DRAINS

QP-5171: 2" SQUARE DRAIN SYSTEM

U.S. Patent No. 6,729,795



Adaptable to standard 1½" fittings and stands on its own feet for easy upright installation.

Not shown: End Cap (QP-5181-1 & 5182-1), and Surface clean-out plug (QP-988-1).

2" SQUARE DRAIN SYSTEM MODEL NUMBERS

Available Colors: white, gray, and tan (W,G,T)

ITEM NO.	LENGTH	PACKAGING
QP-5171 (W,G,T)	10 ft.	80 ft./case, eight 10-foot pcs.
QP-5171 (W,G,T)-2	8 ft.	16 ft./case, two 8-foot pcs.
QP-5171 (W,G,T)-4	8 ft.	32 ft./case, four 8-foot pcs.

Includes eight connectors (QP-5981-1), two surface clean-out plugs (QP-988-1), double-protective tape, and one instruction sheet.

2" SQUARE DRAIN SYSTEM FITTINGS

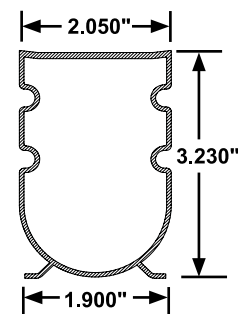
Available Colors: white, gray, and tan (W,G,T)

ITEM NO.	STYLE FITTING	PER CASE
QP-5172 (W,G,T)	45°	8
QP-5173 (W,G,T)	90°	8
QP-5174 (W,G,T)	Side Adapter	4
QP-5175 (W,G,T)	Bottom Drainout	4
QP-5176 (W,G,T)	Universal Tee	4
QP-5181-1*	End Cap, 3/8" length	1 pc.
QP-5182-1*	End Cap, 1" length	1 pc.
QP-988-1*	Surface Clean-out Plugs	1 pc.
QP-5981-1*	Connectors	1 pc.

*Available in WHITE ONLY

BENEFITS OF 2" SQUARE DRAIN SYSTEM

- Heavy wall, bondable, drain system and all components are made from rigid PVC, proven in years of outdoor applications with lasting beauty.
- Adapts to all standard 1½" plastic fittings.
- Joints bond together like PVC pipe, with PVC connectors supplied.
- Clean-outs adapt to 1½" threaded (purchased locally) or connector (supplied) for end clean-outs with either threaded or slip end cap.
- Should a surface clean-out hole be desired, simply drill a 1" hole and snap in our clean-out fitting. To clean, remove plug and flush with hose. There are two supplied in every carton.
- Drain offers heavier walls than existing systems, as well as greater rigidity and durability.
- Strong water volume capacity.
- Taped top for extra strength when peeling off after concrete is in place.
- Smooth concave top surface provides better drainage and minimizes collection of dirt and debris.



DECK DRAINS

QP-3701: DECK DRAIN-A-WAY® SYSTEM II

U.S. Patent No. 4,490,067 Canada Patent No. 1,221,043



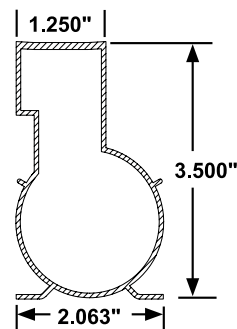
Adaptable to standard 1½” fittings and stands on its own feet for easy upright installation.

DECK DRAIN-A-WAY® SYSTEM II MODEL NUMBERS		
Available Colors: white, gray, and tan (W,G,T)		
ITEM NO.	LENGTH	PACKAGING
QP-3701 (W,G,T)	8 ft.	72 ft./case, nine 8-foot pcs.
QP-3701 (W,G,T) - 2	8 ft.	16 ft./case, two 8-foot pcs.
QP-3701 (W,G,T) - 4	8 ft.	32 ft./case, four 8-foot pcs.
Includes nine connectors (QT-125-1), two surface clean-out plugs (QP-988-1), double-protective tape, and one instruction sheet.		

DECK DRAIN-A-WAY® SYSTEM II FITTINGS		
Available Colors: white, gray, and tan (W,G,T)		
ITEM NO.	STYLE FITTING	PER CASE
QP-3702 (W,G,T)	45° Inside	4
QP-3703 (W,G,T)	45° Outside	4
QP-3704 (W,G,T)	90° Inside	4
QP-3705 (W,G,T)	90° Outside	4
QP-3706 (W,G,T)	Universal Tee	4
QP-3709 (W,G,T)	Bottom Drainout	4
QP-1031-1*	Top End Caps	1 pc.
QP-988-1*	Surface Clean-out Plugs	1 pc.
QT-125-1*	Connectors	1 pc.
*Available in WHITE ONLY		

BENEFITS OF DECK DRAIN-A-WAY® SYSTEM II

- Heavy wall, bondable, drain system and all components are made from rigid PVC, proven in years of outdoor applications with lasting beauty.
- Adapts to all standard 1½” plastic fittings.
- Joints bond together like PVC pipe, with PVC connectors supplied.
- Clean-outs adapt to 1½” threaded (purchased locally) or connector (supplied) for end clean-outs with either threaded or slip end cap.
- Should a surface clean-out hole be desired, simply drill a 1” hole and snap in our clean-out fitting. To clean, remove plug and flush with hose. There are two supplied in every carton.
- Drain offers heavier walls than existing systems, as well as greater rigidity and durability.
- Strong water volume capacity.
- Taped top for extra strength when peeling off after concrete is in place.
- Smooth concave top surface provides better drainage and minimizes collection of dirt and debris.



DECK DRAINS

QP-6401: 2" PAVER DRAIN



PAVER DRAIN MODEL NUMBERS

Available Colors: white, gray, and tan (W,G,T)

ITEM NO.	LENGTH	PACKAGING
QP-6401 (W,G,T)	10 ft.	80 ft./case, eight 10-foot pcs.
QP-6401 (W,G,T) - 2	8 ft.	16 ft./case, two 8-foot pcs.
QP-6401 (W,G,T) - 4	8 ft.	32 ft./case, four 8-foot pcs.

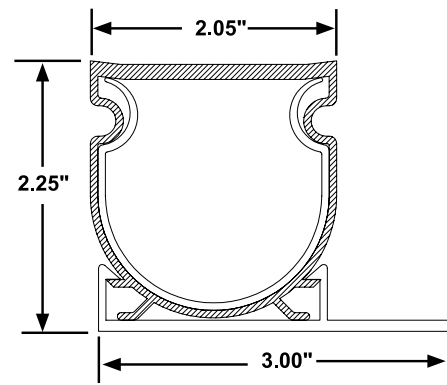
Includes eight connectors (QP-6411-1 or QP-6413-1), 48 securing clips (QP-1003), double-protective tape, and instruction sheet.

PAVER DRAIN FITTINGS

Available Colors: white, gray, and tan (W,G,T)

ITEM NO.	STYLE FITTING	PER CASE
QP-6402 (W,G,T)	45°	10
QP-6403 (W,G,T)	90°	10
QP-6404 (W,G,T)	Bottom Drainout	4
QP-6405	End Plug (white only)	4
QP-6406 (W,G,T)	Tee Fitting	4
QP-1003	Securing Clips (white only)	48
QP-6411-1	Connector (gray)	1 pc.
QP-6413-1	Connector (white)	1 pc.
QP-5183-1	End Cap (white only)	1 pc.
QP-988-1	Clean Out Plug (white only)	1 pc.

- 2 $\frac{3}{8}$ " Paver Height - designed for standard pavers.
- Tan, gray and white - three designer colors to match the latest paver styles.
- Securing clips - packaged complete with 48 clips for locking underneath pavers. Alternate side-to-side or all on one side to fit flush with walls.
- Concave top - ensures superior drainage, minimizes debris collection.
- Ready to install - includes eight connectors, securing clips (six per 10' length), protective tape, and instruction sheet.
- Adapts to all standard 1 $\frac{1}{2}$ " plastic fittings.



BOTTOM WIDTH INCLUDES SECURING CLIP.
ALL DIMENSIONS ARE NOMINAL.

QP-7201: STREAMLINE | LOW PROFILE DRAIN

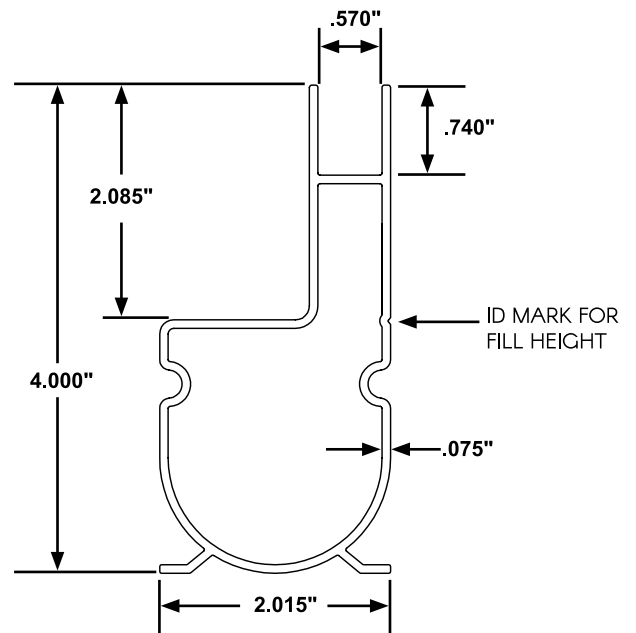


STREAMLINE MODEL NUMBERS		
<i>Available Colors: white, gray, and tan (W,G,T)</i>		
ITEM NO.	LENGTH	PACKAGING
QP-7201 (W,G,T)	8 ft.	48 ft./case, six 8-foot pcs.
QP-7201 (W,G,T) - 2	8 ft.	16 ft./case, two 8-foot pcs.
QP-7201 (W,G,T) - 4	8 ft.	32 ft./case, four 8-foot pcs.
<i>Case includes 6 connectors and instruction sheet.</i>		

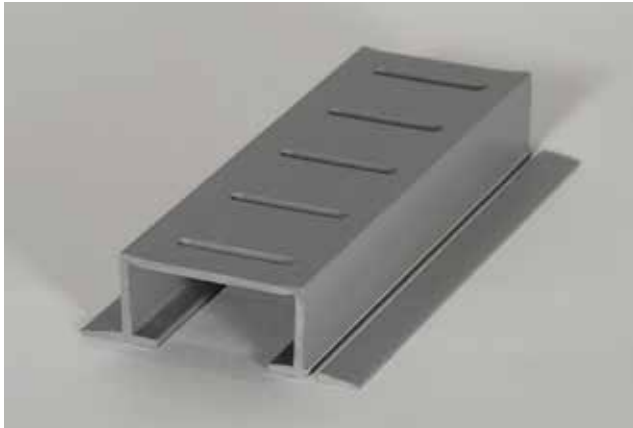
STREAMLINE FITTINGS		
<i>Available Colors: white, gray, and tan (W,G,T)</i>		
ITEM NO.	STYLE FITTING	PER CASE
QP-7202 (W,G,T)	45° Inside Corner	2
QP-7203 (W,G,T)	45° Outside Corner	2
QP-7204 (W,G,T)	90° Inside Corner	2
QP-7205 (W,G,T)	90° Outside Corner	2
QP-7206 (W,G,T)	Bottom Drainout	2
QP-7207	End Cap - (1 left, 1 right)	2
QP-6413-1	Connector (white)	1

Streamline is the unique drain from Quaker Plastics. With its slim opening, Streamline blends seamlessly into the most elegant patio or deck.

- Visible entry channel only 1/2" wide.
- Recyclable, protective, removable filler strip for installation, no tape/no residue.
- Designed for pavers and concrete decks.
- Available in white, gray, and tan.
- Adapts to all standard 1 1/2" plastic fittings.



QP-6611: 1" PAVER OVERLAY

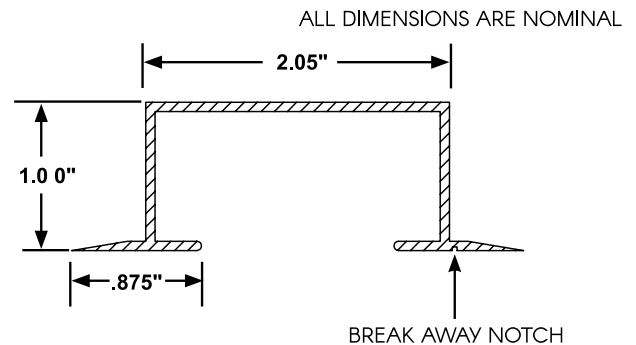


The 1" Paver Overlay is perfect for renovation.

1" PAVER OVERLAY MODEL NUMBERS Available Colors: white, gray, and tan (W,G,T)

ITEM NO.	LENGTH	PACKAGING
QP-6611W (white)	5 ft.	100 ft./case, twenty 5-foot pcs.
QP-6611G (gray)	5 ft.	100 ft./case, twenty 5-foot pcs.
QP-6611T (tan)	5 ft.	100 ft./case, twenty 5-foot pcs.

Includes Double-protective tape and one instruction sheet.



One-inch Paver Overlay is perfect for renovating an old, damaged deck. The overlay is easily installed on top of the old drain between the new surface paver stones, blending seamlessly with your landscape projects. Considerable expense is avoided in digging up old drain and replacing with a new system. Simpler and less time-consuming than replacement caps.

- Twenty (20) 5-foot lengths (100 ft./case).
- One side of overlay is notched for easy break-a-way for use against flat surfaces.
- Available in white, gray, and tan.
- UPS able carton.

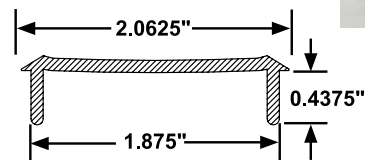
QP-595: REPLACEMENT CAP FOR QUAKER DECK DRAIN

REPLACEMENT CAP FOR QUAKER DECK DRAIN MODEL NUMBERS

Available Colors: white, gray, and tan (W,G,T)

ITEM NO.	LENGTH	PACKAGING
QP-595 (W,G,T)	5 ft.	100 ft./case, twenty 5-foot pcs.

Ideal to repair common 2" drain systems. Fits Quaker's 2" Square Drain (QP-5171). Simply saw out damaged area, insert replacement drain top, and bond it in place.



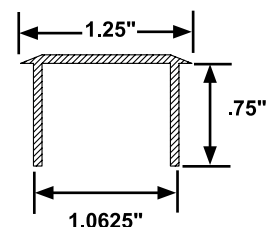
QP-2551: REPLACEMENT CAP FOR COMMON DECK DRAIN

REPLACEMENT CAP FOR COMMON DECK DRAIN MODEL NUMBER

Available Colors: white, gray, and tan (W,G,T)

ITEM NO.	LENGTH	PACKAGING
QP-2551 (W,G,T)	4 ft.	96 ft./case, twenty four 4-foot pcs.

Ideal to repair commonly used drain systems. Fits Quaker's Deck Drain-A-Way® (QP-3701). Simply saw out damaged area and insert Quaker's replacement drain top and bond it in place.



QP-781: ARROWHEAD™ CONTROL JOINT

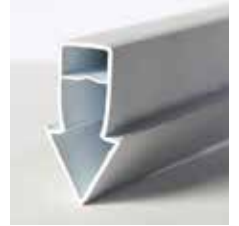
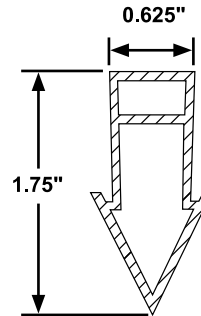
U.S. Patent No. 4,548,009

ARROWHEAD™ CONTROL JOINT MODEL NUMBERS

Available Colors: white, gray, and tan (W,G,T)

ITEM NO.	LENGTH	PACKAGING
QP-781 (W,G,T)	12 ft.	240 ft./case, twenty 12-foot pcs.

Unique arrow-shape presses easily into concrete - no channels to obstruct installation. Locks into concrete with minimum water seepage. A layer of peel off tape protects the top during installation.



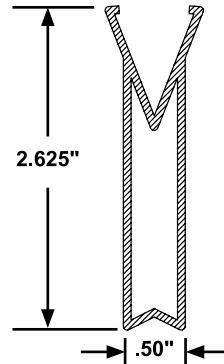
QP-971: ARROWHEAD™ CONTROL JOINT EXTENSION BASE

ARROWHEAD™ CONTROL JOINT EXTENSION BASE MODEL NUMBERS

Available in White Only

ITEM NO.	LENGTH	PACKAGING
QP-971	12 ft.	192 ft./case, sixteen 12-foot pcs.

Used when a full expansion, as well as contractual joint, is needed. Simply snap the control joint (QP-781) and base together to meet this requirement.



QP-2571WI: ARROWHEAD™ ACCENT STRIP

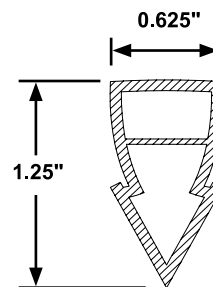
U.S. Patent No. 4,548,009

ARROWHEAD™ ACCENT STRIP MODEL NUMBERS

Available Colors: white, gray, and tan (W,G,T)

ITEM NO.	LENGTH	PACKAGING
QP-2571W1 (W,G,T)	12 ft.	240 ft./case, twenty 12-foot pcs.

Use Accent Strip where true expansion joint is not required to provide a decorative trim or pattern in poured concrete. A layer of peel off tape protects the top during installation.



DISCHARGE HOSE AND LINER LOCKS

QT-131, 132, 133, 261, 262: HEAVY DUTY DISCHARGE HOSE

HEAVY DUTY DISCHARGE HOSE MODEL NUMBERS		
ITEM NO.	LENGTH	ROLLS PER CASE
QT-131*	1½" x 25' with clamp	6
QT-132*	1½" x 50' with clamp	6
QT-133	1½" x 200' without clamp	1
QT-261	2" x 200' without clamp	1
QT-262*	2" x 50' with clamp	5

* Available in shrink-wrap packaging.

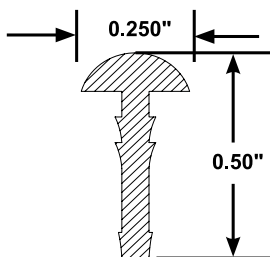


- Highest quality vinyl discharge hose, 20% thicker than the competition.
- Most popular sizes are shrink-wrapped in retail-friendly packaging for best shelf visibility and easier handling.
- Stainless steel clamp included with retail-size rolls.
- Color-coded for easy identification and convenient inventoring.
- Highest quality made in America.

LINER BEAD WEDGE LOCK

LINER BEAD WEDGE LOCK MODEL NUMBERS			
ITEM NO.	LENGTH	COLOR	PACKAGING
QP-1561	1500 ft.	White	1 spool
QP-1562	120 ft. per bag	White	12 bags per box
QP-1564	120 ft. per bag	Blue	12 bags per box
QP-1566	120 ft. per bag	Black	12 bags per box
QP-1568	120 ft. per bag	Gray	12 bags per box

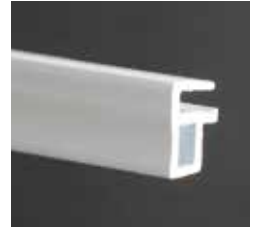
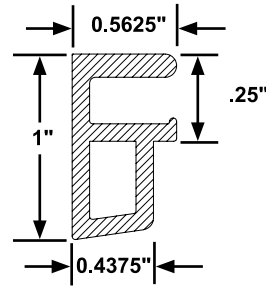
High-quality flexible vinyl designed as a wedge (or shim) to secure liner bead to coping track. Available in white, blue, black, and gray.



QP-521: SIDE MOUNT LINER TRACK

SIDE MOUNT LINER TRACK MODEL NUMBER		
ITEM NO.	LENGTH	PACKAGING
QP-521	8 ft.	400 ft./case, fifty 8-foot pcs.

Mounts on the side of pool walls to hold liner securely. Ideal for pools in which coping cannot be easily removed or for installing liners in concrete pools. White PVC.

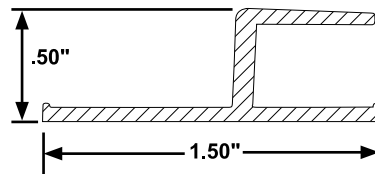


ALL DIMENSIONS ARE NOMINAL

QP-531: TOP MOUNT LINER TRACK

TOP MOUNT LINER TRACK MODEL NUMBER		
ITEM NO.	LENGTH	PACKAGING
QP-531	8 ft.	512 ft./case, sixty four 8-foot pcs.

Ideal for new pools or installing a liner in a pool with easily removable coping or with broken coping. Install Top Mount Liner Track on top of the pool wall to hold liner securely. White PVC.

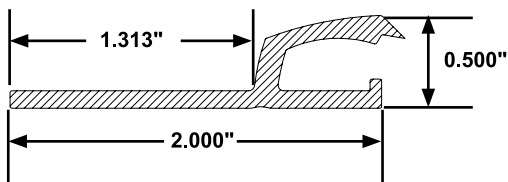


ALL DIMENSIONS ARE NOMINAL

QP-2022: TOP MOUNT RADIUS CUT LINER TRACK

TOP MOUNT LINER TRACK MODEL NUMBER		
ITEM NO.	LENGTH	PACKAGING
QP-2022	8 ft.	208 ft./case, twenty six 8-foot pcs.

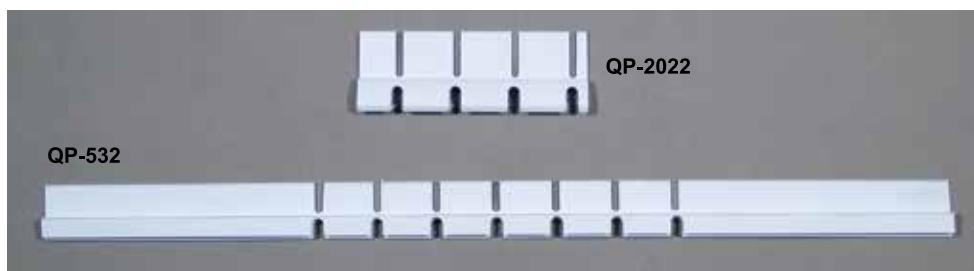
For use in free-form vinyl liner pools. Conforms to pool radius. White PVC.



QP-532: 6" RADIUS CORNER FOR TOP MOUNT LINER TRACK

TOP MOUNT LINER TRACK MODEL NUMBERS		
ITEM NO.	LENGTH	PACKAGING
QP-532	24 in.	set of four 24 in. pcs.

Perfectly matches Top Mount Liner Track (QP-531). These pre-notched corner lengths are easily shaped by hand to form any corner up to a 6" radius. White PVC.

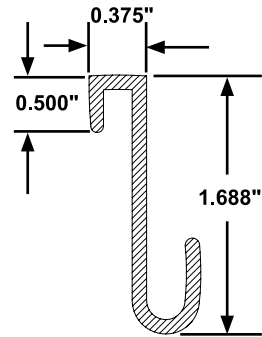


LINER HANGERS

QP-2581: ABOVE GROUND POOL REPLACEMENT LINER HANGER

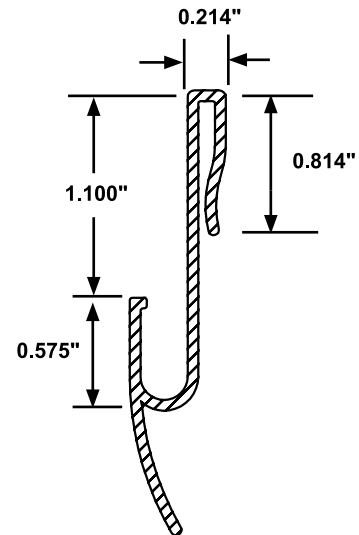
ABOVE GROUND POOL REPLACEMENT LINER HANGER		
ITEM NO.	LENGTH	PACKAGING
QP-2581	56 in.	266 ft./case, fifty seven 56 in. pcs.

Hanger fits on top of pool walls to provide a liner bead receiver. Liners fit better with fewer or no wrinkles, conforms to pool interior. Easy to change liners, no need to disassemble pool. White PVC.



QP-7141: DELUXE ABOVE GROUND POOL REPLACEMENT LINER HANGER

DELUXE ABOVE GROUND POOL REPLACEMENT LINER HANGER		
ITEM NO.	LENGTH	PACKAGING
QP-7141	56.5 in.	188 ft./case, forty 56.6\" in. pcs.



QP-2681: CERAMIC TILE HOLDER FOR NEW POOLS

CERAMIC TILE HOLDER MODEL NUMBER		
ITEM NO.	LENGTH	PACKAGING
QP-2681	6 ft.	120 ft./case, twenty 6-foot pcs.

You can create the elegant look of a higher cost pool just by adding real tile to an ordinary vinyl liner pool built with Quaker's patented tile/coping system. Practical, as well as stylish, real tile protects the vinyl from ultraviolet deterioration that is so common in the Sunbelt.

This unique system has been tested for over thirty years on hundreds of pools and has withstood the harsh winters of the Northeast with amazing durability. Frost proof tiles are available from local tile distributors. Accommodates a 6" x 6" tile. White PVC.



QP-3162: SIGN HOLDER WITH "NO DIVING" SIGNAGE

SIGN HOLDER WITH "NO DIVING" SIGN MODEL NUMBER		
ITEM NO.	LENGTH	PACKAGING
QP-3162	3½" h x 16¾"w	200 sign holders with sign affixed per case
QP-3162-1	3½" h x 16¾"w	Single Piece



The white plastic sign holder is ideal to display "No Diving" signs in new or existing vinyl liner pools. Patented lock-in edge snaps in above the existing liner bead.

The Sign Holder can be easily inserted around the pool as recommended by pool manufacturers. Here's a simple, clean, effective, and low cost way to equip all pools with important safety signage.

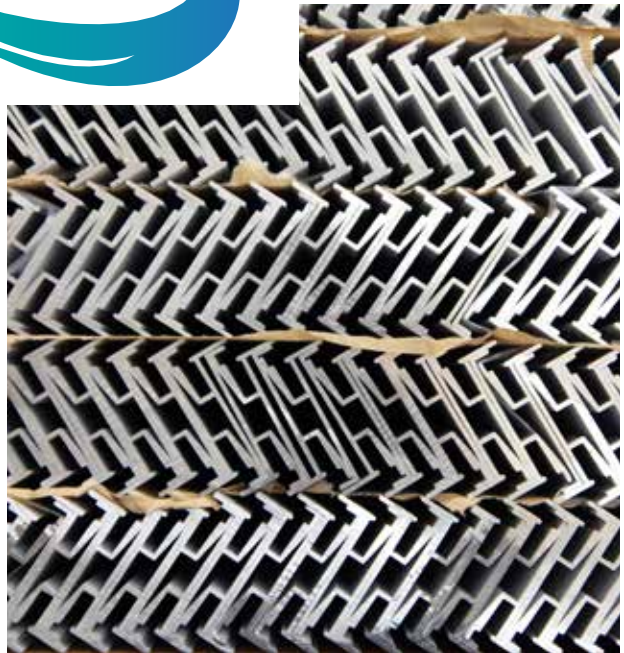
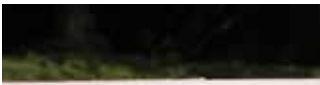
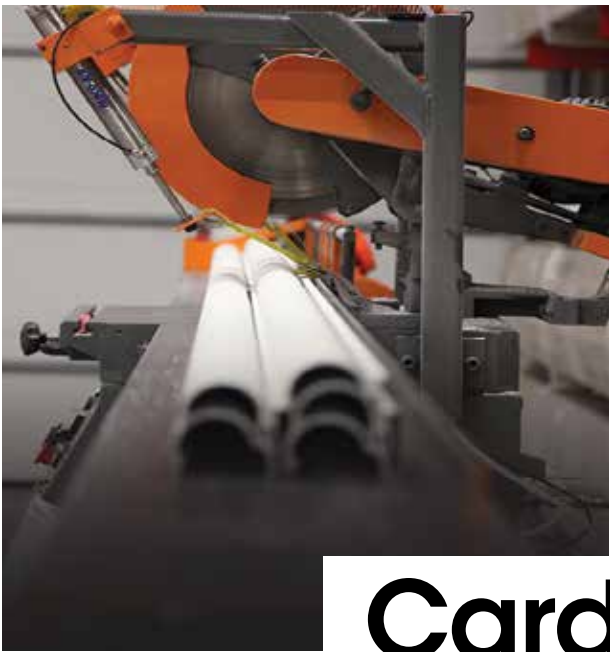




COPING & LINER TRACK

Cardinal uses only the finest quality materials for all its manufacturing, and coping is no exception. Our aluminum coping starts with a 6063 alloy aluminum, which is extruded, then electrostatically-coated with a paint finish that is baked on. Our white, gray, and tan painted aluminum finish is:

- Pretreated with a non-chrome zinc base
- Electrostatic-applied wet polyester paint
- Cured at 350 degrees in aging oven



FABRICATION METHODS

Cut and Weld

Cutting and welding is used to make angled transitions and odd corners that are unable to be bent. A non-bendable coping profile can be cut and welded in segments to create different radii.

Custom Fabrication and Coping Profiles

Cardinal is able to fabricate coping to meet almost any need, from free-form pools to odd plastic step kits to milling for water features. Cardinal has created many proprietary extrusions for customers. If you have a requirement for a custom or proprietary extrusion, please contact our Customer Service Department at 570-385-4733 or via email at customerservice@cardinalsystemsinc.com. We will be happy to discuss a solution for your requirements.

Please Note: If Cardinal coping or liner track is used in conjunction with a salt generator, all warranties from the extruder will be null and void. Cardinal Systems will not be liable for salt generator damage.

COPING INSTALLATION TIPS

Coping Installation

Coping profiles are attached to steel and polymer walls using self-tapping tek screws. Cardinal recommends placing these at intervals no greater than every 18".

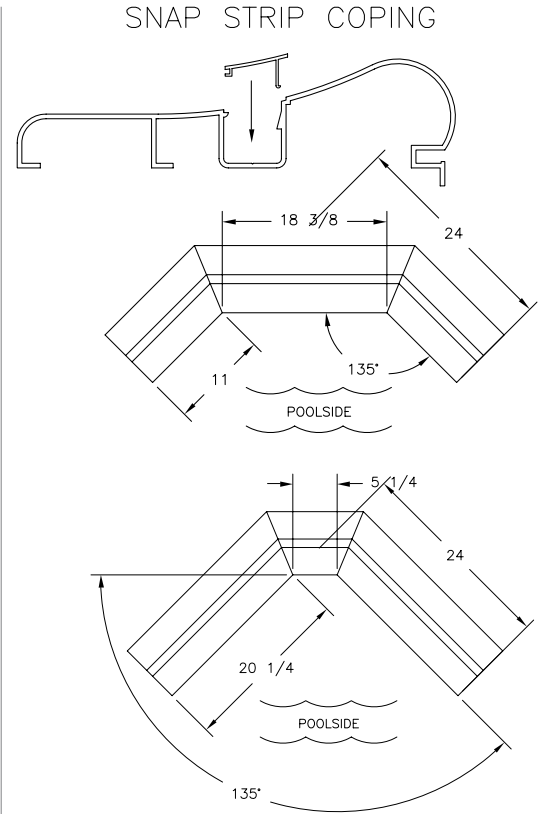
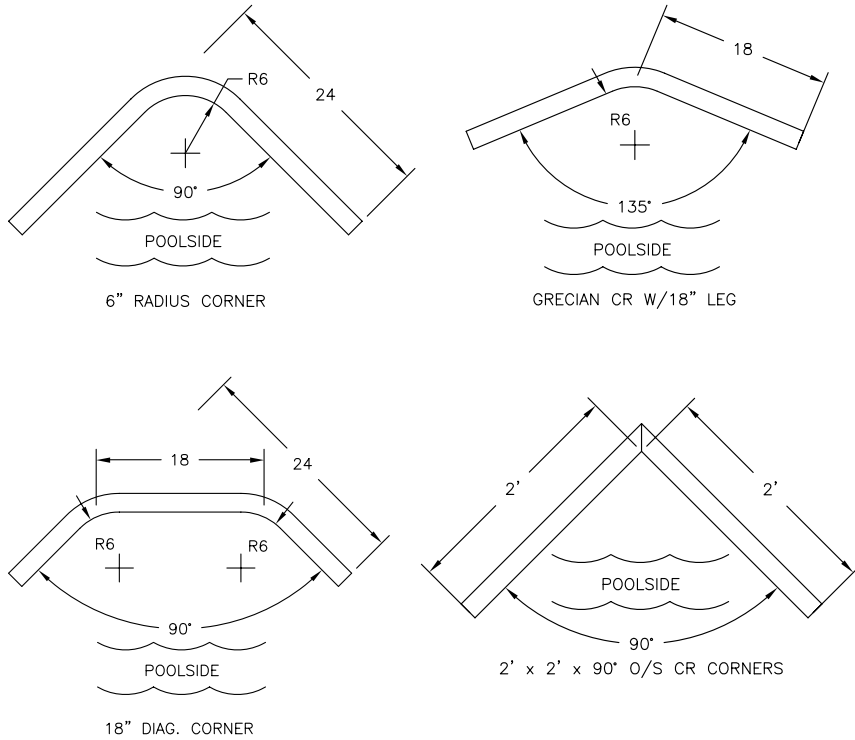
When coping is made for a pool, typically there will be some extra length that will need to be trimmed in the field. This is the best way to ensure a proper fit for each job. Though a hack saw will cut through most aluminum extrusions, Cardinal recommends using a miter saw, outfitted with an aluminum cutting blade for the most professional results. Coping profiles that form the finished edge of the pool, such as bullnose coping, will require coping clips to cover the joint between each piece of coping.

Bonding

Because Cardinal's coping is made from aluminum, it will need to be properly bonded. Follow your federal, state, and local electrical codes to be sure that coping is properly bonded.

COPING CORNER LENGTHS INSTALLATION

Shown below are corner lengths and dimensions.



COLOR GUIDE



NON-SKID WHITE



NON-SKID GRAY

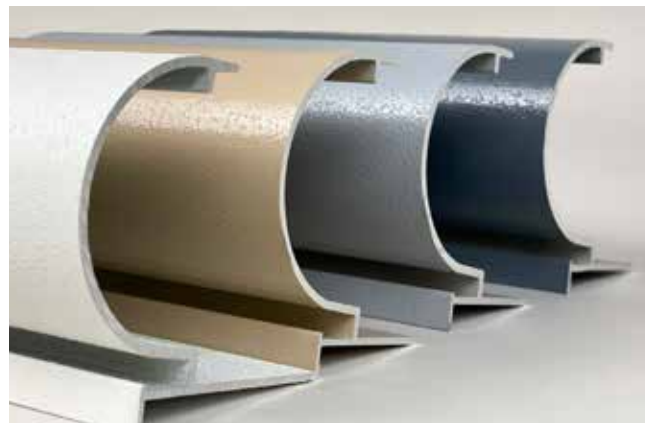


NON-SKID TAN



NON-SKID DARK GRAY

The color representations have been printed as closely as possible to actual colors, however, product color may vary from photograph.



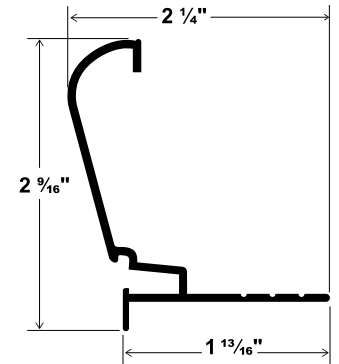
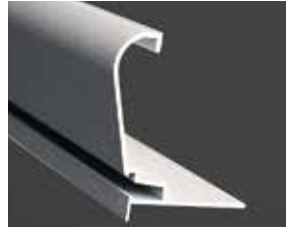
BULLNOSE COPING

PC

PC BULLNOSE COPING	
ITEM NO.	COLOR
PCW	Non-skid white
PCG	Non-skid gray

The PC has a flat bullnose profile and is similar to Pacific style coping.

Straights: 8' and 12' Lengths
Radius: 4', 6', and 8' Lengths

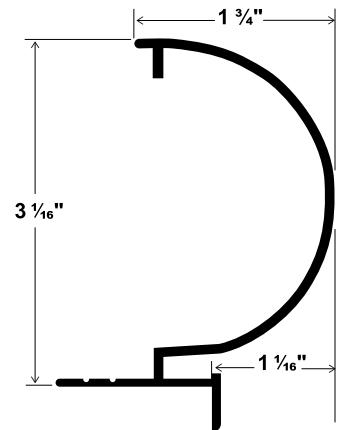
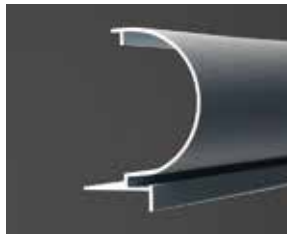


CB

CB BULLNOSE COPING	
ITEM NO.	COLOR
CBW	Non-skid white

The CB coping has 3" profile and is similar in height to the original Helder style coping.

Straights: 8' and 12' Lengths
Radius: 4', 6', and 8' Lengths



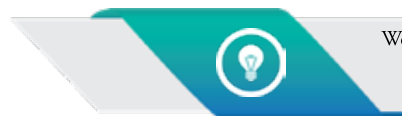
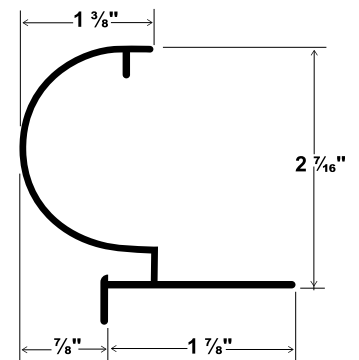
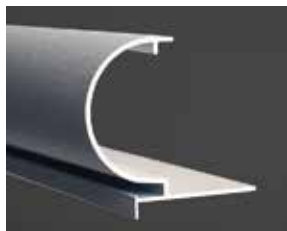
CR

This coping is also referred as "CP2".

CR BULLNOSE COPING	
ITEM NO.	COLOR
CRW	Non-skid white
CRG	Non-skid gray
CRT	Non-skid tan
CRDG	Non-skid dark gray

The CR is designed with a longer lip on the straight pieces, allowing the builder to place TEK screws farther from the liner track.

CRW - Straights: 8' and 12' Lengths
CRG, CRT & CRDG - Straights: 8' Length
All Radius: 4', 6', and 8' Lengths



We recommend using a bead roller to help lock liner bead into the liner receiver on all our liner tracks and coping.

BULLNOSE COPING

CAP LOCK COPING

CP/C4

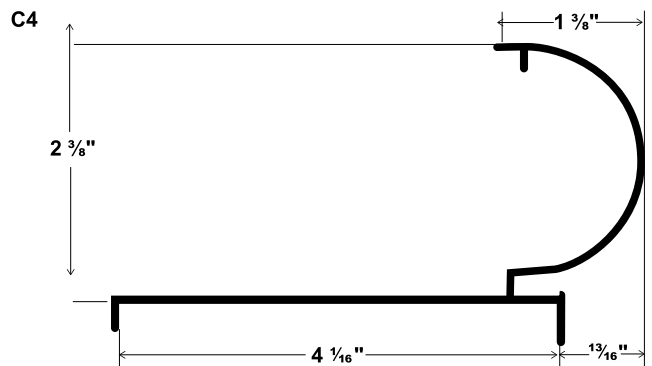
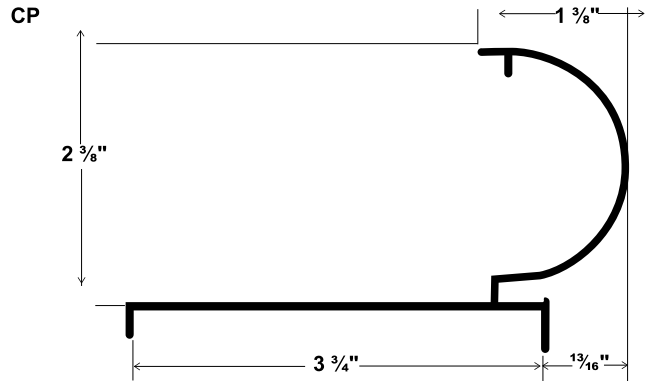
CP/C4 BULLNOSE COPING	
ITEM NO.	COLOR
CPW	Non-skid white
C4W	Non-skid white



The CP fits 3 3/4" flange polymer panels. The C4 fits 4" flange polymer panels. CPW is for Polymer Wall pools.

CPW - Straights: 8' and 12' Lengths

C4W - Straights: 12' Lengths



CP and C4 may be combined with the CR coping profiles to build corners and radius curves.



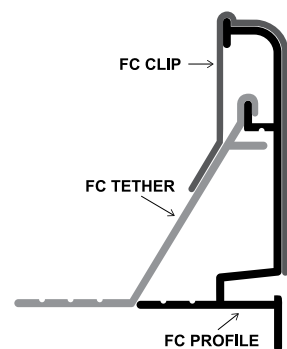
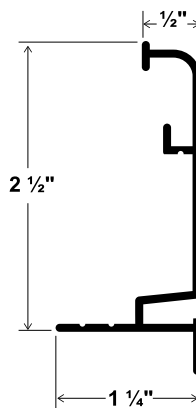
FC

FC BULLNOSE COPING	
ITEM NO.	COLOR
FCW	Non-skid white
FCG	Non-skid gray



The FC is the only Bullnose Coping that can be bent in the field. This will allow for less SKUs and is available in notched. Clips and tethers support brace are sold separately.

8' Lengths



*Tethers are recommended every 2' and at joints.

Flex coping is not recommended for corners 2' rad or smaller.



TOP MOUNT

All liner track is made from heavy-duty, aluminum extrusion that is electrostatically coated.

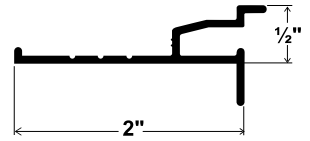
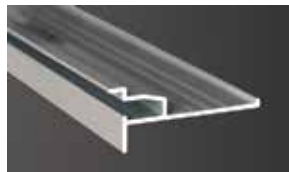
Custom Fabrication: Can be bent to fit any shape, including standard 6", 2', or 4' radius, Grecian corners, and steps. Ask about fabrication for other corner shapes.

Available in 8 ft. lengths only.

15 or 25 per case.

T2

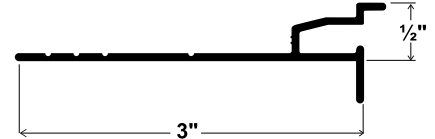
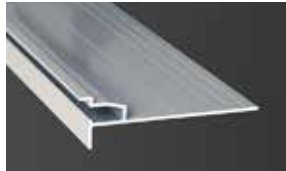
T2 TOP MOUNT TRACK	
ITEM NO.	COLOR
T2W	white
T2G	gray



2" Top Mount Track is used for steel, polymer and concrete wall pools. The T2 is available in notched or straight lengths.

T3

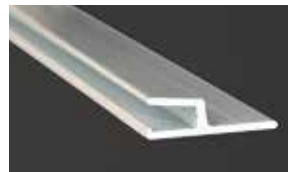
T3 TOP MOUNT TRACK	
ITEM NO.	COLOR
T3W	white



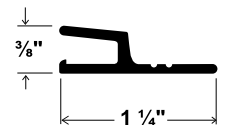
3" Top Mount Track is used for steel, polymer and concrete wall pools. The T3 is available in notched or straight lengths.

HZ

HZ TOP MOUNT TRACK	
ITEM NO.	COLOR
HZW	white
HZG	gray



• HZ TRACK IS THE ONLY TRACK TO USE WITH CARDINAL Z-POOLFORM!



HZ Top Mount Track is used for steel and polymer wall pools. The HZ is available in notched or rollbent.



All of our liner tracks are available in standard and custom notched lengths for free-form pools and radius corners.

LINER TRACK

SIDE MOUNT

All liner track is made from heavy-duty, aluminum extrusion that is electrostatically coated. Angled side mount track for reducing gap under old coping. Available in **WHITE** only.

Available in 8 ft. lengths only.

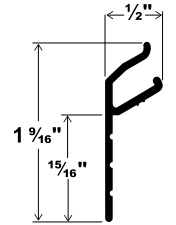
15 or 25 per case.

AS

AS SIDE MOUNT TRACK	
ITEM NO.	COLOR
ASW	white

The AS is available in 8' straight, 8' notched and 6" radius notched lengths. White only. The AS is designed to fit snugly under old pool coping, eliminating the gap other side mount tracks leave between coping and receiver track.

1. Turned-up lip reduces gap opening under old coping.
2. Includes nail and screw guides.
3. Angled receiver secures liner bead to prevent slipping.
4. Longer length allows more area to attach to wall.



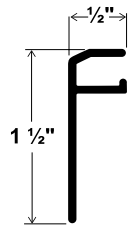
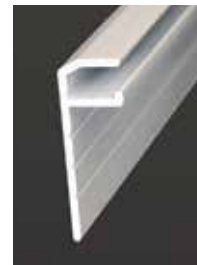
SM

SM SIDE MOUNT TRACK	
ITEM NO.	COLOR
SMW	white

The SM is available in 8' straight, 8' notched and 6" radius notched lengths. White only. For radius and free-form pools, use SM, a notched track that can be bent to conform to almost any radius.

This side mount track has these improved features:

1. Receiver area shortened 1/8" to bring liner closer to pool wall.
2. More screw guides to keep self-drilling screws from wandering when drilling through mounting flange to pool wall.
3. Longer mounting flange for easier attachment to different types of pool wall.

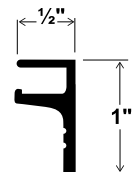


VT

SM SIDE MOUNT TRACK	
ITEM NO.	COLOR
VTW	white

The VT is available in white only. It can be bent to fit any shape, including standard 6", 2' or 4' radius and Grecian corners as well as steps.

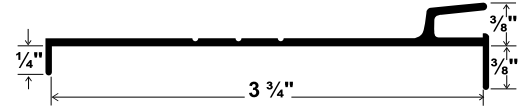
The VT can be roll-bent at the factory for almost any shape free-form pool. This profile can also be bent on-site without being notched to fit most radii, down to 2' radius.



CAP LOCK

HC

HC CAP LOCK	
ITEM NO.	COLOR
HCW	white

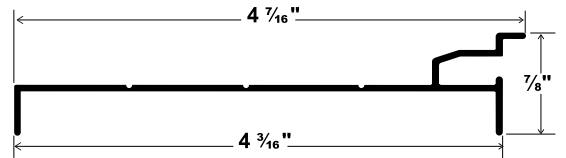


The HC is available in white only and comes in 8' straight lengths in counts of 15 pieces per box. The HZ series can be used with the HC to make corners. HC Cap Lock Liner Track is used for polymer wall pools.

1. Liner bead receiver specially designed to ensure positive lock-in.
2. Screw Guides.
3. Designed to fit any pool with a 3 3/4" wide top flange.
4. Holds polymer pool walls straight.
5. Front and rear flanges to lock on pool wall.

T4

T4 CAP LOCK	
ITEM NO.	COLOR
T4W	white



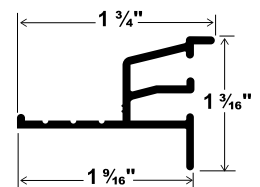
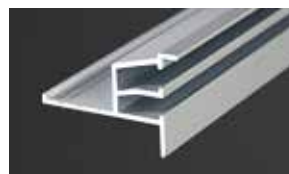
The T4 is available in white only and comes in 12' straight lengths in counts of ten pieces per box. The T2 notched can be used with the T4 to make corners. T4 Cap Lock Liner Track is used for polymer wall pools.

1. Liner bead receiver specially designed to ensure positive lock-in.
2. Screw Guides.
3. Designed to fit any pool with a 4" wide top flange.
4. Holds polymer pool walls straight.
5. Front and rear flanges to lock on pool wall.

DOUBLE TRACK

DT

DT DOUBLE TRACK	
ITEM NO.	COLOR
DTW	white
DTG	gray



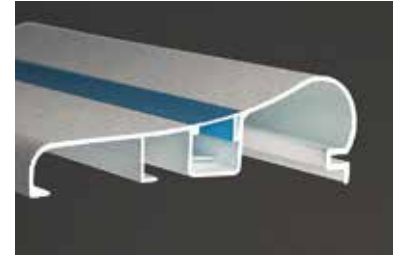
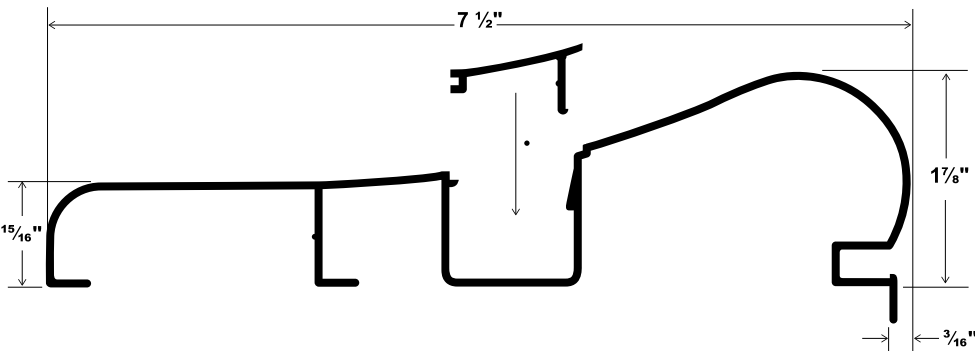
The DT is available in white or gray and comes in 8' straight or notched lengths in counts of 15 pieces per box.

SNAP STRIP COPING

SS

SNAP STRIP COPING	
ITEM NO.	COLOR
SSW	Non-skid white/white inserts
SSB	Non-skid white/blue inserts

The SS comes in 12' and 16' straight lengths in counts of 1 or 2 pieces. The SS comes in standard configurations for most rectangular pools including an 18" diagonal, 6" radius, 90°, and 135° Grecian corners. Other sizes can be cut and welded to fit many curves, including reverse 6" radius, 270°, 4' corners, and full radius ends for oval pools. The SS (Snap Strip Copping) is an ideal coping for pool renovations.



Shown with blue insert



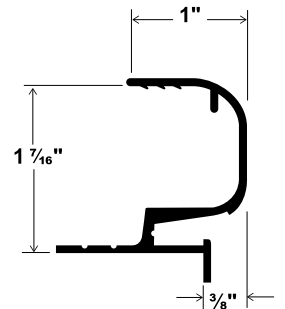
Shown with white insert

WOOD RECEIVER COPING

CG

CG WOOD RECEIVER COPING	
ITEM NO.	COLOR
CGW	Non-skid white

The CG comes in 12' straight lengths in counts of 6 pieces. The CG is designed to receive standard 1 1/4" (5/4" board) decking and is popular for on-ground pools or pools surrounded by wooden decks. Cut and welded corners only.



Lengths can be cut for UPS shipping.

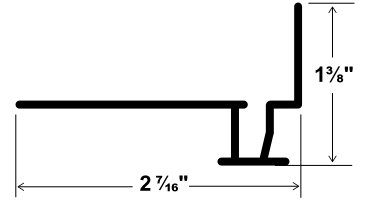


CONCRETE LINER TRACK

CC

CC LINER TRACK	
ITEM NO.	COLOR
CCW	white

The CC is available in white only and comes in 8' straight lengths, 15 pieces per case. Used for concrete step applications.

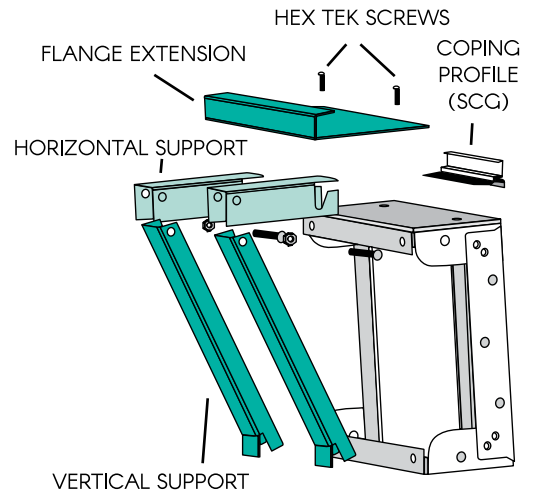


SPECIALTY PROFILES

STONE COPING SUPPORT SYSTEM

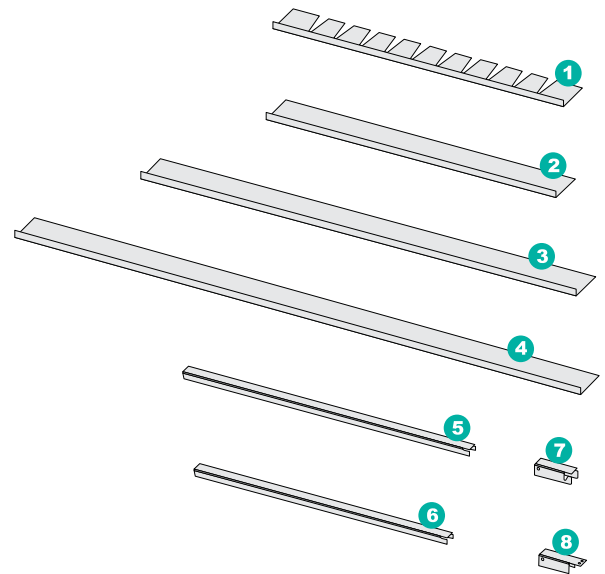
* not recommended for Polymer Pools

STONE COPING SUPPORT SYSTEM COMPONENTS		
ITEM NO.	PART NUMBER	DESCRIPTION
1	CS748EXR	4' Radius Coping Support Shelf
2	CS748EX	4' Straight Coping Support Shelf
3	CS772EX	6' Straight Coping Support Shelf
4	CS796EX	8' Straight Coping Support Shelf
5	CS748CL	Vertical Coping Support - 48" high
6	CS710CL	Vertical Coping Support - 42" high
7	CS710CS	Horizontal Coping Support - Steel
8	CS710CSP*	Horizontal Coping Support - Plastic Step
9	BPS30DB	Versa Brace Bolt Pack (Qty. to do 30 braces)
10	BP000TS	#12 x 1 Hex Tek Screws - 110/Box



Special features of Cardinal's Stone Coping Support System:

- Manufactured of 14 gauge galvanized steel and can be used on all Cardinal steel pool kits.
- Provides 10" wide base for attachment of stone coping or pavers.
- Weight of coping stones is supported by a channel that is locked into collar.
- Use a pea gravel or small aggregate mix to make finishing easier.
- Eliminates excavation for second bond beam as well as additional concrete deliveries.

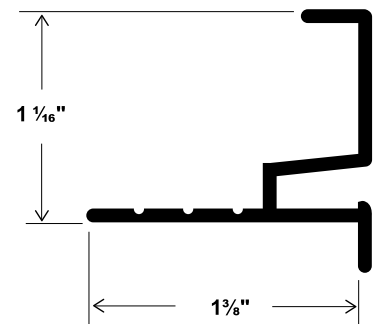
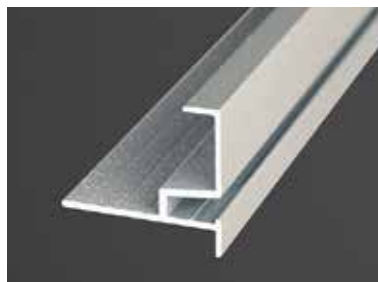


STONE COPING LINER TRACK

SC

CG WOOD RECEIVER COPING	
ITEM NO.	COLOR
SCG	Non-skid gray

The SC comes in 8' straight lengths sold by the piece. The SC is a top mount liner track for Cardinal's stone coping support system and can be notched for custom bending on site. CS710CSP only used for thermo stairs.



WHITE COPING TAPE

WHITE COPING TAPE	
ITEM NO.	DESCRIPTION
VT1500	1 Roll = 2" x 60 yds.



Use to tape off edge of aluminum coping to protect coping from concrete being scratched during screening. Tape comes off without leaving any gummy residue.

VINYL TRIM SEAL

VINYL TRIM SEAL	
ITEM NO.	DESCRIPTION
TS1-120W	White, One 120' Roll
TS1-120G	Gray, One 120' Roll



The TS1 Trim Seal will seal off the top track of the DT Double Top Mount Liner Track after it has been used to lock cantilever deck forms in place during pool constructions.

**Picture is shown using Trim Seal in conjunction with step liner track.*

PAL REPLACEMENT CLIPS

PAL REPLACEMENT CLIPS	
ITEM NO.	DESCRIPTION
PALSTR	1 ½" x 9" For Straight Coping Joints
PALCRN	1 ½" x 10" For Corner Coping Joints



ZINC TEK SCREWS

ZINC TEK SCREWS	
ITEM NO.	DESCRIPTION
BP000TS	110 #12 - 1" Tek Screws

NON-SKID TOUCH-UP PAINT

NON-SKID TOUCH-UP PAINT	
ITEM NO.	DESCRIPTION
CRW-NONSKID	12 Oz. Spray Can Texture White Covers 8-10 Sq Ft
CRG-NONSKID	12 Oz. Spray Can Texture Gray Covers 8-10 Sq Ft
CRDG-NONSKID	12 Oz. Spray Can Texture Dark Gray Covers 8-10 Sq Ft
CRT-NONSKID	12 Oz. Spray Can Texture Tan Covers 8-10 Sq Ft
CRW-QUART	1 Qt. Touch-Up Texture White Covers 50 Sq Ft



CARDINAL VINYL LINERS

STYLISH OPTIONS • RELIABLE QUALITY • CUSTOMIZED FOR YOU

The many advantages and customization of vinyl liners make them a popular and ideal choice for inground pools. All Cardinal Liners are made with precision to meet the exact size specifications of your pool. We offer a variety of patterns and colors to help match the aesthetic of your surrounding landscape. Cleaning, swimming & lounging are comfortable and hassle-free as all Liners are smooth and easy to maintain, unlike the abrasive nature of concrete or tile. Each Liner has ultraviolet inhibitors and antibacterial agents to help ensure a long-lasting life, and is backed by a 25-year limited warranty.

Cardinal Vinyl Liners are not only for new pools, but can be custom-made to fit existing inground and above ground pools as well. For a complete listing of our current Vinyl Liner selections, please refer to our Vinyl Brochure or sample set.



**Please note that although we strive to actively depict our vinyl pool patterns in terms of color and selvage edges, photos are not always exact and may be slightly distorted due to the printing process. It is highly recommended to see a hanger sample containing real swatches of these patterns before placing your order.*



IN-HOUSE CRAFTSMANSHIP FOR UNDENIABLE QUALITY

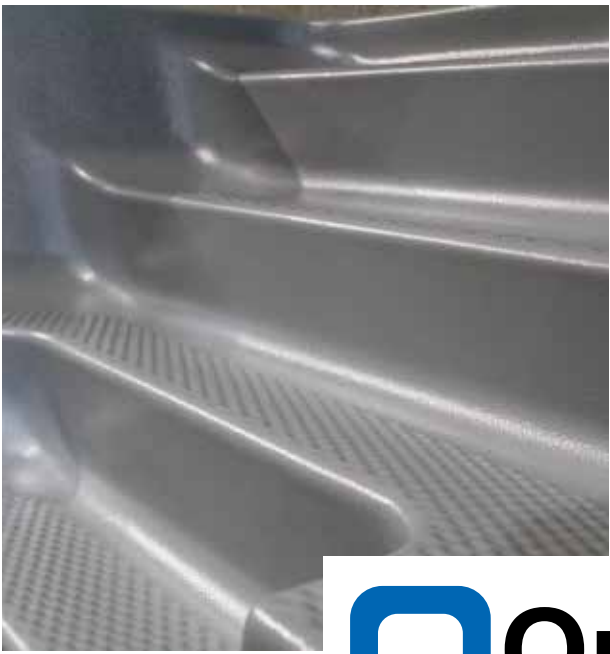
A unique, meticulous process where handcrafted care meets precision machinery in unison to carefully create a perfectly custom liner for any pool. Our Vinyl Liner Shop is every bit as impressive as it sounds, using the latest technology to produce large volumes of vinyl liners every day. Once a liner is chosen and proper pool size and specifications are provided, our Team uses Automated Cutters to essentially “cut out” liner for pieces of the pool. An Air Welder or Radio Frequency Welding is then used to weld the pieces of vinyl together, creating a bond stronger than the vinyl itself.

Once a liner is in its complete form, quality inspection is performed by our highly-skilled and detail-oriented team. The liner is blown-up to mimic an inflated parachute, and inspection takes place underneath from our team by quite literally, getting on their hands and knees to inspect and feel for any holes, cuts, tears, or imperfections. Quality and care for the process lend well to seamless installation for a beautiful liner with the perfect fit for your pool, every time.

THERMOPLASTIC STEPS

Our thermoplastic stairs are flexible, strong, and built to withstand the elements. Not only is the strength built into the stair itself, every stair has a support system which is also set in concrete. The stairs are vacuum-formed from a single piece of ABS. Many shapes and styles are available in our Quaker Step Line, including contour, cantilever, in-wall ladder, leisure bench and corner.

All steps are white with select models available in solid gray.



TLC – TOTAL LINER CARE

Our patented radius corner stair mount face plate is rounded at each bottom corner, attaching with the side face plates for a truly professional look. Smooth corners mean no sharp edges inside the pool, eliminating a possible hazard during liner installation and providing added protection for pool users. When a liner replacement is necessary, face plate screws are easily removed.

PRECISION GROOVED FACEPLATE

The back of the smooth, radius corner Stair Mount Face has been designed with ridges and grooves to ensure a leak-tight seal between the stair gasket and liner. This engineered, leak-tight system has been proven in over 250,000 installations.

COLOR MATCHED PRE-PUNCHED GASKET

Our gasket blends with the stair and liner edge for a beautiful, color matched installation. The pre-punched gasket means an easier, quicker installation and assures that no gasket material will be wedged into the screw hole and cause leakage for a beautiful, color matched installation.

IMPROVED TRIM STRIP

The trim strip, used to conceal the screws, is made from color matched, flexible plastic material. It can be easily pressed into the holding track and easily removed.

PERMANENT DEADEND BLOCK

Both the Quaker Step and Cardinal Step easily adapts to all swimming pools. Our unique Deadend Block design helps ensure watertight installation. A permanent, solid plastic Deadend Block is securely bonded at the factory. This block totally encapsulates all screws, assuring a non-leak installation.

IN-POOL STAIRS
WHITE



QP-0004S
4' 3-tread Straight



QP-0064S
6' 4-tread Straight



QP-0064SC
6' 4-tread Straight Cantilever



QP-0064R
6' 4-tread Radius



QP-0084TS
8' 4-tread Twin Seat/Step Straight

ALSO AVAILABLE:

QP-0064RC
6 ft. 4-tread Radius Cantilever

QP-0085TR
8 ft. 5-tread Twin Seat/Step
Radius 48" High

QP-0085TRC
8 ft. 5-tread Twin Seat/Step
Radius Cantilever 48" High

QP-0085TSC
8 ft. 5-tread Twin Seat/Step
Straight Cantilever 48" High

QP-4063C48
90 Degree 3-tread Corner Twin
Seat/Step Cantilever 48" High



QP-0084TSR
8' 4-tread Twin Seat/Step Radius



QP-0084TSC
8' 4-tread Twin Seat/Step Straight Cantilever



QP-4063C42
6' 3-tread 90° Corner
Twin Seat/Step Cantilever



QP-0084TRC
8' 4-tread Twin Seat/Step Radius Cantilever



QP-1000NR
In-pool Ladder, Without Rails



QP-0006IWS
6' In-wall Seat



QP-0085TS
8' 5-tread Twin Seat/Step
Straight, 48" Wall Height

The color representations have been printed as closely as possible to actual colors, however, actual stair color may vary from photograph.

Please call Customer Service for additional information.

CONTROLLED FLEXIBILITY

All-plastic channels are permanently bonded to the underside of each tread, providing controlled flexibility. These patented, heavy-duty, extra-wide channels mean optimum strength while still allowing the stairs enough flexibility to withstand freezing and thawing.



LOCK DOWN BLEACHER SYSTEM

FAST • EASY • SIMPLE

The entire Lock Down Bleacher System™ is preassembled at the factory so there are no lost nuts or bolts. Stair support posts simply snap down and lock into place.

The molded bottom shoes easily flip to the horizontal position and the stair is ready for installation. Precision-engineered leveling support posts and bottom shoes are permanently hinged at the factory to the Ridg-A-Dized support channel, strategically located under each tread.

Leveling and support posts, along with the support shoes, are pre-drill for rebar. Install rebar through holes, cover with concrete, and stair is ready for final leveling before concrete hardens. No blocks, no nuts or bolts, no make-shift leveling/support methods, no costly labor or materials.

Result: Level stairs with bleacher-type stability, strength, and support.



IN-POOL STAIRS SOLID GRAY



QP-0084TSCG

8' 4-tread Twin Seat/Step Straight Cantilever



QP-4063C42G

6' 3-tread 90° Corner Twin Seat/Step Cantilever



QP-0064SCG

6' 4-tread Straight Cantilever



QP-0084TRCG

8' 4-tread Twin Seat/Step
Radius Cantilever



QP-1000NRG

In-pool Ladder, Without Rails

Photographs may not be representative of color. Actual stair color may vary from photograph.

NEUTRAL POOL TRENDS

Trending nationwide, the use of muted grays and neutral colors as an additional option to the classic white Thermoplastic Steps seems to be a growing desire aesthetically for Homeowners.

Our Solid Gray color option will match well with our solid gray coping, liner bead, darker liner patterns, and additional features offered by Cardinal to complete a pool with a sleek design.

THE BENEFITS

- *Resistance to fading*
(better UV protection in the mold makeup to hold up against years of sun exposure.)
- *Simple maintenance/repair*
(steps are repaired quickly without losing appearance or color.)
- *Material used can be recycled and reused in new models for a more environmentally friendly product*
- *Stronger bonds during forming*
- *TLC Corners*
(hole prevention during liner installation.)



THERMOPLASTIC STAIR PARTS KIT

THERMOPLASTIC STAIR PARTS KIT

STAIR PARTS KIT	
ITEM NO.	DESCRIPTION
H3-6037	Stair Mount Caps (White)
H3-6072	Stair Mount Caps (Gray)
QG-6623-18	18 ft. Trim Cover w/ 2 Corner Pieces (White)
QG-6623G18	18 ft. Trim Cover w/ 2 Corner Pieces (Gray)
Part # Varies	Side Gaskets
Part # Varies	Bottom Gasket
Part # Varies	Bottom Faceplate
Part # Varies	Side Faceplates

Example below is our 8ft. 4-tread Twin Seat/ Step Straight (QP-0084TS). Other step kits are available.*



TLC® TOTAL LINER CARE

Our patented radius corner stair mount face plate is rounded at each bottom corner, connecting with the side face plates for a truly professional look. Smooth corners mean no sharp edges inside the pool, eliminating a possible hazard during liner installation and providing added protection for pool users. When a liner replacement is necessary, face plate screws are easily removed.



PRECISION GROOVED FACEPLATE

The back of the smooth, radius corner Stair Mount Face has been designed with ridges and grooves to ensure a leak-tight seal between the stair gasket and liner. This engineered, leak-tight system has been proven in over 250,000 installations.



COLOR MATCHED PRE-PUNCHED GASKET

Our gasket blends with the stair and liner edge for a beautiful, color matched installation. The pre-punched gasket means an easier, quicker installation and assures that no gasket material will be wedged into the screw hole and cause leakage for a beautiful, color matched installation.



IMPROVED TRIM STRIP

The trim strip, used to conceal the screws, is made from color matched, flexible plastic material. It can be easily pressed into the holding track and easily removed.



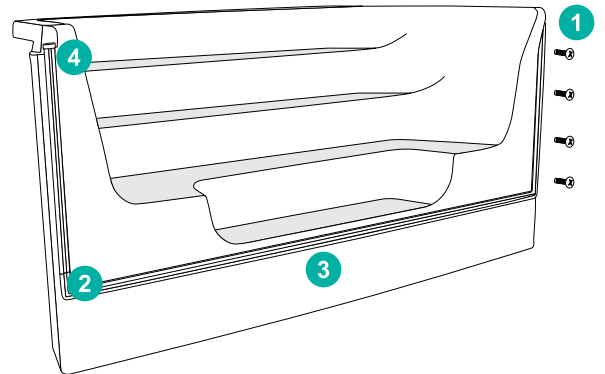
PERMANENT DEADEND BLOCK

The Quaker Stair easily adapts to all swimming pools. Our unique Deadend Block design helps assure watertight installation. A permanent, solid plastic Deadend Block is securely bonded at the factory. This block totally encapsulates all screws, assuring a non-leak installation.



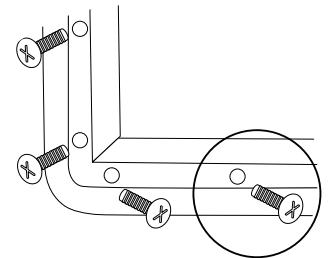
GOODIE BAG

GOODIE BAG	
ITEM NO.	DESCRIPTION
QG-60194	15/16" #10 Stainless Steel Screws - Qty. 50 w/ Stair Mount Caps (W,H3-6037) or (G,H3-6072) - Qty. 2
QG-6623-18	18 ft. Trim Cover, 2 Corner Pieces (White)
QG-6623G18	18 ft. Trim Cover, 2 Corner Pieces (Gray)



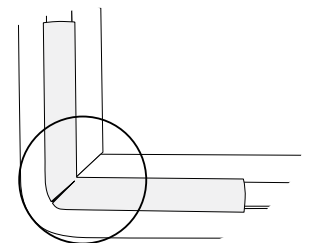
1. STAINLESS STEEL SCREWS

Used to attach faceplates to the steps.



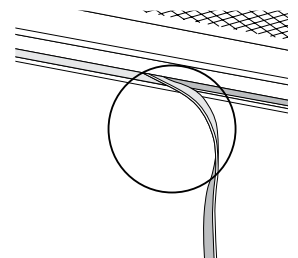
2. TRIM COVER CORNER PIECES

Fits into corners of the holding track on the faceplate. One for each corner.



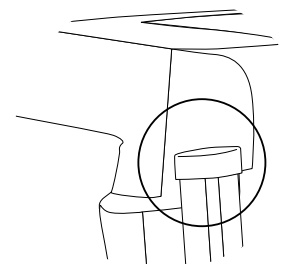
3. TRIM COVER

Fits into holding track of the faceplate to conceal screws.



4. STAIR MOUNT CAPS

Fits on top of the faceplate. One for each side of the step.



A high-angle photograph of a hot tub in a backyard. The hot tub is circular, built into a stone patio, and has several jets. It is surrounded by a stone patio and a swimming pool. A large, curved slide is visible in the background. The text 'CARDINAL LUXURY SPAS' is overlaid on the image.

CARDINAL

LUXURY SPAS

ESCAPE AWAY TO YOUR BACKYARD

for a truly relaxing experience in a Cardinal Luxury Spa. Made with precision and the highest quality product coupled with state-of-the-art features, a spa addition can provide endless rejuvenation all year long. Our Standard and Spill-Over options allow you to choose the function and movement of your outdoor living space. Available in two sleek color variations, a Cardinal Spa is simply an extension of elegance to any pool.

SIT & STAY AWHILE



A Cardinal Spa provides a space to relax and unwind all year long. With features like stainless steel jets, built-in filtration system, adjustable air control, easy-entry steps and more, your spa will not only function properly, but guarantee a truly tranquil and calming experience for any occasion.

For a true staycation destination, allow Cardinal Spas to elevate the luxury and elegance of your backyard. With different jet count options, 2 sophisticated and enticing colors to choose from, and options for Standard or Spill-Over style, you can customize your Spa to tailor to your needs and the layout of your landscape.



LUXURY SPAS

STANDARD (NON-SPILLOVER):

- W17-PMR12SS**
Spa Round 12 Jet, Sterling Silver
- W17-PMS12SS**
Spa Square 12 Jet, Sterling Silver
- W17-PMS25SS**
Spa Square 25 Jet, Sterling Silver
- W17-PMR12SC**
Spa Round 12 Jet, Storm Cloud
- W17-PMR25SC**
Spa Round 25 Jet, Storm Cloud
- W17-PMS25SC**
Spa Square 25 Jet, Storm Cloud

SPILLOVER:

- W17-WFR12SS**
Spa Spillover Round 12 Jet, Sterling Silver
- W17-WFS12SS**
Spa Spillover Square 12 Jet, Sterling Silver
- W17-WFS25SS**
Spa Spillover Square 25 Jet, Sterling Silver
- W17-WFR12SC**
Spa Spillover Round 12 Jet, Storm Cloud
- W17-WFR25SC**
Spa Spillover Round 25 Jet, Storm Cloud
- W17-WFS25SC**
Spa Spillover Square 25 Jet, Storm Cloud



W17-PMR25SS
Spa Round
25 Jet, Sterling Silver

W17-WFR25SS
Spa Spillover Round
25 Jet, Sterling Silver

W17-PMS12SC
Spa Square
12 Jet, Storm Cloud

W17-WFS12SC
Spa Spillover Square
12 Jet, Storm Cloud



The color representations have been printed as closely as possible to actual colors, however, actual spa shell colors may vary from photograph.

SPA FEATURES

Cardinal Luxury Spas are manufactured to the highest quality standards, while state-of-the-art features give you the ultimate experience in relaxation. All Spas are pre-plumbed and water tested for a minimum of 24 hours to ensure a leak-free installation.

	ROUND 12 JET	ROUND 25 JET	SQUARE 12 JET	SQUARE 25 JET
Easy Entry Steps	•	•	•	•
Hydrotherapy Stainless Steel Jets	•	•	•	•
Colors	STERLING SILVER OR STORM CLOUD			
Interior Embossed Wave Detail	•	•	•	•
Adjustable Air Control	•	•	•	•
360-Degree Vortex Skimmer	•	•	•	•
Built-in Filtration	•	•	•	•
Reusable 50 sq.ft. Cartridge Filter	•	•	•	•
Diverter Valve for Whirlpool Action		•		•
Dimensions	85" Round 34" Deep	85" Round 34" Deep	84" Square 34" Deep	84" Square 34" Deep
Optional Covers <i>(please speak with your Cardinal Representative for more details)</i>	•	•	•	•


BUILT-IN FILTRATION

Cardinal Luxury Spas feature a built in 360-degree vortex skimmer with reusable cartridge filter.



HYDROTHERAPY

Cardinal Luxury Spas offer a special grouping of high-powered hydrotherapy jets. These fully adjustable stainless-steel jets offer the finest relaxation and revitalization experience by targeting the entire back and shoulder region.



DECORATIVE BORDER

Cardinal offers Luxury Spas in sterling silver or storm cloud with optional 12 or 25 jet systems. Each color option comes with a decorative border that adds an extra touch of elegance to each spa.



Cardinal Luxury Spas do not meet commercial installation code.



MODERN MOULDING

Modern Moulding is a leading manufacturer of cantilever coping styrofoam forms. The innovative system designed by Modern Moulding can cut hours off installation and cleanup time. With one of our offered coping kits, a standard pool can be set up and ready to pour in as little as one hour. Versatility is provided with a variety of profile designs, as well as installation capabilities for vinyl, fiberglass, and concrete/gunite pools.



BENEFITS:

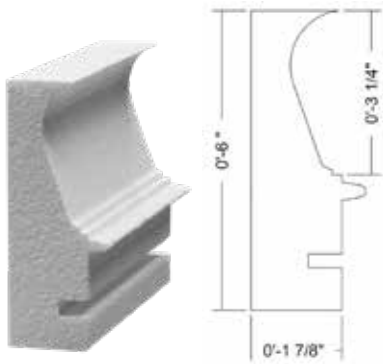
- Forms wedge directly into liner track, leaving track clean of debris
- No two-way tape required
- Easy to install/replace
- Can combine the forms onto existing Cardinal and Quaker shipments at no additional cost
- This system uses reusable lock-in clips to hold the forms in place. These clips have an extended support to keep the forms from tilting when concrete is poured

BRAND NEW for 2024!

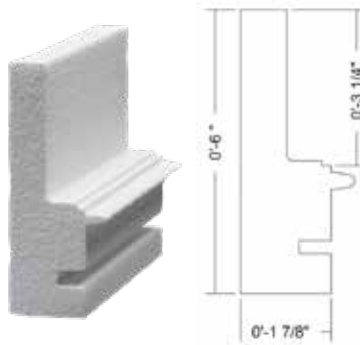


COPING PROFILES FOR VINYL LINER POOLS

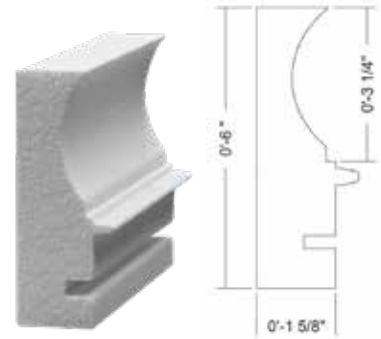
CARDINAL PART NUMBER	DESCRIPTION
CAR-NC	8' STYRO CAPSTONE VINYL LINER- 14/BX
CAR-NC-32	8' STYRO CAPSTONE VINYL LINER- 4/BX
CAR-SQP	8' STYRO SQUARE VINYL LINER- 14/BX
CAR-SQP-32	8' STYRO SQUARE VINYL LINER- 4/BX
CAR-BN	8' STYRO BULLNOSE VINYL LINER- 14/BX
CAR-BN-32	8' STYRO BULLNOSE VINYL LINER- 4/BX
CAR-CRC	8' STYROFOAM VINYL LINER- 14/BX
CAR-CRC-32	8' STYROFOAM VINYL LINER- 4/BX
CAR-ICC-SC	8' STYRO STAMPED CONCRETE VINYL LINER- 14/BX
CAR-ICC-SC-32	8' STYRO STAMPED CONCRETE VINYL LINER- 4/BX



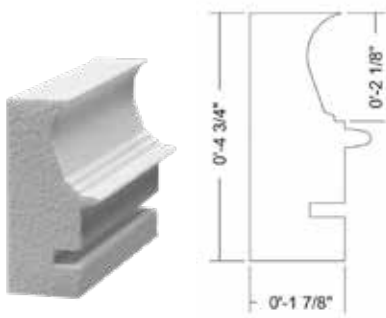
CAR-NC



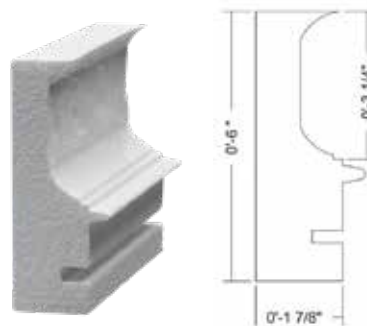
CAR-SQP



CAR-BN



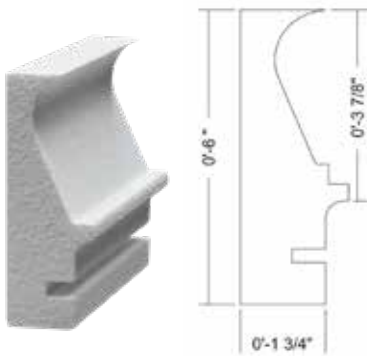
CAR-CRC



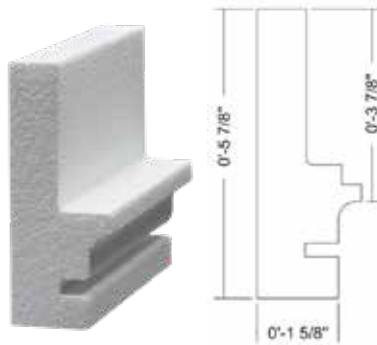
CAR-ICC-SC

COPING PROFILES FOR FIBERGLASS POOLS

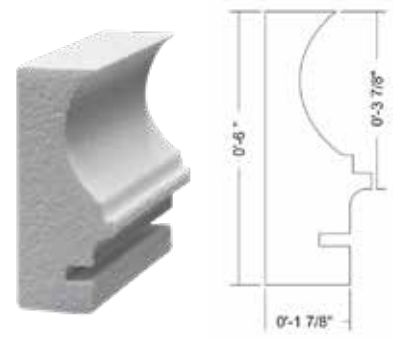
CARDINAL PART NUMBER	DESCRIPTION
CAR-NC-FG	8' STYRO CAPSTONE FIBERGLASS - 14/BX
CAR-NC-FG-32	8' STYRO CAPSTONE FIBERGLASS - 4/BX
CAR-SQP-FG	8' STYRO SQUARE FIBERGLASS - 14/BX
CAR-SQP-FG-32	8' STYRO SQUARE FIBERGLASS - 4/BX
CAR-BN-FG	8' STYRO BULLNOSE FIBERGLASS - 14/BX
CAR-BN-FG-32	8' STYRO BULLNOSE FIBERGLASS - 4/BX
CAR-CRC-FG	8' STYRO COPING FIBERGLASS- 14/BX
CAR-CRC-FG-32	8' STYRO COPING FIBERGLASS- 4/BX
CAR-ICC-SC-FG	8' STYRO FIBERGLASS STAMPED CONCRETE - 14/BX
CAR-ICC-SC-FG-32	8' STYRO FIBERGLASS STAMPED CONCRETE - 4/BX



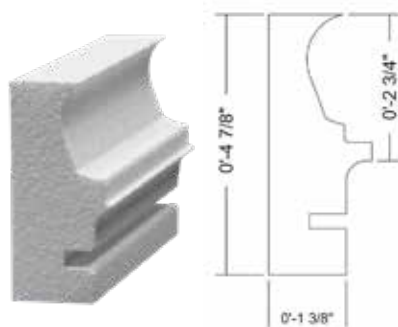
CAR-NC-FG



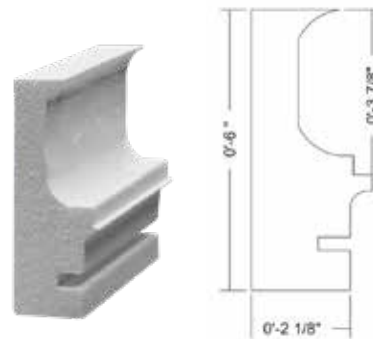
CAR-SQP-FG



CAR-BN-FG



CAR-CRC-FG

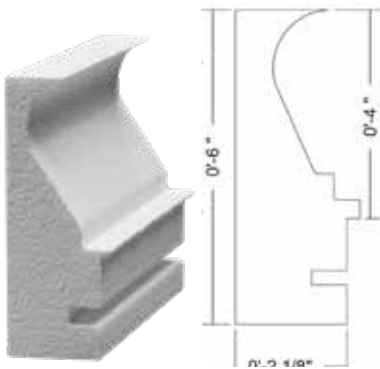


CAR-ICC-SC-FG

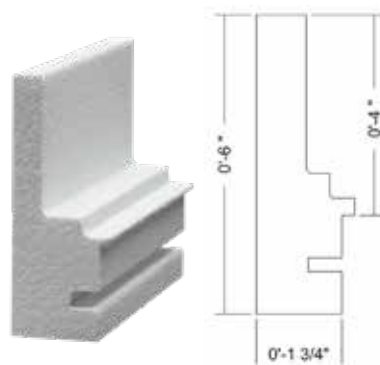
COPING PROFILES

COPING PROFILES FOR CONCRETE/GUNITE POOLS

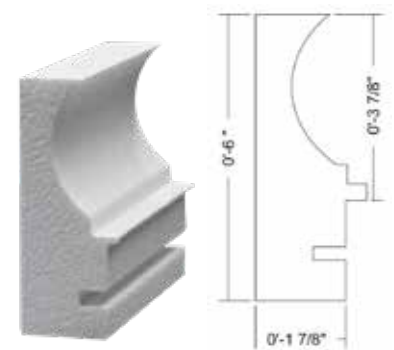
CARDINAL PART NUMBER	DESCRIPTION
CAR-NC-FGWT	8' STYRO CAPSTONE CONCRETE W/TILE- 14/BX
CAR-NC-FGWT-32	8' STYRO CAPSTONE CONCRETE W/TILE- 4/BX
CAR-SQP-FGWT	8' STYRO SQUARE CONCRETE W/TILE- 14/BX
CAR-SQP-FGWT-32	8' STYRO SQUARE CONCRETE W/TILE- 4/BX
CAR-BN-FGWT	8' STYRO BULLNOSE CONCRETE W/TILE- 4/BX
CAR-BN-FGWT-32	8' STYRO BULLNOSE CONCRETE W/TILE- 4/BX
CAR-CRC-FGWT	8' STYRO COPING CONCRETE W/ TILE - 14/BX
CAR-CRC-FGWT-32	8' STYRO COPING CONCRETE W/ TILE - 4/BX
CAR-ICC-SC-FGWT	8' OF STYRO CONCRETE W/ TILE - STAMPED CONCRETE
CAR-ICC-SC-FGWT32	8' OF STYRO CONCRETE W/ TILE - STAMPED CONCRETE



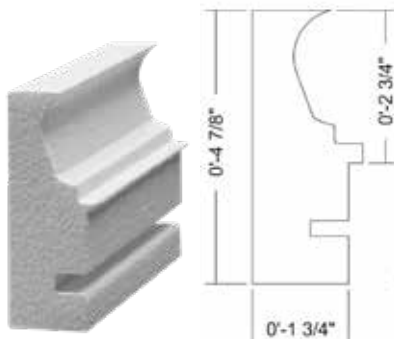
CAR-NC-FGWT



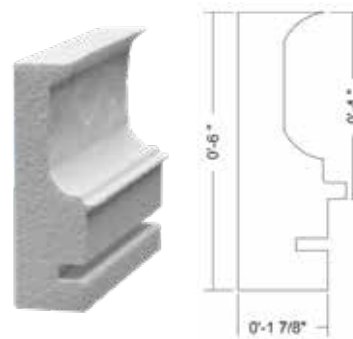
CAR-SQP-FGWT



CAR-BN-FGWT



CAR-CRC-FGWT



CAR-ICC-SC-FGWT

COPING PROFILES FOR A COVERSTAR AUTOMATIC COVER ON A VINYL LINER POOL FOR A FLUSH LID

CARDINAL PART NUMBER	DESCRIPTION
CAR-NC-RC-CS-FL	8' STYRO CAPSTONE COVERSTAR VINYL - 12/BX
CAR-NC-RC-CSFL24	8' STYRO CAPSTONE COVERSTAR VINYL- 3/BX
CAR-SQP-RC-CS-FL	8' STYRO SQUARE COVERSTAR VINYL- 12/BX
CAR-SQP-RC-CSFL24	8' STYRO SQUARE COVERSTAR VINYL- 3/BX
CAR-BN-RC-CS-FL	8' STYRO BULLNOSE COVERSTAR VINYL- 12/BX
CAR-BN-RC-CSFL24	8' STYRO BULLNOSE COVERSTAR VINYL- 3/BX

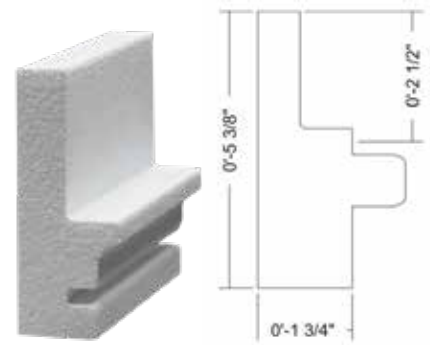
COPING PROFILES FOR COVERSTAR AUTOMATIC COVER ON A FIBERGLASS/GUNITE POOL

CARDINAL PART NUMBER	DESCRIPTION
CAR-NC-RC-FGCSFL	8' STYRO CAPSTONE COVERSTAR FIBERGLASS - 12/BX
CAR-NCRCFGCSFL24	8' STYRO CAPSTONE COVERSTAR FIBERGLASS - 3/BX
CAR-BN-RC-FGCSFL	8' STYRO BULLNOSE COVERSTAR FIBERGLASS - 3/BX
CAR-BNRCFGCSFL24	8' STYRO BULLNOSE COVERSTAR FIBERGLASS - 12/BX
CAR-SQPRCFGCSFL	8' STYRO SQUARE COVERSTAR FIBERGLASS -12/BX
CAR-SQPRCFGCSFL24	8' STYRO SQUARE COVERSTAR FIBERGLASS - 3/BX

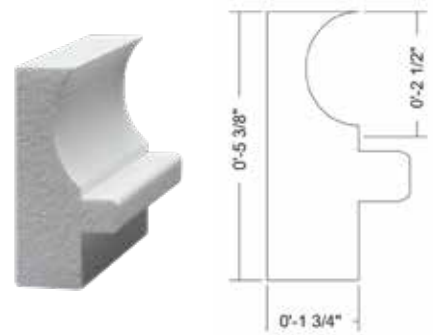
COPING PROFILES

COPING PROFILES FOR A APC AUTOMATIC COVER ON A VINYL LINER POOL FOR A FLUSH LID

CARDINAL PART NUMBER	DESCRIPTION
CAR-SQP-RC-APC	8' STYRO SQUARE APC FLUSH LID 12/BX
CAR-SQP-RC-APC-24	8' STYRO SQUARE APC VINYL FLUSH LID- 3/BX
CAR-BN-RC-APC	8' STYRO BULLNOSE APC VINYL FLUSH LID 12/BX
CAR-BN-RC-APC-24	8' STYRO BULLNOSE APC VINYL FLUSH LID- 3/BX



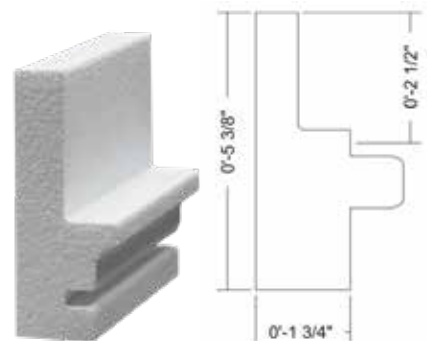
CAR-SQP-RC-APC



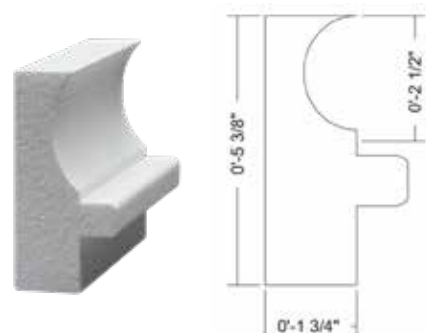
CAR-BN-RC-APC

COPING PROFILES FOR APC AUTOMATIC COVER ON A FIBERGLASS/GUNITE POOL

CARDINAL PART NUMBER	DESCRIPTION
CAR-SQP-RC-FG-APC	8' STYRO SQUARE APC VINYL LINER- 12/BX
CAR-SQPRCFGAPC24	8' STYRO SQUARE APC VINYL LINER- 3/BX
CAR-BN-RC-FG-APC	8' STYRO BULLNOSE APC VINYL LINER- 12/BX
CAR-BN-RC-FGAPC24	8' STYRO BULLNOSE APC VINYL LINER- 3/BX



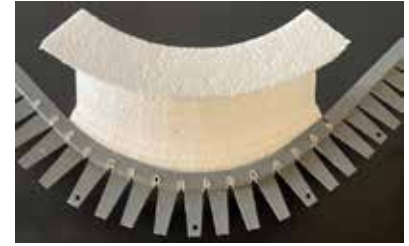
CAR-SQP-RC-FG-APC



CAR-BN-RC-FG-APC

RADIUS CORNERS

CARDINAL PART NUMBER	DESCRIPTION
CAR-NC-6RAD	6" RADIUS CORNER CAPSTONE VINYL 4/BX
CAR-BN-6RAD	6" RADIUS CORNER BULLNOSE VINYL 4/BX
CAR-SQP-6RAD	6" RADIUS CORNER SQUARE VINYL 4/BX



6" radius corners available with all profiles

CLIPS

CARDINAL PART NUMBER	DESCRIPTION
CAR-CC-FG25	CANT CLIPS FIBERGLASS STAIRS - 25/BOX
CAR-CC-FG100	CANT CLIP FIBERGLASS STAIRS - 100/BOX
CAR-CC-FG150	CANT CLIPS FIBERGLASS STAIRS - 150/BOX
CAR-CC	CANT CLIP VINYL LINER 100/BOX
CAR-CC-RC	CANT CLIPS AUTOCOVERS VINYL LINER 100/BOX
CAR-CC-RC-125	CANT CLIPS AUTOCOVERS VINYL LINER 125/BOX
CAR-CC-UB	REUSABLE UNIVERSAL CLIP-BODY 100/BX
CAR-CC-UD	DISPOSABLE UNIVERSAL CLIP- 100/BX



* CAR-CC-UB



CAR-CC



CAR-CC-FG100
CAR-CC-FG150



CAR-CC-RC



* CAR-CC-UD

* Universal 2 pc. System

ACCESSORIES

CARDINAL PART NUMBER	DESCRIPTION
CAR-RG286	FILAMENT TAPE 3"X 180' 16 ROLLS/BOX
CAR-S002	SLIDE HAMMER TOOL - CLIP REMOVER



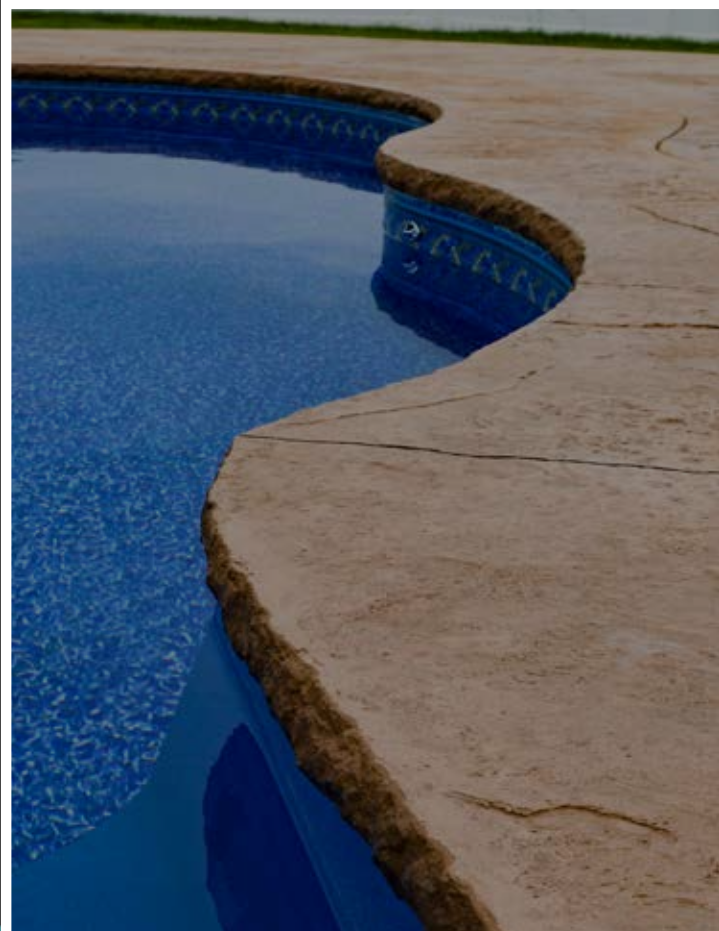
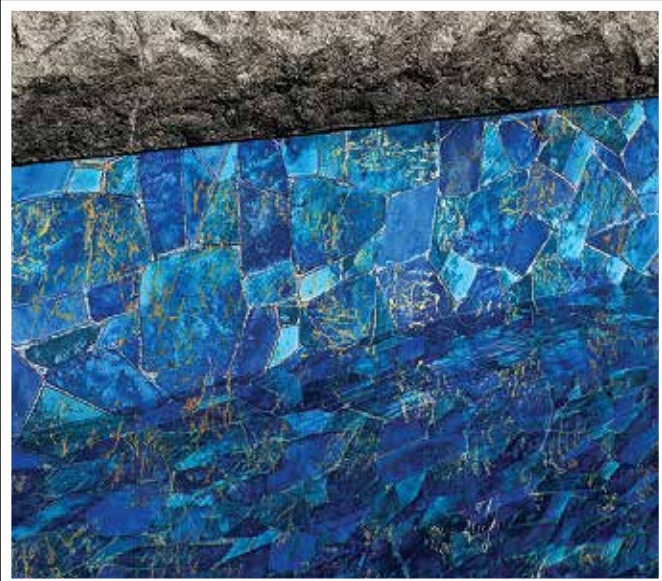
CAR-RG286



CAR-S002

CARDINALPOOLS.COM







A DIVISION OF CARDINAL SYSTEMS, INC.



p: 570.385.4733 | customerservice@cardinalsystemsinc.com | cardinalpools.com

250 Route 61 South, Schuylkill Haven, PA 17972

CS-CATALOG © 2024 Cardinal Systems, Inc.