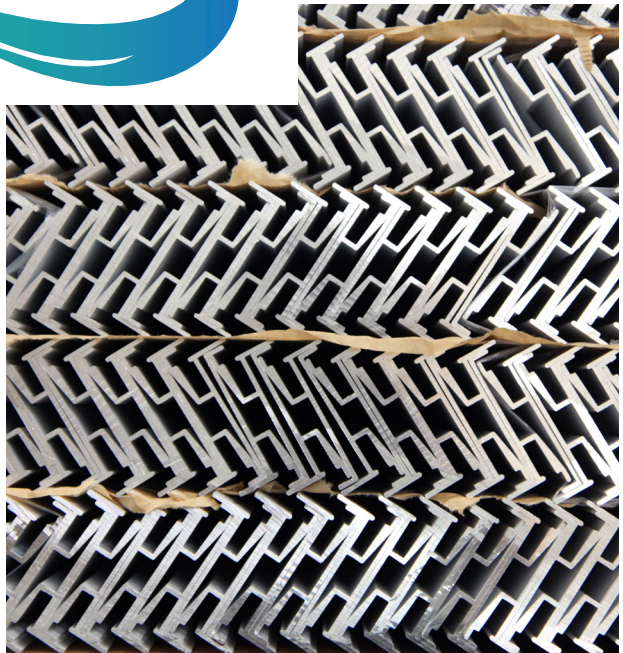




COPING & LINER TRACK

Cardinal uses only the finest quality materials for all its manufacturing, and coping is no exception. Our aluminum coping starts with a 6063 alloy aluminum, which is extruded, then electrostatically-coated with a paint finish that is baked on. Our white, gray, and tan painted aluminum finish is:

- Pretreated with a non-chrome zinc base
- Electrostatic-applied wet polyester paint
- Cured at 350 degrees in aging oven



FABRICATION METHODS

Cut and Weld

Cutting and welding is used to make angled transitions and odd corners that are unable to be bent. A non-bendable coping profile can be cut and welded in segments to create different radii.

Custom Fabrication and Coping Profiles

Cardinal is able to fabricate coping to meet almost any need, from free-form pools to odd plastic step kits to milling for water features. Cardinal has created many proprietary extrusions for customers. If you have a requirement for a custom or proprietary extrusion, please contact our Customer Service Department at 570-385-4733 or via email at customerservice@cardinalsystemsinc.com. We will be happy to discuss a solution for your requirements.

Please Note: If Cardinal coping or liner track is used in conjunction with a salt generator, all warranties from the extruder will be null and void. Cardinal Systems will not be liable for salt generator damage.

COPING INSTALLATION TIPS

Coping Installation

Coping profiles are attached to steel and polymer walls using self-tapping tek screws. Cardinal recommends placing these at intervals no greater than every 18".

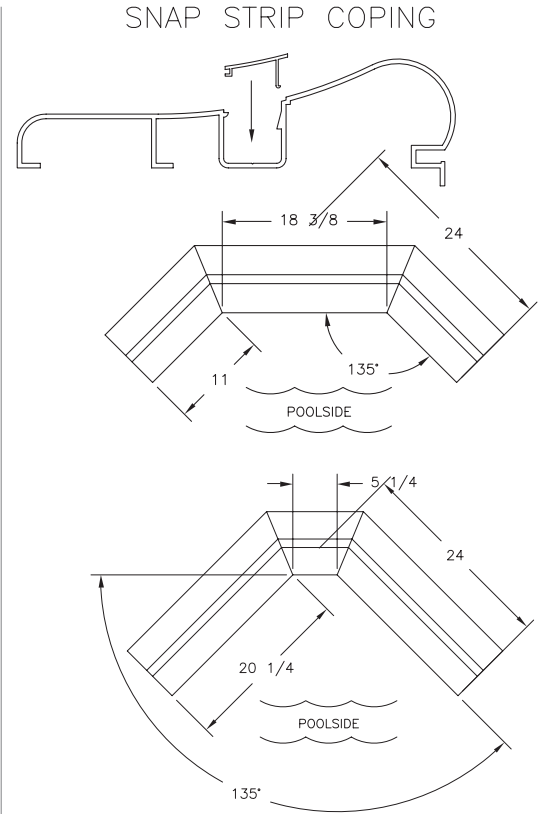
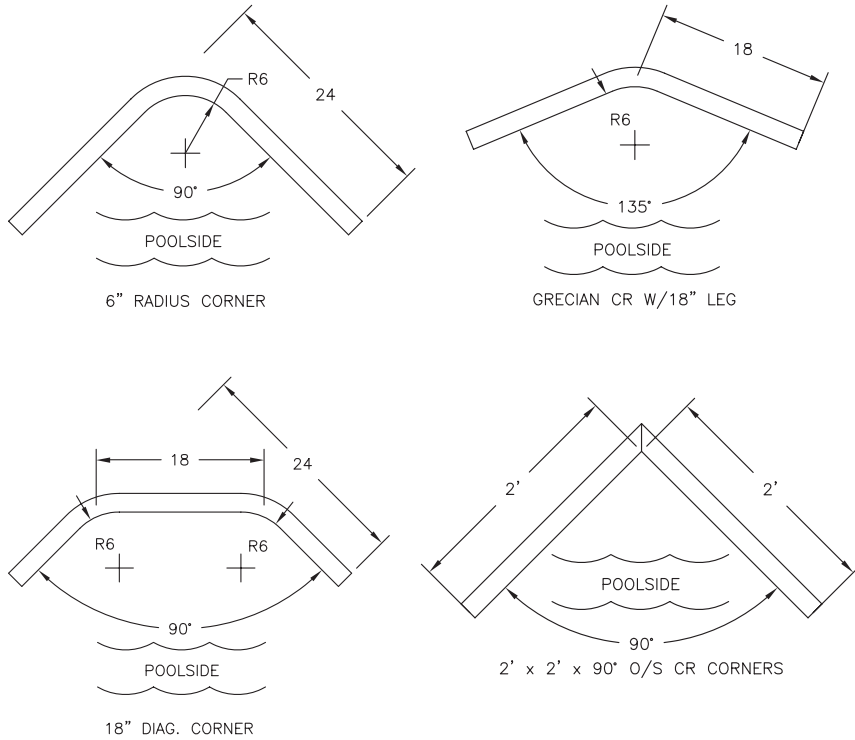
When coping is made for a pool, typically there will be some extra length that will need to be trimmed in the field. This is the best way to ensure a proper fit for each job. Though a hack saw will cut through most aluminum extrusions, Cardinal recommends using a miter saw, outfitted with an aluminum cutting blade for the most professional results. Coping profiles that form the finished edge of the pool, such as bullnose coping, will require coping clips to cover the joint between each piece of coping.

Bonding

Because Cardinal's coping is made from aluminum, it will need to be properly bonded. Follow your federal, state, and local electrical codes to be sure that coping is properly bonded.

COPING CORNER LENGTHS INSTALLATION

Shown below are corner lengths and dimensions.



COLOR GUIDE



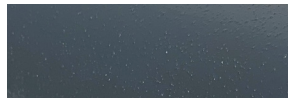
NON-SKID WHITE



NON-SKID GRAY

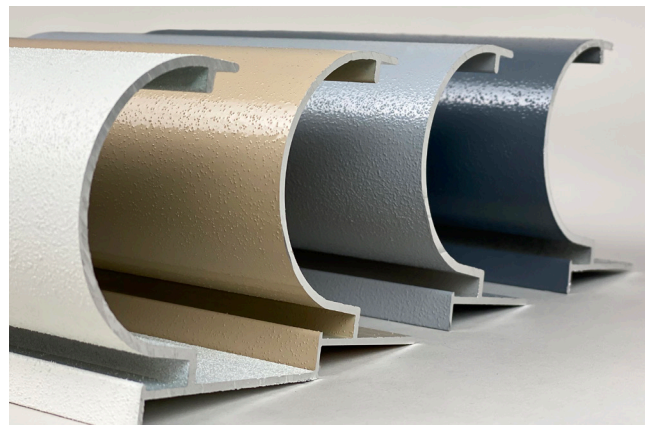


NON-SKID TAN



NON-SKID DARK GRAY

The color representations have been printed as closely as possible to actual colors, however, product color may vary from photograph.



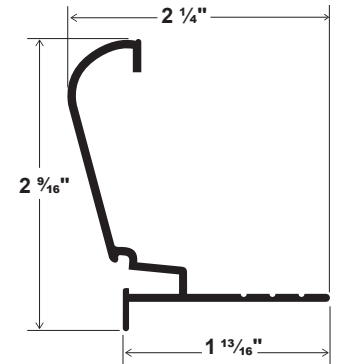
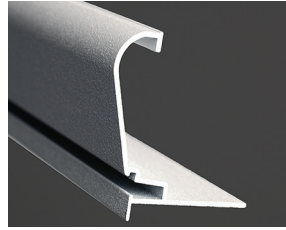
BULLNOSE COPING

PC

PC BULLNOSE COPING	
ITEM NO.	COLOR
PCW	Non-skid white
PCG	Non-skid gray

The PC has a flat bullnose profile and is similar to Pacific style coping.

Straights: 8' and 12' Lengths
Radius: 4', 6', and 8' Lengths

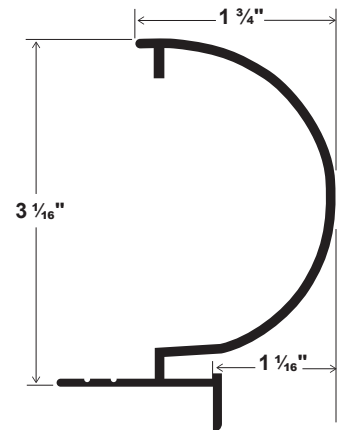
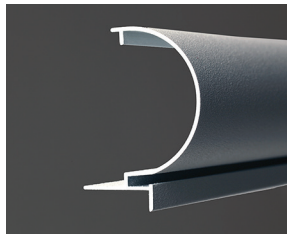


CB

CB BULLNOSE COPING	
ITEM NO.	COLOR
CBW	Non-skid white

The CB coping has 3" profile and is similar in height to the original Helder style coping.

Straights: 8' and 12' Lengths
Radius: 4', 6', and 8' Lengths



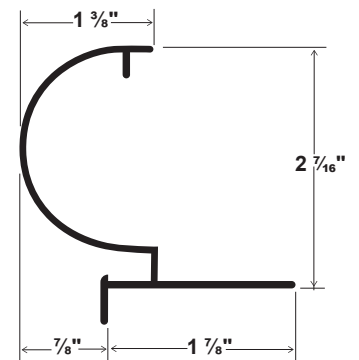
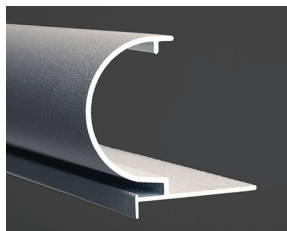
CR

This coping is also referred as "CP2".

CR BULLNOSE COPING	
ITEM NO.	COLOR
CRW	Non-skid white
CRG	Non-skid gray
CRT	Non-skid tan
CRDG	Non-skid dark gray

The CR is designed with a longer lip on the straight pieces, allowing the builder to place TEK screws farther from the liner track.

CRW - Straights: 8' and 12' Lengths
CRG, CRT & CRDG - Straights: 8' Length
All Radius: 4', 6', and 8' Lengths



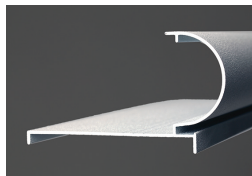
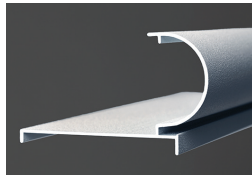
We recommend using a bead roller to help lock liner bead into the liner receiver on all our liner tracks and coping.

BULLNOSE COPING

CAP LOCK COPING

CP/C4

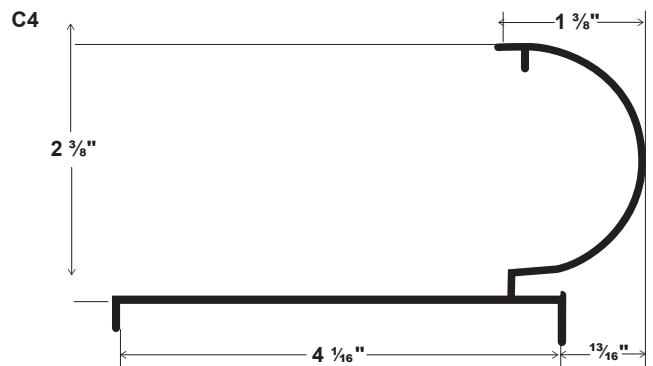
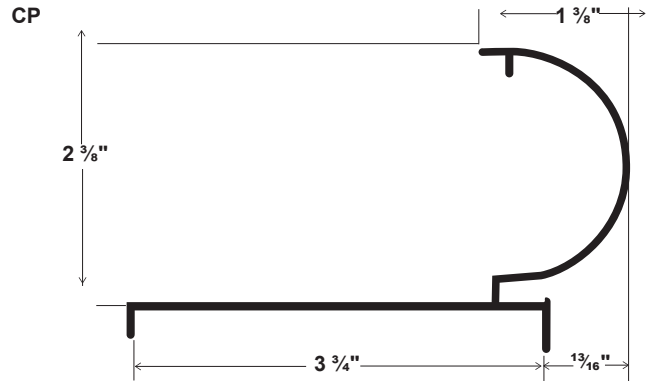
CP/C4 BULLNOSE COPING	
ITEM NO.	COLOR
CPW	Non-skid white
C4W	Non-skid white



The CP fits 3 3/4" flange polymer panels. The C4 fits 4" flange polymer panels. CPW is for Polymer Wall pools.

CPW - Straights: 8' and 12' Lengths

C4W - Straights: 12' Lengths



CP and C4 may be combined with the CR coping profiles to build corners and radius curves.



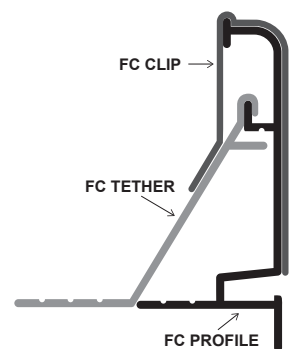
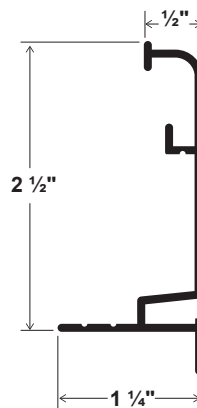
FC

FC BULLNOSE COPING	
ITEM NO.	COLOR
FCW	Non-skid white
FCG	Non-skid gray



The FC is the only Bullnose Coping that can be bent in the field. This will allow for less SKUs and is available in notched. Clips and tethers support brace are sold separately.

8' Lengths



*Tethers are recommended every 2' and at joints.

Flex coping is not recommended for corners 2' rad or smaller.



TOP MOUNT

All liner track is made from heavy-duty, aluminum extrusion that is electrostatically coated.

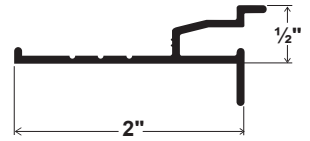
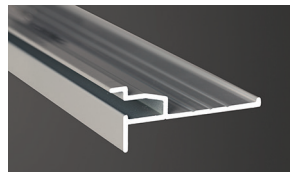
Custom Fabrication: Can be bent to fit any shape, including standard 6", 2', or 4' radius, Grecian corners, and steps. Ask about fabrication for other corner shapes.

Available in 8 ft. lengths only.

15 or 25 per case.

T2

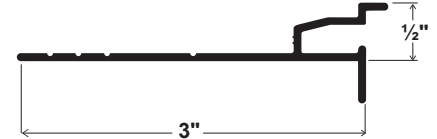
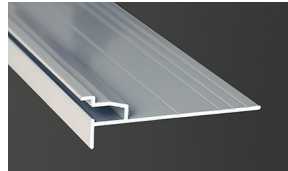
T2 TOP MOUNT TRACK	
ITEM NO.	COLOR
T2W	white
T2G	gray



2" Top Mount Track is used for steel, polymer and concrete wall pools. The T2 is available in notched or straight lengths.

T3

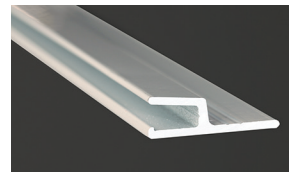
T3 TOP MOUNT TRACK	
ITEM NO.	COLOR
T3W	white



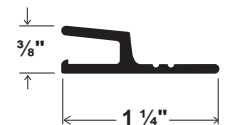
3" Top Mount Track is used for steel, polymer and concrete wall pools. The T3 is available in notched or straight lengths.

HZ

HZ TOP MOUNT TRACK	
ITEM NO.	COLOR
HZW	white
HZG	gray



• HZ TRACK IS THE ONLY TRACK TO USE WITH CARDINAL Z-POOLFORM!



HZ Top Mount Track is used for steel and polymer wall pools. The HZ is available in notched or rollbent.



All of our liner tracks are available in standard and custom notched lengths for free-form pools and radius corners.

LINER TRACK

SIDE MOUNT

All liner track is made from heavy-duty, aluminum extrusion that is electrostatically coated. Angled side mount track for reducing gap under old coping. Available in **WHITE** only.

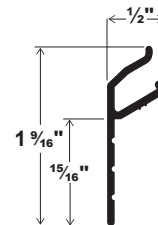
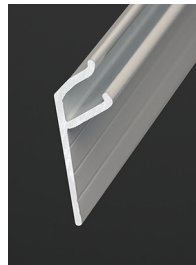
Available in 8 ft. lengths only.
15 or 25 per case.

AS

AS SIDE MOUNT TRACK	
ITEM NO.	COLOR
ASW	white

The AS is available in 8' straight, 8' notched and 6" radius notched lengths. White only. The AS is designed to fit snugly under old pool coping, eliminating the gap other side mount tracks leave between coping and receiver track.

1. Turned-up lip reduces gap opening under old coping.
2. Includes nail and screw guides.
3. Angled receiver secures liner bead to prevent slipping.
4. Longer length allows more area to attach to wall.



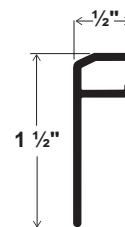
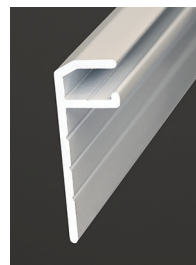
SM

SM SIDE MOUNT TRACK	
ITEM NO.	COLOR
SMW	white

The SM is available in 8' straight, 8' notched and 6" radius notched lengths. White only. For radius and free-form pools, use SM, a notched track that can be bent to conform to almost any radius.

This side mount track has these improved features:

1. Receiver area shortened 1/8" to bring liner closer to pool wall.
2. More screw guides to keep self-drilling screws from wandering when drilling through mounting flange to pool wall.
3. Longer mounting flange for easier attachment to different types of pool wall.

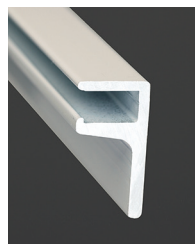


VT

SM SIDE MOUNT TRACK	
ITEM NO.	COLOR
VTW	white

The VT is available in white only. It can be bent to fit any shape, including standard 6", 2' or 4' radius and Grecian corners as well as steps.

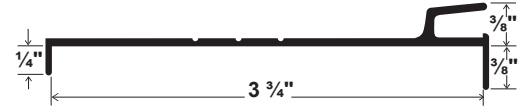
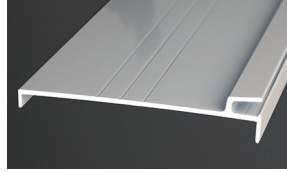
The VT can be roll-bent at the factory for almost any shape free-form pool. This profile can also be bent on-site without being notched to fit most radii, down to 2' radius.



CAP LOCK

HC

HC CAP LOCK	
ITEM NO.	COLOR
HCW	white

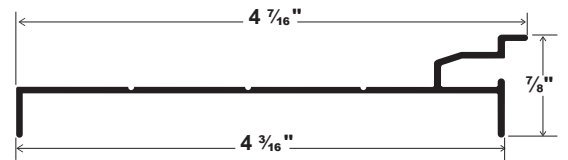
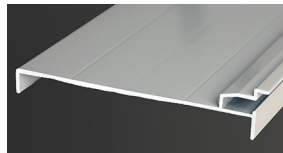


The HC is available in white only and comes in 8' straight lengths in counts of 15 pieces per box. The HZ series can be used with the HC to make corners. HC Cap Lock Liner Track is used for polymer wall pools.

1. Liner bead receiver specially designed to ensure positive lock-in.
2. Screw Guides.
3. Designed to fit any pool with a 3 3/4" wide top flange.
4. Holds polymer pool walls straight.
5. Front and rear flanges to lock on pool wall.

T4

T4 CAP LOCK	
ITEM NO.	COLOR
T4W	white



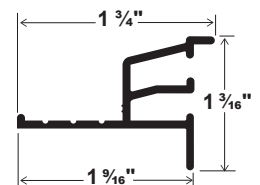
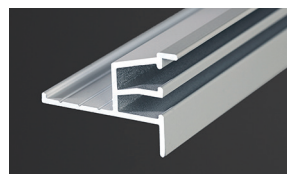
The T4 is available in white only and comes in 12' straight lengths in counts of ten pieces per box. The T2 notched can be used with the T4 to make corners. T4 Cap Lock Liner Track is used for polymer wall pools.

1. Liner bead receiver specially designed to ensure positive lock-in.
2. Screw Guides.
3. Designed to fit any pool with a 4" wide top flange.
4. Holds polymer pool walls straight.
5. Front and rear flanges to lock on pool wall.

DOUBLE TRACK

DT

DT DOUBLE TRACK	
ITEM NO.	COLOR
DTW	white
DTG	gray



The DT is available in white or gray and comes in 8' straight or notched lengths in counts of 15 pieces per box.

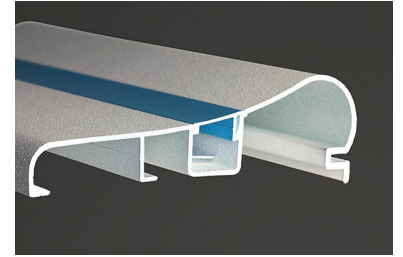
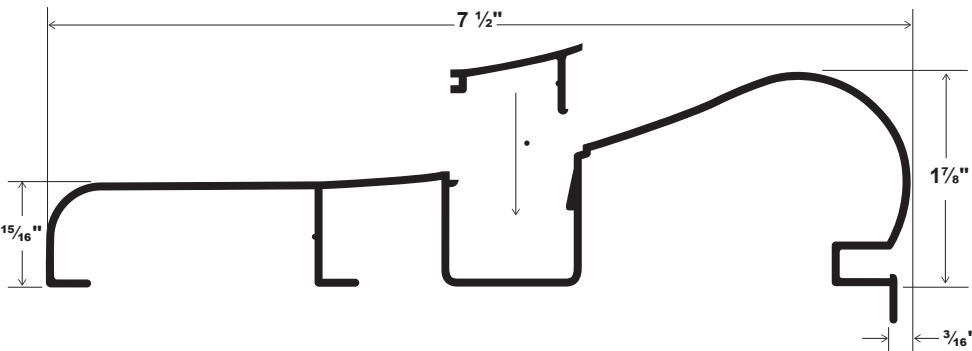
SPECIALTY PROFILES

SNAP STRIP COPING

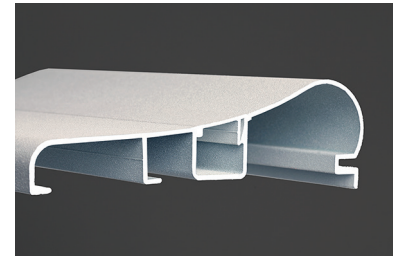
SS

SNAP STRIP COPING	
ITEM NO.	COLOR
SSW	Non-skid white/white inserts
SSB	Non-skid white/blue inserts

The SS comes in 12' and 16' straight lengths in counts of 1 or 2 pieces. The SS comes in standard configurations for most rectangular pools including an 18" diagonal, 6" radius, 90°, and 135° Grecian corners. Other sizes can be cut and welded to fit many curves, including reverse 6" radius, 270°, 4' corners, and full radius ends for oval pools. The SS (Snap Strip Copping) is an ideal coping for pool renovations.



Shown with blue insert



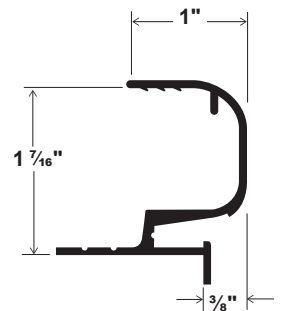
Shown with white insert

WOOD RECEIVER COPING

CG

CG WOOD RECEIVER COPING	
ITEM NO.	COLOR
CGW	Non-skid white

The CG comes in 12' straight lengths in counts of 6 pieces. The CG is designed to receive standard 1 1/4" (5/4" board) decking and is popular for on-ground pools or pools surrounded by wooden decks. Cut and welded corners only.



Lengths can be cut for UPS shipping.

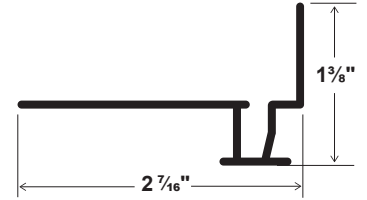


CONCRETE LINER TRACK

CC

CC LINER TRACK	
ITEM NO.	COLOR
CCW	white

The CC is available in white only and comes in 8' straight lengths, 15 pieces per case. Used for concrete step applications.

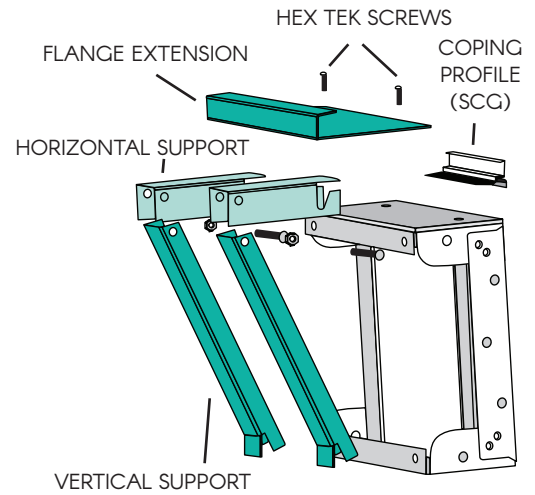


SPECIALTY PROFILES

STONE COPING SUPPORT SYSTEM

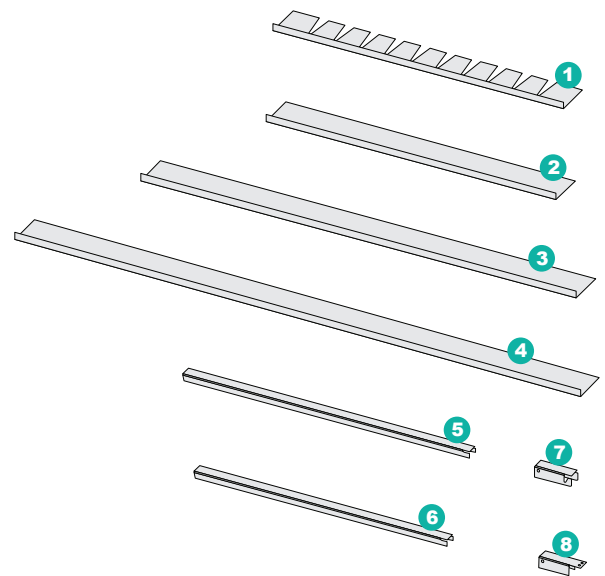
* not recommended for Polymer Pools

STONE COPING SUPPORT SYSTEM COMPONENTS		
ITEM NO.	PART NUMBER	DESCRIPTION
1	CS748EXR	4' Radius Coping Support Shelf
2	CS748EX	4' Straight Coping Support Shelf
3	CS772EX	6' Straight Coping Support Shelf
4	CS796EX	8' Straight Coping Support Shelf
5	CS748CL	Vertical Coping Support - 48" high
6	CS710CL	Vertical Coping Support - 42" high
7	CS710CS	Horizontal Coping Support - Steel
8	CS710CSP*	Horizontal Coping Support - Plastic Step
9	BPS30DB	Versa Brace Bolt Pack (Qty. to do 30 braces)
10	BP000TS	#12 x 1 Hex Tek Screws - 110/Box



Special features of Cardinal's Stone Coping Support System:

- Manufactured of 14 gauge galvanized steel and can be used on all Cardinal steel pool kits.
- Provides 10" wide base for attachment of stone coping or pavers.
- Weight of coping stones is supported by a channel that is locked into collar.
- Use a pea gravel or small aggregate mix to make finishing easier.
- Eliminates excavation for second bond beam as well as additional concrete deliveries.

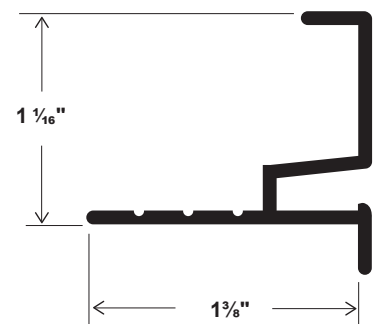
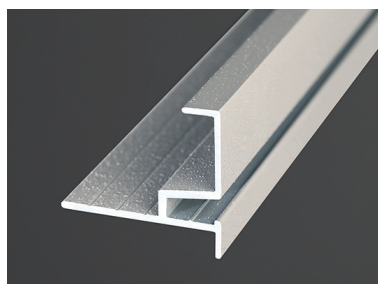


STONE COPING LINER TRACK

SC

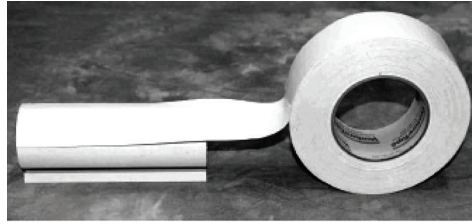
CG WOOD RECEIVER COPING	
ITEM NO.	COLOR
SCG	Non-skid gray

The SC comes in 8' straight lengths sold by the piece. The SC is a top mount liner track for Cardinal's stone coping support system and can be notched for custom bending on site. CS710CSP only used for thermo stairs.



WHITE COPING TAPE

WHITE COPING TAPE	
ITEM NO.	DESCRIPTION
VT1500	1 Roll = 2" x 60 yds.



Use to tape off edge of aluminum coping to protect coping from concrete being scratched during screening. Tape comes off without leaving any gummy residue.

VINYL TRIM SEAL

VINYL TRIM SEAL	
ITEM NO.	DESCRIPTION
TS1-120W	White, One 120' Roll
TS1-120G	Gray, One 120' Roll



The TS1 Trim Seal will seal off the top track of the DT Double Top Mount Liner Track after it has been used to lock cantilever deck forms in place during pool constructions.

**Picture is shown using Trim Seal in conjunction with step liner track.*

PAL REPLACEMENT CLIPS

PAL REPLACEMENT CLIPS	
ITEM NO.	DESCRIPTION
PALSTR	1 1/2" x 9" For Straight Coping Joints
PALCRN	1 1/2" x 10" For Corner Coping Joints



ZINC TEK SCREWS

ZINC TEK SCREWS	
ITEM NO.	DESCRIPTION
BP000TS	110 #12 - 1" Tek Screws

NON-SKID TOUCH-UP PAINT

NON-SKID TOUCH-UP PAINT	
ITEM NO.	DESCRIPTION
CRW-NONSKID	12 Oz. Spray Can Texture White Covers 8-10 Sq Ft
CRG-NONSKID	12 Oz. Spray Can Texture Gray Covers 8-10 Sq Ft
CRDG-NONSKID	12 Oz. Spray Can Texture Dark Gray Covers 8-10 Sq Ft
CRT-NONSKID	12 Oz. Spray Can Texture Tan Covers 8-10 Sq Ft
CRW-QUART	1 Qt. Touch-Up Texture White Covers 50 Sq Ft

